

myprojectorlamps.com

**The most trusted, dependable name
in projector lamp sales.**



<http://www.myprojectorlamps.com>



<http://www.myprojectorlamps.ca>



<http://www.myprojectorlamps.eu>

The following projector manual has not been modified or altered in any way.

ViewSonic®

PJ658D DLP Projector



ViewSonic®

- User Guide

- 使用手冊 (繁體)

- 使用手冊 (簡體)

Model No. : VS11454

Compliance Information

For U.S.A.

This device complies with part 15 of FCC Rules. Operation is subject to the following two conditions: (1) this device may not cause harmful interference, and (2) this device must accept any interference received, including interference that may cause undesired operation. This equipment has been tested and found to comply with the limits for a Class B digital device, pursuant to part 15 of the FCC Rules. These limits are designed to provide reasonable protection against harmful interference in a residential installation. This equipment generates, uses, and can radiate radio frequency energy, and if not installed and used in accordance with the instructions, may cause harmful interference to radio communications. However, there is no guarantee that interference will not occur in a particular installation. If this equipment does cause harmful interference to radio or television reception, which can be determined by turning the equipment off and on, the user is encouraged to try to correct the interference by one or more of the following measures:

- Reorient or relocate the receiving antenna.
- Increase the separation between the equipment and receiver.
- Connect the equipment into an outlet on a circuit different from that to which the receiver is connected.
- Consult the dealer or an experienced radio/TV technician for help.

Warning: You are cautioned that changes or modifications not expressly approved by the party responsible for compliance could void your authority to operate the equipment.

For Canada

- This Class B digital apparatus complies with Canadian ICES-003.
- Cet appareil numérique de la classe B est conforme à la norme NMB-003 du Canada.

CE Conformity for European Countries



The device complies with the requirements of the EEC directive 89/336/EEC as amended by 92/31/EEC and 93/68/EEC Art.5 with regard to “Electromagnetic compatibility”, and 73/23/EEC as amended by 93/68/EEC Art.13 with regard to “Safety.”


Following information is only for EU-member states:

The mark shown to the right is in compliance with the Waste Electrical and Electronic Equipment Directive 2002/96/EC (WEEE).

The mark indicates the requirement NOT to dispose the equipment as unsorted municipal waste, but use the return and collection systems according to local law.



Important Safety Instructions

1. Read these instructions completely before using the equipment.
2. Keep these instructions in a safe place.
3. Heed all warnings.
4. Follow all instructions.
5. Do not use this equipment near water. Warning: To reduce the risk of fire or electric shock, do not expose this apparatus to rain or moisture.
6. Clean with a soft, dry cloth. If further cleaning is required, see “Cleaning the Display” in this guide for further instructions.
7. Do not block any ventilation openings. Install the equipment in accordance with the manufacturer’s instructions.
8. Do not install near any heat sources such as radiators, heat registers, stoves, or other devices (including amplifiers) that produce heat.
9. Do not attempt to circumvent the safety provisions of the polarized or grounding-type plug. A polarized plug has two blades with one wider than the other. A grounding type plug has two blades and a third grounding prong. The wide blade and the third prong are provided for your safety. If the plug does not fit into your outlet, consult an electrician for replacement of the outlet.
10. Protect the power cord from being tread upon or pinched, particularly at the plug, and the point where it emerges from the equipment. Be sure that the power outlet is located near the equipment so that it is easily accessible.
11. Only use attachments/accessories specified by the manufacturer.
12. Use only with the cart, stand, tripod, bracket, or table specified by the manufacturer, or sold with the equipment. When a cart is used, use caution when moving the cart/equipment combination to avoid injury from tipping over. 
13. Unplug this equipment when it will be unused for long periods of time.
14. Refer all servicing to qualified service personnel. Service is required when the unit has been damaged in any way, such as: if the power-supply cord or plug is damaged, if liquid is spilled onto or objects fall into the unit, if the unit is exposed to rain or moisture, or if the unit does not operate normally or has been dropped.

Declaration of RoHS Compliance

This product has been designed and manufactured in compliance with Directive 2002/95/EC of the European Parliament and the Council on restriction of the use of certain hazardous substances in electrical and electronic equipment (RoHS Directive) and is deemed to comply with the maximum concentration values issued by the European Technical Adaptation Committee (TAC) as shown below:

Substance	Proposed Maximum Concentration	Actual Concentration
Lead (Pb)	0.1%	< 0.1%
Mercury (Hg)	0.1%	< 0.1%
Cadmium (Cd)	0.01%	< 0.01%
Hexavalent Chromium (Cr ⁶⁺)	0.1%	< 0.1%
Polybrominated biphenyls (PBB)	0.1%	< 0.1%
Polybrominated diphenyl ethers (PBDE)	0.1%	< 0.1%

Certain components of products as stated above are exempted under the Annex of the RoHS Directives as noted below:

Examples of exempted components are:

1. Mercury in compact fluorescent lamps not exceeding 5 mg per lamp and in other lamps not specifically mentioned in the Annex of RoHS Directive.
2. Lead in glass of cathode ray tubes, electronic components, fluorescent tubes, and electronic ceramic parts (e.g. piezoelectronic devices).
3. Lead in high temperature type solders (i.e. lead-based alloys containing 85% by weight or more lead).
4. Lead as an alloying element in steel containing up to 0.35% lead by weight, aluminium containing up to 0.4% lead by weight and as a copper alloy containing up to 4% lead by weight.

Copyright Information

Copyright © ViewSonic® Corporation, 2007. All rights reserved.

Macintosh and Power Macintosh are registered trademarks of Apple Computer, Inc.

Microsoft, Windows, Windows NT, and the Windows logo are registered trademarks of Microsoft Corporation in the United States and other countries.

ViewSonic, the three birds' logo, OnView, ViewMatch, and ViewMeter are registered trademarks of ViewSonic Corporation.

VESA is a registered trademark of the Video Electronics Standards Association. DPMS and DDC are trademarks of VESA.

PS/2, VGA and XGA are registered trademarks of International Business Machines Corporation.

Disclaimer: ViewSonic Corporation shall not be liable for technical or editorial errors or omissions contained herein; nor for incidental or consequential damages resulting from furnishing this material, or the performance or use of this product.

In the interest of continuing product improvement, ViewSonic Corporation reserves the right to change product specifications without notice. Information in this document may change without notice.

No part of this document may be copied, reproduced, or transmitted by any means, for any purpose without prior written permission from ViewSonic Corporation.

Product Registration

To meet your future needs, and to receive any additional product information as it becomes available, please register your product on the Internet at: www.viewsonic.com. The ViewSonic Wizard CD-ROM also provides an opportunity for you to print the registration form, which you may mail or fax to ViewSonic.

For Your Records

Product Name:	PJ658D ViewSonic DLP Projector
Model Number:	VS11454
Document Number:	PJ658D-1_UG_ENG Rev. 1C 02-27-07
Serial Number:	_____
Purchase Date:	_____



The lamp in this product contains mercury.

Please dispose of in accordance with local, state or federal laws.

Safety Instructions

Read all of these instructions before you operate your projector and save for future reference.

1. Check that the operating voltage of your unit is identical with the voltage of your local power supply.

2. Should any liquid or solid object fall into the cabinet, unplug the unit and have it checked by the qualified personnel before operating it further.

3. Do not attempt to service this product yourself, as opening or removing covers may damage the components inside and will void your warranty.

4. Do not place this product on an unstable cart, stand, or table. The product may fall, causing serious damage to the product.

5. Unplug the unit from the wall socket if it is not to be used for several days. To disconnect the cord, pull it out by the plug. Never pull the cord itself.

6. The wall socket should be near the unit and easily accessible.

7. Do not place the projector where the cord can be stepped on as this may result in fraying or damage to the lead or the plug. Be alert to tripping hazards.

8. Never look into the projector lens when the lamp is switched on as the bright light can damage your eyes. Never let children look into the lens when it is on.

9. Do not place your hand or objects near the ventilation holes. The air coming out is hot.

10. Never open any covers on the projector except the lamp cover. Dangerous electrical voltages inside the projector can cause severe injury. Except as specifically directed in this User's Manual, do not attempt to service this product yourself. Refer all servicing to qualified service personnel.

11. Unplug the projector from the wall socket before cleaning. Use a damp cloth for cleaning the projector housing. Do not use liquid or aerosol cleaners.

12. Keep the plastic packing materials (from the projector, accessories and optional parts) out of the reach of children as these bags may result in death by suffocation. Be particularly careful around the small children.



13. For ventilation reasons, the fan continues to operate after the projector has been powered off. Please do not unplug the power cord until the fan stops.

14. The projector is equipped with ventilation holes (intake) and ventilation holes (exhaust). Do not block or place anything near these slots, or internal heat build-up may occur, causing picture degradation or damage to the projector.

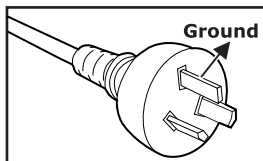
15. When you replace the projector lamp, never touch the new bulb with your bare hands. The invisible residue left by the oil on your hands may shorten the bulb life. Use lint-free gloves or finger cots are recommended.

16. The product should be situated away from heat sources such as radiators, heat registers, stoves, or other products (including amplifiers) that produce heat.

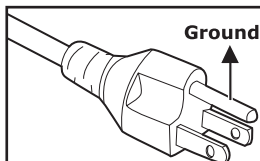
17. Do not overload wall outlets, extension cords, or integral convenience receptacles as this can result in a risk of fire or electric shock.

Notes on AC Power Cord

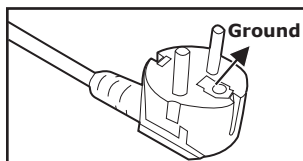
AC Power Cord must meet requirement of country where you use a projector. Confirm an AC plug type with graphics below and proper AC Power Cord must be used. If supplied AC Power Cord does not match your AC outlet, contact your sales dealer. This projector is equipped with a grounding type AC line plug. Make sure that your outlet fits the plug. Do not defeat the safety purpose of this grounding type plug. We highly recommend using a video source device also equipped with a grounding type AC line plug to prevent from signal interference due to voltage fluctuation.



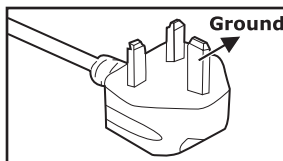
For Australia and
Mainland China



For the U.S.A. and Canada



For Continental Europe



For the U.K.



CONTENTS

- Introduction 5
 - Projector Features 5
 - Package Contents 6
 - Projector Overview 7
- Using the Product 9
 - Control Panel 9
 - Connection Ports 10
 - Remote Control 11
 - Installing the Batteries 12
 - Remote Control Operation 13
- Installation 14
 - Connecting the Projector 14
 - Powering On/Off the Projector 15
 - Adjusting the Projected Image 17
 - Adjusting the Projector Zoom and Focus 18
 - Adjusting Projection Image Size 18
- Menu Operation 21
 - All Images (Computer / Video Mode) 23
 - Computer Image (Computer Mode) 24
 - Video Image (Video Mode) 24
 - Audio (Computer / Video Mode) 24
 - Management (Computer / Video Mode) 25
 - Language (Computer / Video Mode) 26
 - Factory Reset (Computer / Video Mode) 26
- Maintenance 27
 - Cleaning the Lens 27
 - Cleaning the Projector Housing 27
 - Replacing the Lamp 28
- Technical Specifications 30
- Appendix 31
 - Indicator Messages 31
 - Compatibility Modes 32
 - Troubleshooting 33

Introduction

Projector Features

The projector integrates high-performance optical engine projection and a user-friendly design to deliver high reliability and ease of use.

The projector offers the following features:

- Single chip Texas Instruments DLP™ technology
- XGA (1024 x 768 pixels)
- Compact size, light weight for portability
- 1.2x manual zoom lens
- Auto image re-sizing (Auto-Sync.) to 1024 x 768 full screen with scaling compression compatibility for VGA, SVGA, XGA and SXGA*.
- State-of-the-art motion adaptive hardware deinterlacing with 3:2 pull down
- Compatibility with Macintosh® computers
- Compatibility with NTSC, PAL, SECAM, and HDTV
- Multi-function remote control
- D-Sub 15-pin cable for analog video connectivity
- User-friendly, multi-language on-screen display (OSD)
- Advanced electronic keystone correction

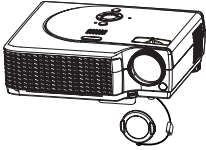


* means compressed.



Package Contents

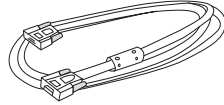
When you unpack the projector, make sure you have all these components:



Projector with Lens Cap



AC Power Cord



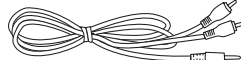
VGA Cable (D-SUB to D-SUB)



Composite Video Cable



S-Video Cable



Audio Cable



Remote Control (IR)



AAA size batteries for remote control



Projector Carrying Case

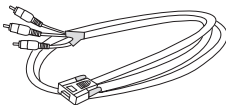


User's Manual

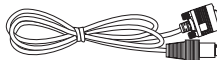


Quick Start Guide

Optional Accessory:



VGA (D-SUB) to HDTV (RCA) Cable



RS232 Cable



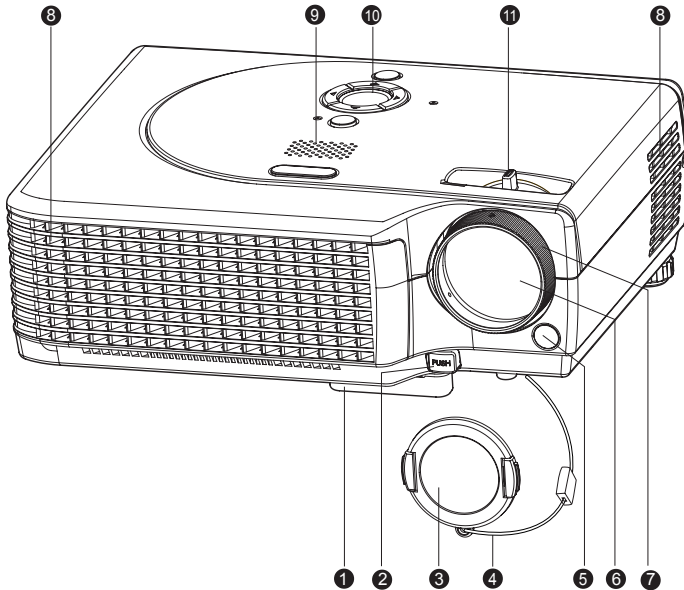
USB Cable



- Save the original shipping carton and packing material; they will come in handy if you ever to ship your unit. For maximum protection, repack your unit as it was originally packed at the factory.
- Accessories and components may vary by retailer and region.

Projector Overview

Front View



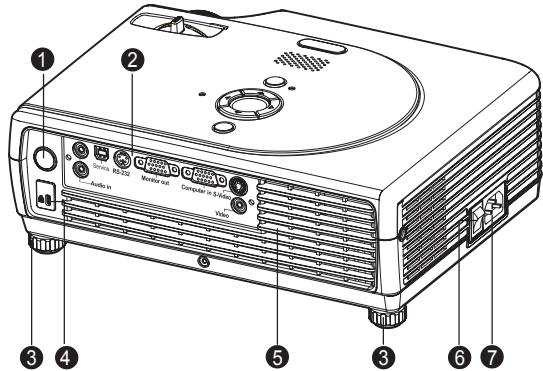
- ① Elevator foot _____
- ② Elevator button _____
- ③ Lens cap _____
- ④ Lens cap strap _____
- ⑤ Front IR remote control sensor _____

- ⑥ Lens _____
- ⑦ Focus ring _____
- ⑧ Ventilation holes _____
- ⑨ Speaker _____
- ⑩ Control panel _____
- ⑪ Zoom ring _____



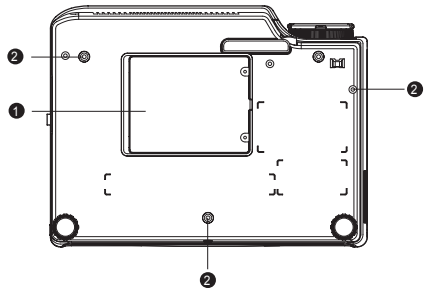
Rear View

- ① Rear IR remote control sensor
- ② Connection ports
- ③ Tilt-adjustment foot
- ④ Kensington lock
- ⑤ Ventilation holes
- ⑥ Main power switch
- ⑦ AC power socket



Bottom View

- ① Lamp cover
- ② Ceiling mount




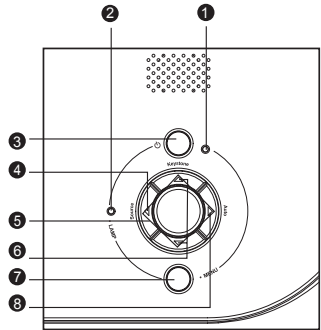
- This projector can be used with a ceiling mount for support. The ceiling mount is not included in the package.

Using the Product



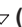
Control Panel

LED

- ①  (Power LED indicator)
Refer to “LED Indicator Messages”.
- ② **LAMP** (Lamp LED indicator)
Refer to “LED Indicator Messages”.

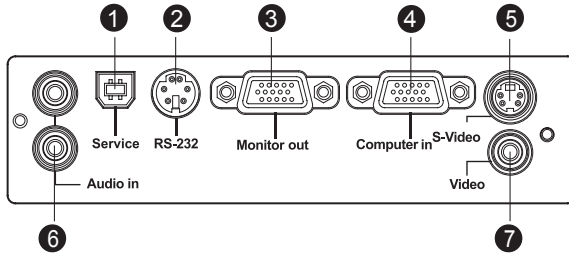


Button Function

- ③ 
Refer to “Powering On/Off the Projector”.
- ④ **Source**
Manually selects an input source.
- ⑤ **Four directional buttons**
Use four directional buttons to select items or make adjustments to your selection.
- ⑥  /  (**Keystone**)
Adjusts image distortion caused by tilting the projector ($\pm 16^\circ$).
- ⑦ **MENU**
Displays or exits the on-screen display menus.
- ⑧ **Auto**
Automatically adjusts frequency and phase. This function is available for computer mode only.



Connection Ports



1 USB connector (Service purpose)

This connector is for page up & down mouse control function and firmware update.

2 RS232

When operating the projector via a computer, connect this to the controlling computer's RS-232C port.

3 Monitor out (D-Sub)

Connects to a computer display, etc.

4 Computer in (D-Sub)

Connects image input signal (analog) to this jack.

5 S-Video

Connects S-Video output from video equipment to this jack.

6 Audio in

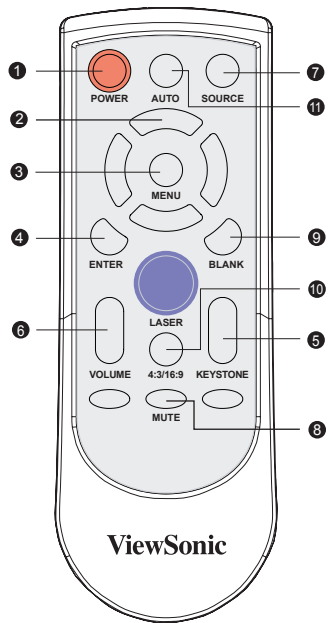
Connects an audio output from video equipment to this jack.

7 Video

Connects composite video output from video equipment to this jack.

Remote Control Components

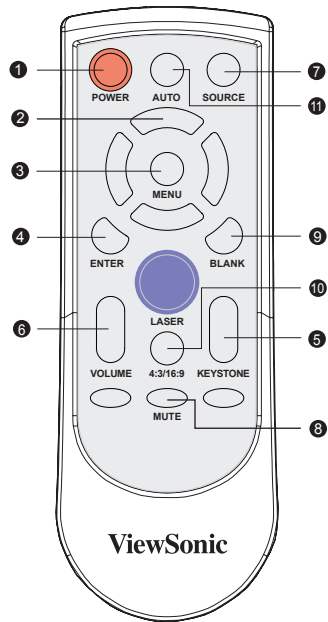
1. ① Power button _____
2. Four direction buttons _____
3. Menu button _____
4. Enter button _____
5. Keystone ▲/▼ buttons _____
6. Volume ▲/▼ buttons _____
7. Source button _____
8. Mute button _____
9. Blank button _____
10. 4:3/16:9 button _____
11. Auto button _____





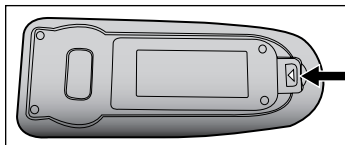
Remote Control

1. Power
Refer to “Powering On/Off the Projector”.
2. Four direction buttons
The four direction buttons /// can be used to scroll through OSD (On-Screen Display) menus and make adjustments.
3. Menu
Press the Menu button to activate the OSD (On-Screen Display) menu. Use the directional buttons and Menu button to navigate through the OSD (On-Screen Display) menu.
4. Enter
Confirms the selection
5. Keystone /
Adjusts image distortion caused by tilting the projector.
6. Volume /
Press the Volume button to increase the volume; press the Volume button to reduce the volume.
7. Source
Manually selects an input source.
8. Mute
Cuts off the sound temporarily.
9. Blank
Cuts off the screen temporarily.
10. 4:3/16:9
Press the 4:3/16:9 to switch the image aspect ratio from 4:3 to 16:9.
11. Auto
Automatically adjusts frequency and phase.

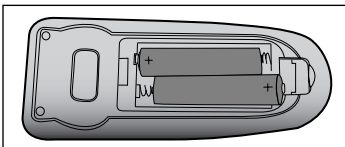


Installing the Batteries

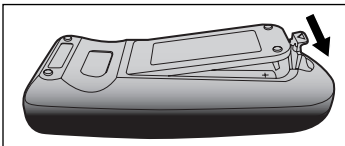
1. Open the battery cover in the direction shown.



2. Install batteries as indicated by the diagram inside the compartment.



3. Close the battery cover into position.



NOTE

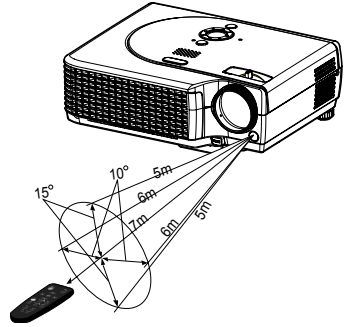
- *Keep the batteries out of the reach of children. There is a danger of death by accidentally swallowing the battery.*
- *Remove batteries from remote control when not using for extended periods.*
- *Do not dispose of the used battery along with household waste. Dispose of used batteries according to local regulations.*
- *Danger of explosion may happen if batteries are incorrectly replaced. Replace all the batteries with new ones.*



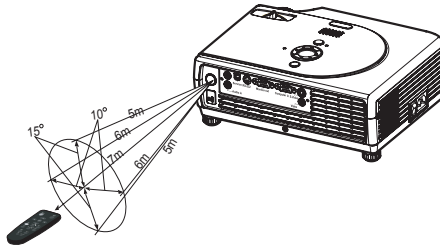
Remote Control Operation

Point the remote control at the infrared remote sensor and press a button.

■ Operating the projector from the front



■ Operating the projector from the rear

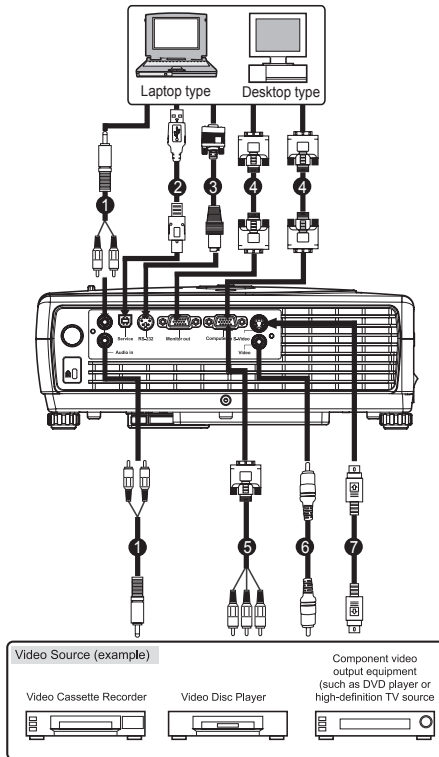


- Do not point the laser pointer directly to the people's eyes (especially small children). There is a danger of injury to the eyes.
- The remote control may not operate when there is sunlight or other strong light such as a fluorescent lamp shining on the remote sensor.
- Operate the remote control from a position where the remote sensor is visible.
- Do not drop the remote control or jolt it.
- Keep the remote control out of locations with excessively high temperature or humidity.
- Do not get water on the remote control or place wet objects on it.
- Do not disassemble the remote control.

Installation

Connecting the Projector

- ❶ Audio Cable
- ❷ USB Cable
- ❸ RS232 Cable
- ❹ VGA Cable (D-Sub to D-Sub)
- ❺ VGA (D-SUB) to HDTV (RCA) Cable
- ❻ Composite Video Cable
- ❼ S-Video Cable




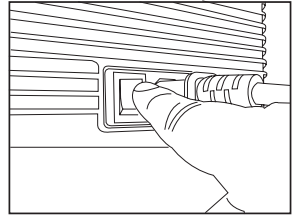
- *When connecting cable, power cords of both a projector and external equipment should be disconnected from AC outlet.*
- *The figure above is a sample connection. This does not mean that all of these devices can or must be connected simultaneously.*



Powering On/Off the Projector

Powering on the projector:




1. Remove the projector lens cap.
2. Complete the AC power cord and peripheral signal cable(s) connections.
3. Turn on the main power switch.
4. Press  button to turn on the projector.
5. Turn on your source (computer, notebook, DVD, etc.). The projector automatically detects your source.
 - “Source Found” message will appear on the screen when the source is detected, otherwise “For best image quality, lower image resolution.” message will appear on the screen.
 - When “Searching” message appears on the screen, ensure that the appropriate signal cable(s) are securely connected.
 - If you are connecting multiple sources to the projector simultaneously, press **Source** button.

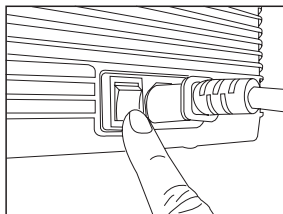


Warning:

- Remove the lens cap first before powering on.
- Never look into the lens when the lamp is on. This can damage your eyes. It is especially important that children are not allowed to look into the lens.

Powering Off the Projector:

1. Press  button to turn off the projector lamp. You will see a message “Press Power Button to Turn Off Projector. Projector must cool down for 90 seconds before unplugging or restarting.” appear on the screen.
2. Press  button again to confirm.
3. The cooling fans continue to operate for cooling cycle and the Lamp LED goes out.
When the Power LED begins flashing, the projector has entered standby mode.
If you wish to turn the projector back on, you must wait until the projector has completed the cooling cycle and has entered standby mode. Once in standby mode, simply press  button to restart the projector.
4. Turn off the main power switch.
5. Disconnect the power cord from the electrical outlet and the projector.
6. Do not turn on the projector immediately following a power off procedure.

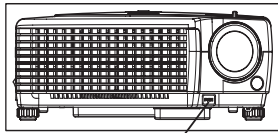


- *Please wait until the fan motor and the Lamp LED turn off before removing the AC power cord from the projector.*

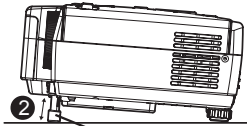


Adjusting the Projected Image

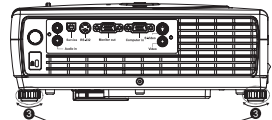
Adjusting the Projector Height



Elevator button



Elevator foot



Tilt-adjustment foot

The projector is equipped with an elevator foot to adjust the image height. To raise or lower the image:

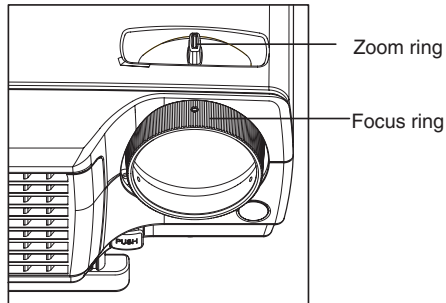
1. Turn the projector over and locate the elevator foot. Press the elevator button to extend the foot so it may be adjusted.
2. While holding down the elevator button, adjust the foot to the desired height, then release the button to lock the elevator foot into position.
3. Use tilt-adjustment foot to fine-tune tilt-adjustment.
4. Lower the projector so it rests on its foot; adjust as needed.



- *To avoid damaging the projector, make sure that the elevator foot and tilt-adjustment foot are fully retracted before placing the projector in its carrying case.*

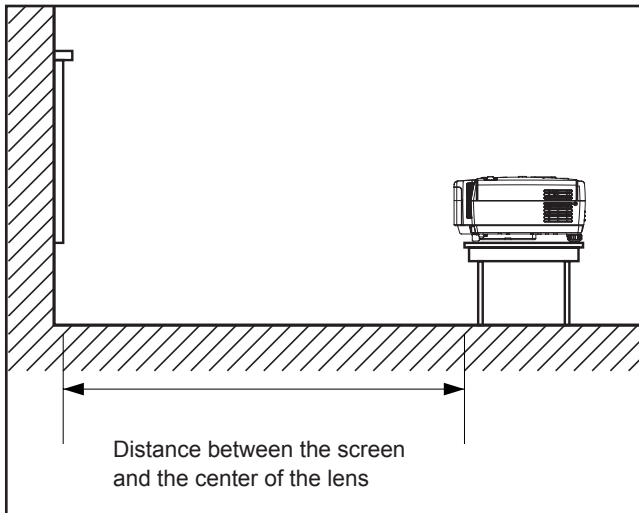
Adjusting the Projector Zoom and Focus

1. Focus the image by rotating the focus ring.
A still image is recommended for focusing.
2. Adjust the image by rotating the zoom ring.
Rotate to the right to enlarge the image.
Rotate to the left to reduce the image.



Adjusting Projection Image Size

Refer to the graphic and table below to determine the screen size and projection distance.





Screen Size (inch)	Projection Distance (m)	
	Wide	Tele
30	-	1.20
40	1.33	1.60
50	1.66	2.00
60	2.00	2.40
80	2.66	3.20
100	3.33	4.00
150	5.00	6.00
200	6.66	8.00
250	8.33	10.00
300	10.0	-

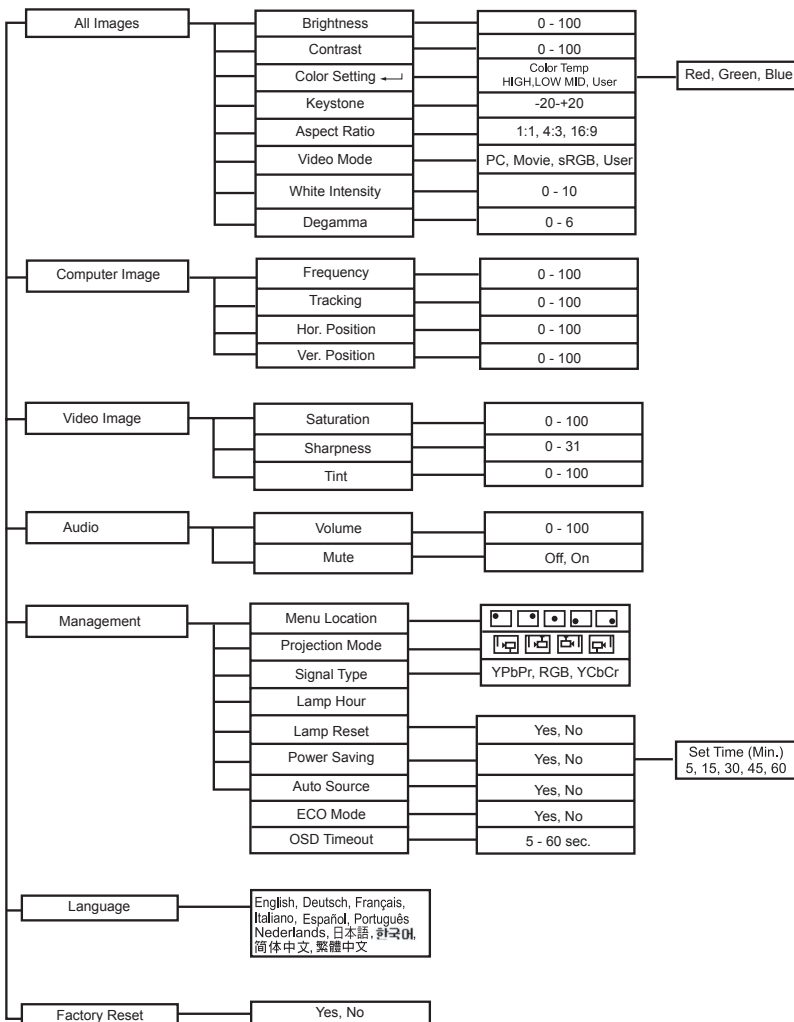
* This table is for user reference only.



- *Position the projector in a horizontal position; other positions can cause heat build-up and damage to the projector.*
- *Make sure the heat ventilation holes are not blocked.*
- *Do not use the projector in a smoky environment. Smoke residue may cause buildup on critical parts (i.e. DMD, lens assembly, etc.)*

Menu Operation

The projector has multilingual On Screen Display menus that allow you to make image adjustments and change a variety of settings.





How to operate

1. Press **MENU** button to open the OSD menu.
2. When OSD is displayed, use ▲ / ▼ buttons to select any feature in the main menu. After selecting the desired main menu feature, press ► button to enter sub-menu for feature setting.
3. Adjust the settings with ◀ / ▶ buttons.
4. Press **MENU** button, the screen will return to the main menu.
5. To exit OSD, press **MENU** button again. The OSD menu will close and the projector will automatically save the new settings.

All Images (Computer / Video Mode)

Brightness

Adjust the brightness of the image.

- Press the ◀ button to darken the image.
- Press the ▶ button to lighten the image.

Contrast

The contrast controls the degree of difference between the lightest and darkest parts of the picture. Adjusting the contrast changes the amount of black and white in the image.

- Press the ◀ button to decrease the contrast.
- Press the ▶ button to increase the contrast.

Color Setting

Press the ▶ button to enter Color Temperature sub-menu and adjust the color temperature. At higher temperature the screen looks colder; at lower temperature, the screen looks warmer. If you select "User", "Red", "Green" and "Blue" can be adjusted.

Keystone

Adjusts image distortion caused by tilting projection ($\pm 16^\circ$).

Aspect Ratio

Use this function to choose your desired aspect ratio.

- 1:1 : Keep the image with original width-height ratio and maximize the image to fit native horizontal or vertical pixels.
- 4:3 : The input source will be scaled to fit the projection screen.
- 16:9 : The input source will be scaled to fit the width of the screen.

Video Mode

There are many factory presets optimized for various types of images.

- PC : For computer or notebook.
- Movie : For home theater.
- sRGB : For PC standard color.
- User : Memorize user's settings.

White Intensity

Use the white Segment control to set the white peaking level of DMD chip. 0 stands for minimal segment, and 10 stands for maximum segment. If you prefer a stronger image, adjust towards the maximum setting. For a smooth and more natural image, adjust towards the minimum setting.

Degamma

Effects the represent of dark scenery. With greater gamma value, dark scenery will look brighter.



Computer Image (Computer Mode)

Frequency

“Frequency” changes the display data frequency to match the frequency of your computer’s graphic card. If you experience a vertical flickering bar, use this function to make an adjustment.

Tracking

“Tracking” synchronizes the signal timing of the display with the graphic card. If you experience an unstable or flickering image, use this function to correct it.

Hor. Position (Horizontal Position)

- Press the ◀ button to move the image left.
- Press the ▶ button to move the image right.

Ver. Position (Vertical Position)

- Press the ◀ button to move the image down.
- Press the ▶ button to move the image up.

Video Image (Video Mode)

Saturation

Adjusts a video image from black and white to fully saturated color.

- Press the ◀ button to decrease the amount of color in the image.
- Press the ▶ button to increase the amount of color in the image.

Sharpness

Adjusts the sharpness of the image.

- Press the ◀ button to decrease the sharpness.
- Press the ▶ button to increase the sharpness.

Tint

Adjusts the color balance of red and green.

- Press the ◀ button to increase the amount of green in the image.
- Press the ▶ button to increase the amount of red in the image.

Audio (Computer / Video Mode)

Volume

- Press the ◀ button to decrease the volume.
- Press the ▶ button to increase the volume.

Mute

- Choose the “On” to turn mute on.
- Choose the “Off” to turn mute off.

Management (Computer / Video Mode)

Menu Location

Choose the Menu location on the display screen.

Projection Mode

-  **Rear-Desktop**

When you select this function, the projector reverses the image so you can project behind a translucent screen.

-  **Rear-Ceiling**

When you select this function, the projector reverses and turns the image upside down at same time. You can project from behind a translucent screen with ceiling mounted projection.

-  **Front-Ceiling**

When you select this function, the projector turns the image upside down for ceiling-mounted projection.

-  **Front-Desktop**

The factory default setting.

Signal Type

Specifies the signal source that you wish to project.

- YPbPr: For composite video cable.
- RGB: For VGA cable.
- YCbCr: For S-Video cable.

Lamp Hour

Displays Hour the lamp's elapsed operating time (in hours).

Lamp Reset

Choose "Yes" to turn the lamp hour counter to 0 hours.

Power Saving

If no operation is performed for a specific period of time, the power to the projector is automatically turned off. This feature is useful to reduce battery wear.

Choose "Yes" and press **MENU** button to enter its sub-menu, and choose your desired power saving time.

Auto Source

Automatically scans the input source.

ECO Mode

Choose "Yes" to dim the projector lamp which will lower power consumption, extend the lamp life and reduce noise. Choose "No" to return normal mode.

OSD Timeout

Duration OSD menu stays active (at idle state by second).



Language (Computer / Video Mode)

Choose the multilingual OSD menu. Use the ▲ / ▼ buttons to select your preferred language. Press ► button to finalize the selection.

Factory Reset (Computer / Video Mode)

Choose "Yes" and press **MENU** button to return the display parameters on all menus to the factory default settings.

Maintenance

The projector needs proper maintenance. You should keep the lens clean as dust, dirt or spots will project on the screen and diminish image quality. If any other parts need replacing, contact your dealer or qualified service personnel. When cleaning any part of the projector, always switch off and unplug the projector first.

Warning:

Never open any of the covers on the projector. Dangerous electrical voltages inside the projector can cause severe injury. Do not attempt to service this product yourself. Refer all servicing to qualified service personnel.

Cleaning the Lens

Gently wipe the lens with lens cleaning paper. Do not touch the lens with your hands.

Cleaning the Projector Housing

Gently wipe with a soft cloth. If dirt and stains are not easily removed, use a soft cloth dampened with water, or water and neutral detergent, and wipe dry with a soft, dry cloth.



- *Turn off the projector and remove the AC power cord from the power outlet before beginning maintenance work.*
- *Make sure the lens is cool before cleaning.*
- *Do not use detergents or chemicals other than those noted above. Do not use benzene or thinners.*
- *Do not use chemical sprays.*
- *Use a soft cloth or lens paper only.*



Replacing the Lamp

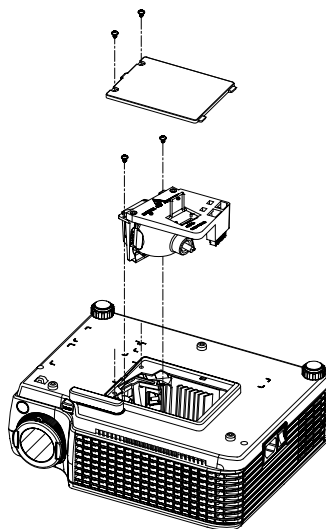
Projector lamps have a finite life. Replace the lamp when:

- A warning message “Lamp is approaching the end of its useful life in full power operation. Replacement suggested!” appears on the screen.
- The image becomes darker and hues become weaker after a lamp has been for a long period of time.
- The projector lamp LED indicator turns into amber. Refer to section titled “**Indicator Messages**” for further details.



- *The lamp becomes high temperature after turning off the projector with the power button. If you touch the lamp, you may scald your finger. When you replace the lamp, wait for at least 45 minutes for the lamp to cool down.*
- *Do not touch the lamp glass at any time. The lamp may explode due to improper handling, including the touching of the lamp glass.*
- *Lamp lifetime may differ from lamp to lamp and according to the environment of use. There is no guarantee of the same lifetime for each lamp. Some lamps may fail or terminate their lifetime in a shorter period of time than other similar lamps.*
- *A lamp may explode as a result of vibration, shock or degradation as a result of hours of use as its lifetime draws to an end. Risk of explosion may differ according to the environment or conditions in which the projector and lamp are being used.*
- *Wear protective gloves and eyeglasses when fixing or detaching the lamp.*
- *Faster on-off-cycles will damage the lamp and reduce lamp life. Wait at least for 5 minutes to turn off the projector after powering on.*
- *Do not operate the lamp in proximity to paper, cloth, or other combustible material nor cover it with such materials. Otherwise it could cause a fire.*
- *Do not operate the lamp in an atmosphere containing an inflammable substance, such as thinner. Otherwise it could cause a fire or explosion.*
- *Thoroughly ventilate the area or the room when operating the lamp in an oxygen atmosphere (in the air). If ozone is inhaled, it could cause headaches, nausea, dizziness, etc.*
- *The inorganic mercury is involved in the lamp. If the lamp bursts, the mercury inside the lamp will go out of the projector. Leave the area immediately if the lamp shatters while being operated and ventilate the area for at least 30 minutes in order to avoid the inhalation of mercury fumes. Otherwise it could be harmful to user's health.*

1. Turn off the projector and unplug the AC power cord.
2. Place a protective sheet (cloth) beneath the projector. Turn the projector over so you can access the lamp cover.
3. Remove the access panel screws and open the panel.
4. Remove the screws on the bottom of the lamp assembly.
5. Grasp the lamp handle and pull the lamp assembly directly out of the projector.
6. Replace with the new lamp.
7. Place back the screws on the bottom of lamp assembly.
8. Place the panel and screw back the screws on the lamp cover.
9. Reset the lamp hour. Refer to the "Management (Computer/Video Mode)" menu.



- *Dispose of the used lamp according to local regulations.*
- *Ensure that screws are tightened properly. Screws not tightened fully may result in injury or accidents.*
- *Since the lamp is made of glass, do not drop the unit and do not scratch the glass.*
- *Do not reuse the old lamp. This could cause the lamp to explode.*
- *Be sure to turn off the projector and unplug the AC power cord before replacing the lamp.*
- *Do not use the projector with the lamp cover removed.*



Technical Specifications

Display Type	0.7" DMD/ 12"/ DDR
Native resolution	786,432 dot x1 (1024 x 768 x1)
Lens	Manual Zoom (1.2X)
Focal Length	23.6 - 28.25 mm
Aspect Ratio	Auto, 4:3, 16:9
Screen Size	30 - 300 inches
Lamp	250W
Projection Type	Front, Rear, Ceiling
Video Input	NTSC, NTSC4.43 PAL-60, M, N, B, D, G, H, I SECAM
Input Source	Computer, HDTV, S-Video, Video
Scanning Frequency	
Horizontal Freq.	15 - 80 KHz
Vertical Freq.	50 - 85 Hz
Pixel Rate	25 - 135 MHz
Digital Keystone Correction	Vertical: +/- 16 degrees
Analog RGB (input signal)	D-Sub 15-pin connector
HDTV Display	480i, 480p, 576i, 576p, 720p, 1080i
Integrated Speaker	2W x 1
Remote Control	Multifunctional
OSD Language	Multilanguage
Storage Temperature	-20 - + 60°C
Operation Temperature	+0 - +40°C
Operation Humidity	5 - 90% (Non-Condensing)
Power Requirement	AC 100 – 240V, 50 / 60 Hz
Power Consumption	300W (Typical)
Dimension (W x D x H)	290 x 220 x 95 mm
Weight	3.0kgs (6.6lbs)

Note: Design and Specifications are subject to change without prior notice.

Appendix

LED Indicator Messages

LED Type	Color	Status	Meaning
Power LED	Green	Flashing	The projector is powered and ready.
Power LED	Amber	Flashing	The projector system has some problems with its fan, so the projector cannot start up.
Lamp LED	Green	Solid	The lamp is in good condition and is projecting at maximum brightness.
Lamp LED	Amber	Solid	The lamp has reached its end of life and must be changed soon. The lamp will continue to operate until it fails. Change the lamp. If the lamp is off, then the ballast will become malfunction
Lamp LED	Off	-	The projector is shutting The fan motor is cooling the lamp for shutdown. Do not unplug the power cable or turn the power switch off before the Power LED change to Flashing. The fan motor will turn off when the lamp has cooled.
Power LED	Amber	Solid	Temperature is too high. The lamp will turn off. The fan motor is cooling the lamp.
Lamp LED	Red	Flashing	The lamp ignition fail. If temperature is too high, the fans will be cooling the lamp.



Compatibility Modes

Computer:

Mode	Resolution	Horizontal Frequency	Vertical Frequency
Mode	640x480	59.95	31.47
VGA (Expanded)	640x480	72.81	37.86
DOS/Text mode visible	640x480	75.00	37.50
	640x480	85.00	43.27
	720x400	70.00	31.5
	720x400	85.00	37.9
SVGA (Expanded)	800x600	56	35.2
	800x600	60	37.9
	800x600	72	48.1
	800x600	75	46.9
	800x600	85	53.7
XGA (Native)	*1024x768	60	48.4
	1024x768	70	56.5
	1024x768	75	60.0
	1024x768	85	68.7
SXGA (Compressed)	1280x1024	60	64.0
	1280x1024	75	80.0
Mac II 13"	640x480	66.7	35.0
Mac 16"	832x624	74.5	49.7
Mac 16"	1152x870	75	68.6
Mac 19"	1024x768	75	60.2
Other (Compressed)	1152x864	70	64.0
	1152x864	75	67.5
	1152x864	85	77.5
	1280x960	60	60.0
	1280x960	75	75.0

Factory Preset Mode: (Analog=26)

PC: Full scan

*Primary Preset Mode

Signal	Resolution	Horizontal Frequency	Vertical Frequency
1080i	1920x1080	60 Hz	33.75
1080i	1920x1080	50 Hz	28.13
720p	1280x720	60 Hz	45.0
720p	1280x720	50 Hz	37.5
576i	720x576	50 Hz	15.75
576p	720x576	50 Hz	31.25
480p	640x480	60 Hz	31.5
480i	640x480	60 Hz	15.75

Troubleshooting

Refer to the symptoms and measures listed below before sending the projector for repairs. If the problem persists, contact your local reseller or service center. Please refer to “Indicator Messages” as well.

Symptom	Cause	Measure
No power.	The AC power cord is not plugged in.	Plug in the AC power cord.
	The AC power cord is not connected to the projector.	Connect the AC power cord to the projector correctly and turn on the main power switch.
	The main power switch is not turned on.	Turn on the main power switch.
	The lamp cover loose.	Tighten the screws on the lamp cover.
Power goes out during use.	The temperature is too high.	Unplug the AC power cord and wait for a short while, then turn the power back on.
	The ventilation holes are blocked.	Place the projector so that the ventilation holes are not blocked.
No image appears on screen.	The projector is not turned on.	Turn the projector on.
	The connections set up are not correctly.	Check that all connections are setup correctly.
	The connected devices are not functioning properly.	Check that all connected devices are functioning properly.
	Lens cap is not removed.	Remove the lens cap and turn the projector on.
	“Hide” function is activated.	Cancel “Hide” function.
Partial, scrolling or incorrectly displayed image.	The input signal is not supported by the projector.	Press “Resync” button.
Image is unstable or flickering.	The signal timing of the display does not synchronize with the graphic card.	Use “Tracking” to correct it. Refer to Computer Image section.
		Change the monitor color setting from your computer.
Image has vertical flickering bar.	The display data frequency does not match the frequency of your computer's graphic card.	Use “Frequency” to make an adjustment. Refer to Computer Image section.
		Check and reconfigure the display mode of your graphic card to make it compatible with the product.



Symptom	Cause	Measure
Image is out of focus.	The lens focus is not adjusted optimally.	Adjust the focus with the focus ring.
	The projection distance is not within the projector's supported range.	Place the projector within the supported range.
Remote control doesn't work.	The batteries could be weak.	Replace with a new set of batteries.
	The polarity is not correct.	Install the batteries with correct polarities.
	The remote control is not being used within the effective range.	Use the remote control within the effective range.
	There are some obstructions between the remote control and projector.	Check that there are not obstructions between the remote control and projector.
	There are some fluorescent or other bright lights shining at the projector's infrared remote	Check that there are not any fluorescent or other bright lights shining at the projector's infrared remote sensor.

Customer Support

For technical support or product service, see the table below or contact your reseller.

Note : You will need the product serial number.

Country/ Region	Web Site	T=Telephone F=Fax	E-mail
United States	www.viewsonic.com/support/	T= 800 688 6688 F= 909 468 1202	service.us@viewsonic.com
Canada	www.viewsonic.com/support	T= 866 463 4775	service.ca@viewsonic.com
United Kingdom	www.viewsoniceurope.com/uk	T= 0207 949 0307	service.eu@viewsoniceurope.com
Europe, Middle East, Baltic countries, and North Africa	www.viewsoniceurope.com	Contact your reseller	service.eu@viewsoniceurope.com
Australia and New Zealand	www.viewsonic.com.au/support/	AUS= 1800 880 818 NZ= 0800 008 822	service@au.viewsonic.com
Singapore/ Malaysia/ Thailand	www.viewsonic.com.sg/support/	T= 65 64616044	service@sg.viewsonic.com
South Africa/Other countries	www.viewsonic.com	T= 886 2 2246-3456 F= 886 2 2249-1751	service@sd.viewsonic.com
Hong Kong	www.hk.viewsonic.com/support/	T= 852 3102 2900	service@hk.viewsonic.com
Macau	www.hk.viewsonic.com/support/	T= 853 700 303	service@hk.viewsonic.com
Korea	www.viewsonic.com	T= 080 265 9080	service@kr.viewsonic.com

Limited Warranty

VIEWSONIC® PROJECTOR

What the warranty covers:

ViewSonic warrants its products to be free from defects in material and workmanship, under normal use, during the warranty period. If a product proves to be defective in material or workmanship during the warranty period, ViewSonic will, at its sole option, repair or replace the product with a like product. Replacement product or parts may include remanufactured or refurbished parts or components.

How long the warranty is effective:

North and South America: 3 years for all parts excluding the lamp, 3 years for labor, 1 year for the original lamp from the date of the first consumer purchase.

Europe: 3 years for all parts excluding the lamp, 3 years for labor, 1 year for the original lamp from the date of the first consumer purchase.

Other regions or countries: Please check with your local dealer or local ViewSonic office for the warranty information.

Lamp warranty subject to terms and conditions, verification and approval. Applies to manufacturer's installed lamp only.

All accessory lamps purchased separately are warranted for 90 days.

Who the warranty protects:

This warranty is valid only for the first consumer purchaser.

What the warranty does not cover:

1. Any product on which the serial number has been defaced, modified or removed.
2. Damage, deterioration or malfunction resulting from:
 - a. Accident, misuse, neglect, fire, water, lightning, or other acts of nature, unauthorized product modification, or failure to follow instructions supplied with the product.
 - b. Repair or attempted repair by anyone not authorized by ViewSonic.
 - c. Any damage of the product due to shipment.
 - d. Removal or installation of the product.
 - e. Causes external to the product, such as electric power fluctuations or failure.
 - f. Use of supplies or parts not meeting ViewSonic's specifications.
 - g. Normal wear and tear.
 - h. Any other cause which does not relate to a product defect.
3. Any product exhibiting a condition commonly known as "image built-in" which results when a static image is displayed on the product for an extended period of time.
4. Removal, installation, and set-up service charges.

How to get service:

1. For information about receiving service under warranty, contact ViewSonic Customer Support (Please refer to Customer Support page). You will need to provide your product's serial number.

2. To obtain warranted service, you will be required to provide (a) the original dated sales slip, (b) your name, (c) your address, (d) a description of the problem, and (e) the serial number of the product.
3. Take or ship the product freight prepaid in the original container to an authorized ViewSonic service center or ViewSonic.
4. For additional information or the name of the nearest ViewSonic service center, contact ViewSonic.

Limitation of implied warranties:

There are no warranties, express or implied, which extend beyond the description contained herein including the implied warranty of merchantability and fitness for a particular purpose.

Exclusion of damages:

ViewSonic's liability is limited to the cost of repair or replacement of the product. ViewSonic shall not be liable for:

1. Damage to other property caused by any defects in the product, damaged based upon inconvenience, loss of use of the product, loss of time, loss of profits, loss of business opportunity, loss of goodwill, interference with business relationships, or other commercial loss, even if advised of the possibility of such damages.
2. Any other damages, whether incidental, consequential or otherwise.
3. Any claim against the customer by other party.

Effect of state law:

This warranty gives you specific legal rights, and you may also have other rights which vary from state to state. Some states do not allow limitations on implied warranties and/or do not allow the exclusion of incidental or consequential damages, so the above limitations and exclusions may not apply to you.

Sales outside the U.S.A. and Canada:

For warranty information and service on ViewSonic products sold outside of the U.S.A. and Canada, contact ViewSonic or your local ViewSonic dealer.

The warranty period for this product in mainland China (Hong Kong, Macao and Taiwan Excluded) is subject to the terms and conditions of the Maintenance Guarantee Card.

4.3: Projector Warranty

PRJ_LW01 Rev. 1g 06-30-06

