

myprojectorlamps.com

**The most trusted, dependable name
in projector lamp sales.**



<http://www.myprojectorlamps.com>



<http://www.myprojectorlamps.ca>



<http://www.myprojectorlamps.eu>

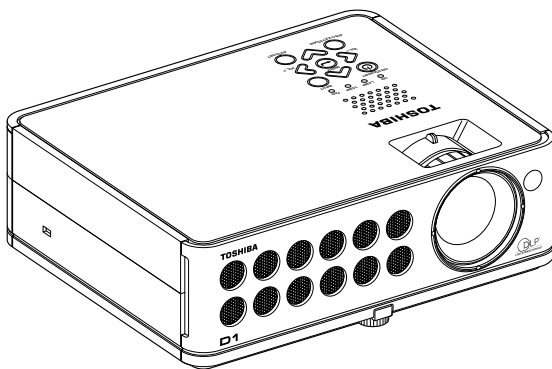
The following projector manual has not been modified or altered in any way.

TOSHIBA

OWNER'S MANUAL

DLP DATA PROJECTOR

TDP-D1
TDP-D2



Before Using

Preparations

Operations

Maintenance

Others

SAFETY PRECAUTIONS

WARNING:
 BEFORE OPERATING, PLEASE READ OWNER'S MANUAL.
 DO NOT REMOVE SCREWS EXCEPT LAMP COVER SCREWS.
 DO NOT BLOCK VENTING OPENINGS.

AVIS:
 VEUILLEZ LIRE LE MODE D'EMPLOI AVANT L'USAGE.
 NE PAS RETIRER LES VIS À L'EXCEPTION DES VIS DU COUVERCLE DE LAMPÉ.
 NE BOUCHEZ PAS LES ORIFICES DE VENTILATION.

警告:
 使用前、取扱説明書をお読みください。
 ランプカバー以外のネジを取り外さないでください。
 通気孔をふさがしないでください。


WARNING:
 VOR DEM EINSATZ DIE BEDIENUNGSANLEITUNG LESEN.
 KEINE SCHRAUBEN AUSSER DEN LAMPENDECKELSCHRAUBEN ENTFERNEN.
 LUFTUNGSÖFFNUNGEN NICHT BLOCKIEREN.


警告:
 操作前、請詳細閱讀使用說明書。
 請勿拆除任何螺絲(除燈罩螺絲除外)。
 請勿堵塞通氣孔以免內部溫度升高導致障礙或火災。

THIS DEVICE COMPLIES WITH PART 15 OF THE FCC RULES. OPERATION IS SUBJECT TO THE FOLLOWING TWO CONDITIONS: (1) THIS DEVICE MAY NOT CAUSE HARMFUL INTERFERENCE, AND (2) THIS DEVICE MUST ACCEPT INTERFERENCE THAT MAY CAUSE UNDESIRABLE OPERATION.

THIS CLASS B DIGITAL APPARATUS COMPLIES WITH CANADIAN ICES-003. CET APPAREIL NUMÉRIQUE DE LA CLASSE B EST CONFORME À LA NORME NMB-003 DU CANADA.

FC Tested To Comply With FCC Standards FOR HOME OR OFFICE USE

 The lightning flash with arrowhead symbol, within an equilateral triangle, is intended to alert the user to the presence of uninsulated "dangerous voltage" within the product's enclosure that may be of sufficient magnitude to constitute a risk of electric shock to persons.

 The exclamation point within an equilateral triangle is intended to alert the user to the presence of important operating and maintenance (servicing) instructions in the literature accompanying the appliance.

WARNING: TO REDUCE THE RISK OF FIRE OR ELECTRIC SHOCK, DO NOT EXPOSE THIS APPLIANCE TO RAIN OR MOISTURE. DANGEROUS HIGH VOLTAGES ARE PRESENT INSIDE THE ENCLOSURE. DO NOT OPEN THE CABINET. REFER SERVICING TO QUALIFIED PERSONNEL ONLY.

WARNING: Handling the cord on this product or cords associated with accessories sold with this product, will expose you to lead, a chemical known to the State of California to cause birth defects or other reproductive harm. **Wash hands after handling.**

FCC NOTICE: This equipment has been tested and found to comply with the limits for a Class B digital device, pursuant to part 15 of the FCC Rules. These limits are designed to provide reasonable protection against harmful interference in a residential installation. This equipment generates, uses and can radiate radio frequency energy and, if not installed and used in accordance with the instructions, may cause harmful interference to radio communications.

However, there is no guarantee that interference will not occur in a particular installation.

If this equipment does cause harmful interference to radio or television reception, which can be determined by turning the equipment off and on, the user is encouraged to try to correct the interference by one or more of the following measures:

- Reorient or relocate the receiving antenna.
- Increase the separation between the equipment and receiver.
- Connect the equipment into an outlet on a circuit different from that to which the receiver is connected.
- Consult the dealer or an experienced radio/TV technician for help.

WARNING: Changes or modifications made to this equipment, not expressly approved by Toshiba, or parties authorized by Toshiba, could void the user's authority to operate the equipment.

Notice: This Class B digital apparatus complies with Canadian ICES-003. Cet appareil numérique de la classe B est conforme à la norme NMB-003 du Canada.

IMPORTANT SAFETY INSTRUCTIONS

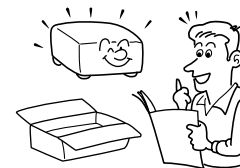
CAUTION: PLEASE READ AND OBSERVE ALL WARNINGS AND INSTRUCTIONS GIVEN IN THIS OWNER'S MANUAL AND THOSE MARKED ON THE UNIT. RETAIN THIS BOOKLET FOR FUTURE REFERENCE.

This set has been designed and manufactured to assure personal safety. Improper use can result in electric shock or fire hazard. The safeguards incorporated in this unit will protect you if you observe the following procedures for installation, use and servicing. This unit is fully transistorized and does not contain any parts that can be repaired by the user.

DO NOT REMOVE THE CABINET COVER, OR YOU MAY BE EXPOSED TO DANGEROUS VOLTAGE. REFER SERVICING TO QUALIFIED SERVICE PERSONNEL ONLY.

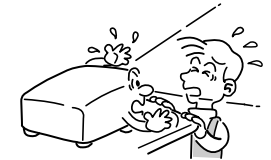
1. Read Owner's Manual

After unpacking this product, read the owner's manual carefully, and follow all the operating and other instructions.



3. Source of Light

Do not look into the lens while the lamp is on. The strong light from the lamp may cause damage to your eyes or sight.



2. Power Sources

This product should be operated only from the type of power source indicated on the marking label. If you are not sure of the type of power supply to your home, consult your product dealer or local power company. For products intended to operate from battery power, or other sources, refer to the operating instructions.



4. Ventilation

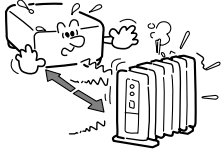
Openings in the cabinet are provided for ventilation and to ensure reliable operation of the product and to protect it from overheating, and these openings must not be blocked or covered. The openings should never be blocked by placing the product on a bed, sofa, rug or other similar surface. This product should not be placed in a built-in installation such as a bookcase or rack unless proper ventilation is provided or the manufacturer's instructions have been adhered to.



IMPORTANT SAFETY INSTRUCTIONS (Continued)

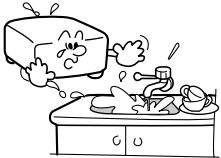
5. Heat

The product should be situated away from heat sources such as radiators, heat registers, stoves, or other products (including amplifiers) that produce heat.



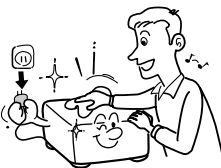
6. Water and Moisture

Do not use this product near water. - for example, near a bath tub, wash bowl, kitchen sink, or laundry tub; in a wet basement; or near a swimming pool and the like.



7. Cleaning

Unplug this product from the wall outlet before cleaning. Do not use liquid cleaners or aerosol cleaners. Use a soft cloth for cleaning.



8. Power-Cord Protection

Power-supply cords should be routed so that they are not likely to be walked on or pinched by items placed upon or against them, paying particular attention to cords at plugs, convenience receptacles, and the point where they exit from the product.



9. Overloading

Do not overload wall outlets; extension cords, or integral convenience receptacles as this can result in a risk of fire or electric shock.



10. Lightning storms

For added protection for this product during storm, or when it is left unattended and unused for long periods of time, unplug it from the wall outlet. This will prevent damage to the product due to lightning and power-line surges.



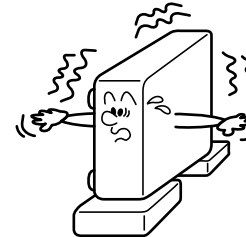
11. Object and Liquid Entry

Never push objects of any kind into this product through openings as they may touch dangerous voltage points or short-out parts that could result in a fire or electric shock. Never spill liquid of any kind on the product.



12. Do not place the product vertically

Do not use the product in the upright position to project the pictures at the ceiling, or any other vertical positions. It may fall down and dangerous.



13. Stack Inhibited

Do not stack other equipment on this product or do not place this product on the other equipment. Top and bottom plates of this product develops heat and may give some undesirable damage to other unit.



14. Attachments

Do not use attachments not recommended by the product manufacturer as they may cause hazards.

15. Accessories

Do not place this product on an unstable cart, stand, tripod, bracket, or table. The product may fall, causing serious injury to a child or adult, and serious damage to the product. Use only with a cart, stand, tripod, bracket, or table recommended by the manufacturer, or sold with the product. Any mounting of the product should follow the manufacturer's instructions, and should use a mounting accessory recommended by the manufacturer. A product and cart combination should be moved with care. Quick stops, excessive force, and uneven surfaces may cause the product and cart combination to overturn.



IMPORTANT SAFETY INSTRUCTIONS (Continued)

16. Damage Requiring Service

Unplug this product from the wall outlet and refer servicing to qualified service personnel under the following conditions:

- a) When the power-supply cord or plug is damaged.
- b) If liquid has been spilled, or objects have fallen into the product.
- c) If the product has been exposed to rain or water.
- d) If the product does not operate normally by following the operating instructions. Adjust only those controls that are covered by the operating instructions as an improper adjustment of other controls may result in damage and will often require extensive work by a qualified technician to restore the product to its normal operation.
- e) If the product has been dropped or damaged in any way.
- f) When the product exhibits a distinct change in performance - this indicates a need for service.

17. If glass components, including lens and lamp, should break, contact your dealer for repair service.

This product incorporates glass components, including a lens and a lamp. If such parts should break, please handle with care to avoid injury and contact your dealer for repair service. The broken pieces of glass may cause to injury. In the unlikely event of the lamp rupturing, thoroughly clean the area around the projector and discard any edible items placed in that area.

18. Servicing

Do not attempt to service this product yourself as opening or removing covers may expose you to dangerous voltage or other hazards. Refer all servicing to qualified service personnel.

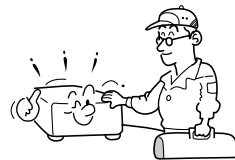


19. Replacement Parts

When replacement parts are required, be sure the service technician has used replacement parts specified by the manufacturer or have the same characteristics as the original part. Unauthorized substitutions may result in fire, electric shock, or other hazards. (Replacement of the lamp only should be made by users.)

20. Safety Check

Upon completion of any service or repairs to this product, ask the service technician to perform safety checks to determine that the product is in proper operating condition.



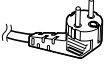
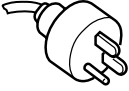
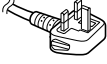
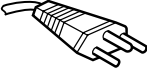
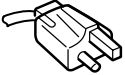
21. Do not leave thermal-paper documents or easily deformed items on top of the unit or near the air exhaust.

The heat from the unit could erase the information on the thermal paper, or cause deformation or warping.

Also, when you touch a metal object put near the air exhaust, a burn may be caused.

POWER SUPPLY CORD SELECTION

If your line voltage is 220 to 240V, use one of the following types of cable.

Plug configuration	Plug type	Line voltage	Plug configuration	Plug type	Line voltage
	EURO	220 – 240V		Australian 240V 10A	200 – 240V
	UK	220 – 240V		Switzerland 240V 6A	200 – 240V
Use a 5A fuse which is approved by ASTA or BSI to BSI362. Always replace the fuse cover after changing the fuse.				North American 240V 15A	200 – 240V

IMPORTANT PRECAUTIONS

Save Original Packing Materials

The original shipping carton and packing materials will come in handy if you ever have to ship your projector. For maximum protection, repack the set as it was originally packed at the factory.

Moisture Condensation

Never operate this unit immediately after moving it from a cold location to a warm location. When the unit is exposed to such a change in temperature, moisture may condense on the crucial internal parts. To prevent the unit from possible damage, do not use the unit for at least 2 hours when there is an extreme or sudden change in temperature.

Place and Manner of Installation

- Do not place in hot locations, such as near heating equipment. Doing so could cause malfunction, and shorten the life of the projector.
- Avoid locations with oil or cigarette smoke. Doing so will dirty the optical parts, shortening their lives, and darkening the screen.
- Do not use in angle of 20° or more degrees. Doing so could shorten the life of the lamp.
- If used at high altitudes, the unit could cease operation even if used within the rated temperature range. This is because the thinner air at high altitudes decreases the internal cooling efficiency. Therefore, please lower the ambient temperature if using at high altitudes.

IMPORTANT PRECAUTIONS (Continued)

Avoid Volatile Liquid

Do not use volatile liquids, such as an insect spray, near the unit. Do not leave rubber or plastic products touching the unit for a long time. They will leave marks on the finish. If cleaning with a chemically saturated cloth, be sure to follow the product's precautions.

In the spaces provided below, record the Model and Serial No. located at the bottom of your projector.

Model No. _____ Serial No. _____

Retain this information for future reference.

DECLARATION OF CONFORMITY

USA only

TRADE NAME: DLP DATA PROJECTOR
 MODEL NAME: TDP-D1/ TDP-D2
 RESPONSIBLE PARTY: TOSHIBA AMERICA INFORMATION SYSTEMS, INC.
 9740 Irvine Blvd., Irvine, CA 92618-1697 U.S.A
 Phone: (949) 583-3000

This device complies with part 15 of the FCC Rules.
 Operation is subject to the following two conditions:
 (1) this device may not cause harmful interference, and
 (2) this device must accept any interference received, including interference that may cause undesired operation.

EXEMPTION CLAUSES

- Toshiba Corporation bears no responsibility in the case of damages arising from natural disaster such as earthquakes, lightning, etc., fire not liable to Toshiba Corporation, operating by third parties, other accidents, or use under abnormal conditions including erroneous or improper operation and other problems.
- Toshiba Corporation bears no responsibility for incidental damages (lost profit, work interruption, corruption or loss of the memory contents, etc.) arising from the use of or the inability to use this unit.
- Toshiba Corporation accepts no liability whatsoever for any damages arising from not having followed the descriptions in this Instruction Manual.
- Toshiba Corporation accepts no liability whatsoever for any damages arising from malfunctions arising from combination with equipment or software that is not related to Toshiba Corporation.

OTHER CAUTIONS AND INFORMATIONS

Copyrights

Publicly showing or transmitting commercial imaging software or broadcast or Cable-broad casting programs, either commercially or collecting a fee from the audience, or modifying images using the freeze or resize functions, could violate the direct or indirect copyrights of the imaging software or broadcast program, etc., if done without first consulting with the copyright holder. For this reason, please take appropriate measures before performing one of the actions listed above, including obtaining a license from the copyright holder.

Disposal

This product contains substances which are harmful to humans and the environment.

- The solder used in the PCB manufacturing process contains lead.
- The lamp contains inorganic mercury.

Please dispose of this product or used lamps in accordance with local regulations.

Trademarks

- VGA, SVGA, XGA, SXGA, UXGA are trademarks or registered trademarks of International Business Machines Corporation.
- Digital Light Processing, DLP, Digital Micromirror Device and DMD are trademarks of Texas Instruments.
- Windows is a registered trademark of Microsoft Corporation in the U.S. and other countries.

Notational Conventions Used in This Manual

References to pages with related information are annotated as follows.

For example, if making a reference to page 36: [p.36](#)

CONTENTS

Before Using

SAFETY PRECAUTIONS	2
IMPORTANT SAFETY INSTRUCTIONS	3
POWER SUPPLY CORD SELECTION	8
IMPORTANT PRECAUTIONS	8
EXEMPTION CLAUSES	10
OTHER CAUTIONS AND INFORMATIONS	10
CONTENTS	11

Preparations

Checking the package contents	12
Names of each part on the main unit	13
Names of each part on the control panel and remote control	14
Names of the connection terminals	15
Preparing and using the remote control	16
Placement	17
Connection	18

Operations

Turning the power on and off	19
Basic operations	21
Using handy features	23
Using auto setting (Auto setting)	23
Correcting the keystone distortion (Keystone)	24
Cutting off the picture and sound temporarily (Mute)	24
Freezing the image (Freeze)	25
Enlarging the picture size (Resize)	25
Displaying Information [Status display]	26
Using the menus	27
How to use the menus	27
The image adjustment menu	28
The default setting menu	28
The display setting menu	29
Reset menu (Special menu)	29
Operating a computer by the remote control	30

Maintenance

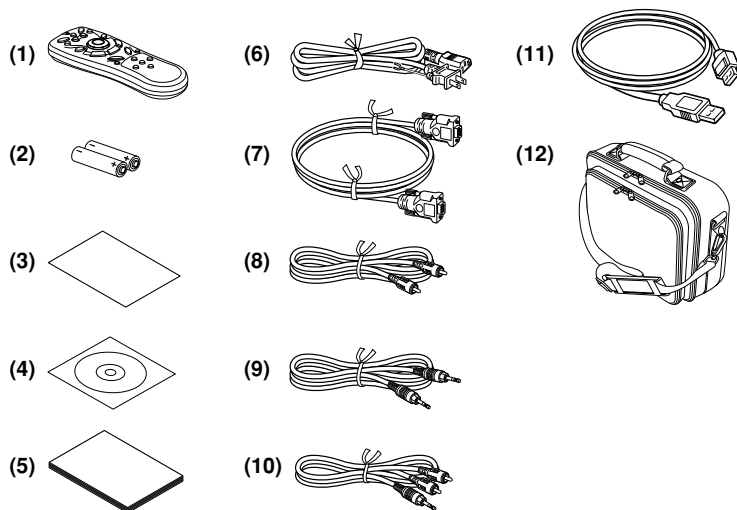
Lens and main unit cleaning	31
Lamp replacement	31

Others

Trouble indications	33
Before calling service personnel	34
Specifications	35
List of general specifications	35
List of supported signals (RGB signals)	36
List of supported signals (Y/PB/PR signals)	37
List of supported signals (Video, S-Video signals)	37
Pin assignment of COMPUTER IN terminal	37
CONTROL terminal	38
Separately Sold Product	38

Checking the package contents

Please make sure that the following items are included in the box, along with the main unit. If an item is missing, please contact the store from which you purchased the product immediately.



- (1) Remote control
- (2) R03 (SIZE AAA) batteries for remote control (2)
- (3) Quick Reference
- (4) CD-ROM
- (5) Owner's Manual (Getting started)
- (6) Power cord (See note)
- (7) RGB cable
- (8) Video cable
- (9) Audio cable (for computer)
- (10) Audio cable
- (11) USB cable
- (12) Carrying bag

Note

The shape and number of power cords supplied vary depending on the product destination.

◆The Supplied CD-ROM

The supplied CD-ROM contains an owner's manual including information omitted in the Owner's manual (Getting started), Acrobat® Reader™, which is needed to view the manual.

■ Installing Acrobat® Reader™

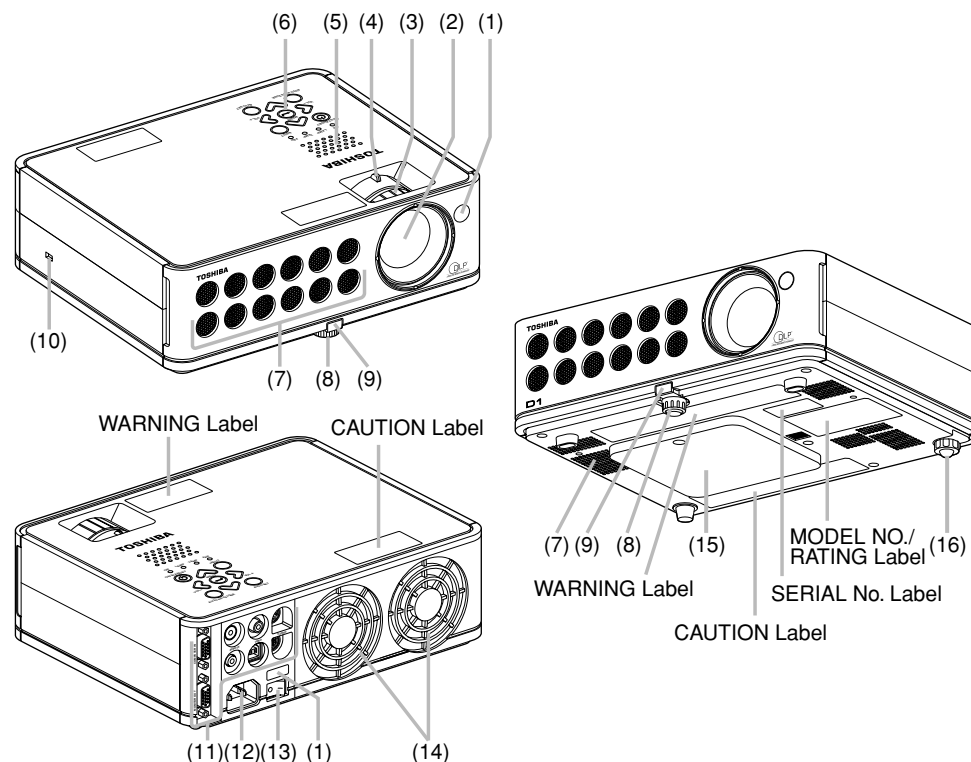
Windows: In the CD-ROM, select the **Reader/English** folder, and run **ar500enu.exe**. Follow the on-screen instructions.

Macintosh: In the CD-ROM, select the **Reader/English** folder, and run **Reader Installer**. Follow the on-screen instructions to install the software.

■ Viewing the manual

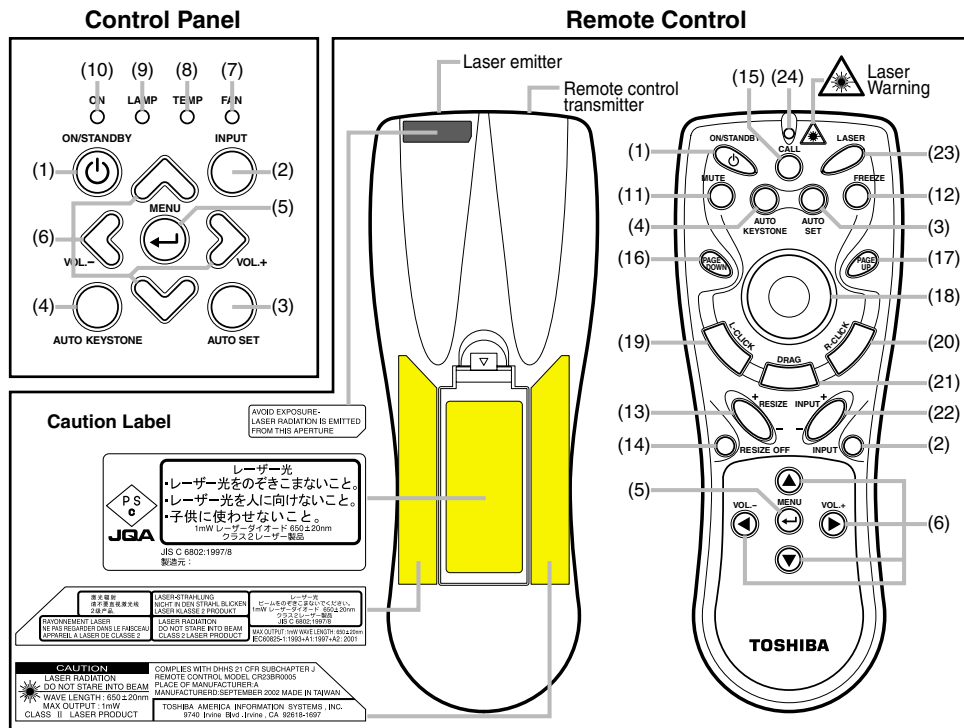
In the CD-ROM, double-click on **Start.pdf**. Acrobat® Reader™ launches, and the menu screen of the Owner's manual appears. Click on your language. The Owner's Manual cover and list of bookmarks appear. Click on a bookmark title to view that section of the manual. Click on **p.** to view a reference page with related information. See the Help menu for more information about Acrobat® Reader™.

Names of each part on the main unit



Name	: Function
(1) Infrared remote sensor	: Senses commands from the remote control p.16
(2) Lens	: Projects expanded image
(3) Focusing ring	: Adjusts screen focus p.22
(4) Zooming lever	: Adjusts screen size p.22
(5) Speaker	: Plays audio
(6) Control panel	: Operates the projector p.14
(7) Air intake	: Draws in air from outside unit
(8) Foot adjuster	: Adjusts the vertical projection angle p.22
(9) Foot adjuster release button	: Press to stow the foot adjuster p.22
(10) Anti-theft lock hole	: Attach a security chain, etc. here
(11) Connection terminal	: Connect to an external device p.18
(12) AC IN socket	: Connect the supplied power cord here p.19
(13) Main power switch	: AC power line ON/OFF p.19
(14) Air exhaust	: Expels air that has grown hot inside the projector
(15) Lamp cover	: Remove to replace lamp p.32
(16) Tilt adjuster	: Adjusts the projector's horizontal tilt p.22

Names of each part on the control panel and remote control



Caution - use of controls or adjustments or performance of procedures other than those specified herein may result in hazardous radiation exposure.

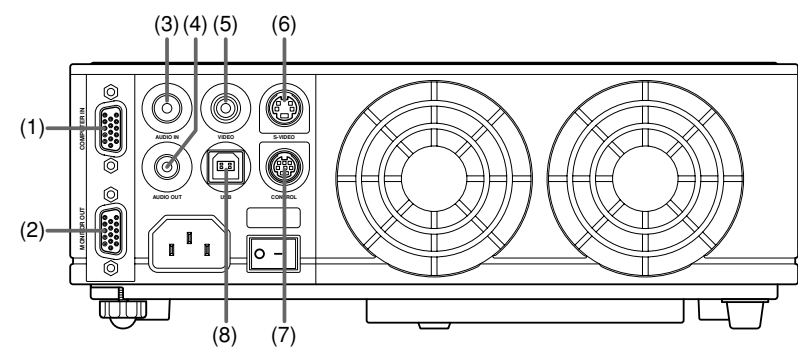
Name	Main Function
(1) ON/STANDBY button	: Turns the power on/off (standby) p.19
(2) INPUT button	: Selects input p.21
(3) AUTO SET button	: Sets up image and mode p.23
(4) AUTO KEYSTONE button	: Adjusts keystone (trapezoidal distortion) p.24
(5) MENU button	: Displays menus and makes selections p.27
(6) Selection button	: Menu selections and adjustments, etc. p.27
(7) FAN indicator	: Displays cooling fan mode p.20 p.33
(8) TEMP indicator	: Lights when internal temperature too high p.33
(9) LAMP indicator	: Displays lamp mode p.20
(10) ON indicator	: Displays whether power is on or off p.19
(11) MUTE button	: Cuts off the picture and sound temporarily p.24
(12) FREEZE button	: Pauses image p.25
(13) RESIZE button	: Enlarges picture size p.25
(14) RESIZE OFF button	: Turns off enlarged picture display p.25
(15) CALL button	: Displays the information on the screen p.26
(16) PAGE DOWN button	: Changes page of file (Computer operation) p.30
(17) PAGE UP button	: Changes page of file (Computer operation) p.30

- (18) Pointer control button : Moves mouse pointer (Computer operation) [p.30](#)
- (19) L-CLICK button : L-click of mouse (Computer operation) [p.30](#)
- (20) R-CLICK button : R-click of mouse (Computer operation) [p.30](#)
- (21) DRAG button : DRAG of mouse (Computer operation) [p.30](#)
- (22) INPUT + - button : Changes input source in order [p.21](#)
- (23) LASER button : Displays laser point
- (24) Laser indicator : Lights when laser point displaying

Notes

- For the remainder of this manual, buttons are referred to as follows:
 Selection button ⇒ ; MENU button ⇒

Names of the connection terminals

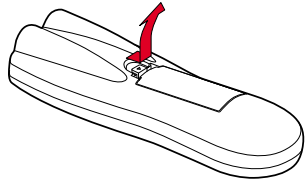


- (1) COMPUTER IN terminal**
Input RGB signal from a computer or other source, or a component video signal (Y/Pb/P_r) from video equipment.
- (2) MONITOR OUT terminal**
Connect to a computer display, etc.
- (3) AUDIO IN terminal**
Input audio signals from a computer or video equipment.
- (4) AUDIO OUT terminal**
Outputs audio signals adjusted volume by a projector
- (5) VIDEO terminal**
Input video signals from video equipment.
- (6) S-VIDEO terminal**
Input S video signals from video equipment.
- (7) CONTROL terminal**
When operating the projector via a computer, connect this to the controlling computer's RS-232C port. [p.38](#)
- (8) USB terminal**
Connect to a computer's USB port when using the remote-control mouse function. [p.30](#)

Preparing and using the remote control

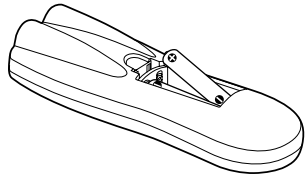
■ Loading dry-cell batteries into the remote control

① Remove the battery cover.



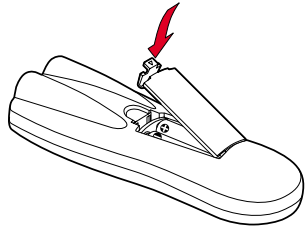
② Insert the dry-cell batteries.

Be sure to align the plus and minus ends of the batteries properly.



Two batteries (R03, SIZE AAA) are used.

③ Replace the battery cover.



■ Batteries

- Remove batteries from remote control when not using for extended periods.
- If the remote control stops working, or if its range decreases, replace all the batteries with new ones.

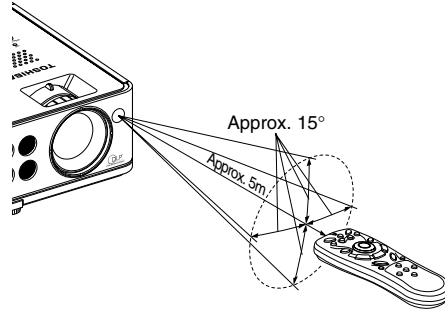
■ The remote control

- The remote control may fail to operate if the infrared remote sensor is exposed to bright sunlight or fluorescent lighting.
- Do not drop or bang.
- Do not leave in hot or humid locations.
- Do not get wet or place on top of wet objects.
- Do not take apart.
- In rare cases, ambient conditions could impede the operation of the remote control. If this happens, point the remote control at the main unit again, and repeat the operation.

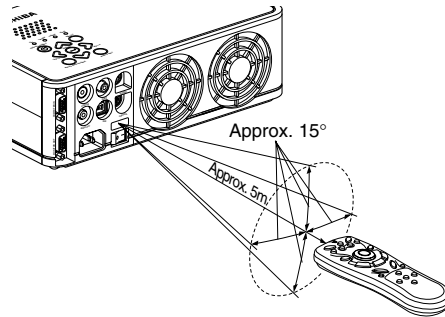
■ Operating the remote control

Point the remote control toward the projector's infrared remote sensor, and press a button on the remote control.

- Operating the projector from the front



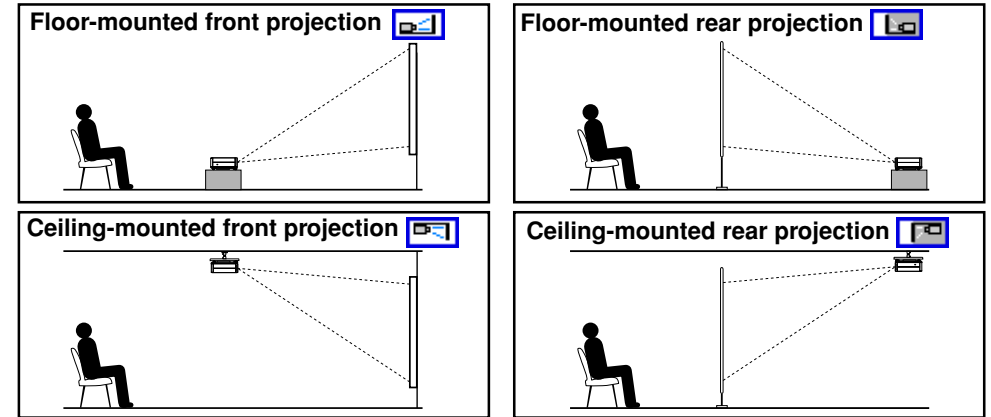
- Operating the projector from the rear



Placement

Placement Styles

As shown in the figures below, this device can be placed in 4 different styles. The factory setting is "floor-mounted front projection." Set the **placement style** in the **default setting menu** [p.28](#), in accordance with your needs.



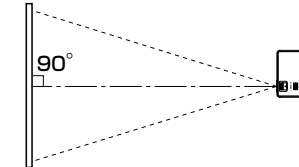
⚠ CAUTION

- Always obey the instructions listed in IMPORTANT SAFETY INSTRUCTIONS when placing the unit.
- If you wish to mount the projector on the ceiling, be sure to ask your dealer to do so. Mounting the projector on a ceiling requires special ceiling brackets (sold separately) and specialized knowledge. Improper mounting could cause the projector to fall, resulting in an accident.

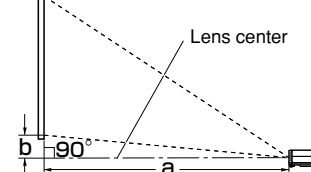
Projection Distance and Screen Size

Use the figures, table, and formula below to determine the screen size and projection distance. (Screen sizes are approximate values for full-size picture and no keystone adjustment)

Screen **As seen from above**



As seen from the side



$$a \text{ (min. length)} = \text{projection size (inches)} \times 0.0333$$

$$a \text{ (max. length)} = \text{projection size (inches)} \times 0.0406$$

$$b = \text{projection size (cm)} \times 0.096$$

screen size (cm)	projection distance a (m)		b (cm)
	min length (zooming max)	max length (zooming min)	
37 (94)	—	1.50	9.0
45 (114)	1.50	1.83	11.0
60 (152)	2.00	2.44	14.6
80 (203)	2.66	3.25	19.5
100 (254)	3.33	4.06	24.4
148 (376)	4.93	6.00	36.1
180 (457)	6.00	—	43.9

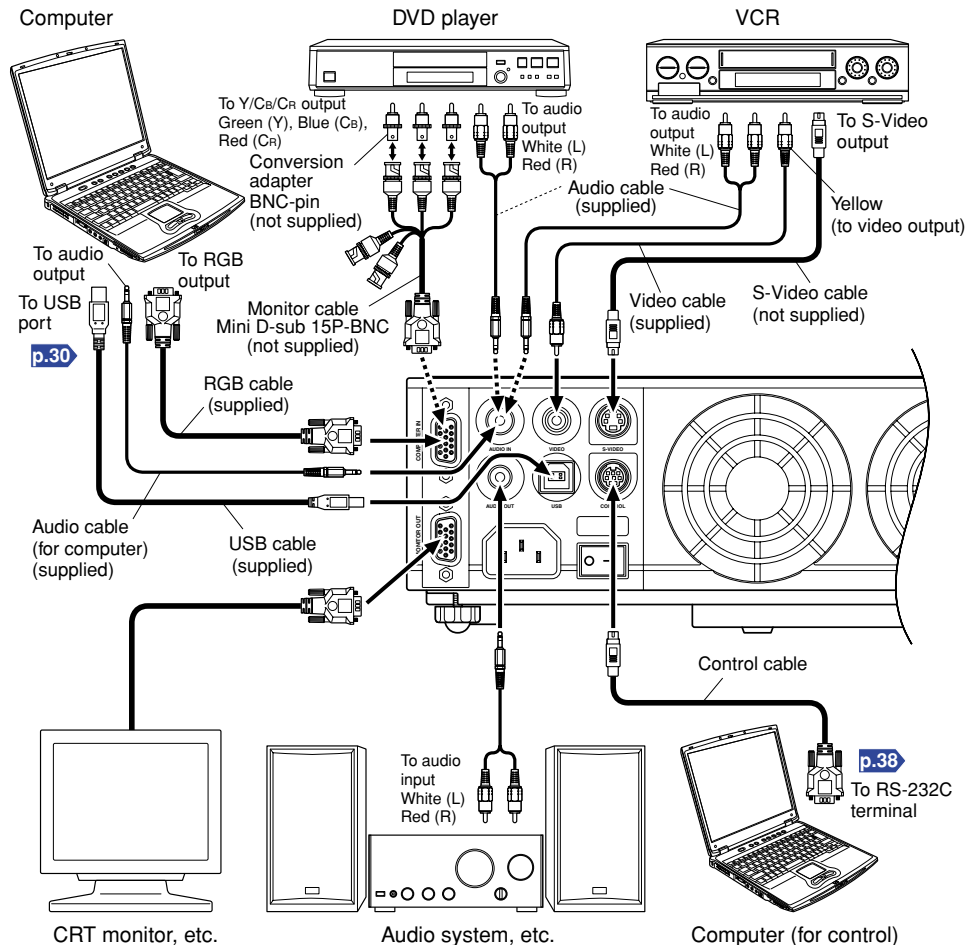
"a" is the distance (m) between the lens and the screen, and corresponds to a range of 1.4 m to 6 m.

"b" is the distance (cm) between the lens center and the bottom of the projection image.

Connection

Before connection

- Read the owner's manual of the device to be connected to the projector.
- Some types of computer cannot be used connected to this projector. Check for an RGB output terminal, supported signal [p.36](#), etc.
- Turn off the power of both devices before connection.
- The figure below is a sample connection. This does not mean that all of these devices can or must be connected simultaneously. (Dotted lines mean items can be exchanged.)



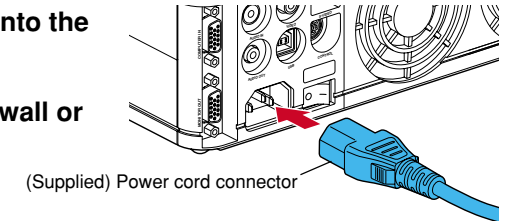
Note

- The AUDIO IN terminal is common among all the devices for input terminal.
- On the AUDIO OUT terminal, L and R mixture audio signal (monaural) that volume is adjusted by a projector is output.
- When a plug is inserted to the AUDIO OUT terminal, the projector's speaker outputs no sound.

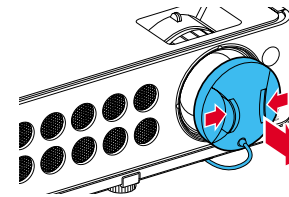
Turning the power on and off

Connecting the power cord

- 1 Insert the power cord connector into the AC IN socket of the projector.
- 2 Insert the power cord plug into a wall or other power outlet.



Removing the lens cover

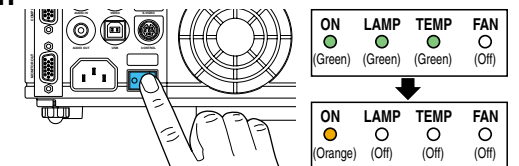


Be sure to remove the lens cover when the power is turned on. If it is left on, it could become deformed due to heat.

Turning the power on

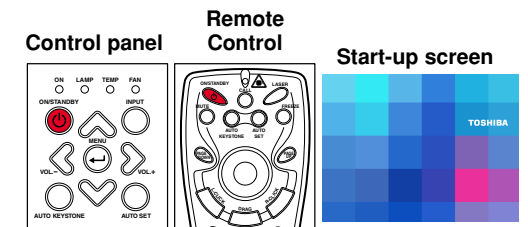
- 1 Turn on the main power switch

Then, following three green indicators will come on for several seconds: ON, TEMP, and LAMP. Next, the ON indicator will change to orange, indicating standby mode.



- 2 Press the ON/STANDBY button.

The power turns on, and the following 3 green indicators light: ON, LAMP, and FAN. After a moment, the start-up screen appears.



CAUTION

- Do not look into the lens during operation. Doing so could damage your vision.
- Do not block the air intake or exhaust. Doing so could cause a fire due to internal overheating.
- Do not place your hands, face, or other objects near the air exhaust. Doing so could cause burns, deform/break the object.

Turning the power on and off (Continued)

Notes

- The start-up screen will disappear after a moment. You can dismiss the start-up screen before this by performing any operation. You can also configure the start-up screen not to appear via the **Display setting menu** [p.29](#).
- The first time you use the projector after purchase, after the start-up screen disappears, the Language menu is displayed [p.21](#).

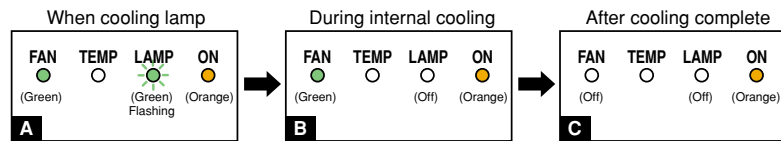
Turning the power off

1 Press the ON/STANDBY button.

A message appears on the screen, confirming that you wish to shut off the power. This message will disappear after a moment. (This operation is no longer valid after the message disappears.)

2 Press the ON/STANDBY button again.

The screen turns off, but the internal cooling fan continues to operate for a short while. Then, the projector goes into standby mode.



- A** During cooling, the LAMP indicator flashes. In this state, the power cannot be turned back on. In addition, unplugging the power cord or turning off the main power switch in this state will shorten the life of the lamp.
- B** After the LAMP indicator goes off, the cooling fan continues to operate for a short while, in order to expel excess internal heat. If you are in a hurry, there is no problem with unplugging the power cord or turning off the main power switch in this state.
- C** In standby mode

Note

- The projector consumes about 6W of power in standby. We recommend that you unplug the power cord or turn off the main power switch if you will not be using the projector for an extended period.

PRECAUTIONS

- Before unplugging the power cord or turning off the main power switch, make sure that the LAMP indicator is off. Unplugging the power cord or turning off the main power switch and cutting off the power while the projector is running or being cooled will shorten the life of the lamp. **However, please unplug the power cord if the projector locks up or acts abnormally.**
- If the power cord is unplugged before cooling is complete, give the lamp time (about 10 minutes) to cool before plugging it back in. If the lamp overheats it may fail to light, and its lifetime will be shortened.

Basic operations

1 Turn on the power.

Turn on the power, following the instructions in “Turning on the power” [p.19](#).

2 Select language (When using for first time).

When the projector is used for the first time after purchase, a message is displayed on the screen, and the language menu appears. The default language is English. (If the screen focus is not on the menu, adjust according to step 6.)

1 Use the ▲ ▼ buttons to select the desired language, and press the ⏻ button.

A message displays the selected language.

2 Press the ⏻ button to erase the message.

English	English
Français	French
Deutsch	German
Italiano	Italian
Español	Spanish
Português	Portuguese
日本語	Japanese
中文(简体字)	Chinese (simplified)
中文(繁體字)	Chinese (traditional)
한국어	Korean

Notes

- After the first time the projector is turned on, the Language menu does not appear upon startup. However, from the **Reset menu** [p.29](#) select “Reset all” to display the Language menu the next time the projector is turned on.
- The language can also be set via the **Display setting menu** [p.29](#).
- This owner's manual assumes that English has been selected.

3 Place connected device(s) in operating status.

Turn on and boot up connected computers and other devices.

Select “Cancel” or install driver contained in the supplied CD-ROM, when the dialog box of the Add New Hardware Wizard screen appears on the computer when connecting a computer. (The supplied CD-ROM contains a driver information file named TOSHIBA_TDP.inf. Click the Browse button of the dialog box to find and designate this file.)

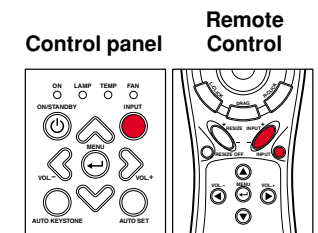
4 Select input.

1 Press the INPUT button.

A list of inputs appears on the screen.

2 Use the ▲ ▼ buttons to select the desired input, and press the ⏻ button.

The picture for the selected input is projected.



Computer
Y/P_B/P_R
Video
S-video

Basic operations (Continued)

5 Projector placement angle adjustments

The placement angle and the height of the projected image can be adjusted by the foot adjuster.

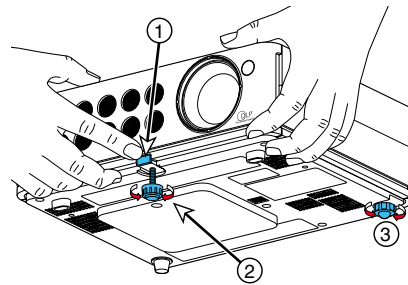
- 1 Lift up the front of the projector until it is at the desired angle, then press the foot adjuster release button.

The foot adjuster extends. Release the button to lock the position.

- 2 Turn the foot adjuster to fine-tune the angle.

- 3 To adjust the horizontal angle, use the tilt adjuster.

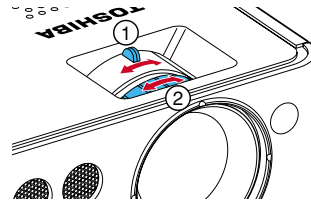
To stow the foot adjuster, hold up the projector while pressing the foot adjuster release button, then slowly lower the projector will the button depressed.



6 Adjusting the picture size and focus

- 1 Use the zooming lever to adjust the screen size.

- 2 Use the focusing ring to adjust the focus.



7 Adjusting the volume with the ◀ ▶ buttons

The speaker volume can be adjusted when an audio signal is being input.

Notes

- Note that the lamp characteristics may rarely cause the brightness to fluctuate slightly.
- A lamp is consumable supplies. If used for extended periods, images will appear dark, and the lamp could burn out. This is characteristic of a lamp, and is not malfunction. (The lifetime of the lamp depends on conditions of use.)
- The DMD™ is made using extremely advanced technology, but there may be black spots (pixels that do not light) or bright spots (pixels that are constantly lit) on the panel. Please note that these are not malfunctions.
- Although this projector supports a wide range of RGB signals [p.36](#), any resolutions not supported by this projector (XGA) will be expanded or shrunk, which will affect image quality slightly. To view high-quality images, it is recommended that the computer's external output should be set to XGA (1,024 x 768) resolution.
- With some models of computer having LCD displays or the like, displaying images simultaneously on the projector and the monitor's display may prevent the images from displaying properly. If this happens, turn off the computer's LCD display. For information on how to turn off the LCD display, see the owner's manual of your computer.
- If a signal not supported by the projector is input, the icon will appear.
- If a no signal is being input from the connected device, the icon will appear.
- If an unavailable operation button is pressed, the icon will appear.

Using handy features

Using auto setting (Auto setting)

This function sets up the projector to the optimum state for each type of the input signal by using simple operations.

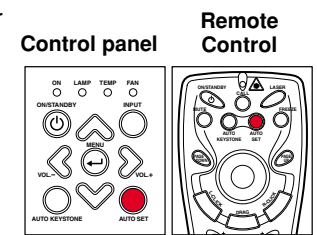
- 1 Press the AUTO SET button.

The Auto setting menu appears.

- 2 Press the AUTO SET button again.

The menu item is automatically adjusted/set.

For computer input, the icon will appear during processing.



Note

- Auto adjustment/setting may not be performed correctly for input signals other than those supported by the projector [p.36](#), [p.37](#).

Manual adjustment and setting

The menu items vary according to the input type, as shown in the table below.

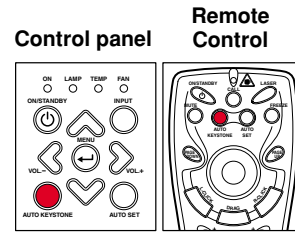
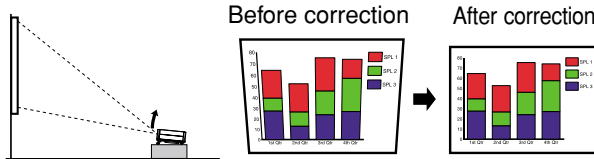
Use the , , , , buttons to adjust the items in the table below, then press the button when you are finished. The menu disappears.

Input	Item	Description
Computer	Phase	Adjust with , to eliminate flicker.
	Frequency	Adjust with , to eliminate periodic patterns and flickering when many vertical lines appear in the screen.
	H-position	Move left , Move right
	V-position	Move up , Move down
Y/Pb/Pr	Phase	Adjust with , to eliminate flicker.
	Signal format	[]: Enter to setting mode → [,]: Select one of the following → [Apply:] 480i(525i)@60Hz/480p(525p)@60Hz/ 576i(625i)@50Hz/576p(625p)@50Hz/ 720p(750p)@60Hz/720p(750p)@50Hz/ 1080i(1125i)@60Hz/1080i(1125i)@50Hz/ 1035i(1125i)@60Hz/1152i(1250i)@50Hz
Video S-video	Video mode	[]: Enter to setting mode → [,]: Select one of the following → [Apply:] NTSC/PAL/SECAM/PAL-N/PAL-M/PAL60/NTSC4.43

Using handy features (Continued)

■ Correcting the keystone distortion (Keystone)


When the foot adjuster [p.22](#) is used to change the projection angle, the picture will undergo keystone (trapezoidal) distortion. This projector is capable of correcting this keystone distortion.






1 Press the AUTO KEYSTONE button.




The Keystone menu appears.

2 Press the AUTO KEYSTONE button again.

The keystone distortion is automatically corrected. The  icon will appear during processing.

● Manual adjustment

Use the   buttons for keystone adjustment. When the adjustment is finished, press the  button. The menu disappears.

Item	Description
 Keystone	Shrink screen bottom   Shrink screen top

■ Notes

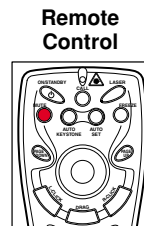
- Depending on the amount of keystone adjustment and the contents of images, some information may be lost, or the picture quality may suffer.
- Keystone adjustment will not change the shape of the menus.

■ Cutting off the picture and sound temporarily (Mute)


When you want to temporarily project the images of another projector, overhead projector, etc., this projector's images and sound can be turned off.

● Press the remote control's MUTE button.

The picture and sound are cut off. The Mute function is released when pressing the MUTE button again.



■ Notes

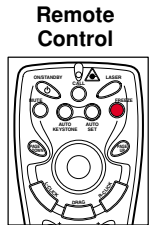
- The  icon will appear while mute is in effect.
- Operating any other function exits the muting.

■ Freezing the image (Freeze)


The image being projected can be made to be frozen. This function is to be used to pause a video during a presentation, etc.

● Press the remote control's FREEZE button.

The picture is paused. The Freeze function is released when pressing the FREEZE button again.



■ Notes

- The  icon will appear while freeze is in effect.
- The freeze function can be used on the resize function. Other operations will release the freeze.
- Even if an image is frozen on the projector, it is still changing on the video or other equipment.

■ Enlarging the picture size (Resize)

The image being projected can be enlarged.

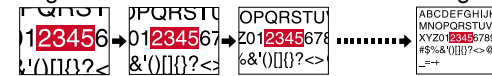
1 Press the remote control's RESIZE (+) button.

The enlargement ratio is increased each time the RESIZE (+) button is pressed.



2 To decrease the enlargement ratio, press the remote control's RESIZE (-) button.

The enlargement ratio is decreased each time the RESIZE (-) button is pressed. (The image cannot be shrunk to less than its original size.)




3 Press and hold down the buttons to move the enlarged area.

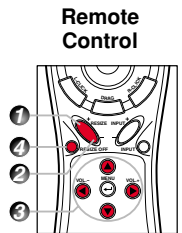


4 Press the RESIZE OFF button to undo the resize.

The resize is released, and the image returns to its original size.

■ Notes

- The  icon will appear while resize is in effect.
- An enlarged image can be frozen using the FREEZE button. The resize function on a frozen image can also be used.
- Operations other than freeze will release the resize.
- Since the enlargement is performed using digital processing, enlarging the image will cause it to appear jagged.
- Rarely, the picture could become garbled while the enlarged area is being moved.



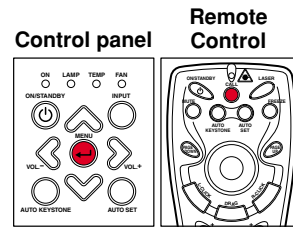
Using handy features (Continued)

■ Displaying Information [Status display]

This displays information about the input signal, lamp use time, etc.

- Press the button twice (or press the CALL button on the remote control once).

When the button is pressed once, the **Setting display menu** appears. Pressing it again displays information [p.27](#). The table below shows what kind of information is displayed. Press the button (or the CALL button on the remote control) again to dismiss the display.



“Yes”: displayed, “No”: not displayed

Item	Description	Computer	Y/Pb/Pr	Video	S-video
Input	Input source name	Yes	Yes	Yes	Yes
RGB signal mode	RGB input mode ^[Note 1]	Yes	No	No	No
H-resolution	Horizontal resolution (in bits)	Yes	No	No	No
V-resolution	Vertical resolution (in bits)	Yes	No	No	No
H-frequency	Horizontal sync frequency	Yes	No	No	No
V-frequency	Vertical sync frequency ^[Note 2]	Yes	No	No	No
Sync	Sync signal polarity ^[Note 3]	Yes	No	No	No
Signal format	Y/Pb/Pr signal format	No	Yes	No	No
Video mode	Color method of video signal	No	No	Yes	Yes
Lamp time	Time of lamp use ^[Note 4]	Yes	Yes	Yes	Yes
Version	Firmware version ^[Note 5]	Yes	Yes	Yes	Yes

Notes

- 1: The mode of supported RGB signals [p.36](#) is shown.
- 2: Same as the refresh rate of the computer signal.
- 3: Sync signal polarity shown as P (positive) or N (negative) for [H/V].
- 4: Displays **[Lamp time]** as a measure of when the lamp should be replaced. (Cannot be used as a counter of guaranteed lamp time.) When the time displayed approaches 1,500 hours, consult with a store about getting a replacement lamp (for TDP-D1: TDPLD1 and for TDP-D2: TDPLD2) (sold separately) prepared.
- 5: **[Version]** shows the version of the projector's internal control program. This version is referred to for customer service, etc.

■ Notes

- The displayed information will not be refreshed if the status changes. To refresh the information, dismiss the display, then display it again.
- Conducting another operation while information is being displayed dismisses the display.

Using the menus

You can call up on-screen menus, and conduct a number of adjustments and settings, using the operation buttons [p.14](#) on the control panel (main unit side) and remote control.

■ How to use the menus

The menu shown below is only for operation instructions and might be different from the actual display.

- 1. Start** Display the **Setting display menu**

2. **Select a Category**

Select a category by using . There are following three categories.

- Image adjustment menu** [p.28](#)
- Default setting menu** [p.28](#)
- Display setting menu** [p.29](#)

Displays the current adjustments of selected category. Item shown with gray cannot be adjusted for the current input source.

3. **Adjustments & Settings**

Press to open the menu of the selected category.

The figure shows a typical example. As the display may differ depending on the item, use the following pages as a reference.

- These marks signify the items can be adjusted/set by using .
- These marks signify an item can be switched by using .
- This mark signify that there are options. Press to display a list of options.
- These marks signify the items can be selected from the list by using . After an item selected, apply it by pressing .

4. **Back**

5. **To Finish** Finish via the Status display menu.

To Status display [p.26](#)

6. **End** The menu disappears

■ Note

- Menu adjustments and settings are saved when the power is turned off via the ON/STANDBY button. If the main power switch is turned off before this, or the power goes out, then the data will not be saved.

Using the menu (Continued)

■ The image adjustment menu

Use this menu to adjust image-related items.

Items that can be adjusted are marked with “Yes”, and those that cannot are marked with “No”.

Item ▲ ▼	Description	Computer	Y/Pb/Pr	Video	S-video
Contrast	Lower ◀ ▶ Higher	Yes	Yes	Yes	Yes
Brightness	Darker ◀ ▶ Brighter	Yes	Yes	Yes	Yes
Color	Lighter ◀ ▶ Deeper	No	Yes	Yes	Yes
Tint [Note 1]	Reddish ◀ ▶ Greenish	No	No	Yes	Yes
Sharpness	Softer ◀ ▶ Sharper	No	Yes	Yes	Yes
R-level	Less red ◀ ▶ More red	Yes	Yes	Yes	Yes
G-level	Less green ◀ ▶ More green	Yes	Yes	Yes	Yes
B-level	Less blue ◀ ▶ More blue	Yes	Yes	Yes	Yes
Up/down shift [Note 2]	Shift down ◀ ▶ Shift up	No	Yes	Yes	Yes

Notes

- 1: **Tint** can only be adjusted when **Video mode** p.23 is **NTSC** or **NTSC4.43**.
- 2: **Up/down shift** can only be adjusted when **Screen size** p.29 is **Wide**. During the adjustment, the picture may be instability.

■ The default setting menu

This menu shows placement status and other settings.

Item ▲ ▼	Description
Projection mode	Set projection mode in accordance with Placement Style p.21 (Placed on floor) ◀ ▶ (Rear) ◀ ▶ (Hung from ceiling) ◀ ▶ (Back hung from ceiling)
No signal power off	Set the time to wait after signal input stops until turning off the power: Off (not turned off) ◀ ▶ 1 min ◀ ▶ 2 min ◀ ▶ ... ◀ ▶ 60 min
Power on	Set whether to turn on the power when the ON/STANDBY button is pressed (Manual), or the main power switch is used (Auto). Manual ◀ ▶ Auto
Lamp power [Note 1]	Set the lamp power Standard ◀ ▶ Low
Standby mode [Note 2]	Set standby mode according to functions used Standard ◀ ▶ Economy

Note

- 1: When **lamp power** is set to **low**, the screen becomes a little darker, but the cooling fan noise gets quieter. This setting will be cleared when you turn the power off.

■ Notes

- Note that if **Power on** is set to **Auto**, then if the main power switch is turned on when power is restored after a power outage, the projector power will come on.
- Even if **Power on** is set to **Auto**, press the **ON/STANDBY** button to turn off the power. Turning off the main power switch to cut off the power will shorten the life of the lamp.

■ The display setting menu

Use this menu to set screen display-related items.

Item ▲ ▼	Description
Screen size	◀ ▶ ◀ ▶ ◀ ▶ (Full): Display with native resolution (1,024 x 768 pixels) (Thru): Display with sampling resolution (for computer input) (Wide): Wide-screen display (for Video, S-video, and Y/Pb/Pr)
Language	Select one of the languages below to use for displaying menus and messages [◀ ▶ : Enter setting mode] → [▲ ▼ : Selection] → [Apply: ▶] English/Français/Deutsch/Italiano/Español/Português/日本語/中文(简体字)/中文(繁体字)/한국어
Background	Screen to display when there is no input signal (Logo) ◀ ▶ (Blue) ◀ ▶ (None)
Icon	Display icons as function guides On ◀ ▶ Off
Start-up screen	Display start-up screen when power turned on On ◀ ▶ Off

■ Note

- If “Thru” is selected for **screen size**, portions exceeding the native resolution will not appear on the screen. Note that for RGB signals with clock frequency 140MHz or lower, all input pixel signals are sampled. (This effect is noticeable when the screen is enlarged using the **Resize** function p.36). However, if the clock speed is higher than this, the RGB pixel signal is thinned before sampling.

■ Reset menu (Special menu)

This menu is displayed when other menus are not displayed, and the button is held down until the menu appears.

- When the screen is placed vertically, and **Auto keystone correction** is executed, but the keystone correction is not successful, stow the foot adjuster in its original position, place the projector on a flat surface, select **Horizontal reference value reset**, and press the button.
- Select **Reset All** and press the button to return all menu items to the factory settings.

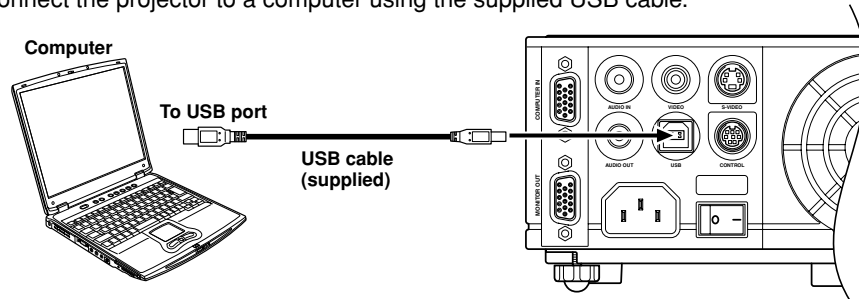
Item ▲ ▼	Description
Horizontal reference value reset	Reset the horizontal reference value for Auto keystone correction [◀ ▶ : Enter execution mode] → [Yes ▲ ▼ No] → [Apply: ▶]
Reset all	Reset all menu items to their factory settings [◀ ▶ : Enter execution mode] → [Yes ▲ ▼ No] → [Apply: ▶]

Operating a computer using the remote control

A computer can be operated using the projector's remote control. This function is available on any computer with the Windows 98SE, Windows Me, Windows 2000, Windows XP, Mac OS 9, or Mac OS X, that is equipped with a USB port which can support USB1.1. However, please note that Toshiba does not guarantee the operation of all computers.

1 Connecting a computer

Connect the projector to a computer using the supplied USB cable.



2 Operating a computer

● Moving the mouse pointer

Move the pointer control button in the direction that you wish the mouse pointer to move, then press.

● To left click

Press the L-CLICK button.

● To right click

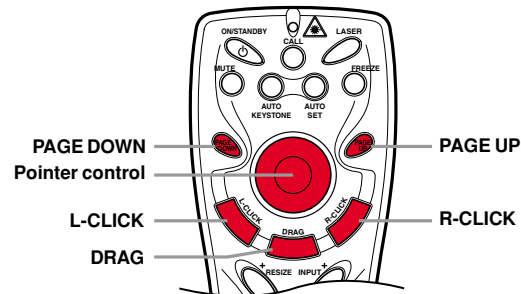
Press the R-CLICK button.

● To drag and drop

Press the DRAG button on the object. Next, move the object to the position where you wish by using the pointer control button then press the DRAG button again.

● Changing page of file

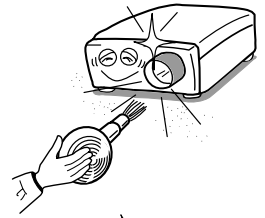
Use the PAGE UP and PAGE DOWN buttons to switch PowerPoint® slides, etc.



Lens and main unit cleaning

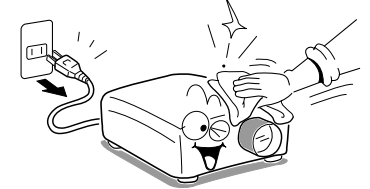
■ Lens cleaning

- Clean the lens with a commercially available blower and/or lens cleaner.
- The lens is easily scratched, so do not rub it with hard objects, or strike it.



■ Main unit cleaning

- Clean the main unit after unplugging the power cord.
- Wipe dirt off the main unit gently with a soft cloth.
- If the soiling is severe, dip the cloth in a neutral detergent diluted in water, wring well, and gently wipe off the dirt, then finish up by wiping with a dry cloth.



● Replacing cooling fans

To maintain the performance, it is recommended that cooling fans should be replaced about every 2 to 3 years. Consult with your dealer for details.

Lamp replacement

A lamp is consumable supplies. If used for extended periods, images will appear dark, and the lamp could burn out. This is characteristic of a lamp, and is not malfunction. (The lifetime of the lamp depends on conditions of use.) If this happens, replace it with a new one.

⚠ CAUTION

- Request cleaning and maintenance of a ceiling-mounted unit from your projector dealership.
- When replacing, always use the specified lamp (for TDP-D1: TDPLD1 and it for TDP-D2: TDPLD2) (sold separately).
- If you have been using the projector, the lamp will be very hot, and may cause burn injuries. Wait for the lamp to cool (for longer than 1 hour) before replacing it.
- If the lamp should break, please handle with care to avoid injury due to broken pieces and contact your dealer for repair service.

1 Unplug power cord.

2 Wait until lamp is sufficiently cooled.

Wait for at least 1 hour.

Lamp replacement (Continued)

3 Remove the lamp cover.

Loosen the screws and remove the lamp cover.

4 Pull out the lamp.

Loosen the three screws holding the lamp in place, and pull on the handle to remove the lamp.

5 Mount the new lamp.

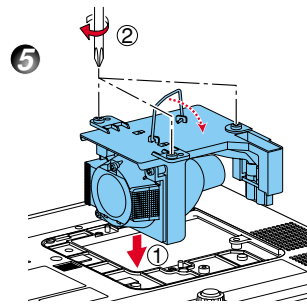
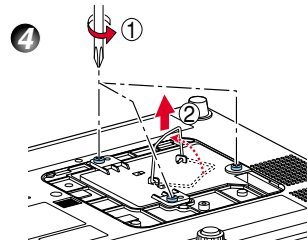
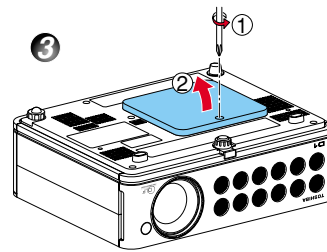
Align the orientation, press down until the bottom is reached, and lock in place using the three lamp locking screws.

6 Replace the lamp cover.

Align the cover, and press it in, then screw in the screw loosened in step 3 until the lamp cover is no longer loose.

7 Reset the lamp timer.

See the lamp's manual for instructions on resetting the lamp timer.



Notes and Precautions

- Press the button twice to display (a rough guide) of the time of use from the **Lamp time** item on the **Status display menu**. [p.26](#)
- As a rule of thumb, it is recommended that the lamp should be replaced after 1,500 hours of use. When **Lamp time** reaches 1,500 hours, the icon and a message will appear. When pressing the button, the message disappears.
- Attach the lamp cover correctly so that it is not loose. If it is not attached correctly, the lamp may fail to come on [p.33](#), and the lamp's lifetime may be shortened.
- Always replace the lamp with a new one.
- The lamp is made out of glass. Do not touch the glass surface with your bare hands, bang it, or scratch it. (Dirt, jolts, scratches and the like could break the lamp.)

Used Lamps

This projector's lamps contain trace amounts of environmentally harmful inorganic mercury. Be careful not to break used lamps, and dispose it in accordance with local regulations.

Trouble indications

The indicator lights inform you of internal abnormalities.

<p>ON LAMP TEMP FAN </p>	<p>No power</p> <p>⇒ Problem with projector</p> <ul style="list-style-type: none"> Unplug the power cord, and contact your dealer. The lamp cover is not properly attached. Unplug the power cord, and reattach the lamp cover. p.32
<p>ON LAMP TEMP FAN </p>	<p>Lamp went out during use, or won't come on</p> <p>⇒ The abnormal indication of the LED continues for about 1 minute then the projector returns to standby mode after cooling for a while. If the projector fails to operate normally after turning the power back on, either the lamp needs replacing, or there is a problem with the projector.</p> <ul style="list-style-type: none"> If a lamp burns out, replace it with a new one. Unplug the power cord, and contact your dealer.
<p>ON LAMP TEMP FAN </p> <p>Or </p>	<p>Power went out during use, or power won't come on</p> <p>⇒ Internal overheating, or the outside temperature is too high.</p> <ul style="list-style-type: none"> Place the projector so that the air intake and exhaust are not blocked. Unplug the power cord and wait for a short while, then turn the power back on. Clean the air filter. p.30 <p>※ The icon will appear before the power goes out.</p> <p>※ The abnormal indication of the LED continues for about 1 minute then the projector returns to standby mode after cooling for a while.</p>
<p>ON LAMP TEMP FAN </p> <p>Or </p>	<p>Power went out during use, or power won't come on</p> <p>⇒ Problem with internal cooling fan.</p> <ul style="list-style-type: none"> Unplug the power cord, and contact your dealer. <p>※ The icon will appear before the power goes out.</p> <p>※ The abnormal indication of the LED continues for about 1 minute then the projector returns to standby mode after cooling for a while.</p>

PRECAUTIONS

- Make sure to unplug the power cord if something goes wrong.
- If the power cord is unplugged before cooling is complete, give the lamp time (about 10 minutes) to cool before plugging it back in. If the lamp overheats it may fail to light. Unplugging the power cord repeatedly when the temperature is high will shorten the life of the lamp. (Even if you are not concerned about lamp lifetime, the light may not come on if you do not wait at least 3 minutes.)

Before calling service personnel

If you think something is wrong, check the following before contacting customer service. Please see “**Trouble indications**” [p.33](#) as well.

If This Happens	Check
No power	<ul style="list-style-type: none"> Is the power cord plugged in? Is it connected to the projector? Is the lamp cover loose? p.33
Power goes out during use	<ul style="list-style-type: none"> Is the ambient temperature high? p.33 Is the air intake or air exhaust blocked? p.33
No picture	<ul style="list-style-type: none"> Is the input source selecting properly? p.21 Is the mute function on? p.24 Is the brightness setting minimized? p.28 Are the connections set up correctly? p.18 Are all the connected devices functioning properly?
No audio	<ul style="list-style-type: none"> Is a plug inserted to AUDIO OUT terminal? p.18 Is the mute function on? p.24 Is the volume setting minimized? p.22 Are the connections set up correctly? p.18 Are all the connected devices functioning properly?
Picture not displayed correctly	<ul style="list-style-type: none"> Is the input signal supported by the projector? p.36 , p.37 Is the correct video mode selected? p.23 Is the correct signal format selected? p.23 Is the selecting of computer or Y/P_B/P_R input correct? p.21 Is there something generating an abnormal video signal, for instance the video tape?
Picture blurred Part of picture out of focus	<ul style="list-style-type: none"> Is the lens dirty? p.31 Is the lens focus adjusted optimally? p.22 Is the projection distance within the projector's supported range? p.17 Is the projector's screen placement angle tilted too far? p.17 Are the sharpness or sampling phase adjustments off? p.28 p.23
Image is dark	<ul style="list-style-type: none"> Are the brightness or contrast adjustments off? p.28 Is the lamp nearing the end of its service life? p.26
Colors too light Bad shading	<ul style="list-style-type: none"> Are the color, tint, R-level, G-level, or B-level adjustments off? p.28 Is the screen dirty? Is the lamp nearing the end of its service life? p.26
Remote control doesn't work	<ul style="list-style-type: none"> Are the remote control's batteries drained? Are the batteries inserted into the remote control correctly? p.16 Is the remote control being used within the effective range? p.16 Are there any obstructions between the remote control and projector? Are there any fluorescent or other bright lights shining at the projector's infrared remote sensor?

Specifications

■ List of general specifications

Item	Specification	
Consumption Power	340 W	
Weight	2.4 kg	
External Dimensions (including protruding parts)	248 × 90 × 201 mm (W × H × D)	
Cabinet material	Magnesium alloy, Aluminum alloy	
Conditions for usage environment	Temp: 0°C to 35°C; relative humidity: 30% to 70%	
Display system	DLP™ (1-tip DMD™)	
Native resolution	1,024H × 768V XGA	
Lens	Zoom lens F=2.4-2.6 f=24.19-30.65 mm	
Lamp	High-pressure mercury lamp	
Projection screen size	37 - 180 inches	
Projection distance	1.5 - 6 m	
Speaker	1 W (Monaural)	
Connection terminal	COMPUTER IN terminals	Mini D sub 15 pin RGB / Y/P _B /P _R (dual use)
	MONITOR OUT terminal	Mini D sub 15 pin RGB / Y/P _B /P _R (dual use)
	S-VIDEO terminal	Mini DIN 4 pin
	VIDEO terminal	RCA Pin Jack, 1 V (p-p), 75 Ω
	AUDIO IN terminal	3.5 mm dia. stereo mini-jack, 1.5 V (rms); 22 kΩ or more
	AUDIO OUT terminal	3.5 mm dia. stereo mini-jack, 1.5 V (rms); 8 Ω or more
	CONTROL terminal	Mini DIN 8 pin (RS-232C)
USB terminal	Type B (USB 1.1)	

Specifications (Continued)

List of supported signals (RGB signals)

This projector supports the following RGB signals. Note, however, that depending on the computer model, the screen may show flicker or streaking. Please adjust the projector if this happens.

(Press the AUTO SET button, and adjust automatically or manually. [p.23](#))

Resolution	Mode	Refresh rate (Hz)	H-frequency (kHz)	Clock (MHz)
720 x 400	720x400_85	85.039	37.927	35.500
640 x 480	VGA_60	59.940	31.469	25.175
	VGA_72	72.809	37.861	31.500
	VGA_75	75.000	37.500	31.500
	VGA_85	85.008	43.269	36.000
800 x 600	SVGA_56	56.250	35.156	36.000
	SVGA_60	60.317	37.879	40.000
	SVGA_72	72.188	48.077	50.000
	SVGA_75	75.000	46.875	49.500
	SVGA_85	85.061	53.674	56.250
832 x 624	MAC16"	74.550	49.725	57.283
1024 x 768	XGA_43i	86.957	35.522	44.900
	XGA_60	60.004	48.363	65.000
	XGA_70	70.069	56.476	75.000
	XGA_75	75.029	60.023	78.750
	XGA_85	84.997	68.667	94.500
	MAC19"	74.700	60.134	79.857
1152 x 864	SXGA1_75	75.000	67.500	108.000
1280 x 960	QuadVGA_60	60.000	60.000	108.000
	QuadVGA_85	85.002	85.938	148.500
1280 x 1024	SXGA3_60	60.020	63.981	108.000
	SXGA3_75	75.025	79.976	135.000
	SXGA3_85	85.024	91.146	157.500
1400 x 1050	SXGA+	60.012	63.973	118.094
1600 x 1200	UXGA_60	60.000	75.000	162.000
	UXGA_65	65.000	81.250	175.500
	UXGA_70	70.000	87.500	189.000
	UXGA_75	75.000	93.750	202.500
	UXGA_85	85.000	106.250	229.500
1792 x 1344	1792x1344_60	60.000	83.640	204.750
1856 x 1392	1856x1392_60	60.000	86.333	218.250
1920 x 1440	1920x1440_60	60.000	90.000	234.000

Note

- Signals whose resolution exceeds the native resolution (1,024 x 768 pixels) will be compressed. For this reason, some information may be lost, or image quality may be affected.

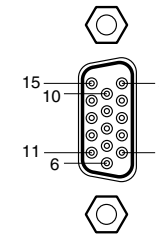
List of supported signals (Y/Pb/Pr signals)

Signal format	fh(kHz)	fv(Hz)
480i(525i)@60Hz	15.73	59.94
480p(525p)@60Hz	31.47	59.94
576i(625i)@50Hz	15.63	50.00
576p(625p)@50Hz	31.25	50.00
720p(750p)@60Hz	45.00	60.00
720p(750p)@50Hz	37.50	50.00
1080i(1125i)@60Hz	33.75	60.00
1080i(1125i)@50Hz	28.13	50.00
1035i(1125i)@60Hz	33.75	60.00
1152i(1250i)@50Hz	31.25	50.00

List of supported signals (Video, S-Video signals)

Video mode	fh(kHz)	fv(Hz)	fsc(MHz)
NTSC	15.73	60	3.58
PAL	15.63	50	4.43
SECAM	15.63	50	4.25 or 4.41
PAL-M	15.73	60	3.58
PAL-N	15.63	50	3.58
PAL-60	15.73	60	4.43
NTSC4.43	15.73	60	4.43

Pin assignment of COMPUTER IN terminal



Mini D sub 15 Pin connector
Input Signal

- RGB input
 - R/G/B signals: 0.7V (p-p) 75 Ω
 - Horizontal sync signal: TTL level (Pos/neg polarity)
 - Vertical sync signal: TTL level (Pos/neg polarity)
- Y/Pb/Pr input
 - Y signal: 1.0V (p-p) 75 Ω
 - Pb/Pr signals: 0.7V (p-p) 75 Ω

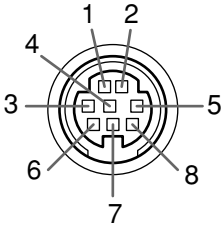
Pin No.	Pin description	
	During RGB input	During Y/Pb/Pr input
1	Video signal (R)	Color difference signal (P _R)
2	Video signal (G)	Luminance signal (Y)
3	Video signal (B)	Color difference signal (P _B)
4	GND	*
5	GND	*
6	GND (R)	GND (P _R)
7	GND (G)	GND (Y)
8	GND (B)	GND (P _B)
9	N.C	*
10	GND	*
11	GND	*
12	DDC data	*
13	Horizontal sync signal	*
14	Vertical sync signal	*
15	DDC clock	*

* Do not connect anything.

Specifications (Continued)

■ CONTROL terminal

● Pin assignment



Mini DIN 8 pin connector

Pin No.	Signal Name	Description
1	RXD	Receiving data
2	CTS	Consent to send
3	DSR	Data set ready
4	GND	Signal ground
5	RTS	Request to send
6	N.C	No connection
7	TXD	Sending data
8	N.C	No connection

● Interface format

- | | | |
|---|----------------------|--|
| 1 | Communication method | RS-232C, 9600bps, No Parity, Data Length: 8 bits;
Stop Bit Length: 1 bit |
| 2 | Communication format | STX (02h) Command (3Byte) ETX (03h) |
| 3 | Data format | Only 1 command valid per communication.
For input commands, only ASCII-compliant all-uppercase alphanumeric characters supported. |
| 4 | Replies | Acknowledge ACK (06h) CR (0Dh) Data Succeed
ACK (06h) ESC (1Bh) Failure
No acknowledge NAK (15h) |

If commands are to be sent consecutively, wait for the replies from the projector before sending the next command.

● Main Commands

Item	Command
Power on	PON
Power off	POF
Icon display on	MO0
Icon display off	MO1
Auto setting (RGB input)	PAT
Status display on	DON
Status display off	DOF

Item	Command
Computer input select	IN1
Y/P _B /P _R input select	IN2
Video input select	IN3
S-video input select	IN4

■ Note

- Contact your dealer for control cable and other commands.

■ Separately Sold Product

Replacement Lamp Model NO.: for TDP-D1: TDPLD1, for TDP-D2: TDPLD2

■ Note

- Design, specifications, etc. subject to change without notice for improvements, etc.