

Video Projector

Operating Instructions _____ **GB**

Mode d'emploi _____ **FR**

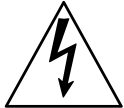
Manual de instrucciones _____ **ES**

VPL-VW12HT

WARNING

To prevent fire or shock hazard, do not expose the unit to rain or moisture.

To avoid electrical shock, do not open the cabinet. Refer servicing to qualified personnel only.



This symbol is intended to alert the user to the presence of uninsulated “dangerous voltage” within the product’s enclosure that may be of sufficient magnitude to constitute a risk of electric shock to persons.



This symbol is intended to alert the user to the presence of important operating and maintenance (servicing) instructions in the literature accompanying the appliance.

For the customers in the USA

If you have any questions about this product, you may contact: Sony Electronics Inc.

*Attn: Business Information Center (BIC) 12451 Gateway Boulevard Ft. Myers, Florida 33913
Telephone No.: 800-686-7669*

The number below is for FCC related matters only.

Declaration of Conformity

Trade Name: SONY
Model: VPL-VW12HT
Responsible Party: Sony Electronics Inc.
Address: 680 Kinderkamack Road,
Oradell NJ 07649 U.S.A.
Telephone No.: 201-930-6972

WARNING

This equipment has been tested and found to comply with the limits for a Class B digital device, pursuant to Part 15 of the FCC Rules. These limits are designed to provide reasonable protection against harmful interference in a residential installation. This equipment generates, uses, and can radiate radio frequency energy and, if not installed and used in accordance with the instructions, may cause harmful interference to radio communications. However, there is no guarantee that interference will not occur in a particular installation. If this equipment does cause harmful interference to radio or television reception which can be determined by turning the equipment off and on, the user is encouraged to try to correct the interference by one or more of the following measures:

- Reorient or relocate the receiving antenna.
- Increase the separation between the equipment and receiver.
- Connect the equipment into an outlet on a circuit different from that to which the receiver is connected.
- Consult the dealer or an experienced radio/TV technician for help.

You are cautioned that any changes or modifications not expressly approved in this manual could void your authority to operate this equipment.

For the customers in Europe

This product with the CE marking complies with both the EMC Directive (89/336/EEC) and the Low Voltage Directive (73/23/EEC) issued by the Commission of the European Community.

Compliance with these directives implies conformity to the following European standards:

- EN60950: Product Safety
- EN55103-1: Electromagnetic Interference (Emission)
- EN55103-2: Electromagnetic Susceptibility (Immunity)

This product is intended for use in the following Electromagnetic Environment(s):

E1 (residential), E2 (commercial and light industrial), E3 (urban outdoors) and E4 (controlled EMC environment, ex. TV studio).

For the customers in Canada

This Class B digital apparatus complies with Canadian ICES-003.

For the customers in the United Kingdom

WARNING

THIS APPARATUS MUST BE EARTHED

IMPORTANT

The wires in this mains lead are coloured in accordance with the following code:

Green-and-Yellow: Earth
Blue: Neutral
Brown: Live

As the colours of the wires in the mains lead of this apparatus may not correspond with the coloured markings identifying the terminals in your plug proceed as follows:

The wire which is coloured green-and-yellow must be connected to the terminal in the plug which is marked by the letter E or by the safety earth symbol \perp or coloured green or green-and-yellow.

The wire which is coloured blue must be connected to the terminal which is marked with the letter N or coloured black.

The wire which is coloured brown must be connected to the terminal which is marked with the letter L or coloured red.

Voor de klanten in Nederland



Gooi de batterij niet weg maar lever deze in als klein chemisch afval (KCA).

The socket-outlet should be installed near the equipment and be easily accessible.

Warning on power connection

Use a proper power cord for your local power supply.

	The United States, Canada		Continental Europe		UK, Ireland, Australia, New Zealand	Japan
Plug type	VM0233	290B	YP-12A	COX-07	— ¹⁾	YP332
Female end	VM0089	386A	YC-13B	COX-02	VM0310B	YC-13
Cord type	SJT	SJT	H05VV-F	H05VV-F	N13237/CO-228	VCTF
Rated Voltage & Current	10A/125V	10A/125V	10A/250V	10A/250V	10A/250V	7A/125V
Safety approval	UL/CSA	UL/CSA	VDE	VDE	VDE	DENANHOU
Cord length (max.)	4.5 m	4.5 m	—	—	—	—

1) Use the correct plug for your country.

Table of Contents

Overview

Precautions	7 (GB)
Features	8 (GB)
Location and Function of Controls	10 (GB)
Front/Left Side	10 (GB)
Rear/Right Side/Bottom	10 (GB)
Control Panel	12 (GB)
Connector Panel	13 (GB)
Remote Commander	14 (GB)

Setting Up and Projecting

Installing the Projector	16 (GB)
Connecting the Projector	16 (GB)
Connecting to a VCR/15k RGB/Component/ Progressive Component Equipment	16 (GB)
Connecting to a Computer	17 (GB)
Selecting the Menu Language	18 (GB)
Projecting	19 (GB)

Adjustments and Settings Using the Menu

Using the Menu	23 (GB)
The PICTURE CTRL Menu	24 (GB)
The INPUT SETTING Menu	25 (GB)
The SET SETTING Menu	30 (GB)
The INSTALL SETTING Menu	31 (GB)

Installation

Installation Example	32 (GB)
Floor Installation	32 (GB)
Ceiling Installation	35 (GB)
Notes on Installation	39 (GB)
Unsuitable Installation	39 (GB)
Unsuitable Conditions for Use	39 (GB)

Maintenance

Maintenance	41 (GB)
Replacing the Lamp	41 (GB)
Replacing the Air Filter!	42 (GB)
Troubleshooting	43 (GB)

Other

Specifications	46 (GB)
Index	50 (GB)

Precautions

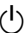
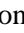
On safety

- Check that the operating voltage of your unit is identical with the voltage of your local power supply.
- Should any liquid or solid object fall into the cabinet, unplug the unit and have it checked by qualified personnel before operating it further.
- Unplug the unit from the wall outlet if it is not to be used for several days.
- To disconnect the cord, pull it out by the plug. Never pull the cord itself.
- The wall outlet should be near the unit and easily accessible.
- The unit is not disconnected to the AC power source (mains) as long as it is connected to the wall outlet, even if the unit itself has been turned off.
- **Do not look into the lens** while the lamp is on.
- Do not place your hand or objects near the ventilation holes — the air coming out is hot.
- **Be careful not to catch your fingers with the adjusters** when you lift up the projector. Do not push hard on the top of the projector with the adjusters out.

On illumination

- To obtain the best picture, the front of the screen should not be exposed to direct lighting or sunlight.
- Ceiling-mounted spot lighting is recommended. Use a cover over fluorescent lamps to avoid lowering the contrast ratio.
- Cover any windows that face the screen with opaque draperies.
- It is desirable to install the projector in a room where floor and walls are not of light-reflecting material. If the floor and walls are of reflecting material, it is recommended that the carpet and wall paper be changed to a dark color.

On preventing internal heat build-up

After you turn off the power with the  key on the Remote Commander or the I /  key on the control panel, do not disconnect the unit from the wall outlet while the cooling fan is still running.

Do not block ventilation holes

The projector is equipped with ventilation holes (intake) on the bottom and ventilation holes (exhaust) on the front. **Do not block or place anything near these holes**, or internal heat build-up may occur, causing picture degradation or damage to the projector.

On cleaning

- To keep the cabinet looking new, periodically clean it with a soft cloth. Stubborn stains may be removed with a cloth lightly dampened with a mild detergent solution. Never use strong solvents, such as thinner, benzene, or abrasive cleansers, since these will damage the cabinet.
- Avoid touching the lens. To remove dust on the lens, use a soft dry cloth. Do not use a damp cloth, detergent solution, or thinner.

On repacking

Save the original shipping carton and packing material; they will come in handy if you ever have to ship your unit. For maximum protection, repack your unit as it was originally packed at the factory.

About the LCD projector

- The LCD projector is manufactured using high-precision technology. You may, however, see tiny black points and/or bright points (red, blue, or green) that continuously appear on the LCD projector. This is a normal result of the manufacturing process and does not indicate a malfunction.
- Air polluted by tobacco smoke, etc., may have a negative effect on the projector. Be sure to avoid tobacco smoke, etc., from directly getting in to this unit. Ventilate well when using this unit in a closed room.

Features

High brightness, high picture quality

- **New, wide LCD panel**

The newly developed high-resolution wide LCD panel (1366 × 768 dots) provides higher uniformity and reduced ghosts.

- **High-contrast**

Improvements in the LCD panel and the optical system provide a high-contrast images.

- **High-brightness – 1000 ANSI lumens**

The LCD panel with its newly developed 200 W UHP lamp, optical unit and lens achieves a high level of brightness of as much as 1000 ANSI lumens (16:9 projection), allowing for improved home viewing.

- **High-quality images**

In addition to the new wide LCD panel, a variety of functions are now available in the projector. These include DRC-MF (Digital Reality Creation Multifunction), Sony's proprietary high-quality image technology; CINE MOTION; 3-D Gamma Correction, providing excellent uniformity; Cinema Black Mode, a mode that reduces the black level according to the input source/projection environment; and 3-D YC Separation/DNR (NTSC), a feature that reproduces a clear image without noise.

High-adaptability in the home environment

- **Reduced noise**

The exhaust opening at the front is connected to an internal fan and air duct. This means the distance from the fan to the exhaust opening is long, significantly reducing fan noise.

- **Flexible setup**

The projection lens has a short focus (100 inches at 3.3 m (10.7 feet) with an aspect ratio of 16:9). The digital keystone correction function allows projection at a wide angle. The projector's white color goes with any color (ceilings, walls, etc.).

- **Detection of clogs in the air filter**

This projector uses an air filter which allows a microcomputer to detect the presence of clogs in the filter according to the environment where the unit is used.

To detect clogs accurately, **reset the air filter the first time you use the projector**, and every time you replace the air filter.

For details, see "To reset the air filter" on page 42 (GB).

Wide Screen/DTV/High Definition Television

- **Wide Screen**

This projector utilizes a 16:9 aspect ratio LCD panel, allowing seven screen modes (ZOOM, FULL, SUBTITLE, WIDE ZOOM, etc.) using all panel pixels (1366 × 768).

It offers NORMAL THROUGH mode and FULL THROUGH mode to reproduce a sharp image with one-to-one mapping.

- **DVD, DTV, High-Definition Television**

The projector's super-precise image exceeds 3.14 million pixels. It is also compatible with next-generation DTV (digital TV) and high-definition television signals. Combined with a tuner or a MUSE decoder (optional), you can enjoy DTV, high-definition television, high-definition LD, etc.

Video memory

The projector has a video memory function. The user can store up to 6 settings (image quality, aspect, temperature color, DRC-MF, etc.) according to the input source. The user can directly recall any setting from the Remote Commander.

Gamma correction

Using the gamma control software ("ImageDirector")¹⁾ provided with the projector, you can adjust R, G, and B values independently.

For instructions on how to use the ImageDirector, see the Operating Instructions provided on the CD-ROM that came with the projector.

1) This software cannot be used with the Macintosh operating system.

Multi scan compatibility

- **Scan converter built-in**

This projector has a built-in scan converter which converts the input signal for a 1366 × 768 pixel image.

- **Compatible with 16:9 RGB¹⁾**

This projector is compatible with 16:9 aspect ratio RGB signals.

- **Input signals**

The projector can accept the following video signals: Composite, S-video, Component, Progressive component, DTV (480i/p, 720p/1080i), HDTV, 15k RGB, VGA, SVGA, XGA and SXGA.

- **Compatible with six color systems**

Any of the NTSC^{3.58}, PAL, SECAM, NTSC^{4.43²⁾}, PAL-M, or PAL-N color systems can be selected automatically or manually.

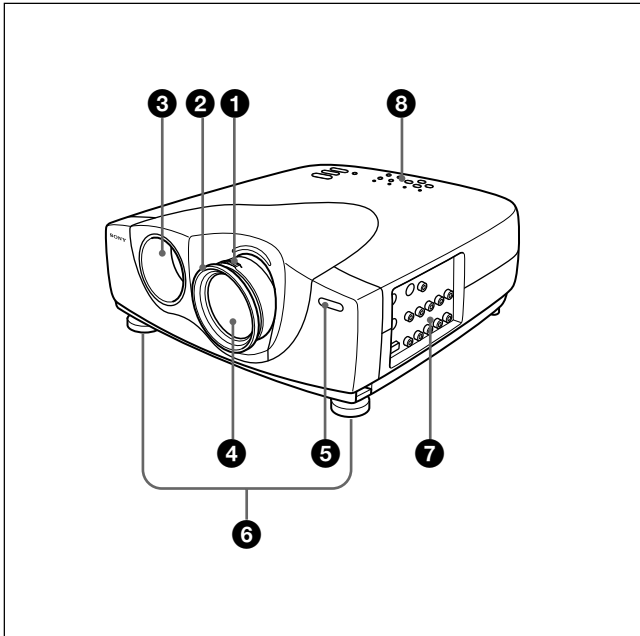
-
- VGA, SVGA, XGA and SXGA are registered trademarks of the International Business Machines Corporation, U.S.A.
 - VESA is a registered trademark of the Video Electronics Standards Association.
 - IBM® and PC/AT are a trademark and a registered trademark of the International Business Machines Corporation, U.S.A.
 - Macintosh is a registered trademark of Apple Computer, Inc.

1) Compatible with specified signals only.

2) NTSC^{4.43} is the color system used when playing back a video recorded in the NTSC format on an NTSC^{4.43} system VCR.

Location and Function of Controls

Front/Left Side



❶ Zoom ring

Adjusts the size of the picture.

❷ Focus ring

Adjusts the picture focus.

❸ Ventilation holes (exhaust)

❹ Lens

Remove the lens cap before projection.

❺ Front remote control detector (SIRCS receiver)

❻ Adjusters

When a picture is projected on an exterior of the screen, adjust the picture using these adjusters.

For details on how to use the adjusters, see "How to use the adjusters" on page 11 (GB).

❼ Connector panel

For details, see "Connector Panel" on page 13 (GB).

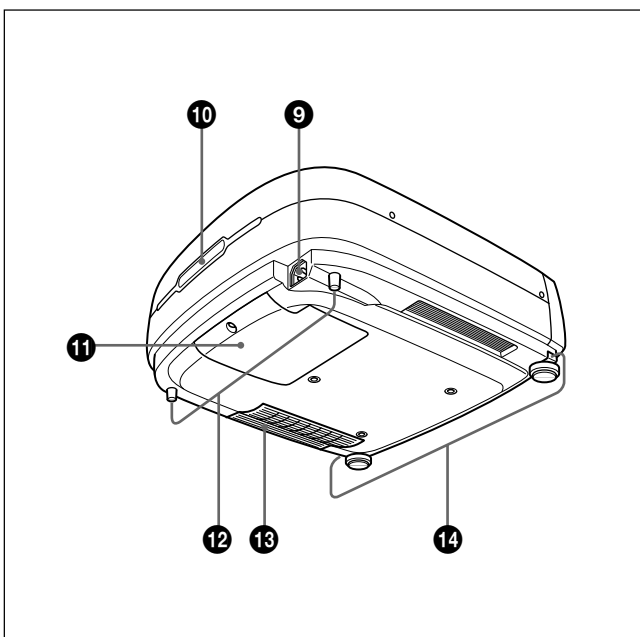
❽ Control panel

For details, see "Control Panel" on page 12 (GB).

❾ AC IN socket

Connects the supplied AC power cord.

Rear/Right Side/Bottom



❿ Rear remote control detector (SIRCS receiver)

⓫ Lamp cover

⓬ Rear adjusters

⓭ Ventilation holes (intake)/air filter

About ventilation holes

Notes

- Do not place anything near the ventilation holes as it may cause internal heat build-up. Do not place your hand near the ventilation holes, or you may be burned.
- To detect clogs accurately, reset the air filter the first time you use the projector, and every time when you replace the air filter.
- **Replace and reset the air filter when a warning message is displayed on the screen to ensure optimal performance. This air filter cannot be cleaned. You should also reset the air filter when you use the projector for the first time.**

For details, see "Replacing the Air Filter!" on page 42 (GB).

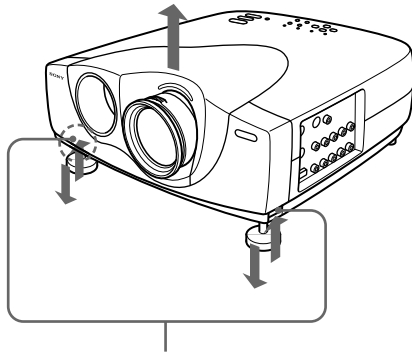
⓮ Adjuster buttons

How to use the adjusters

To adjust the height

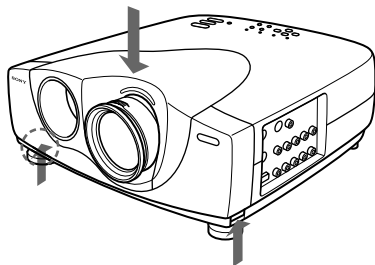
Adjust the height of the projector as follows:

- 1 Lift the projector and press the adjuster buttons. The adjusters will extend from the projector.

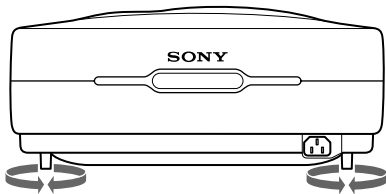


Adjuster buttons

- 2 While pressing the buttons, adjust the height. Then, release the buttons. The adjusters will lock, then the height of the projector will be fixed. For fine adjustment, turn the adjusters to the right or left.



- 3 If necessary, turn the rear adjusters to the right or left to adjust the height of the projector.



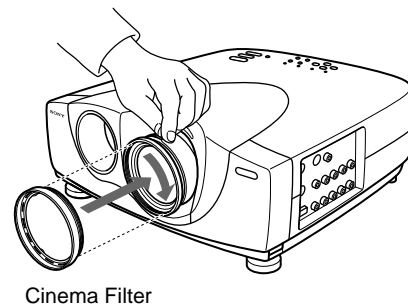
Notes

- Be careful not to let the projector down on your fingers.
- Do not push hard on the top of the projector with the adjusters out.
- If the adjusters are not extending from the projector even though you have pressed the adjuster buttons, loosen the adjusters by hand.
- If you move the projector with the adjusters extended, the adjusters may be damaged. Move the projector only after first retracting the adjusters.

How to use the supplied Cinema Filter

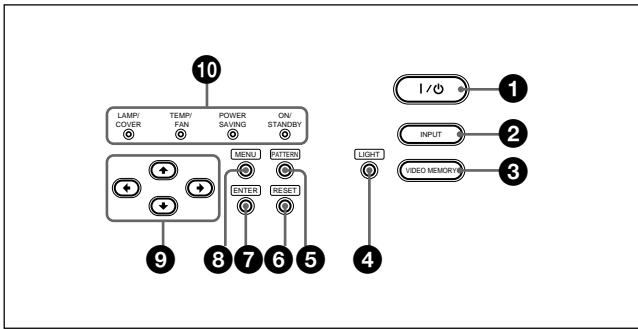
You can adjust the contrast by installing the supplied Cinema Filter as follows.

- 1 Turn off the power and disconnect the power cord.
- 2 Align the screw of the filter with the thread around the lens of the projector as illustrated below. While holding the focus ring in place, turn the filter clockwise.



Cinema Filter

Control Panel



1 I / ⏻ (on / standby) key

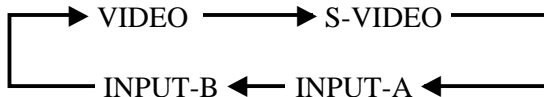
Turns the projector on and off when the projector is in the standby mode. (When the projector is in the standby mode, the ON/STANDBY indicator lights in red.) The ON/STANDBY indicator lights in green when the power is turned on.

When turning off the power, press the I / ⏻ key twice following the message on the screen, or press and hold the key for about one second.

For details on steps for turning off the power, see “To turn off the power” on page 22 (GB).

2 INPUT key

Selects the input signal. Each time you press the key, the input signal switches as follows:



3 VIDEO MEMORY key

You can adjust the image in advance and store the setting in the VIDEO MEMORY 1 to 6. You can recall the setting by pressing this key. Pressing this key selects memory numbers 1 through 6. When you keep on pressing, it selects OFF, and then starts again with 1. You can easily set, change, and view the image in a suitable setting.

For more details on how to set the video memory, see the VIDEO MEMORY of the INPUT SETTING menu on page 27 (GB).

4 LIGHT key

If you press this key while the power is on, the keys on the control panel will be displayed in orange.

Press this key again to turn off the light.

The light will turn off automatically if no keys are operated for 30 seconds.

5 PATTERN key

Displays the test pattern on the screen for focus adjustment. Press again to clear the test pattern.

6 RESET key

Resets the value of an item to its factory preset value. This key functions when the menu or a setting item is displayed on the screen.

7 ENTER key

Enters the settings of items in the menu system.

8 MENU key

Displays the on-screen menu. Press again to clear the menu.

9 Arrow (↑/↓/←/→) keys

Used to select a menu or to make various adjustments.

10 Indicators

LAMP/COVER: Lights up or flashes under the following conditions:

- Lights up when the lamp has reached the end of its life or the lamp does not turn on as a result of high lamp temperature.
- Flashes when the lamp cover or air filter is not secured firmly.

For further details, see troubleshooting on page 44 (GB).

TEMP (Temperature)/FAN: Lights up or flashes under the following conditions:

- Lights up when temperature inside the projector becomes unusually high.
- Flashes when the fan is broken.

For further details, see troubleshooting on page 44 (GB).

POWER SAVING: Lights up when the projector is in the power saving mode. When POWER SAVING in the SET SETTING menu is set to ON, the projector goes into the power saving mode if no signal is input or no keys are operated for 10 minutes. Although the lamp goes out, the cooling fan keeps running. The power saving mode is canceled when a signal is input or any key is pressed. However, in the power saving mode, none of the keys function for the first 40 seconds.

ON/STANDBY: Lights up or flashes under the following conditions:

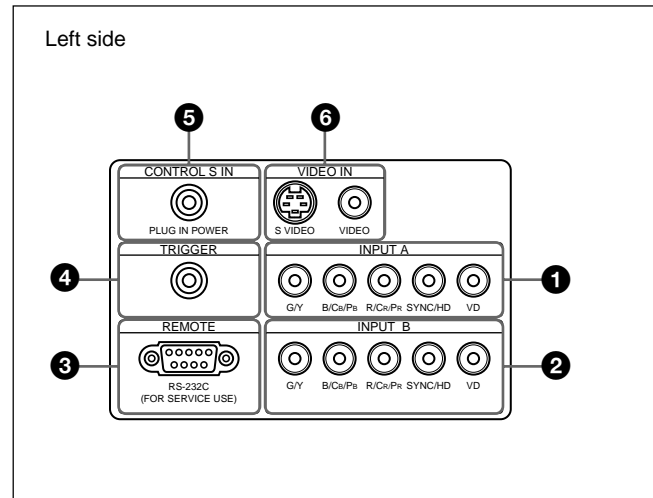
- Lights up in red when the AC power cord is plugged into the wall outlet. Once in the standby mode, you can turn on the projector with the I / ⏻ key.
- Lights up in green when the power is turned on.
- Flashes in green while the cooling fan runs after the power is turned off with the I / ⏻ key. The fan runs for about 120 seconds after turning off the power.

The ON/STANDBY indicator flashes quickly for the first 40 seconds of that time.

During this first 40 seconds, you cannot turn the power back on with the I / ⏻ key.

For details on the LAMP/COVER and the TEMP/FAN indicators, see page 44 (GB).

Connector Panel



1 INPUT A connectors

G/Y, B/Cb/Pb, R/Cr/Pr, SYNC/HD, VD connectors (phono type):

Connect to the RGB output of the equipment.

According to the connected equipment, computer, component (Y/Cb/Cr), HDTV or DTV (DTV GBR, DTV YPBPr) signal is selected.

2 INPUT B connectors

G/Y, B/Cb/Pb, R/Cr/Pr, SYNC/HD, VD connectors (phono type):

Connect to the RGB output of the equipment.

According to the connected equipment, computer, component (Y/Cb/Cr), HDTV or DTV (DTV GBR, DTV YPBPr) signal is selected.

3 REMOTE (RS-232C) connector (D-sub 9-pin, female)

This is a service connector. When the unit is connected to a computer via this connector, you can adjust the gamma values of the projector from the computer using the ImageDirector software provided on the CD-ROM that came with the projector.

For details, see the Operating Instructions provided on the CD-ROM that came with the projector.

4 TRIGGER connector (minijack)

Outputs the ON or OFF condition of the unit to the external equipment.

When the unit is turned off, 0 V is output and when the unit is turned on, 12 V is output. However, as power is not output, you cannot use the connector as a power source.

5 CONTROL S IN (PLUG IN POWER) (DC 5V output) jack (stereo minijack)

Connects to the control S out jacks of Sony equipment.

Connects to the CONTROL S OUT jack on the supplied Remote Commander when using it as a wired remote control. In this case, you do not need to install batteries in the Remote Commander, since power is supplied from this jack.

If this connector is used, the Remote Commander key lamp is not turned on.

6 VIDEO IN connectors

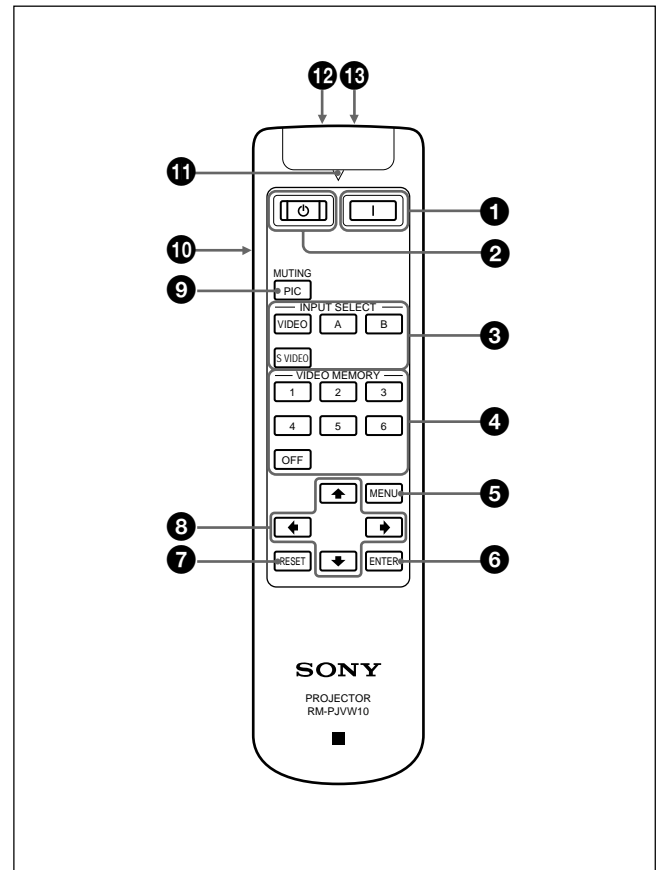
Connect to external video equipment such as a VCR.

S VIDEO (mini DIN 4-pin): Connects to the S video output (Y/C video output) of video equipment.

VIDEO (phono type): Connects to the composite video output of video equipment.

Remote Commander

Keys which have the same names as those on the control panel function identically.



1 I (ON) key

Press this key to turn on the projector. (It is assumed that the projector is in the standby mode.)

2 ⏻ (OFF) key

Press this key to turn off the power immediately.

3 INPUT SELECT keys

Select the input signal.

VIDEO: Selects the signal of equipment connected to the projector's VIDEO connector.

S VIDEO: Selects the signal of equipment connected to the projector's S VIDEO connector.

A: Selects the video signal of equipment connected to the INPUT A connectors.

B: Selects the video signal of equipment connected to the INPUT B connectors.

4 VIDEO MEMORY keys

You can store an image setting to one of the VIDEO MEMORY keys (1 – 6), and you can directly recall the setting by pressing the appropriate key.

For more details on how to set the video memory, see the VIDEO MEMORY of the INPUT SETTING menu on page 27 (GB).

5 MENU key**6 ENTER key****7 RESET key****8 Arrow (↑/↓/←/→) keys****9 MUTING PIC key**

Cuts off the picture. Press again to restore the picture.

10 LIGHT switch

Pressing this switch turns on the key light on the Remote Commander. Pressing this switch again turns off the key light. If no keys are operated, the lights will automatically turn off in 30 seconds.

Install the two batteries in the Remote Commander when you use the key light.

11 Transmission indicator

Lights up when you press a key on the Remote Commander.

12 CONTROL S OUT jack (stereo minijack)

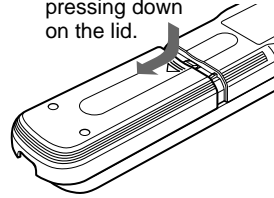
Connects to the CONTROL S IN jack on the projector with the connecting cable (not supplied) when using the Remote Commander as a wired remote control. In this case, you do not need to install batteries since the power is supplied via the CONTROL S IN jack on the projector.

If batteries are not installed, the Remote Commander key light is not turned on.

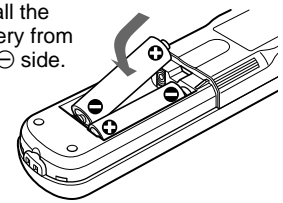
13 Infrared transmitter**Battery installation**

- 1 Push and slide to open the lid, then install the two R6 (size AA) batteries (supplied) with the correct polarity.

Slide while pressing down on the lid.



Be sure to install the battery from the ⊖ side.



- 2 Replace the lid.

Notes on batteries

- Make sure that the battery orientation is correct when inserting batteries.
- Do not mix an old battery with a new one, or different types of batteries.
- If you do not intend to use the Remote Commander for a long time, remove the batteries to avoid damage from battery leakage. If batteries have leaked, remove them, wipe the battery compartment dry and replace the batteries with new ones.

Notes on Remote Commander operation

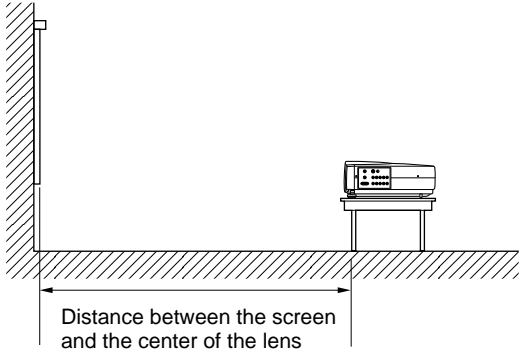
- Make sure that there is nothing to obstruct the infrared beam between the Remote Commander and the remote control detector on the projector.
- The operation range is limited. The shorter the distance between the Remote Commander and the projector is, the wider the angle within which the commander can control the projector.
- To turn on the key light when using as a wired Remote Commander, install the batteries.

Note

If the Remote Commander causes a malfunction, consult with qualified Sony personnel. We will exchange the Remote Commander for a new one according to the guarantee.

Installing the Projector

This section describes the installation arrangements for installing the projector.



Distance between the screen and the center of the lens

The distance between the lens and the screen varies depending on the size of the screen. Use the following table as a guide. (For details, see "Installation Example" on page 32 (GB).)

		Unit: m (feet)							
16:9 screen size (inches)		40	60	80	100	120	150	200	300
Minimum Distance		1.3 (4.1)	1.9 (6.3)	2.6 (8.5)	3.3 (10.7)	3.9 (12.9)	4.9 (16.2)	6.6 (21.7)	9.9 (32.6)
Maximum Distance		1.5 (4.8)	2.2 (7.4)	3.0 (9.8)	3.8 (12.4)	4.6 (14.9)	5.7 (18.7)	7.6 (25.0)	11.5 (37.7)
4:3 screen size (inches)		40	60	80	100	120	150	200	300
Minimum Distance		1.6 (5.1)	2.4 (7.8)	3.2 (10.5)	4.0 (13.2)	4.8 (15.9)	6.1 (19.9)	8.1 (26.6)	12.2 (40.0)
Maximum Distance		1.8 (6.0)	2.8 (9.1)	3.7 (12.3)	4.7 (15.4)	5.6 (18.3)	7.0 (23.0)	9.4 (30.8)	14.1 (46.2)

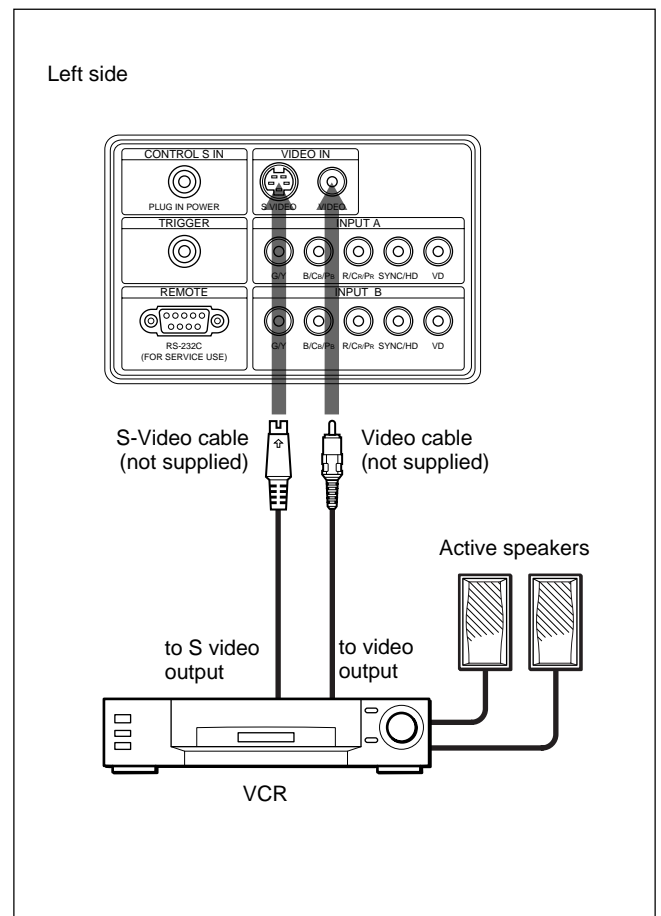
Connecting the Projector

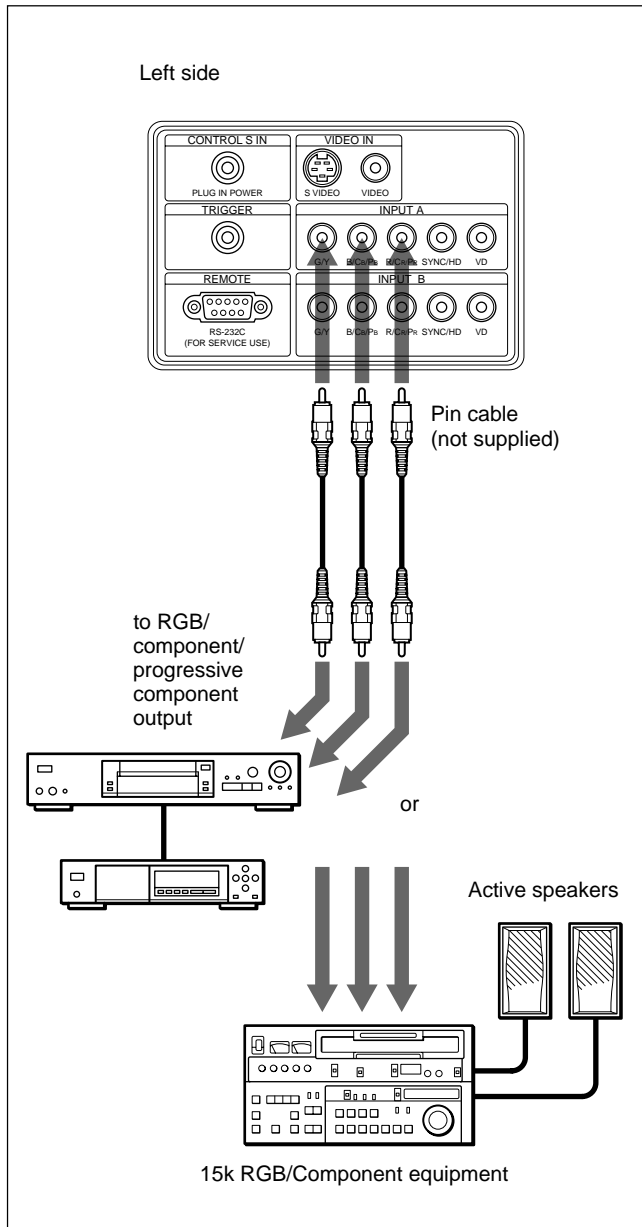
When making connections, be sure to do the following:

- Turn off all equipment before making any connections.
- Use the proper cables for each connection.
- Insert the cable plugs properly; plugs that are not fully inserted often generate noise. When pulling out a cable, be sure to pull it out grasping the plug, not the cable itself.

Connecting to a VCR/15k RGB/Component/Progressive Component Equipment

This section describes how to connect the projector to a VCR, external active speakers, and 15k RGB/component/progressive component equipment. For more information, refer to the instruction manuals of the equipment you are connecting.





Notes

- Set the aspect ratio using ASPECT in the INPUT SETTING menu according to the input signal.
- To connect a 15k RGB/component/progressive component equipment, select the COMPUTER/COMPONENT/DTV YPbPr/DTV GBR in the INPUT-A or INPUT-B in the SET SETTING menu according to the input signal.
For details on setting, see page 30 (GB).
- You can connect a high definition equipment. The connection method is the same as above.

Connecting to a Computer

This section describes how to connect the projector to a computer.

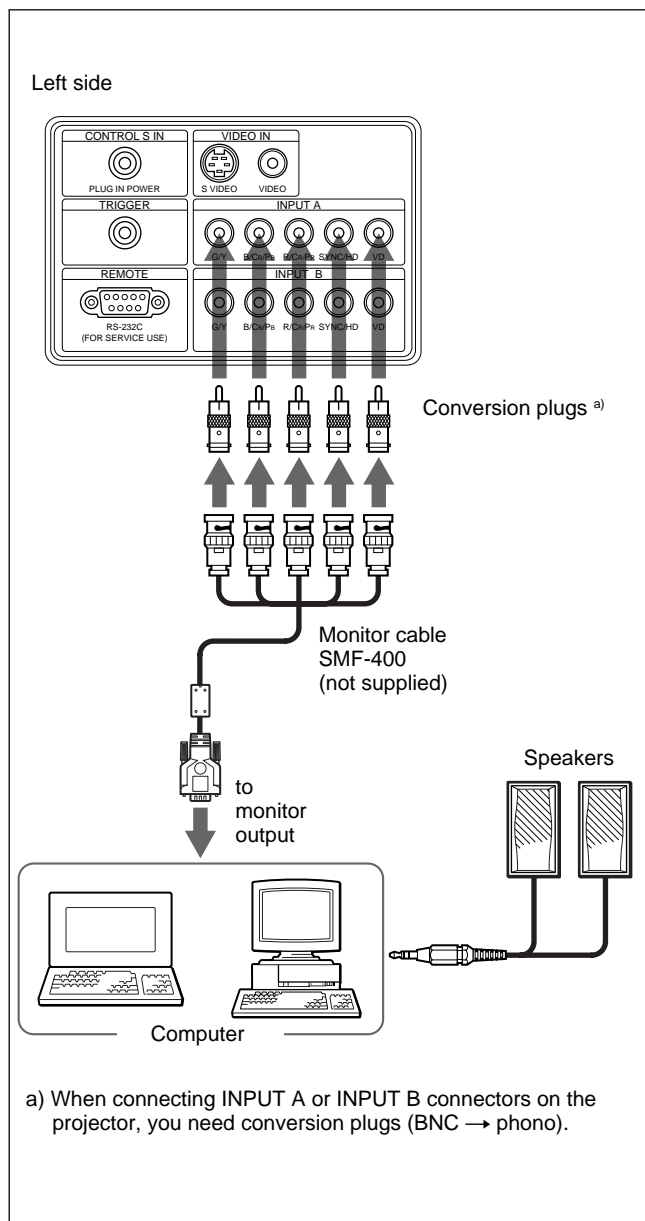
(For further information about an example of connection, see the next page.)

Select the “COMPUTER” in the INPUT-A or INPUT-B of the SET SETTING menu.

Notes

- The projector accepts VGA, SVGA, XGA, and SXGA signals. However, we recommend that you set the output mode of your computer to XGA mode for the external monitor.
- If you set your computer, such as a notebook type, to output the signal to both your computer’s display and an external monitor, the picture of the external monitor may not appear properly. Set your computer to output the signal to only the external monitor.
For details, refer to the operating instructions supplied with your computer.
- Connect all the connecting cables to the INPUT A connector when you input a signal from the INPUT A connector.
Connect all the connecting cables to the INPUT B connector when you input a signal from the INPUT B connector as well.

When connecting a computer

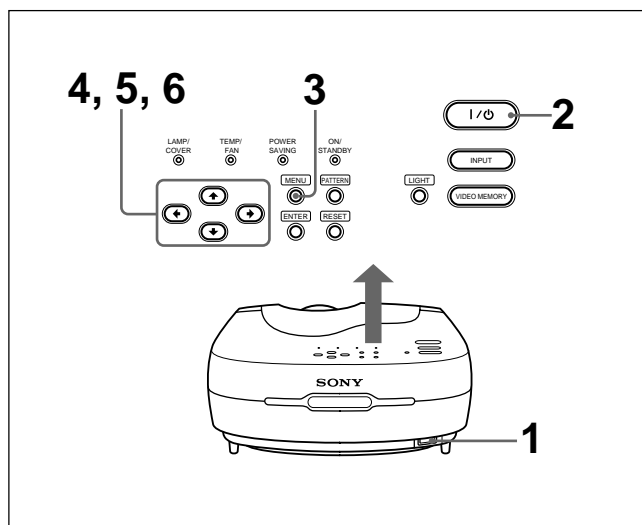


To connect a Macintosh computer

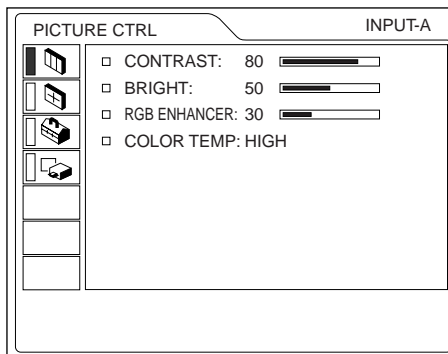
When connecting a video output connector that has a two-line pin configuration, use the appropriate adaptor for that type of connector (not supplied).

Selecting the Menu Language

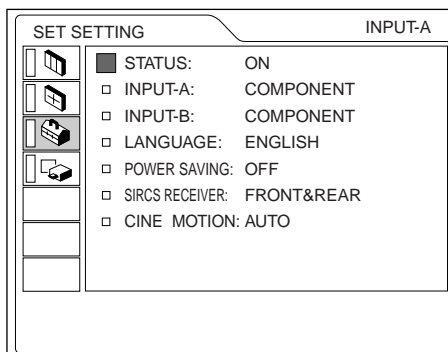
You can select the language to be used in the menu and other on screen display. The factory setting is ENGLISH.



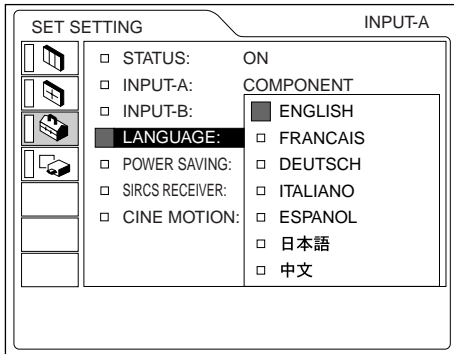
- 1** Plug the AC power cord into the wall outlet.
- 2** Press the I / ⏻ key to turn on the power.
- 3** Press the MENU key.
The menu display appears.



- 4** Select the icon of the SET SETTING menu, the third one, using the ↑ or ↓ key, then press the → or ENTER key.
The SET SETTING menu appears.



- 5** Select LANGUAGE with the **↑** or **↓** key, then press the **→** or ENTER key.



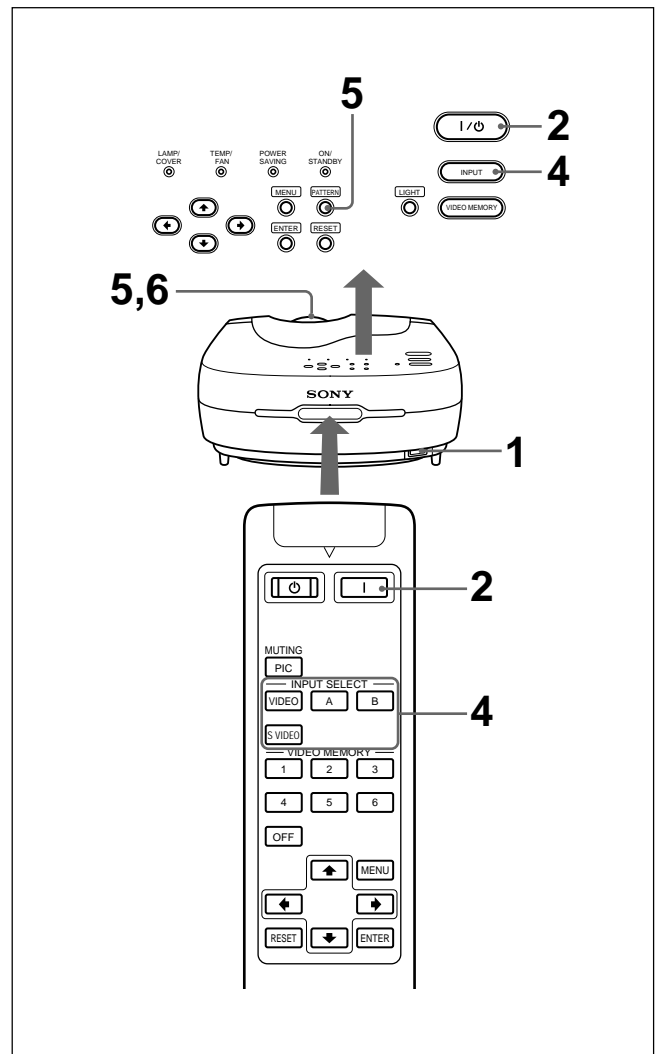
- 6** Select the language desired with the **↑** or **↓** key, then press the **←** or ENTER key.
The menu changes to the selected language.

To clear the menu display

Press the MENU key.

The menu display disappears automatically if no key is pressed for one minute.

Projecting



- 1** After all equipment is connected completely, plug the AC power cord into the wall outlet.
The ON/STANDBY indicator lights in red and the projector goes into the standby mode.
- 2** Press the I / key on the control panel or the I key on the Remote Commander.
The ON/STANDBY indicator lights in green.
- 3** Turn on equipment connected to the projector.

(Continued)

4 Press the INPUT key to select the input source.

INPUT-A: Selects the video signal input from the INPUT A connector, such as component equipment.

INPUT-B: Selects the video signal input from the INPUT B connector, such as component equipment.

VIDEO: Selects the video signal input from the VIDEO (VIDEO IN) jack.

S-VIDEO: Selects the video signal input from the S VIDEO (VIDEO IN) jack.

5 Press the PATTERN key on the control panel to display the test pattern, and turn the focus ring to adjust the focus. Press the PATTERN key again to clear the test pattern.

6 Turn the zoom ring to adjust the size of the picture.

Note

Looking into the lens when the projector is projecting an image may cause injury to your eyes.

To cut off the picture

Press the MUTING PIC key on the Remote Commander. To restore the picture, press the MUTING PIC key again.

When projected images flicker

On rare occasions, projected images may flicker when using the projector with CINEMA BLACK in the INSTALL SETTING menu set to ON.

In this case, set CINEMA BLACK to OFF and clear the menu display once. Then, display the INSTALL SETTING menu again and set CINEMA BLACK to ON.

For details on the INSTALL SETTING menu, see page 31 (GB).

On rare occasions, projected images may flicker until the projector lamp fully warms up (this takes about 20 minutes after turning on the unit).

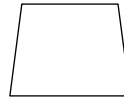
As this is not a sign of malfunction, continue to use the projector normally.

To correct trapezoidal distortion

When the projected image is a trapezoid, change the projector's position/height by moving the adjusters. *For details on how to use the adjusters, see "How to use the adjusters" on page 11 (GB).*

If the image is still a trapezoid, correct it in DIGIT KEYSTONE in the INSTALL SETTING menu.

When the base edge is longer than the upper edge as shown in the figure below:



Set the value to negative.

When the upper edge is longer than the base edge as shown in the figure below:



Set the value to positive.

Note

If "ZOOM," "FULL," or "NORMAL" have been selected in ASPECT of the INPUT SETTING menu, you can change the trapezoid. For details, see the chart on page 26 (GB).

For details on signal types for which ASPECT can be changed, see the chart on page 28 (GB).

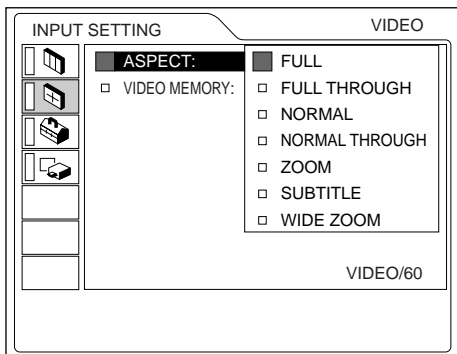
For details on "DIGIT KEYSTONE," see page 31 (GB).

Changing the aspect

You can change the aspect according to the video signal.

For details on the menu screen operation, see “Using the Menu” on page 23 (GB).

- 1 Press the MENU key.
The menu display appears.
- 2 Press the **↑** or **↓** key to select INPUT SETTING menu, then press the **→** or ENTER key.
- 3 Press the **↑** or **↓** key to select ASPECT, then press the **→** or ENTER key.



- 4 Make setting or adjustment on an item.

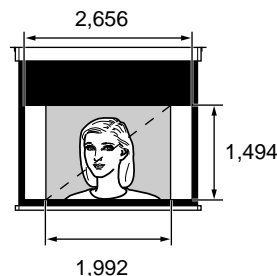
For details on setting individual items, see page 26 (GB).

The picture size for the screen size

Refer to the following for selecting the aspect.

When the 4:3 picture is displayed on the 16:9 screen

Example: The 120 inch screen is used.

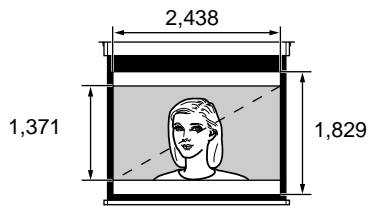


The 98 inch picture is displayed

Size (Inch)	16:9 screen	4:3 picture	
	Unit (mm)	Unit (mm)	Size (Inch)
90			73
110			90
120			98

When the 16:9 picture is displayed on the 4:3 screen

Example: The 120 inch screen is used.



The 110 inch picture is displayed.

4:3 screen		16:9 picture	
Size (Inch)	Unit (mm)	Unit (mm)	Size (Inch)
80			73
100			91
120			110

Notes on changing the aspect

This projector provides you with the various choices of aspects. When changing the aspect, check the following:

- Select an aspect taking into account that one which changes the aspect ratio of the original picture will provide a different look from that of the original image.
- Also note that if the projector is used for profit or for public viewing, modifying the original picture by switching aspects may constitute an infringement of the rights of authors or producers which are legally protected by laws.

To turn off the power

To turn off the power from the control panel

- 1 Press the I / ⏻ key on the control panel. “Power OFF?” appears on the screen.

Note

The message will disappear if you press any key except the I / ⏻ key, or if you do not press any key for five seconds.

- 2 Press the I / ⏻ key again. The ON/STANDBY indicator flashes in green and the fan continues to run for about 120 seconds to reduce internal heat build-up. Also, the ON/STANDBY indicator flashes quickly for the first 40 seconds. During this first 40 seconds, you will not be able to turn the power back on with the I / ⏻ key.
- 3 Unplug the AC power cord from the wall outlet after the fan stops running and the ON/STANDBY indicator lights in red.

When you cannot confirm the on-screen message

When you cannot confirm the on-screen message at anytime, you can turn off the power by holding the I / ⏻ key for about one second.

To turn off the power from the Remote Commander

- 1 Press the ⏻ key on the Remote Commander.
- 2 Unplug the AC power cord from the wall outlet after the fan stops running and the ON/STANDBY indicator lights in red.

Note

Do not unplug the AC power cord while the fan is still running; otherwise, the fan will stop even though the internal heat level is still high. This may lead to a breakdown of the projector!

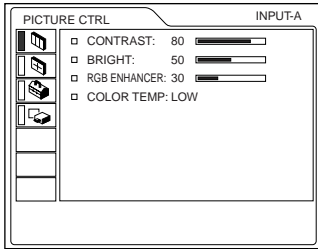
Using the Menu

The projector is equipped with an on-screen menu for making various adjustments and settings.

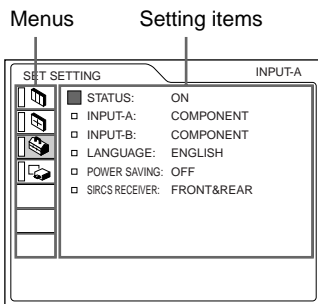
You can select the language to be used in the menu.

For details on selecting the language used in the menu, see page 18 (GB).

- 1 Press the MENU key.
The menu display appears.
The menu presently selected is shown as a yellow button.



- 2 Use the **↑** or **↓** key to select a menu, then press the **→** or ENTER key.
The selected menu appears.



- 3 Select an item.
Use the **↑** or **↓** key to select the item, then press the **→** or ENTER key.

- 4 Adjust an item.
 - When changing the adjustment level:
To increase the value, press the **↑** or **→** key.
To decrease the value, press the **↓** or **←** key.
Press the ENTER key to restore the original screen.
 - When changing the setting:
Press the **↑** or **↓** key to change the setting.
Press the **←** or ENTER key to restore the original screen.

For details on setting individual items, see the relevant menu pages.

To clear the menu display

Press the MENU key.

The menu display disappears automatically if no key is pressed for one minute.

To reset items that have been adjusted

Press the RESET key.

“Complete!” appears on the screen and the settings appearing on the screen will be reset to their factory preset values.

Items that can be reset are:

- “CONTRAST,” “BRIGHT,” “COLOR,” “HUE,” “SHARP,” and “RGB ENHANCER” in the PICTURE CTRL menu.
- “DOT PHASE,” “SIZE H,” “SHIFT,” “V SCROLL,” and “TITLE AREA” in the INPUT SETTING menu.
- “DIGIT KEYSTONE” in the INSTALL SETTING menu.

About the retention of the settings

The settings are automatically stored in the projector memory.

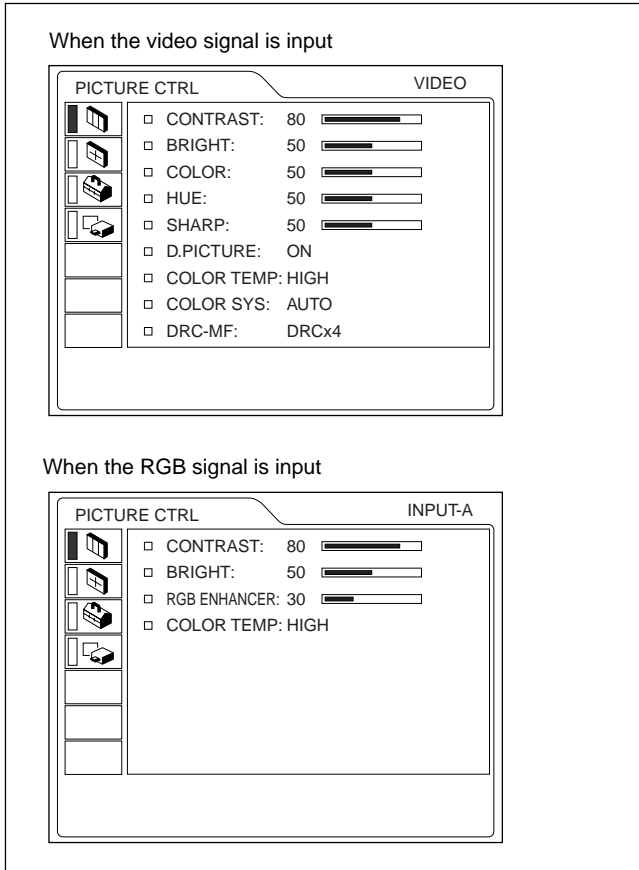
When no signal is input

When there is no input signal, “NO INPUT—Cannot adjust this item.” appears on the screen, and each item cannot be adjusted.

The PICTURE CTRL Menu

The PICTURE CTRL (control) menu is used for adjusting the picture.

Unadjustable items for a particular input signal are not displayed in the menu.



CONTRAST

Adjusts the picture contrast.
The higher the setting, the greater the contrast.
The lower the setting, the lower the contrast.

BRIGHT

Adjusts the picture brightness.
The higher the setting, the brighter the picture.
The lower the setting, the darker the picture.

COLOR

Adjusts color intensity.
The higher the setting, the greater the intensity.
The lower the setting, the lower the intensity.

HUE

Adjusts color tones.
The higher the setting, the more the picture becomes greenish.
The lower the setting, the more the picture becomes purplish.

SHARP

Adjusts the picture sharpness.
The higher the setting, the sharper the picture.
The lower the setting, the softer the picture.

RGB ENHANCER

Adjusts the picture sharpness when the computer signals are input.
The higher the setting, the sharper the picture.
The lower the setting, the softer the picture.

D. (Dynamic) PICTURE

Emphasizes the black color.
ON: Emphasizes the black color to produce a bolder “dynamic” picture.
OFF: Reproduces the dark portions of the picture accurately, in accordance with the source signal.

COLOR TEMP

Adjusts the color temperature.
HIGH: Makes the white color bluish.
LOW: Makes the white color reddish.

COLOR SYS (System)

Selects the color system of the input signal.
AUTO: Automatically selects one of the following signals: NTSC_{3.58}, PAL, SECAM, NTSC_{4.43}.
PAL-M/N: Automatically selects one of the following signals: PAL-M/PAL-N, NTSC_{3.58}.
Normally, set to AUTO.
If the picture is distorted or colorless, select the color system appropriate to the input signal.

DRC-MF

Smooths out a large size video image.
DRC × 4: Doubles the number of the video signal scanning lines and the number of horizontal pixels, resulting in quadrupled image quality.
DRC PROGRESSIVE: Displays a clear line or characters without line flickering.

Input signals and adjustable/setting items

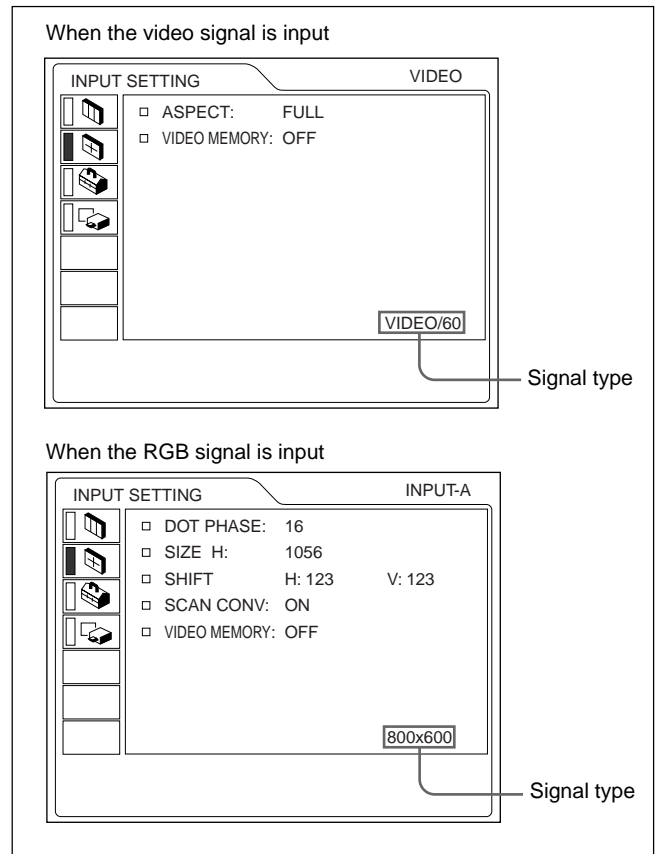
Item	Input signal				
	Video or S video (Y/C)	Component/15k RGB	Progressive Component/HDTV/DTV	RGB ¹⁾	B&W
CONTRAST	●	●	●	●	●
BRIGHT	●	●	●	●	●
COLOR	●	●	●	—	—
HUE	● (NTSC3.58/ 4.43 only)	●	●	—	—
SHARP	●	●	●	—	●
RGB ENHANCER	—	—	—	●	—
D. PICTURE	●	●	—	—	●
COLOR TEMP	●	●	●	●	●
COLOR SYS	●	—	—	—	●
DRC-MF	●	●	—	—	●

● : Adjustable/can be set
 — : Not adjustable/can not be set

The INPUT SETTING Menu

The INPUT SETTING menu is used to adjust the input signal.

Unadjustable items for a particular input signal are not displayed in the menu.



DOT PHASE

Adjusts the dot phase of the LCD panel and the computer signal input from the INPUT A/B connector.

Adjust the picture to the point where it looks clearest.

SIZE H

Adjusts the horizontal size of the picture input from the INPUT A/B connector.

The higher the setting, the larger the horizontal size of the picture. The lower the setting, the smaller the horizontal size of the picture. Adjust the setting according to the dots of the input signal. For details on the suitable value for the preset signals, see page 28 (GB).

1) The RGB signals of a computer

SHIFT

Adjusts the position of the picture input from the INPUT A/B connectors.

H adjusts the horizontal position of the picture.

V adjusts the vertical position of the picture.

As the setting for H increases, the picture moves to the right, and as the setting decreases, the picture moves to the left.

As the setting for V increases, the picture moves up, and as the setting decreases, the picture moves down.

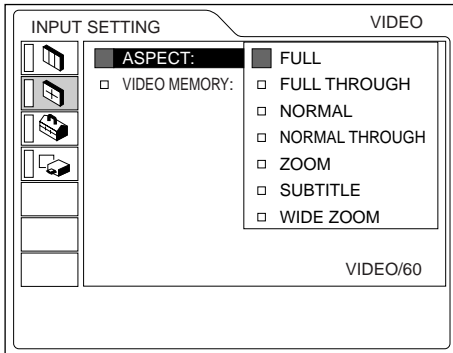
Use the ← or → key to adjust the horizontal position and the ↑ or ↓ key for the vertical position.

ASPECT

Sets the following aspect setting:

4:3 NORMAL, NORMAL THROUGH

16:9 FULL, FULL THROUGH, ZOOM, SUBTITLE, WIDE ZOOM



FULL: The 16:9 squeezed image is displayed with the correct aspect. The 4:3 image is enlarged horizontally.



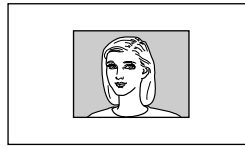
FULL THROUGH: One-to-one mapping is done on a squeezed 16:9 image. The image is displayed at the center of the screen.



NORMAL: The picture with normal ratio 4:3 is displayed.



NORMAL THROUGH: One-to-one mapping is done on the picture with a normal ratio of 4:3. The picture is displayed at the center of the screen.



ZOOM: The picture with normal ratio 4:3 is enlarged vertically and horizontally (with same ratio) to the screen size. This mode is ideal for capturing the full-screen drama of wide-format movies.



SUBTITLE: The subtitle area is compressed. This mode leaves the subtitles on the lower part of the screen.



WIDE ZOOM: The picture with normal ratio 4:3 is enlarged and the upper and lower portions of the picture are compressed. This is ideal for general programs, such as news or variety shows.



Note

You cannot change the image mode while the projector is projecting a high definition image or DTV signal.

The adjustable/unadjustable items depending on the aspect setting

Items	V SCROLL	TITLE AREA	DIGIT KEYSTONE
FULL	-	-	●
FULL THROUGH	-	-	-
NORMAL	-	-	●
NORMAL THROUGH	-	-	-
ZOOM	●	-	●
SUBTITLE	●	●	-
WIDE ZOOM	-	-	-

● : Adjustable - : Unadjustable

SCAN CONV (Scan converter)

Converts the signal to display the picture according to the screen size.

ON: Enlarges the picture according to the screen aspect. The picture will lose some clarity.

OFF: Displays the picture while matching one pixel of the input picture element to that of the LCD. The picture will be clear but the picture size will be smaller.

Note

This item will not be displayed if you input an XGA or SXGA signal.

V SCROLL

Adjusts the vertical position of the picture. Adjustable range is 0 to +7. As the setting increases, the picture moves up, and as the setting decreases, the picture moves down. To resume the normal position, press the RESET key.

TITLE AREA

Adjusts the subtitle area. The adjustable range is from 0 to +7. As the setting increases, the subtitle area becomes wider, and as the setting decreases, the subtitle area becomes narrower. To return to the normal area setting, press the RESET key.

Note

Although the adjustable range displayed is 0 to +7, the actual range may be limited depending on the V SCROLL setting.

VIDEO MEMORY

Displays the selected video memory number. There are 6 memory settings. If you select OFF, the image is displayed according to the settings stored in each channel memory.

How to set the VIDEO MEMORY

Using the Remote Commander

1 Press the desired number (1 – 6) of the VIDEO MEMORY keys.

The selected memory number is displayed in the menu.

2 From an appropriate menu, select an item to be adjusted and adjust the setting using the **↑**, **↓**, **←** or **→** keys.

3 Press the **←** or ENTER key.

The adjusted item (setting) is stored in the selected memory number. The display returns to the previous screen.

Using the control panel

1 Select a VIDEO MEMORY number (1 – 6) by pressing the VIDEO MEMORY key.

(You can also set the VIDEO MEMORY with a menu operation.)

2 From an appropriate menu, select an item to be adjusted and adjust the setting using the **↑**, **↓**, **←** or **→** keys.

3 Press the **←** or ENTER key.

The adjusted item (setting) is stored in the selected memory number. The display returns to the previous screen.

Input signals and adjustable/setting items

Item	Input signal				
	Video or S video (Y/C)	15k RGB/ Progressive Component	HDTV/ DTV	RGB ¹⁾	B&W
DOT PHASE	–	–	●	●	–
SIZE H	–	●	●	●	–
SHIFT	–	●	●	●	–
ASPECT	●	●	–	–	●
SCAN CONV	–	–	–	● (lower than SVGA only)	–
V SCROLL	○	○	–	–	○
TITLE AREA	○	○	–	–	○
VIDEO MEMORY	●	●	●	●	●

● : Adjustable/can be set

– : Not adjustable/can not be set

○ : Aspect ratio dependent item

About the preset memory

This projector has 45 kinds of preset data for input signals (the preset memory). When a preset signal is input, this projector automatically detects the signal type. When the signal is registered in the preset memory, a suitable picture is displayed on the screen according to the signal type. The type of input signal is displayed in the INPUT SETTING menu. You can adjust the preset data through the INPUT SETTING menu.

This projector also has 20 user memory locations for each INPUT A/B. You can register a new type of signal that is not preset. When an unpreset signal is input for the first time, the adjusted setting made using INPUT A/B in the INPUT SETTING menu is stored. When more than 20 user memory items are registered for each INPUT A/B, the newest memory item is automatically stored over the oldest one.

Preset signals

Memory No.	Preset signal	fH (kHz)	fV (Hz)	Sync	SIZE H	
1	Video 60 Hz	15.734	59.940	H-neg V-neg	1050	
2	Video 50 Hz	15.625	50.000	H-neg V-neg	1072	
3	15k RGB/Component 60 Hz	15.734	59.940	SonG/Y or composite sync	1050	
4	15k RGB/Component 50 Hz	15.625	50.000	SonG/Y or composite sync/composite video	1072	
5	HDTV(1080/60i)	33.750	60.000	SonG/Y or composite sync	2200	
6	640 × 350	VGA mode 1	31.469	70.086	H-pos V-neg	800
7		VGA VESA 85 Hz	37.861	85.080	H-pos V-neg	832
8	640 × 400	PC-9801 Normal	24.823	56.416	H-neg V-neg	848
9		VGA mode 2	31.469	70.086	H-neg V-pos	800
10		VGA VESA 85 Hz	37.861	85.080	H-neg V-pos	832
11	640 × 480	VGA mode 3	31.469	59.940	H-neg V-neg	800
12		Macintosh 13"	35.000	66.667	SonG	864
13		VGA VESA 72 Hz	37.861	72.809	H-neg V-neg	832
14		VGA VESA 75 Hz	37.500	75.000	H-neg V-neg	840
15		VGA VESA 85 Hz	43.269	85.008	H-neg V-neg	832
16		800 × 600	SVGA VESA 56 Hz	35.156	56.250	H-pos V-pos
17	SVGA VESA 60 Hz		37.879	60.317	H-pos V-pos	1056
18	SVGA VESA 72 Hz		48.077	72.188	H-pos V-pos	1040
19	SVGA VESA 75 Hz		46.875	75.000	H-pos V-pos	1056
20	SVGA VESA 85 Hz		53.674	85.061	H-pos V-pos	1048
21	832 × 624	Macintosh 16"	49.724	74.550	H-neg V-neg	1152
22	1024 × 768	XGA VESA 43 Hz	35.524	43.479	H-pos V-pos	1264
23		XGA VESA 60 Hz	48.363	60.004	H-neg V-neg	1344
24		XGA VESA 70 Hz	56.476	69.955	H-neg V-neg	1328
25		XGA VESA 75 Hz	60.023	75.029	H-pos V-pos	1312
26		XGA VESA 85 Hz	68.677	84.997	H-pos V-pos	1376
27	1152 × 864	SXGA VESA 70 Hz	63.995	70.019	H-pos V-pos	1472
28		SXGA VESA 75 Hz	67.500	75.000	H-pos V-pos	1600
29		SXGA VESA 85 Hz	77.487	85.057	H-pos V-pos	1568
30	1152 × 900	Sunmicro LO	61.795	65.960	H-neg V-neg	1504
31		Sunmicro HI	71.713	76.047	C-neg	1472
32	1280 × 960	SXGA VESA 60 Hz	60.000	60.000	H-pos V-pos	1800
33		SXGA VESA 75 Hz	75.000	75.000	H-pos V-pos	1728
34	1280 × 1024	SXGA VESA 43 Hz	46.433	43.436	H-pos V-pos	1696
35		SGI-5	53.316	50.062	SonG	1680
36		SXGA VESA 60 Hz	63.974	60.013	H-pos V-pos	1696
37		SXGA VESA 75 Hz	79.976	75.025	H-pos V-pos	1688
43	480/60p	480/60p (Progressive component)	31.470	60.000	SonG/Y or composite sync	1050
44	575/50p	575/50p (Progressive component)	31.250	50.000		1072
45	1080/50i	1080/50i	28.130	50.000		2640
47	720/60p	720/60p	45.000	60.000		1650
48	720/50p	720/50p	37.500	50.000		1980
49 ²⁾	1080/24PsF	1080/24PsF	27.000	48.000		2750
50	HDTV	540/60p	33.750	60.000	H-pos V-pos	2200
51	1366 × 768	16:9 RGB	45.000	56.000	H-neg V-neg	1766

1) The RGB signals of a computer

2) No. 49 is an interlace signal.

Since the data is recalled from the preset memory for the following signals, you can use these preset data by adjusting SIZE H. Make finer adjustments using SHIFT.

Signal	Memory No.	SIZE H
Super Mac-2	23	1312
SGI-1	23	1320
Macintosh 19"	25	1328
Macintosh 21"	28	1456
Sony News	36	1708
PC-9821 1280 × 1024	36	1600
WS Sunmicro	37	1664

Notes

- A part of the screen is displayed in black depending on the aspect ratio of the input signal.
- Use the following signals to input the sync signal externally from the SYNC/HD connector.
 - 15k RGB signal: Composite sync signal or composite video signal
 - Component signal (15k): Cannot externally input sync signal.
 - Progressive component signal or DTV (Preset No. 3 – 5 or No. 43 – 48), 1080/24PsF: Composite sync signal
- When you enter HD and VD along with a “Sync on G” signal, the picture may not be displayed correctly.

When you use a notebook computer with an SXGA+ LCD panel

This unit does not comply with the resolution of SXGA+ (1400 × 1050 dots). When you want to use a notebook computer with an SXGA+ LCD panel for your presentation, change the resolution setting of the display of your notebook computer. Select the appropriate resolution from the chart of “Preset signals.”

For information on how to set the resolution of your notebook computer, refer to the instruction manual of the computer.

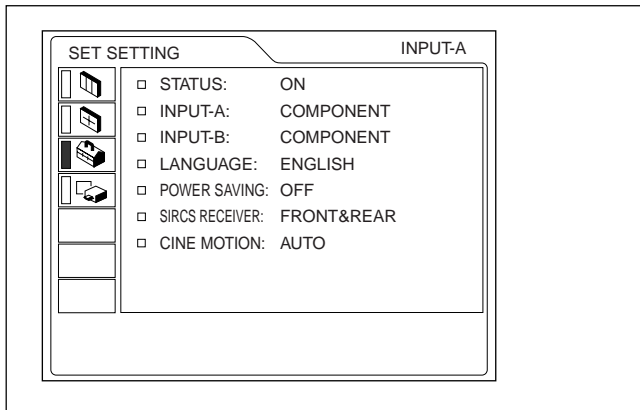
The adjustable items in the VIDEO MEMORY

Items which can set in the VIDEO MEMORY are:

- “CONTRAST,” “BRIGHT,” “COLOR,” “HUE,” “SHARP,” “RGB ENHANCER,” “D.PICTURE,” “COLOR TEMP,” “COLOR SYS,” and “DRC-MF” in the PICTURE CTRL menu.
- “ASPECT,” “SCAN CONV,” “V SCROLL,” and “TITLE AREA” in the INPUT SETTING menu.

The SET SETTING Menu

The SET SETTING menu is used for changing the settings of the projector.



STATUS (on-screen display)

Sets up the on-screen display.

ON: Shows all of the on-screen display.

OFF: Turns off the on-screen display except for the menus, a message when turning off the power, and warning messages.

INPUT-A

Selects the computer, component, DTV YP_BPr or DTV GBR signal input from the INPUT A connectors.

Note

If the setting is not correct, "Please check INPUT-A setting." appears on the screen and the color of the picture becomes strange or the picture is not displayed.

INPUT-B

Selects the computer, component, DTV YP_BPr or DTV GBR signal input from the INPUT B connectors.

Notes

- If the setting is not correct, "Please check INPUT-B setting." appears on the screen and the color of the picture becomes strange or the picture is not displayed.
- Set the progressive component signal, e.g. DVD, to "COMPONENT"; 15k RGB signal, e.g. game machines, to "DTV GBR."

The signals that can be output for each setting of INPUT-A and -B are as shown below.

Signal	Setting of INPUT -A and -B			
	COMPUTER	COMPONENT	DTV YP _B Pr	DTV GBR
15k RGB (DVD output in PAL system, etc.)	–	–	–	●
Component	–	●	●	–
Progressive Component (Progressive DVD output, etc.)	–	●	●	–
DTV (Digital BS output, etc.)	–	–	●	●
Computer	●	–	–	–

● : can be output – : cannot be output

LANGUAGE

Selects the language used in the menu and on-screen displays.

Available languages are: English, French, German, Italian, Spanish, Japanese and Chinese.

POWER SAVING

When set to ON, the projector goes into the power saving mode if no signal is input for 10 minutes.

The power saving mode is canceled when a signal is input or any key is pressed.

SIRCS RECEIVER

Selects the remote control detectors (SIRCS receiver) on the front and rear of the projector.

FRONT & REAR: Activates both the front and rear detectors.

FRONT: Activates the front detector only.

REAR: Activates the rear detector only.

CINE MOTION

Selects either position according to the signal source for the NTSC_{3.58/4.43}, 15k RGB (60 Hz) or 525/60 signal.

AUTO: Set to AUTO when the input signal is from a film-originated material. 2-3 pull down is applied.

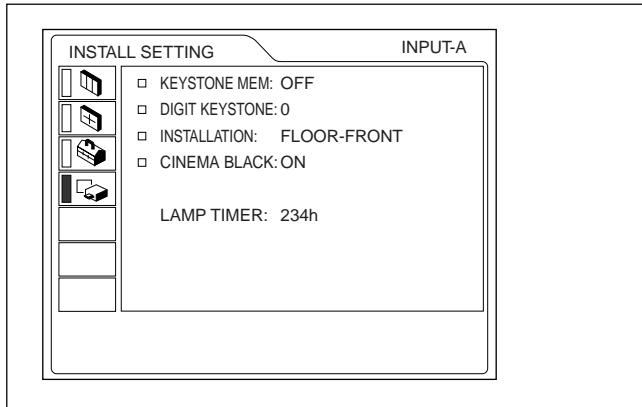
OFF: 2-3 pull down is not applied.

Note

This function will not operate for signals of 50 Hz.

The INSTALL SETTING Menu

The INSTALL SETTING menu is used for changing the install settings of the projector.



KEYSTONE MEM

ON: The DIGIT KEYSTONE setting is stored.

The data is retrieved when the projector power is turned on. The setting will remain the same every time.

OFF: The DIGIT KEYSTONE is reset to 0 when the power is turned on next time.

DIGIT KEYSTONE

Corrects the trapezoidal distortion caused by the projection angle.

If the base edge of the image is longer, set a negative value; if the upper edge is longer, set a positive value to display the image as a rectangle.

Note

Only if “ZOOM,” “FULL,” or “NORMAL” has been selected in ASPECT of the INPUT SETTING menu, you can change the trapezoidal dimensions.

INSTALLATION

Set this item to reverse the picture horizontally or vertically.

FLOOR-FRONT: The picture is not reversed.

CEILING-FRONT: The picture is reversed horizontally and vertically.

FLOOR-REAR: The picture is reversed horizontally.

CEILING-REAR: The picture is reversed vertically.

Note

When using a mirror, be careful of how the installation is carried out since the picture may be reversed.

CINEMA BLACK

Switches the lamp wattage during projection.

OFF: Normal wattage.

ON: Enhances the black by reducing the lamp wattage.

Notes

- It will take a few seconds for the projector to change the lamp wattage during projection.
- If the CINEMA BLACK is set to ON, it starts with OFF when the power is turned on, then changes to ON after a while.

LAMP TIMER

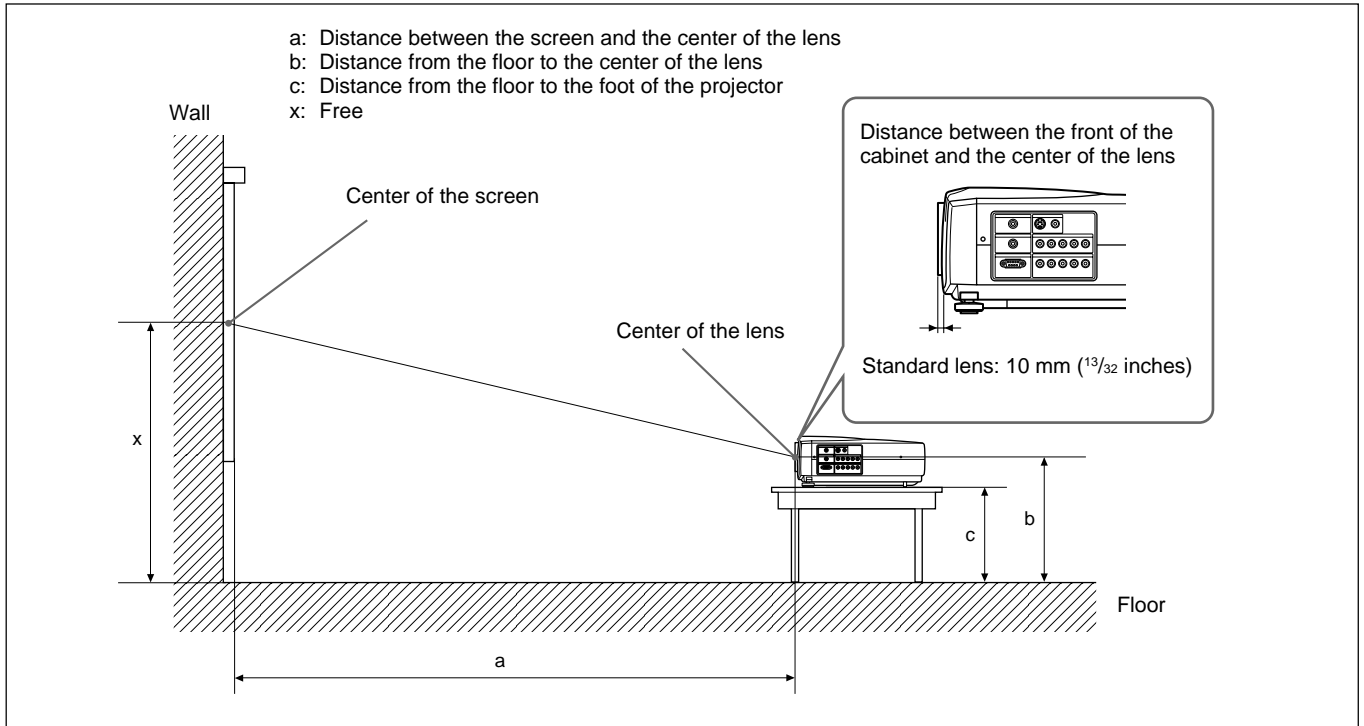
Indicates how long the lamp has been turned on.

Note

This only displays the time. You cannot alter the display.

Installation Example

Floor Installation



Unit: mm (inches)

16:9 Screen size (inches)		40	60	80	100	120	150	180	200	250	300
a	Minimum	1260 (49 ⁵ / ₈)	1930 (76)	2600 (102 ³ / ₈)	3270 (128 ⁷ / ₈)	3930 (154 ³ / ₄)	4940 (194 ⁵ / ₈)	5940 (234)	6610 (260 ³ / ₈)	8270 (325 ³ / ₄)	9940 (391 ¹ / ₂)
	Maximum	1470 (58)	2240 (88 ¹ / ₄)	3010 (118 ⁵ / ₃₂)	3780 (148 ⁷ / ₈)	4550 (179 ¹ / ₄)	5710 (224 ⁷ / ₈)	6860 (270 ¹ / ₈)	7630 (300 ¹ / ₂)	9560 (376 ¹ / ₂)	11480 (452 ¹ / ₈)
b		x-249 (x-9 ⁷ / ₈)	x-374 (x-14 ³ / ₄)	x-498 (x-19 ⁵ / ₈)	x-623 (x-24 ⁵ / ₈)	x-747 (x-29 ¹ / ₂)	x-934 (x-36 ⁷ / ₈)	x-1121 (x-44 ¹ / ₄)	x-1245 (x-49 ¹ / ₈)	x-1556 (x-61 ³ / ₈)	x-1868 (x-73 ⁵ / ₈)
c		x-349 (x-13 ³ / ₄)	x-473 (x-18 ⁵ / ₈)	x-598 (x-23 ⁵ / ₈)	x-722 (x-28 ¹ / ₂)	x-847 (x-33 ³ / ₈)	x-1033 (x-40 ³ / ₄)	x-1220 (x-48 ¹ / ₈)	x-1345 (x-53)	x-1656 (x-65 ¹ / ₄)	x-1967 (x-77 ¹ / ₂)

To calculate the installation measurement (unit: mm)

SS: screen size diagonal (inches)

$$a \text{ (minimum)} = \{(SS \times 44.22/1.3573) - 70.76208\} \times 1.025$$

$$b = x - (SS/1.3573 \times 8.45)$$

$$a \text{ (maximum)} = \{(SS \times 53.599173/1.3573) - 70.17171\} \times 0.975$$

$$c = x - (SS/1.3573 \times 8.45 + 99.5)$$

Unit: mm (inches)

4:3 Screen size (inches)		40	60	80	100	120	150	180	200	250	300
a	Minimum	1560 (61 ¹ / ₂)	2380 (93 ³ / ₄)	3200 (126)	4020 (158 ⁵ / ₁₆)	4830 (190 ¹ / ₄)	6060 (238 ⁵ / ₈)	7290 (287 ¹ / ₈)	8100 (319)	10150 (399 ³ / ₄)	12190 (480)
	Maximum	1820 (71 ³ / ₄)	2760 (108 ³ / ₄)	3700 (145 ³ / ₄)	4650 (183 ¹ / ₈)	5590 (220 ¹ / ₈)	7000 (275 ⁵ / ₈)	8420 (331 ⁵ / ₈)	9360 (368 ⁵ / ₈)	11720 (461 ¹ / ₂)	14070 (554 ¹ / ₈)
b		x-305 (x-12 ¹ / ₈)	x-457 (x-18)	x-610 (x-24 ¹ / ₈)	x-762 (x-30)	x-915 (x-36 ¹ / ₈)	x-1143 (x-45)	x-1372 (x-54 ¹ / ₈)	x-1524 (x-60)	x-1905 (x-75 ¹ / ₈)	x-2287 (x-90 ¹ / ₈)
c		x-404 (x-16)	x-557 (x-22)	x-709 (x-28)	x-862 (x-34)	x-1014 (x-40)	x-1243 (x-49)	x-1471 (x-58)	x-1624 (x-64)	x-2005 (x-79)	x-2386 (x-94)

To calculate the installation measurement (unit: mm)

SS: screen size diagonal (inches)

$$a \text{ (minimum)} = \{(SS \times 44.22/1.1087) - 70.76208\} \times 1.025$$

$$b = x - (SS/1.1087 \times 8.45)$$

$$a \text{ (maximum)} = \{(SS \times 53.597384/1.1087) - 70.27214\} \times 0.975$$

$$c = x - (SS/1.1087 \times 8.45 + 99.5)$$

When you install the projector on a desk, etc., and you are using the VPLL-ZM101 or VPLL-ZM31 Projection Lens, see the following chart for the appropriate installation measurements.

About lens attachment

Attaching the lens may cause fire or injury to the person. Users should request qualified Sony representative to attach the lens.

For the VPLL-ZM101 Projection Lens

16:9 Screen size (inches)		Unit: mm (inches)									
		40	60	80	100	120	150	180	200	250	300
a	Minimum	2500 (98 ⁴ / ₈)	3860 (151 ⁷ / ₈)	5210 (205 ² / ₈)	6570 (258 ⁶ / ₈)	7930 (312 ¹ / ₈)	9960 (392 ² / ₈)	11990 (472 ³ / ₈)	13350 (525 ⁵ / ₈)	16740 (659 ³ / ₈)	20130 (792 ⁵ / ₈)
	Maximum	3750 (147 ⁴ / ₈)	5720 (225 ² / ₈)	7700 (303 ² / ₈)	9670 (381)	11650 (458 ⁷ / ₈)	14620 (575 ⁵ / ₈)	17580 (692 ² / ₈)	19560 (770 ¹ / ₈)	24500 (964 ⁵ / ₈)	29440 (1159 ² / ₈)
b		x-249 (x-9 ⁷ / ₈)	x-374 (x-14 ³ / ₄)	x-498 (x-19 ⁵ / ₈)	x-623 (x-24 ⁵ / ₈)	x-747 (x-29 ¹ / ₂)	x-934 (x-36 ⁷ / ₈)	x-1121 (x-44 ¹ / ₄)	x-1245 (x-49 ¹ / ₈)	x-1556 (x-61 ³ / ₈)	x-1868 (x-73 ⁵ / ₈)
c		x-349 (x-13 ³ / ₄)	x-473 (x-18 ⁵ / ₈)	x-598 (x-23 ⁵ / ₈)	x-722 (x-28 ¹ / ₂)	x-847 (x-33 ³ / ₈)	x-1033 (x-40 ³ / ₄)	x-1220 (x-48 ¹ / ₈)	x-1345 (x-53)	x-1656 (x-65 ¹ / ₄)	x-1967 (x-77 ¹ / ₂)

To calculate the installation measurements (unit: mm)

SS: screen size diagonal (inches)

$$a \text{ (minimum)} = \{(SS \times 89.8220/1.3573) - 209.2626\} \times 1.025$$

$$a \text{ (maximum)} = \{(SS \times 137.5601/1.3573) - 211.5915\} \times 0.975$$

$$b = x - (SS/1.3573 \times 8.45)$$

$$c = x - (SS/1.3573 \times 8.45 + 99.5)$$

Unit: mm (inches)

4:3 Screen size (inches)		Unit: mm (inches)									
		40	60	80	100	120	150	180	200	250	300
a	Minimum	3110 (122 ³ / ₈)	4770 (187 ⁶ / ₈)	6430 (253 ² / ₈)	8090 (318 ⁵ / ₈)	9750 (384)	12240 (482)	14730 (580)	16390 (645 ⁵ / ₈)	20550 (809)	24700 (972 ⁵ / ₈)
	Maximum	4630 (182 ⁴ / ₈)	7050 (277 ⁶ / ₈)	9470 (373)	11890 (468 ² / ₈)	14310 (563 ⁴ / ₈)	17940 (706 ⁴ / ₈)	21570 (849 ³ / ₈)	23990 (944 ⁵ / ₈)	30040 (1182 ⁶ / ₈)	36090 (1421)
b		x-305 (x-12 ¹ / ₈)	x-457 (x-18)	x-610 (x-24 ¹ / ₈)	x-762 (x-30)	x-915 (x-36 ¹ / ₈)	x-1143 (x-45)	x-1372 (x-54 ¹ / ₈)	x-1524 (x-60)	x-1905 (x-75 ¹ / ₈)	x-2287 (x-90 ¹ / ₈)
c		x-404 (x-16)	x-557 (x-22)	x-709 (x-28)	x-862 (x-34)	x-1014 (x-40)	x-1243 (x-49)	x-1471 (x-58)	x-1624 (x-64)	x-2005 (x-79)	x-2386 (x-94)

To calculate the installation measurements (unit: mm)

SS: screen size diagonal (inches)

$$a \text{ (minimum)} = \{(SS \times 89.8220/1.1087) - 209.2626\} \times 1.025$$

$$a \text{ (maximum)} = \{(SS \times 137.5601/1.1087) - 211.5915\} \times 0.975$$

$$b = x - (SS/1.1087 \times 8.45)$$

$$c = x - (SS/1.1087 \times 8.45 + 99.5)$$

For the VPLL-ZM31 Projection Lens

Unit: mm (inches)

16:9 Screen size (inches)		40	60	80	100	120	150	180	200	250	300
a	Minimum	1140 (45)	1770 (69 6/8)	2400 (94 5/8)	3030 (119 4/8)	3660 (144 3/8)	4610 (181 5/8)	5560 (218 7/8)	6190 (243 5/8)	7760 (305 6/8)	9340 (367 6/8)
	Maximum	1210 (47 4/8)	1860 (73 4/8)	2520 (99 3/8)	3180 (125 3/8)	3840 (151 2/8)	4830 (190 1/8)	5810 (229)	6470 (254 7/8)	8120 (319 6/8)	9760 (384 4/8)
b		x-249 (x-9 7/8)	x-374 (x-14 3/4)	x-498 (x-19 5/8)	x-623 (x-24 5/8)	x-747 (x-29 1/2)	x-934 (x-36 7/8)	x-1121 (x-44 1/4)	x-1245 (x-49 1/8)	x-1556 (x-61 3/8)	x-1868 (x-73 5/8)
c		x-349 (x-13 3/4)	x-473 (x-18 5/8)	x-598 (x-23 5/8)	x-722 (x-28 1/2)	x-847 (x-33 3/8)	x-1033 (x-40 3/4)	x-1220 (x-48 1/8)	x-1345 (x-53)	x-1656 (x-65 1/4)	x-1967 (x-77 1/2)

To calculate the installation measurements (unit: mm)

SS: screen size diagonal (inches)

$$a \text{ (minimum)} = \{(SS \times 41.75/1.3573) - 116.2604\} \times 1.025$$

$$a \text{ (maximum)} = \{(SS \times 45.8210/1.3573) - 112.9154\} \times 0.975$$

$$b = x - (SS/1.3573 \times 8.45)$$

$$c = x - (SS/1.3573 \times 8.45 + 99.5)$$

Unit: mm (inches)

4:3 Screen size (inches)		40	60	80	100	120	150	180	200	250	300
a	Minimum	1420 (56 1/8)	2200 (86 5/8)	2970 (117)	3740 (147 3/8)	4510 (177 6/8)	5670 (223 3/8)	6830 (269)	7600 (299 3/8)	9530 (375 3/8)	11460 (451 2/8)
	Maximum	1500 (59 2/8)	2310 (91)	3110 (122 5/8)	3920 (154 3/8)	4730 (186 1/8)	5930 (233 3/8)	7140 (281 3/8)	7950 (313)	9960 (392 3/8)	11980 (471 6/8)
b		x-305 (x-12 1/8)	x-457 (x-18)	x-610 (x-24 1/8)	x-762 (x-30)	x-915 (x-36 1/8)	x-1143 (x-45)	x-1372 (x-54 1/8)	x-1524 (x-60)	x-1905 (x-75 1/8)	x-2287 (x-90 1/8)
c		x-404 (x-16)	x-557 (x-22)	x-709 (x-28)	x-862 (x-34)	x-1014 (x-40)	x-1243 (x-49)	x-1471 (x-58)	x-1624 (x-64)	x-2005 (x-79)	x-2386 (x-94)

To calculate the installation measurements (unit: mm)

SS: screen size diagonal (inches)

$$a \text{ (minimum)} = \{(SS \times 41.75/1.1087) - 116.2604\} \times 1.025$$

$$a \text{ (maximum)} = \{(SS \times 45.8210/1.1087) - 112.9154\} \times 0.975$$

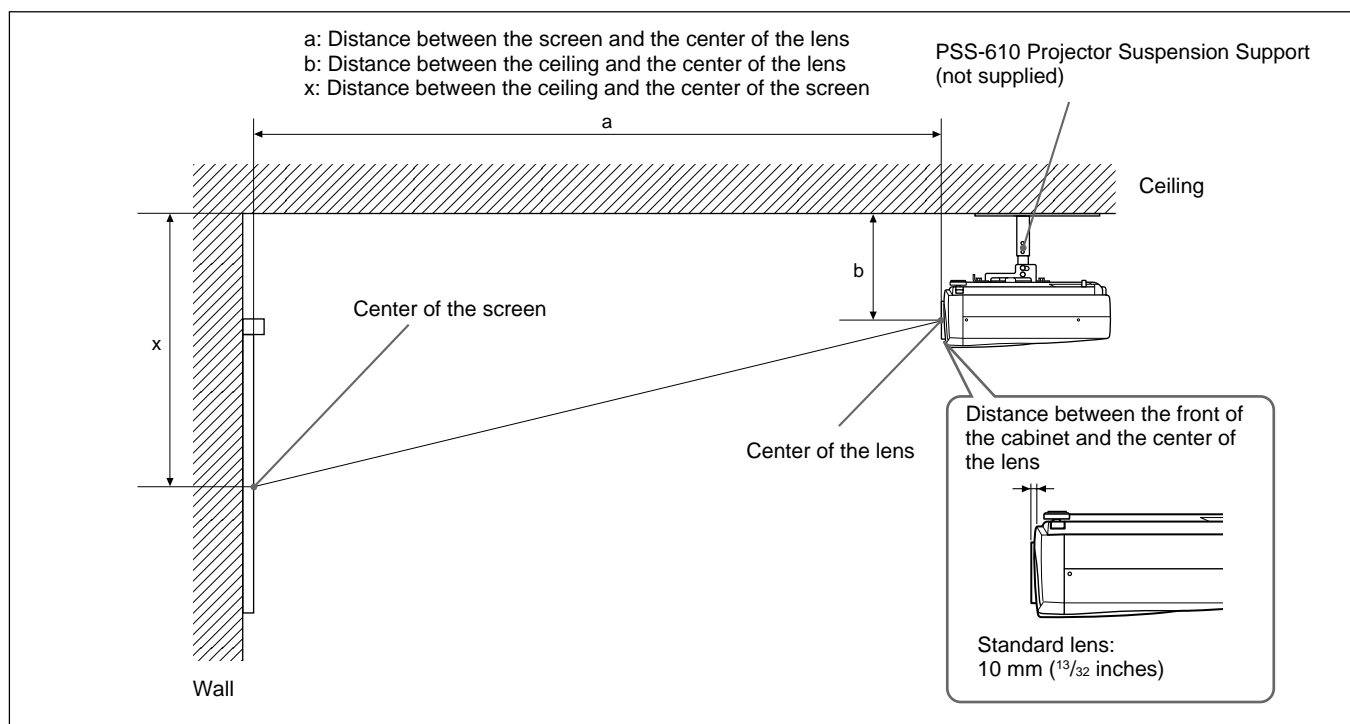
$$b = x - (SS/1.1087 \times 8.45)$$

$$c = x - (SS/1.1087 \times 8.45 + 99.5)$$

Ceiling Installation

When installing the projector on the ceiling, use the PSS-610 Projector Suspension Support.

For ceiling installation, consult with qualified Sony personnel.



Unit: mm (inches)

16:9 Screen size (inches)		80	100	120	150	180	200	250	300
a	Minimum	2600 (102 3/8)	3270 (128 7/8)	3930 (154 3/4)	4940 (194 5/8)	5940 (234)	6610 (260 3/8)	8270 (325 3/4)	9940 (391 1/2)
	Maximum	3010 (118 5/32)	3780 (148 7/8)	4550 (179 1/4)	5710 (224 7/8)	6860 (270 1/8)	7630 (300 1/2)	9560 (376 1/2)	11480 (452 1/8)
x		b+498 (b+19 5/8)	b+623 (b+24 5/8)	b+747 (b+29 1/2)	b+934 (b+36 7/8)	b+1121 (b+44 1/4)	b+1245 (b+49 1/8)	b+1556 (b+61 3/8)	b+1868 (b+73 5/8)
b		247/272/297/347/372/397 mm (9 3/4/10 3/4/11 3/4/13 3/4/14 3/4/15 3/4 inches) adjustable when using PSS-610							

To calculate the installation measurements (unit: mm)

SS: screen size diagonal (inches)

$$a \text{ (minimum)} = \{(SS \times 44.22/1.3573) - 70.76208\} \times 1.025$$

$$a \text{ (maximum)} = \{(SS \times 53.599173/1.3573) - 70.17171\} \times 0.975$$

$$x = b + (SS/1.3573 \times 8.45)$$

Unit: mm (inches)

4:3 Screen size (inches)		80	100	120	150	180	200	250	300
a	Minimum	3200 (126)	4020 (158 5/16)	4830 (190 1/4)	6060 (238 5/8)	7290 (287 1/8)	8100 (319)	10150 (399 3/4)	12190 (480)
	Maximum	3700 (145 3/4)	4650 (183 1/8)	5590 (220 1/8)	7000 (275 5/8)	8420 (331 5/8)	9360 (368 5/8)	11720 (461 1/2)	14070 (554 1/8)
x		b+610 (b+24 1/8)	b+762 (b+30)	b+915 (b+36 1/8)	b+1143 (b+45)	b+1372 (b+54 1/8)	b+1524 (b+60)	b+1905 (b+75 1/8)	b+2287 (b+90 1/8)
b		247/272/297/347/372/397 mm (9 3/4/10 3/4/11 3/4/13 3/4/14 3/4/15 3/4 inches) adjustable when using PSS-610							

To calculate the installation measurements (unit: mm)

SS: screen size diagonal (inches)

$$a \text{ (minimum)} = \{(SS \times 44.22/1.1087) - 70.76208\} \times 1.025$$

$$a \text{ (maximum)} = \{(SS \times 53.597384/1.1087) - 70.27214\} \times 0.975$$

$$x = b + (SS/1.1087 \times 8.45)$$

When you install the projector on the ceiling, and you are using the VPLL-ZM101 or VPLL-ZM31 Projection Lens, see the following chart for the appropriate installation measurements.

About lens attachment

Attaching the lens may cause fire or injury to the person. Users should request qualified Sony representative to attach the lens.

For the VPLL-ZM101 Projection Lens

Unit: mm (inches)

16:9 Screen size (inches)		80	100	120	150	180	200	250	300
a	Minimum	5210 (205 2/8)	6570 (258 9/8)	7930 (312 1/8)	9960 (392 2/8)	11990 (472 3/8)	13350 (525 6/8)	16740 (659 3/8)	20130 (792 5/8)
	Maximum	7700 (303 2/8)	9670 (381)	11650 (458 7/8)	14620 (575 5/8)	17580 (692 2/8)	19560 (770 1/8)	24500 (964 5/8)	29440 (1159 2/8)
x		b+498 (b+19 5/8)	b+623 (b+24 5/8)	b+747 (b+29 1/2)	b+934 (b+36 7/8)	b+1121 (b+44 1/4)	b+1245 (b+49 1/8)	b+1556 (b+61 3/8)	b+1868 (b+73 5/8)
b		247/272/297/347/372/397 mm (9 3/4/10 3/4/11 3/4/13 3/4/14 3/4/15 3/4 inches) adjustable when using PSS-610							

To calculate the installation measurements (unit: mm)

SS: screen size diagonal (inches)

$$a \text{ (minimum)} = \{(SS \times 89.8220/1.3573) - 209.2626\} \times 1.025$$

$$a \text{ (maximum)} = \{(SS \times 137.5601/1.3573) - 211.5915\} \times 0.975$$

$$x = b + (SS/1.3573 \times 8.45)$$

Unit: mm (inches)

4:3 Screen size (inches)		80	100	120	150	180	200	250	300
a	Minimum	6430 (253 2/8)	8090 (318 5/8)	9750 (384)	12240 (482)	14730 (580)	16390 (645 5/8)	20550 (809)	24700 (972 5/8)
	Maximum	9470 (373)	11890 (468 2/8)	14310 (563 4/8)	17940 (706 4/8)	21570 (849 3/8)	23990 (944 5/8)	30040 (1182 6/8)	36090 (1421)
x		b+610 (b+24 1/8)	b+762 (b+30)	b+915 (b+36 1/8)	b+1143 (b+45)	b+1372 (b+54 1/8)	b+1524 (b+60)	b+1905 (b+75 1/8)	b+2287 (b+90 1/8)
b		247/272/297/347/372/397 mm (9 3/4/10 3/4/11 3/4/13 3/4/14 3/4/15 3/4 inches) adjustable when using PSS-610							

To calculate the installation measurements (unit: mm)

SS: screen size diagonal (inches)

$$a \text{ (minimum)} = \{(SS \times 89.8220/1.1087) - 209.2626\} \times 1.025$$

$$a \text{ (maximum)} = \{(SS \times 137.5601/1.1087) - 211.5915\} \times 0.975$$

$$x = b + (SS/1.1087 \times 8.45)$$

For the VPLL-ZM31 Projection Lens

Unit: mm (inches)

16:9 Screen size (inches)		80	100	120	150	180	200	250	300
a	Minimum	2400 (94 ⁵ / ₈)	3030 (119 ⁴ / ₈)	3660 (144 ³ / ₈)	4610 (181 ⁵ / ₈)	5560 (218 ⁷ / ₈)	6190 (243 ⁵ / ₈)	7760 (305 ⁶ / ₈)	9340 (367 ⁶ / ₈)
	Maximum	2520 (99 ³ / ₈)	3180 (125 ³ / ₈)	3840 (151 ² / ₈)	4830 (190 ¹ / ₈)	5810 (229)	6470 (254 ⁷ / ₈)	8120 (319 ⁶ / ₈)	9760 (384 ⁴ / ₈)
x		b+498 (b+19 ⁵ / ₈)	b+623 (b+24 ³ / ₈)	b+747 (b+29 ¹ / ₂)	b+934 (b+36 ⁷ / ₈)	b+1121 (b+44 ¹ / ₄)	b+1245 (b+49 ¹ / ₈)	b+1556 (b+61 ³ / ₈)	b+1868 (b+73 ⁵ / ₈)
b		247/272/297/347/372/397 mm (9 ³ / ₄ /10 ³ / ₄ /11 ³ / ₄ /13 ³ / ₄ /14 ³ / ₄ /15 ³ / ₄ inches) adjustable when using PSS-610							

To calculate the installation measurements (unit: mm)

SS: screen size diagonal (inches)

$$a \text{ (minimum)} = \{(SS \times 41.75/1.3573) - 116.2604\} \times 1.025$$

$$a \text{ (maximum)} = \{(SS \times 45.8210/1.3573) - 112.9154\} \times 0.975$$

$$x = b + (SS/1.3573 \times 8.45)$$

Unit: mm (inches)

4:3 Screen size (inches)		80	100	120	150	180	200	250	300
a	Minimum	2970 (117)	3740 (147 ³ / ₈)	4510 (177 ⁶ / ₈)	5670 (223 ³ / ₈)	6830 (269)	7600 (299 ³ / ₈)	9530 (375 ³ / ₈)	11460 (451 ² / ₈)
	Maximum	3110 (122 ⁵ / ₈)	3920 (154 ³ / ₈)	4730 (186 ¹ / ₈)	5930 (233 ⁶ / ₈)	7140 (281 ³ / ₈)	7950 (313)	9960 (392 ³ / ₈)	11980 (471 ⁶ / ₈)
x		b+610 (b+24 ¹ / ₈)	b+762 (b+30)	b+915 (b+36 ¹ / ₈)	b+1143 (b+45)	b+1372 (b+54 ¹ / ₈)	b+1524 (b+60)	b+1905 (b+75 ¹ / ₈)	b+2287 (b+90 ¹ / ₈)
b		247/272/297/347/372/397 mm (9 ³ / ₄ /10 ³ / ₄ /11 ³ / ₄ /13 ³ / ₄ /14 ³ / ₄ /15 ³ / ₄ inches) adjustable when using PSS-610							

To calculate the installation measurements (unit: mm)

SS: screen size diagonal (inches)

$$a \text{ (minimum)} = \{(SS \times 41.75/1.1087) - 116.2604\} \times 1.025$$

$$a \text{ (maximum)} = \{(SS \times 45.8210/1.1087) - 112.9154\} \times 0.975$$

$$x = b + (SS/1.1087 \times 8.45)$$

Attaching the projector suspension support PSS-610

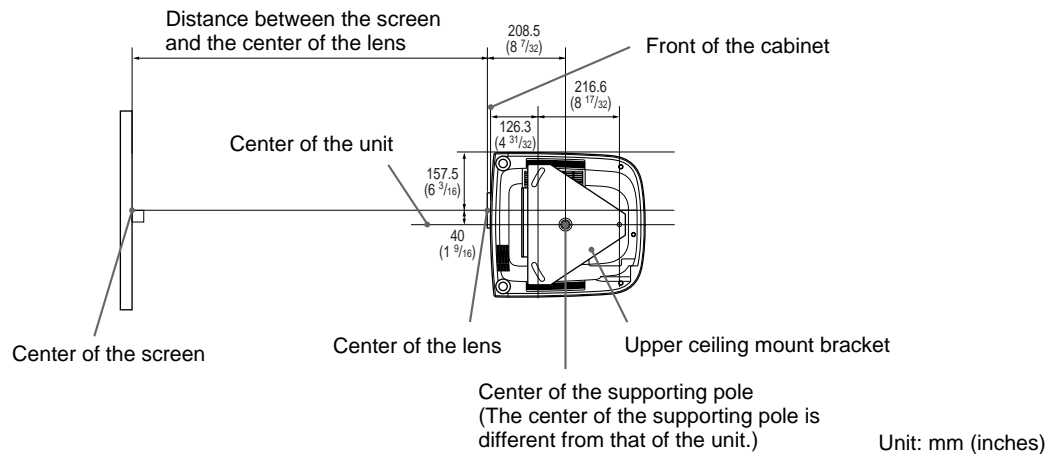
When installing the projector on the ceiling, use the PSS-610 Projector Suspension Support. For more details on the ceiling installation, refer to the

Installation manual for Dealers of the PSS-610. The installation measurements are shown below when you install the projector on the ceiling.

Installation diagram

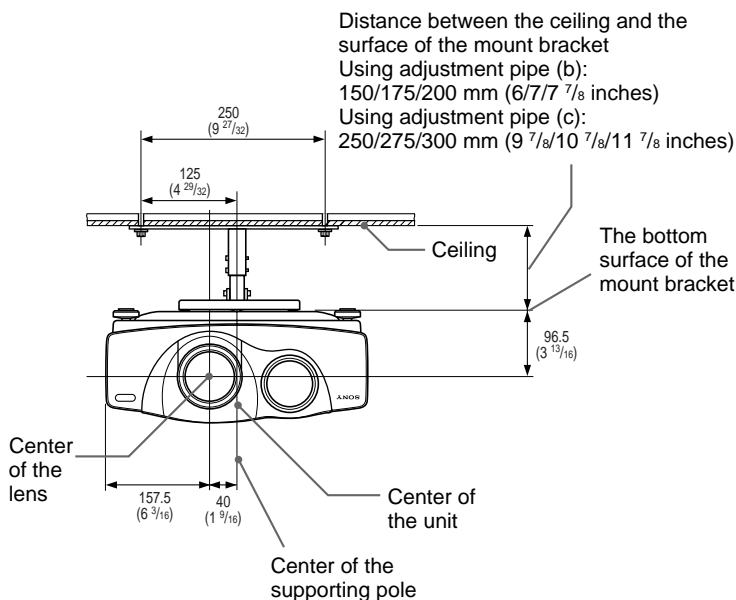
Top view

Align the center of the lens with the center of the screen.

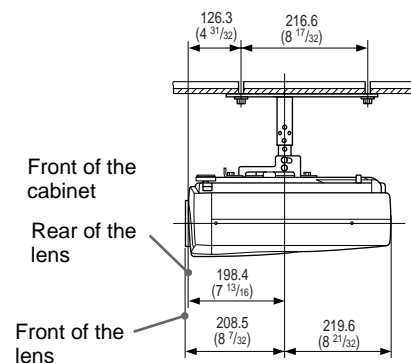


Front view

The lens is offset 40 mm (1 9/16 inch) to the left from the center of the supporting pole. When mounting, take care to align the center of the lens with the center of the screen; not the center of the supporting pole.



Side view

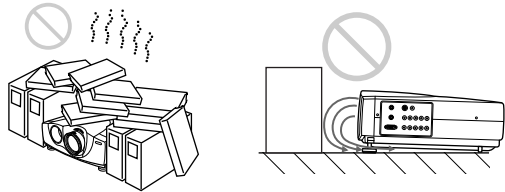


Notes on Installation

Unsuitable Installation

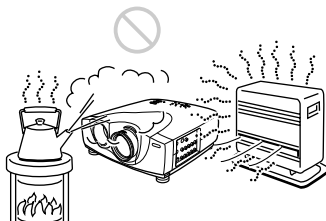
Do not install the projector in the following situations. These installations may cause malfunction or damage to the projector.

Poorly ventilated



- **Allow adequate air circulation to prevent internal heat build-up.** Do not place the unit on surfaces (rugs, blankets, etc.) or near materials (curtains, draperies) that may block the ventilation holes. When internal heat builds up due to blockage of the ventilation holes, the temperature sensor may function, with the message “High Temp.! Lamp off in 1 min.” displayed. At that point, the power may be turned off automatically after one minute.
- Leave space of more than 30 cm (11 ⁷/₈ inches) around the unit.
- **Be careful that the ventilation holes do not inhale tiny objects** such as pieces of paper.
- If you put something in front of the front ventilation holes, the exhaust may be inhaled into the projector through the ventilation holes at the bottom, causing the internal temperature to rise, which activates the protection circuit. **Install the projector so that the exhaust is not blocked.**

Highly heated and humid



- Avoid installing the unit in a location where the temperature or humidity is very high, or the temperature is very low.
- To avoid moisture condensation, do not install the unit in a location where the temperature may rise rapidly.

Very dusty

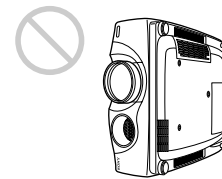


Avoid installing the unit in a location where there is a lot of dust; otherwise, the air filter will clog. **The dust blocking the air through the filter may cause the internal heat level of the projector to rise.** Replace it with a new one periodically.

Unsuitable Conditions for Use

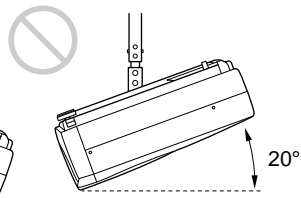
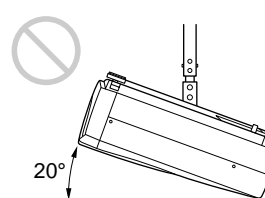
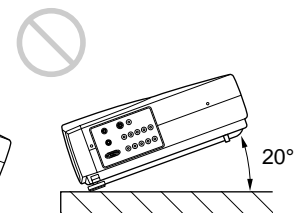
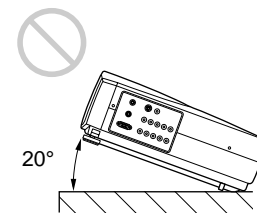
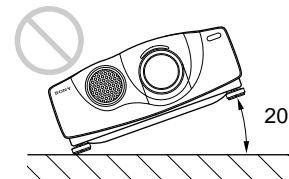
Do not do any of the following.

Standing on its side



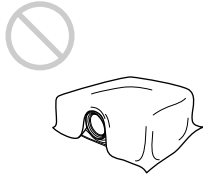
Avoid using the unit standing on its side. This may cause a malfunction.

Tilting front/rear and right/left

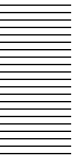


Avoid using as the unit tilted at an angle of more than 20 degrees. Do not install the unit other than on a level surface or on the ceiling. Installation of the unit improperly may cause a malfunction.

Blocking the ventilation holes



Avoid using something that covers over the ventilation holes; otherwise, the internal heat level may build up.



Maintenance

Notes

- If the lamp breaks, consult with qualified Sony personnel.
- Pull out the lamp unit by holding the handle. **If you touch the lamp unit, you may be burned or injured.**
- When removing the lamp unit, make sure it remains horizontal, then pull straight up. Do not tilt the lamp unit. **If you pull out the lamp unit while it is tilted and if the lamp breaks, the pieces may scatter, causing injury.**

Replacing the Lamp

When the lamp begins to dim, replace it promptly with a new LMP-P201 Projector Lamp (not supplied). It is recommended that you replace the lamp with a new one after about 2000 hours with the OFF setting, or about 3000 hours with the ON setting of the CINEMA BLACK item.

When it is time to change the lamp, a message saying “Please replace the LAMP.” will be displayed.

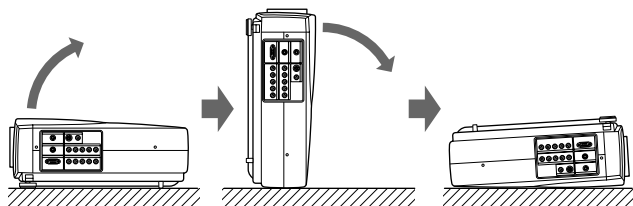
When replacing the lamp after using the projector

Turn off the projector, then unplug the power cord. **Wait for at least an hour for the lamp to cool.**

Note

The lamp remains at a high temperature after you turn off the projector with the I / ⏻ key. If you touch the lamp, **you may burn your finger.** **When you replace the lamp, wait for at least an hour for the lamp to cool.**

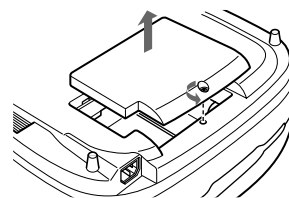
- 1 Place a protective sheet (cloth) beneath the projector. Hold the projector and turn the projector toward the back as shown below.



Note

When replacing the lamp, be sure the projector is on a flat and stable surface.

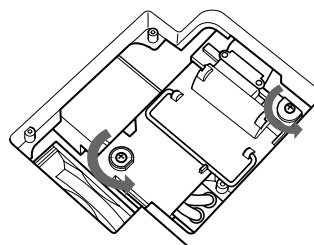
- 2 Open the lamp cover by loosening the screw with the Phillips screwdriver supplied with the LMP-P201 Projector Lamp.



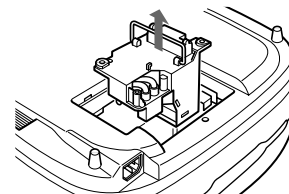
- 3 Loosen the two screws on the lamp unit with the Phillips screwdriver.

Note

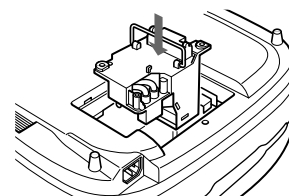
The screws cannot be removed from the lamp unit.



- 4 While holding the handle and keeping the lamp unit horizontal, pull straight up.



- 5 Insert the new lamp all the way in until it is securely in place. Tighten the screws. Fold down the handle.



Notes

- Be careful not to touch the glass surface of the lamp.
- The power will not turn on if the lamp is not secured properly.
- LMP-P200 cannot be used with this projector.

(Continued)

- 6 Close the lamp cover and tighten the screw.
- 7 Turn the projector back over.
- 8 Connect the power cord and turn the projector to the standby mode.
- 9 Press the following keys on the control panel in the following order for less than five seconds each: RESET, ←, →, ENTER.

Notes

- Do not put your hands into the lamp replacement socket, and do not allow any liquid or objects to fall into it to avoid electrical shock or fire.
- Be sure to use an LMP-P201 Projector Lamp for replacement. If you use lamps other than the LMP-P201, the projector may malfunction.
- Be sure to turn off the projector and unplug the power cord before replacing the lamp.

Disposal of the used lamp

As the used lamp contains Mercury, dispose of the lamp according to local, state or federal laws.

As the materials used in this lamp are similar to those of a fluorescent lamp, you should dispose of a used projector lamp in the same way as a fluorescent lamp.

Replacing the Air Filter!

The air filter should be replaced when a warning message is displayed on the screen!

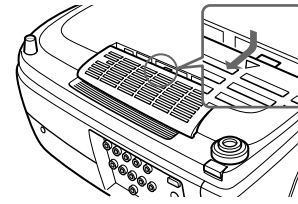
To replace the air filter, follow the steps below:

Note

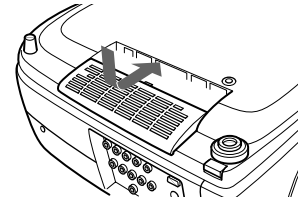
If you keep on using this unit without replacing the air filter, the filter may start to clog with dust. If this happens and the internal temperature of the unit rises, the heat protection function may prevent the use of the projector for a short time. **This filter cannot be cleaned; please replace it on a regular basis.** You may need to replace the filter earlier than suggested, depending on the environment in which you use the unit.

- 1 Turn off the power and unplug the power cord.

- 2 While pressing the triangle mark on the air filter, slide and remove the air filter (at the bottom of the projector).



- 3 Attach the new air filter aligning with the guides on the projector. Slide the air filter until it clicks.



Notes

- Be sure to attach the air filter firmly; the power cannot be turned on if it is not attached securely. Also, if there are any gaps left open between the air filter and the unit, dust can get inside, and the quality of the picture may deteriorate as a result.
- Time for the replacement of the air filter depends on the environment in which the projector is being used.
- When the air filter clogs with dust, a message saying “Please replace the filter.” will be displayed.

To reset the air filter

After replacing the air filter, follow the steps below to reset the air filter. When you are using the projector for the first time, you should also reset the air filter for the clog detection function to operate correctly.

- 1 Connect the power cord and turn the projector to the standby mode.
- 2 Press the following keys on the control panel in the following order for less than five seconds each: RESET, MENU, ↓, ENTER.
- 3 Turn the power on by pressing the I / ⏻ key on the control panel or the I key on the Remote Commander.

Note

Be sure to follow the operations described above. The clog detection function for the filter will not operate correctly if you do not follow these steps.

Troubleshooting

If the projector appears to be operating erratically, try to diagnose and correct the problem using the following guide. If the problem still persists, consult with qualified Sony personnel.

Power

Symptom	Cause	Remedy
The power is not turned on.	The power has been turned off and on with the I / ⏻ key at too short an interval.	Wait for about 120 seconds before turning on the power (see page 22 (GB)).
	The lamp cover is detached.	Close the lamp cover securely (see page 41 (GB)).
	The air filter is detached.	Attach the air filter securely (see page 42 (GB)).

Image

Symptom	Cause	Remedy
No picture.	A cable is disconnected or not connected properly.	Check that the proper connections have been made (see pages 16 (GB) to 18 (GB)).
	Invalid input setting.	Set the INPUT-A/B setting according to the input signal.
	The input selection is incorrect.	Select the input source correctly using the INPUT key (see page 20 (GB)).
	The picture is cut off.	Press the MUTING PIC key to release the muting function (see page 20 (GB)).
	The computer signals are not set to output to an external monitor.	Set the computer signal to output to an external monitor (see page 17 (GB)).
	The computer signal is set to output to both the LCD of the computer and an external monitor.	Set the computer signal to output only to an external monitor (see page 17 (GB)).
The picture flickers.	On rare occasions, the picture may flicker when using the projector with CINEMA BLACK in the INSTALL SETTING menu set to ON.	Set CINEMA BLACK to OFF and clear the menu display once. Then, display the INSTALL SETTING menu again and set CINEMA BLACK to ON (see page 31 (GB)).
	On rare occasions, the picture may flicker until the projector lamp fully warms up (this takes about 20 minutes after turning on the unit).	As this is not a sign of malfunction, continue to use the unit normally, in spite of the flicker.
The picture is noisy.	If you input computer signals, some noise will appear in the background on certain screens depending on the number of dots in the input signals and LCD pixels.	Change the desktop pattern on the connected computer.
On-screen display does not appear.	STATUS in the SET SETTING menu has been set to OFF.	Set STATUS in the SET SETTING menu to ON (see page 30 (GB)).

Remote Commander

Symptom	Cause	Remedy
The Remote Commander does not work.	The Remote Commander batteries are dead.	Replace with new batteries (<i>see page 15 (GB)</i>).
	The remote control cable is not connected to the CONTROL S IN connector (projector) or CONTROL S OUT (Remote Commander).	Connect the remote control cable to both the projector and Remote Commander, or disconnect the cable (<i>see page 15 (GB)</i>).
	The front/rear remote control detector is near a fluorescent lamp.	Change the setting of SIRCS RECEIVER in the SET SETTING menu (<i>see page 30 (GB)</i>).
	There are no batteries in the Remote Commander.	Install batteries (<i>see page 15 (GB)</i>).

Others

Symptom	Cause	Remedy
The LAMP/COVER indicator flashes.	The lamp cover or the air filter is detached.	Attach the lamp cover or the air filter securely (<i>see pages 41 (GB) and 42 (GB)</i>).
The LAMP/COVER indicator lights up.	The lamp has reached the end of its life.	Replace the lamp (<i>see pages 41 (GB) and 42 (GB)</i>).
	The lamp has reached too a high temperature.	Wait for 120 seconds to cool down the lamp and turn on the power again (<i>see page 22 (GB)</i>).
The TEMP/FAN indicator flashes.	The fan is broken.	Consult with qualified Sony personnel.
The TEMP/FAN indicator lights up.	The internal temperature is unusually high.	Check to see if nothing is blocking the ventilation holes. Check to see if the air filter is clogged with dust. (Do not use an air filter for more than 500 hours.)
Both LAMP/COVER and TEMP/FAN indicators light up.	The electrical system has failed.	Consult with qualified Sony personnel.

Warning messages

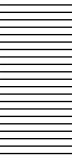
Use the list below to check the meaning of the messages displayed on the screen.

Message	Meaning	Remedy
High temp.! Lamp off in 1 min.	Internal temperature is too high.	Turn off the power. Check to see if nothing is blocking the ventilation holes. Check to see if the air filter is clogged with dust. (Do not use an air filter for more than 500 hours.)
Frequency is out of range!	This input signal cannot be projected as the frequency is out of the acceptable range of the projector.	Input a signal that is within the frequency range.
	The resolution setting of the output signal of the computer is too high.	Set the setting of output to XGA (<i>see page 17 (GB)</i>).
Please check INPUT-A setting.	You have input an RGB signal from the computer when INPUT-A in the SET SETTING menu is set to COMPONENT, DTV YP _B Pr or DTV GBR.	Set INPUT-A correctly (<i>see page 30 (GB)</i>).
Please check INPUT-B setting.	You have input an RGB signal from the computer when INPUT-B in the SET SETTING menu is set to COMPONENT, DTV YP _B Pr or DTV GBR.	Set INPUT-B correctly (<i>see page 30 (GB)</i>).
Please replace the LAMP.	It is time to replace the lamp.	Replace the lamp.
Please replace the filter.	The air filter is clogged with dust.	Replace the air filter.

Caution messages

Use the list below to check the meaning of the messages displayed on the screen.

Message	Meaning	Remedy
NO INPUT	No input signal	Check the input connections (<i>see pages 16 (GB) to 18 (GB)</i>).
Not applicable!	You have pressed the wrong key.	Press the appropriate key.



Specifications

Optical characteristics

Projection system	3 LCD panels, 1 lens, projection system
LCD panel	1.35-inch p-Si TFT LCD panel 3,147,264 pixels (1,049,088 pixels × 3)
Lens	Approx. 1.2 times zoom lens f 44.6 to 53.6 mm/F 2.4 to 2.7
Lamp	200 W UHP
Projection picture size	Range: 40 to 300 inches (diagonal measure)
Light output	ANSI lumen ¹⁾ 1000 lm
Throwing distance	<16:9> 40-inch: 1260 to 1470 mm (49 ⁵ / ₈ to 58 inches) 60-inch: 1930 to 2240 mm (76 to 88 ¹ / ₄ inches) 80-inch: 2600 to 3010 mm (102 ³ / ₈ to 118 ⁵ / ₈ inches) 100-inch: 3270 to 3780 mm (128 ⁷ / ₈ to 148 ⁷ / ₈ inches) 120-inch: 3930 to 4550 mm (154 ³ / ₄ to 179 ¹ / ₄ inches) 150-inch: 4940 to 5710 mm (194 ⁵ / ₈ to 224 ⁷ / ₈ inches) 180-inch: 5940 to 6860 mm (234 to 270 ¹ / ₈ inches) 200-inch: 6610 to 7630 mm (260 ³ / ₈ to 300 ¹ / ₂ inches) 250-inch: 8270 to 9560 mm (325 ³ / ₄ to 376 ¹ / ₂ inches) 300-inch: 9940 to 11480 mm (391 ¹ / ₂ to 452 ¹ / ₈ inches) <4:3> 40-inch: 1560 to 1820 mm (61 ¹ / ₂ to 71 ³ / ₄ inches) 60-inch: 2380 to 2760 mm (93 ³ / ₄ to 108 ³ / ₄ inches) 80-inch: 3200 to 3700 mm (126 to 145 ³ / ₄ inches) 100-inch: 4020 to 4650 mm (158 ⁵ / ₁₆ to 183 ¹ / ₈ inches) 120-inch: 4830 to 5590 mm (190 ¹ / ₄ to 220 ¹ / ₈ inches) 150-inch: 6060 to 7000 mm (238 ⁵ / ₈ to 275 ⁵ / ₈ inches) 180-inch: 7290 to 8420 mm (287 ¹ / ₈ to 331 ⁵ / ₈ inches)

200-inch:	8100 to 9360 mm (319 to 368 ⁵ / ₈ inches)
250-inch:	10150 to 11720 mm (399 ³ / ₄ to 461 ¹ / ₂ inches)
300-inch:	12190 to 14070 mm (480 to 554 ¹ / ₈ inches)

Electrical characteristics

Color system	NTSC _{3.58} /PAL/SECAM/NTSC _{4.43} / PAL-M/PAL-N system, switched automatically/manually
Resolution	750 horizontal TV lines (Video input) 1366 × 768 pixels (RGB input)
Acceptable range for computer signals	fH: 15 to 80 kHz fV: 50 to 85 Hz

Input/Output

VIDEO IN	VIDEO: RCA type Composite video: 1 Vp-p ±2 dB sync negative (75 ohms terminated) S VIDEO: Y/C mini DIN 4-pin type (female) Y (luminance): 1 Vp-p ±2 dB sync negative (75 ohms terminated) C (chrominance): burst 0.286 Vp-p ±2 dB (NTSC) (75 ohms terminated), burst 0.3 Vp-p ±2 dB (PAL) (75 ohms terminated)
INPUT A/B	Component/Progressive component/HDTV/RGB: RCA type (female) G: 0.7 Vp-p ±2 dB (75 ohms terminated) G with sync/Y: 1 Vp-p ±2 dB sync negative (75 ohms terminated) B/CB/PB: 0.7 Vp-p ±2 dB R/CR/PR: 0.7 Vp-p ±2 dB (75 ohms terminated) SYNC/HD: Composite sync input: 1-5 Vp-p high impedance, positive/ negative Horizontal sync input: 1-5 Vp-p high impedance, positive/ negative

1) ANSI lumen is a measuring method of American National Standards Institute IT 7.228.

	VD:
	Vertical sync input: 1-5 V _{p-p} high impedance, positive/ negative
REMOTE CONTROL S IN/PLUG IN POWER	RS-232C: D-sub 9-pin (female)
	Stereo minijack 5 V _{p-p} , plug in power, DC 5 V
TRIGGER	Power on: DC 12 V 4.7 kohm output impedance Power off: 0 V
Safety regulations:	UL, cUL, FCC Class B, IC Class B, NEMKO, CE (LVD/EMC), C-Tick

General

Dimensions	395 × 168 × 427 mm (15 ⁵ / ₈ × 6 ⁵ / ₈ × 16 ⁷ / ₈ inches) (w/h/d)
Mass	Approx. 8 kg (17 lb 10 oz)
Power requirements	AC 100 to 240 V, 50/60 Hz
Power consumption	Max. 300 W (Standby mode: 6 W)
Peak inrush current	(1) Power ON, current probe method: 58.0 A (240 V) (2) Hot switching inrush current, measured in accordance with European standard EN55103-1: 24.3 A (230 V)
Operating temperature	0 °C to 35 °C (32 °F to 95 °F)
Operating humidity	35 % to 85 % (no condensation)
Storage temperature	-20 °C to 60 °C (-4 °F to 140 °F)
Storage humidity	10 % to 90 %
Supplied accessories	Remote Commander RM-PJVW10 (1) R6 (Size AA) batteries (2) Lens cap (1) AC power cord (1) Cinema Filter (1) Air filter (for replacement) (3) Operating Instructions (1) CD-ROM (ImageDirector) (1) Software Licenses (1)

Design and specifications are subject to change
without notice.

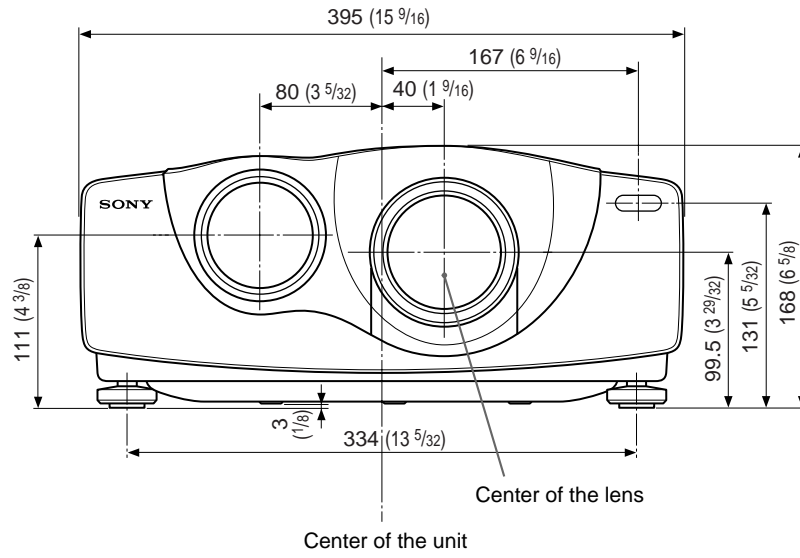
Optional accessories

Projector Lamp LMP-P201 (for replacement)
Projector Suspension Support PSS-610
Air Filter PK-VW11FL
Projection Lens
1.5 times zoom long focus lens VPLL-ZM101
1.1 times zoom short focus lens VPLL-ZM31

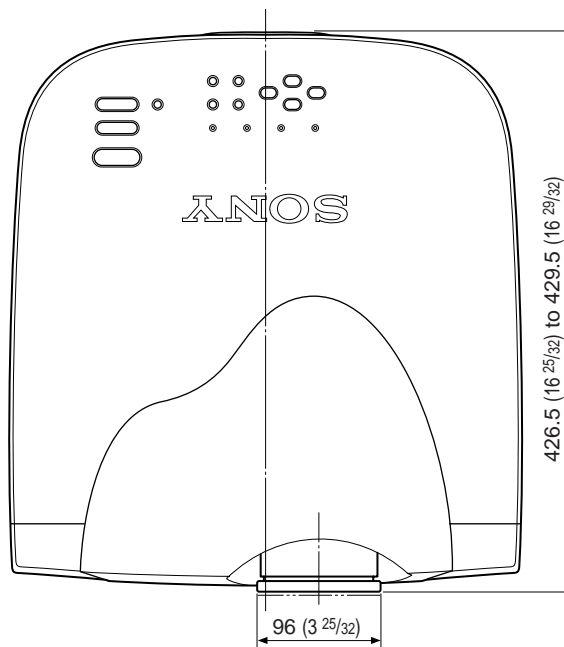
*Some of the items may not be available in some areas. For
details, please consult your nearest Sony dealer.*

Dimensions

Front

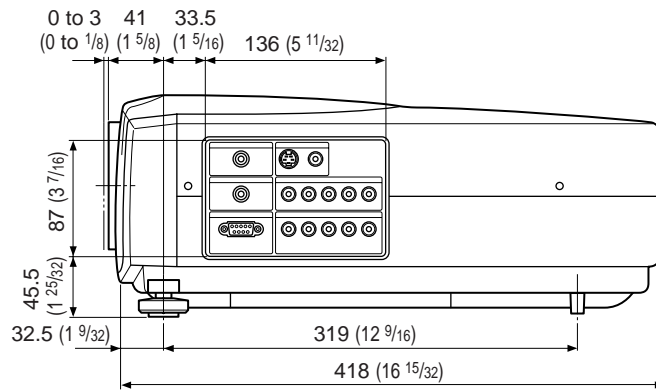


Top

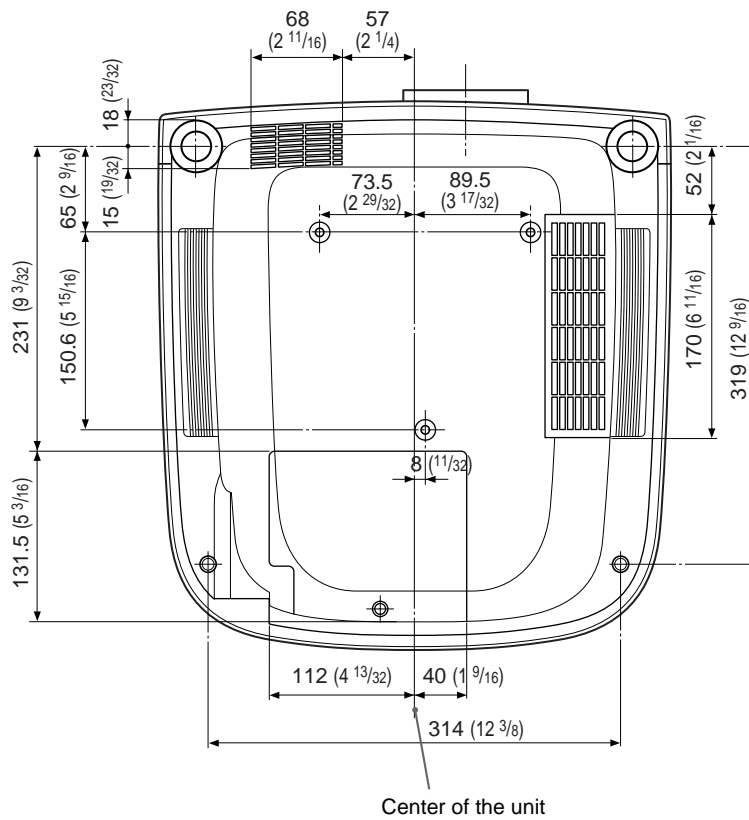


Unit: mm (inches)

Side



Bottom



Unit: mm (inches)

Index

A

Adjuster 11 (GB)
 Adjusting
 retention of the settings 23 (GB)
 the picture 24 (GB), 25 (GB)
 the picture size/shift 25 (GB), 26 (GB)
 Adjusting the size of the picture 20 (GB)
 Air filter 42 (GB)
 ASPECT 26 (GB)

B

Battery
 installation 15 (GB)
 notes 15 (GB)
 BRIGHT 24 (GB)

C

CINE MOTION 30 (GB)
 CINEMA BLACK 31 (GB)
 Cinema Filter 11 (GB)
 COLOR 24 (GB)
 COLOR SYS (System) 24 (GB)
 COLOR TEMP 24 (GB)
 Condensation 39 (GB)
 Connections
 component equipment 16 (GB)
 computer 17 (GB)
 VCR 16 (GB)
 CONTRAST 24 (GB)
 Cut off the picture 20 (GB)

D, E, F, G

DIGIT KEYSTONE 31 (GB)
 Dimensions 48 (GB)
 D. (Dynamic) PICTURE 24 (GB)
 DOT PHASE 25 (GB)
 DRC-MF 24 (GB)

H

HUE 24 (GB)

I, J, K

INPUT-A 30 (GB)
 INPUT-B 30 (GB)
 INPUT SETTING menu 25 (GB)
 INSTALL SETTING menu 31 (GB)
 INSTALLATION 31 (GB)
 Installation example
 on a ceiling 35 (GB)
 on a floor 32 (GB)
 KEYSTONE MEM 31 (GB)

L

Lamp replacement 41 (GB)
 LAMP TIMER 31 (GB)
 LANGUAGE 30 (GB)
 Location and function of controls
 connector panel 13 (GB)
 control panel 12 (GB)
 front/left side 10 (GB)
 rear/right side/bottom 10 (GB)
 Remote Commander 14 (GB)

M, N

Menu
 clearing the menu display 19 (GB)
 INPUT SETTING menu 25 (GB)
 INSTALL SETTING menu 31 (GB)
 PICTURE CTRL menu 24 (GB)
 SET SETTING menu 30 (GB)
 using the menu 23 (GB)

Messages

cautions 45 (GB)
 warnings 44 (GB)

Notes on installation

unsuitable conditions for use 39 (GB)
 unsuitable installation 39 (GB)

O

Optional accessories 47 (GB)

P, Q

PICTURE CTRL menu 24 (GB)
 Power
 turn off 22 (GB)
 turn on 19 (GB)
 POWER SAVING 12 (GB), 30 (GB)
 Precautions 7 (GB)
 Projecting 19 (GB)
 PSS-610 Projector Suspension
 Support 35 (GB)

R

Remote Commander
 battery installation 15 (GB)
 location and function of
 controls 14 (GB)
 Remote control detector
 front 10 (GB)
 rear 10 (GB)
 Reset
 resettable items 23 (GB)
 resetting the air filter 42 (GB)
 resetting the item 23 (GB)
 RGB ENHANCER 24 (GB)
 RS-232C connector 13 (GB)

S

SCAN CONV
 (Scan converter) 27 (GB)
 Screen size
 16 (GB), 32 (GB) – 37 (GB), 46 (GB)
 SET SETTING menu 30 (GB)
 SHARP 24 (GB)
 SHIFT 26 (GB)
 SIRCS RECEIVER 10 (GB), 30 (GB)
 SIZE H 25 (GB)
 Specifications 46 (GB)
 STATUS (on-screen display) 30 (GB)
 Supplied accessories 47 (GB)

T, U

TITLE AREA 27 (GB)
 Troubleshooting 43 (GB)

V, W, X, Y, Z

Ventilation holes
 exhaust 10 (GB)
 intake 10 (GB)
 VIDEO MEMORY 27 (GB)
 V SCROLL 27 (GB)

AVERTISSEMENT

Pour éviter tout risque d'incendie ou d'électrocution, ne pas exposer cet appareil à la pluie ou à l'humidité.

Pour prévenir tout risque d'électrocution, ne pas ouvrir le boîtier. Confier l'entretien de cet appareil exclusivement à un personnel qualifié.

Pour les utilisateurs au Canada

Cet appareil numérique de la classe B est conforme à la norme NMB-003 du Canada.

La prise doit être près de l'appareil et facile d'accès.

Pour les clients européens

Ce produit portant la marque CE est conforme à la fois à la Directive sur la compatibilité électromagnétique (EMC) (89/336/CEE) et à la Directive sur les basses tensions (73/23/CEE) émises par la Commission de la Communauté européenne.

La conformité à ces directives implique la conformité aux normes européennes suivantes:

- EN60950: Sécurité des produits
- EN55103-1: Interférences électromagnétiques (émission)
- EN55103-2: Sensibilité électromagnétique (immunité)

Ce produit est prévu pour être utilisé dans les environnements électromagnétiques suivants:

E1 (résidentiel), E2 (commercial et industrie légère), E3 (urbain extérieur) et E4 (environnement EMC contrôlé ex. studio de télévision).

Avertissement sur la connexion électrique

Utilisez un cordon d'alimentation approprié à votre tension secteur locale.

	Etats-Unis, Canada		Europe continentale		Royaume-Uni, Irlande, Australie, Nouvelle-Zélande	Japon
Type de fiche	VM0233	290B	YP-12A	COX-07	— ¹⁾	YP332
Extrémité femelle	VM0089	386A	YC-13B	COX-02	VM0310B	YC-13
Type de cordon	SJT	SJT	H05VV-F	H05VV-F	N13237/CO-228	VCTF
Tension et courant nominaux	10A/125V	10A/125V	10A/250V	10A/250V	10A/250V	7A/125V
Agréation de sécurité	UL/CSA	UL/CSA	VDE	VDE	VDE	DENANHOU
Longueur maximale du cordon	4,5 m	4,5 m	—	—	—	—

1) Utilisez la fiche correcte pour votre pays.

Table des matières

Présentation

Précautions	5 (FR)
Caractéristiques	6 (FR)
Emplacement et fonction des commandes	8 (FR)
Avant/Côté gauche	8 (FR)
Arrière/Côté droit/Dessous	8 (FR)
Panneau de commande	10 (FR)
Panneau des connecteurs	11 (FR)
Télécommande	12 (FR)

Installation et projection

Installation du projecteur	14 (FR)
Raccordement du projecteur	14 (FR)
Raccordement à un magnétoscope/ système à signal RVB 15k/ à composantes progressif	14 (FR)
Raccordement à un ordinateur	15 (FR)
Sélection de la langue d'affichage des menus	16 (FR)
Projection	17 (FR)

Ajustements et réglages à l'aide du menu

Utilisation du menu	21 (FR)
Le menu CTRL IMAGE	22 (FR)
Le menu REGL ENTREE	23 (FR)
Le menu REGLAGE	28 (FR)
Le menu REGL. INSTAL.	29 (FR)

Installation

Exemples d'installation	30 (FR)
Installation au sol	30 (FR)
Installation au plafond	33 (FR)
Remarques concernant l'installation	37 (FR)
Installation déconseillée	37 (FR)
Conditions d'utilisation déconseillées	37 (FR)

Entretien

Entretien	39 (FR)
Remplacement de la lampe	39 (FR)
Remplacement du filtre à air!	40 (FR)
Dépannage	41 (FR)

Divers

Spécifications	44 (FR)
Index	48 (FR)

Précautions


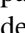
Sécurité

- Vérifiez si la tension de service de votre appareil est identique à la tension secteur locale.
- Si des liquides ou des solides venaient à pénétrer dans le châssis, débranchez l'appareil et faites-le vérifier par le personnel qualifié avant de le remettre en service.
- Débranchez l'appareil de la prise murale si vous prévoyez de ne pas l'utiliser pendant plusieurs jours.
- Pour débrancher le câble, saisissez-le par la fiche. Ne tirez jamais sur le câble proprement dit.
- La prise d'alimentation doit se trouver à proximité de l'appareil et être aisément accessible.
- L'appareil n'est pas déconnecté de la source d'alimentation (secteur) aussi longtemps qu'il reste branché sur la prise murale, même si l'appareil proprement dit a été mis hors tension.
- **Ne regardez pas vers l'objectif** lorsque la lampe est allumée.
- Ne placez pas la main ou d'autres objets à proximité des orifices de ventilation — l'air expulsé est brûlant.
- **Prenez garde à ne pas coincer vos doigts dans les supports réglables** lorsque vous soulevez le projecteur. N'exercez pas de pression sur le dessus du projecteur lorsque les supports réglables sont retirés.

Eclairage

- Pour obtenir la meilleure qualité d'image possible, l'avant de l'écran ne doit pas être directement exposé à la source d'éclairage ni au rayonnement solaire.
- Nous préconisons un éclairage au moyen de spots fixés au plafond. Placez un écran sur les lampes fluorescentes de façon à éviter une altération du niveau de contraste.
- Occultez les fenêtres qui font face à l'écran au moyen de draperies opaques.
- Il est préférable d'installer le projecteur dans une pièce où le sol et les murs ne sont pas revêtus d'un matériau réfléchissant la lumière. Si le sol et les murs réfléchissent la lumière, nous vous conseillons de remplacer le revêtement du sol et des murs par une couleur sombre.

Prévention de la surchauffe interne

Après avoir mis l'appareil hors tension au moyen de la touche  de la télécommande ou la touche I /  du panneau de commande, ne débranchez pas l'appareil de la prise secteur tant que le ventilateur de refroidissement continue à tourner.

Ne jamais obstruer les orifices de ventilation

Le projecteur est équipé d'orifices de ventilation (prise d'air) au bas et d'orifices de ventilation (sortie d'air) à l'avant. **N'obstruez pas ces orifices et ne placez rien à proximité**, car vous risqueriez de provoquer une surchauffe interne pouvant entraîner une altération de l'image ou des dommages au projecteur.

Entretien

- Pour conserver au châssis l'éclat du neuf, nettoyez-le régulièrement à l'aide d'un chiffon doux. Les taches tenaces s'éliminent en frottant avec un chiffon doux légèrement imprégné d'une solution détergente neutre. N'utilisez en aucun cas des solvants puissants tels que du diluant ou de la benzine ni de nettoyeurs abrasifs qui risqueraient d'altérer le fini du châssis.
- Ne touchez pas l'objectif. Pour éliminer la poussière de l'objectif, utilisez un chiffon doux et sec. N'utilisez pas de chiffon humide, de solution détergente ni de diluant.

Remballage

Conservez le carton d'emballage et les matériaux de conditionnement d'origine, car ils constituent une protection idéale en vue du transport de l'appareil. Pour une protection maximale, remballer votre appareil comme il a été emballé à l'origine en usine.

Sur le projecteur LCD

- Le projecteur LCD est fabriqué selon une technologie de haute précision. Il se peut cependant que de petits points noirs et/ou des points lumineux (rouge, bleu ou vert) apparaissent continuellement sur le projecteur LCD. Il s'agit d'un résultat normal du processus de fabrication qui n'indique pas un dysfonctionnement.
- L'air pollué par la fumée de tabac, etc., peut avoir un effet négatif sur le projecteur. Veillez à empêcher l'entrée directe de fumée de tabac, etc., dans cet appareil. Ventilez bien en cas d'utilisation de cet appareil dans une pièce fermée.

Caractéristiques

Luminosité élevée, haute qualité d'image

- **Nouveau panneau LCD élargi**

Le tout nouveau panneau LCD élargi à haute résolution (1366 × 768 points) assure une uniformité accrue et une réduction des images fantômes.

- **Contraste optimisé**

Les améliorations apportées au panneau LCD et au système optique offrent des images à contraste élevé.

- **Luminosité élevée – 1000 lumens ANSI**

Le panneau LCD, avec sa lampe de 200 W UHP, son unité optique et son objectif de toute dernière conception atteint un haut niveau de luminosité atteignant jusqu'à 1000 lumens ANSI (projection 16:9), et permet un visionnage amélioré sur votre téléviseur.

- **Image de haute qualité**

En plus du nouveau panneau LCD élargi, diverses fonctions sont désormais disponibles sur le projecteur. Il s'agit entre autres des fonctions DRC-MF (Digital Reality Creation Multifunction) (technologie d'image de haute qualité propre à Sony); CINEMA; 3-D Gamma Correction, offrant une excellente uniformité; Cinema Black Mode, un mode permettant de réduire le niveau de noir en fonction de la source d'entrée/environnement de projection; et 3-D YC Separation/DNR (NTSC), une fonction qui reproduit une image claire sans parasites.

Haut degré d'adaptabilité dans l'environnement domestique

- **Réduction des parasites**

La sortie d'air frontale est reliée à un ventilateur et à un conduit d'air internes. Cela signifie que la distance entre le ventilateur et la sortie d'air est longue, ce qui réduit considérablement les bruits du ventilateur.

- **Configuration flexible**

L'optique pour projecteur est doté d'une courte focale (100 po à 3,3 m (10,7 pi) avec un rapport d'écran de 16:9). La fonction de correction de trapèze permet la projection en mode de grand angle. La couleur blanche du projecteur est coordonnée à toutes les couleurs de murs, plafonds, etc.

- **Détection des saletés dans le filtre à air**

Ce projecteur utilise un filtre à air relié à un micro ordinateur permettant de détecter si le filtre est obstrué, selon l'environnement d'utilisation de l'appareil.

Pour détecter les saletés, **réinitialisez le filtre à air la première fois que vous utilisez le projecteur** et à chaque fois que vous remplacez le filtre à air.

Pour obtenir plus de détails, reportez-vous à "Pour réinitialiser le filtre à air" à la page 40 (FR).

Ecran large /DTV/Télévision à haute définition

- **Ecran large**

Ce projecteur utilise un panneau LCD de rapport d'écran de 16:9, ce qui autorise sept modes d'écran (ZOOM, PLEIN, SOUS-TITRE, ZOOM LARGE, etc.) à l'aide de tous les pixels du panneau (1366 × 768). L'appareil offre un mode direct normal et un mode direct plein pour reproduire une image nette avec mappage un à un.

- **DVD, DTV, télévision à haute définition**

L'image super-précise du projecteur dépasse 3,14 millions de pixels. Elle est également compatible avec les signaux télévisés DTV (télévision numérique) et de télévision à haute définition de la nouvelle génération. En combinaison avec un syntoniseur ou un décodeur MUSE (en option), vous pouvez exploiter la télévision DTV, la télévision à haute définition, des LD à haute définition, etc.

Mémoire vidéo

Le projecteur est doté d'une fonction de mémoire vidéo. L'utilisateur peut mémoriser 6 réglages (qualité de l'image, format, température des couleurs, DRC-MF, etc.) en fonction de la source d'entrée. L'utilisateur peut directement rappeler l'un des réglages à l'aide de la télécommande.

Correction gamma

Avec le logiciel de réglage gamma ("ImageDirector")¹⁾ fourni avec le projecteur, vous pouvez ajuster indépendamment les valeurs du rouge, du vert et du bleu (R, V, B).

Pour les directives d'utilisation du logiciel "ImageDirector", reportez-vous au mode d'emploi présent sur la CD-ROM fourni avec le projecteur.

1) Vous ne pouvez pas utiliser ce logiciel avec un système d'exploitation Macintosh.

Compatibilité multi-balayage

- **Convertisseur de balayage intégré**

Ce projecteur est équipé d'un convertisseur de balayage intégré qui convertit le signal d'entrée en images de 1366×768 pixels.

- **Compatible avec le format 16:9 RVB¹⁾**

Ce projecteur est compatible avec les signaux RVB au rapport d'aspect 16:9.

- **Signaux d'entrée**

Le projecteur peut accepter les signaux vidéo suivants: Composite, S-vidéo, à composantes, à composantes progressif, DTV (480i/p, 720p/1080i), HDTV, RVB 15k, VGA, SVGA, XGA et SXGA.

- **Compatible avec six systèmes couleur**

Les systèmes couleur NTSC^{3,58}, PAL, SECAM, NTSC^{4,43²⁾}, PAL-M et PAL-N peuvent être sélectionnés automatiquement ou manuellement.

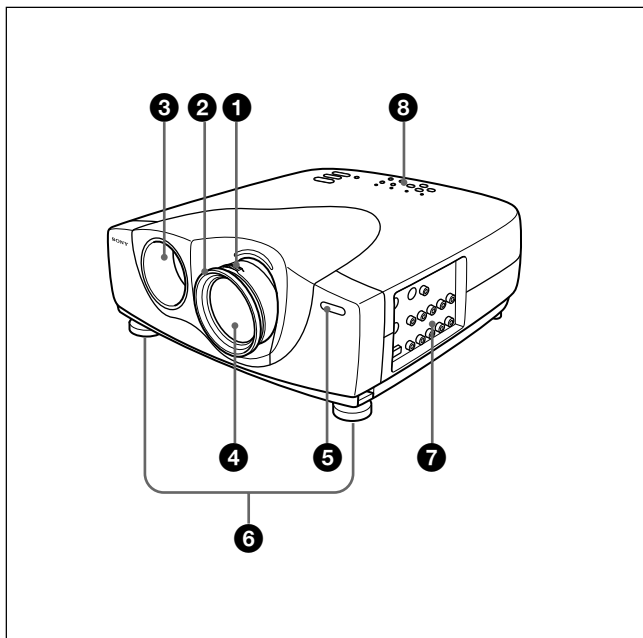
-
- VGA, SVGA, XGA et SXGA sont des marques commerciales déposées d'International Business Machines Corporation, U.S.A.
 - VESA est une marque commerciale déposée de Video Electronics Standards Association.
 - IBM[®] et PC/AT sont une marque de commerce et une marque de commerce déposée par International Business Machines Corporation aux Etats-Unis.
 - Macintosh est une marque commerciale déposée par Apple Computer, Inc.

1) Compatible avec les signaux spécifiés uniquement.

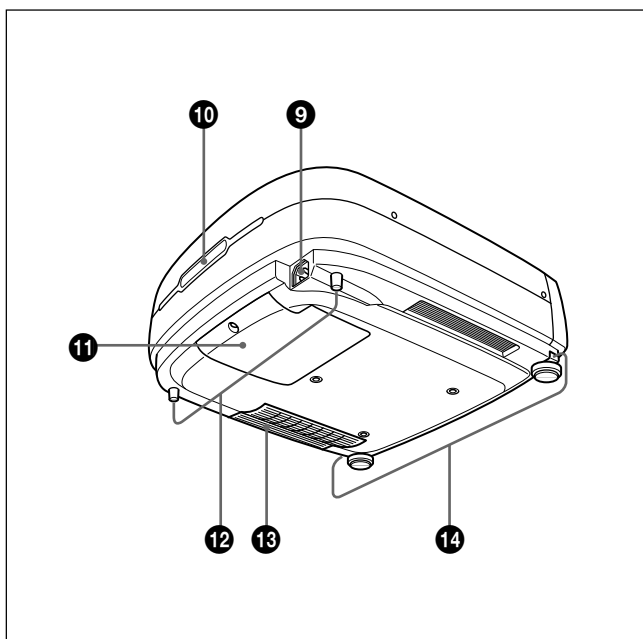
2) NTSC^{4,43} est le système couleur utilisé pour la lecture d'une source vidéo enregistrée en NSTC sur un magnétoscope NTSC^{4,43}.

Emplacement et fonction des commandes

Avant/Côté gauche



Arrière/Côté droit/Dessous



❶ Bague de zoom

Réglage de la taille de l'image.

❷ Bague de mise au point

Réglage de la mise au point de l'image.

❸ Orifices de ventilation (sortie d'air)

❹ Objectif

Retirez le bouchon de l'objectif avant la projection.

❺ Capteur de télécommande frontal (récepteur SIRCS)

❻ Supports réglables

Lorsqu'une image est projetée en dehors de l'écran, ajustez l'image à l'aide de ces supports réglables.

Pour plus de détails sur l'utilisation du support réglable, voir "Utilisation des supports réglables" à la page 9 (FR).

❼ Panneau des connecteurs

Pour plus de détails, voir "Panneau des connecteurs" à la page 11 (FR).

❽ Panneau de commande

Pour plus de détails, voir "Panneau de commande" à la page 10 (FR).

❾ Prise AC IN

Branchez-y le câble d'alimentation fourni.

❿ Capteur de télécommande arrière (récepteur SIRCS)

⓫ Couvercle de la lampe

⓬ Supports réglables arrière

⓭ Orifices de ventilation (prise d'air)/du filtre à air

A propos des orifices de ventilation

Remarques

- Ne placez rien à proximité des orifices de ventilation sous peine de provoquer une surchauffe interne. Ne placez pas vos mains sur les orifices de ventilation, vous risquez de vous brûler.
- Pour détecter précisément les saletés, réinitialisez le filtre à air la première fois que vous utilisez le projecteur et à chaque fois que vous remplacez le filtre à air.
- Pour garantir des performances optimales, **remplacez et réinitialisez le filtre à air à chaque fois qu'un message d'avertissement s'affiche.** Ce filtre à air ne peut pas être nettoyé. **Vous devez également réinitialiser le filtre à air la première fois que vous utilisez le projecteur.**

Pour plus de détails, voir "Remplacement du filtre à air!" à la page 40 (FR).

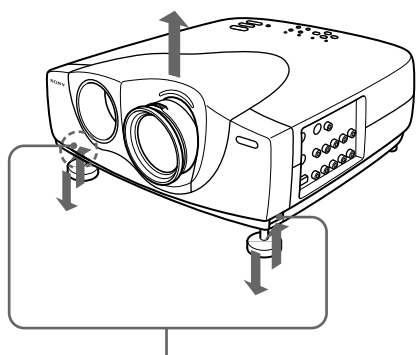
⓮ Boutons des molettes de réglage

Utilisation des supports réglables

Pour régler la hauteur

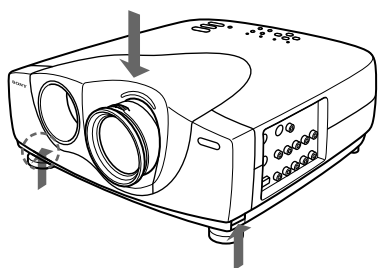
Réglez la hauteur du projecteur en procédant comme suit:

- 1 Soulevez le projecteur et appuyez sur les boutons des molettes de réglage. Les molettes de réglage ressortent du projecteur.

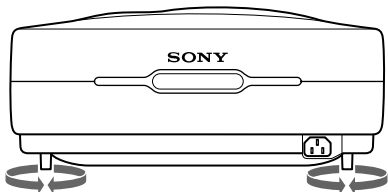


Boutons des molettes de réglage

- 2 Tout en appuyant sur les boutons, ajustez la hauteur. Relâchez ensuite les boutons. Les molettes de réglages se bloquent, fixant ainsi la hauteur du projecteur. Pour un fin réglage, tournez les molettes vers la droite ou la gauche.



- 3 Si nécessaire, tournez les molettes de réglage arrière vers la droite ou vers la gauche pour régler la hauteur du projecteur.



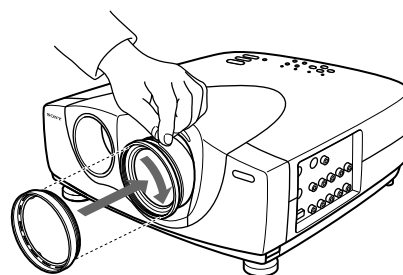
Remarques

- Veillez à ne pas laisser retomber le projecteur sur vos doigts.
- Ne poussez pas trop fort sur le dessus du projecteur lorsque les molettes de réglage sont abaissées.
- Si les supports réglables ne ressortent pas du projecteur même si vous avez appuyé sur les boutons des supports réglables, desserrez les supports réglables à la main.
- Si vous déplacez le projecteur pendant que les supports réglables sont ressortis, celles-ci peuvent être endommagées. Déplacez le projecteur uniquement après avoir rentré les supports réglables.

Utilisation du filtre cinéma fourni

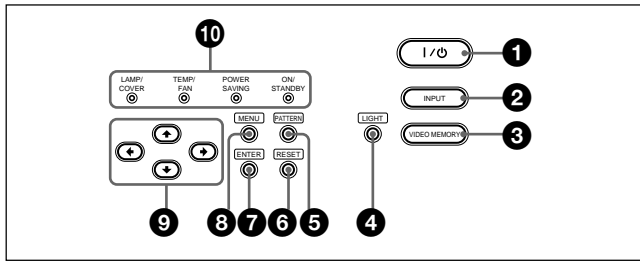
Vous pouvez régler le contraste en installant le filtre cinéma fourni comme indiqué ci-dessous:

- 1 Coupez l'alimentation et débranchez le cordon d'alimentation.
- 2 Alignez la partie filetée du filtre avec le filetage de l'objectif du projecteur comme illustré ci-dessous. Tout en maintenant en place la bague de variation de la focale, tournez le filtre dans le sens des aiguilles d'une montre.



Filtre cinéma

Panneau de commande



1 Touche I / ⏻ (marche / veille)

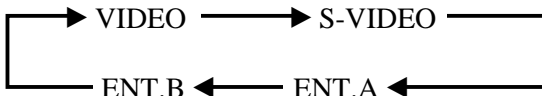
Met le projecteur sous et hors tension lorsqu'il se trouve en mode de veille. (L'indicateur ON/STANDBY s'allume en rouge lorsque le projecteur est en mode de veille.) L'indicateur ON/STANDBY s'allume en vert lorsque le projecteur est mis sous tension.

Pour mettre le projecteur hors tension, appuyez deux fois sur la touche I / ⏻ suivant le message à l'écran ou maintenez la touche enfoncée pendant environ une seconde.

Pour plus de détails sur la procédure de mise hors tension, voir "Pour mettre le projecteur hors tension" à la page 20 (FR).

2 Touche INPUT

Sélectionne le signal d'entrée. Chaque fois que vous appuyez sur cette touche, le signal d'entrée est commuté de la façon suivante:



3 Touche VIDEO MEMORY

Vous pouvez ajuster l'image au préalable et enregistrer le réglage sous MEMOIRE VIDEO 1 à 6. Vous pouvez ensuite rappeler le réglage en appuyant sur cette touche. Une pression sur cette touche sélectionne les numéros de mémoire 1 à 6. Lorsque vous maintenez cette touche enfoncée, OFF est sélectionné, puis la sélection recommence à 1. Vous pouvez facilement régler, modifier et visualiser l'image suivant un réglage approprié.

Pour plus de détails sur la façon de régler la mémoire vidéo, reportez-vous à MEMOIRE VIDEO du menu REGL ENTREE à la page 25 (FR).

4 Touche LIGHT

Si vous appuyez sur cette touche alors que le projecteur est sous tension, les touches du panneau de commande s'affichent en orange.

Appuyez de nouveau sur cette touche pour désactiver l'éclairage.

La lumière s'éteindra automatiquement si aucune touche n'est enfoncée pendant 30 secondes.

5 Touche PATTERN

Affiche le modèle de test à l'écran pour le réglage de la mise au point. Appuyez de nouveau pour supprimer le modèle de test.

6 Touche RESET

Restaure la valeur de réglage par défaut d'un paramètre. Cette touche est opérante lorsque le menu ou un paramètre de réglage est affiché à l'écran.

7 Touche ENTER

Confirme le réglage des paramètres dans le menu système.

8 Touche MENU

Affiche le menu. Appuyez de nouveau sur cette touche pour faire disparaître le menu.

9 Touches fléchées (↑/↓/←/→)

Servent à sélectionner le menu ou à effectuer différents réglages.

10 Indicateurs

LAMP/COVER: S'allume ou clignote dans les conditions suivantes:

- S'allume lorsque la lampe a atteint la fin de sa durée de vie utile ou la lampe ne s'allume pas à cause d'une température élevée de la lampe.
- Clignote lorsque le couvercle de la lampe ou le filtre à air n'est pas correctement fixé.

Pour plus de détails, reportez-vous à la section "Dépannage" à la page 42 (FR).

TEMP (température)/FAN: S'allume ou clignote dans les conditions suivantes:

- S'allume lorsque la température intérieure du projecteur devient anormalement élevée.
- Clignote lorsque le ventilateur est défectueux.

Pour plus de détails, reportez-vous à la section "Dépannage" à la page 42 (FR).

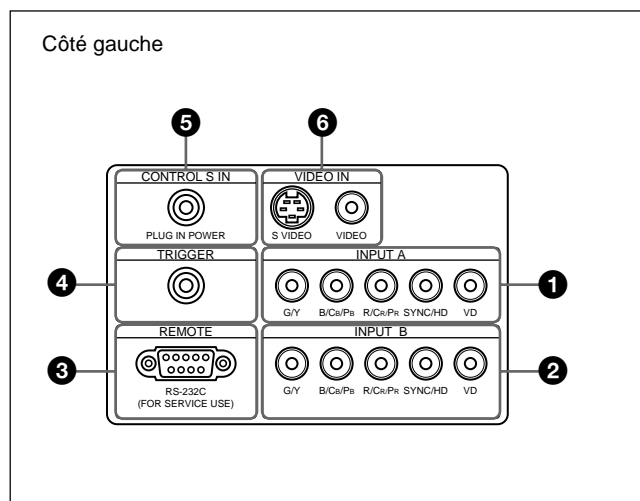
POWER SAVING: S'allume lorsque le projecteur est en mode d'économie d'énergie. Lorsque **MODE ECO** dans le menu **REGLAGE** est réglé sur **ON**, le projecteur passe en mode d'économie d'énergie si aucun signal n'est entré ou aucune touche n'a été actionnée depuis 10 minutes. Bien que le témoin s'éteigne, le ventilateur de refroidissement continue de tourner. Le mode d'économie d'énergie est désactivé dès qu'un signal est entré ou qu'une touche est actionnée. Toutefois, en mode d'économie d'énergie, aucune touche ne fonctionne pendant les 40 premières secondes.

ON/STANDBY: S'allume ou clignote dans les conditions suivantes:

- S'allume en rouge lorsque le cordon d'alimentation secteur est branché sur la prise murale. Lorsque le projecteur se trouve en mode de veille, vous pouvez le mettre sous tension avec la touche **I / ⏻**.
- S'allume en vert lorsque le projecteur est mis sous tension.
- Clignote en vert tant que le ventilateur de refroidissement tourne, après la mise hors tension avec la touche **I / ⏻**. Le ventilateur tourne pendant environ 120 secondes après la mise hors tension. L'indicateur **ON/STANDBY** clignote rapidement pendant les 40 premières secondes. Pendant ces 40 secondes, vous ne pouvez pas remettre le projecteur sous tension avec la touche **I / ⏻**.

*Pour plus de détails sur les indicateurs **LAMP/COVER** et **TEMP/FAN**, voir page 42 (FR).*

Panneau des connecteurs



1 Connecteurs INPUT A

Connecteurs G/Y, B/CB/PB, R/CR/PR, SYNC/HD, VD (type phono):

Raccordez-les à la sortie RVB de l'appareil. Suivant l'appareil raccordé, c'est le signal de l'ordinateur, composant (Y/CB/CR), HDTV ou DTV (DTV GBR, DTV YPBPR) qui est sélectionné.

2 Connecteurs INPUT B

Connecteurs G/Y, B/CB/PB, R/CR/PR, SYNC/HD, VD (type phono):

Raccordez-les à la sortie RVB de l'appareil. Suivant l'appareil raccordé, c'est le signal de l'ordinateur, composant (Y/CB/CR), HDTV ou DTV (DTV GBR, DTV YPBPR) qui est sélectionné.

3 Connecteur REMOTE (RS-232C) (D-sub à 9 broches, femelle)

C'est un connecteur de service. Lorsque l'appareil est raccordé à un ordinateur via ce connecteur, vous pouvez régler les valeurs gamma du projecteur à partir de l'ordinateur en utilisant le logiciel "ImageDirector" présent sur le CD-ROM fourni avec le projecteur. *Pour plus de détails, reportez-vous au mode d'emploi présent sur le CD-ROM fourni avec le projecteur.*

4 Connecteur TRIGGER (déclenchement) (miniprise)

Transmet la condition de marche ou d'arrêt de l'unité à l'appareil externe.

Lorsque l'appareil est hors tension, un signal de 0 V est transmis et, lorsqu'il est sous tension, c'est un signal de 12 V qui est transmis. Mais si aucune tension d'alimentation n'est transmise, vous ne pouvez pas utiliser le connecteur comme source d'alimentation.

5 Prise CONTROL S IN (PLUG IN POWER) (sortie 5 V CC) (miniprise stéréo)

Raccordez-la aux prises de sortie CONTROL S de l'appareil Sony.

Raccordez-la à la prise CONTROL S OUT de la télécommande fournie si vous l'utilisez comme une télécommande filaire. Dans ce cas, vous ne devez pas installer de piles dans la télécommande puisqu'elle est alimentée via cette prise.

Si le connecteur est utilisé, la lampe de la touche de télécommande ne s'allume pas.

6 Connecteurs VIDEO IN

Raccordez-les à un appareil vidéo externe comme un magnétoscope.

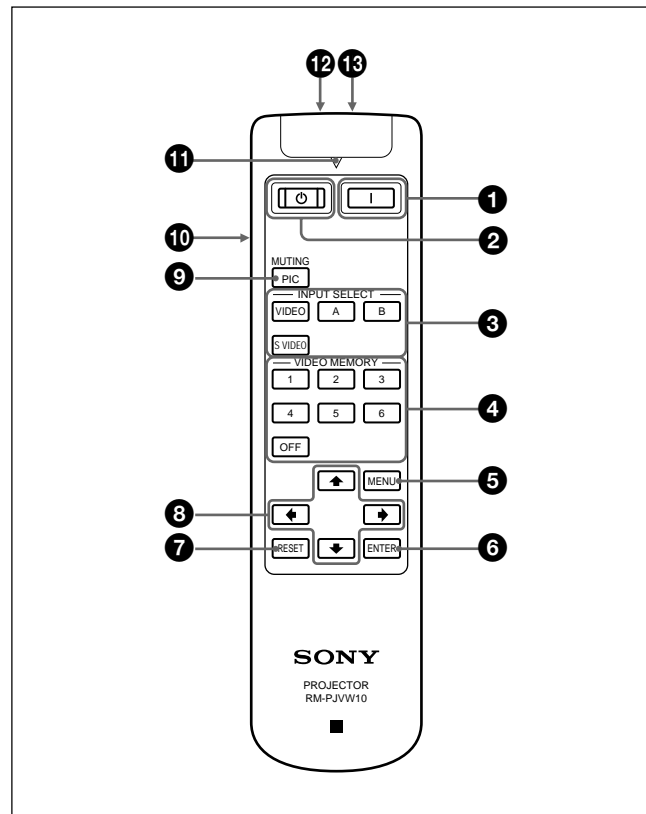
S VIDEO (miniconnecteur DIN à 4 broches):

Raccordez-le à la sortie S-vidéo (sortie vidéo Y/C) d'un appareil vidéo.

VIDEO (type phono): Raccordez-le à la sortie vidéo composite d'un appareil vidéo.

Télécommande

Les touches qui portent le même nom que sur le panneau de commande remplissent les mêmes fonctions.



1 Touche I (marche)

Appuyez sur cette touche pour mettre le projecteur sous tension. (On part du principe que le projecteur se trouve en mode de veille.)

2 Touche ⏻ (arrêt)

Appuyez sur cette touche pour mettre le projecteur immédiatement hors tension.

3 Touches INPUT SELECT

Sélectionne le signal d'entrée.

VIDEO: Sélectionne le signal de l'appareil raccordé au connecteur VIDEO du projecteur.

S VIDEO: Sélectionne le signal de l'appareil raccordé au connecteur S VIDEO du projecteur.

A: Sélectionne le signal de l'appareil raccordé aux connecteurs INPUT A.

B: Sélectionne le signal de l'appareil raccordé aux connecteurs INPUT B.

4 Touches VIDEO MEMORY

Vous pouvez enregistrer les réglages d'une image sous l'une des touches VIDEO MEMORY (1 – 6) et rappeler ensuite directement ces réglages en appuyant sur la touche appropriée.

Pour plus de détails sur la façon de régler la mémoire vidéo, reportez-vous à MEMOIRE VIDEO du menu REGL ENTREE à la page 25 (FR).

5 Touche MENU**6 Touche ENTER****7 Touche RESET****8 Touches fléchées (↑/↓/←/→)****9 Touche MUTING PIC**

Coupe l'image. Appuyez de nouveau sur cette touche pour restaurer l'image.

10 Commutateur LIGHT

Appuyez sur ce commutateur pour activer l'éclairage des touches de la télécommande. Appuyez de nouveau sur cette touche pour désactiver l'éclairage des touches. Si vous n'utilisez aucune touche, l'éclairage est automatiquement désactivé au bout de 30 secondes.

Installez les deux piles dans la télécommande pour utiliser l'éclairage des touches.

11 Indicateur de transmission

S'allume lorsque vous appuyez sur une touche de la télécommande.

12 Prise CONTROL S OUT (miniprise stéréo)

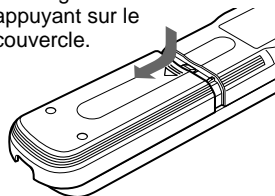
Raccordez-la à la prise CONTROL S IN du projecteur à l'aide d'un câble de connexion (non fourni) si vous utilisez la télécommande comme une télécommande filaire. Dans ce cas, vous ne devez pas installer de piles dans la télécommande puisqu'elle est alimentée via la prise CONTROL S IN du projecteur.

Si les piles ne sont pas installées, l'éclairage des touches de la télécommande n'est pas activé.

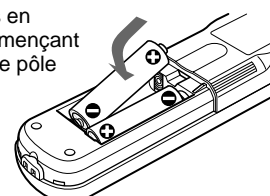
13 Transmetteur infrarouge**Installation des piles**

- 1 Appuyez sur le couvercle et faites-le glisser pour l'ouvrir, puis installez les deux piles R6 (AA) (fournies) en respectant la polarité.

Faites glisser en appuyant sur le couvercle.



Installez les piles en commençant par le pôle +.



- 2 Refermez le couvercle.

Remarques sur les piles

- Assurez-vous que les piles sont correctement orientées lorsque vous les installez.
- N'utilisez pas en même temps des piles neuves et des piles usagées, ni des piles de types différents.
- Si vous prévoyez de ne pas utiliser la télécommande pendant une période prolongée, retirez-en les piles de façon à éviter tout dommage causé par une fuite des piles. Si une pile a fuit, retirez les piles, nettoyez le compartiment à piles et remplacez les piles.

Remarques sur le fonctionnement de la télécommande

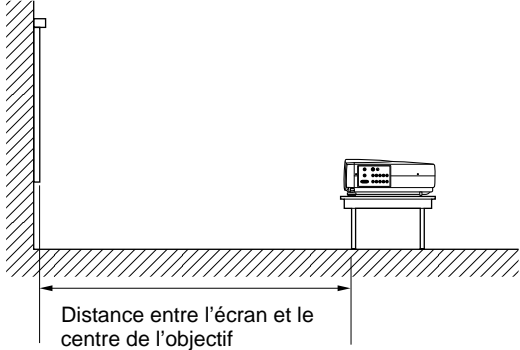
- Veillez à ce qu'aucun obstacle entre la télécommande et le projecteur n'entrave le faisceau infrarouge entre la télécommande et le capteur de télécommande du projecteur.
- La portée de commande est limitée. Plus la distance entre la télécommande et le projecteur est courte, plus le champ dans lequel la télécommande peut commander le projecteur est large.
- Pour allumer la lampe de la touche à l'aide de la télécommande filaire, installez les piles.

Remarque

Si la télécommande entraîne un problème de fonctionnement, consultez un technicien Sony qualifié. Conformément aux termes de la garantie, nous remplacerons la télécommande par une neuve.

Installation du projecteur

Cette section décrit les configurations d'installation du projecteur.



Distance entre l'écran et le centre de l'objectif

La distance entre l'objectif et l'écran varie suivant la taille de l'écran.
Utilisez le tableau suivant comme guide de référence.
(Pour obtenir plus de détails, reportez-vous à la section "Exemples d'installation" à la page 30 (FR).)

Unité: m (pieds)

16:9 taille d'écran (pouces)	40	60	80	100	120	150	200	300
Distance Minimale	1,3 (4,1)	1,9 (6,3)	2,6 (8,5)	3,3 (10,7)	3,9 (12,9)	4,9 (16,2)	6,6 (21,7)	9,9 (32,6)
Distance Maximale	1,5 (4,8)	2,2 (7,4)	3,0 (9,8)	3,8 (12,4)	4,6 (14,9)	5,7 (18,7)	7,6 (25,0)	11,5 (37,7)

4:3 taille d'écran (pouces)	40	60	80	100	120	150	200	300
Distance Minimale	1,6 (5,1)	2,4 (7,8)	3,2 (10,5)	4,0 (13,2)	4,8 (15,9)	6,1 (19,9)	8,1 (26,6)	12,2 (40,0)
Distance Maximale	1,8 (6,0)	2,8 (9,1)	3,7 (12,3)	4,7 (15,4)	5,6 (18,3)	7,0 (23,0)	9,4 (30,8)	14,1 (46,2)

Raccordement du projecteur

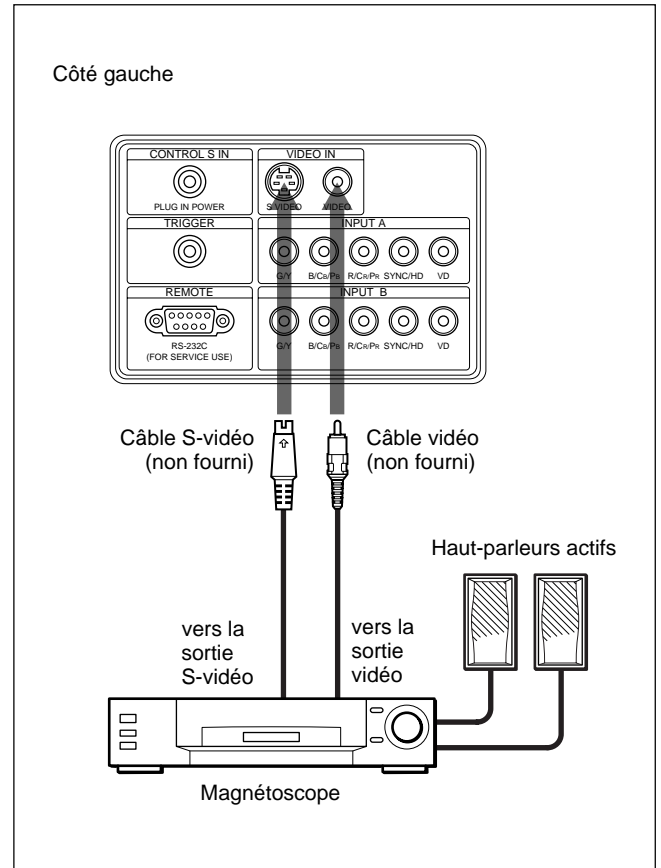
Lors de la réalisation des connexions, veuillez respecter les consignes suivantes:

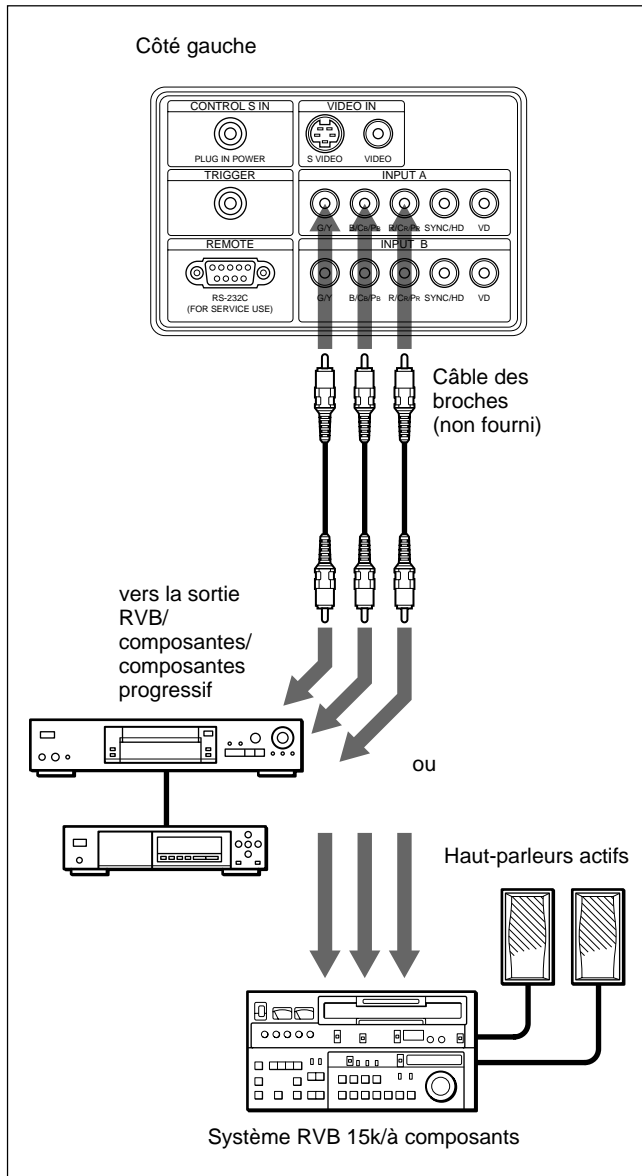
- Mettre tous les équipements hors tension avant d'effectuer quelque raccordement que ce soit;
- Utiliser les câbles adéquats pour chaque raccordement;
- Brancher correctement les fiches des câbles; les fiches mal branchées sont souvent une source de parasites. Pour débrancher un câble, saisissez-le par la fiche. Ne tirez jamais sur le câble proprement dit.

Raccordement à un magnétoscope/ système à signal RVB 15k/à composantes progressif

Cette section décrit comment raccorder le projecteur à un magnétoscope, à des haut-parleurs actifs externes ou à un système à signal RVB 15k/à composantes progressif.

Pour plus d'informations, reportez-vous au mode d'emploi de l'appareil que vous raccordez.





Raccordement à un ordinateur

Cette section vous explique comment raccorder le projecteur à un ordinateur.

(Pour obtenir d'autres informations sur les exemples de raccords, reportez-vous à la page suivante.)

Sélectionnez "ORDINATEU" dans ENT.A ou ENT.B du menu REGLAGE.

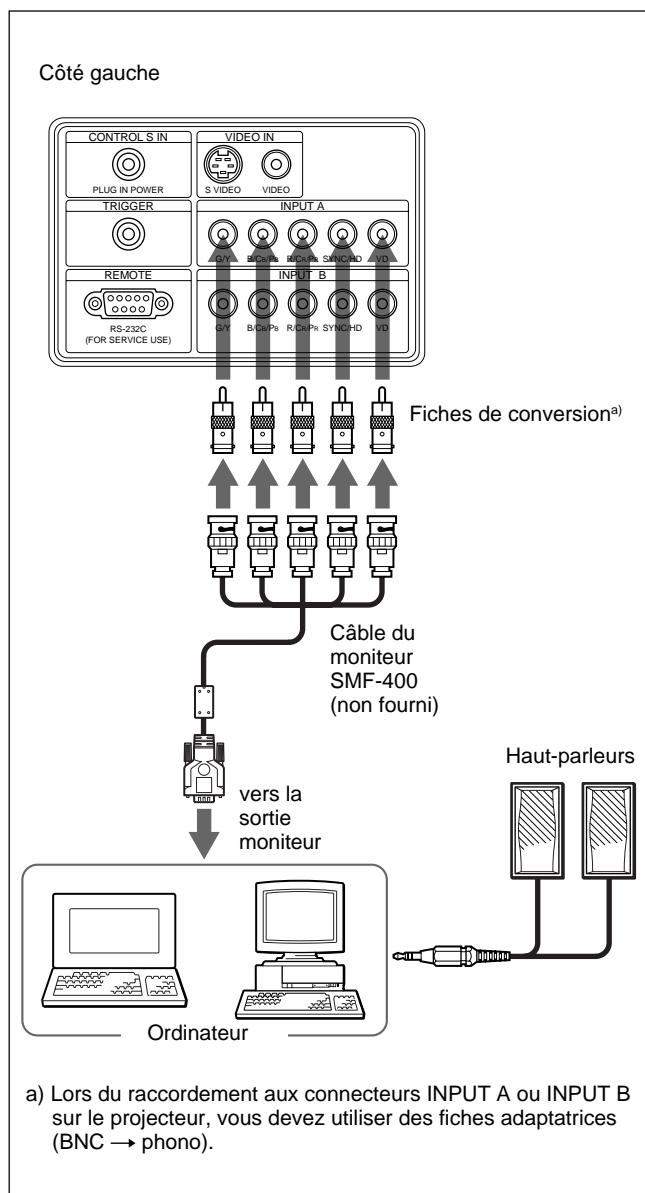
Remarques

- Le projecteur accepte les signaux VGA, SVGA, XGA et SXGA. Nous vous conseillons cependant de régler le mode de sortie de votre ordinateur sur le mode XGA pour le moniteur externe.
- Si vous réglez votre ordinateur, tel qu'un portable de type notebook, pour sortir le signal à la fois vers l'écran de votre ordinateur et le moniteur externe, il se peut que l'image n'apparaisse pas correctement sur le moniteur externe. En pareil cas, réglez votre ordinateur pour sortir le signal vers le moniteur externe uniquement.
Pour plus de détails, reportez-vous au mode d'emploi de votre ordinateur accompagnant votre ordinateur.
- Raccordez tous les câbles de connexion aux connecteurs INPUT A lorsque vous introduisez un signal via les connecteurs INPUT A. Raccordez tous les câbles aux connecteurs INPUT B lorsque vous introduisez un signal via les connecteurs INPUT B.

Remarques

- Réglez le format d'affichage sous FORMAT dans le menu REGL ENTREE en fonction du signal d'entrée.
- Pour raccorder un système à signal RVB 15k /à composantes/à composantes progressif, sélectionnez ORDINATEU/COMPOSANTS/DTV YPbPr/DTV GBR sous ENT.A ou ENT.B dans le menu REGLAGE en fonction du signal d'entrée.
Pour plus de détails sur le réglage, voir page 28 (FR).
- Vous pouvez raccorder un appareil à haute définition. La méthode de raccordement est la même que ci-dessus.

Raccordement à un ordinateur

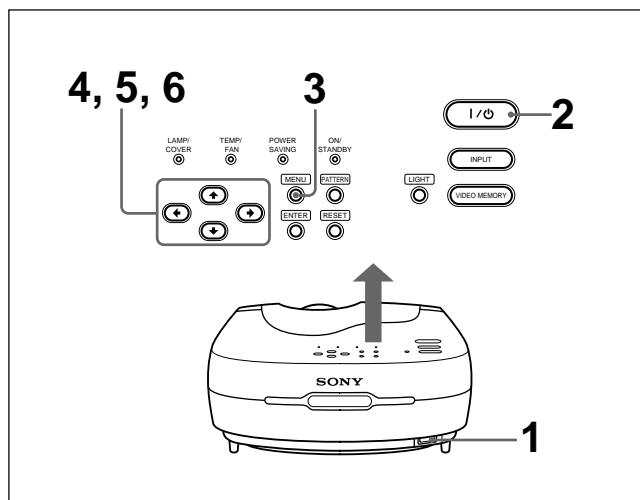


Raccordement à un ordinateur Macintosh

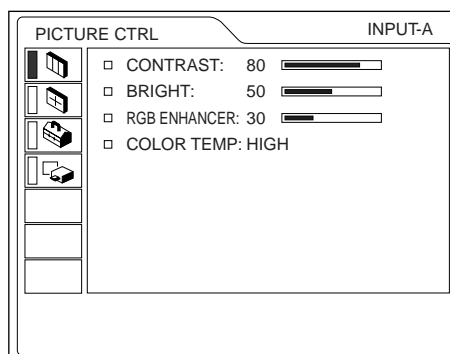
Lorsque vous raccordez un connecteur de sortie vidéo qui a une configuration de broches à deux lignes, utilisez l'adaptateur approprié pour ce type de connecteur (non fourni).

Sélection de la langue d'affichage des menus

Vous pouvez sélectionner la langue d'affichage des menus et autres indications à l'écran. Le réglage par défaut est ENGLISH.

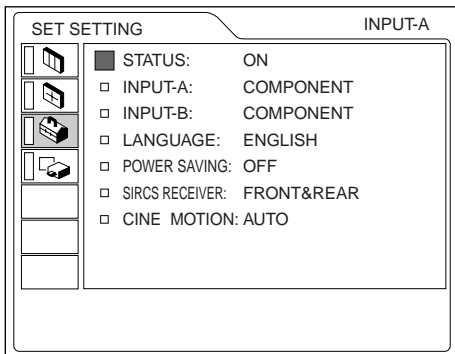


- 1** Branchez le câble d'alimentation sur une prise murale (secteur).
- 2** Appuyez sur la touche I / ⏻ pour mettre le projecteur sous tension.
- 3** Appuyez sur la touche MENU. L'écran de menu apparaît.

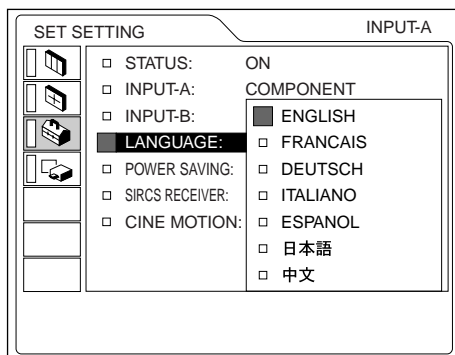


- 4** Sélectionnez l'icône du menu SET SETTING (REGLAGE), la troisième, à l'aide de la touche ↑ ou ↓ et appuyez ensuite sur la touche → ou ENTER.

Le menu SET SETTING apparaît.



- 5** Sélectionnez "LANGUAGE" (LANGAGE) à l'aide de la touche ↑ ou ↓ et appuyez ensuite sur la touche → ou ENTER.



- 6** Sélectionnez la langue de votre choix à l'aide de la touche ↑ ou ↓ et appuyez ensuite sur la touche ← ou ENTER.

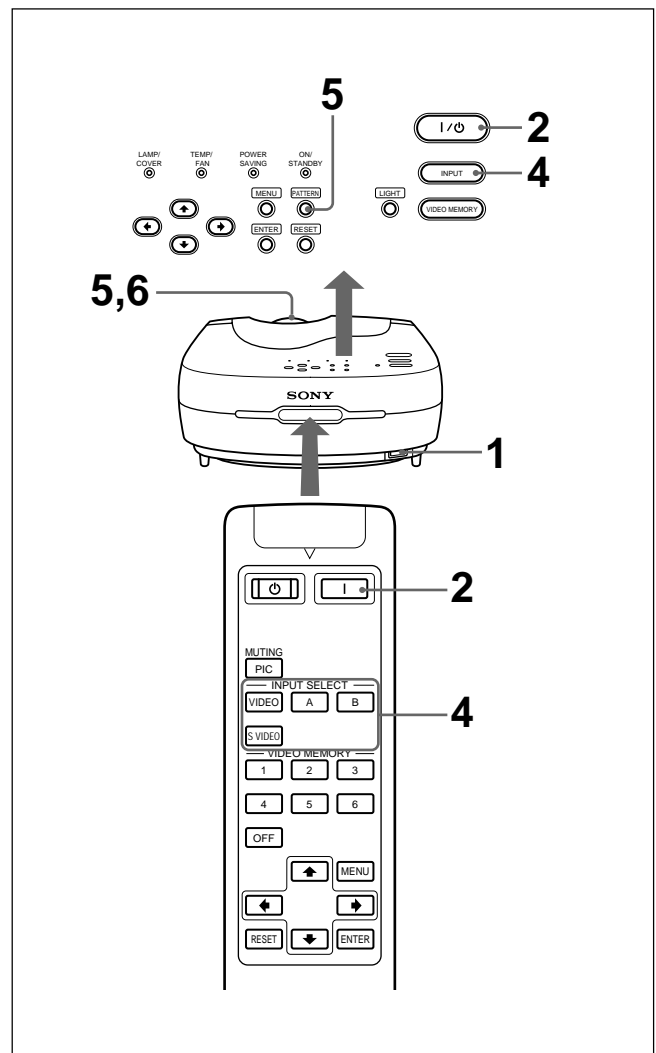
Le menu s'affiche dans la langue sélectionnée.

Pour désactiver l'écran de menu

Appuyez sur la touche MENU.

L'écran de menu disparaît automatiquement si vous n'appuyez sur aucune touche pendant une minute.

Projection



- 1** Lorsque tous les appareils ont été correctement raccordés, branchez le câble d'alimentation sur une prise murale (secteur). L'indicateur ON/STANDBY s'allume en rouge et le projecteur passe en mode de veille.
- 2** Appuyez sur la touche I / ⏻ du panneau de commande ou sur la touche I de la télécommande. L'indicateur ON/STANDBY s'allume en vert.
- 3** Mettez sous tension l'appareil raccordé au projecteur.

(suite)

- 4** Appuyez sur la touche INPUT pour sélectionner la source d'entrée.

ENT.A:	Sélectionne l'entrée du signal vidéo du connecteur INPUT A, comme l'équipement composante.
ENT.B:	Sélectionne l'entrée du signal vidéo du connecteur INPUT B, comme l'équipement composante.
VIDEO:	Sélectionne les signaux vidéo entrés via la prise VIDEO (VIDEO IN).
S-VIDEO:	Sélectionne les signaux vidéo entrés via la prise S VIDEO (VIDEO IN).

- 5** Appuyez sur la touche PATTERN du panneau de commande pour afficher la mire de test et tournez la bague de mise au point pour régler la mise au point.
Appuyez de nouveau sur la touche PATTERN pour supprimer le modèle de test.

- 6** Tournez la bague de zoom pour ajuster la taille de l'image.

Remarque

Ne regardez pas vers l'objectif en cours de projection car vous risquez de vous blesser les yeux.

Pour couper l'image

Appuyez sur la touche MUTING PIC de la télécommande. Pour restaurer l'image, appuyez une nouvelle fois sur la touche MUTING PIC.

Scintillement de l'image à l'écran

Exceptionnellement, il peut arriver que les images projetées à l'écran scintillent lorsque vous utilisez le projecteur en réglant l'option CINEMA NOIR du menu REGL. INSTAL. sur ON. Si cela se produit, réglez CINEMA NOIR sur OFF et fermez une fois l'écran de menu, puis affichez de nouveau le menu REGL. INSTAL. et réglez CINEMA NOIR sur ON.
Pour plus de détails sur le menu REGL. INSTAL., reportez-vous à la page 29 (FR).

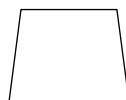
Exceptionnellement, il peut arriver que l'image à l'écran scintille jusqu'à ce que la lampe du projecteur ait atteint sa température de fonctionnement normal (le réchauffement prend environ 20 minutes à partir de la mise sous tension de l'appareil). Ceci ne signalant pas un problème de fonctionnement, continuez à utiliser l'appareil normalement.

Pour corriger la distorsion en trapèze

Lorsque l'image projetée présente une forme trapézoïdale, modifiez la position ou la hauteur du projecteur en ajustant les supports réglables.
Pour plus de détails sur la façon d'utiliser les supports réglables, reportez-vous à la section "Utilisation des supports réglables" à la page 9 (FR).

Si l'image est toujours de forme trapézoïdale, corrigez-la sous TRAPEZE NUMER dans le menu REGL. INSTAL.

Si la base est plus longue que le bord supérieur comme illustré dans la figure ci-dessous:



Réglez une valeur négative.

Si le bord supérieur est plus long que la base comme illustré dans la figure ci-dessous:



Réglez une valeur positive.

Remarque

Si "ZOOM", "PLEIN" ou "NORMAL" a été sélectionné sous FORMAT dans le menu REGL. ENTREE, vous ne pouvez pas modifier la forme trapézoïdale. Pour plus de détails, reportez-vous au tableau de la page 25 (FR).

Pour plus de détails sur les types de signaux pour lesquels le réglage FORMAT peut être modifié, reportez-vous au tableau de la page 26 (FR).

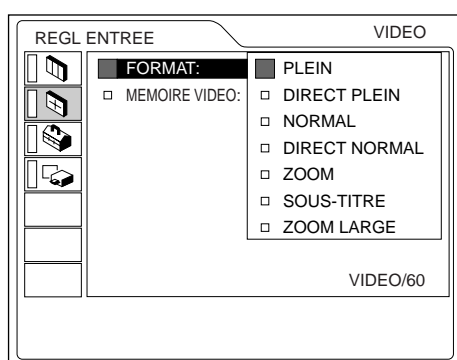
Pour plus de détails concernant "TRAPEZE NUMER", voir page 29 (FR).

Changement du format

Vous pouvez changer le format en fonction du signal vidéo.

Pour plus de détails sur l'exploitation des menus d'affichage, voir "Utilisation du menu" à la page 21 (FR).

- 1 Appuyez sur la touche MENU.
Le menu s'affiche.
- 2 Appuyez sur la touche ↑ ou ↓ pour sélectionner le menu REGL ENTREE et appuyez ensuite sur la touche → ou sur ENTER.
- 3 Appuyez sur la touche ↑ ou ↓ pour sélectionner FORMAT et appuyez ensuite sur la touche → ou sur ENTER.



- 4 Procédez au réglage ou à l'ajustement d'un paramètre.

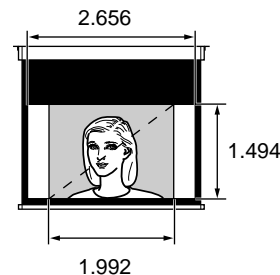
Pour plus de détails sur le réglage des différents paramètres, voir page 24 (FR).

La taille de l'image pour la taille de l'écran

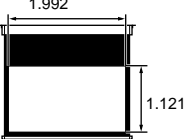

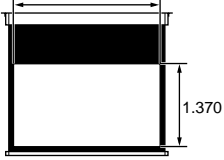

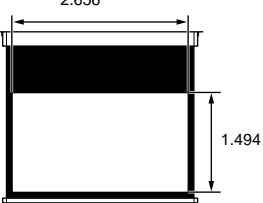

Reportez-vous aux indications suivantes pour la sélection du format.

Si une image 4:3 est affichée sur un écran 16:9e

Exemple: Vous utilisez un écran de 120 pouces.

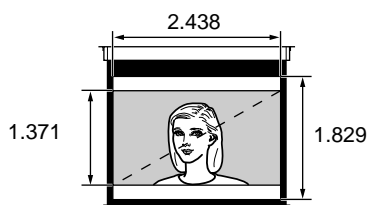


Une image de 98 pouces est affichée

Taille (pouces)	Ecran 16:9e		Image 4:3	
	Unité (mm)	Unité (mm)	Unité (mm)	Taille (pouces)
90	1.992 	1.494 	1.121	73
110	2.435 	1.826 	1.370	90
120	2.656 	1.992 	1.494	98

Si une image 16:9e est affichée sur un écran 4:3

Exemple: Vous utilisez un écran de 120 pouces.



Une image de 110 pouces est affichée.

Ecran 4:3		Image 16:9e	
Taille (pouces)	Unité (mm)	Unité (mm)	Taille (pouces)
80			73
100			91
120			110

Remarques sur le changement de format

Ce projecteur vous propose différents formats. Lorsque vous changez de format, conformez-vous aux précautions suivantes:

- Sélectionnez un format en tenant compte du fait que si ce format est différent du format original de l'image, l'image se présentera différemment de l'image originale.
- Ne perdez pas non plus de vue que, si le projecteur est utilisé à des fins lucratives ou pour des représentations publiques, la modification de l'image originale résultant d'un changement du format d'affichage peut constituer une violation des droits d'auteur ou des droits des producteurs qui sont légalement protégés.

Pour mettre le projecteur hors tension

Pour mettre le projecteur hors tension depuis le panneau de commande.

- 1 Appuyez sur la touche I / ⏻ du panneau de commande.
“METTRE HORS TENSION ?” apparaît sur l'écran.

Remarque

Le message disparaît si vous appuyez sur une touche quelconque à l'exception de la touche I / ⏻, ou si vous n'appuyez sur aucune touche pendant cinq secondes.

- 2 Ré-appuyez sur la touche I / ⏻.
L'indicateur ON/STANDBY clignote en vert et le ventilateur continue à tourner pendant environ 120 secondes pour réduire la chaleur interne de l'appareil. De plus, l'indicateur ON/STANDBY clignote rapidement pendant les 40 premières secondes. Pendant ces 40 secondes, vous ne pouvez pas remettre le projecteur sous tension avec la touche I / ⏻.
- 3 Débranchez le câble d'alimentation de la prise murale après que le ventilateur s'est arrêté de tourner et l'indicateur ON/STANDBY s'allume en rouge.

Si vous ne pouvez pas confirmer le message à l'écran

Si vous ne pouvez vérifier le message à l'écran d'aucune façon, vous pouvez mettre le projecteur hors tension en maintenant la touche I / ⏻ enfoncée pendant environ une seconde.

Pour mettre le projecteur hors tension à l'aide de la télécommande.

- 1 Appuyez sur la touche ⏻ de la télécommande.
- 2 Débranchez le câble d'alimentation de la prise murale après que le ventilateur s'est arrêté de tourner et l'indicateur ON/STANDBY s'allume en rouge.

Remarque

Ne débranchez pas le câble d'alimentation secteur pendant que le ventilateur tourne. Sinon, le ventilateur cesse de tourner même si la température interne est toujours élevée, ce qui peut entraîner une panne du projecteur!

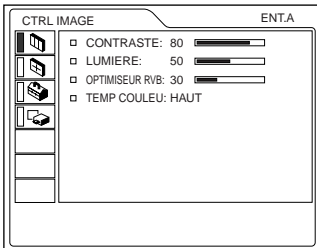
Utilisation du menu

Ce projecteur est doté d'une fonction d'écran de menu permettant de réaliser différents ajustements et réglages.

Vous pouvez sélectionner la langue d'affichage du menu.

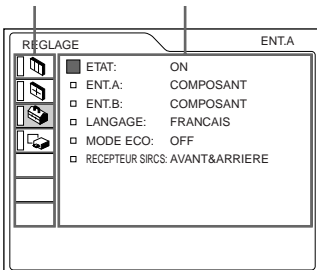
Pour plus de détails sur la sélection de la langue d'affichage du menu, voir page 16 (FR).

- 1 Appuyez sur la touche MENU.
L'écran de menu apparaît.
Le menu actuellement sélectionné est illustré comme bouton jaune.



- 2 Utilisez la touche ↑ ou ↓ pour sélectionner un menu et appuyez ensuite sur la touche → ou ENTER.
Le menu sélectionné apparaît.

Menus Paramètres de réglages



- 3 Sélectionnez un paramètre.
Utilisez la touche ↑ ou ↓ pour sélectionner un paramètre et appuyez ensuite sur la touche → ou sur ENTER.
- 4 Réglage d'un paramètre.
 - Pour changer le niveau de réglage:
Pour augmenter la valeur de réglage, appuyez sur la touche ↑ ou →.
Pour diminuer la valeur de réglage, appuyez sur la touche ↓ ou ←.
Appuyez sur la touche ENTER pour revenir à l'écran de départ.

- Pour modifier le réglage:
Appuyez sur la touche ↑ ou ↓ pour changer le réglage.
Appuyez sur la touche ENTER ou ← pour revenir à l'écran de départ.

Pour plus de détails sur le réglage des différents paramètres, reportez-vous aux pages de menu correspondantes.

Pour désactiver l'écran de menu

Appuyez sur la touche MENU.

L'écran de menu disparaît automatiquement si vous n'appuyez sur aucune touche pendant une minute.

Pour restaurer des paramètres que vous venez de modifier

Appuyez sur la touche RESET.

“Effectué!” apparaît à l'écran et les réglages à l'écran sont restaurés aux valeurs par défaut.

Les paramètres pouvant être réinitialisés sont les suivants:

- “CONTRASTE”, “LUMIERE”, “COULEUR”, “TEINTE”, “NETTETE” et “OPTIMISEUR RVB” dans le menu CTRL IMAGE.
- “PHASE”, “AMPL H”, “DEPL.”, “DEFILEMENT V” et “AIRE TITRE” dans le menu REGL ENTREE.
- “TRAPEZE NUMER” dans le menu REGL. INSTAL..

A propos de la mémoire de réglages

Les réglages sont automatiquement enregistrés dans la mémoire du projecteur.

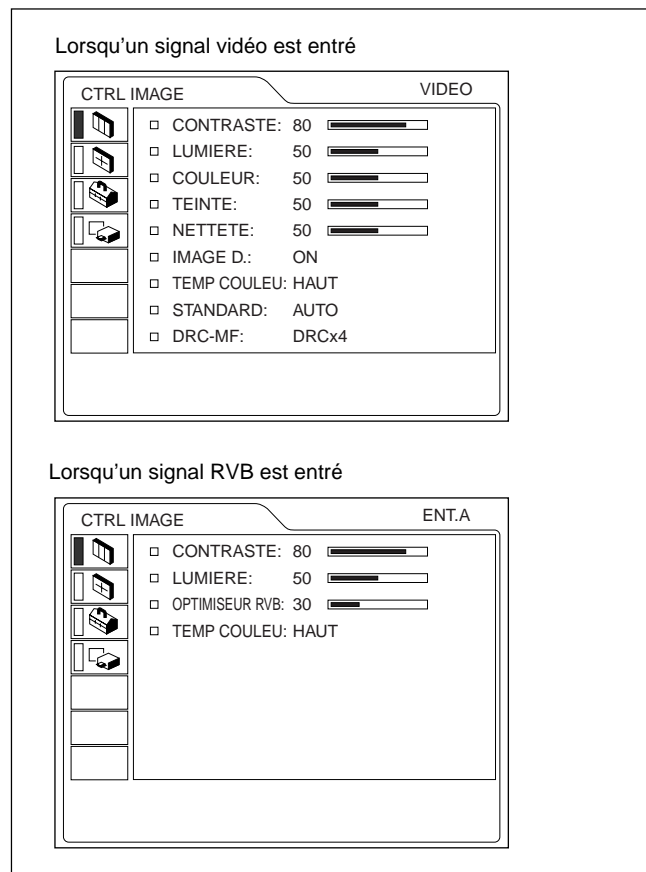
Si aucun signal n'est entré

Lorsqu'il n'y a pas de signal d'entrée, le message “PAS D'ENTREE-Reglage impossible.” apparaît à l'écran et aucun paramètre ne peut être ajusté.

Le menu CTRL IMAGE

Le menu CTRL (contrôle) IMAGE sert à régler l'image.

Les paramètres ne pouvant pas être réglés pour un signal d'entrée particulier ne sont pas affichés dans le menu correspondant.



CONTRASTE

Ajuste le contraste de l'image.

Plus la valeur de réglage est élevée, plus le contraste est important.

Plus la valeur de réglage est faible, plus le contraste est faible.

LUMIERE

Ajuste la luminosité de l'image.

Plus la valeur de réglage est élevée, plus l'image est lumineuse.

Plus la valeur de réglage est faible, plus l'image est foncée.

COULEUR

Ajuste l'intensité des couleurs.

Plus la valeur de réglage est élevée, plus les couleurs sont intenses.

Plus la valeur de réglage est faible, plus l'intensité des couleurs est faible.

TEINTE

Ajuste la teinte des couleurs.

Plus la valeur de réglage est élevée, plus l'image prend une teinte verdâtre.

Plus la valeur de réglage est faible, plus l'image prend une teinte rougeâtre.

NETTETE

Ajuste la netteté de l'image.

Plus la valeur de réglage est élevée, plus l'image est nette.

Plus la valeur de réglage est faible, plus les contours de l'image sont adoucis.

OPTIMISEUR RVB

Ajuste la netteté de l'image lorsque des signaux informatiques sont entrés.

Plus la valeur de réglage est élevée, plus l'image est nette.

Plus la valeur de réglage est faible, plus les contours de l'image sont adoucis.

IMAGE D. (dynamique)

Renforce la couleur noire.

ON: Renforce le noir pour produire une image plus "dynamique".

OFF: Restitue fidèlement les zones noires de l'image conformément au signal source.

TEMP COULEU

Ajuste la température des couleurs.

HAUT: Rend les blancs plus bleuâtres.

BAS: Rend les blancs plus rougeâtres.

STANDARD (Système couleur)

Sélectionne le système couleur du signal d'entrée.

AUTO: Sélectionne automatiquement l'un des signaux suivants: NTSC_{3.58}, PAL, SECAM, NTSC_{4.43}.

PAL-M/N: Sélectionne automatiquement l'un des signaux suivants: PAL-M/PAL-N, NTSC_{3.58}.

En principe, réglez-le sur AUTO.

Si l'image présente des distorsions ou manque de couleurs, sélectionnez le système couleur correspondant au signal d'entrée.

DRC-MF

Adoucit les contours d'une image vidéo de grand format.

DRC x 4: Double le nombre de lignes de balayage du signal vidéo et le nombre de pixels horizontaux, ce qui produit un quadruplement de la qualité de l'image.

DRC PROGRESSIVE: Affiche une ligne claire ou des caractères sans scintillement de ligne.

Signaux d'entrée et paramètres de réglage

Paramètre	Signal d'entrée				
	Vidéo ou S-vidéo (Y/C)	Composante/RVB 15 k	Composantes progressif/HDTV/DTV	RVB ¹⁾	N&B
CONTRASTE	●	●	●	●	●
LUMIERE	●	●	●	●	●
COULEUR	●	●	●	-	-
TEINTE	● (NTSC3.58/ 4.43 uniquement)	●	●	-	-
NETTETE	●	●	●	-	●
OPTIMISEUR RVB	-	-	-	●	-
IMAGE D.	●	●	-	-	●
TEMP COULEU	●	●	●	●	●
STANDARD	●	-	-	-	●
DRC-MF	●	●	-	-	●

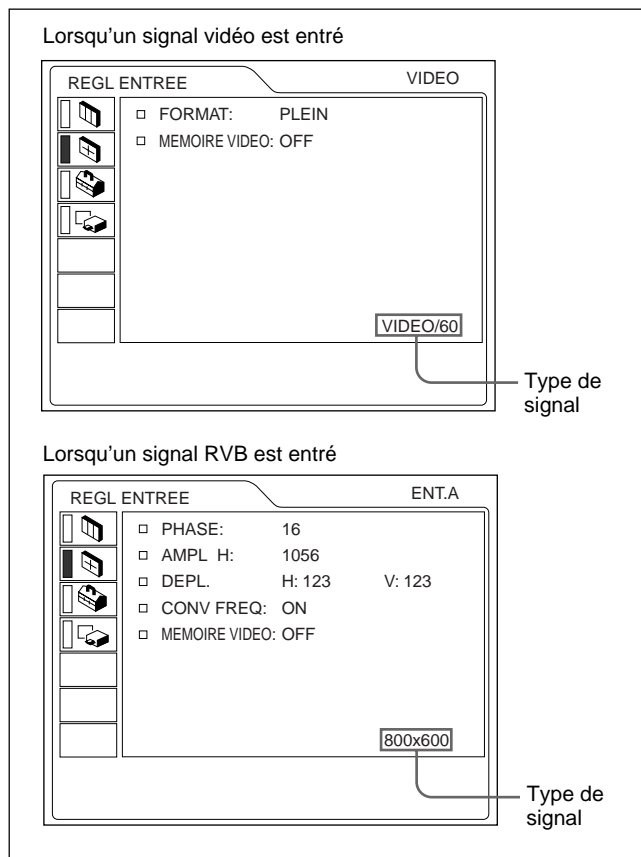
● : Ajustable/peut être réglé

- : Non ajustable/ne peut être réglé

Le menu REGL ENTREE

Le menu REGL ENTREE est utilisé pour ajuster le signal d'entrée.

Les paramètres ne pouvant pas être réglés pour un signal d'entrée particulier ne sont pas affichés dans le menu correspondant.



PHASE

Permet de régler la phase de points du panneau LCD et l'entrée du signal de l'ordinateur provenant du connecteur INPUT A/B.

Ajustez l'image jusqu'à ce qu'elle soit la plus nette possible.

AMPL H

Réglage de la taille horizontale de l'image entrée via les connecteurs INPUT A/B.

Plus la valeur de réglage est élevée, plus la taille horizontale de l'image est grande. Plus la valeur de réglage est basse, plus la taille horizontale de l'image est réduite. Ajuste le réglage en fonction des points du signal d'entrée. Pour plus de détails sur la valeur adéquate pour les signaux présélectionnés, voir page 26 (FR).

1) Les signaux RVB d'un ordinateur

DEPL.

Réglage de la position de l'image entrée via les connecteurs INPUT A/B.

H règle la position horizontale de l'image.

V règle la position verticale de l'image.

Plus la valeur de H augmente, plus l'image se déplace vers la droite, et plus elle diminue, plus l'image se déplace vers la gauche.

Plus la valeur de V augmente, plus l'image se déplace vers le haut, et plus elle diminue, plus l'image se déplace vers le bas.

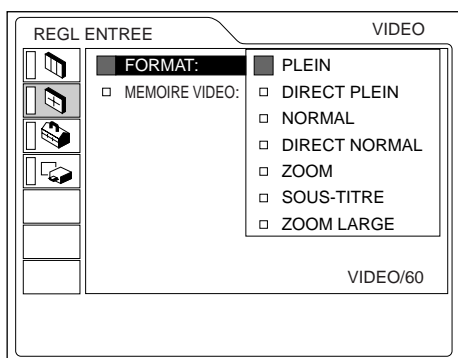
Pour régler la position horizontale, utilisez la touche ← ou → ; pour régler la position verticale, utilisez la touche ↑ ou ↓.

FORMAT

Réglage du format de l'image:

4:3 NORMAL, DIRECT NORMAL

16:9 PLEIN, DIRECT PLEIN, ZOOM, SOUS-TITRE, ZOOM LARGE



PLEIN: L'image comprimée 16:9 est affichée dans le format correct. L'image 4:3 est élargie horizontalement.



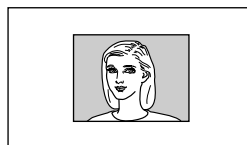
DIRECT PLEIN: La mappe univoque est exécutée sur une image 16:9 comprimée. L'image est affichée au centre de l'écran.



NORMAL: Une image au format 4:3 normal est affichée.



DIRECT NORMAL: La mappe univoque est exécutée sur une image 4:3 normale. L'image est affichée au centre de l'écran.



ZOOM: L'image 4:3 normale est agrandie verticalement et horizontalement (suivant le même taux) au format de l'écran. Ce mode est idéal pour l'affichage plein écran des films en mode grand écran.



SOUS-TITRE: La zone des sous-titres est comprimée. Ce mode laisse les sous-titres dans la partie inférieure de l'écran.



ZOOM LARGE: L'image 4:3 normale est agrandie et les parties supérieure et inférieure de l'image sont comprimées. Ce mode est idéal pour les programmes généraux tels que les informations et les spectacles de variétés.



Remarque

Vous ne pouvez pas changer le mode d'image pendant que le projecteur est en train de projeter une image à haute définition ou un signal DTV.

Ces éléments ajustables/non ajustables dépendent du réglage de rapport d'écran

Paramètres	DEFILEMENT V	AIRE TITRE	TRAPEZE NUMER
PLEIN	–	–	●
DIRECT PLEIN	–	–	–
NORMAL	–	–	●
DIRECT NORMAL	–	–	–
ZOOM	●	–	●
SOUS-TITRE	●	●	–
ZOOM LARGE	–	–	–

● : Ajustable – : Non ajustable

CONV FREQ (convertisseur de fréquence)

Convertit le signal pour afficher l'image en fonction de la taille de l'écran.

ON: Agrandit l'image en fonction de la taille de l'écran. L'image perd cependant un peu de clarté.

OFF: Affiche l'image en faisant correspondre un pixel d'élément d'image entré à un pixel de l'écran LCD. L'image affichée est claire, mais d'une taille inférieure.

Remarque

Cet élément ne sera pas affiché si vous entrez un signal XGA ou SXGA.

DEFILEMENT V

Règle la position verticale de l'image.

La plage de réglage est comprise entre 0 et +7. Plus la valeur augmente, plus l'image se déplace vers le haut, et plus elle diminue, plus l'image se déplace vers le bas. Pour ramener l'image à sa position normale, appuyez sur la touche RESET.

AIRE TITRE

Ajuste l'aire du titre.

La plage de réglage va de 0 à +7. Au fur et à mesure que le réglage augmente, la zone de sous-titres s'élargit et au fur et à mesure que le réglage diminue, la zone de sous-titres rétrécit. Pour restaurer la zone à sa taille par défaut, appuyez sur la touche RESET.

Remarque

Bien que la plage réglable affichée soit comprise entre 0 et +7, la plage réelle peut être limitée en raison du réglage de DEFILEMENT V.

MEMOIRE VIDEO

Affiche le numéro de la mémoire vidéo sélectionnée. Il y a 6 mémoires de réglage. Si vous sélectionnez OFF, l'image est affichée suivant les réglages enregistrés dans chaque mémoire de canal.

Réglage de la MEMOIRE VIDEO

Utilisation de la télécommande

- Appuyez sur le numéro désiré (1 – 6) des touches VIDEO MEMORY.
Le numéro de mémoire sélectionné s'affiche dans le menu.
- Dans le menu approprié, sélectionnez un paramètre à régler et ajustez la valeur de réglage à l'aide des touches **↑**, **↓**, **←** et **→**.
- Appuyez sur la touche **←** ou ENTER.
Le paramètre (réglage) ajusté est introduit dans la mémoire sélectionnée. L'affichage revient à l'écran précédent.

Utilisation du panneau de commande

- Sélectionnez un numéro de MEMOIRE VIDEO (1 – 6) en appuyant sur la touche VIDEO MEMORY. (Vous pouvez également régler le MEMOIRE VIDEO à l'aide du menu.)
- Dans le menu approprié, sélectionnez un paramètre à régler et ajustez la valeur de réglage à l'aide des touches **↑**, **↓**, **←** et **→**.
- Appuyez sur la touche **←** ou ENTER.
Le paramètre (réglage) ajusté est introduit dans la mémoire sélectionnée. L'affichage revient à l'écran précédent.

Signaux d'entrée et paramètres de réglage

Paramètre	Signal d'entrée				
	Vidéo ou S-VIDEO (Y/C)	RVB 15k/ Composantes progressif	HDTV/ DTV	RVB ¹⁾	N&B
PHASE	–	–	●	●	–
AMPL H	–	●	●	●	–
DEPL.	–	●	●	●	–
FORMAT	●	●	–	–	●
CONV FREQ	–	–	–	● (inférieur à SVGA uniquement)	–
DEFILEMENT V	○	○	–	–	○
AIRE TITRE	○	○	–	–	○
MEMOIRE VIDEO	●	●	●	●	●

● : Ajustable/peut être réglé

– : Non ajustable/ne peut être réglé

○ : Paramètre dépendant du format

A propos du mémoire présélectionné

Ce projecteur est doté de 45 types de données présélectionnées pour les signaux d'entrée (la mémoire de présélection). Lorsqu'un signal présélectionné est entré, ce projecteur détecte automatiquement le type du signal. Lorsque le signal est enregistré dans la mémoire de présélection, une image adéquate s'affiche à l'écran en fonction du type de signal. Le type du signal d'entrée s'affiche dans le menu REGL ENTREE. Vous pouvez ajuster les données présélectionnées à l'aide du menu REGL ENTREE.

Ce projecteur est également doté de 20 emplacements mémoire utilisateur pour chaque entrée ENT. A/B. Vous pouvez enregistrer un nouveau type de signal lorsqu'il n'apparaît pas dans les types de signaux présélectionnés. Lorsqu'un signal non présélectionné est saisi pour la première fois, le réglage effectué via ENT. A/B dans le menu REGL ENTREE est enregistré. Lorsque plus de 20 éléments de mémoire utilisateur ont été enregistrés pour une entrée ENT A/B, l'élément le plus récent remplace automatiquement le plus ancien.

Signaux présélectionnés

N° de mémoire	Signal présélectionné	fH (kHz)	fV (Hz)	Synchro-nisation	AMPL H	
1	Vidéo 60 Hz	15,734	59,940	H-nég V-nég	1050	
2	Vidéo 50 Hz	15,625	50,000	H-nég V-nég	1072	
3	RVB15k/Composant 60 Hz	15,734	59,940	S sur V/Y ou synchro composite	1050	
4	RVB15k/Composant 50 Hz	15,625	50,000	S sur V/Y ou synchro composite/vidéo composite	1072	
5	HDTV(1080/60i)	33,750	60,000	S sur V/Y ou synchro composite	2200	
6	640 × 350	VGA mode 1	31,469	70,086	H-pos V-nég	800
7		VGA VESA 85 Hz	37,861	85,080	H-pos V-nég	832
8	640 × 400	PC-9801 Normal	24,823	56,416	H-nég V-nég	848
9		VGA mode 2	31,469	70,086	H-nég V-pos	800
10		VGA VESA 85 Hz	37,861	85,080	H-nég V-pos	832
11	640 × 480	VGA mode 3	31,469	59,940	H-nég V-nég	800
12		Macintosh 13"	35,000	66,667	S sur V	864
13		VGA VESA 72 Hz	37,861	72,809	H-nég V-nég	832
14		VGA VESA 75 Hz	37,500	75,000	H-nég V-nég	840
15		VGA VESA 85 Hz	43,269	85,008	H-nég V-nég	832
16	800 × 600	SVGA VESA 56 Hz	35,156	56,250	H-pos V-pos	1024
17		SVGA VESA 60 Hz	37,879	60,317	H-pos V-pos	1056
18		SVGA VESA 72 Hz	48,077	72,188	H-pos V-pos	1040
19		SVGA VESA 75 Hz	46,875	75,000	H-pos V-pos	1056
20		SVGA VESA 85 Hz	53,674	85,061	H-pos V-pos	1048
21	832 × 624	Macintosh 16"	49,724	74,550	H-nég V-nég	1152
22	1024 × 768	XGA VESA 43 Hz	35,524	43,479	H-pos V-pos	1264
23		XGA VESA 60 Hz	48,363	60,004	H-nég V-nég	1344
24		XGA VESA 70 Hz	56,476	69,955	H-nég V-nég	1328
25		XGA VESA 75 Hz	60,023	75,029	H-pos V-pos	1312
26		XGA VESA 85 Hz	68,677	84,997	H-pos V-pos	1376
27		1152 × 864	SXGA VESA 70 Hz	63,995	70,019	H-pos V-pos
28	SXGA VESA 75 Hz		67,500	75,000	H-pos V-pos	1600
29	SXGA VESA 85 Hz		77,487	85,057	H-pos V-pos	1568
30	1152 × 900	Sunmicro LO	61,795	65,960	H-nég V-nég	1504
31		Sunmicro HI	71,713	76,047	C-nég	1472
32	1280 × 960	SXGA VESA 60 Hz	60,000	60,000	H-pos V-pos	1800
33		SXGA VESA 75 Hz	75,000	75,000	H-pos V-pos	1728
34	1280 × 1024	SXGA VESA 43 Hz	46,433	43,436	H-pos V-pos	1696
35		SXI-5	53,316	50,062	S sur V	1680
36		SXGA VESA 60 Hz	63,974	60,013	H-pos V-pos	1696
37		SXGA VESA 75 Hz	79,976	75,025	H-pos V-pos	1688

1) Les signaux RVB d'un ordinateur

43	480/60p	480/60p (Composantes progressif)	31,470	60,000	S sur V/Y ou synchro composite	1050	
44	575/50p	575/50p (Composantes progressif)	31,250	50,000		1072	
45	1080/50i	1080/50i	28,130	50,000		2640	
47	720/60p	720/60p	45,000	60,000		1650	
48	720/50p	720/50p	37,500	50,000		1980	
49 ¹⁾	1080/24PsF	1080/24PsF	27,000	48,000		2750	
50	HDTV	540/60p	33,750	60,000		H-pos V-pos	2200
51	1366 x 768	16:9 RGB	45,000	56,000		H-nég V-nég	1766

Etant donné que les données sont rappelées à partir de la mémoire de présélection pour les signaux suivants, vous pouvez utiliser ces données en ajustant AMPL H ou effectuer un réglage fin avec DEPL.

Signal	N° de mémoire	AMPL H
Super Mac-2	23	1312
SGL-1	23	1320
Macintosh 19"	25	1328
Macintosh 21"	28	1456
Sony News	36	1708
PC-9821 1280 x 1024	36	1600
WS Sunmicro	37	1664

Remarques

- Une partie de l'écran est affichée en noir en fonction du rapport d'écran du signal d'entrée.
- Utilisez les signaux suivants pour entrer le signal synchro de l'extérieur depuis le connecteur SYNC/HD.
 - Signal RVB 15k: signal synchro composite ou signal vidéo composite
 - Signal du composant (15k): ne peut entrer de signal synchro de l'extérieur.
 - Signal progressif du composant ou DTV (Préréglé N° 3 – 5 ou N° 43 – 48), 1080/24PsF: signal synchro composite
- Lorsque vous réglez HD et VD en même temps qu'un signal "Sync sur V", il est possible que l'image ne s'affiche pas correctement.

Si vous utilisez un ordinateur portable avec un écran LCD SXGA+

Cet appareil n'est pas compatible avec la résolution SXGA+ (1400 x 1050 points). Si vous souhaitez utiliser un ordinateur portable avec un panneau LCD SXGA+ pour votre présentation, changez le réglage de résolution de l'affichage de votre ordinateur portable. Sélectionnez la résolution appropriée à partir du tableau "Signaux présélectionnés".

Pour plus d'informations sur la manière de régler la résolution de votre ordinateur portable, reportez-vous au mode d'emploi de l'ordinateur.

Paramètres réglages de MEMOIRE VIDEO

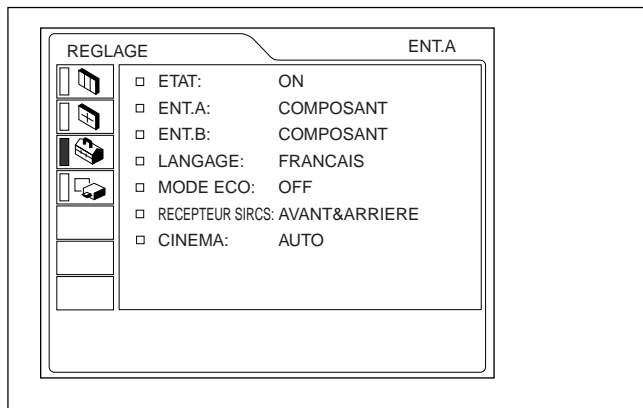
Les paramètres que vous pouvez régler sous MEMOIRE VIDEO sont:

- "CONTRASTE", "LUMIERE", "COULEUR", "TEINTE", "NETTETE", "OPTIMISEUR RVB", "IMAGE D.", "TEMP COULEU", "STANDARD" et "DRC-MF" dans le menu CTRL IMAGE.
- "FORMAT", "CONV FREQ", "DEFILEMENT V" et "AIRE TITRE" dans le menu REGL ENTREE.

1) Le N° 49 est un signal avec entrelacement.

Le menu REGLAGE

Le menu REGLAGE est utilisé pour modifier les réglages du projecteur.



ETAT (affichage)

Règle l’affichage sur écran.

ON: Affichage de tous les écrans de menu.

OFF: Désactive les affichages à l’exception des menus, du message d’indication de mise hors tension et des messages d’avertissement.

ENT. A

Sélectionne le signal d’ordinateur, composante, DTV YPBPr ou DTV GBR entré via le connecteur INPUT A.

Remarque

Si le réglage n’est pas correct, l’indication “Vérifiez réglage ENT. A.” apparaît à l’écran et les couleurs de l’image deviennent anormales ou l’image ne s’affiche pas.

ENT. B

Sélectionne le signal d’ordinateur, composante, DTV YPBPr ou DTV GBR entré via le connecteur INPUT B.

Remarques

- Si le réglage n’est pas correct, l’indication “Vérifiez réglage ENT. B.” apparaît à l’écran et les couleurs de l’image deviennent anormales ou l’image ne s’affiche pas.
- Réglez le signal composante progressif, p.ex. DVD, sur “COMPOSANT”; le signal RVB 15k, p.ex. jeux, sur “DTV GBR”.

Les signaux pouvant être fournis pour chaque réglage de ENTREE-A et -B sont indiqués ci-dessous.

Signal	Réglage de ENTREE-A et -B			
	ORDINATEUR	COMPOSANT	DTV YPBPr	DTV GBR
RVB 15k (sortie DVD en système PAL, etc.)	–	–	–	●
Composant	–	●	●	–
Composantes progressif (Sortie DVD progressive etc.)	–	●	●	–
DTV (Sortie numérique BS, etc.)	–	–	●	●
Ordinateur	●	–	–	–

● : peut être fourni – : ne peut pas être fourni

LANGAGE

Sélectionne la langue d’affichage du menu et des écrans de menu.

Les langues disponibles sont les suivantes: anglais, français, allemand, italien, espagnol, japonais et chinois.

MODE ECO

Lorsque vous sélectionnez ON, le projecteur passe en mode d’économie d’énergie si aucun signal n’est entré pendant 10 minutes.

Le mode d’économie d’énergie est annulé lorsqu’un signal est entré ou lorsqu’une touche est enfoncée.

RECEPTEUR SIRCS

Sélectionne les capteurs de télécommande (récepteur SIRCS) à l’avant et à l’arrière du projecteur.

AVANT & ARRIERE: Active les capteurs avant et arrière.

AVANT: Active uniquement le capteur avant.

ARRIERE: Active uniquement le capteur arrière.

CINEMA

Sélectionne l’une des positions selon la source du signal pour le signal NTSC_{3.58/4.43}, RVB 15k (60 Hz) ou 525/60.

AUTO: Se règle sur AUTO au signal d’un matériel provenant d’un film. Un ajustement 24 images est appliqué.

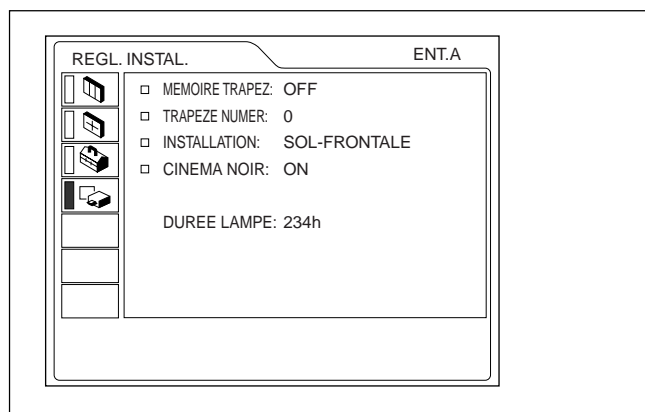
OFF: L’ajustement 24 images n’est pas appliqué.

Remarque

Cette fonction est inopérante pour les signaux de 50 Hz.

Le menu REGL. INSTAL.

Le menu REGL. INSTAL. sert à modifier les paramètres d'installation du projecteur.



MEMOIRE TRAPEZ

- ON:** Le réglage TRAPEZE NUMER est mémorisé. Les données sont récupérées lorsque le projecteur est mis sous tension. Le réglage reste inchangé.
- OFF:** TRAPEZE NUMER sera réinitialisé sur 0 la prochaine fois que le projecteur sera mis sous tension.

TRAPEZE NUMER

Corrige la distorsion trapézoïdale de l'image provoquée par l'angle de projection. Si le bord de base est trop long, choisissez une valeur négative. Si le bord supérieur est trop long, choisissez une valeur positive pour afficher l'image sous forme rectangulaire.

Remarque

Vous pouvez changer la forme trapézoïdale uniquement si "ZOOM", "PLEIN", ou "NORMAL" a été sélectionné sous FORMAT dans le menu REGL ENTREE.

INSTALLATION

Sélectionne l'inversion horizontale ou verticale de l'image.

SOL-FRONTALE: L'image n'est pas inversée.

PLAF.-FRONT.: L'image est inversée horizontalement et verticalement.

SOL-RETRO: L'image est inversée horizontalement.

PLAFOND-RETRO: L'image est inversée verticalement.

Remarque

En cas d'utilisation d'un miroir, faites bien attention aux conditions d'installation puisque l'image peut être inversée.

CINEMA NOIR

Commute la puissance de la lampe durant la projection.

OFF: Puissance normale.

ON: Renforce le noir en réduisant la puissance de la lampe.

Remarques

- Pendant la projection, il faut quelques secondes pour que le projecteur modifie le wattage de la lampe.
- Si CINEMA NOIR est réglé sur ON, la lampe fonctionne d'abord suivant le réglage OFF au moment de la mise sous tension et passe ensuite sur ON au bout d'un certain temps.

DUREE LAMPE

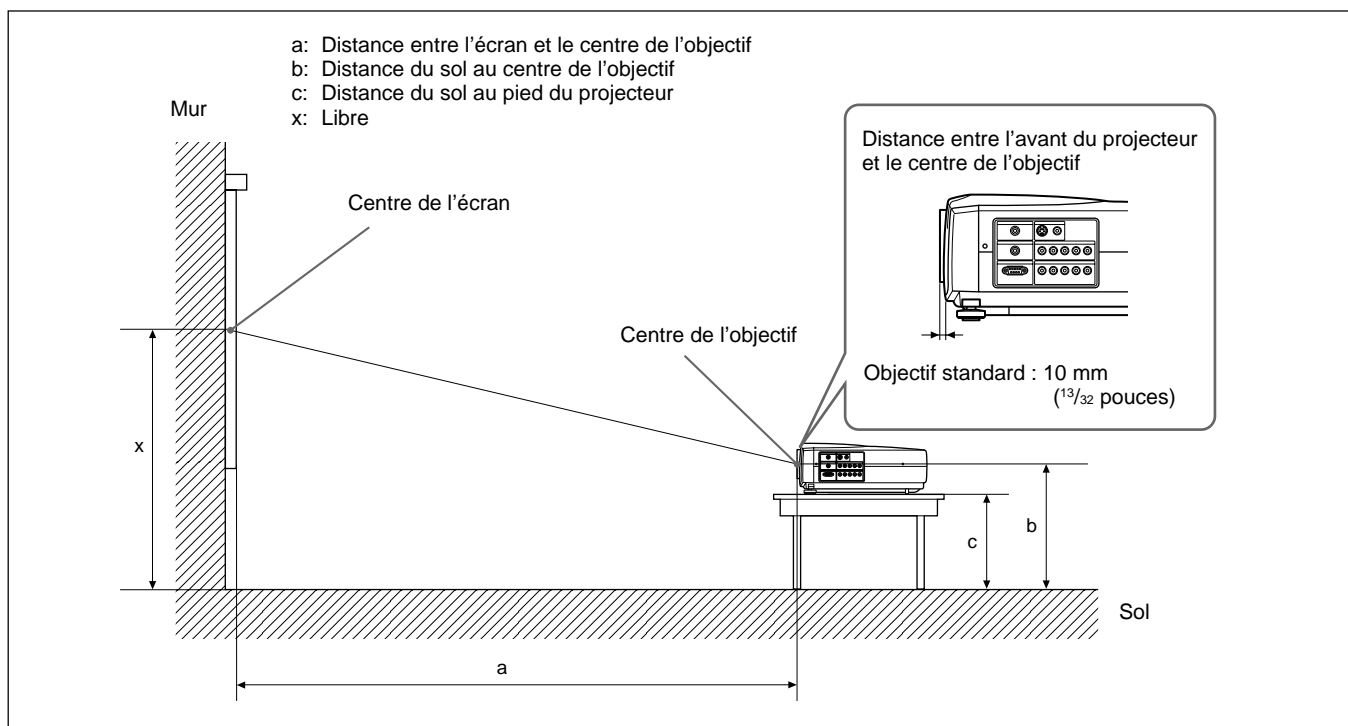
Indique la durée d'activation de la lampe.

Remarque

Seule la durée s'affiche. Vous ne pouvez pas changer l'affichage.

Exemples d'installation

Installation au sol



Unité: mm (pouces)

Taille de l'écran 16:9 (pouces)		40	60	80	100	120	150	180	200	250	300
a	Minimum	1260 (49 5/8)	1930 (76)	2600 (102 3/8)	3270 (128 7/8)	3930 (154 3/4)	4940 (194 5/8)	5940 (234)	6610 (260 3/8)	8270 (325 3/4)	9940 (391 1/2)
	Maximum	1470 (58)	2240 (88 1/4)	3010 (118 5/32)	3780 (148 7/8)	4550 (179 1/4)	5710 (224 7/8)	6860 (270 1/8)	7630 (300 1/2)	9560 (376 1/2)	11480 (452 1/8)
b		x-249 (x-9 7/8)	x-374 (x-14 3/4)	x-498 (x-19 5/8)	x-623 (x-24 5/8)	x-747 (x-29 1/2)	x-934 (x-36 7/8)	x-1121 (x-44 1/4)	x-1245 (x-49 1/8)	x-1556 (x-61 3/8)	x-1868 (x-73 5/8)
c		x-349 (x-13 3/4)	x-473 (x-18 5/8)	x-598 (x-23 5/8)	x-722 (x-28 1/2)	x-847 (x-33 3/8)	x-1033 (x-40 3/4)	x-1220 (x-48 1/8)	x-1345 (x-53)	x-1656 (x-65 1/4)	x-1967 (x-77 1/2)

Pour calculer les distances d'installation (unité: mm)

SS: diagonale de l'écran (pouces)

$$a \text{ (minimum)} = \{(SS \times 44,22/1,3573) - 70,76208\} \times 1,025$$

$$b = x - (SS/1,3573 \times 8,45)$$

$$a \text{ (maximum)} = \{(SS \times 53,599173/1,3573) - 70,17171\} \times 0,975$$

$$c = x - (SS/1,3573 \times 8,45 + 99,5)$$

Unité: mm (pouces)

Taille de l'écran 4:3 (pouces)		40	60	80	100	120	150	180	200	250	300
a	Minimum	1560 (61 1/2)	2380 (93 3/4)	3200 (126)	4020 (158 5/16)	4830 (190 1/4)	6060 (238 5/8)	7290 (287 1/8)	8100 (319)	10150 (399 3/4)	12190 (480)
	Maximum	1820 (71 3/4)	2760 (108 3/4)	3700 (145 3/4)	4650 (183 1/8)	5590 (220 1/8)	7000 (275 5/8)	8420 (331 5/8)	9360 (368 5/8)	11720 (461 1/2)	14070 (554 1/8)
b		x-305 (x-12 1/8)	x-457 (x-18)	x-610 (x-24 1/8)	x-762 (x-30)	x-915 (x-36 1/8)	x-1143 (x-45)	x-1372 (x-54 1/8)	x-1524 (x-60)	x-1905 (x-75 1/8)	x-2287 (x-90 1/8)
c		x-404 (x-16)	x-557 (x-22)	x-709 (x-28)	x-862 (x-34)	x-1014 (x-40)	x-1243 (x-49)	x-1471 (x-58)	x-1624 (x-64)	x-2005 (x-79)	x-2386 (x-94)

Pour calculer les distances d'installation (unité: mm)

SS: diagonale de l'écran (pouces)

$$a \text{ (minimum)} = \{(SS \times 44,22/1,1087) - 70,76208\} \times 1,025$$

$$b = x - (SS/1,1087 \times 8,45)$$

$$a \text{ (maximum)} = \{(SS \times 53,597384/1,1087) - 70,27214\} \times 0,975$$

$$c = x - (SS/1,1087 \times 8,45 + 99,5)$$

Si vous installez le projecteur sur un bureau ou une autre surface plane et que vous utilisez des optiques de projecteur VPLL-ZM101 ou VPLL-ZM31, reportez-vous au tableau suivant pour connaître les mesures d'installation appropriées.

A propos du montage de l'objectif

Le montage de l'objectif comporte un risque d'incendie ou de blessure aux personnes. L'utilisateur doit demander au représentant Sony qualifié de monter l'objectif.

Pour l'optique de projecteur VPLL-ZM101

Taille de l'écran 16:9 (pouces)		Unité: mm (pouces)									
		40	60	80	100	120	150	180	200	250	300
a	Minimum	2500 (98 ⁴ / ₈)	3860 (151 ⁷ / ₈)	5210 (205 ² / ₈)	6570 (258 ⁶ / ₈)	7930 (312 ¹ / ₈)	9960 (392 ² / ₈)	11990 (472 ³ / ₈)	13350 (525 ⁶ / ₈)	16740 (659 ³ / ₈)	20130 (792 ⁵ / ₈)
	Maximum	3750 (147 ⁴ / ₈)	5720 (225 ² / ₈)	7700 (303 ² / ₈)	9670 (381)	11650 (458 ⁷ / ₈)	14620 (575 ⁵ / ₈)	17580 (692 ² / ₈)	19560 (770 ¹ / ₈)	24500 (964 ⁵ / ₈)	29440 (1159 ² / ₈)
b		x-249 (x-9 ⁷ / ₈)	x-374 (x-14 ³ / ₄)	x-498 (x-19 ⁵ / ₈)	x-623 (x-24 ⁵ / ₈)	x-747 (x-29 ¹ / ₂)	x-934 (x-36 ⁷ / ₈)	x-1121 (x-44 ¹ / ₄)	x-1245 (x-49 ¹ / ₈)	x-1556 (x-61 ³ / ₈)	x-1868 (x-73 ⁵ / ₈)
c		x-349 (x-13 ³ / ₄)	x-473 (x-18 ⁵ / ₈)	x-598 (x-23 ⁵ / ₈)	x-722 (x-28 ¹ / ₂)	x-847 (x-33 ³ / ₈)	x-1033 (x-40 ³ / ₄)	x-1220 (x-48 ¹ / ₈)	x-1345 (x-53)	x-1656 (x-65 ¹ / ₄)	x-1967 (x-77 ¹ / ₂)

Pour calculer les distances d'installation (unité: mm)

SS: diagonale de l'écran (pouces)

$$a \text{ (minimum)} = \{(SS \times 89,8220/1,3573) - 209,2626\} \times 1,025$$

$$a \text{ (maximum)} = \{(SS \times 137,5601/1,3573) - 211,5915\} \times 0,975$$

$$b = x - (SS/1,3573 \times 8,45)$$

$$c = x - (SS/1,3573 \times 8,45 + 99,5)$$

Unité: mm (pouces)

Taille de l'écran 4:3 (pouces)		Unité: mm (pouces)									
		40	60	80	100	120	150	180	200	250	300
a	Minimum	3110 (122 ³ / ₈)	4770 (187 ⁶ / ₈)	6430 (253 ² / ₈)	8090 (318 ⁵ / ₈)	9750 (384)	12240 (482)	14730 (580)	16390 (645 ⁵ / ₈)	20550 (809)	24700 (972 ⁵ / ₈)
	Maximum	4630 (182 ⁴ / ₈)	7050 (277 ⁶ / ₈)	9470 (373)	11890 (468 ² / ₈)	14310 (563 ⁴ / ₈)	17940 (706 ⁴ / ₈)	21570 (849 ³ / ₈)	23990 (944 ⁵ / ₈)	30040 (1182 ⁶ / ₈)	36090 (1421)
b		x-305 (x-12 ¹ / ₈)	x-457 (x-18)	x-610 (x-24 ¹ / ₈)	x-762 (x-30)	x-915 (x-36 ¹ / ₈)	x-1143 (x-45)	x-1372 (x-54 ¹ / ₈)	x-1524 (x-60)	x-1905 (x-75 ¹ / ₈)	x-2287 (x-90 ¹ / ₈)
c		x-404 (x-16)	x-557 (x-22)	x-709 (x-28)	x-862 (x-34)	x-1014 (x-40)	x-1243 (x-49)	x-1471 (x-58)	x-1624 (x-64)	x-2005 (x-79)	x-2386 (x-94)

Pour calculer les distances d'installation (unité: mm)

SS: diagonale de l'écran (pouces)

$$a \text{ (minimum)} = \{(SS \times 89,8220/1,1087) - 209,2626\} \times 1,025$$

$$a \text{ (maximum)} = \{(SS \times 137,5601/1,1087) - 211,5915\} \times 0,975$$

$$b = x - (SS/1,1087 \times 8,45)$$

$$c = x - (SS/1,1087 \times 8,45 + 99,5)$$

Pour l'optique de projecteur VPLL-ZM31

Unité: mm (pouces)

Taille de l'écran 16:9 (pouces)		40	60	80	100	120	150	180	200	250	300
a	Minimum	1140 (45)	1770 (69 ⁶ / ₈)	2400 (94 ⁵ / ₈)	3030 (119 ⁴ / ₈)	3660 (144 ³ / ₈)	4610 (181 ⁵ / ₈)	5560 (218 ⁷ / ₈)	6190 (243 ⁵ / ₈)	7760 (305 ⁶ / ₈)	9340 (367 ⁶ / ₈)
	Maximum	1210 (47 ⁴ / ₈)	1860 (73 ⁴ / ₈)	2520 (99 ³ / ₈)	3180 (125 ³ / ₈)	3840 (151 ² / ₈)	4830 (190 ¹ / ₈)	5810 (229)	6470 (254 ⁷ / ₈)	8120 (319 ⁶ / ₈)	9760 (384 ⁴ / ₈)
b		x-249 (x-9 ⁷ / ₈)	x-374 (x-14 ³ / ₄)	x-498 (x-19 ⁵ / ₈)	x-623 (x-24 ⁵ / ₈)	x-747 (x-29 ¹ / ₂)	x-934 (x-36 ⁷ / ₈)	x-1121 (x-44 ¹ / ₄)	x-1245 (x-49 ¹ / ₈)	x-1556 (x-61 ³ / ₈)	x-1868 (x-73 ⁵ / ₈)
c		x-349 (x-13 ³ / ₄)	x-473 (x-18 ⁵ / ₈)	x-598 (x-23 ⁵ / ₈)	x-722 (x-28 ¹ / ₂)	x-847 (x-33 ³ / ₈)	x-1033 (x-40 ³ / ₄)	x-1220 (x-48 ¹ / ₈)	x-1345 (x-53)	x-1656 (x-65 ¹ / ₄)	x-1967 (x-77 ¹ / ₂)

Pour calculer les distances d'installation (unité: mm)

SS: diagonale de l'écran (pouces)

$$a \text{ (minimum)} = \{(SS \times 41,75/1,3573) - 116,2604\} \times 1,025$$

$$a \text{ (maximum)} = \{(SS \times 45,8210/1,3573) - 112,9154\} \times 0,975$$

$$b = x - (SS/1,3573 \times 8,45)$$

$$c = x - (SS/1,3573 \times 8,45 + 99,5)$$

Unité: mm (pouces)

Taille de l'écran 4:3 (pouces)		40	60	80	100	120	150	180	200	250	300
a	Minimum	1420 (56 ¹ / ₈)	2200 (86 ⁵ / ₈)	2970 (117)	3740 (147 ³ / ₈)	4510 (177 ⁶ / ₈)	5670 (223 ³ / ₈)	6830 (269)	7600 (299 ³ / ₈)	9530 (375 ³ / ₈)	11460 (451 ² / ₈)
	Maximum	1500 (59 ² / ₈)	2310 (91)	3110 (122 ⁵ / ₈)	3920 (154 ³ / ₈)	4730 (186 ¹ / ₈)	5930 (233 ⁶ / ₈)	7140 (281 ³ / ₈)	7950 (313)	9960 (392 ³ / ₈)	11980 (471 ⁶ / ₈)
b		x-305 (x-12 ¹ / ₈)	x-457 (x-18)	x-610 (x-24 ¹ / ₈)	x-762 (x-30)	x-915 (x-36 ¹ / ₈)	x-1143 (x-45)	x-1372 (x-54 ¹ / ₈)	x-1524 (x-60)	x-1905 (x-75 ¹ / ₈)	x-2287 (x-90 ¹ / ₈)
c		x-404 (x-16)	x-557 (x-22)	x-709 (x-28)	x-862 (x-34)	x-1014 (x-40)	x-1243 (x-49)	x-1471 (x-58)	x-1624 (x-64)	x-2005 (x-79)	x-2386 (x-94)

Pour calculer les distances d'installation (unité: mm)

SS: diagonale de l'écran (pouces)

$$a \text{ (minimum)} = \{(SS \times 41,75/1,1087) - 116,2604\} \times 1,025$$

$$a \text{ (maximum)} = \{(SS \times 45,8210/1,1087) - 112,9154\} \times 0,975$$

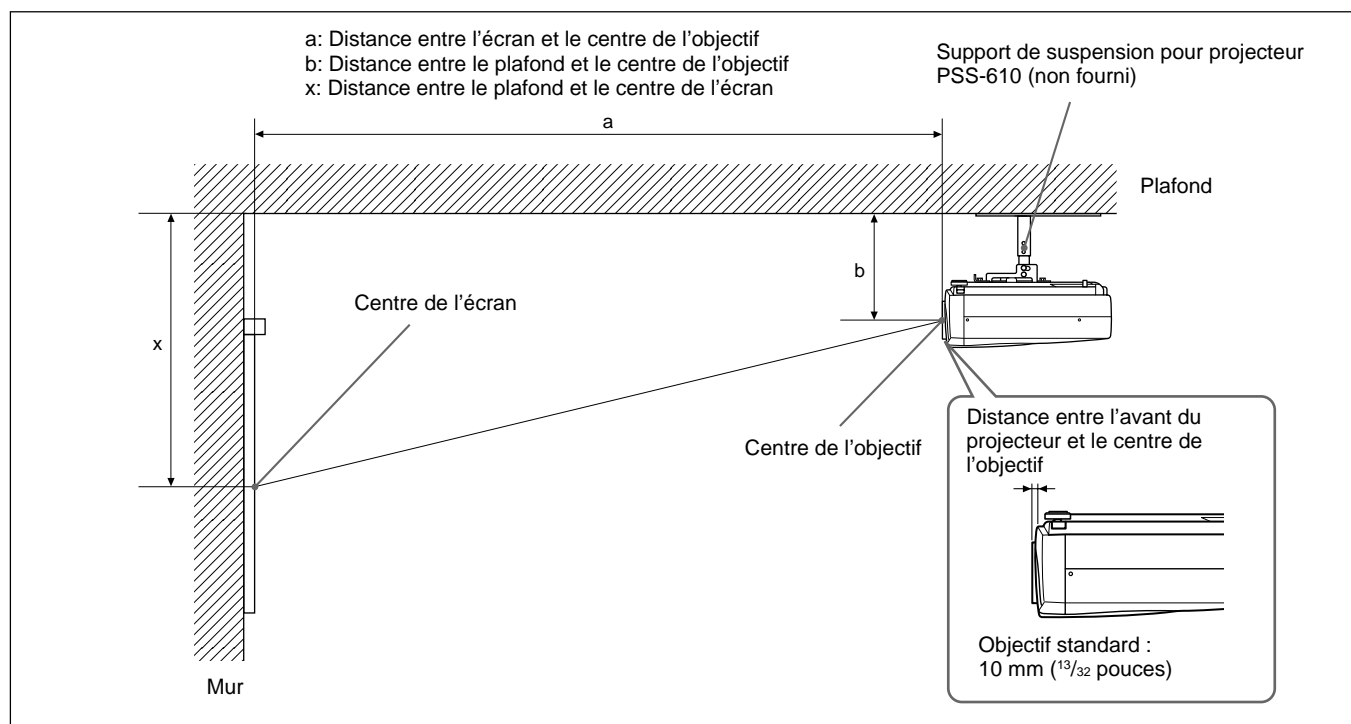
$$b = x - (SS/1,1087 \times 8,45)$$

$$c = x - (SS/1,1087 \times 8,45 + 99,5)$$

Installation au plafond

Si vous installez le projecteur au plafond, utilisez le support de suspension pour projecteur PSS-610.

Pour une installation au plafond, consultez le personnel Sony qualifié.



Unité: mm (pouces)

Taille de l'écran 16:9 (pouces)		80	100	120	150	180	200	250	300
a	Minimum	2600 (102 3/8)	3270 (128 7/8)	3930 (154 3/4)	4940 (194 5/8)	5940 (234)	6610 (260 3/8)	8270 (325 3/4)	9940 (391 1/2)
	Maximum	3010 (118 5/32)	3780 (148 7/8)	4550 (179 1/4)	5710 (224 7/8)	6860 (270 1/8)	7630 (300 1/2)	9560 (376 1/2)	11480 (452 1/8)
x		b+498 (b+19 5/8)	b+623 (b+24 5/8)	b+747 (b+29 1/2)	b+934 (b+36 7/8)	b+1121 (b+44 1/4)	b+1245 (b+49 1/8)	b+1556 (b+61 3/8)	b+1868 (b+73 5/8)
b		247/272/297/347/372/397 mm (9 3/4/10 3/4/11 3/4/13 3/4/14 3/4/15 3/4 pouces) réglable si vous utilisez un PSS-610							

Pour calculer les distances d'installation (unité: mm)

SS: diagonale de l'écran (pouces)

$$a \text{ (minimum)} = \{(SS \times 44,22/1,3573) - 70,76208\} \times 1,025$$

$$a \text{ (maximum)} = \{(SS \times 53,599173/1,3573) - 70,17171\} \times 0,975$$

$$x = b + (SS/1,3573 \times 8,45)$$

Unité: mm (pouces)

Taille de l'écran 4:3 (pouces)		80	100	120	150	180	200	250	300
a	Minimum	3200 (126)	4020 (158 5/16)	4830 (190 1/4)	6060 (238 5/8)	7290 (287 1/8)	8100 (319)	10150 (399 3/4)	12190 (480)
	Maximum	3700 (145 3/4)	4650 (183 1/8)	5590 (220 1/8)	7000 (275 5/8)	8420 (331 5/8)	9360 (368 5/8)	11720 (461 1/2)	14070 (554 1/8)
x		b+610 (b+24 1/8)	b+762 (b+30)	b+915 (b+36 1/8)	b+1143 (b+45)	b+1372 (b+54 1/8)	b+1524 (b+60)	b+1905 (b+75 1/8)	b+2287 (b+90 1/8)
b		247/272/297/347/372/397 mm (9 3/4/10 3/4/11 3/4/13 3/4/14 3/4/15 3/4 pouces) réglable si vous utilisez un PSS-610							

Pour calculer les distances d'installation (unité: mm)

SS: diagonale de l'écran (pouces)

$$a \text{ (minimum)} = \{(SS \times 44,22/1,1087) - 70,76208\} \times 1,025$$

$$a \text{ (maximum)} = \{(SS \times 53,597384/1,1087) - 70,27214\} \times 0,975$$

$$x = b + (SS/1,1087 \times 8,45)$$

Si vous installez le projecteur au plafond et que vous utilisez des optiques de projecteur VPLL-ZM101 ou VPLL-ZM31, reportez-vous au tableau suivant pour connaître les mesures d'installation appropriées.

A propos du montage de l'objectif

Le montage de l'objectif comporte un risque d'incendie ou de blessure aux personnes. L'utilisateur doit demander au représentant Sony qualifié de monter l'objectif.

Pour l'optique de projecteur VPLL-ZM101

Unité: mm (pouces)

Taille de l'écran 16:9 (pouces)		80	100	120	150	180	200	250	300
a	Minimum	5210 (205 ² / ₈)	6570 (258 ⁶ / ₈)	7930 (312 ¹ / ₈)	9960 (392 ² / ₈)	11990 (472 ³ / ₈)	13350 (525 ⁶ / ₈)	16740 (659 ³ / ₈)	20130 (792 ⁵ / ₈)
	Maximum	7700 (303 ² / ₈)	9670 (381)	11650 (458 ⁷ / ₈)	14620 (575 ⁵ / ₈)	17580 (692 ² / ₈)	19560 (770 ¹ / ₈)	24500 (964 ⁵ / ₈)	29440 (1159 ² / ₈)
x		b+498 (b+19 ⁵ / ₈)	b+623 (b+24 ⁵ / ₈)	b+747 (b+29 ¹ / ₂)	b+934 (b+36 ⁷ / ₈)	b+1121 (b+44 ¹ / ₄)	b+1245 (b+49 ¹ / ₈)	b+1556 (b+61 ³ / ₈)	b+1868 (b+73 ⁵ / ₈)
b		247/272/297/347/372/397 mm (9 ³ / ₄ /10 ³ / ₄ /11 ³ / ₄ /13 ³ / ₄ /14 ³ / ₄ /15 ³ / ₄ pouces) réglable si vous utilisez un PSS-610							

Pour calculer les distances d'installation (unité: mm)

SS: diagonale de l'écran (pouces)

$$a \text{ (minimum)} = \{(SS \times 89,8220/1,3573) - 209,2626\} \times 1,025$$

$$a \text{ (maximum)} = \{(SS \times 137,5601/1,3573) - 211,5915\} \times 0,975$$

$$x = b + (SS/1,3573 \times 8,45)$$

Unité: mm (pouces)

Taille de l'écran 4:3 (pouces)		80	100	120	150	180	200	250	300
a	Minimum	6430 (253 ² / ₈)	8090 (318 ⁵ / ₈)	9750 (384)	12240 (482)	14730 (580)	16390 (645 ⁵ / ₈)	20550 (809)	24700 (972 ⁵ / ₈)
	Maximum	9470 (373)	11890 (468 ² / ₈)	14310 (563 ⁴ / ₈)	17940 (706 ⁴ / ₈)	21570 (849 ³ / ₈)	23990 (944 ⁵ / ₈)	30040 (1182 ⁶ / ₈)	36090 (1421)
x		b+610 (b+24 ¹ / ₈)	b+762 (b+30)	b+915 (b+36 ¹ / ₈)	b+1143 (b+45)	b+1372 (b+54 ¹ / ₈)	b+1524 (b+60)	b+1905 (b+75 ¹ / ₈)	b+2287 (b+90 ¹ / ₈)
b		247/272/297/347/372/397 mm (9 ³ / ₄ /10 ³ / ₄ /11 ³ / ₄ /13 ³ / ₄ /14 ³ / ₄ /15 ³ / ₄ pouces) réglable si vous utilisez un PSS-610							

Pour calculer les distances d'installation (unité: mm)

SS: diagonale de l'écran (pouces)

$$a \text{ (minimum)} = \{(SS \times 89,8220/1,1087) - 209,2626\} \times 1,025$$

$$a \text{ (maximum)} = \{(SS \times 137,5601/1,1087) - 211,5915\} \times 0,975$$

$$x = b + (SS/1,1087 \times 8,45)$$

Pour l'optique de projecteur VPLL-ZM31

Unité: mm (pouces)

Taille de l'écran 16:9 (pouces)		80	100	120	150	180	200	250	300
a	Minimum	2400 (94 ⁵ / ₈)	3030 (119 ⁴ / ₈)	3660 (144 ³ / ₈)	4610 (181 ⁵ / ₈)	5560 (218 ⁷ / ₈)	6190 (243 ⁵ / ₈)	7760 (305 ⁶ / ₈)	9340 (367 ⁶ / ₈)
	Maximum	2520 (99 ³ / ₈)	3180 (125 ³ / ₈)	3840 (151 ² / ₈)	4830 (190 ¹ / ₈)	5810 (229)	6470 (254 ⁷ / ₈)	8120 (319 ⁶ / ₈)	9760 (384 ⁴ / ₈)
x		b+498 (b+19 ⁵ / ₈)	b+623 (b+24 ³ / ₈)	b+747 (b+29 ¹ / ₂)	b+934 (b+36 ⁷ / ₈)	b+1121 (b+44 ¹ / ₄)	b+1245 (b+49 ¹ / ₈)	b+1556 (b+61 ³ / ₈)	b+1868 (b+73 ⁵ / ₈)
b		247/272/297/347/372/397 mm (9 ³ / ₄ /10 ³ / ₄ /11 ³ / ₄ /13 ³ / ₄ /14 ³ / ₄ /15 ³ / ₄ pouces) réglable si vous utilisez un PSS-610							

Pour calculer les distances d'installation (unité: mm)

SS: diagonale de l'écran (pouces)

$$a \text{ (minimum)} = \{(SS \times 41,75/1,3573) - 116,2604\} \times 1,025$$

$$a \text{ (maximum)} = \{(SS \times 45,8210/1,3573) - 112,9154\} \times 0,975$$

$$x = b + (SS/1,3573 \times 8,45)$$

Unité: mm (pouces)

Taille de l'écran 4:3 (pouces)		80	100	120	150	180	200	250	300
a	Minimum	2970 (117)	3740 (147 ³ / ₈)	4510 (177 ⁶ / ₈)	5670 (223 ³ / ₈)	6830 (269)	7600 (299 ³ / ₈)	9530 (375 ³ / ₈)	11460 (451 ² / ₈)
	Maximum	3110 (122 ⁵ / ₈)	3920 (154 ³ / ₈)	4730 (186 ¹ / ₈)	5930 (233 ⁶ / ₈)	7140 (281 ³ / ₈)	7950 (313)	9960 (392 ³ / ₈)	11980 (471 ⁶ / ₈)
x		b+610 (b+24 ¹ / ₈)	b+762 (b+30)	b+915 (b+36 ¹ / ₈)	b+1143 (b+45)	b+1372 (b+54 ¹ / ₈)	b+1524 (b+60)	b+1905 (b+75 ¹ / ₈)	b+2287 (b+90 ¹ / ₈)
b		247/272/297/347/372/397 mm (9 ³ / ₄ /10 ³ / ₄ /11 ³ / ₄ /13 ³ / ₄ /14 ³ / ₄ /15 ³ / ₄ pouces) réglable si vous utilisez un PSS-610							

Pour calculer les distances d'installation (unité: mm)

SS: diagonale de l'écran (pouces)

$$a \text{ (minimum)} = \{(SS \times 41,75/1,1087) - 116,2604\} \times 1,025$$

$$a \text{ (maximum)} = \{(SS \times 45,8210/1,1087) - 112,9154\} \times 0,975$$

$$x = b + (SS/1,1087 \times 8,45)$$

Fixation du support de suspension pour projecteur PSS-610

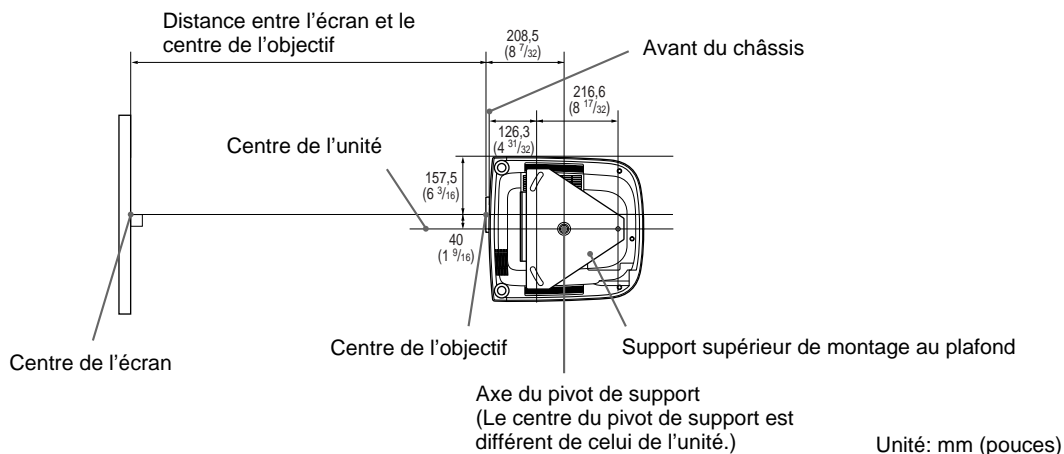
Si vous installez le projecteur au plafond, utilisez le support de suspension pour projecteur PSS-610. Pour plus de détails sur l'installation au plafond, reportez-vous au manuel d'installation du PSS-610 destiné aux

revendeurs. Les distances d'installation sont indiquées ci-dessous lorsque vous installez le projecteur au plafond.

Diagramme d'installation

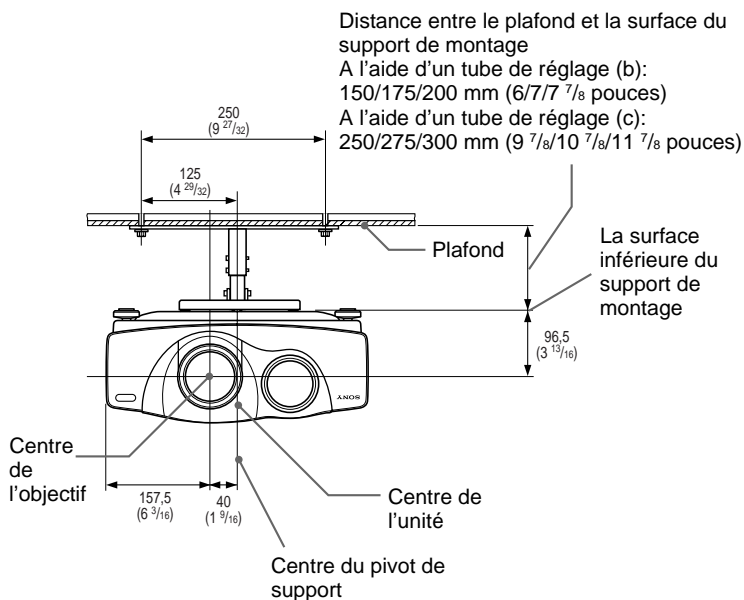
Vue du dessus

Alignez le centre de l'objectif sur le centre de l'écran.

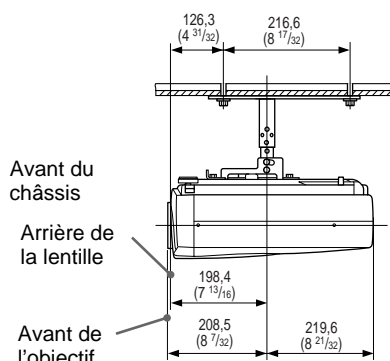


Vue frontale

L'objectif est décalé de 40 mm (1 9/16 pouces) à gauche de l'axe du pivot de support. Lors du montage, veillez à aligner le centre de l'objectif sur le centre de l'écran; pas sur l'axe du pivot de support.



Vue latérale

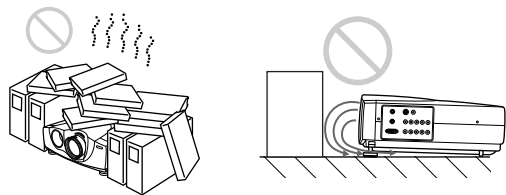


Remarques concernant l'installation

Installation déconseillée

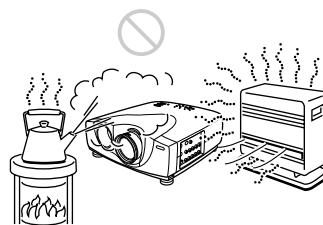
N'installez pas le projecteur dans les conditions suivantes. Ces installations peuvent entraîner un dysfonctionnement ou causer des dommages au projecteur.

Manque de ventilation



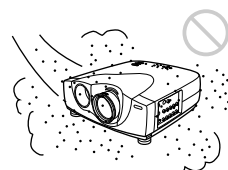
- **Prévoyez une circulation d'air suffisante pour éviter toute surchauffe interne.** Ne placez pas l'appareil sur des surfaces textiles (tapis, couvertures, etc.) ni à proximité de tissus (rideaux, tentures) susceptibles d'obstruer les orifices de ventilation. Lorsque l'appareil est en surchauffe parce que les orifices de ventilation sont obstrués, le capteur de température peut déclencher la mise hors tension, en affichant d'abord le message "Surchauffe! Lampe OFF 1 min." s'affiche. Le projecteur peut alors se mettre automatiquement hors tension après une minute.
- Laissez un espace libre de plus de 30 cm (11 7/8 pouces) autour du projecteur.
- **Veillez à ce que les orifices de ventilation n'aspirent pas de particules** telles que des morceaux de papier.
- Si vous placez quelque chose devant les orifices de ventilation avant, l'air expulsé du projecteur risque d'être aspiré par les orifices de ventilation situés sur le dessous, provoquant ainsi une élévation de la température interne et une activation du circuit de protection. **Installez le projecteur de façon à ne pas entraver la sortie d'air.**

Exposition à la chaleur et à l'humidité



- N'installez pas l'appareil dans un endroit où la température et l'humidité sont très élevées ou dans un endroit très froid.
- Pour éviter la condensation d'humidité, n'installez pas l'appareil dans un endroit où la température peut augmenter rapidement.

Endroit poussiéreux

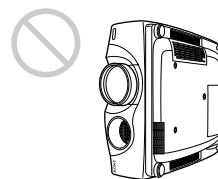


N'installez pas l'appareil dans un endroit très poussiéreux car le filtre à air pourrait se boucher. **La poussière obstruant le passage de l'air dans le filtre peut entraîner une augmentation de la température intérieure du projecteur.** Procédez à un remplacement de filtre à air périodiquement.

Conditions d'utilisation déconseillées

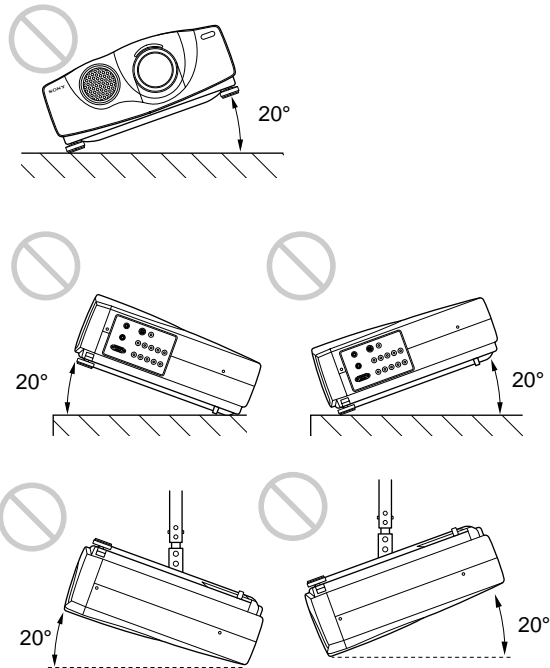
N'effectuez aucune des opérations suivantes.

Utilisation du projecteur à la verticale



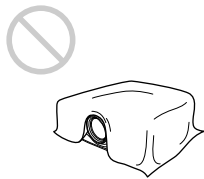
N'installez pas le projecteur sur son flanc. Cette position peut entraîner un problème de fonctionnement.

Inclinaison vers l'avant/l'arrière et la droite/la gauche



N'installez pas l'appareil suivant un angle de plus de 20 degrés. Installez l'appareil uniquement sur une surface plane ou au plafond. Une mauvaise installation de l'appareil peut entraîner un problème de fonctionnement.

N'obstruez pas les orifices de ventilation



Ne couvrez pas les orifices de ventilation, car cela pourrait entraîner une hausse de la température interne de l'appareil.

Entretien

Remarques

- Si la lampe casse, adressez-vous à un personnel Sony qualifié.
- Extrayez la lampe par la poignée. Si vous touchez le module de lampe, vous risquez de vous brûler ou de vous blesser.
- Lorsque vous retirez la lampe, assurez-vous qu'elle reste horizontale et extrayez-la perpendiculairement. N'inclinez pas le module de lampe. Si vous extrayez la lampe alors qu'elle est inclinée et qu'elle se brise, les morceaux risquent de voler en éclats et de causer des blessures.

Remplacement de la lampe

Lorsque la lumière de la lampe faiblit, remplacez-la dès que possible par une nouvelle lampe pour projecteur LMP-P201 (non fournie).

Il est recommandé de remplacer la lampe par une neuve après environ 2000 heures d'utilisation lorsque CINEMA NOIR est réglé sur OFF, ou après environ 3000 heures lorsque CINEMA NOIR est réglé sur ON.


Lorsque le moment est venu de remplacer la lampe, le message "Remplacer la lampe." s'affiche.

Remplacement de la lampe après avoir utilisé le projecteur

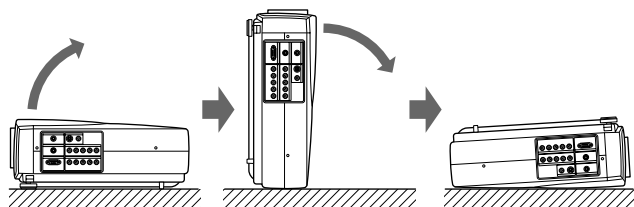
Mettez le projecteur hors tension et débranchez ensuite le câble d'alimentation.

Attendez au moins une heure que la lampe ait refroidi.

Remarque

La lampe reste brûlante, même après la mise hors tension du projecteur en appuyant sur la touche I / . Si vous touchez la lampe, vous risquez de vous brûler. Avant de remplacer la lampe, attendez au moins une heure qu'elle se soit refroidie.

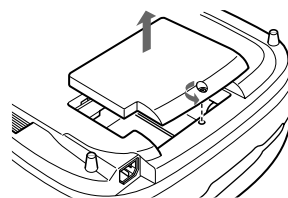
- 1 Placez une feuille de protection (chiffon) sous le projecteur. Maintenez le projecteur et tournez le projecteur vers l'arrière comme illustré ci-dessous.



Remarque

Pour remplacer la lampe, placez le projecteur sur une surface plane et stable.

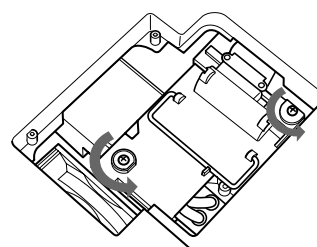
- 2 Ouvrez le couvercle de la lampe en desserrant la vis avec le tournevis Phillips, fourni avec la lampe pour projecteur LMP-P201.



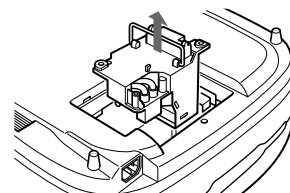
- 3 Desserrez les deux vis du module de lampe avec le tournevis Phillips.

Remarque

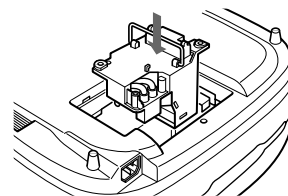
Les vis restent fixées au module de lampe et ne peuvent être retirées.



- 4 Tout en maintenant la lampe à l'horizontale par la poignée, redressez le projecteur.



- 5 Insérez la nouvelle lampe jusqu'à ce qu'elle se mette en place. Serrez les vis. Repliez la poignée.



Remarques

- Ne touchez pas la surface en verre de la lampe.
- Le projecteur ne se met pas sous tension tant que la lampe n'est pas correctement fixée.
- La lampe LMP-P200 ne peut pas être utilisée avec ce projecteur.

(suite)

- 6 Refermez le couvercle de la lampe et serrez la vis.
- 7 Retournez l'arrière du projecteur.
- 8 Raccordez le cordon d'alimentation et mettez le projecteur en mode de veille.
- 9 Appuyez sur les touches suivantes du panneau de commande dans l'ordre suivant pendant moins de cinq secondes chaque fois: RESET, ←, →, ENTER.

Remarques

- **N'introduisez pas les doigts dans la prise de remplacement de la lampe et veillez à ce qu'aucun objet ou liquide ne pénètre** à l'intérieur afin d'éviter tout risque d'électrocution ou d'incendie.
- **Utilisez une lampe pour projecteur LMP-P201** pour le remplacement. Si vous utilisez une autre lampe qu'une LMP-P201, le projecteur risque de présenter un dysfonctionnement.
- N'oubliez pas de mettre le projecteur hors tension et de débrancher le câble d'alimentation avant de remplacer la lampe.

Élimination de la lampe pour projecteur usagée

Étant donné que les matériaux utilisés dans cette lampe sont similaires à ceux d'une lampe fluorescente, vous devez éliminer les lampes pour projecteur usagées de la même manière que les lampes fluorescentes.

Remplacement du filtre à air!

Le filtre à air doit être remplacé lorsqu'un message d'avertissement s'affiche!

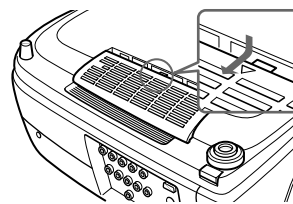
Pour remplacer le filtre à air, procédez comme suit:

Remarque

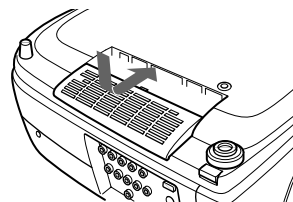
Si vous continuez à utiliser cet appareil sans remplacer le filtre à air, celui-ci risque d'être obstrué par de la poussière. Si cela se produit et en cas de surchauffe interne de l'appareil, le système de protection peut vous empêcher d'utiliser le projecteur pendant un court moment. **Ce filtre ne peut pas être nettoyé: remplacez-le régulièrement.** Il vous faudra peut-être le remplacer plus tôt que prévu, suivant les conditions d'utilisation.

- 1 Mettez le projecteur hors tension et débranchez le cordon d'alimentation.

- 2 Tout en appuyant sur le repère triangulaire situé sur le filtre à air, faites glisser et retirez le filtre à air (sur le dessous du projecteur).



- 3 Insérez le nouveau filtre dans les glissières du projecteur, puis faites-le glisser jusqu'à ce qu'il s'encliquette.



Remarques

- **Veillez à fixer solidement le filtre à air.** L'appareil ne peut pas être mis sous tension si le filtre est mal fixé. De même, s'il reste des écarts entre le filtre à air et l'appareil, de la poussière peut s'accumuler à l'intérieur de l'appareil et la qualité de l'image peut par conséquent se détériorer.
- Le moment de remplacer le filtre à air dépend de l'environnement d'utilisation du projecteur.
- Lorsque le filtre à air est obstrué par de la poussière, le message "Remplacer le filtre." s'affiche.

Pour réinitialiser le filtre à air

Après avoir remplacé le filtre à air, suivez les étapes ci-dessous pour le réinitialiser. Si vous utilisez le projecteur pour la première fois, vous devez également réinitialiser le filtre à air afin que la fonction de détection de poussière fonctionne correctement.

- 1 Branchez le cordon d'alimentation et mettez le projecteur en mode de veille.
- 2 Appuyez sur les touches suivantes du panneau de commandes dans l'ordre suivant dans un délai inférieur à 5 secondes pour chacune d'elles: RESET, MENU, ↓, ENTER.
- 3 Mettez le projecteur sous tension en appuyant sur la touche I / ⏻ du panneau de commandes ou sur la touche I de la télécommande.

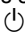
Remarque

Suivez attentivement les opérations décrites ci-dessus. La fonction de détection de poussière sur le filtre ne fonctionnera pas correctement si vous ne suivez pas cette procédure.

Dépannage

Si le projecteur fonctionne de manière anormale, essayez d'identifier et de remédier au problème en consultant le guide suivant. Si le problème persiste, consultez le personnel Sony qualifié.

Alimentation

Symptôme	Cause	Remèdes
Le projecteur ne se met pas sous tension.	L'appareil a été mis hors tension, puis sous tension par pression sur la touche I /  dans un intervalle de temps trop réduit.	Attendez environ 120 secondes avant de mettre le projecteur sous tension (voir page 20 (FR)).
	Le couvercle de la lampe est mal fixé.	Refermez correctement le couvercle de la lampe (voir page 39 (FR)).
	Le filtre à air est mal fixé.	Fixez solidement le filtre à air (voir page 40 (FR)).

Image

Symptôme	Cause	Remèdes
Pas d'image	Le câble est mal branché ou débranché.	Vérifiez si les raccordements ont été correctement effectués (voir pages 14 (FR) à 16 (FR)).
	Réglage d'entrée invalide.	Régalez ENT.A/B en fonction du signal d'entrée.
	La sélection d'entrée est incorrecte.	Sélectionnez correctement la source d'entrée à l'aide de la touche INPUT (voir page 18 (FR)).
	L'image est coupée.	Appuyez sur la touche MUTING PIC pour désactiver la fonction de coupure (voir page 18 (FR)).
	Les signaux de sortie de l'ordinateur ne sont pas transmis vers le moniteur externe.	Transmettez le signal de l'ordinateur vers le moniteur externe (voir page 15 (FR)).
	Le signal de l'ordinateur est à la fois transmis vers l'écran LCD de l'ordinateur et le moniteur externe.	Transmettez le signal de l'ordinateur vers le moniteur externe uniquement (voir page 15 (FR)).
L'image tremblote.	Exceptionnellement, il peut arriver que l'image tremblote lors de l'utilisation du projecteur lorsque le mode CINEMA NOIR est réglé sur ON dans le menu REGL. INSTAL.	Régalez CINEMA NOIR sur OFF et videz l'écran de menu une seule fois. Revenez ensuite au menu REGL. INSTAL. et réglez CINEMA NOIR sur ON (voir page 29 (FR)).
	Exceptionnellement, il peut arriver que l'image tremblote avant que la lampe du projecteur ait atteint sa température de fonctionnement normale (le réchauffement prend environ 20 minutes à partir de la mise sous tension de l'appareil).	Ceci ne signalant pas un problème de fonctionnement, continuez à utiliser l'appareil normalement, malgré les tremblements de l'image.
L'image est parasitée.	Si vous transmettez les signaux de l'ordinateur, des parasites peuvent apparaître en arrière-plan de certains écrans suivant le nombre de points des signaux d'entrée et de pixels LCD.	Changez le papier peint du bureau sur l'ordinateur connecté.
L'affichage sur écran n'apparaît pas.	Le paramètre ETAT est réglé sur OFF dans le menu REGLAGE.	Régalez ETAT sur ON dans le menu REGLAGE (voir page 28 (FR)).

Télécommande

Symptôme	Cause	Remèdes
La télécommande ne fonctionne pas.	Les piles de la télécommande sont plates.	Remplacez les piles (<i>voir page 13 (FR)</i>).
	Le câble de télécommande n'est pas raccordé au connecteur CONTROL S IN (projecteur) ou CONTROL S OUT (télécommande).	Raccordez le câble de télécommande au projecteur et à la télécommande ou débranchez le câble (<i>voir page 13 (FR)</i>).
	Le capteur de télécommande avant/arrière se trouve à proximité d'une lampe fluorescente.	Changez le réglage de RECEPTEUR SIRCS dans le menu REGLAGE (<i>voir page 28 (FR)</i>).
	Il n'y a pas de piles dans la télécommande.	Installez des piles (<i>voir page 13 (FR)</i>).

Divers

Symptôme	Cause	Remèdes
L'indicateur LAMP/COVER clignote.	Le couvercle de la lampe ou le filtre à air est mal fixé.	Fixez le couvercle de la lampe ou le filtre à air correctement (<i>voir pages 39 (FR) et 40 (FR)</i>).
L'indicateur LAMP/COVER est allumé.	La lampe a atteint la fin de sa durée de vie utile.	Remplacez la lampe (<i>voir pages 39 (FR) et 40 (FR)</i>).
	La température de la lampe est trop élevée.	Attendez 120 secondes que la lampe ait refroidi et remettez le projecteur sous tension (<i>voir page 20 (FR)</i>).
L'indicateur TEMP/FAN clignote.	Le ventilateur est défectueux.	Consultez le personnel Sony qualifié.
L'indicateur TEMP/FAN est allumé.	La température intérieure est anormalement élevée.	Vérifiez si les orifices de ventilation ne sont pas obstrués. Vérifiez si le filtre à air est obstrué par de la poussière (n'utilisez pas un filtre à air pendant plus de 500 heures).
Les indicateurs LAMP/COVER et TEMP/FAN s'allument.	Le système électrique est tombé en panne.	Consultez le personnel Sony qualifié.

Messages d'avertissement

Consultez la liste ci-dessous pour connaître la signification des messages affichés à l'écran.

Message	Signification	Remèdes
Surchauffe! Lampe OFF 1 min.	La température intérieure est anormalement élevée.	Mettez le projecteur hors tension. Vérifiez si les orifices de ventilation ne sont pas obstrués. Vérifiez si le filtre à air est obstrué par de la poussière (n'utilisez pas un filtre à air pendant plus de 500 heures).
Fréquence est hors limites!	Ce signal d'entrée ne peut être projeté car la fréquence est en dehors de la plage compatible avec ce projecteur.	Entrez un signal dans la plage de fréquences compatible avec ce projecteur.
	Le réglage de la définition du signal de sortie de l'ordinateur est trop élevé.	Régalez sortie XGA (<i>voir page 15 (FR)</i>).
Vérifiez le réglage ENT.A.	Vous avez entré un signal RVB depuis l'ordinateur alors que ENT. A dans le menu REGLAGE est réglé sur COMPOSANT, DTV YPbPr ou DTV GBR.	Régalez correctement ENT. A (<i>voir page 28 (FR)</i>).
Vérifiez le réglage ENT.B.	Vous avez entré un signal RVB depuis l'ordinateur alors que ENT. B dans le menu REGLAGE est réglé sur COMPOSANT, DTV YPbPr ou DTV GBR.	Régalez correctement ENT. B (<i>voir page 28 (FR)</i>).
Remplacer la lampe.	Le moment est venu de remplacer la lampe.	Remplacez la lampe.
Remplacer le filtre.	Le filtre à air est obstrué par de la poussière.	Remplacez le filtre à air.

Messages de mise en garde

Consultez la liste ci-dessous pour connaître la signification des messages affichés à l'écran.

Message	Signification	Remèdes
PAS D'ENTREE	Pas de signal d'entrée	Vérifiez les raccordements d'entrée (<i>voir pages 14 (FR) à 16 (FR)</i>).
Non applicable!	Vous avez appuyé sur une touche incorrecte.	Appuyez sur la touche appropriée.

Spécifications

Caractéristiques optiques

Système de projection

Système de projection à 3
panneaux LCD, 1 objectif

Panneau LCD Panneau LCD p-Si TFT 1,35
pouces 3.147.264 pixels
(1.049.088 pixels × 3)

Objectif Zoom approx. 1,2×
f 44,6 à 53,6 mm/F 2,4 à 2,7

Lampe UHP 200 W

Dimensions de l'image projetée
Plage: 40 à 300 pouces (mesurés
en diagonale)

Flux lumineux 1000 lumen¹⁾ ANSI

Distance de projection
<16:9>
40 pouces: 1260 à 1470 mm
(49 5/8 à 58 pouces)
60 pouces: 1930 à 2240 mm
(76 à 88 1/4 pouces)
80 pouces: 2600 à 3010 mm
(102 3/8 à 118 5/8 pouces)
100 pouces: 3270 à 3780 mm
(128 7/8 à 148 7/8 pouces)
120 pouces: 3930 à 4550 mm
(154 3/4 à 179 1/4 pouces)
150 pouces: 4940 à 5710 mm
(194 5/8 à 224 7/8 pouces)
180 pouces: 5940 à 6860 mm
(234 à 270 1/8 pouces)
200 pouces: 6610 à 7630 mm
(260 3/8 à 300 1/2 pouces)
250 pouces: 8270 à 9560 mm
(325 3/4 à 376 1/2 pouces)
300 pouces: 9940 à 11480 mm
(391 1/2 à 452 1/8 pouces)

<4:3>
40 pouces: 1560 à 1820 mm
(61 1/2 à 71 3/4 pouces)
60 pouces: 2380 à 2760 mm
(93 3/4 à 108 3/4 pouces)
80 pouces: 3200 à 3700 mm
(126 à 145 3/4 pouces)
100 pouces: 4020 à 4650 mm
(158 5/16 à 183 1/8 pouces)
120 pouces: 4830 à 5590 mm
(190 1/4 à 220 1/8 pouces)

150 pouces: 6060 à 7000 mm
(238 5/8 à 275 5/8 pouces)
180 pouces: 7290 à 8420 mm
(287 1/8 à 331 5/8 pouces)
200 pouces: 8100 à 9360 mm
(319 à 368 5/8 pouces)
250 pouces: 10150 à 11720 mm
(399 3/4 à 461 1/2 pouces)
300 pouces: 12190 à 14070 mm
(480 à 554 1/8 pouces)

Caractéristiques électriques

Système couleur Système NTSC_{3.58}/PAL/SECAM/
NTSC_{4.43}/PAL-M/PAL-N, à
commutation automatique/
manuelle

Résolution 750 lignes TV horizontales (entrée
vidéo)
1366 × 768 points (entrée RVB)

Plage acceptable pour les signaux d'ordinateur
fH: 15 à 80 kHz
fV: 50 à 85 Hz

Entrées/sorties

VIDEO IN VIDEO: type RCA
Vidéo composite: 1 Vp-p ±2 dB
sync négative (terminaison à
75 ohms)

S-VIDEO: Y/C miniconnecteur
DIN à 4 broches (femelle)
Y (luminance): 1 Vp-p ±2 dB
sync négative (terminaison à
75 ohms)

C (chrominance): salve
0,286 Vp-p ±2 dB (NTSC)
(terminaison à 75 ohms),
salve 0,3 Vp-p ±2 dB (PAL)
(terminaison à 75 ohms)

INPUT A/B Composant/Composant progressif/
HDTV/RVB:
Type RCA (femelle)
V: 0,7 Vp-p ±2 dB (terminaison
à 75 ohms)
V avec sync/Y: 1 Vp-p ±2 dB
sync négative (terminaison à
75 ohms)
B/CB/PB: 0,7 Vp-p ±2 dB
R/CR/PR: 0,7 Vp-p ±2 dB
(terminaison à 75 ohms)

1) Les lumens ANSI sont une méthode de mesure de l'American National Standards Institute IT 7.228.

	<p>SYNC/HD: Entrée sync composite: 1-5 Vp-p haute impédance, positive/négative Entrée sync horizontale: 1-5 Vp-p haute impédance, positive/négative VD: Entrée sync verticale: 1-5 Vp-p haute impédance, positive/ négative</p>
REMOTE	RS-232C: D-sub à 9 broches (femelle)
CONTROL S IN/PLUG IN POWER	Miniprise stéréo 5 Vp-p, auto- alimenté, 5 V CC
TRIGGER	Mise sous tension: 12 V CC Impédance de sortie de 4,7 kohms Mise hors tension: 0 V
Réglementation de sécurité:	UL, cUL (CSA), FCC Classe B, IC Classe B, NEMKO, CE (LVD/ EMC), C-Tick

Caractéristiques générales

Dimensions	395 × 168 × 427 mm (15 ⁵ / ₈ × 6 ⁵ / ₈ × 16 ⁷ / ₈ pouces) (l/h/p)
Masse	Approx. 8 kg (17 lb 10 oz)
Puissance de raccordement	100 à 240 V CA, 50/60 Hz
Consommation	Max. 300 W (mode de veille: 6 W)
Appel de courant de crête	(1) Mise sous tension (ON), méthode de sondage du courant: 58,0 A (240 V) (2) Mesuré conformément à la norme européenne EN55103-1: 24,3 A (230 V)
Température de service	0 °C à 35 °C (32 °F à 95 °F)
Humidité de service	35 % à 85 % (sans condensation)
Température de stockage	-20 °C à 60 °C (-4 °F à 140 °F)
Humidité de stockage	10 % à 90 %

Accessoires fournis

Télécommande RM-PJW10 (1)
Piles R6 (taille AA) (2)
Bouchon d'objectif (1)
Câble d'alimentation (1)
Filtre cinéma (1)
Filtre à air (de réserve) (3)
Mode d'emploi (1)
CD-ROM (ImageDirector) (1)
Licences de logiciels (1)

La conception et les spécifications sont sujettes à modifications sans préavis.

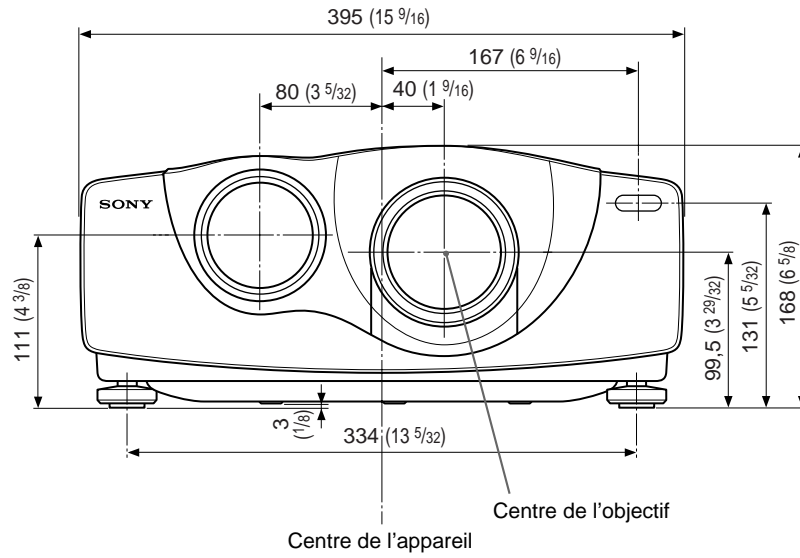
Accessoires en option

Lampe pour projecteur LMP-P201 (de réserve)
Support de suspension pour projecteur PSS-610
Filtre à air PK-VW11FL
Optiques pour projecteur
Optique à focale longue VPLL-ZM101 à grossissement 1,5 ×
Optique à focale courte VPLL-ZM31 à grossissement 1,1 ×

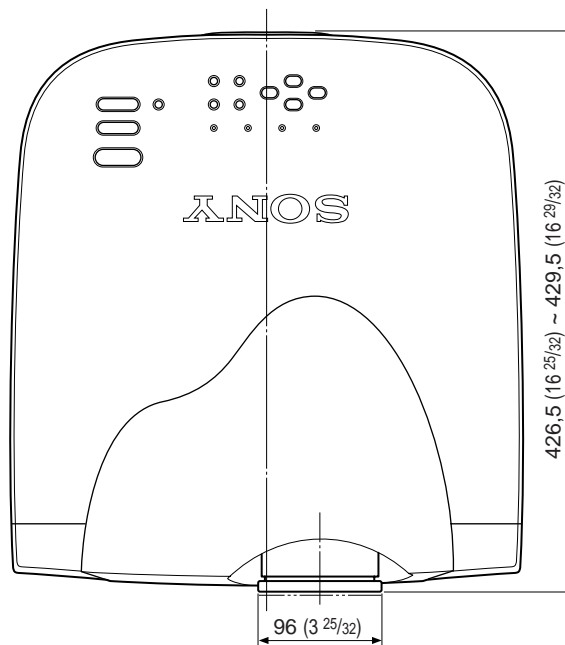
Il est possible que certains de ces accessoires ne soient pas disponibles dans certaines zones géographiques. Pour plus de détails, veuillez consulter votre revendeur Sony.

Dimensions

Avant

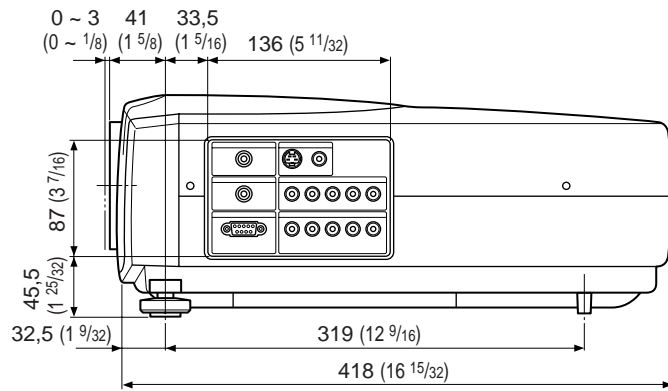


Dessus

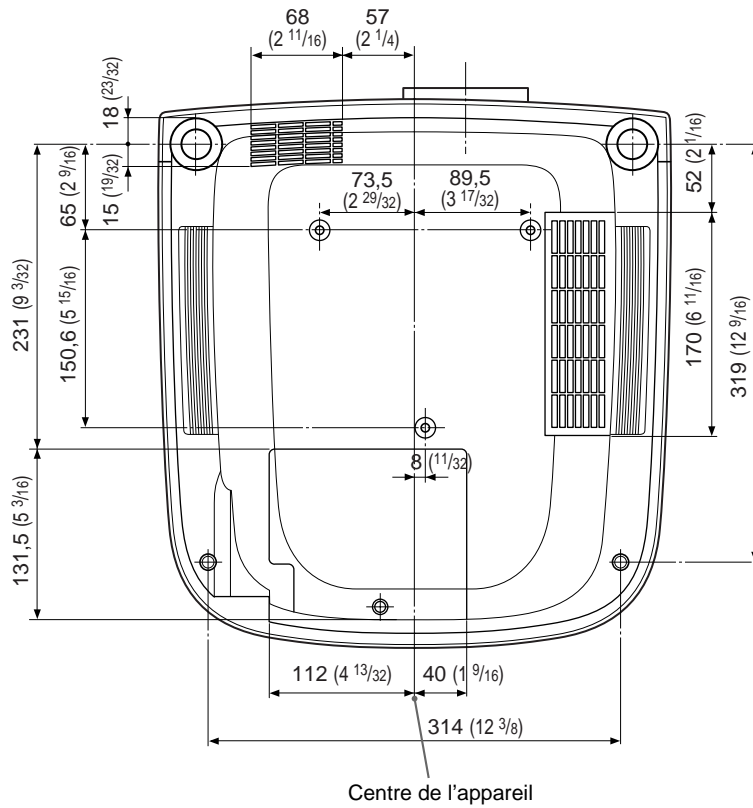


Unité: mm (pouces)

Côté



Bas



Unité: mm (pouces)

Index

A, B

Accessoires en option 45 (FR)
 Accessoires fournis 45 (FR)
 AIRE TITRE 25 (FR)
 Alimentation
 mise hors tension 20 (FR)
 mise sous tension 17 (FR)
 AMPL H 23 (FR)

C

Capteur de télécommande
 arrière 8 (FR)
 avant 8 (FR)
 CINEMA 28 (FR)
 CINEMA NOIR 29 (FR)
 Condensation 37 (FR)
 Connecteur RS-232C 11 (FR)
 CONTRASTE 22 (FR)
 CONV FREQ (convertisseur de fréquence)
 25 (FR)
 COULEUR 22 (FR)
 Coupure de l'image 18 (FR)

D

DEFILEMENT V 25 (FR)
 Dépannage 41 (FR)
 DEPL. 24 (FR)
 Dimensions 46 (FR)
 DRC-MF 23 (FR)
 DUREE LAMPE 29 (FR)

E

Emplacement et fonction des commandes
 arrière/côté droit/dessous 8 (FR)
 avant/côté gauche 8 (FR)
 panneau de commande 10 (FR)
 panneau des connecteurs 11 (FR)
 Télécommande 12 (FR)
 ENT.A 28 (FR)
 ENT.B 28 (FR)
 ETAT (affichage) 28 (FR)
 Exemples d'installation
 au plafond 33 (FR)
 sur le sol 30 (FR)

F, G, H

Filtre à air 40 (FR)
 Filtre cinéma 9 (FR)
 FORMAT 24 (FR)
 Formats d'écran 14 (FR), 30 (FR) –
 35 (FR), 44 (FR)

I, J, K

IMAGE D. (dynamique) 22 (FR)
 INSTALLATION 29 (FR)

L

LANGAGE 28 (FR)
 LUMIERE 22 (FR)

M, N

MEMOIRE TRAPEZ 29 (FR)
 MEMOIRE VIDEO 25 (FR)
 Menu
 désactivation de l'affichage du menu
 17 (FR)
 Menu CTRL IMAGE 22 (FR)
 Menu REGL ENTREE 23 (FR)
 Menu REGL. INSTAL. 29 (FR)
 Menu REGLAGE 28 (FR)
 utilisation du menu 21 (FR)

Messages

avertissements 43 (FR)
 mises en garde 43 (FR)
 Menu CTRL IMAGE 22 (FR)
 Menu REGL ENTREE 23 (FR)
 Menu REGL. INSTAL. 29 (FR)
 Menu REGLAGE 28 (FR)
 MODE ECO 11 (FR), 28 (FR)
 NETTETE 22 (FR)

O

OPTIMISEUR RVB 22 (FR)
 Orifices de ventilation
 prise d'air 8 (FR)
 sortie d'air 8 (FR)

P, Q

PHASE 23 (FR)
 Piles
 installation 13 (FR)
 remarques 13 (FR)
 Précautions 5 (FR)
 Projection 17 (FR)

R

Raccordement
 magnétoscope 14 (FR)
 ordinateur 15 (FR)
 système à composants 14 (FR)
 RECEPTEUR SIRCS 8 (FR), 28 (FR)
 Remarques concernant l'installation
 Conditions d'utilisation déconseillées
 37 (FR)
 Installation déconseillée 37 (FR)
 Remplacement de la lampe 39 (FR)
 Réglage
 de l'image 22 (FR)
 mémoire de réglages 21 (FR)
 taille/déplacement de l'image 23 (FR),
 24 (FR)
 Réglage de la taille de l'image 18 (FR)
 Réinitialisation
 paramètres réglables 21 (FR)
 réinitialisation du filtre à air 40 (FR)
 réinitialisation d'un paramètre 21 (FR)

S

Spécifications 44 (FR)
 STANDARD (Système couleur) 23 (FR)
 Support de suspension pour projecteur
 PSS-610 33 (FR)
 Supports réglables 9 (FR)

T, U, V, W, X, Y, Z

TEINTE 22 (FR)
 Télécommande
 emplacement et fonction des
 commandes 12 (FR)
 installation des piles 13 (FR)
 TEMP COULEU 22 (FR)
 TRAPEZE NUMER 29 (FR)

ADVERTENCIA

Para evitar el riesgo de incendios o electrocución, no exponga la unidad a la lluvia ni a la humedad.

Para evitar descargas eléctricas, no abra el aparato. Solicite asistencia técnica únicamente a personal especializado.

Para los usuarios en Europa

Este producto con la marca CE cumple con las Directivas EMC (89/336/CEE) y de Baja Tensión (73/23/CEE) emitidas por la Comisión de la Comunidad Europea.

El cumplimiento de estas directivas implica la conformidad con los siguientes estándares europeos:

- EN60950: Producto seguro
- EN55103-1: Interferencias electromagnéticas (Emisión)
- EN55103-2: Susceptibilidad electromagnética (Inmunidad)

Este producto está destinado a emplearse en los siguientes entornos electromagnéticos:

E1 (residenciales), E2 (comerciales e industria ligera), E3 (en exteriores urbanos) y E4 (entornos con control EMC, por ejemplo, estudios de TV).

La toma mural debe estar instalada cerca del equipo y debe accederse a ésta con facilidad.

Advertencia sobre la conexión de alimentación

Utilice un cable de alimentación apropiado para el suministro de alimentación local.

	Estados Unidos, Canadá		Europa continental		Reino Unido, Irlanda, Australia, Nueva Zelanda	Japón
Tipo de enchufe	VM0233	290B	YP-12A	COX-07	— ¹⁾	YP332
Extremo hembra	VM0089	386A	YC-13B	COX-02	VM0310B	YC-13
Tipo de cable	SJT	SJT	H05VV-F	H05VV-F	N13237/CO-228	VCTF
Corriente y tensión nominal	10A/125V	10A/125V	10A/250V	10A/250V	10A/250V	7A/125V
Homologación de seguridad	UL/CSA	UL/CSA	VDE	VDE	VDE	DENANHOU
Longitud del cable (máx.)	4,5m	4,5m	—	—	—	—

1) Utilice el enchufe apropiado para su país.

Índice

Descripción general

Precauciones	5 (ES)
Características	6 (ES)
Ubicación y función de los controles	8 (ES)
Lateral frontal/izquierdo	8 (ES)
Lateral posterior/derecho/base	8 (ES)
Panel de control	10 (ES)
Panel de conectores	11 (ES)
Mando a distancia	12 (ES)

Instalación y proyección

Instalación del proyector	14 (ES)
Conexión del proyector	14 (ES)
Conexión con una videgrabadora/equipo RGB de 15k/componente/componente progresivo	14 (ES)
Conexión con un ordenador	15 (ES)
Selección del idioma del menú	16 (ES)
Proyección	17 (ES)

Realización de ajustes mediante el menú

Uso del menú	21 (ES)
Menú CTRL IMAGEN	22 (ES)
Menú AJUS ENTRAD	23 (ES)
Menú AJUSTE	28 (ES)
Menú AJUSTE INST	29 (ES)

Instalación

Ejemplos de instalación	30 (ES)
Instalación en el suelo	30 (ES)
Instalación en el techo	33 (ES)
Notas para la instalación	37 (ES)
Instalación inadecuada	37 (ES)
Condiciones de uso inadecuadas	37 (ES)

Mantenimiento

Mantenimiento	39 (ES)
Sustitución de la lámpara	39 (ES)
Sustitución del filtro de aire!	40 (ES)
Solución de problemas	41 (ES)

Otros

Especificaciones	44 (ES)
Índice alfabético	48 (ES)

Precauciones



Seguridad

- Compruebe que la tensión de funcionamiento de la unidad sea la misma que la del suministro eléctrico local.
- Si se introduce algún objeto sólido o líquido en la unidad, desenchúfela y haga que sea revisada por personal especializado antes de volver a utilizarla.
- Desenchufe la unidad de la toma mural cuando no vaya a utilizarla durante varios días.
- Para desconectar el cable, tire del enchufe. Nunca tire del propio cable.
- La toma mural debe encontrarse cerca de la unidad y ser de fácil acceso.
- La unidad no estará desconectada de la fuente de alimentación de CA (toma de corriente) mientras esté conectada a la toma mural, aunque haya apagado la propia unidad.
- **No mire al objetivo** mientras la lámpara esté encendida.
- No coloque la mano ni objetos cerca de los orificios de ventilación, ya que el aire que sale es caliente.
- **Tenga cuidado de no pillarse los dedos con los ajustadores** cuando levante el proyector. No ejerza excesiva presión sobre la parte superior del proyector con los ajustadores fuera.

Iluminación

- Con el fin de obtener imágenes con la mejor calidad posible, la parte frontal de la pantalla no debe exponerse a la luz solar ni a iluminaciones directas.
- Se recomienda instalar un foco en el techo. Cubra las lámparas fluorescentes para evitar la disminución de la relación de contraste.
- Cubra con tela opaca las ventanas que estén orientadas hacia la pantalla.
- Es recomendable instalar el proyector en una sala cuyo suelo y paredes no se compongan de materiales que reflejen la luz. Si el suelo y las paredes se componen de dicho tipo de material, se recomienda cambiar el color de éstos por uno oscuro.

Prevención del calentamiento interno

Después de desactivar la alimentación con la tecla  del mando a distancia o la tecla  del panel de control, no desconecte la unidad de la toma mural mientras el ventilador de enfriamiento se encuentre en funcionamiento.

No bloquee los orificios de ventilación

El proyector está equipado con orificios de ventilación de aspiración en la base y de exhaustación en la parte frontal. **No bloquee dichos orificios ni coloque nada cerca de ellos**, ya que si lo hace puede producirse recalentamiento interno, causando el deterioro de la imagen o daños al proyector.

Limpieza

- Para mantener el exterior como nuevo, límpielo periódicamente con un paño suave. Las manchas persistentes pueden eliminarse con un paño ligeramente humedecido en una solución detergente poco concentrada. No utilice nunca disolventes concentrados, como diluyente, bencina o limpiadores abrasivos, ya que dañarán el exterior.
- Evite tocar el objetivo. Utilice un paño seco y suave para eliminar el polvo del objetivo. No utilice un paño húmedo, soluciones detergentes ni diluyentes.

Embalaje

Guarde la caja y los materiales de embalaje originales, ya que resultarán útiles cuando tenga que embalar la unidad. Para obtener una máxima protección, vuelva a embalar la unidad cómo fue embalada originalmente en fábrica.

Proyector LCD

- El proyector LCD está fabricado con tecnología de alta precisión. No obstante, es posible que aparezcan continuamente pequeños puntos negros y/o brillantes (rojos, azules o verdes) en dicho proyector. Se trata de un resultado normal del proceso de fabricación y no indica ningún fallo de funcionamiento.
- El ambiente contaminado por el humo del tabaco, etc. puede tener efectos negativos en el proyector. Evite que el humo de tabaco, etc. entre en la unidad. Cuando utilice la unidad en una habitación cerrada, ventílela bien.

Características

Alto brillo y alta calidad de imagen

- **Nuevo panel LCD amplio**

El panel LCD amplio de alta resolución y reciente creación (1366 × 768 puntos) proporciona una mayor uniformidad y reducción de imágenes fantasma.

- **Alto contraste**

Las mejoras en el panel LCD y el sistema óptico proporcionan imágenes de alto contraste.

- **Alto brillo – 1000 ANSI lumens**

El panel LCD con su nueva lámpara UHP de 200 W, nueva unidad óptica y nuevo objetivo proporciona un nivel de brillo de hasta 1000 ANSI lumens (proyección 16:9), permitiendo una mejor visualización en el hogar.

- **Imagen de alta calidad**

Además del nuevo panel LCD amplio, el proyector dispone de varias funciones. Se incluyen las funciones DRC-MF (Multifunción de creación de realidad digital) (tecnología de imagen de alta calidad propiedad de Sony); MOV CINE; Corrección gamma 3-D, que proporciona una excelente uniformidad; Modo Cine Negro, que reduce el nivel de negro en función del entorno de fuente/proyección de entrada; y separación YC 3-D/DNR (NTSC), que reproduce imágenes claras sin ruido.

Alta adaptabilidad en hogares

- **Reducción de ruido**

La abertura de exhaustación de la parte frontal está conectada a un ventilador interno y a un conducto de aire. Esto significa que la distancia del ventilador a la abertura de exhaustación es grande, reduciéndose así el ruido del ventilador en gran medida.

- **Ajuste flexible**

El objetivo de proyección tiene un enfoque de corta distancia (254 cm a 3,3 m) y una relación de aspecto de 16:9. La función de corrección de distorsión trapezoidal digital permite proyectar con un amplio ángulo. El color blanco del proyector se adapta a cualquier color (techo, paredes, etc.).

- **Detección de obstrucciones en el filtro de aire**

Este proyector utiliza un filtro de aire que permite a un microprocesador detectar la presencia de obstrucciones en el filtro en función del entorno en el que se utiliza la unidad.

Para detectar las obstrucciones con precisión, **reponga el filtro de aire la primera vez que utilice el proyector**, y cada vez después de haberlo substituido.

Con respecto a los detalles, consulte “Para reponer el filtro” de la página 40 (ES).

Pantalla panorámica/DTV/Televisión de alta definición

- **Pantalla panorámica**

Este proyector utiliza un panel LCD con relación de aspecto 16:9, permitiendo emplear siete modos de pantalla (ZOOM, COMPLETO, SUBTITULO, ZOOM AMPLI, etc.) utilizando todos los píxeles del panel (1366 × 768). Ofrece el modo NORMAL DIRECTO y el modo COMPLETO DIRECTO para reproducir una imagen nítida con correlación uno a uno.

- **Televisión de alta definición, DVD, DTV**

La imagen super precisa del proyector supera los 3,14 millones de píxeles. También es compatible con las señales de televisión de alta definición y DTV (TV digital) de próxima generación. En combinación con un sintonizador o con un decodificador MUSE (opcionales), es posible disfrutar de televisión de alta definición, DTV, LD de alta definición, etc.

Memoria de vídeo

El proyector dispone de una función de memoria de vídeo. El usuario puede almacenar hasta 6 ajustes (calidad de imagen, aspecto, temperatura del color, DRC-MF, etc.) en función de la fuente de entrada. Igualmente, el usuario puede recuperar directamente cualquier ajuste mediante el mando a distancia.

Corrección de gama

Puede utilizar el software de control de gama (“ImageDirector”)¹⁾ que se suministra con el proyector para ajustar los valores R, V y A de manera independiente.

Para obtener instrucciones sobre cómo utilizar ImageDirector, consulte las instrucciones de funcionamiento que se incluyen en el CD-ROM suministrado con el proyector.

1) Este software no puede utilizarse con el sistema operativo de Macintosh.

Compatibilidad Multiscan

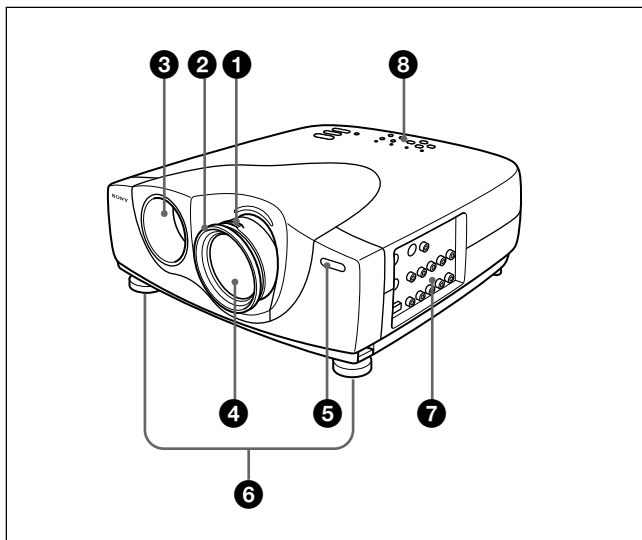
- **Convertidor de exploración incorporado**
Este proyector dispone de un convertidor de exploración incorporado que convierte la señal de entrada para una imagen de 1366 × 768 píxeles.
 - **Compatible con 16:9 RGB¹⁾**
Este proyector es compatible con la relación de aspecto 16:9 RGB.
 - **Señales de entrada**
El proyector puede admitir las siguientes señales de vídeo: Compuestas, S vídeo, componente, componente progresivo, DTV (480i/p, 720p/1080i), HDTV, RGB de 15k, VGA, SVGA, XGA y SXGA.
 - **Compatible con seis sistemas de color**
Es posible seleccionar automática o manualmente el sistema de color NTSC^{3,58}, PAL, SECAM, NTSC^{4,43²⁾}, PAL-M o PAL-N.
-
- VGA, SVGA, XGA y SXGA son marcas comerciales registradas de International Business Machines Corporation, EE.UU.
 - VESA es una marca comercial registrada de Video Electronics Standards Association.
 - IBM® y PC/AT son una marca comercial y una marca comercial registrada de International Business Machines Corporation, EE.UU.
 - Macintosh es una marca registrada de Apple Computer, Inc.

1) Compatible con las señales especificadas solamente.

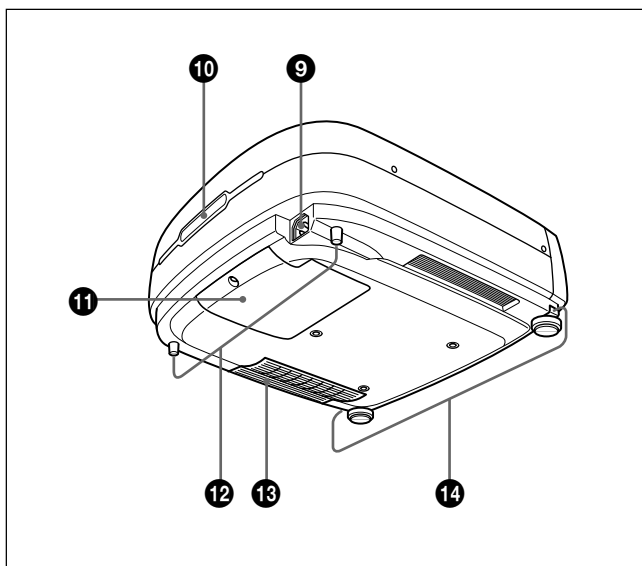
2) NTSC^{4,43} es el sistema de color utilizado para reproducir vídeos grabados en NTSC en una videogradora de sistema NTSC^{4,43}.

Ubicación y función de los controles

Lateral frontal/izquierdo



Lateral posterior/derecho/base



1 Anillo de zoom

Ajusta el tamaño de la imagen.

2 Anillo de enfoque

Ajusta el enfoque de la imagen.

3 Orificios de ventilación (exhaustación)

4 Objetivo

Retire la tapa del objetivo antes de realizar la proyección.

5 Detector frontal de control remoto (receptor SIRCS)

6 Ajustadores

Si alguna imagen se proyecta fuera de la pantalla, ajuste la imagen utilizando estos ajustadores.

Para obtener información detallada sobre cómo emplear los ajustadores, consulte “Cómo utilizar el ajustador” en la página 9 (ES).

7 Panel de conectores

Para más información, consulte “Panel de conectores” en la página 11 (ES).

8 Panel de control

Para obtener información detallada, consulte “Panel de control” en la página 10 (ES).

9 Receptáculo AC IN

Conecta el cable de alimentación de CA suministrado.

10 Detector posterior de control remoto (receptor SIRCS)

11 Cubierta de la lámpara

12 Ajustadores posteriores

13 Orificios de ventilación (aspiración)/filtro de aire

Acerca de los orificios de ventilación

Notas

- No coloque nada cerca de los orificios de ventilación, ya que puede producirse recalentamiento interno. No acerque las manos a los orificios de ventilación, ya que podría quemarse.
- Para detectar con precisión las obstrucciones, reponga el filtro de aire la primera vez que utilice el proyector, y cada vez después de haberlo substituido.
- Para asegurar el rendimiento óptimo, **sustituya y reponga el filtro de aire cuando se visualice un mensaje de advertencia en la pantalla.** Este filtro de aire no puede limpiarse. **Usted deberá reponer el filtro de aire cuando vaya a utilizar el proyector por primera vez.**

Para obtener información detallada, consulte “Sustitución del filtro de aire!” en la página 40 (ES).

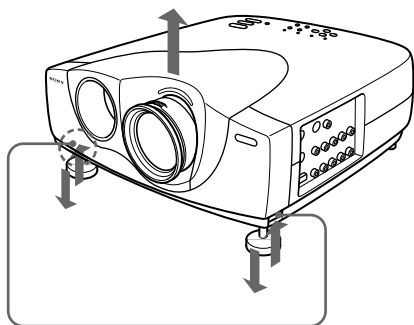
14 Botones de ajustador

Cómo utilizar el ajustador

Para ajustar la altura

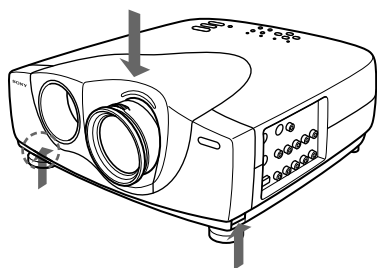
Ajuste la altura del proyector de la siguiente forma:

- 1 Levante el proyector y pulse los botones de ajustador. Los ajustadores se extenderán a partir del proyector.

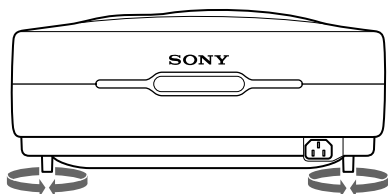


Botones de ajustador

- 2 Ajuste la altura mientras pulsa los botones. A continuación, deje de pulsar los botones. Los ajustadores se bloquearán, por lo que la altura del proyector se fijará. Para ajustar con precisión, gire los ajustadores a la derecha o a la izquierda.



- 3 Si es necesario, gire los ajustadores posteriores a la derecha o a la izquierda para ajustar la altura del proyector.



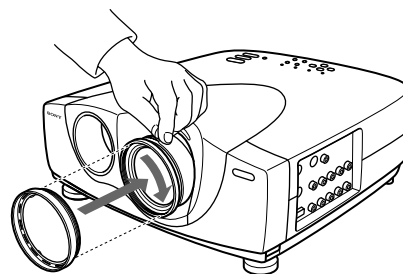
Notas

- Tenga cuidado de que el proyector no se caiga sobre sus dedos.
- No ejerza excesiva presión sobre la parte superior del proyector con los ajustadores fuera.
- Si los ajustadores del proyector no se extienden aunque haya pulsado los botones del ajustador, aflójelos manualmente.
- Si transporta el proyector con los ajustadores extendidos, es posible que éstos se dañen. Transporte el proyector únicamente después de haber retraído los ajustadores.

Cómo utilizar el filtro de cine suministrado

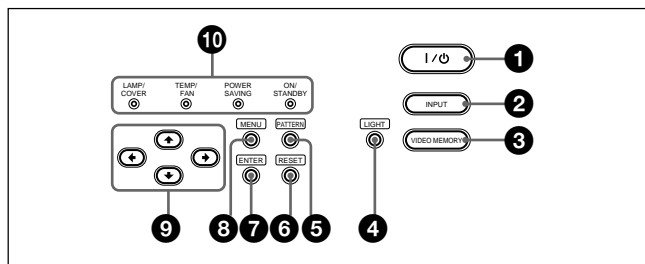
El contraste se puede ajustar con la instalación del filtro de cine suministrado según se indica a continuación.

- 1 Desactive la alimentación y desconecte el cable de alimentación.
- 2 Alinee el tornillo del filtro con el hilo alrededor del objetivo del proyector, según se indica a continuación. Sujete el anillo de enfoque en su lugar y gire el filtro en el sentido de las agujas del reloj.



Filtro de cine

Panel de control



1 Tecla I / ⏻ (encendido / espera)

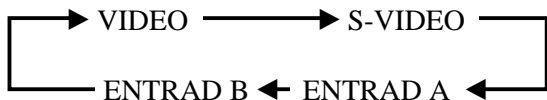
Enciende y apaga el proyector cuando éste se encuentra en el modo de espera. (Si el proyector se encuentra en modo de espera, el indicador ON/STANDBY se ilumina en rojo.) El indicador ON/STANDBY se iluminará en verde al activar la alimentación.

Para desactivar la alimentación, pulse la tecla I / ⏻ dos veces siguiendo el mensaje en pantalla, o pulse y mantenga pulsada la tecla durante un segundo aproximadamente.

Para obtener información detallada sobre los pasos para desactivar la alimentación, consulte “Para desactivar la alimentación” en la página 20 (ES).

2 Tecla INPUT

Selecciona la señal de entrada. Cada vez que pulse la tecla, la señal de entrada cambiará de la siguiente forma:



3 Tecla VIDEO MEMORY

Es posible ajustar la imagen previamente y almacenar el ajuste en la tecla VIDEO MEMORY 1 a 6. Es posible recuperar dicho ajuste pulsando esta tecla. Al pulsar esta tecla, se seleccionan los números de memoria 1 a 6. Cuando se sigue pulsando, se selecciona NO y, a continuación, comienza de nuevo a partir de 1. Es posible ajustar, cambiar y ver la imagen fácilmente en el valor más adecuado.

Para obtener información detallada sobre cómo ajustar la memoria de vídeo, consulte MEMORIA VIDEO del menú AJUS ENTRAD en la página 25 (ES).

4 Tecla LIGHT

Si pulsa esta tecla mientras la alimentación está activada, las teclas del panel de control aparecerán en naranja.

Pulse de nuevo esta tecla para desactivar la iluminación.

La iluminación se desactivará automáticamente si no utiliza ninguna tecla durante 30 segundos.

5 Tecla PATTERN

Muestra el patrón de prueba en pantalla para realizar el ajuste de enfoque. Vuelva a pulsarla para que el patrón de prueba desaparezca.

6 Tecla RESET

Restaura el valor definido de fábrica de un elemento. Esta tecla funciona cuando el menú o un elemento de ajuste se muestra en pantalla.

7 Tecla ENTER

Introduce los ajustes de los elementos del sistema de menú.

8 Tecla MENU

Muestra el menú en pantalla. Vuelva a pulsarla para que el menú desaparezca.

9 Teclas de flecha (↑/↓/←/→)

Se utilizan para seleccionar el menú o para realizar diversos ajustes.

10 Indicadores

LAMP/COVER: Se ilumina o parpadea en las siguientes condiciones:

- Se ilumina cuando la lámpara llega al final de su duración o la lámpara no se enciende debido a la alta temperatura de la misma.
- Parpadea cuando la cubierta de la lámpara o el filtro de aire no está firmemente asegurada.

Para obtener más detalles, consulte Solución de problemas en la página 42 (ES).

TEMP (Temperatura)/FAN: Se ilumina o parpadea en las siguientes condiciones:

- Se ilumina cuando la temperatura del interior del proyector es inusualmente alta.
- Parpadea cuando el ventilador está averiado.

Para obtener más detalles, consulte Solución de problemas en la página 42 (ES).

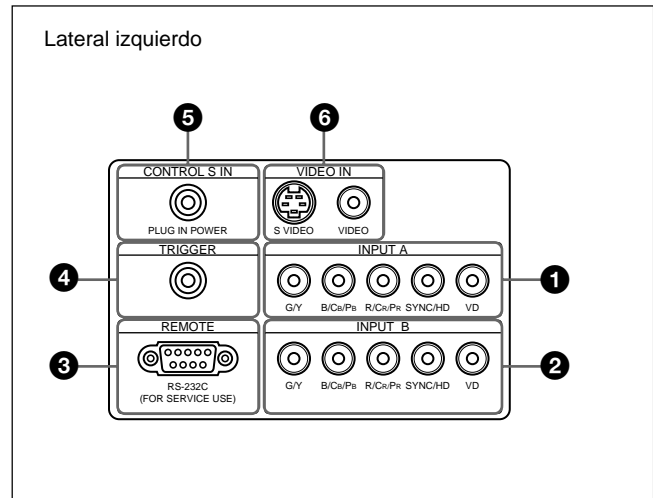
POWER SAVING: Se ilumina cuando el proyector se encuentra en el modo de ahorro de energía. Si **AHORRO ENERGIA** del menú **AJUSTE** está ajustado en **SI**, el proyector entrará en el modo de ahorro de energía si no se introduce ninguna señal o si no se utiliza ninguna tecla durante 10 minutos. Aunque la lámpara se apague, el ventilador de enfriamiento seguirá funcionando. El modo de ahorro de energía se cancela al introducirse alguna señal o al pulsar cualquier tecla. No obstante, en el modo de ahorro de energía, no funciona ninguna tecla durante los primeros 40 segundos.

ON/STANDBY: Se ilumina o parpadea en las siguientes condiciones:

- Se ilumina en rojo cuando el cable de alimentación de CA se conecta a la toma de alimentación. Una vez en el modo de espera, podrá encender el proyector con la tecla **I / ⏻**.
- Se ilumina en verde cuando la alimentación está activada.
- Parpadea en verde mientras el ventilador de enfriamiento funciona tras desactivar la alimentación con la tecla **I / ⏻**. El ventilador funciona durante aproximadamente 120 segundos tras desactivar la alimentación. El indicador **ON/STANDBY** parpadea rápidamente durante los primeros 40 segundos de este período. Durante estos primeros 40 segundos, no es posible activar de nuevo la alimentación con la tecla **I / ⏻**.

*Para obtener información detallada sobre los indicadores **LAMP/COVER** y **TEMP/FAN**, consulte la página 42 (ES).*

Panel de conectores



1 Conectores INPUT A

Conectores G/Y, B/Cb/Pb, R/Cr/Pr, SYNC/HD, VD (tipo fonográfico):

Se conectan a la salida RGB del equipo.

Según el equipo conectado, se seleccionará la señal de ordenador, componente (Y/Cb/Cr), HDTV o DTV (DTV GBR, DTV YPbPr).

2 Conectores INPUT B

Conectores G/Y, B/Cb/Pb, R/Cr/Pr, SYNC/HD, VD (tipo fonográfico):

Se conectan a la salida RGB del equipo.

Según el equipo conectado, se seleccionará la señal de ordenador, componente (Y/Cb/Cr), HDTV o DTV (DTV GBR, DTV YPbPr).

3 Conector REMOTE (RS-232C) (D-sub de 9 pines, hembra):

Se trata de un conector de servicio. Si la unidad se conecta a un ordenador a través de este conector, puede utilizar el software ImageDirector que se proporciona en el CD-ROM suministrado con el proyector para ajustar los valores gama del proyector. *Para obtener información detallada, consulte las instrucciones de funcionamiento que se proporcionan en el CD-ROM suministrado con el proyector.*

4 Conector TRIGGER (minitoma)

Envía la condición de encendido o de desactivado de la unidad al equipo externo.

Cuando la unidad está apagada, se envían 0 V, mientras que cuando está encendida, se envían 12 V. No obstante, puesto que la alimentación no se envía, no podrá utilizar el conector como fuente de alimentación.

5 Toma CONTROL S IN (PLUG IN POWER) (salida de CC de 5 V) (minitoma estéreo)

Se conecta a las tomas de salida de control S del equipo Sony.

Se conecta a la toma CONTROL S OUT del mando a distancia suministrado cuando se emplea con cable.

En este caso, no es preciso instalar las pilas en dicho mando, ya que esta toma suministra la alimentación.

Si se utiliza este conector, el indicador de teclas del mando a distancia no se encenderá.

6 Conectores VIDEO IN

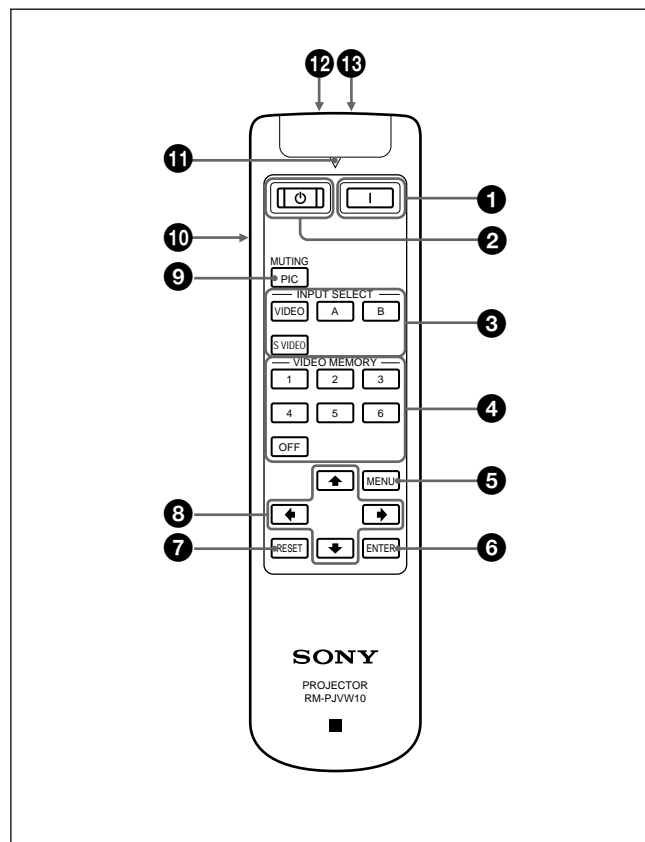
Conéctelas a un equipo externo de vídeo, como una videgrabadora.

S VIDEO (mini DIN de 4 pines): Se conecta a la salida de S vídeo (salida de vídeo Y/C) de un equipo de vídeo.

VIDEO (tipo fonográfico): Se conecta a la salida de vídeo compuesta de un equipo de vídeo.

Mando a distancia

Las teclas que tienen los mismos nombres a las del panel de control funcionan de la misma forma.



1 Tecla I (encendido)

Pulse esta tecla para encender el proyector. (Se asume que dicho proyector se encuentra en el estado de espera.)

2 Tecla ⏻ (desactivado)

Pulse esta tecla para desactivar la alimentación inmediatamente.

3 Teclas INPUT SELECT

Seleccionan la señal de entrada.

VIDEO: Selecciona la señal del equipo conectado al conector VIDEO del proyector.

S VIDEO: Selecciona la señal del equipo conectado al conector S VIDEO del proyector.

A: Selecciona la señal de vídeo del equipo conectado a los conectores INPUT A.

B: Selecciona la señal de vídeo del equipo conectado a los conectores INPUT B.

4 Teclas VIDEO MEMORY

Es posible almacenar un ajuste de imagen en una de las teclas VIDEO MEMORY (1 – 6). Igualmente, es posible recuperar dicho ajuste directamente pulsando la tecla apropiada.

Para obtener información detallada sobre cómo ajustar la memoria de vídeo, consulte MEMORIA VIDEO del menú AJUS ENTRAD en la página 25 (ES).

5 Tecla MENU**6 Tecla ENTER****7 Tecla RESET****8 Teclas de flecha (↑/↓/←/→)****9 Tecla MUTING PIC**

Desactiva la imagen. Vuelva a pulsarla para recuperar la imagen.

10 Interruptor LIGHT

Al pulsar este interruptor se activa la iluminación de las teclas del mando a distancia. Al volver a pulsarlo, dicha iluminación se desactiva. Si no se utiliza ninguna tecla, la iluminación se desactivará automáticamente transcurridos 30 segundos.

Instale las dos pilas en el mando a distancia cuando utilice la iluminación de las teclas.

11 Indicador de transmisión

Se ilumina al pulsar alguna tecla del mando a distancia.

12 Toma CONTROL S OUT (minitoma estéreo)

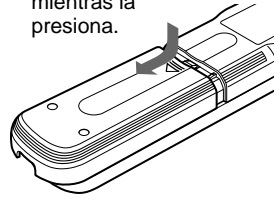
Se conecta a la toma CONTROL S IN del proyector con el cable de conexión (no suministrado) cuando se utiliza el mando a distancia con cable. En este caso, no es preciso instalar las pilas, ya que la alimentación se suministra mediante la toma CONTROL S IN del proyector.

Si no instala las pilas, la iluminación de las teclas del mando a distancia no se encenderá.

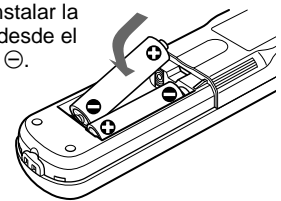
13 Transmisor infrarrojo**Instalación de las pilas**

- 1 Empuje y deslice la tapa para abrirla y, a continuación, instale dos pilas R6 (tamaño AA) (suministradas) con la polaridad correcta.

Deslice la tapa mientras la presiona.



Asegúrese de instalar la pila desde el lado ⊖.



- 2 Vuelva a colocar la tapa.

Notas sobre las pilas

- Compruebe que la orientación de las pilas es correcta cuando las inserte.
- No mezcle pilas usadas con nuevas, ni diferentes tipos de pilas.
- Cuando no vaya a emplear el mando a distancia durante mucho tiempo, extraiga las pilas para evitar daños por fugas de las mismas. Si se producen fugas de las pilas, extráigalas, limpie y seque el compartimiento de las mismas y sustitúyalas por unas nuevas.

Notas sobre el empleo del mando a distancia

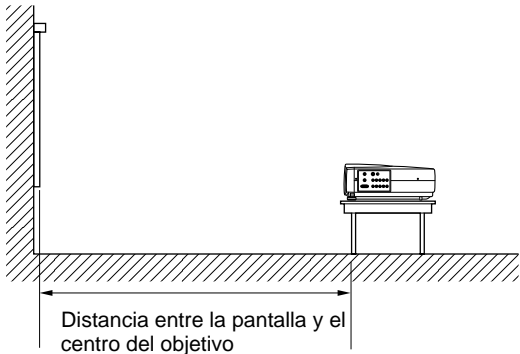
- Compruebe que nada obstruye el haz infrarrojo entre el mando a distancia y el detector de control remoto del proyector.
- El margen de operación es limitado. Cuanto menor sea la distancia entre el mando y el proyector, mayor será el ángulo de control del mando sobre el proyector.
- Instale las pilas para que se active la iluminación de las teclas al emplear el mando a distancia con cable.

Nota

Si el mando a distancia provoca fallos de funcionamiento, consulte con personal de Sony especializado. Dicho mando se sustituirá por otro nuevo en función de la garantía.

Instalación del proyector

En esta sección se describe cómo instalar el proyector.



Distancia entre la pantalla y el centro del objetivo

La distancia entre el objetivo y la pantalla varía en función del tamaño de ésta. Utilice la siguiente tabla como referencia. (Para obtener más detalles, consulte "Ejemplos de instalación" en la página 30 (ES).)

Unidad: m (pies)

Tamaño de pantalla 16:9 (pulgadas)	40	60	80	100	120	150	200	300
Distancia mínima	1,3 (4,1)	1,9 (6,3)	2,6 (8,5)	3,3 (10,7)	3,9 (12,9)	4,9 (16,2)	6,6 (21,7)	9,9 (32,6)
Distancia máxima	1,5 (4,8)	2,2 (7,4)	3,0 (9,8)	3,8 (12,4)	4,6 (14,9)	5,7 (18,7)	7,6 (25,0)	11,5 (37,7)

Tamaño de pantalla 4:3 (pulgadas)	40	60	80	100	120	150	200	300
Distancia mínima	1,6 (5,1)	2,4 (7,8)	3,2 (10,5)	4,0 (13,2)	4,8 (15,9)	6,1 (19,9)	8,1 (26,6)	12,2 (40,0)
Distancia máxima	1,8 (6,0)	2,8 (9,1)	3,7 (12,3)	4,7 (15,4)	5,6 (18,3)	7,0 (23,0)	9,4 (30,8)	14,1 (46,2)

Conexión del proyector

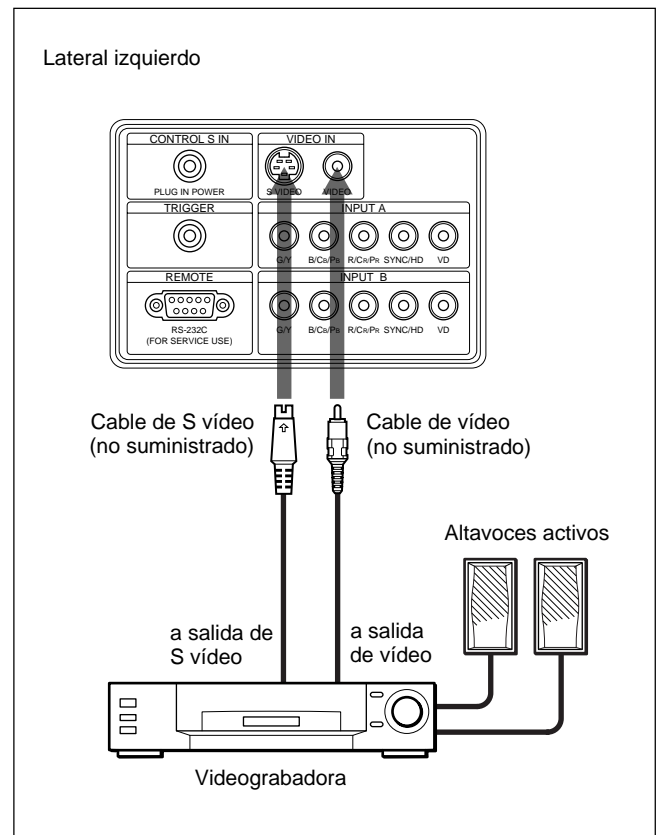
Quando realice las conexiones, asegúrese de realizar lo siguiente:

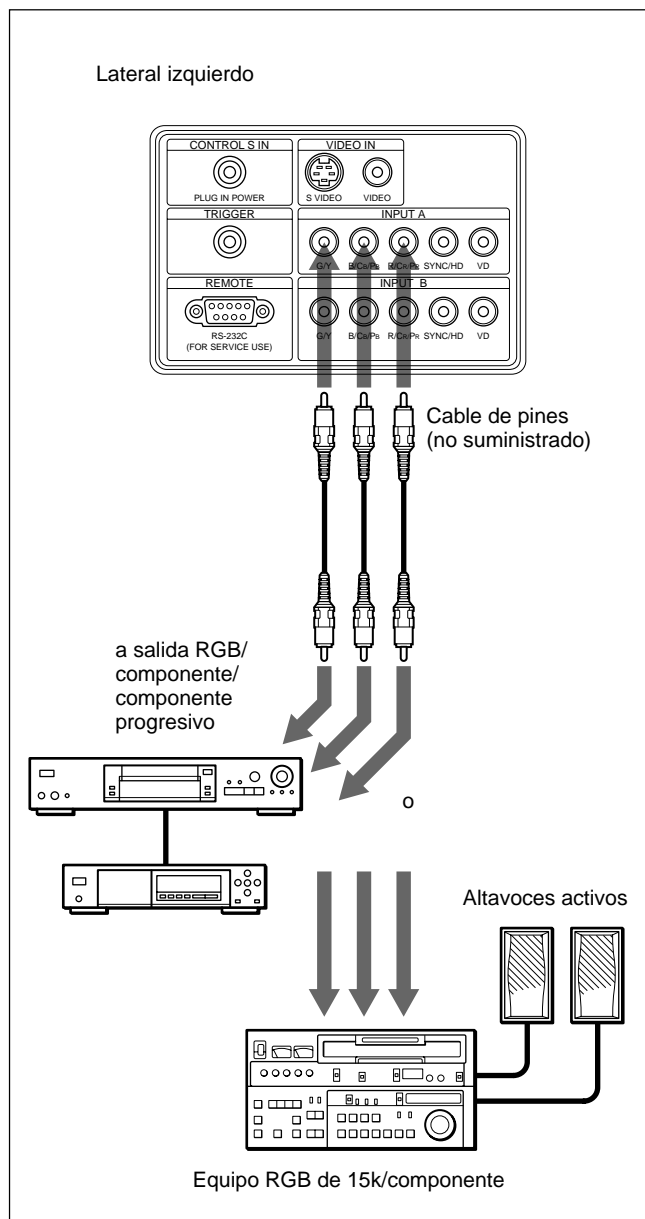
- Apagar todos los equipos antes de realizar cualquier conexión.
- Utilizar los cables apropiados para cada conexión.
- Insertar los enchufes de los cables adecuadamente. A menudo, los enchufes no insertados por completo producen ruido. Cuando desconecte un cable, asegúrese de tirar del enchufe, no del propio cable.

Conexión con una videograbadora/ equipo RGB de 15k/componente/ componente progresivo

En esta sección se describe cómo conectar el proyector con una videograbadora, altavoces activos externos y equipos RGB de 15k /componente/ componente progresivo.

Para más información, consulte el manual de instrucciones del equipo que conecte.





Conexión con un ordenador

En esta sección se describe cómo conectar el proyector a un ordenador.

(Si desea obtener un ejemplo de conexión más detallado, consulte la página siguiente.)

Seleccione “ORDENADOR” en ENTRAD A o ENTRAD B del menú AJUSTE.

Notas

- El proyector admite señales VGA, SVGA, XGA y SXGA. Sin embargo, recomendamos que establezca el modo de salida del ordenador en el modo XGA para el monitor externo.
- Si ajusta el ordenador, como por ejemplo de tipo portátil, para que envíe la señal a la pantalla del mismo y al monitor externo, la imagen de dicho monitor puede no aparecer correctamente. Ajuste el ordenador para que envíe la señal solamente al monitor externo.

Para más información, consulte el manual de instrucciones suministrado con el ordenador.

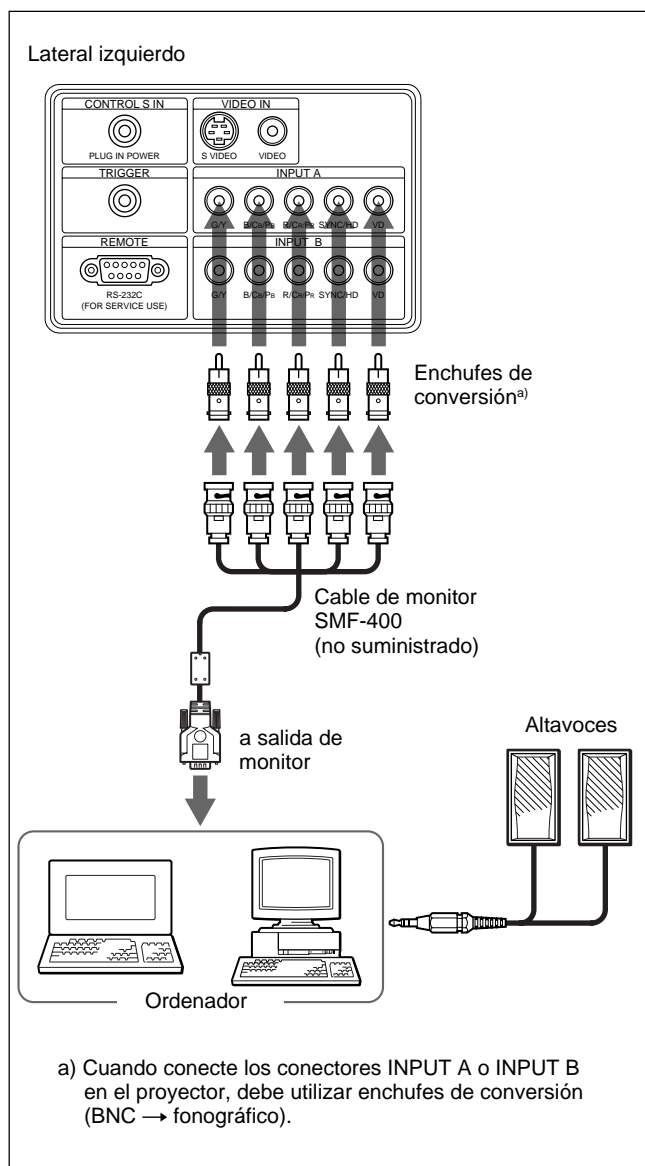
- Conecte todos los cables de conexión al conector INPUT A cuando introduzca una señal del conector INPUT A.

Conecte todos los cables de conexión al conector INPUT B cuando introduzca también una señal del conector INPUT B.

Notas

- Ajuste la relación de aspecto mediante ASPECTO del menú AJUS ENTRAD en función de la señal de entrada.
- Para conectar un equipo RGB de 15k/componente/componente progresivo, seleccione ORDENADOR/COMPONENTE/DTV YPbPr/DTV GBR en ENTRAD A o ENTRAD B del menú AJUSTE de acuerdo con la señal de entrada.
Para obtener información detallada sobre el ajuste, consulte la página 28 (ES).
- Es posible conectar un equipo de alta definición. El método de conexión es el mismo que el mostrado anteriormente.

Cuando conecte un ordenador

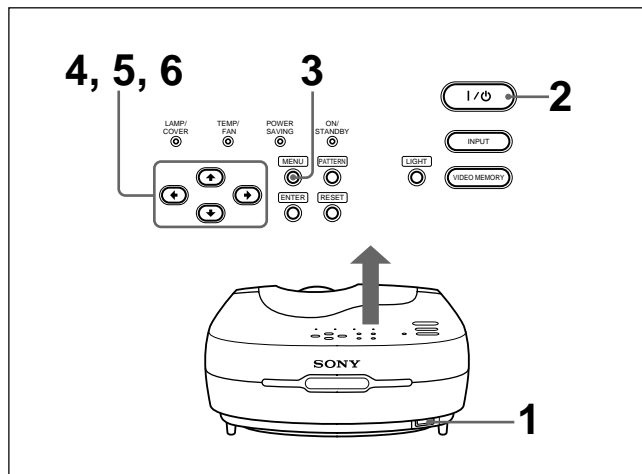


Para conectar un ordenador Macintosh

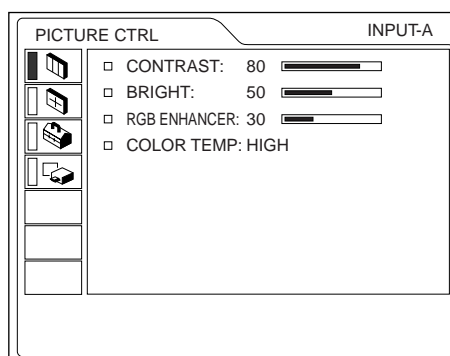
Si instala un conector de salida de vídeo con una configuración de dos líneas de pines, utilice el adaptador adecuado para ese tipo de conector (no suministrado).

Selección del idioma del menú

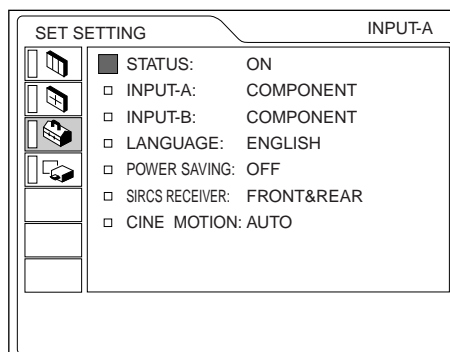
Es posible seleccionar el idioma para el menú y demás indicaciones en pantalla. El ajuste de fábrica es ENGLISH (inglés).



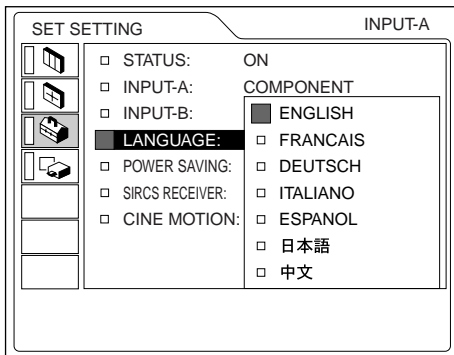
- 1 Enchufe el cable de alimentación de CA en la toma mural.
- 2 Pulse la tecla I / ⏻ para activar la alimentación.
- 3 Pulse la tecla MENU. Aparecerá el menú.



- 4 Seleccione el icono del menú SET SETTING (AJUSTE) el tercero mediante la tecla ↑ o ↓ y, a continuación, pulse la tecla → o ENTER. Aparecerá el menú SET SETTING.



- 5** Seleccione “LANGUAGE” (IDIOMA) con la tecla **↑** o **↓** y, a continuación, pulse la tecla **→** o ENTER.



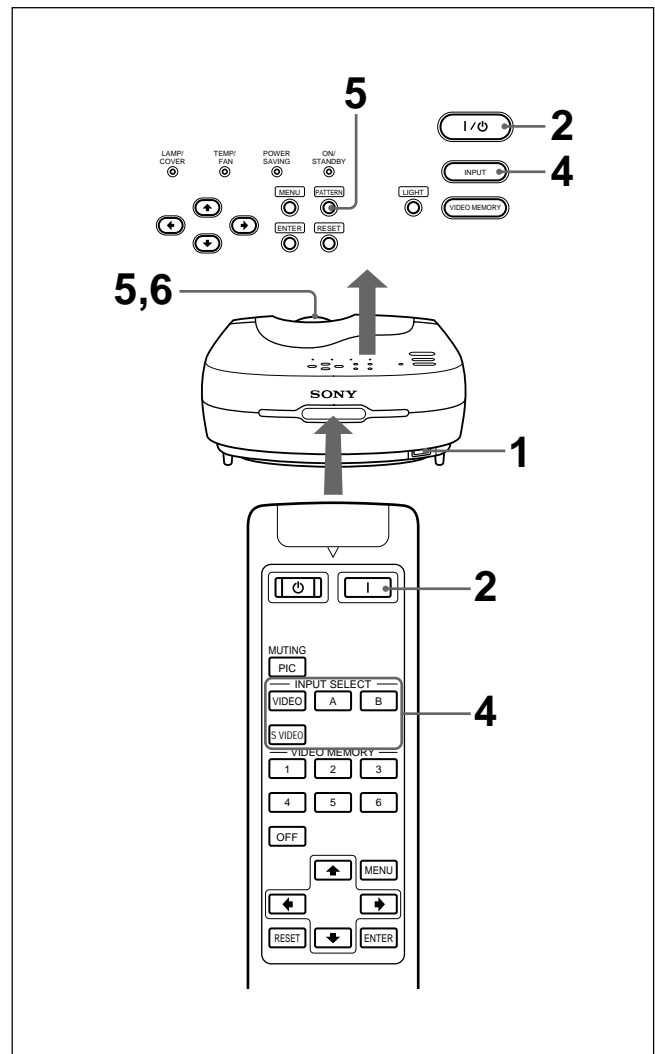
- 6** Seleccione el idioma que desee con la tecla **↑** o **↓** y, a continuación, pulse la tecla **←** o ENTER. El menú aparecerá en el idioma seleccionado.

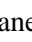
Para que el menú desaparezca

Pulse la tecla MENU.

El menú desaparecerá automáticamente si no pulsa ninguna tecla durante un minuto.

Proyección



- 1** Una vez conectados todos los equipos por completo, enchufe el cable de alimentación de CA en la toma mural. El indicador ON/STANDBY se iluminará en rojo y el proyector entrará en el modo de espera.
- 2** Pulse la tecla I /  del panel de control o la tecla I del mando a distancia. El indicador ON/STANDBY se iluminará en verde.
- 3** Encienda el equipo conectado al proyector.

(continúa)

- 4** Pulse la tecla INPUT para seleccionar la fuente de entrada.

ENTRAD A: Selecciona la entrada de señal de vídeo del conector INPUT A, como un equipo componente.

ENTRAD B: Selecciona la entrada de señal de vídeo del conector INPUT B, como un equipo componente.

VIDEO: Selecciona la entrada de señal de vídeo de la toma VIDEO (VIDEO IN).

S-VIDEO: Selecciona la entrada de señal de vídeo de la toma S VIDEO (VIDEO IN).

- 5** Pulse la tecla PATTERN del panel de control para que aparezca el patrón de prueba, y gire el anillo de enfoque para ajustar el enfoque. Vuelva a pulsar la tecla PATTERN para que el patrón desaparezca.

- 6** Gire el anillo de zoom para ajustar el tamaño de la imagen.

Nota

Si mira el objetivo cuando el proyector proyecta una imagen, puede producirse daños oculares.

Para desactivar la imagen

Pulse la tecla MUTING PIC del mando a distancia. Para recuperar la imagen, pulse de nuevo la tecla MUTING PIC.

Parpadeo de las imágenes proyectadas

Ocasionalmente, las imágenes proyectadas pueden parpadear si se utiliza el proyector con la opción CINE NEGRO del menú AJUSTE INST en SI. Si esto sucede, ajuste la opción CINE NEGRO en NO y borre la visualización del menú una vez. A continuación, visualice el menú AJUSTE INST de nuevo y vuelva a ajustar CINE NEGRO en SI.

Para obtener información detallada sobre el menú AJUSTE INST, consulte la página 29 (ES).

Ocasionalmente, las imágenes proyectadas pueden parpadear hasta que se calienta por completo la lámpara del proyector (tarda aproximadamente unos 20 minutos una vez se haya encendido la unidad). Puesto que no se trata de un fallo de funcionamiento, puede continuar utilizando el proyector con normalidad.

Para corregir la distorsión trapezoidal

Si la imagen proyectada es un trapecioide, mueva los ajustadores para cambiar la posición y altura del proyector.

Para obtener información detallada sobre el uso de los ajustadores, consulte “Cómo utilizar el ajustador” en la página 9 (ES).

Si la imagen sigue apareciendo con distorsión trapezoidal, corríjala en DIST TRAP DIG en el menú AJUSTE INST.

Si la longitud del borde inferior es mayor que la del superior como se muestra en la siguiente figura:



Ajuste el valor en negativo.

Si la longitud del borde superior es mayor que la del inferior como se muestra en la siguiente figura:



Ajuste el valor en positivo.

Nota

Si ha seleccionado “ZOOM”, “COMPLETO” o “NORMAL” en ASPECTO del menú AJUSTE ENTRAD, podrá cambiar el trapecioide. Para obtener información detallada, consulte el gráfico en la página 25 (ES).

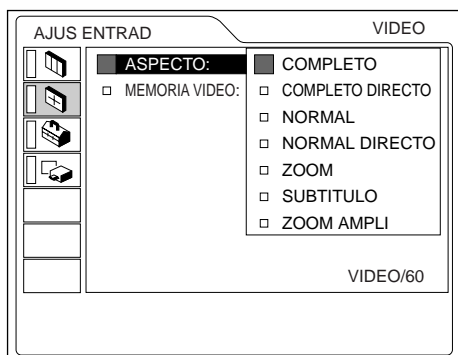
Para obtener información detallada sobre los tipos de señales cuya opción ASPECTO se puede cambiar, consulte el gráfico en la página 26 (ES).

Para obtener información detallada sobre “DIST TRAP DIG”, consulte la página 29 (ES).

Cambio del aspecto

Es posible cambiar el aspecto según la señal de vídeo.
 Para obtener información detallada sobre el empleo de la pantalla de menú, consulte "Uso del menú" en la página 21 (ES).

- 1 Pulse la tecla MENU.
Aparecerá la pantalla de menú.
- 2 Pulse la tecla ↑ o ↓ para seleccionar el menú AJUS ENTRAD y, a continuación, pulse la tecla → o ENTER.
- 3 Pulse la tecla ↑ o ↓ para seleccionar ASPECTO y, a continuación, pulse la tecla → o ENTER.



- 4 Realice ajustes en el elemento.

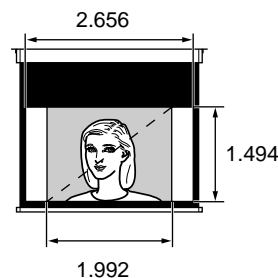
Para obtener información detallada sobre el ajuste de determinados elementos, consulte la página 24 (ES).

Tamaño de imagen para el tamaño de pantalla

Consulte lo siguiente para seleccionar el aspecto.

Si la imagen 4:3 se muestra en la pantalla 16:9

Ejemplo: Se emplea la pantalla de 120 pulgadas.

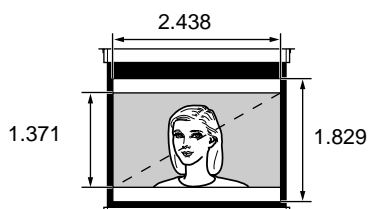


Se muestra la imagen de 98 pulgadas.

Tamaño (Pulgadas)	Pantalla 16:9	Imagen 4:3	
	Unidad (mm)	Unidad (mm)	Tamaño (Pulgadas)
90			73
110			90
120			98

Si la imagen 16:9 se muestra en la pantalla 4:3

Ejemplo: Se emplea la pantalla de 120 pulgadas.



Se muestra la imagen de 110 pulgadas.

Pantalla 4:3		Imagen 16:9	
Tamaño (Pulgadas)	Unidad (mm)	Unidad (mm)	Tamaño (Pulgadas)
80			73
100			91
120			110

Notas sobre el cambio del aspecto

Este proyector proporciona varias opciones de aspectos. Cuando cambie el aspecto, compruebe lo siguiente:

- Seleccione el aspecto teniendo en cuenta que uno que cambie la relación de aspecto de la imagen original ofrecerá un aspecto diferente al de dicha imagen.
- Tenga en cuenta también que si el proyector se utiliza para obtener beneficios económicos o para visualización pública, la modificación de la imagen original cambiando aspectos puede constituir una violación de los derechos de autor o productor protegidos legalmente por la ley.

Para desactivar la alimentación

Para desactivar la alimentación mediante el panel de control.

- 1 Pulse la tecla I / ⏻ del panel de control. “DESACTIVAR?” aparecerá en pantalla.

Nota

El mensaje desaparecerá si pulsa cualquier tecla, excepto I / ⏻, o si no pulsa ninguna tecla durante cinco segundos.

- 2 Vuelva a pulsar la tecla I / ⏻. El indicador ON/STANDBY parpadea en verde y el ventilador sigue en funcionamiento durante 120 segundos aproximadamente para reducir el recalentamiento interno. Además, el indicador ON/STANDBY parpadea rápidamente durante los primeros 40 segundos. Durante este período, no es posible activar de nuevo la alimentación con la tecla I / ⏻.
- 3 Desenchufe el cable de alimentación de CA de la toma mural cuando el ventilador deje de funcionar y el indicador ON/STANDBY se ilumine en rojo.

Si no puede confirmar el mensaje en pantalla

Si en algún momento no puede confirmar el mensaje en pantalla, puede desactivar la alimentación manteniendo pulsada la tecla I / ⏻ durante un segundo aproximadamente.

Para desactivar la alimentación mediante el mando a distancia.

- 1 Pulse la tecla ⏻ del mando a distancia.
- 2 Desenchufe el cable de alimentación de CA de la toma mural cuando el ventilador deje de funcionar y el indicador ON/STANDBY se ilumine en rojo.

Nota

No desenchufe el cable de alimentación de CA mientras el ventilador esté en funcionamiento; en caso contrario, éste se parará aunque el nivel de calentamiento interno sea aún alto. Esto puede causar que el proyector se averíe!

Uso del menú

El proyector dispone de un menú en pantalla que permite realizar diversos ajustes.

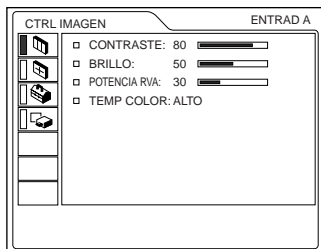
Puede seleccionar el idioma para el menú.

Para obtener información detallada sobre la selección del idioma empleado en el menú, consulte la página 16 (ES).

1 Pulse la tecla MENU.

Aparecerá el menú.

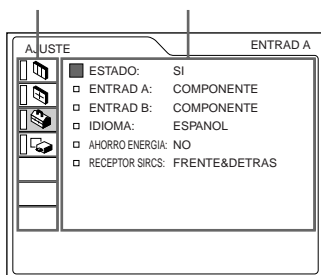
El menú actualmente seleccionado se muestra como un botón amarillo.



2 Utilice la tecla ↑ o ↓ para seleccionar un menú y, a continuación, pulse la tecla → o ENTER.

Aparecerá el menú seleccionado.

Menús Elementos de ajuste



3 Seleccione un elemento.

Utilice la tecla ↑ o ↓ para seleccionar el elemento y, a continuación, pulse la tecla → o ENTER.

4 Ajuste el elemento.

- Al cambiar el nivel de ajuste:

Para que el valor aumente, pulse la tecla ↑ o →.

Para que el valor disminuya, pulse la tecla ↓ o ←.

Pulse la tecla ENTER para recuperar la pantalla original.

- Al cambiar el ajuste:

Pulse la tecla ↑ o ↓ para cambiar el ajuste.

Pulse la tecla ENTER o ← para recuperar la pantalla original.

Para obtener información detallada sobre el ajuste de determinados elementos, consulte las páginas de los menús correspondientes.

Para que el menú desaparezca

Pulse la tecla MENU.

El menú desaparecerá automáticamente si no pulsa ninguna tecla durante un minuto.

Para reajustar elementos ajustados

Pulse la tecla RESET.

“Completado!” aparecerá en pantalla y los ajustes mostrados en ésta recuperarán los valores de fábrica. Los elementos que pueden reajustarse son los siguientes:

- “CONTRASTE”, “BRILLO”, “COLOR”, “TONALIDAD”, “NITIDEZ” y “POTENCIA RVA” del menú CTRL IMAGEN.
- “FASE PUNTO”, “TAMANO H”, “DESPLAZ”, “DESPLAZAM V” y “AREA TITULO” del menú AJUS ENTRAD.
- “DIST TRAP DIG” del menú AJUSTE INST.

Acerca de la memoria de los ajustes

Los ajustes se almacenan automáticamente en la memoria del proyector.

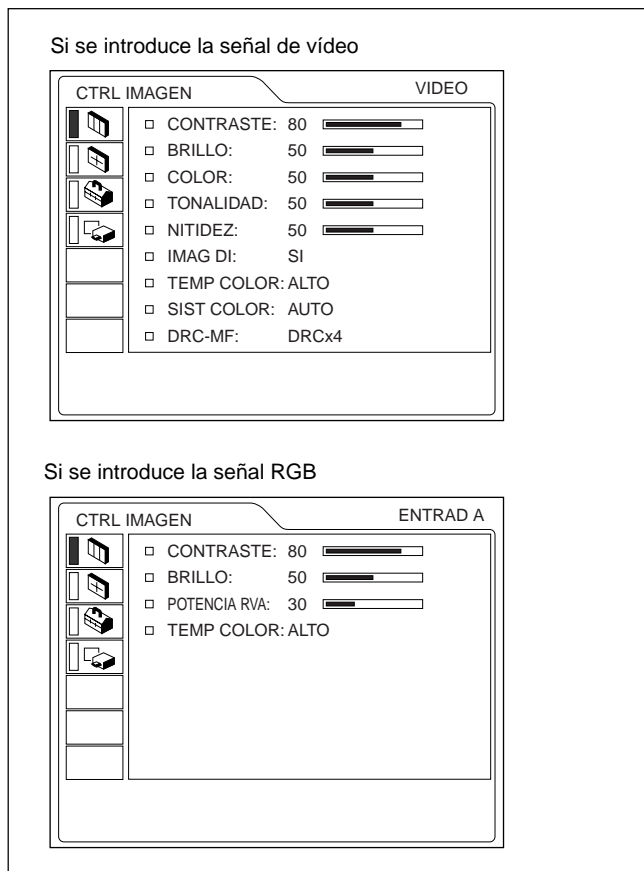
Si no se introduce ninguna señal

Si no se introduce ninguna señal, la pantalla mostrará “SIN ENTRADA-Imposible ajustar este parametro.”, y no será posible ajustar los elementos.

Menú CTRL IMAGEN

El menú CTRL (control) IMAGEN se utiliza para ajustar la imagen.

Los elementos que no pueden ajustarse para una señal de entrada determinada no se muestran en el menú.



CONTRASTE

Ajusta el contraste de la imagen.

Cuanto mayor sea el ajuste, mayor será el contraste.

Cuanto menor sea el ajuste, menor será el contraste.

BRILLO

Ajusta el brillo de la imagen.

Cuanto mayor sea el ajuste, mayor será el brillo de la imagen.

Cuanto menor sea el ajuste, menor será el brillo de la imagen.

COLOR

Ajusta la intensidad del color.

Cuanto mayor sea el ajuste, mayor será la intensidad.

Cuanto menor sea el ajuste, menor será la intensidad.

TONALIDAD

Ajusta los tonos del color.

Cuanto mayor sea el ajuste, la imagen adquirirá un tono verdoso.

Cuanto menor sea el ajuste, la imagen adquirirá un tono púrpura.

NITIDEZ

Ajusta la nitidez de la imagen.

Cuanto mayor sea el ajuste, mayor será la nitidez de la imagen.

Cuanto menor sea el ajuste, más suavidad presentará la imagen.

POTENCIA RVA

Ajusta la nitidez de la imagen cuando se introducen las señales de ordenador.

Cuanto mayor sea el ajuste, mayor será la nitidez de la imagen.

Cuanto menor sea el ajuste, más suavidad presentará la imagen.

IMAG DI (Dinámica)

Enfatiza el color negro.

SI: Enfatiza el color negro para producir imágenes “dinámicas” más marcadas.

NO: Reproduce las partes oscuras de la imagen con precisión, de acuerdo con la señal fuente.

TEMP COLOR

Ajusta la temperatura del color.

ALTO: El color blanco adquiere un tono azulado.

BAJO: El color blanco adquiere un tono rojizo.

SIST (sistema) COLOR

Selecciona el sistema de color de la señal de entrada.

AUTO: Selecciona automáticamente una de las siguientes señales: NTSC_{3.58}, PAL, SECAM, NTSC_{4.43}.

PAL-M/N: Selecciona automáticamente una de las siguientes señales: PAL-M/PAL-N, NTSC_{3.58}.

Normalmente, ajústelo en AUTO.

Si la imagen se distorsiona o aparece sin color, seleccione el sistema de color de acuerdo con la señal de entrada.

DRC-MF

Suaviza imágenes de vídeo de gran tamaño.

DRC × 4: Duplica el número de las líneas de exploración de la señal de vídeo y el número de píxeles horizontales, obteniéndose una calidad de imagen cuádruple.

DRC PROGRESIVO: Muestra una línea o caracteres nítidos sin parpadeo de línea.

Señales de entrada y elementos ajustables/de ajuste

Elemento	Señal de entrada				
	Vídeo o S vídeo (Y/C)	Componente/ RGB de 15k	Componente Progresivo/ HDTV/ DTV	RGB ¹⁾	B&W
CONTRASTE	●	●	●	●	●
BRILLO	●	●	●	●	●
COLOR	●	●	●	–	–
TONALIDAD	● (Sólo NTSC3.58/4.43)	●	●	–	–
NITIDEZ	●	●	●	–	●
POTENCIA RVA	–	–	–	●	–
IMAG DI	●	●	–	–	●
TEMP COLOR	●	●	●	●	●
SIST COLOR	●	–	–	–	●
DRC-MF	●	●	–	–	●

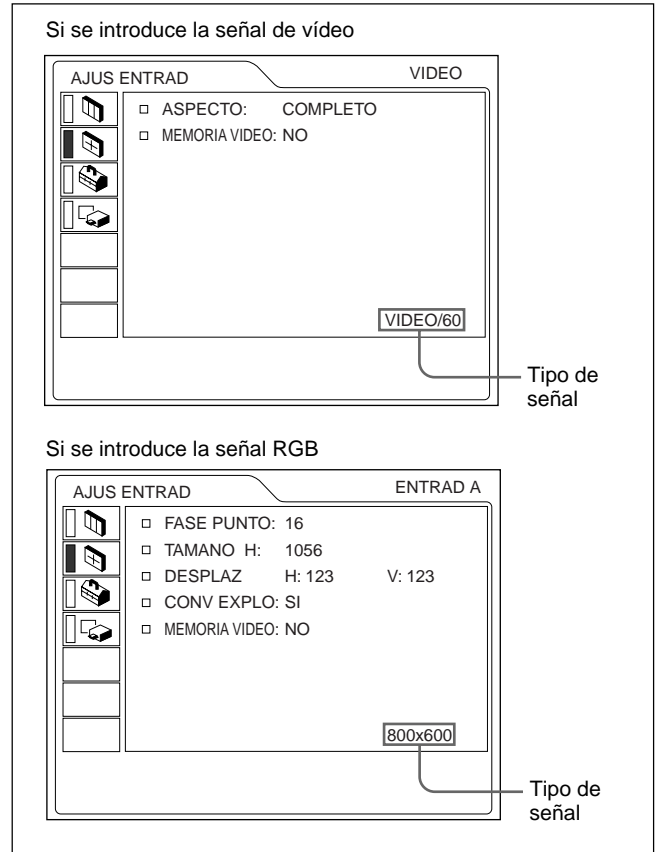
● : Ajustable/puede ajustarse

– : No ajustable/no puede ajustarse

Menú AJUS ENTRAD

El menú AJUS ENTRAD se utiliza para ajustar la señal de entrada.

Los elementos que no pueden ajustarse para una señal de entrada determinada no se muestran en el menú.



FASE PUNTO

Ajusta la fase de puntos del panel LCD y la señal de entrada de ordenador del conector INPUT A/B.

Ajuste la imagen en el punto en el que aparezca con mayor nitidez.

TAMANO H

Ajusta el tamaño horizontal de la imagen introducida mediante el conector INPUT A/B.

Cuando más alto sea el ajuste, mayor será el tamaño horizontal de la imagen. Cuando más bajo sea el ajuste, menor será el tamaño horizontal de la imagen. Ajuste el valor en función de los puntos de la señal de entrada. Para más información sobre el valor adecuado para las señales predefinidas, consulte la página 26 (ES).

1) Señales RGB de un ordenador

DESPLAZ

Ajusta la posición de la imagen introducida mediante los conectores INPUT A/B.

H ajusta la posición horizontal de la imagen.

V ajusta la posición vertical de la imagen.

Al aumentar el ajuste de H, la imagen se desplazará a la derecha, y al disminuir, se desplazará a la izquierda.

Al aumentar el ajuste de V, la imagen se desplazará hacia arriba, y al disminuir, se desplazará hacia abajo.

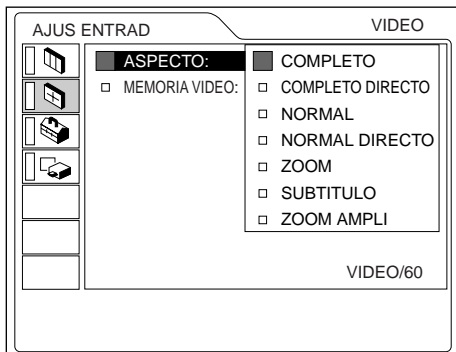
Emplee la tecla ← o → para ajustar la posición horizontal y la tecla ↑ o ↓ para la posición vertical.

ASPECTO

Define el siguiente ajuste de aspecto:

4:3 NORMAL, NORMAL DIRECTO

16:9 COMPLETO, COMPLETO DIRECTO, ZOOM, SUBTITULO, ZOOM AMPLI



COMPLETO: La imagen comprimida 16:9 aparece con el aspecto correcto. La imagen 4:3 se amplía horizontalmente.



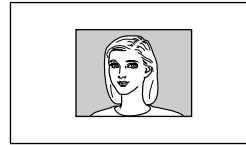
COMPLETO DIRECTO: El mapeado uno a uno se realiza en una imagen 16:9 comprimida. La imagen aparece en el centro de la pantalla.



NORMAL: Aparece la imagen con relación normal 4:3.



NORMAL DIRECTO: El mapeado uno a uno se realiza en la imagen con relación normal 4:3. La imagen aparece en el centro de la pantalla.



ZOOM: La imagen con relación normal 4:3 se amplía vertical y horizontalmente (con la misma relación) en el tamaño de la pantalla. Este modo es ideal para capturar las escenas a toda pantalla de películas con formato panorámico.



SUBTITULO: El área de subtítulos se comprime. Este modo sitúa los subtítulos en la parte inferior de la pantalla.



ZOOM AMPLI: La imagen con relación normal 4:3 se amplía y las partes superior e inferior de la imagen se comprimen. Resulta ideal para programas en general, como noticiarios o espectáculos de variedades.



Nota

No es posible cambiar el modo de imagen mientras el proyector proyecta una imagen de alta definición o una señal DTV.

Estos elementos ajustables/no ajustables dependen del ajuste de aspecto

Elementos	DESPLAZAM V	AREA TITULO	DIST TRAP DIG
COMPLETO	–	–	●
COMPLETO DIRECTO	–	–	–
NORMAL	–	–	●
NORMAL DIRECTO	–	–	–
ZOOM	●	–	●
SUBTITULO	●	●	–
ZOOM AMPLI	–	–	–

● : Ajustable – : No ajustable

CONV EXPLO (Convertidor de exploración)

Convierte la señal para mostrar la imagen en función del tamaño de la pantalla.

SI: Aumenta la imagen de acuerdo con el aspecto de la pantalla. La imagen perderá cierta claridad.

NO: Muestra la imagen mientras hace coincidir un píxel de elemento de imagen de entrada con el del LCD. La imagen será nítida aunque su tamaño será menor.

Nota

Este elemento no aparecerá si la señal de entrada es XGA o SXGA.

DESPLAZAM V

Ajusta la posición vertical de la imagen.

El margen ajustable es de 0 a +7. Al aumentar el ajuste, la imagen se desplazará hacia arriba, y al disminuir, se desplazará hacia abajo. Para recuperar la posición normal, pulse la tecla RESET.

AREA TITULO

Ajusta el área de subtítulos.

El margen ajustable es de 0 a +7. Al aumentar el ajuste, se amplía el ancho del área de subtítulos. Al disminuir el ajuste, se disminuye el ancho del área de subtítulos. Para volver al valor del área normal, pulse la tecla RESET.

Nota

Aunque el margen ajustable mostrado es de 0 a +7, es posible que el margen real quede limitado dependiendo del ajuste DESPLAZAM V.

MEMORIA VIDEO

Muestra el número de memoria de vídeo seleccionado. Hay 6 ajustes de memoria. Si selecciona NO, la imagen aparecerá de acuerdo con los ajustes almacenados en la memoria de cada canal.

Cómo ajustar la MEMORIA VIDEO

Con el mando a distancia

1 Pulse el número deseado (1 – 6) de las teclas VIDEO MEMORY.

El número de memoria seleccionado aparecerá en el menú.

2 En el menú apropiado, seleccione un elemento que desee ajustar y defina el valor con las teclas ↑, ↓, ← o →.

3 Pulse la tecla ← o ENTER.

El elemento (valor) ajustado se almacenará en el número de memoria seleccionado. Volverá a aparecer la pantalla anterior.

Con el panel de control

1 Seleccione un número de la MEMORIA VIDEO (1 – 6) pulsando la tecla VIDEO MEMORY.

(También puede ajustar la MEMORIA VIDEO con el menú.)

2 En el menú apropiado, seleccione un elemento que desee ajustar y defina el valor con las teclas ↑, ↓, ← o →.

3 Pulse la tecla ← o ENTER.

El elemento (valor) ajustado se almacenará en el número de memoria seleccionado. Volverá a aparecer la pantalla anterior.

Señales de entrada y elementos ajustables/de ajuste

Elemento	Señal de entrada				
	Vídeo o S vídeo (Y/C)	RGB de 15k/Componente progresivo	HDTV/DTV	RGB ¹⁾	B&W
FASE PUNTO	–	–	●	●	–
TAMANO H	–	●	●	●	–
DESPLAZ	–	●	●	●	–
ASPECTO	●	●	–	–	●
CONV EXPLO	–	–	–	● (sólo inferior a SVGA)	–
DESPLAZAM V	○	○	–	–	○
AREA TITULO	○	○	–	–	○
MEMORIA VIDEO	●	●	●	●	●

● : Ajustable/puede ajustarse

– : No ajustable/no puede ajustarse

○ : Elemento dependiente de la relación de aspecto

Acerca de la memoria predefinida

Este proyector dispone de 45 tipos de datos predefinidos de señales de entrada (memoria predefinida). Al introducirse la señal predefinida, este proyector detecta automáticamente el tipo de señal. Si la señal está registrada en la memoria predefinida, aparecerá la imagen adecuada en pantalla en función del tipo de señal. El tipo de señal de entrada aparece en el menú AJUS ENTRAD. Es posible ajustar los datos predefinidos mediante el menú AJUS ENTRAD.

Este proyector también dispone de 20 ubicaciones de memoria de usuario para cada ENTRAD A/B. Puede registrar un nuevo tipo de señal que no esté predefinida. Al introducirse una señal no predefinida por primera vez, se almacenará el valor ajustado mediante ENTRAD A/B del menú AJUS ENTRAD. Si se registran más de 20 elementos de memoria de usuario para cada ENTRAD A/B, el elemento de memoria más reciente se almacenará automáticamente sobre el más antiguo.

Señales predefinidas

Nº de memoria	Señal predefinida	fH (kHz)	fV (Hz)	Sincronización	TAMANO H
1	Vídeo 60 Hz	15,734	59,940	H-neg V-neg	1050
2	Vídeo 50 Hz	15,625	50,000	H-neg V-neg	1072
3	RGB de 15k/Componente 60 Hz	15,734	59,940	SonG/Y o sinc compuesta	1050
4	RGB de 15k/Componente 50 Hz	15,625	50,000	SonG/Y o sincronización compuesta/ vídeo compuesto	1072
5	HDTV(1080/60i)	33,750	60,000	SonG/Y o sinc compuesta	2200
6	640 × 350 modo VGA 1	31,469	70,086	H-pos V-neg	800
7	VGA VESA 85 Hz	37,861	85,080	H-pos V-neg	832
8	640 × 400 PC-9801 Normal	24,823	56,416	H-neg V-neg	848
9	modo VGA 2	31,469	70,086	H-neg V-pos	800
10	VGA VESA 85 Hz	37,861	85,080	H-neg V-pos	832
11	640 × 480 modo VGA 3	31,469	59,940	H-neg V-neg	800
12	Macintosh 13"	35,000	66,667	S en V	864
13	VGA VESA 72 Hz	37,861	72,809	H-neg V-neg	832
14	VGA VESA 75 Hz	37,500	75,000	H-neg V-neg	840
15	VGA VESA 85 Hz	43,269	85,008	H-neg V-neg	832
16	800 × 600 SVGA VESA 56 Hz	35,156	56,250	H-pos V-pos	1024
17	SVGA VESA 60 Hz	37,879	60,317	H-pos V-pos	1056
18	SVGA VESA 72 Hz	48,077	72,188	H-pos V-pos	1040
19	SVGA VESA 75 Hz	46,875	75,000	H-pos V-pos	1056
20	SVGA VESA 85 Hz	53,674	85,061	H-pos V-pos	1048
21	832 × 624 Macintosh 16"	49,724	74,550	H-neg V-neg	1152
22	1024 × 768 XGA VESA 43 Hz	35,524	43,479	H-pos V-pos	1264
23	XGA VESA 60 Hz	48,363	60,004	H-neg V-neg	1344
24	XGA VESA 70 Hz	56,476	69,955	H-neg V-neg	1328
25	XGA VESA 75 Hz	60,023	75,029	H-pos V-pos	1312
26	XGA VESA 85 Hz	68,677	84,997	H-pos V-pos	1376
27	1152 × 864 SXGA VESA 70 Hz	63,995	70,019	H-pos V-pos	1472
28	SXGA VESA 75 Hz	67,500	75,000	H-pos V-pos	1600
29	SXGA VESA 85 Hz	77,487	85,057	H-pos V-pos	1568
30	1152 × 900 Sunmicro LO	61,795	65,960	H-neg V-neg	1504
31	Sunmicro HI	71,713	76,047	C-neg	1472
32	1280 × 960 SXGA VESA 60 Hz	60,000	60,000	H-pos V-pos	1800
33	SXGA VESA 75 Hz	75,000	75,000	H-pos V-pos	1728
34	1280 × 1024 SXGA VESA 43 Hz	46,433	43,436	H-pos V-pos	1696
35	SXI-5	53,316	50,062	S en V	1680
36	SXGA VESA 60 Hz	63,974	60,013	H-pos V-pos	1696
37	SXGA VESA 75 Hz	79,976	75,025	H-pos V-pos	1688

1) Señales RGB de un ordenador

43	480/60p	480/60p (Componente progresivo)	31,470	60,000		1050
44	575/50p	575/50p (Componente progresivo)	31,250	50,000	SonG/Y	1072
45	1080/50i	1080/50i	28,130	50,000	o sinc	2640
47	720/60p	720/60p	45,000	60,000	compuesta	1650
48	720/50p	720/50p	37,500	50,000		1980
49 ¹⁾	1080/24PsF	1080/24PsF	27,000	48,000		2750
50	HDTV	540/60p	33,750	60,000	H-pos V-pos	2200
51	1366 × 768	16:9 RGB	45,000	56,000	H-neg V-neg	1766

Puesto que los datos de las siguientes señales se recuperan de la memoria predefinida, puede emplear estos datos predefinidos ajustando TAMANO H. Realice ajustes de precisión mediante DESPLAZ.

Señal	Nº de memoria	TAMANO H
Super Mac-2	23	1312
SGI-1	23	1320
Macintosh 19"	25	1328
Macintosh 21"	28	1456
Sony News	36	1708
PC-9821 1280 × 1024	36	1600
WS Sunmicro	37	1664

Notas

- Una parte de la pantalla aparecerá en negro en función de la relación de aspecto de la señal de entrada.
- Utilice las señales siguientes para introducir externamente la señal de sincronización desde el conector SYNC/HD.
 - Señal RGB de 15k: Señal de sincronización compuesta o señal de vídeo compuesta
 - Señal de componente (15k): No puede introducirse externamente señal de sincronización.
 - Señal de componente progresivo o DTV (Nº predefinido 3 – 5 o nº 43 – 48), 1080/24PsF: Señal de sincronización compuesta
- Si introduce HD y VD junto con una señal de “sincronización en verde”, es posible que la imagen no se muestre correctamente.

Si utiliza un ordenador portátil con un panel SXGA+ LCD

Esta unidad no cumple con la resolución de SXGA+ (1400 × 1050 puntos). Si para su presentación desea utilizar un ordenador portátil con un panel SXGA+ LCD, cambie los ajustes de resolución de la pantalla de dicho ordenador. Seleccione la resolución adecuada del gráfico de “Señales predefinidas”.

Para obtener información sobre cómo ajustar la resolución del ordenador portátil, consulte el manual de instrucciones suministrado con el ordenador.

Elementos ajustables de la MEMORIA VIDEO

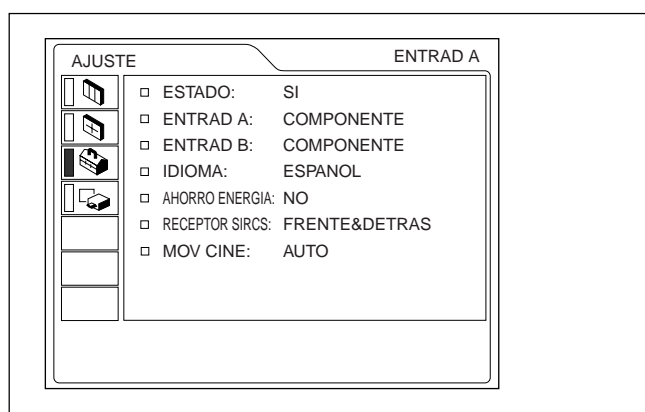
Los elementos que pueden ajustarse en la MEMORIA VIDEO son:

- “CONTRASTE”, “BRILLO”, “COLOR”, “TONALIDAD”, “NITIDEZ”, “POTENCIA RVA”, “IMAG DI”, “TEMP COLOR”, “SIST COLOR” y “DRC-MF” del menú CTRL IMAGEN.
- “ASPECTO”, “CONV EXPLO”, “DESPLAZAM V” y “AREA TITULO” del menú AJUS ENTRAD.

1) El nº 49 es una señal de entrelazado.

Menú AJUSTE

El menú AJUSTE se utiliza para cambiar los valores del proyector.



ESTADO (indicación en pantalla)

Ajusta la indicación en pantalla.

SI: Muestra todas las indicaciones en pantalla.

NO: Desactiva las indicaciones en pantalla, excepto los menús, el mensaje que aparece al desactivar la alimentación y los mensajes de aviso.

ENTRAD A

Selecciona la señal de ordenador, componente, DTV YPBPr o DTV GBR introducida mediante los conectores INPUT A.

Nota

Si el ajuste no es correcto, la pantalla mostrará "Compruebe ajuste ENTRAD A." y el color de la imagen será extraño o ésta no aparecerá.

ENTRAD B

Selecciona la señal de ordenador, componente, DTV YPBPr o DTV GBR introducida mediante los conectores INPUT B.

Notas

- Si el ajuste no es correcto, la pantalla mostrará "Compruebe ajuste ENTRAD B." y el color de la imagen será extraño o ésta no aparecerá.
- Ajuste la señal de componente progresivo (p.ej. DVD) en "COMPONENTE", y la señal RGB de 15k (p.ej. dispositivos de juegos) en "DTV GBR".

A continuación se muestran las señales que pueden salir para cada ajuste de ENTRAD A y B.

Señal	Ajuste de ENTRAD A y B			
	ORDENADOR	COMPONENTE	DTV YPBPr	DTV GBR
RGB de 15k (Salida de DVD en sistema PAL, etc.)	—	—	—	●
Componente	—	●	●	—
Componente progresivo (Progresivo Salida de DVD, etc.)	—	●	●	—
DTV (Salida de BS digital, etc.)	—	—	●	●
Ordenador	●	—	—	—

● : puede salir — : no puede salir

IDIOMA

Selecciona el idioma empleado en el menú y en las indicaciones en pantalla.

Los idiomas disponibles son: inglés, francés, alemán, italiano, español, japonés y chino.

AHORRO ENERGIA

Si se ajusta en SI, el proyector entrará en el modo de ahorro de energía si no se introduce ninguna señal durante 10 minutos.

El modo de ahorro de energía se cancelará al introducirse alguna señal o al pulsar cualquier tecla.

RECEPTOR SIRCS

Selecciona los detectores de control remoto (receptor SIRCS) de las partes frontal y posterior del proyector.

FRENTE&DETRAS: Activa los detectores frontal y posterior.

FRENTE: Activa el detector frontal solamente.

DETRAS: Activa el detector posterior solamente.

MOV CINE

Selecciona una de las posiciones según la fuente de la señal para las señales NTSC^{3.58/4.43}, RGB de 15k (60 Hz) o 525/60.

AUTO: Ajústelo en AUTO cuando la señal de entrada sea de material originado en film. Se aplica la función de transferencia 2-3.

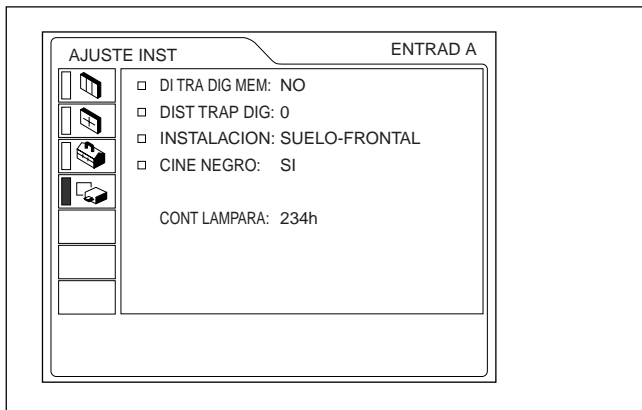
NO: No se aplica la función de transferencia 2-3.

Nota

Esta función no trabajará para señales de 50 Hz.

Menú AJUSTE INST

El menú AJUSTE INST se utiliza para cambiar los valores de instalación del proyector.



DI TRA DIG MEM

SI: Se almacena el ajuste DIST TRAP DIG.

Los datos se recuperan al activar la alimentación del proyector. El ajuste se conservará igual cada vez.

NO: DIST TRAP DIG se reajusta a 0 al activar la alimentación la próxima vez.

DIST TRAP DIG

Corrige la distorsión trapezoidal causada por el ángulo de proyección.

Si el borde inferior de la imagen es más largo, defina un valor negativo; si el borde superior es más largo, defina un valor positivo para mostrar la imagen como un rectángulo.

Nota

Sólo podrá cambiar las dimensiones trapezoidales si ha seleccionado “ZOOM”, “COMPLETO” o “NORMAL” en la opción ASPECTO del menú AJUS ENTRAD.

INSTALACION

Se ajusta para invertir la imagen en sentido horizontal o vertical.

SUELO-FRONTAL: La imagen no se invierte.

TECHO-FRONTAL: La imagen se invierte horizontal y verticalmente.

SUELO-DETRAS: La imagen se invierte horizontalmente.

TECHO-DETRAS: La imagen se invierte verticalmente.

Nota

Cuando utilice un espejo, tenga presente cómo ha realizado la instalación, ya que la imagen puede invertirse.

CINE NEGRO

Conmuta el vataje de la lámpara durante la proyección.

NO: Vataje normal.

SI: Potencia el negro mediante la reducción del vataje de la lámpara.

Notas

- El proyector tardará unos segundos en cambiar el vataje de la lámpara durante la proyección.
- Al conectarse la alimentación, si CINE NEGRO se encuentra en SI, empezará inicialmente en NO y cambiará a SI al cabo de unos instantes.

CONT LAMPARA

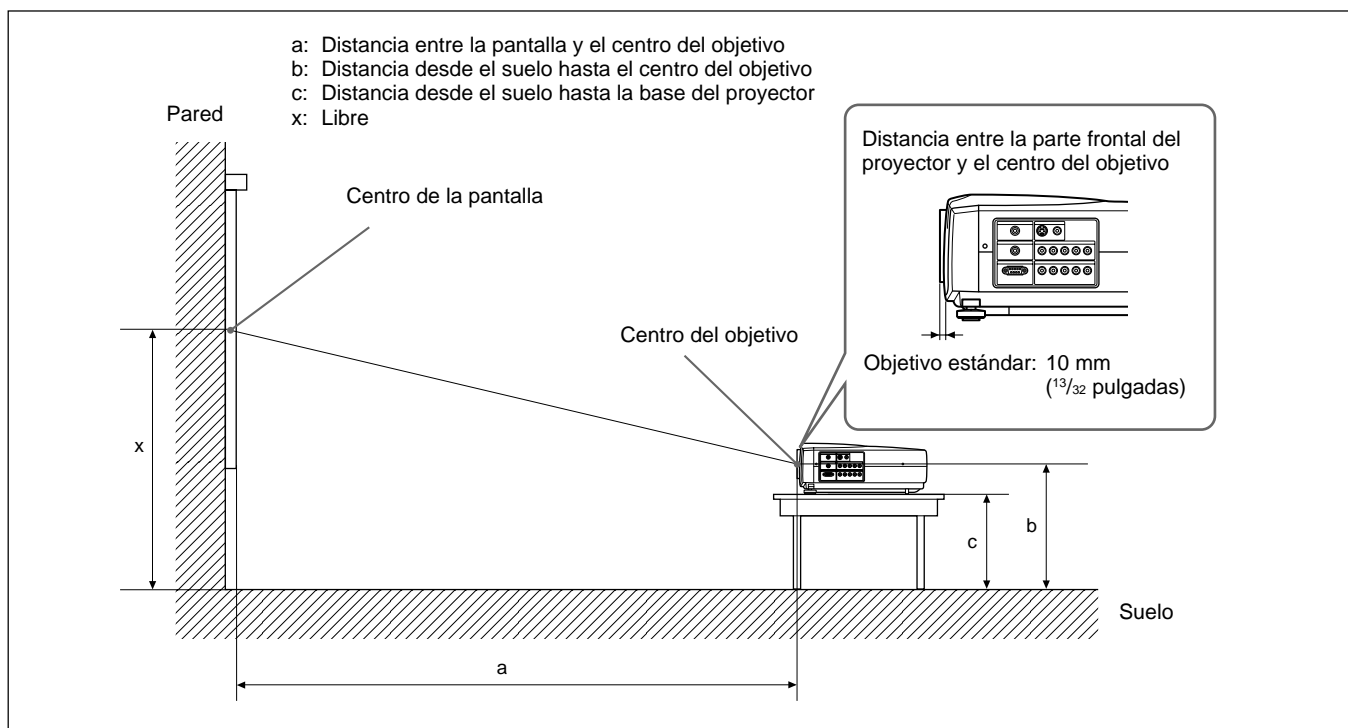
Indica cuánto tiempo ha estado la lámpara encendida.

Nota

Esto sólo muestra el espacio de tiempo. No es posible modificar la indicación.

Ejemplos de instalación

Instalación en el suelo



Unidad: mm (pulgadas)

Tamaño de la pantalla 16:9 (pulgadas)		40	60	80	100	120	150	180	200	250	300
a	Mínimo	1260 (49 5/8)	1930 (76)	2600 (102 3/8)	3270 (128 7/8)	3930 (154 3/4)	4940 (194 5/8)	5940 (234)	6610 (260 3/8)	8270 (325 3/4)	9940 (391 1/2)
	Máximo	1470 (58)	2240 (88 1/4)	3010 (118 5/32)	3780 (148 7/8)	4550 (179 1/4)	5710 (224 7/8)	6860 (270 1/8)	7630 (300 1/2)	9560 (376 1/2)	11480 (452 1/8)
b		x-249 (x-9 7/8)	x-374 (x-14 3/4)	x-498 (x-19 5/8)	x-623 (x-24 5/8)	x-747 (x-29 1/2)	x-934 (x-36 7/8)	x-1121 (x-44 1/4)	x-1245 (x-49 1/8)	x-1556 (x-61 3/8)	x-1868 (x-73 5/8)
c		x-349 (x-13 3/4)	x-473 (x-18 5/8)	x-598 (x-23 5/8)	x-722 (x-28 1/2)	x-847 (x-33 3/8)	x-1033 (x-40 3/4)	x-1220 (x-48 1/8)	x-1345 (x-53)	x-1656 (x-65 1/4)	x-1967 (x-77 1/2)

Para calcular las medidas de instalación (unidad: mm)

SS: tamaño diagonal de la pantalla (pulgadas)

$$a \text{ (mínimo)} = \{(SS \times 44,22/1,3573) - 70,76208\} \times 1,025$$

$$a \text{ (máximo)} = \{(SS \times 53,599173/1,3573) - 70,17171\} \times 0,975$$

$$b = x - (SS/1,3573 \times 8,45)$$

$$c = x - (SS/1,3573 \times 8,45 + 99,5)$$

Unidad: mm (pulgadas)

Tamaño de la pantalla 4:3 (pulgadas)		40	60	80	100	120	150	180	200	250	300
a	Mínimo	1560 (61 1/2)	2380 (93 3/4)	3200 (126)	4020 (158 5/16)	4830 (190 1/4)	6060 (238 5/8)	7290 (287 1/8)	8100 (319)	10150 (399 3/4)	12190 (480)
	Máximo	1820 (71 3/4)	2760 (108 3/4)	3700 (145 3/4)	4650 (183 1/8)	5590 (220 1/8)	7000 (275 5/8)	8420 (331 5/8)	9360 (368 5/8)	11720 (461 1/2)	14070 (554 1/8)
b		x-305 (x-12 1/8)	x-457 (x-18)	x-610 (x-24 1/8)	x-762 (x-30)	x-915 (x-36 1/8)	x-1143 (x-45)	x-1372 (x-54 1/8)	x-1524 (x-60)	x-1905 (x-75 1/8)	x-2287 (x-90 1/8)
c		x-404 (x-16)	x-557 (x-22)	x-709 (x-28)	x-862 (x-34)	x-1014 (x-40)	x-1243 (x-49)	x-1471 (x-58)	x-1624 (x-64)	x-2005 (x-79)	x-2386 (x-94)

Para calcular las medidas de instalación (unidad: mm)

SS: tamaño diagonal de la pantalla (pulgadas)

$$a \text{ (mínimo)} = \{(SS \times 44,22/1,1087) - 70,76208\} \times 1,025$$

$$a \text{ (máximo)} = \{(SS \times 53,597384/1,1087) - 70,27214\} \times 0,975$$

$$b = x - (SS/1,1087 \times 8,45)$$

$$c = x - (SS/1,1087 \times 8,45 + 99,5)$$

Si instala el proyector sobre un escritorio, etc., y utiliza el objetivo de proyección VPLL-ZM101 o VPLL-ZM31, consulte el gráfico siguiente para obtener las medidas de instalación adecuadas.

Acerca de la instalación del objetivo

Si el objetivo lo instala personal no especializado, pueden producirse incendios o daños a las personas. Los usuarios deben solicitar los servicios de un técnico Sony especializado para instalar el objetivo.

Para el objetivo de proyección VPLL-ZM101

		Unidad: mm (pulgadas)									
Tamaño de la pantalla 16:9 (pulgadas)		40	60	80	100	120	150	180	200	250	300
a	Mínimo	2500 (98 ⁴ / ₈)	3860 (151 ⁷ / ₈)	5210 (205 ² / ₈)	6570 (258 ⁶ / ₈)	7930 (312 ¹ / ₈)	9960 (392 ² / ₈)	11990 (472 ³ / ₈)	13350 (525 ⁶ / ₈)	16740 (659 ³ / ₈)	20130 (792 ⁵ / ₈)
	Máximo	3750 (147 ⁴ / ₈)	5720 (225 ² / ₈)	7700 (303 ² / ₈)	9670 (381)	11650 (458 ⁷ / ₈)	14620 (575 ⁵ / ₈)	17580 (692 ² / ₈)	19560 (770 ¹ / ₈)	24500 (964 ⁵ / ₈)	29440 (1159 ² / ₈)
b		x-249 (x-9 ⁷ / ₈)	x-374 (x-14 ³ / ₄)	x-498 (x-19 ⁵ / ₈)	x-623 (x-24 ⁵ / ₈)	x-747 (x-29 ¹ / ₂)	x-934 (x-36 ⁷ / ₈)	x-1121 (x-44 ¹ / ₄)	x-1245 (x-49 ¹ / ₈)	x-1556 (x-61 ³ / ₈)	x-1868 (x-73 ⁵ / ₈)
c		x-349 (x-13 ³ / ₄)	x-473 (x-18 ⁵ / ₈)	x-598 (x-23 ⁵ / ₈)	x-722 (x-28 ¹ / ₂)	x-847 (x-33 ³ / ₈)	x-1033 (x-40 ³ / ₄)	x-1220 (x-48 ¹ / ₈)	x-1345 (x-53)	x-1656 (x-65 ¹ / ₄)	x-1967 (x-77 ¹ / ₂)

Para calcular las medidas de instalación (unidad: mm)

SS: tamaño diagonal de la pantalla (pulgadas)

$$a \text{ (mínimo)} = \{(SS \times 89,8220/1,3573) - 209,2626\} \times 1,025$$

$$a \text{ (máximo)} = \{(SS \times 137,5601/1,3573) - 211,5915\} \times 0,975$$

$$b = x - (SS/1,3573 \times 8,45)$$

$$c = x - (SS/1,3573 \times 8,45 + 99,5)$$

Unidad: mm (pulgadas)

Tamaño de la pantalla 4:3 (pulgadas)		40	60	80	100	120	150	180	200	250	300
a	Mínimo	3110 (122 ³ / ₈)	4770 (187 ⁶ / ₈)	6430 (253 ² / ₈)	8090 (318 ⁵ / ₈)	9750 (384)	12240 (482)	14730 (580)	16390 (645 ⁵ / ₈)	20550 (809)	24700 (972 ⁵ / ₈)
	Máximo	4630 (182 ⁴ / ₈)	7050 (277 ⁶ / ₈)	9470 (373)	11890 (468 ² / ₈)	14310 (563 ⁴ / ₈)	17940 (706 ⁴ / ₈)	21570 (849 ³ / ₈)	23990 (944 ⁵ / ₈)	30040 (1182 ⁶ / ₈)	36090 (1421)
b		x-305 (x-12 ¹ / ₈)	x-457 (x-18)	x-610 (x-24 ¹ / ₈)	x-762 (x-30)	x-915 (x-36 ¹ / ₈)	x-1143 (x-45)	x-1372 (x-54 ¹ / ₈)	x-1524 (x-60)	x-1905 (x-75 ¹ / ₈)	x-2287 (x-90 ¹ / ₈)
c		x-404 (x-16)	x-557 (x-22)	x-709 (x-28)	x-862 (x-34)	x-1014 (x-40)	x-1243 (x-49)	x-1471 (x-58)	x-1624 (x-64)	x-2005 (x-79)	x-2386 (x-94)

Para calcular las medidas de instalación (unidad: mm)

SS: tamaño diagonal de la pantalla (pulgadas)

$$a \text{ (mínimo)} = \{(SS \times 89,8220/1,1087) - 209,2626\} \times 1,025$$

$$a \text{ (máximo)} = \{(SS \times 137,5601/1,1087) - 211,5915\} \times 0,975$$

$$b = x - (SS/1,1087 \times 8,45)$$

$$c = x - (SS/1,1087 \times 8,45 + 99,5)$$

Para el objetivo de proyección VPLL-ZM31

Unidad: mm (pulgadas)

Tamaño de la pantalla 16:9 (pulgadas)		40	60	80	100	120	150	180	200	250	300
a	Mínimo	1140 (45)	1770 (69 5/8)	2400 (94 5/8)	3030 (119 4/8)	3660 (144 3/8)	4610 (181 5/8)	5560 (218 7/8)	6190 (243 5/8)	7760 (305 6/8)	9340 (367 6/8)
	Máximo	1210 (47 4/8)	1860 (73 4/8)	2520 (99 3/8)	3180 (125 3/8)	3840 (151 2/8)	4830 (190 1/8)	5810 (229)	6470 (254 7/8)	8120 (319 6/8)	9760 (384 4/8)
b		x-249 (x-9 7/8)	x-374 (x-14 3/4)	x-498 (x-19 5/8)	x-623 (x-24 5/8)	x-747 (x-29 1/2)	x-934 (x-36 7/8)	x-1121 (x-44 1/4)	x-1245 (x-49 1/8)	x-1556 (x-61 3/8)	x-1868 (x-73 5/8)
c		x-349 (x-13 3/4)	x-473 (x-18 5/8)	x-598 (x-23 5/8)	x-722 (x-28 1/2)	x-847 (x-33 3/8)	x-1033 (x-40 3/4)	x-1220 (x-48 1/8)	x-1345 (x-53)	x-1656 (x-65 1/4)	x-1967 (x-77 1/2)

Para calcular las medidas de instalación (unidad: mm)

SS: tamaño diagonal de la pantalla (pulgadas)

$$a \text{ (mínimo)} = \{(SS \times 41,75/1,3573) - 116,2604\} \times 1,025$$

$$a \text{ (máximo)} = \{(SS \times 45,8210/1,3573) - 112,9154\} \times 0,975$$

$$b = x - (SS/1,3573 \times 8,45)$$

$$c = x - (SS/1,3573 \times 8,45 + 99,5)$$

Unidad: mm (pulgadas)

Tamaño de la pantalla 4:3 (pulgadas)		40	60	80	100	120	150	180	200	250	300
a	Mínimo	1420 (56 1/8)	2200 (86 5/8)	2970 (117)	3740 (147 3/8)	4510 (177 6/8)	5670 (223 3/8)	6830 (269)	7600 (299 3/8)	9530 (375 3/8)	11460 (451 2/8)
	Máximo	1500 (59 2/8)	2310 (91)	3110 (122 5/8)	3920 (154 3/8)	4730 (186 1/8)	5930 (233 6/8)	7140 (281 3/8)	7950 (313)	9960 (392 3/8)	11980 (471 6/8)
b		x-305 (x-12 1/8)	x-457 (x-18)	x-610 (x-24 1/8)	x-762 (x-30)	x-915 (x-36 1/8)	x-1143 (x-45)	x-1372 (x-54 1/8)	x-1524 (x-60)	x-1905 (x-75 1/8)	x-2287 (x-90 1/8)
c		x-404 (x-16)	x-557 (x-22)	x-709 (x-28)	x-862 (x-34)	x-1014 (x-40)	x-1243 (x-49)	x-1471 (x-58)	x-1624 (x-64)	x-2005 (x-79)	x-2386 (x-94)

Para calcular las medidas de instalación (unidad: mm)

SS: tamaño diagonal de la pantalla (pulgadas)

$$a \text{ (mínimo)} = \{(SS \times 41,75/1,1087) - 116,2604\} \times 1,025$$

$$a \text{ (máximo)} = \{(SS \times 45,8210/1,1087) - 112,9154\} \times 0,975$$

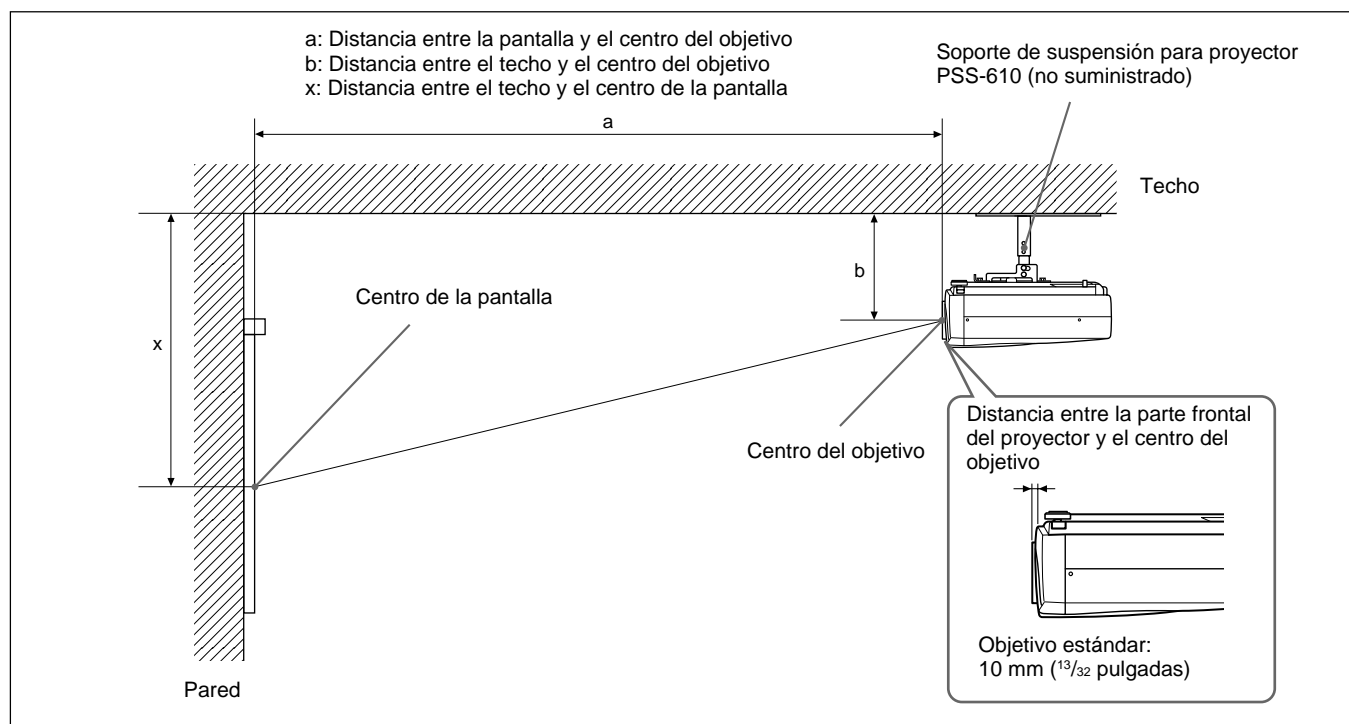
$$b = x - (SS/1,1087 \times 8,45)$$

$$c = x - (SS/1,1087 \times 8,45 + 99,5)$$

Instalación en el techo

Cuando instale el proyector en el techo, utilice el soporte de suspensión para proyector PSS-610.

Para realizar la instalación en el techo, consulte con personal Sony especializado.



Unidad: mm (pulgadas)

Tamaño de la pantalla 16:9 (pulgadas)		80	100	120	150	180	200	250	300
a	Mínimo	2600 (102 3/8)	3270 (128 7/8)	3930 (154 3/4)	4940 (194 5/8)	5940 (234)	6610 (260 3/8)	8270 (325 3/4)	9940 (391 1/2)
	Máximo	3010 (118 5/32)	3780 (148 7/8)	4550 (179 1/4)	5710 (224 7/8)	6860 (270 1/8)	7630 (300 1/2)	9560 (376 1/2)	11480 (452 1/8)
x		b+498 (b+19 5/8)	b+623 (b+24 5/8)	b+747 (b+29 1/2)	b+934 (b+36 7/8)	b+1121 (b+44 1/4)	b+1245 (b+49 1/8)	b+1556 (b+61 3/8)	b+1868 (b+73 5/8)
b		247/272/297/347/372/397 mm (9 3/4/10 3/4/11 3/4/13 3/4/14 3/4/15 3/4 pulgadas) ajustable al utilizar PSS-610							

Para calcular las medidas de instalación (unidad: mm)

SS: tamaño diagonal de la pantalla (pulgadas)

$$a \text{ (mínimo)} = \{(SS \times 44,22/1,3573) - 70,76208\} \times 1,025$$

$$a \text{ (máximo)} = \{(SS \times 53,599173/1,3573) - 70,17171\} \times 0,975$$

$$x = b + (SS/1,3573 \times 8,45)$$

Unidad: mm (pulgadas)

Tamaño de la pantalla 4:3 (pulgadas)		80	100	120	150	180	200	250	300
a	Mínimo	3200 (126)	4020 (158 5/16)	4830 (190 1/4)	6060 (238 5/8)	7290 (287 1/8)	8100 (319)	10150 (399 3/4)	12190 (480)
	Máximo	3700 (145 3/4)	4650 (183 1/8)	5590 (220 1/8)	7000 (275 5/8)	8420 (331 5/8)	9360 (368 5/8)	11720 (461 1/2)	14070 (554 1/8)
x		b+610 (b+24 1/8)	b+762 (b+30)	b+915 (b+36 1/8)	b+1143 (b+45)	b+1372 (b+54 1/8)	b+1524 (b+60)	b+1905 (b+75 1/8)	b+2287 (b+90 1/8)
b		247/272/297/347/372/397 mm (9 3/4/10 3/4/11 3/4/13 3/4/14 3/4/15 3/4 pulgadas) ajustable al utilizar PSS-610							

Para calcular las medidas de instalación (unidad: mm)

SS: tamaño diagonal de la pantalla (pulgadas)

$$a \text{ (mínimo)} = \{(SS \times 44,22/1,1087) - 70,76208\} \times 1,025$$

$$a \text{ (máximo)} = \{(SS \times 53,597384/1,1087) - 70,27214\} \times 0,975$$

$$x = b + (SS/1,1087 \times 8,45)$$

Si instala el proyector en el techo y utiliza el objetivo de proyección VPLL-ZM101 o VPLL-ZM31, consulte el gráfico siguiente para obtener las medidas de instalación adecuadas.

Acerca de la instalación del objetivo

Si el objetivo lo instala personal no especializado, pueden producirse incendios o daños a las personas. Los usuarios deben solicitar los servicios de un técnico Sony especializado para instalar el objetivo.

Para el objetivo de proyección VPLL-ZM101

Unidad: mm (pulgadas)

Tamaño de la pantalla 16:9 (pulgadas)		80	100	120	150	180	200	250	300
a	Mínimo	5210 (205 ² / ₈)	6570 (258 ⁹ / ₈)	7930 (312 ¹ / ₈)	9960 (392 ² / ₈)	11990 (472 ³ / ₈)	13350 (525 ⁶ / ₈)	16740 (659 ³ / ₈)	20130 (792 ⁵ / ₈)
	Máximo	7700 (303 ² / ₈)	9670 (381)	11650 (458 ⁷ / ₈)	14620 (575 ⁵ / ₈)	17580 (692 ² / ₈)	19560 (770 ¹ / ₈)	24500 (964 ⁵ / ₈)	29440 (1159 ² / ₈)
x		b+498 (b+19 ⁵ / ₈)	b+623 (b+24 ⁵ / ₈)	b+747 (b+29 ¹ / ₂)	b+934 (b+36 ⁷ / ₈)	b+1121 (b+44 ¹ / ₄)	b+1245 (b+49 ¹ / ₈)	b+1556 (b+61 ³ / ₈)	b+1868 (b+73 ⁵ / ₈)
b		247/272/297/347/372/397 mm (9 ³ / ₄ /10 ³ / ₄ /11 ³ / ₄ /13 ³ / ₄ /14 ³ / ₄ /15 ³ / ₄ pulgadas) ajustable al utilizar PSS-610							

Para calcular las medidas de instalación (unidad: mm)

SS: tamaño diagonal de la pantalla (pulgadas)

$$a \text{ (mínimo)} = \{(SS \times 89,8220/1,3573) - 209,2626\} \times 1,025$$

$$a \text{ (máximo)} = \{(SS \times 137,5601/1,3573) - 211,5915\} \times 0,975$$

$$x = b + (SS/1,3573 \times 8,45)$$

Unidad: mm (pulgadas)

Tamaño de la pantalla 4:3 (pulgadas)		80	100	120	150	180	200	250	300
a	Mínimo	6430 (253 ² / ₈)	8090 (318 ⁵ / ₈)	9750 (384)	12240 (482)	14730 (580)	16390 (645 ⁵ / ₈)	20550 (809)	24700 (972 ⁵ / ₈)
	Máximo	9470 (373)	11890 (468 ² / ₈)	14310 (563 ⁴ / ₈)	17940 (706 ⁴ / ₈)	21570 (849 ³ / ₈)	23990 (944 ⁵ / ₈)	30040 (1182 ⁶ / ₈)	36090 (1421)
x		b+610 (b+24 ¹ / ₈)	b+762 (b+30)	b+915 (b+36 ¹ / ₈)	b+1143 (b+45)	b+1372 (b+54 ¹ / ₈)	b+1524 (b+60)	b+1905 (b+75 ¹ / ₈)	b+2287 (b+90 ¹ / ₈)
b		247/272/297/347/372/397 mm (9 ³ / ₄ /10 ³ / ₄ /11 ³ / ₄ /13 ³ / ₄ /14 ³ / ₄ /15 ³ / ₄ pulgadas) ajustable al utilizar PSS-610							

Para calcular las medidas de instalación (unidad: mm)

SS: tamaño diagonal de la pantalla (pulgadas)

$$a \text{ (mínimo)} = \{(SS \times 89,8220/1,1087) - 209,2626\} \times 1,025$$

$$a \text{ (máximo)} = \{(SS \times 137,5601/1,1087) - 211,5915\} \times 0,975$$

$$x = b + (SS/1,1087 \times 8,45)$$

Para el objetivo de proyección VPLL-ZM31

Unidad: mm (pulgadas)

Tamaño de la pantalla 16:9 (pulgadas)		80	100	120	150	180	200	250	300
a	Mínimo	2400 (94 ⁵ / ₈)	3030 (119 ⁴ / ₈)	3660 (144 ³ / ₈)	4610 (181 ⁵ / ₈)	5560 (218 ⁷ / ₈)	6190 (243 ⁵ / ₈)	7760 (305 ⁶ / ₈)	9340 (367 ⁶ / ₈)
	Máximo	2520 (99 ³ / ₈)	3180 (125 ³ / ₈)	3840 (151 ² / ₈)	4830 (190 ¹ / ₈)	5810 (229)	6470 (254 ⁷ / ₈)	8120 (319 ⁶ / ₈)	9760 (384 ⁴ / ₈)
x		b+498 (b+19 ⁵ / ₈)	b+623 (b+24 ⁹ / ₈)	b+747 (b+29 ¹ / ₂)	b+934 (b+36 ⁷ / ₈)	b+1121 (b+44 ¹ / ₄)	b+1245 (b+49 ¹ / ₈)	b+1556 (b+61 ³ / ₈)	b+1868 (b+73 ⁵ / ₈)
b		247/272/297/347/372/397 mm (9 ³ / ₄ /10 ³ / ₄ /11 ³ / ₄ /13 ³ / ₄ /14 ³ / ₄ /15 ³ / ₄ pulgadas) ajustable al utilizar PSS-610							

Para calcular las medidas de instalación (unidad: mm)

SS: tamaño diagonal de la pantalla (pulgadas)

$$a \text{ (mínimo)} = \{(SS \times 41,75/1,3573) - 116,2604\} \times 1,025$$

$$a \text{ (máximo)} = \{(SS \times 45,8210/1,3573) - 112,9154\} \times 0,975$$

$$x = b + (SS/1,3573 \times 8,45)$$

Unidad: mm (pulgadas)

Tamaño de la pantalla 4:3 (pulgadas)		80	100	120	150	180	200	250	300
a	Mínimo	2970 (117)	3740 (147 ³ / ₈)	4510 (177 ⁶ / ₈)	5670 (223 ³ / ₈)	6830 (269)	7600 (299 ³ / ₈)	9530 (375 ³ / ₈)	11460 (451 ² / ₈)
	Máximo	3110 (122 ⁵ / ₈)	3920 (154 ³ / ₈)	4730 (186 ¹ / ₈)	5930 (233 ⁶ / ₈)	7140 (281 ³ / ₈)	7950 (313)	9960 (392 ³ / ₈)	11980 (471 ⁶ / ₈)
x		b+610 (b+24 ¹ / ₈)	b+762 (b+30)	b+915 (b+36 ¹ / ₈)	b+1143 (b+45)	b+1372 (b+54 ¹ / ₈)	b+1524 (b+60)	b+1905 (b+75 ¹ / ₈)	b+2287 (b+90 ¹ / ₈)
b		247/272/297/347/372/397 mm (9 ³ / ₄ /10 ³ / ₄ /11 ³ / ₄ /13 ³ / ₄ /14 ³ / ₄ /15 ³ / ₄ pulgadas) ajustable al utilizar PSS-610							

Para calcular las medidas de instalación (unidad: mm)

SS: tamaño diagonal de la pantalla (pulgadas)

$$a \text{ (mínimo)} = \{(SS \times 41,75/1,1087) - 116,2604\} \times 1,025$$

$$a \text{ (máximo)} = \{(SS \times 45,8210/1,1087) - 112,9154\} \times 0,975$$

$$x = b + (SS/1,1087 \times 8,45)$$

Instalación del soporte de suspensión para proyector PSS-610

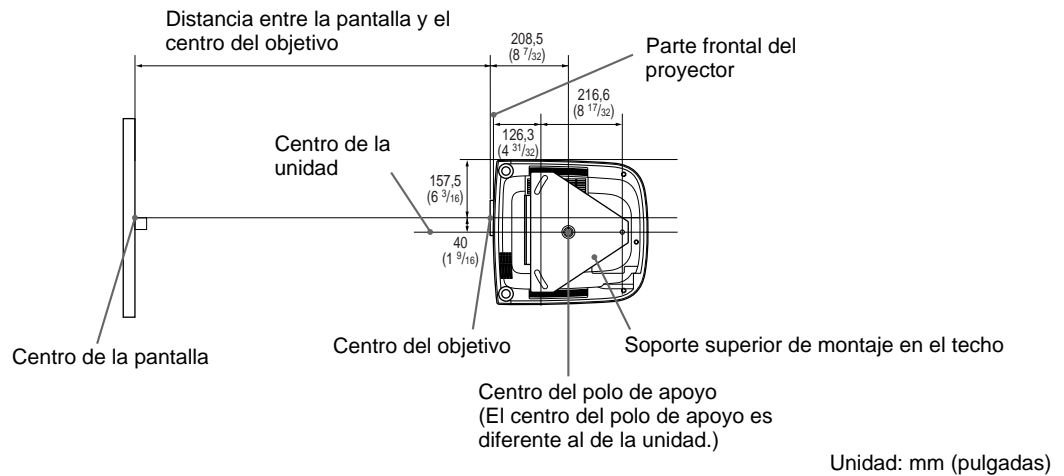
Cuando instale el proyector en el techo, utilice el soporte de suspensión para proyector PSS-610. Para obtener información detallada sobre la instalación en

el techo, consulte el manual de instalación para proveedores del PSS-610. Las medidas para instalar el proyector en el techo se muestran a continuación.

Diagrama de instalación

Vista superior

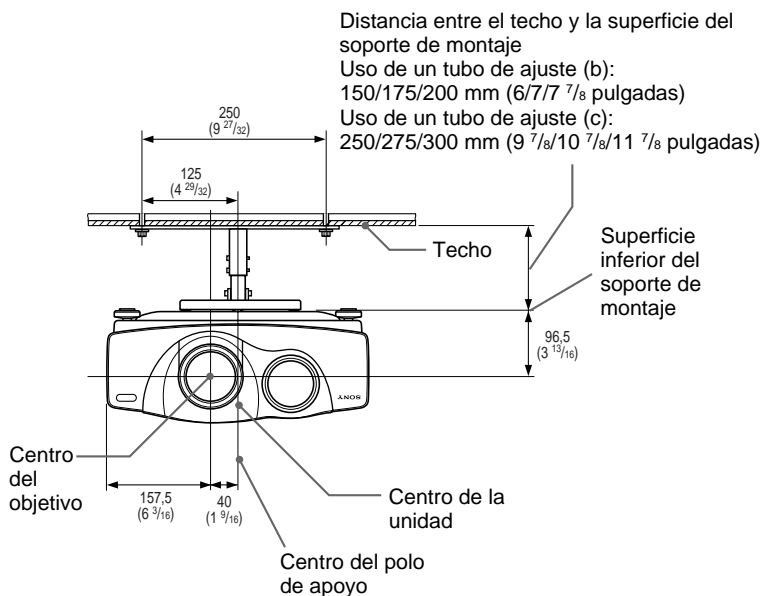
Alinee el centro del objetivo con el centro de la pantalla.



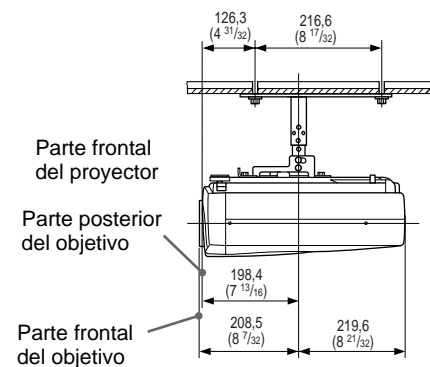
Vista frontal

El objetivo está desplazado 40 mm (1 9/16 pulgadas) a la izquierda desde el centro del polo de apoyo.

Cuando realice el montaje, alinee el centro del objetivo con el centro de la pantalla, no con el centro del polo de apoyo.



Vista lateral

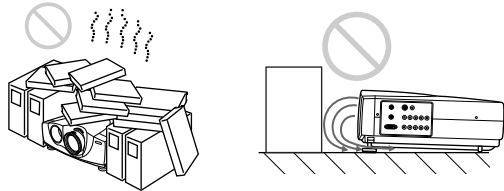


Notas para la instalación

Instalación inadecuada

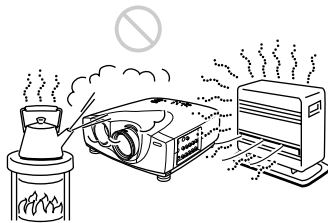
No instale el proyector en las siguientes situaciones. Estas instalaciones pueden producir fallos de funcionamiento o daños al proyector.

Ventilación escasa



- **Permita una circulación de aire adecuada para prevenir el recalentamiento interno.** No instale la unidad sobre superficies (alfombras, mantas, etc.) ni cerca de materiales (cortinas, tapices) que puedan bloquear los orificios de ventilación. Si se produce recalentamiento interno debido al bloqueo de los orificios de ventilación, es posible que el sensor de temperatura se active y que aparezca el mensaje “Temperatura alta! Apag. 1 min”. Transcurrido un minuto, es posible que la alimentación se desactive automáticamente.
- Deje un espacio superior a 30 cm (11 7/8 pulgadas) alrededor de la unidad.
- **Tenga cuidado de que los orificios de ventilación no aspiren objetos pequeños, como trozos de papel.**
- Si coloca algún objeto enfrente de los orificios de ventilación frontales, la exhaustación podría introducirse en el proyector mediante los orificios de ventilación de la parte inferior, causando el aumento de la temperatura interna, que activa el circuito de protección. **Instale el proyector de forma que la exhaustación no quede bloqueada.**

Calor y humedad excesivos



- Evite instalar la unidad en un lugar donde la temperatura o la humedad sea demasiado alta, o donde la temperatura sea muy baja.
- Para evitar la condensación de humedad, no instale la unidad en un lugar donde la temperatura pueda aumentar rápidamente.

Polvo excesivo

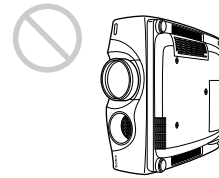


Evite instalar la unidad en lugares con mucho polvo; en caso contrario, el filtro de aire puede obstruirse. **Si el polvo bloquea el paso de aire a través del filtro, es posible que el calentamiento interno del proyector aumente.** Sustitúyalo por uno nuevo periódicamente.

Condiciones de uso inadecuadas

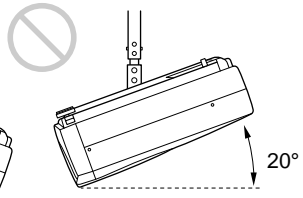
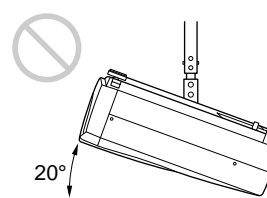
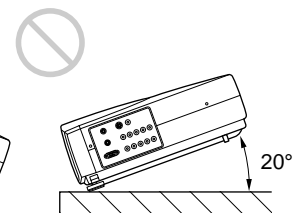
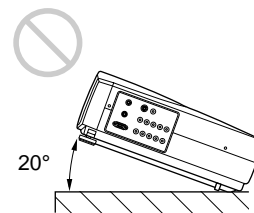
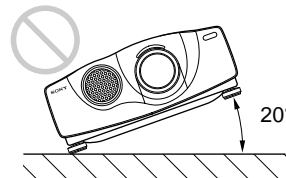
No realice lo siguiente.

En posición vertical



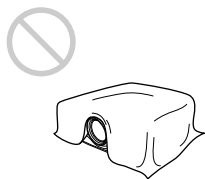
Evite utilizar la unidad en posición vertical apoyada sobre su lateral. Pueden producirse fallos de funcionamiento.

Inclinación hacia la parte frontal/posterior y derecha/izquierda

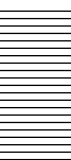


Evite utilizar la unidad con una inclinación superior a 20 grados. Instale la unidad únicamente sobre una superficie plana o en el techo. Si la unidad no se instala correctamente, pueden producirse fallos de funcionamiento.

Bloqueo de los orificios de ventilación



Evite emplear algo que cubra los orificios de ventilación; en caso contrario, es posible que aumente el nivel de calentamiento interno.



Mantenimiento

Notas

- Si la lámpara se rompe, consulte con personal Sony especializado.
- Tire de la unidad de lámpara hacia fuera agarrando el asa. Si toca la unidad de lámpara, puede quemarse o causarse heridas.
- Cuando extraiga la unidad de lámpara, asegúrese de que la mantiene en posición horizontal y, a continuación, tire hacia arriba. No incline la unidad de lámpara. Si tira de la unidad de lámpara para extraerla mientras está inclinada y si la lámpara se rompe, los trozos pueden esparcirse, causando heridas.

Sustitución de la lámpara

Cuando la luz de la lámpara pierda luminosidad, sustitúyala inmediatamente por una lámpara de proyector LMP-P201 nueva (no suministrada). Se recomienda sustituir la lámpara por una nueva después de aproximadamente 2000 horas de uso del ajuste NO, o aproximadamente 3000 horas de uso del ajuste SI del elemento CINE NEGRO.

Cuando sea preciso cambiar la lámpara, aparecerá el mensaje “Por favor cambie la lámpara”.

Al sustituir la lámpara después de utilizar el proyector

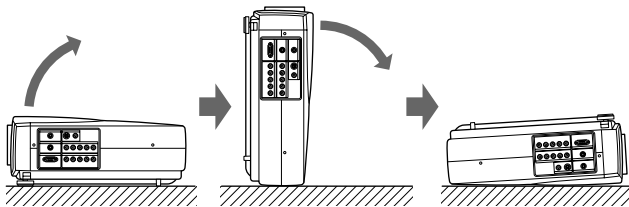
Apague el proyector y desenchufe el cable de alimentación.

Espere al menos una hora hasta que la lámpara se enfríe.

Nota

La temperatura de la lámpara permanece elevada después de apagar el proyector con la tecla I / ⏻. Si toca la lámpara, es posible que se quemé. Al sustituir la lámpara, espere al menos una hora hasta que se enfríe.

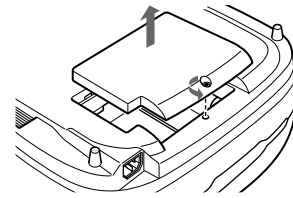
- 1 Coloque una hoja (pañó) de protección debajo del proyector. Agarre el proyector y gírelo hacia la parte trasera como se muestra a continuación.



Nota

Cuando sustituya la lámpara, asegúrese de que se encuentra sobre una superficie plana y estable.

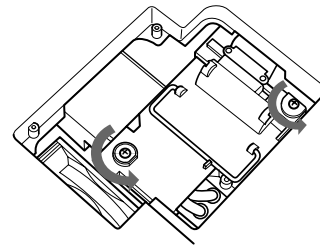
- 2 Abra la cubierta de la lámpara. Para ello, afloje el tornillo con el destornillador Phillips que se suministra con la lámpara de proyector LMP-P201.



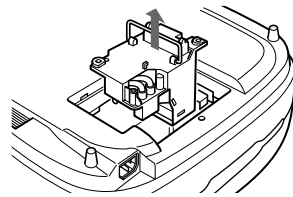
- 3 Afloje los dos tornillos de la unidad de lámpara con el destornillador Phillips.

Nota

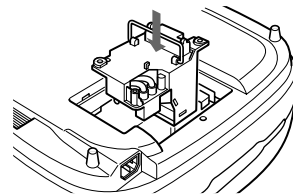
Los tornillos no pueden extraerse de la unidad de lámpara.



- 4 Mientras agarra el asa y mantiene la unidad de lámpara en posición horizontal, tire hacia arriba.



- 5 Inserte por completo la lámpara nueva hasta que quede encajada en su sitio. Apriete los tornillos. Pliegue el asa hacia abajo.



Notas

- Tenga cuidado para no tocar la superficie de vidrio de la lámpara.
- La alimentación no se activará si la lámpara no está correctamente instalada.
- Con este proyector no puede utilizarse la LMP-P200.

(continúa)

- 6 Cierre la cubierta de la lámpara y apriete el tornillo.
- 7 Vuelva a darle la vuelta al proyector.
- 8 Conecte el cable de alimentación y ajuste el proyector en el modo de espera.
- 9 Pulse las siguientes teclas del panel de control en el siguiente orden durante menos de cinco segundos cada una: RESET, ←, →, ENTER.

Notas

- Con el fin de evitar descargas eléctricas o incendios, **no introduzca las manos en el receptáculo de sustitución de la lámpara, ni permita que se introduzcan líquidos u objetos.**
- **Asegúrese de utilizar la lámpara de proyector LMP-P201** para la sustitución. Si utiliza otras lámparas que no sean la LMP-P201, el proyector puede causar fallos de funcionamiento.
- Compruebe que apaga el proyector y desenchufa el cable de alimentación antes de sustituir la lámpara.

Desecho de lámparas de proyector usadas

Puesto que los materiales utilizados en esta lámpara son similares a los de una lámpara fluorescente, deberá desechar la lámpara de proyector usada de la misma forma que una lámpara fluorescente.

Sustitución del filtro de aire!

El filtro de aire debe sustituirse cuando se visualice un mensaje de advertencia en la pantalla!

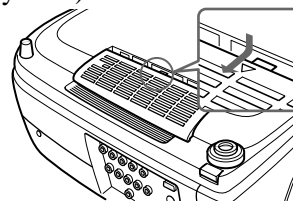
Para sustituir el filtro de aire, realice los pasos siguientes:

Nota

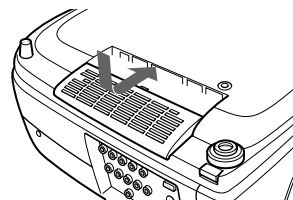
Si continúa utilizando la unidad sin sustituir el filtro de aire, éste puede comenzar a obstruirse con polvo. Cuando suceda esto y aumente la temperatura interna de la unidad, la función de protección contra el calor puede evitar la utilización del proyector durante cierto tiempo. **Este filtro no puede limpiarse; sustitúyalo periódicamente.** Es posible que tenga que sustituir el filtro antes de lo sugerido, dependiendo del medio ambiente de utilización.

- 1 Desactive la alimentación y desenchufe el cable de alimentación.

- 2 Mientras presiona la marca de triángulo del filtro de aire, deslice y extraiga éste (de la parte inferior del proyector).



- 3 Instale el filtro de aire nuevo alineándolo con las guías del proyector. Deslice el filtro de aire hasta que oiga un “clic”.



Notas

- **Asegúrese de fijar firmemente el filtro de aire.** La alimentación no se podrá activar si el filtro no se fija firmemente. Además, si quedan márgenes de espacio abiertos entre el filtro de aire y la unidad, es posible que se acumule polvo y que, como resultado, se deteriore la calidad de imagen.
- El tiempo para sustitución del filtro de aire dependerá del medio ambiente en el que esté utilizando el proyector.
- Cuando el filtro de aire se obstruya con polvo, se visualizará un mensaje que dice “Por favor cambie el filtro.”

Para reponer el filtro

Después de haber sustituido el filtro de aire, realice los pasos siguientes para reponerlo.

Cuando vaya a utilizar el proyector por primera vez, también deberá reponer el filtro de aire para que la función de detección de obstrucciones trabaje correctamente.

- 1 Conecte el cable de alimentación y ponga el proyector en el modo de espera.
- 2 Pulse las teclas siguientes del panel de control en el orden siguiente durante menos de cinco segundos cada una: RESET, MENU, ↓, ENTER.
- 3 Conecte la alimentación pulsando la tecla I / ⏻ del panel de control o la tecla I del mando a distancia.

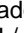
Nota

Cerciórese de seguir las operaciones descritas anteriormente. La función de detección de obstrucciones del filtro no trabajará correctamente si no sigue estos pasos.

Solución de problemas

Si el proyector parece no funcionar correctamente, intente diagnosticar y corregir el problema utilizando la siguiente guía. Si el problema no se soluciona, consulte con personal Sony especializado.

Alimentación

Problema	Causa	Solución
La alimentación no se activa.	La alimentación se ha desactivado y activado de nuevo con la tecla I /  en un intervalo de tiempo demasiado corto.	Espere unos 120 segundos antes de activar la alimentación (<i>consulte la página 20 (ES)</i>).
	La cubierta de la lámpara no está fijada.	Cierre firmemente la cubierta de la lámpara (<i>consulte la página 39 (ES)</i>).
	El filtro de aire no está fijado.	Fije el filtro de aire firmemente (<i>consulte la página 40 (ES)</i>).

Imagen

Problema	Causa	Solución
Ausencia de imagen.	El cable está desconectado o no está correctamente conectado.	Compruebe que ha realizado las conexiones adecuadas (<i>consulte las páginas 14 (ES) a 16 (ES)</i>).
	Ajuste de entrada no válido.	Defina el ajuste ENTRAD A/B en función de la señal de entrada.
	La selección de entrada es incorrecta.	Seleccione la fuente de entrada correctamente con la tecla INPUT (<i>consulte la página 18 (ES)</i>).
	La imagen está desactivada.	Pulse la tecla MUTING PIC para cancelar la función de desactivación (<i>consulte la página 18 (ES)</i>).
	Las señales de salida de ordenador no están ajustadas para enviarse desde un monitor externo.	Ajuste la señal del ordenador para enviarse al monitor externo (<i>consulte la página 15 (ES)</i>).
	La señal del ordenador está ajustada para enviarse al LCD del mismo y a un monitor externo.	Ajuste la señal del ordenador para enviarse solamente al monitor externo (<i>consulte la página 15 (ES)</i>).
La imagen parpadea.	Ocasionalmente, la imagen puede parpadear si se utiliza el proyector con la opción CINE NEGRO del menú AJUSTE INST en SI.	Ajuste la opción CINE NEGRO en NO y borre la pantalla de menú una vez. A continuación, vuelva a mostrar el menú AJUSTE INST y ajuste la opción CINE NEGRO en SI (<i>consulte la página 29 (ES)</i>).
	Ocasionalmente, la imagen puede parpadear hasta que se caliente por completo la lámpara del proyector (tarda aproximadamente unos 20 minutos una vez se haya encendido la unidad).	Puesto que no se trata de un fallo de funcionamiento, siga utilizando la unidad normalmente a pesar del parpadeo.
La imagen aparece con ruido.	Si introduce señales de ordenador, aparecerá cierto ruido de fondo en determinadas pantallas dependiendo del número de puntos de las señales de entrada y píxeles LCD.	Cambie el patrón del escritorio del ordenador conectado.
La indicación en pantalla no aparece.	Ha ajustado ESTADO en el menú AJUSTE en NO.	Ajuste ESTADO en el menú AJUSTE en SI (<i>consulte la página 28 (ES)</i>).

Mando a distancia

Problema	Causa	Solución
El mando a distancia no funciona.	Las pilas del mando a distancia están agotadas.	Sustitúyalas por unas nuevas (<i>consulte la página 13 (ES)</i>).
	El cable de control remoto no está conectado al conector CONTROL S IN (proyector) o CONTROL S OUT (mando a distancia).	Conecte el cable de control remoto al proyector y al mando a distancia, o desconecte el cable (<i>consulte la página 13 (ES)</i>).
	El detector de control remoto frontal/posterior está cerca de una lámpara fluorescente.	Cambie el ajuste de RECEPTOR SIRCS en el menú AJUSTE (<i>consulte la página 28 (ES)</i>).
	No hay pilas en el mando a distancia.	Instale pilas (<i>consulte la página 13 (ES)</i>).

Otros

Problema	Causa	Solución
El indicador LAMP/COVER parpadea.	La cubierta de la lámpara o el filtro de aire no está fijado.	Fije la cubierta de la lámpara o el filtro de aire de forma segura (<i>consulte las páginas 39 (ES) y 40 (ES)</i>).
El indicador LAMP/COVER se ilumina.	La lámpara ha llegado al final de su duración.	Sustituya la lámpara (<i>consulte las páginas 39 (ES) y 40 (ES)</i>).
	La temperatura de la lámpara es demasiado alta.	Espere 120 segundos para que la lámpara se enfríe y vuelva a activar la alimentación (<i>consulte la página 20 (ES)</i>).
El indicador TEMP/FAN parpadea.	El ventilador está averiado.	Consulte con personal Sony especializado.
El indicador TEMP/FAN se ilumina.	La temperatura interna es inusualmente alta.	Compruebe que nada bloquea los orificios de ventilación. Compruebe el filtro de aire para asegurarse de que no esté obstruido con polvo. (Un filtro de aire no debe utilizarse durante más de 500 horas.)
Los indicadores LAMP/COVER y TEMP/FAN se iluminan.	Ha fallado el sistema eléctrico.	Consulte con personal Sony especializado.

Mensajes de aviso

Utilice la siguiente lista para comprobar el significado de los mensajes mostrados en pantalla.

Mensaje	Significado	Solución
Temperatura. alta! Apag. 1min.	La temperatura interna es demasiado alta.	Desactive la alimentación. Compruebe que nada bloquea los orificios de ventilación. Compruebe el filtro de aire para asegurarse de que no esté obstruido con polvo. (Un filtro de aire no debe utilizarse durante más de 500 horas.)
Frecuencia fuera de rango!	Esta señal de entrada no puede proyectarse, ya que la frecuencia se encuentra fuera del margen admisible del proyector.	Introduzca una señal que se encuentre dentro del margen de la frecuencia.
	El ajuste de resolución de la señal de salida del ordenador es demasiado alto.	Defina el ajuste de salida en XGA (<i>consulte la página 15 (ES)</i>).
Compruebe ajuste ENTRAD A.	Ha introducido la señal RGB del ordenador con ENTRAD A del menú AJUSTE definido en COMPONENTE, DTV YPbPr o DTV GBR.	Ajuste ENTRAD A correctamente (<i>consulte la página 28 (ES)</i>).
Compruebe ajuste ENTRAD B.	Ha introducido la señal RGB del ordenador con ENTRAD B del menú AJUSTE definido en COMPONENTE, DTV YPbPr o DTV GBR.	Ajuste ENTRAD B correctamente (<i>consulte la página 28 (ES)</i>).
Por favor cambie la lámpara.	Es preciso sustituir la lámpara.	Sustituya la lámpara.
Por favor cambie el filtro.	El filtro de aire está obstruido con polvo.	Sustituya el filtro de aire.

Mensajes de precaución

Utilice la siguiente lista para comprobar el significado de los mensajes mostrados en pantalla.

Mensaje	Significado	Solución
SIN ENTRADA	No se introduce ninguna señal.	Compruebe las conexiones de entrada (<i>consulte las páginas 14 (ES) a 16 (ES)</i>).
No aplicable!	Ha pulsado una tecla incorrecta.	Pulse la tecla apropiada.

Especificaciones

Características ópticas

Sistema de proyección

3 paneles LCD, 1 objetivo

Panel LCD

Panel LCD de p-Si TFT de
1,35 pulgadas
3.147.264 píxeles
(1.049.088 píxeles × 3)

Objetivo

Zoom de aprox. 1,2 veces
f 44,6 a 53,6 mm/F 2,4 a 2,7

Lámpara

UHP de 200 W

Tamaño de imagen de proyección

Margen: 40 a 300 pulgadas
(medida diagonal)

Salida de iluminación

ANSI lumen¹⁾ 1000 lm

Distancia de proyección

<16:9>
40 pulgadas: 1260 a 1470 mm
(49 ⁵/₈ a 58 pulgadas)
60 pulgadas: 1930 a 2240 mm
(76 a 88 ¹/₄ pulgadas)
80 pulgadas: 2600 a 3010 mm
(102 ³/₈ a 118 ⁵/₈ pulgadas)
100 pulgadas: 3270 a 3780 mm
(128 ⁷/₈ a 148 ⁷/₈ pulgadas)
120 pulgadas: 3930 a 4550 mm
(154 ³/₄ a 179 ¹/₄ pulgadas)
150 pulgadas: 4940 a 5710 mm
(194 ⁵/₈ a 224 ⁷/₈ pulgadas)
180 pulgadas: 5940 a 6860 mm
(234 a 270 ¹/₈ pulgadas)
200 pulgadas: 6610 a 7630 mm
(260 ³/₈ a 300 ¹/₂ pulgadas)
250 pulgadas: 8270 a 9560 mm
(325 ³/₄ a 376 ¹/₂ pulgadas)
300 pulgadas: 9940 a 11480 mm
(391 ¹/₂ a 452 ¹/₈ pulgadas)

<4:3>
40 pulgadas: 1560 a 1820 mm
(61 ¹/₂ a 71 ³/₄ pulgadas)
60 pulgadas: 2380 a 2760 mm
(93 ³/₄ a 108 ³/₄ pulgadas)
80 pulgadas: 3200 a 3700 mm
(126 a 145 ³/₄ pulgadas)
100 pulgadas: 4020 a 4650 mm
(158 ⁵/₁₆ a 183 ¹/₈ pulgadas)
120 pulgadas: 4830 a 5590 mm
(190 ¹/₄ a 220 ¹/₈ pulgadas)

150 pulgadas: 6060 a 7000 mm
(238 ⁵/₈ a 275 ⁵/₈ pulgadas)
180 pulgadas: 7290 a 8420 mm
(287 ¹/₈ a 331 ⁵/₈ pulgadas)
200 pulgadas: 8100 a 9360 mm
(319 a 368 ⁵/₈ pulgadas)
250 pulgadas: 10150 a 11720 mm
(399 ³/₄ a 461 ¹/₂ pulgadas)
300 pulgadas: 12190 a 14070 mm
(480 a 554 ¹/₈ pulgadas)

Características eléctricas

Sistema de color Sistema NTSC_{3.58}/PAL/SECAM/
NTSC_{4.43}/PAL-M/PAL-N,
conmutado automática/
manualmente

Resolución 750 líneas de TV horizontales
(Entrada de vídeo)
1366 × 768 píxeles (entrada
RGB)

Rango aceptable para las señales del ordenador
fH: 15 a 80 kHz
fV: 50 a 85 Hz

Entrada/Salida

VIDEO IN VIDEO: tipo RCA
Vídeo compuesto: 1 Vp-p ±2 dB
sincronización negativa
(terminación de 75 ohmios)
S VIDEO: tipo Y/C mini DIN de 4
pines (hembra)
Y (luminancia): 1 Vp-p ±2 dB
sincronización negativa
(terminación de 75 ohmios)
C (crominancia): sincronización
de color 0,286 Vp-p ±2 dB
(NTSC)
(terminación de 75 ohmios),
sincronización de color 0,3 Vp-p
±2 dB (PAL)
(terminación de 75 ohmios)

INPUT A/B Componente/componente
progresivo/HDTV/RGB:
Tipo RCA (hembra)
G: 0,7 Vp-p ±2 dB (terminación
de 75 ohmios)
G con sincronización/Y: 1 Vp-p
±2 dB sincronización negativa
(terminación de 75 ohmios)

1) ANSI lumen es un método de medida de American National Standards Institute IT 7.228.

	B/CB/PB: 0,7 Vp-p \pm 2 dB R/CR/PR: 0,7 Vp-p \pm 2 dB (terminación de 75 ohmios) SYNC/HD: Entrada de sincronización compuesta: 1-5 Vp-p alta impedancia, positiva/negativa Entrada de sincronización horizontal: 1-5 Vp-p alta impedancia, positiva/negativa VD: Entrada de sincronización vertical: 1-5 Vp-p alta impedancia, positiva/negativa
REMOTE	RS-232C: D-sub de 9 pines (hembra)
CONTROL S IN/PLUG IN POWER	Minitoma estéreo de 5 Vp-p, alimentación por enchufe, CC5 V
TRIGGER	Alimentación activada: CC 12 V Impedancia de salida de 4,7 k ohmios Alimentación desactivada: 0 V
Normas de seguridad:	UL, cUL (CSA), FCC Clase B, IC Clase B, NEMKO, CE (LVD/ EMC), C-Tick

Generales

Dimensiones	395 \times 168 \times 427 mm (15 ⁵ / ₈ \times 6 ⁵ / ₈ \times 16 ⁷ / ₈ pulgadas) (an/al/prf)
Peso	Aprox. 8 kg (17 lb 10 oz)
Requisitos de alimentación	CA 100 a 240 V, 50/60 Hz
Consumo de energía	Máx. 300 W (Modo de espera: 6 W)
Corriente de irrupción pico	(1) Alimentación activada, método de sondeo de corriente: 58,0 A (240 V) (2) Corriente de irrupción de conmutación en caliente, medida de acuerdo con el estándar europeo EN55103-1: 24,3 A (230 V)
Temperatura de funcionamiento	0 °C a 35 °C (32 °F a 95 °F)
Humedad de funcionamiento	35 % a 85 % (sin condensación)
Temperatura de almacenamiento	-20 °C a 60 °C (-4 °F a 140 °F)

Humedad de almacenamiento	10 % a 90 %
Accesorios suministrados	Mando a distancia RM-PJVW10 (1) Pilas R6 (tamaño AA) (2) Tapa del objetivo (1) Cable de alimentación de CA (1) Filtro de cine (1) Filtro de aire (para sustitución) (3) Manual de instrucciones (1) CD-ROM (ImageDirector) (1) Licencias de software (1)

Diseño y especificaciones sujetos a cambios sin previo aviso.

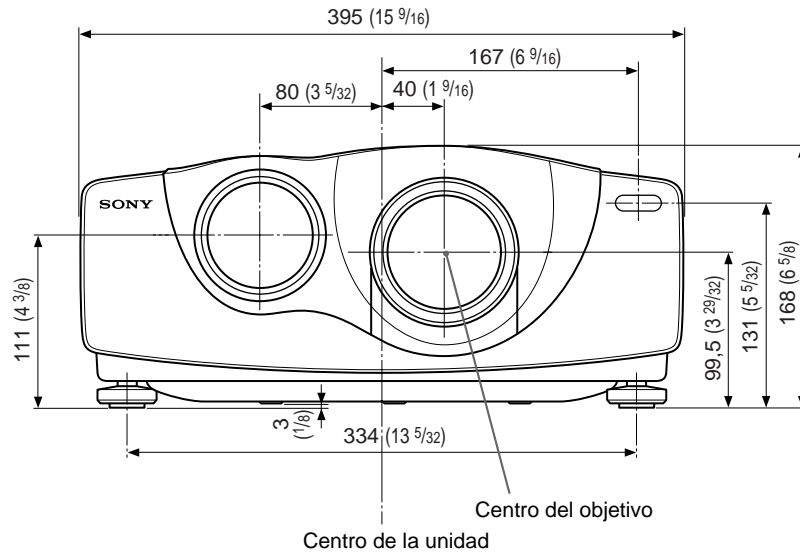
Accesorios opcionales

Lámpara de proyector LMP-P201 (para sustitución)
Soporte de suspensión para proyector PSS-610
Filtro de aire PK-VW11FL
Objetivo de proyección
Objetivo de enfoque de larga distancia de zoom de 1,5 aumentos VPLL-ZM101
Objetivo de enfoque de corta distancia de zoom de 1,1 aumentos VPLL-ZM31

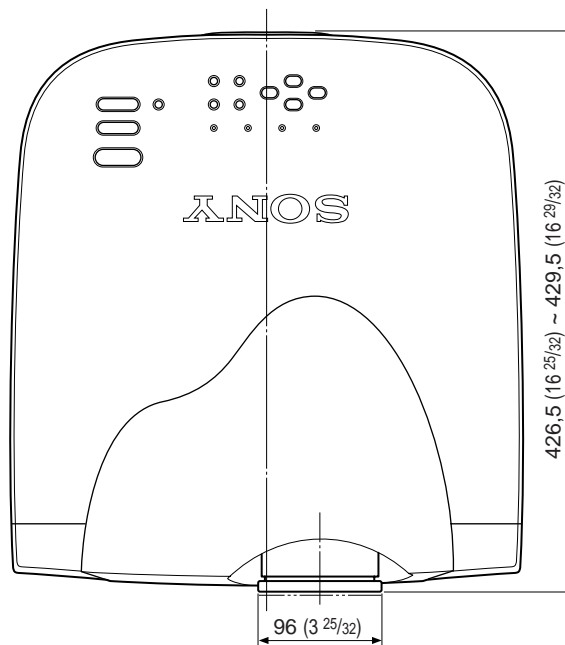
Algunos artículos pueden no estar disponibles en ciertas zonas. Para más información, consulte con el centro Sony más próximo.

Dimensiones

Frontal

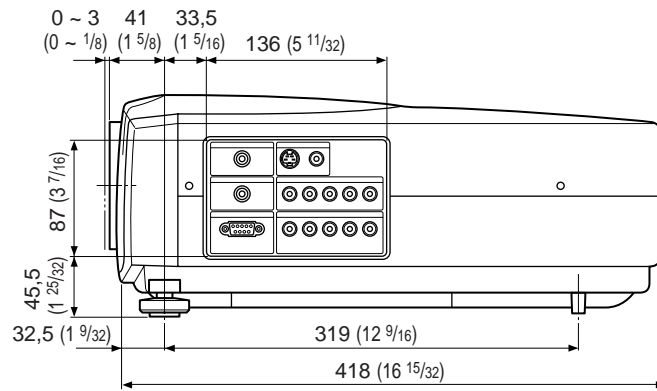


Parte superior

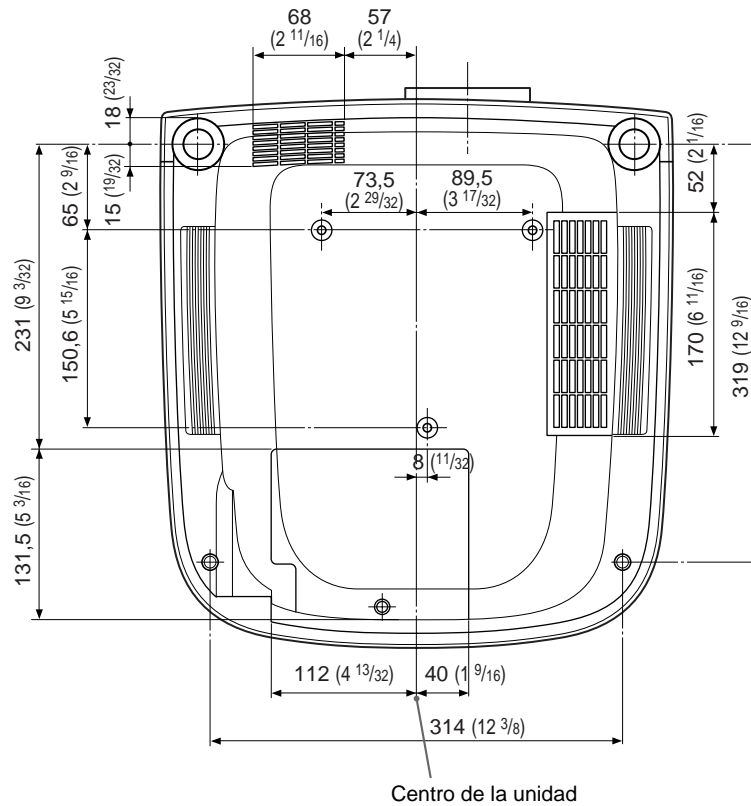


Unidad: mm (pulgadas)

Lateral



Base



Unidad: mm (pulgadas)

Índice alfabético

A

Accesorios opcionales 45 (ES)
 Accesorios suministrados 45 (ES)
 AHORRO ENERGIA 11 (ES), 28 (ES)
 Ajustador 9 (ES)
 Ajuste
 imagen 22 (ES), 23 (ES)
 memoria de los ajustes 21 (ES)
 tamaño/desplazamiento de la imagen 23 (ES), 24 (ES)
 Ajuste del tamaño de la imagen 18 (ES)
 Alimentación
 activación 17 (ES)
 desactivación 20 (ES)
 AREA TITULO 25 (ES)
 ASPECTO 24 (ES)

B

BRILLO 22 (ES)

C

CINE NEGRO 29 (ES)
 COLOR 22 (ES)
 Condensación 37 (ES)
 Conector RS-232C 11 (ES)
 Conexiones
 equipo componente 14 (ES)
 ordenador 15 (ES)
 videgrabadora 14 (ES)
 CONT LAMPARA 29 (ES)
 CONTRASTE 22 (ES)
 CONV EXPLO (convertidor de exploración) 25 (ES)

D, E, F, G, H

Desactivación de la imagen 18 (ES)
 DESPLAZ 24 (ES)
 DESPLAZAM V 25 (ES)
 Detector de control remoto
 frontal 8 (ES)
 posterior 8 (ES)

Dimensiones 46 (ES)
 DI TRA DIG MEM 29 (ES)
 DIST TRAP DIG 29 (ES)
 DRC-MF 23 (ES)
 Ejemplos de instalación
 en el suelo 30 (ES)
 en el techo 33 (ES)
 ENTRAD A 28 (ES)
 ENTRAD B 28 (ES)
 Especificaciones 44 (ES)
 ESTADO (indicación en pantalla) 28 (ES)
 FASE PUNTO 23 (ES)
 Filtro de aire 40 (ES)
 Filtro de cine 9 (ES)

I, J, K, L

IDIOMA 28 (ES)
 IMAG DI (Dinámica) 22 (ES)
 INSTALACION 29 (ES)

M, N

Mando a distancia
 instalación de las pilas 13 (ES)
 ubicación y función de los controles 12 (ES)
 MEMORIA VIDEO 25 (ES)
 Mensajes
 avisos 43 (ES)
 precauciones 43 (ES)
 Menú
 AJUS ENTRAD 23 (ES)
 AJUSTE 28 (ES)
 AJUSTE INST 29 (ES)
 CTRL IMAGEN 22 (ES)
 desactivación del menú 17 (ES)
 uso del menú 21 (ES)
 Menú AJUS ENTRAD 23 (ES)
 Menú AJUSTE 28 (ES)
 Menú AJUSTE INST 29 (ES)
 Menú CTRL IMAGEN 22 (ES)
 MOV CINE 28 (ES)
 NITIDEZ 22 (ES)
 Notas para la instalación
 Condiciones de uso inadecuadas 37 (ES)
 Instalación inadecuada 37 (ES)

O

Orificios de ventilación
 aspiración 8 (ES)
 exhaustación 8 (ES)

P, Q

Pilas
 instalación 13 (ES)
 notas 13 (ES)
 POTENCIA RVA 22 (ES)
 Precauciones 5 (ES)
 Proyección 17 (ES)

R

RECEPTOR SIRCS 8 (ES), 28 (ES)
 Restauración
 elementos que pueden restaurarse 21 (ES)
 reposición del filtro de aire 40 (ES)
 restauración del elemento 21 (ES)

S

SIST (Sistema) COLOR 22 (ES)
 Solución de problemas 41 (ES)
 Soporte de suspensión para proyector
 PSS-610 33 (ES)
 Sustitución de la lámpara 39 (ES)

T, U, V, W, X, Y, Z

Tamaño de pantalla
 14 (ES), 30 (ES) – 35 (ES), 44 (ES)
 TAMANO H 23 (ES)
 TEMP COLOR 22 (ES)
 TONALIDAD 22 (ES)
 Ubicación y función de los controles
 lateral frontal/izquierdo 8 (ES)
 lateral posterior/derecho/base 8 (ES)
 Mando a distancia 12 (ES)
 panel de conectores 11 (ES)
 panel de control 10 (ES)

<http://www.sony.net/>

Printed on recycled paper

Sony Corporation Printed in Japan
