

LCD Data Projector

Operating Instructions _____ **EN**

Mode d'emploi _____ **F**

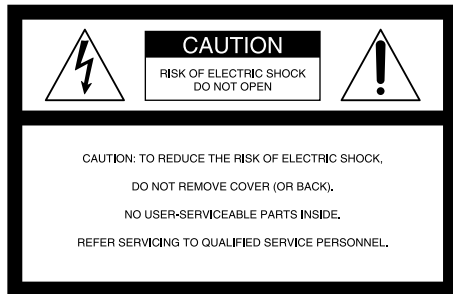
Manual de instrucciones _____ **ES**

VPL-S900U
VPL-S900E
VPL-S900M

WARNING

To prevent fire or shock hazard, do not expose the unit to rain or moisture.

To avoid electrical shock, do not open the cabinet. Refer servicing to qualified personnel only.



This symbol is intended to alert the user to the presence of uninsulated “dangerous voltage” within the product’s enclosure that may be of sufficient magnitude to constitute a risk of electric shock to persons.



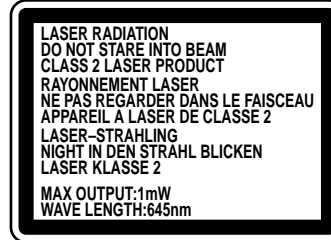
This symbol is intended to alert the user to the presence of important operating and maintenance (servicing) instructions in the literature accompanying the appliance.

For the customers in the USA

This equipment has been tested and found to comply with the limits for a Class A digital device, pursuant to Part 15 of the FCC Rules. These limits are designed to provide reasonable protection against harmful interference when the equipment is operated in a commercial environment. This equipment generates, uses, and can radiate radio frequency energy and, if not installed and used in accordance with the instruction manual, may cause harmful interference to radio communications. Operation of this equipment in a residential area is likely to cause harmful interference in which case the user will be required to correct the interference at his own expense.

You are cautioned that any changes or modifications not expressly approved in this manual could void your authority to operate this equipment.

For the customers of VPL-S900E/S900M



This label is located on the rear of the Remote Commander.



This label is located on the side of the Remote Commander.

For the customers of VPL-S900U



This label is located on the rear of the Remote Commander.



This label is located on the rear of the Remote Commander.

Laser light shines out of this window.



Caution

use of controls or adjustments or performance of procedures other than those specified herein may result in hazardous radiation exposure.

Notes

- Do not aim the laser at people or not look into the laser transmitter.
- When the Remote Commander causes malfunction, consult with qualified Sony personnel. We change the Remote Commander as new one according to the guarantee.

For the customers in Canada

This Class A digital apparatus complies with Canadian ICES-003.

For the customers in the United Kingdom

WARNING

THIS APPARATUS MUST BE EARTHED

IMPORTANT

The wires in this mains lead are coloured in accordance with the following code:

Green-and-Yellow: Earth
Blue: Neutral
Brown: Live

As the colours of the wires in the mains lead of this apparatus may not correspond with the coloured markings identifying the terminals in your plug proceed as follows:

The wire which is coloured green-and-yellow must be connected to the terminal in the plug which is marked by the letter E or by the safety earth symbol \perp or coloured green or green-and-yellow.

The wire which is coloured blue must be connected to the terminal which is marked with the letter N or coloured black.

The wire which is coloured brown must be connected to the terminal which is marked with the letter L or coloured red.

Voor de klanten in Nederland



Bij dit product zijn batterijen geleverd. Wanneer deze leeg zijn, moet u ze niet weggooien maar inleveren als KCA.

The socket-outlet should be installed near the equipment and be easily accessible.

Table of Contents

Overview

Precautions	6 (EN)
Features	8 (EN)
Location and Function of Controls	9 (EN)
Front	9 (EN)
Rear	13 (EN)
Remote Commander	15 (EN)

Setting up and projecting

Installing the Projector	17 (EN)
Connecting	18 (EN)
Connecting with a Computer	18 (EN)
Connecting with a VCR, 15k RGB/Component Equipment	20 (EN)
Using the RGB IN/OUT connector on INPUT B as a monitor output connector	21 (EN)
Projecting	22 (EN)

Adjustments and settings using the menu

Using the MENU	25 (EN)
The PICTURE CTRL Menu	26 (EN)
The INPUT SETTING Menu	28 (EN)
The SET SETTING Menu	31 (EN)

Installation

Installation Examples	33 (EN)
Floor Installation	33 (EN)
Ceiling Installation	34 (EN)
Unsuitable Installation	35 (EN)
Notes on Installation	36 (EN)

Maintenance

Maintenance	37 (EN)
Note on the Time to Replace the Lamp	37 (EN)
Cleaning the Air Filter	37 (EN)
Troubleshooting	38 (EN)

Other

Specifications	40 (EN)
Index	46 (EN)

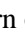
On safety

- Check that the operating voltage of your unit is identical with the voltage of your local power supply. If voltage adaptation is required, consult with qualified Sony personnel.
- Should any liquid or solid object fall into the cabinet, unplug the unit and have it checked by qualified personnel before operating it further.
- Unplug the unit from the wall outlet if it is not to be used for several days.
- To disconnect the cord, pull it out by the plug. Never pull the cord itself.
- The wall outlet should be near the unit and easily accessible.
- The unit is not disconnected to the AC power source (mains) as long as it is connected to the wall outlet, even if the unit itself has been turned off.
- Do not look into the lens while the lamp is on.
- Do not aim the laser at people or not look into the laser transmitter.
- Do not place your hand or objects near the ventilation holes — the air coming out is hot.
- When the projector is mounted on the ceiling, the Sony PSS-600 Projector Suspension Support must be used for installation.
- Be careful not to catch your fingers by the adjusters when you lift up the projector. Do not push hard on the top of the projector with the adjusters out.

On illumination

- To obtain the best picture, the front of the screen should not be exposed to direct lighting or sunlight.
- Ceiling-mounted spot lighting is recommended. Use a cover over fluorescent lamps to avoid lowering the contrast ratio.
- Cover any windows that face the screen with opaque draperies.
- It is desirable to install the projector in a room where floor and walls are not of light-reflecting material. If the floor and walls are of reflecting material, it is recommended that the carpet and wall paper be changed to a dark color.

On preventing internal heat build-up

After you turn off the power with the I /  key on the Remote Commander or on the control panel, do not disconnect the unit from the wall outlet while the cooling fan is still running.

Caution

The projector is equipped with ventilation holes (intake) at the bottom and ventilation holes (exhaust) on the front. Do not block or place anything near these holes, or internal heat build-up may occur, causing picture degradation or damage to the projector.

On cleaning

- To keep the cabinet looking new, periodically clean it with a soft cloth. Stubborn stains may be removed with a cloth lightly dampened with a mild detergent solution. Never use strong solvents, such as thinner, benzene, or abrasive cleansers, since these will damage the cabinet.
- Avoid touching the lens. To remove dust on the lens, use a soft dry cloth. Do not use a damp cloth, detergent solution, or thinner.
- Clean the filter at regular intervals.

On repacking

- Save the original shipping carton and packing material; they will come in handy if you ever have to ship your unit. For maximum protection, repack your unit as it was originally packed at the factory.

High brightness, high picture quality

- **High brightness**

The LCD panel with higher aperture ratio and the 120 W UHP lamp allow high brightness (light output 1100 ANSI lumen) and excellent uniformity on the picture.

- **High resolution**

By adopting three 1.3-inch, about 480,000-pixel SVGA panels, this projector offers resolution of 800 × 600 dots for RGB input and 600 horizontal TV lines for video input.

Simple setup

- **Sony original APA (Auto Pixel Alignment) function**

You can get the clearest picture automatically by simply pressing the APA key when the signal is input from a computer.

- **Simple setup with external equipment**

This projector has 38 kinds of preset data for input signals. You can get a suitable picture by connecting an equipment with supplied cable and pressing the APA key.

Easy presentation

- **Remote Commander with mouse control and laser pointer functions**

You can operate a computer with the Remote Commander since the unit has a build-in mouse receiver. For your presentation, you can use the laser pointer built in the Remote Commander as well.

- **High portability**

This projector has come to miniaturized to 5.9 kg (13 lb) of mass and 12 cm (4 3/4 inches) of height. With such a feature, a carrying handle and a front cover to keep the Remote Commander contribute to a convenient carrying.

Accepts various input signals

- **Scan converter loaded**

This projector has a build-in scan converter which converts the input signal within 800 × 600 dots.

- **Compatible input signals**

This projector accepts video signals of the composite, S video, and component as well as the 15 k RGB, VGA¹⁾, SVGA¹⁾, XGA¹⁾, and SXGA¹⁾ signals, which all can be displayed.

- **Compatible with five color systems**

NTSC, PAL, SECAM, NTSC 4.43²⁾, or PAL-M color system can be selected automatically or manually.

Note on the VPL-S900E model

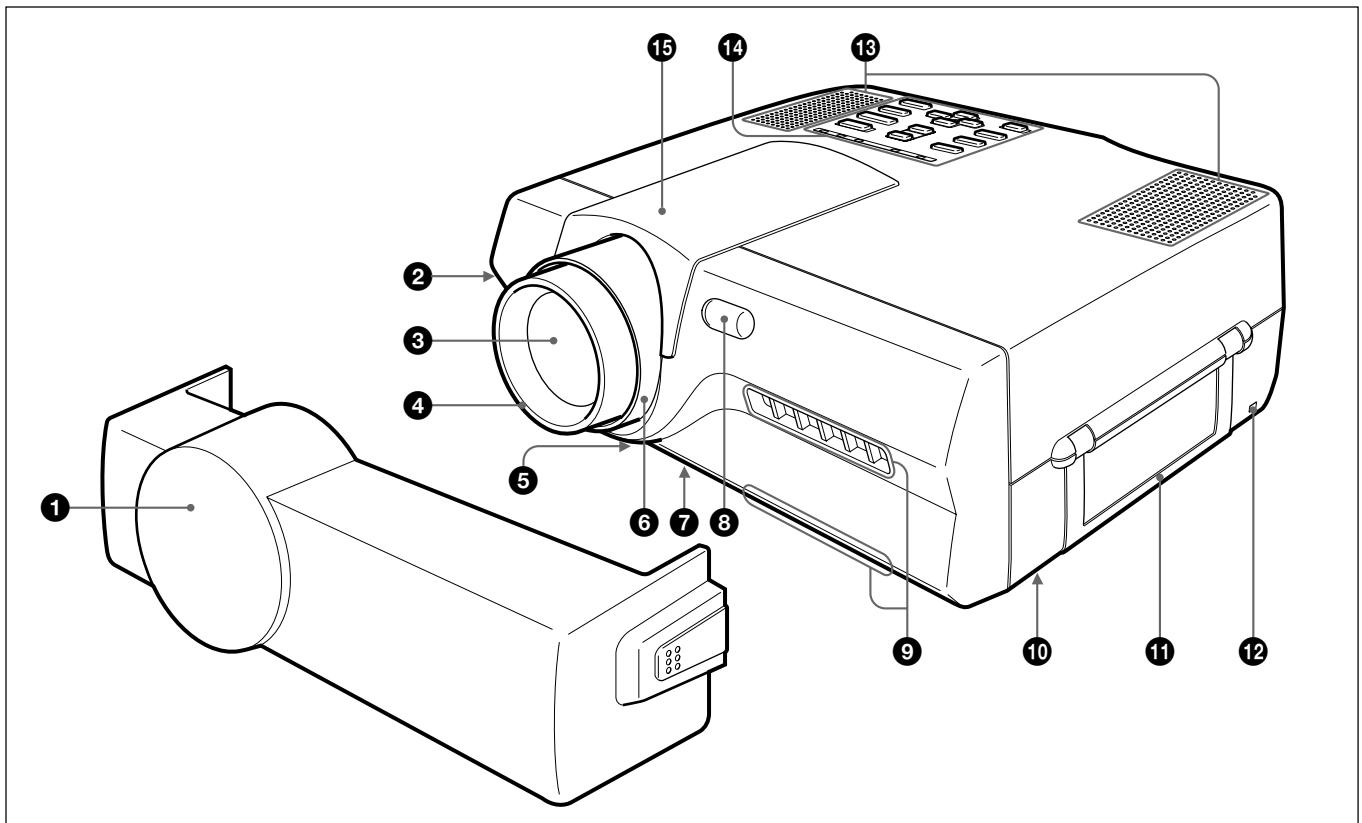
The optional IFB-X600E Interface Board is required for video composite input.

1) VGA, SVGA, XGA, and SXGA are registered trademarks of the International Business Machines Corporation, U.S.A.

8 (EN) 2) NTSC4.43 is the color system used when playing back a video recorded on NTSC on a NTSC4.43 system VCR.

Location and Function of Controls

Front



1 Front cover

Installs the Remote Commander in the back of the front cover.

2 Front adjuster button

3 Lens

Remove the front cover and the lens cap before projection.

4 Focus ring

Adjusts the picture focus.

5 Ventilation holes (bottom / intake)

6 Zoom ring

Adjusts the size of the picture.

7 Front adjuster

Used to keep the projector level if it is installed on an uneven surface.

For details on how to use the adjusters, see “How to use the adjusters” on page 11 (EN).

8 Front remote control detector

9 Ventilation holes (exhaust)

Notes

- Do not place anything near the ventilation holes as it may cause internal heat build-up.
- Do not place your hand or objects near the ventilation holes — the air coming out is hot.

10 Lamp cover (bottom)

11 Carrying handle

Used for carrying the projector.

12 Security lock

Connects to an optional security cable (Kensington's).

The security lock corresponds to Kensington's MicroSaver Security System.

If you have any comment, contact

Kensington

2853 Campus Drive, San Mateo, CA 94403

U.S.A.

Tel: 800-535-4242: extension 3348

Home page address: <http://www.kensington.com/>

Location and Function of Controls

13 Speakers

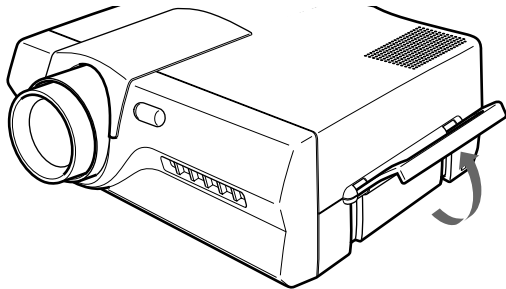
14 Control panel

For details, see “Control panel” on page 11 (EN).

15 Lens hood

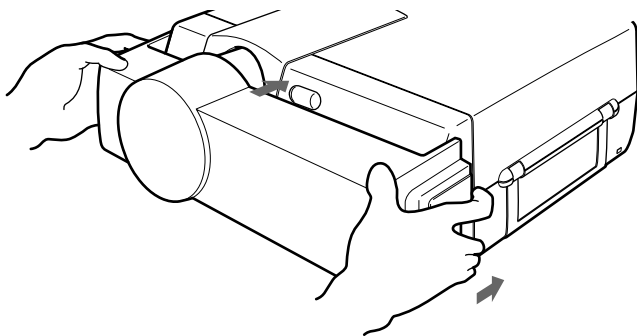
How to use the carrying handle

Pull up the handle from the projector for carrying.



How to attach the front cover

Attach the front cover on the front cabinet by stretching out both right and left sides on the front cover.

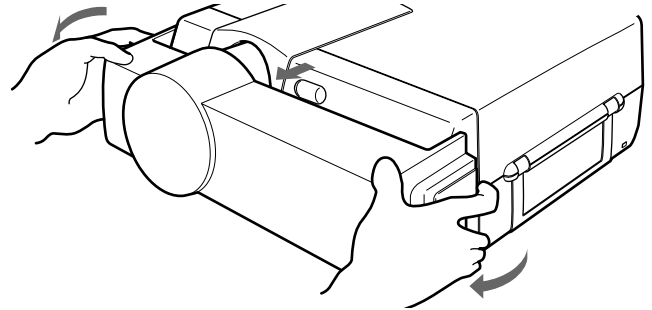


Notes

- Do not plug or turn on the projector when the front cover is attached.
- Do not hold the front cover when you carry the projector.

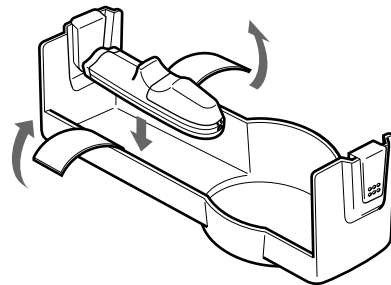
How to remove the front cover

Remove the front cover from the front cabinet by stretching out both right and left sides on the front cover.



How to install the Remote Commander in the front cover

Install the Remote Commander in the back of the front cover and fix it with the velcro tapes. When housing the Remote Commander, make sure that the infrared transmitter faces outside and rear faces upwards.



Note

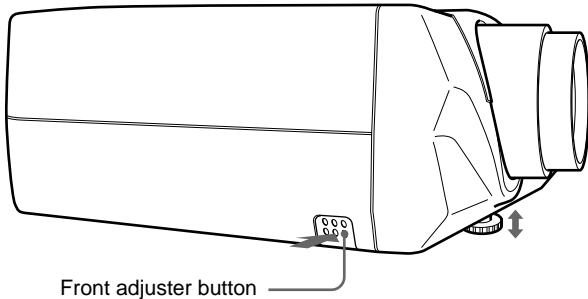
Set the COMMAND ON/OFF switch on the Remote Commander to OFF before installing the Remote Commander.

How to use the adjusters

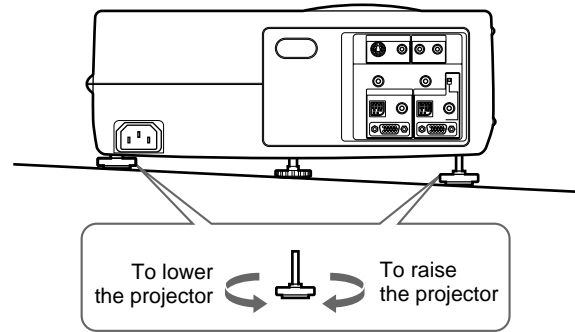
While lifting the projector, adjust the height so that the projector becomes level.

There are one adjuster at the front and two at the rear of the projector.

As for the front adjuster, press the front adjuster button while lifting the projector to adjust the height. Turn the front adjuster for fine adjustment.



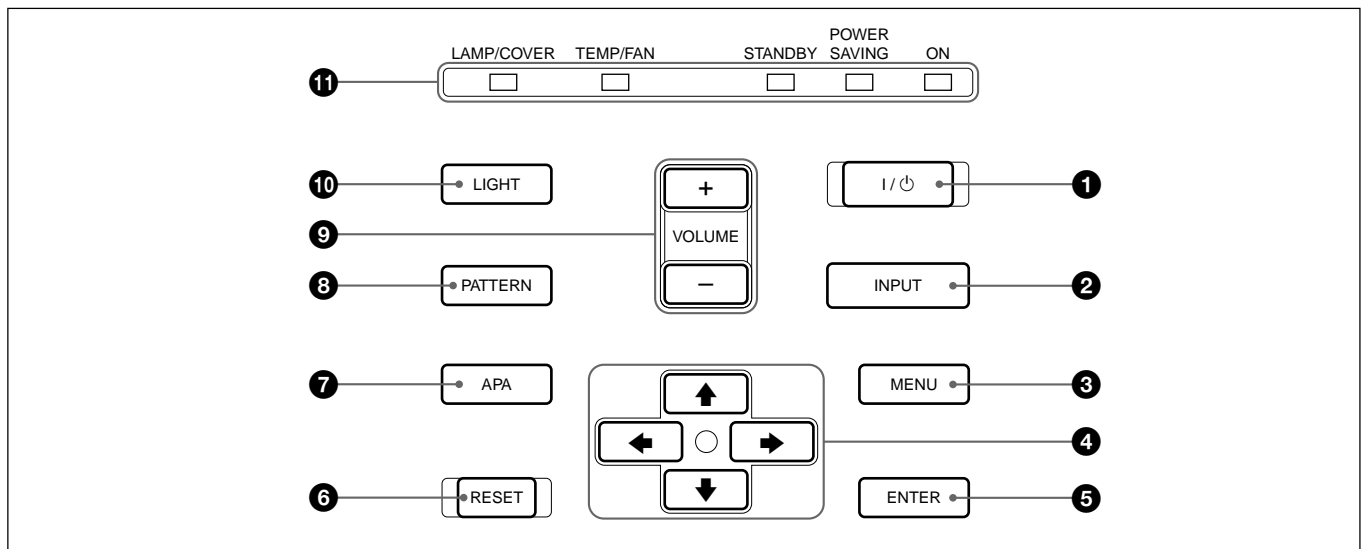
As for the rear adjusters, turn them for adjustment.



Notes

- Be careful not to let the projector down on your fingers.
- Do not push hard on the top of the projector with the adjusters out.
- Do not force the rear adjusters when you turn them. Using too much force may result in damage.

Control panel



1 I / ⏻ (on / standby) key

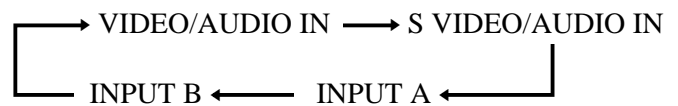
Turns on and off the projector when the projector is in the standby mode. The ON indicator lights in green when the power is turned on.

When turning off the power, press the I / ⏻ key twice following the message on the screen, or press and hold the key for about one second.

For details on steps for turning off the power, see "To turn off the power" on page 24 (EN).

2 INPUT key

Selects the input signal. Each time you press the key, the input signal switches as follows (When the RGB IN/OUT select switch is set to OUT, you cannot select INPUT B.):



Note on the VPL-S900E model

The optional IFB-X600E Interface Board is required for VIDEO IN and AUDIO IN jacks.

3 MENU key

Displays the on-screen menu. Press again to clear the menu.

4 Arrow keys (↑/↓/←/→)

Used to select the menu or to make various adjustments.

(Continued)

Location and Function of Controls

5 ENTER key

Enters the settings of items in the menu system.

6 RESET key

Resets the value of an item back to its factory preset value. This key functions when the menu or a setting item is displayed on the screen.

7 APA (Auto Pixel Alignment) key

Adjusts a picture to be projected clearest automatically while a signal from the computer is input.

8 PATTERN key

Displays an H pattern on the screen for focus, zoom adjustments. Press again to clear the pattern.

9 VOLUME +/- keys

Adjust the volume of the built-in speakers and output level of the AUDIO OUT jacks.

- + : Increases the volume.
- : Decreases the volume.

10 LIGHT key

Lights the back lighting (orange) for the keys on the control panel when the power is turned on. Press again to turn off the back lighting.

11 Indicators

ON: Lights in green when the power is turned on. Flashes in green while the cooling fan runs after turning off the power with the I / ⏻ key. The fan runs for about 90 seconds after turning off the power. The ON indicator flashes quickly for the first 30 seconds. During this time, you cannot turn the power back on with the I / ⏻ key.

POWER SAVING: Lights up when the projector is in the power saving mode. When POWER SAVING in the SET SETTING menu is set to ON, the projector goes into the power saving mode if no signal is input for 10 minutes. Although the lamp goes out, the cooling fan keeps running. In the power saving mode, any key does not function for the first 30 seconds. The power saving mode is canceled when a signal is input or any key is pressed.

STANDBY: Lights in red when the AC power cord is plugged into the wall outlet. Once in the standby mode, you can turn on the projector with the I / ⏻ key on the Remote Commander or on the control panel.

TEMP (Temperature)/FAN: Lights up or flashes under the following conditions:

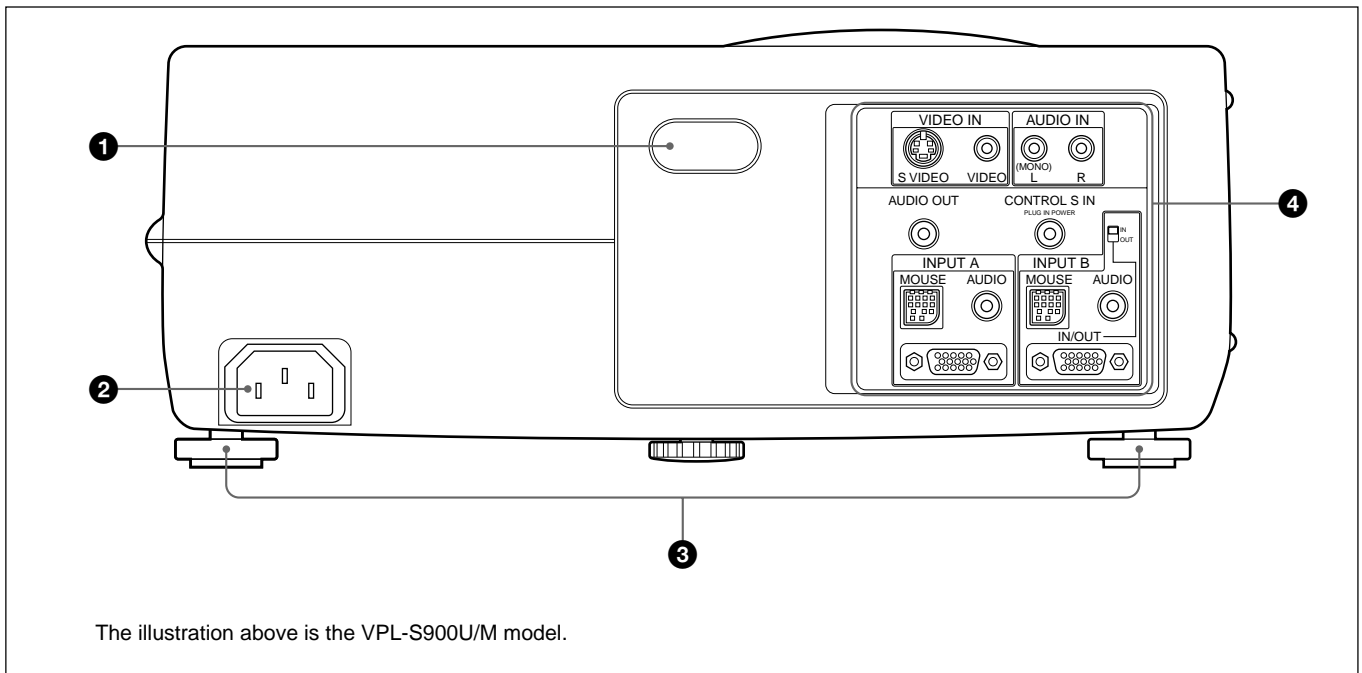
- Lights up when temperature inside the projector becomes unusually high.
- Flashes when the fan is broken.

LAMP/COVER: Lights up or flashes under the following conditions:

- Lights up when the lamp has reached the end of its life.
- Flashes when the lamp cover or air filter cover is not secured firmly.

For details on the LAMP/COVER and the TEMP/FAN indicators, see page 39 (EN).

Rear



❶ Rear remote control detector

❷ AC IN socket

Connects the supplied AC power cord.

❸ Rear adjusters

Used to keep the projector level if it is installed on an uneven surface.

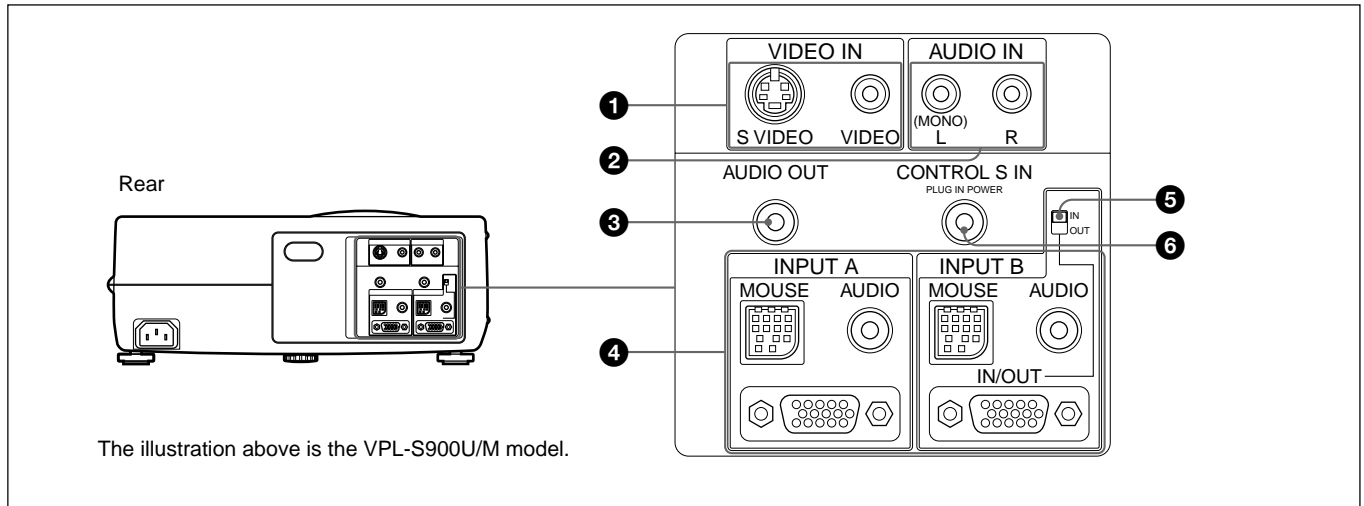
For details on using the adjusters, see “How to use the adjusters” on page 11 (EN).

❹ Connector panel

For details, see page 14 (EN).

Location and Function of Controls

Connector panel



1 VIDEO IN jacks

Connect to external video equipment such as a VCR.

S VIDEO (mini DIN 4-pin): Connects to the S video output (Y/C video output) of a video equipment.

VIDEO (phono type): Connects to the composite video output of video equipment.

2 AUDIO IN L (MONO)/R jacks (phono type)

Connect to the audio output of equipment. For stereo equipment, use both the L and R jacks; for monaural equipment, use the L (MONO) jack only.

3 AUDIO OUT jack (stereo minijack)

Connects to external active speakers.

The volume of the speakers can be controlled by the VOLUME keys on the Remote Commander or the control panel.

4 INPUT A/INPUT B connectors

Connect to external equipment such as a computer. You can control the mouse signal with the Remote Commander.

MOUSE (13-pin): Connects to the mouse port on a computer to control the mouse function using the supplied mouse cable.

AUDIO (stereo minijack): Connects to the audio output on a computer to input the audio signal.

RGB input (INPUT A) / RGB IN/OUT (INPUT B)

(HD D-sub 15-pin, female): Connects to the monitor output on a computer using the supplied cable. When inputting a component, or 15k RGB signal, use the optional cable.

As for the RGB IN/OUT connector on INPUT B, you can use it as an output connector with the RGB IN/OUT select switch. This connector outputs the signal which input through the RGB input connector on INPUT A.

5 RGB IN/OUT select switch

Switches the input/output of the RGB IN/OUT connector on INPUT B.

IN: Functions as an input connector.

OUT: Functions as an output connector. The RGB IN/OUT connector outputs the signal which input through the RGB input connector on INPUT A. The MOUSE connector and AUDIO jack on INPUT B do not function at this time.

6 CONTROL S IN/PLUG IN POWER jack (DC 5 V output, stereo minijack)

Connects to the CONTROL S OUT jack on the supplied Remote Commander with the stereo connecting cable (not supplied) when using it as a wired Remote Commander. You do not need to install the batteries since the power is supplied via this jack. Batteries are required when you use the laser pointer function.

Note on the VPL-S900E model

The optional IFB-X600E Interface Board is required for the VIDEO IN 1 and AUDIO IN 2 jacks.

Remote Commander

The Remote Commander can be used as a wireless or wired Remote Commander.

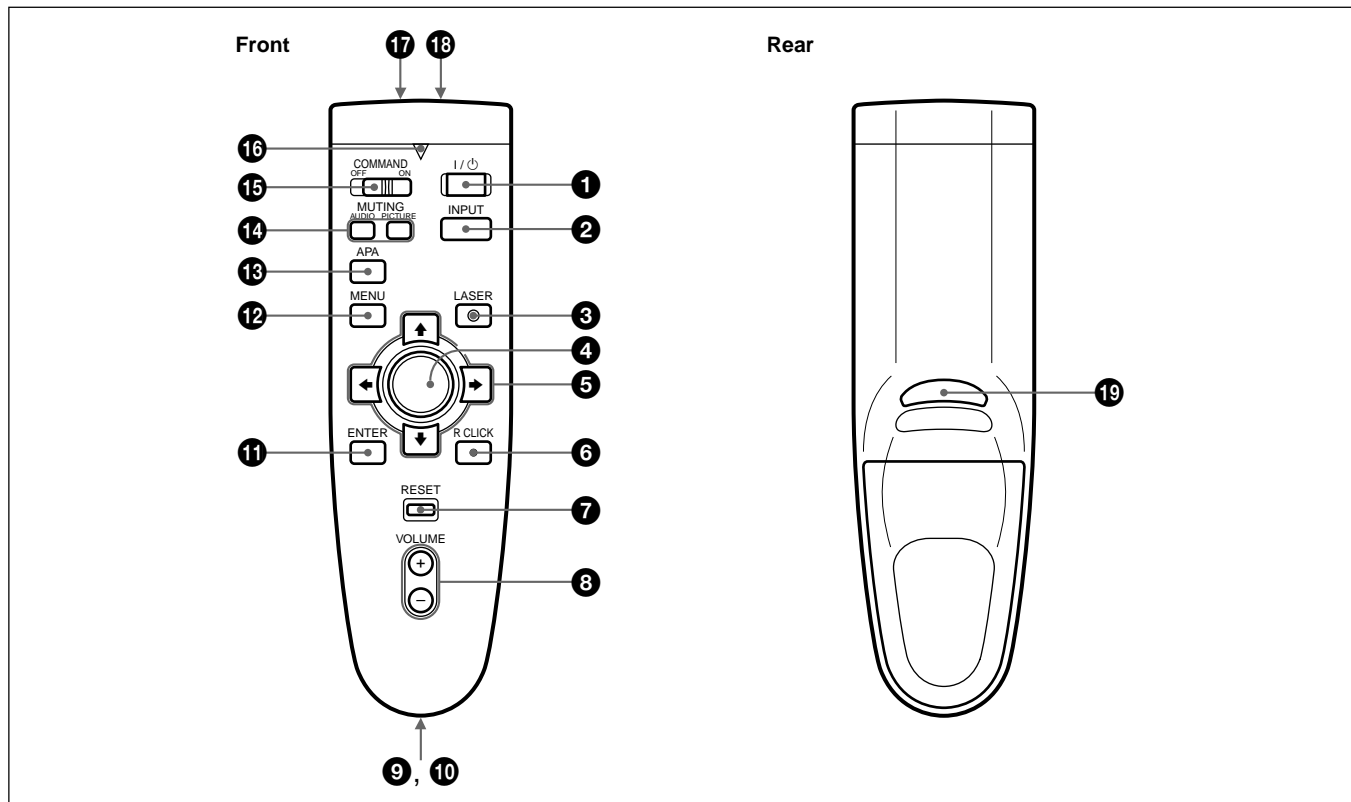
The keys which have the same names as on the control panel function identically.

You can control a connected computer using the Remote Commander.

For details, see "Connecting with a Computer" on page 18 (EN).

Notes on laser beam

- Do not look into the laser transmitter.
- Do not aim the laser at people.



❶ I / ⏻ key

❷ INPUT key

❸ LASER key

Emits laser beam from the laser transmitter when you press this key.

❹ Joy stick

Functions as a mouse of a computer connected to the unit.

❺ Arrow keys (↑/↓/←/→)

❻ R CLICK key

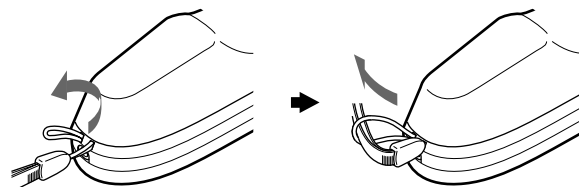
Functions as a right button on a mouse. When connected to a Macintosh¹⁾ computer, the R CLICK key functions as a mouse button.

❼ RESET key

❽ VOLUME +/- keys

❾ Strap holder

Attaches the supplied strap.



(Continued)

1) Macintosh is a registered trademark of Apple Computer, Inc.

Location and Function of Controls

10 CONTROL S OUT jack (stereo minijack)

Connects to the CONTROL S IN jack on the projector with the connecting cable (not supplied) when using the Remote Commander as a wired one. In this case, you do not need to install the batteries since the power is supplied via the CONTROL S IN jack on the projector.

11 ENTER key

12 MENU key

13 APA (Auto Pixel Alignment) key

14 MUTING keys

Cut off the picture and sound.

PICTURE: Cuts off the picture. Press again to restore the picture.

AUDIO: Cuts off the sound from speakers and AUDIO OUT jack. Press again or press the VOLUME + key to restore the sound.

15 COMMAND ON/OFF switch

When this switch is set to OFF, no key on the Remote Commander function. This saves the battery power.

16 Transmission indicator

Lights up when you press a key on the Remote Commander.

This indicator does not light up when you use the laser pointer.

17 Infrared transmitter

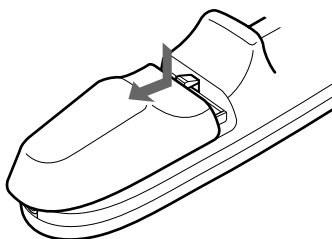
18 Laser transmitter

19 L CLICK key

Functions as a left button on a mouse. When connected to a Macintosh computer, the L CLICK key functions as a mouse button.

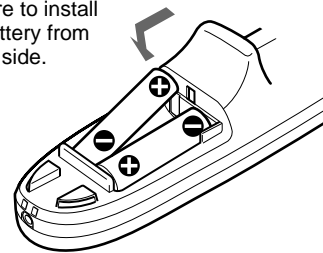
Battery installation

1 Push and slide to open the lid.



2 Install the two size AA (R6) batteries (supplied) with the correct polarity.

Be sure to install the battery from the ⊖ side.



3 Replace the lid.

Notes on batteries

- Make sure that the battery orientation is correct when inserting batteries.
- Do not mix an old battery with a new one, or different types of batteries.
- If you will not use the Remote Commander for a long time, remove the batteries to avoid damage from battery leakage. If batteries have leaked, remove them, wipe the battery compartment dry and replace the batteries with new ones.

Notes on wireless Remote Commander operation

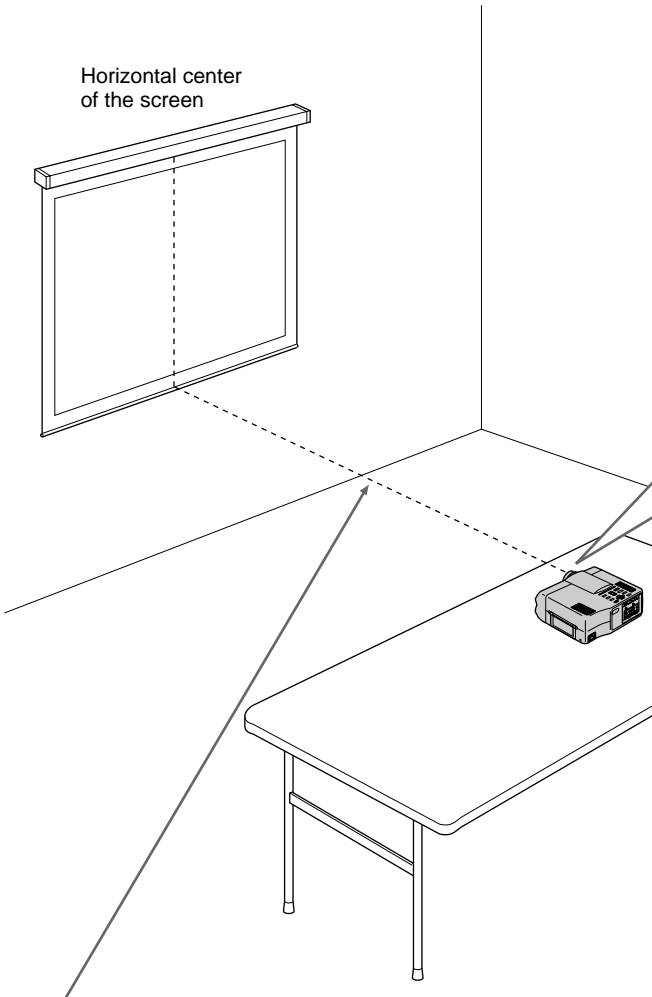
- Make sure that there is nothing to obstruct the infrared beam between the Remote Commander and the remote control detector on the projector.
- The operation range is limited. The shorter the distance between the Remote Commander and the projector is, the wider the angle within which the commander can control the projector.
- The remote control detectors on the projector do not function when the connecting cable (not supplied) is connected to the projector. When using the Remote Commander as a wireless Remote Commander, remove the connecting cable from both the Remote Commander and the projector.

Note on wired Remote Commander operation

The laser pointer function does not work when you use the Remote Commander as a wired one without batteries.

Installing the Projector

This section describes the installation arrangements for installing the projector on a table. For ceiling installation, consult with qualified Sony personnel (see page 34 (EN)).



Horizontal center of the screen

The distance between the lens and the screen varies depending on the size of the screen. Use the following table as a guide.

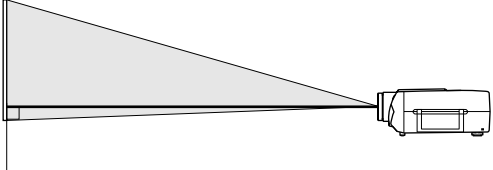
The following table shows the projection distance when the SVGA signal (horizontal 800 × vertical 600 dots) is input.

- When XGA/SXGA signal is input, the projection distance becomes shorter by 1.6%.
- When the Macintosh 16-inch mode or HDTV signal is input, the projection distance becomes shorter by 4%.

Adjust the vertical and horizontal positioning of the projector.

Vertical positioning (side view)

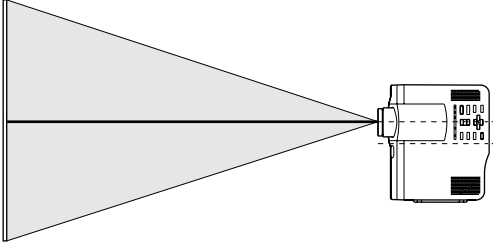
Screen



Adjust the height of the projector so that the center of the lens is just above the bottom edge of the screen.

Horizontal positioning (top view)

Screen



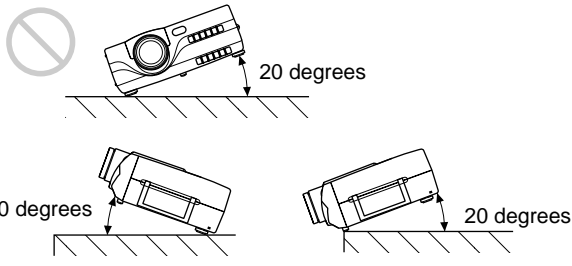
Center of the lens
57.5 mm (2 3/8 inches)
Center of the unit

Adjust the horizontal positioning of the projector so that the lens is aligned with the horizontal center of the screen.

Note

Install the projector to be level.
Avoid followings which may cause malfunction.

- The projector topples over on its side.
- The projector titles more than 20 degrees.



Screen size (inches)		40	60	80	100	120	150	180	200	250	300
Distance	Minimum	1.6 (5.2)	2.4 (7.9)	3.2 (10.6)	4.1 (13.4)	4.9 (16.1)	6.2 (20.2)	7.4 (24.3)	8.2 (27.0)	10.3 (33.9)	12.4 (40.7)
	Maximum	2.0 (6.6)	3.0 (10.0)	4.1 (13.4)	5.1 (16.8)	6.2 (20.3)	7.8 (25.4)	9.3 (30.5)	10.4 (34.0)	13.0 (42.6)	15.6 (51.1)

Unit: m (feet)

For detailed information on installation measurements, see page 33 (EN).

Note on the VPL-S900E model

The optional IFB-X600E Interface Board is required for the VIDEO IN and AUDIO IN jacks.

Connecting with a Computer

This section describes how to connect the projector with a computer. For details on how to connect VCR or other equipment, see page 20 (EN).

When the projector is connected to a computer, you can control the mouse of a computer by the Remote Commander.

The R/L CLICK keys and joy stick function as follows.

Note

Make sure that there is nothing to obstruct the infrared beam between the Remote Commander and the remoter control detector on the projector.

Key and joy stick	Function	
	IBM PC/AT ^{a)} compatible, Serial	Macintosh
R CLICK (front)	Right button	Mouse button
L CLICK (rear)	Left button	Mouse button
Joy stick	Corresponds with the movements of the mouse	

a) IBM PC/AT is a registered trademark of International Business Machines Corporation, U.S.A.

Also refer to the instruction manual of equipment to be connected.

Notes

- This unit accepts the VGA, SVGA, XGA, and SXGA signals. However, we recommend you to set the output mode of your computer to the SVGA mode for the external monitor. (For Macintosh computer, set the output mode to 16-inch mode.)
- If you set your computer, such as a notebook type IBM PC/AT compatible, to output the signal to both the display of your computer and the external monitor, the picture of the external monitor may not appear properly. In such cases, set the output mode of your computer to output the signal to only the external monitor.

For details, refer to the operating instructions supplied with your computer.

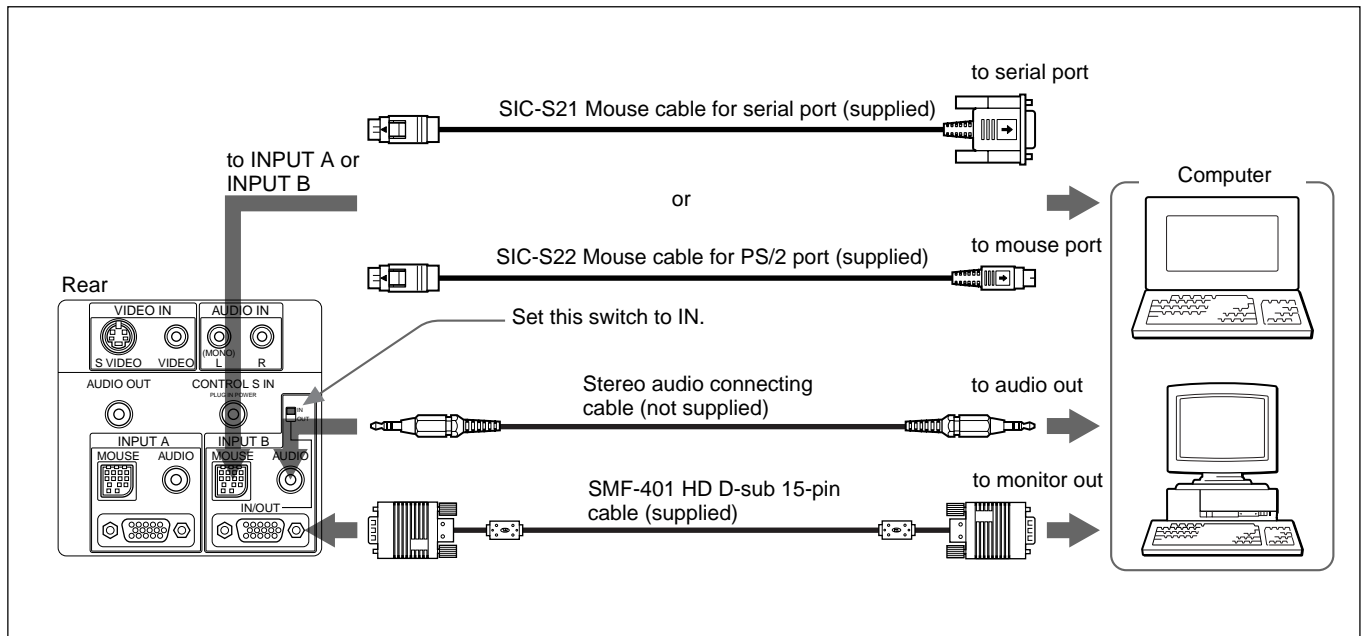
When making connections, be sure to:

- turn off all equipment before making any connections.
- use the proper cables for each connection.
- insert the plugs of the cables properly; plugs that are not fully inserted often generate noise. When pulling out a cable, be sure to pull it out from the plug, not the cable itself.

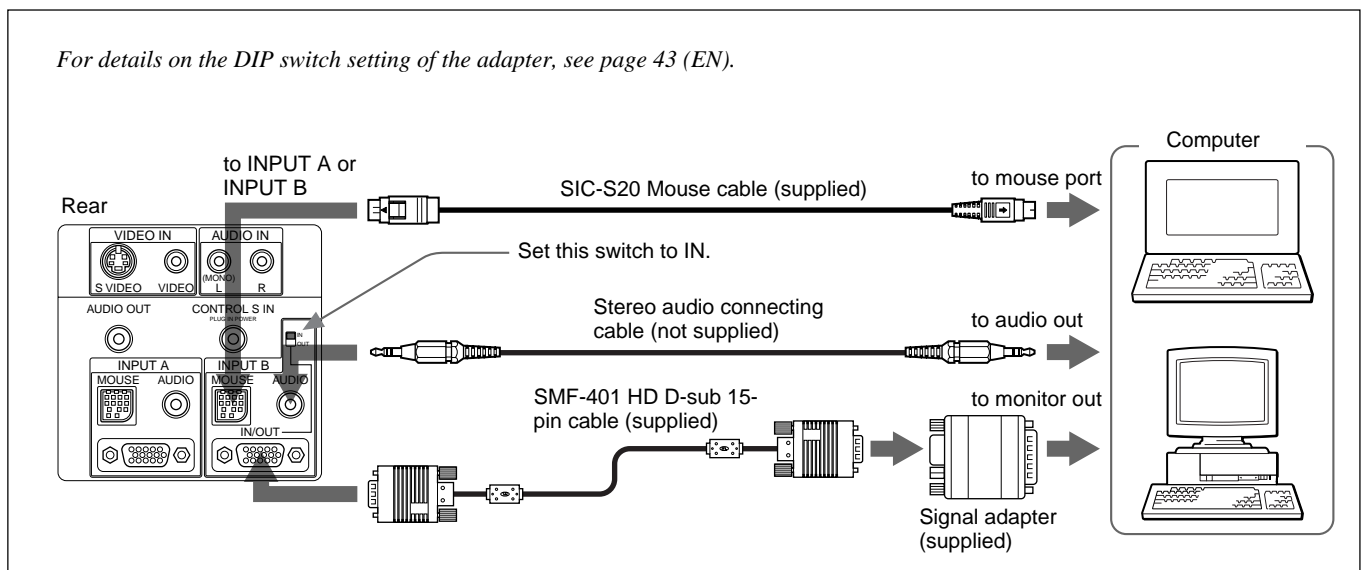
Notes

- Connect all the connecting cables to the INPUT A connector when you input a signal from the INPUT A connector. Connect all the cables to the INPUT B connector when you input a signal from the INPUT B connector as well.
- When connecting to INPUT B, make sure that the RGB IN/OUT select switch is set to IN.
- Supplied mouse cable may not work properly according to your computer.

When connecting with an IBM PC/AT compatible computer



When connecting with a Macintosh computer



Connecting

Connecting with a VCR, 15k RGB/Component Equipment

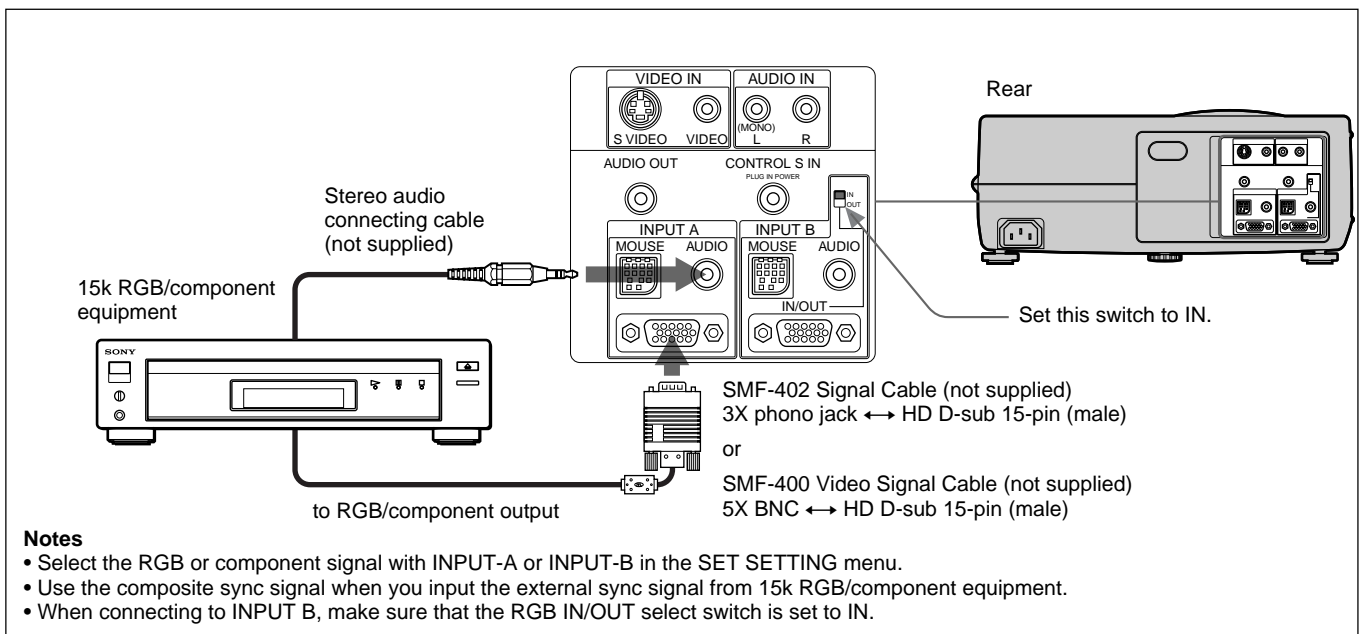
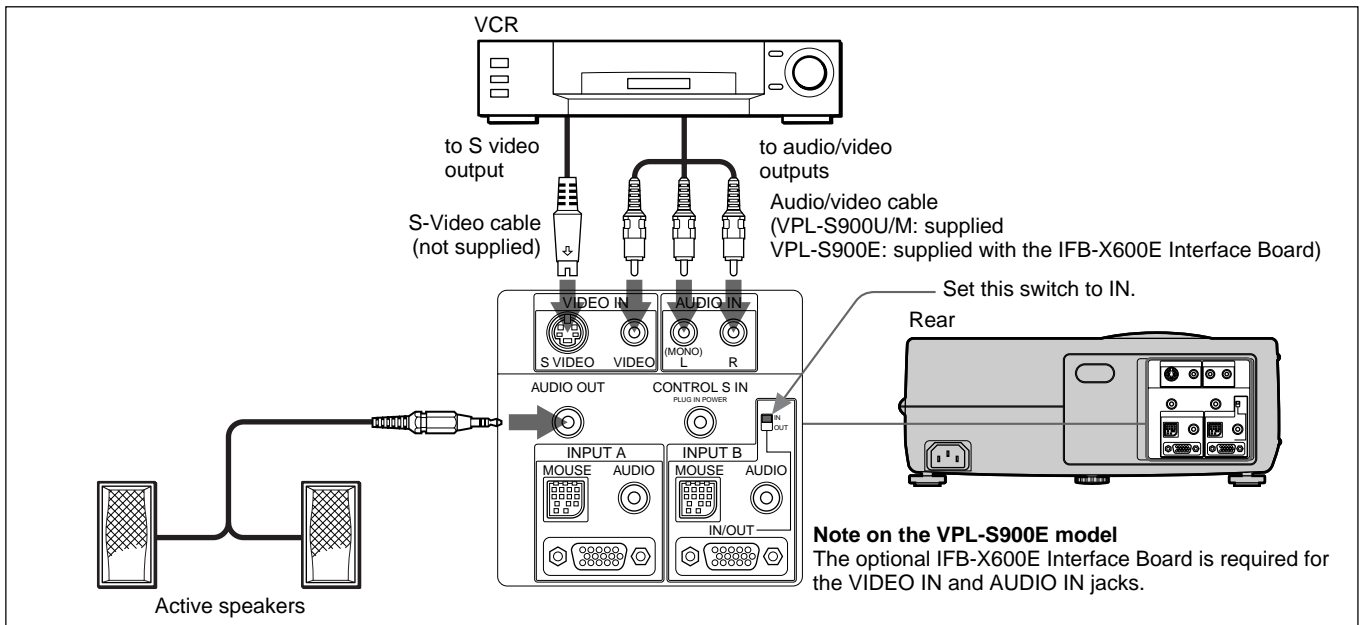
This section describes how to connect the projector with a VCR, external active speakers and 15k RGB/component equipment.

For details on how to connect a computer, see page 18 (EN).

Also refer to the instruction manuals of equipment to be connected.

When making connections, be sure to:

- turn off all equipment before making any connections.
- use the proper cables for each connection.
- insert the plugs of the cables properly; plugs that are not fully inserted often generate noise. When pulling out a cable, be sure to pull it out from the plug, not the cable itself.

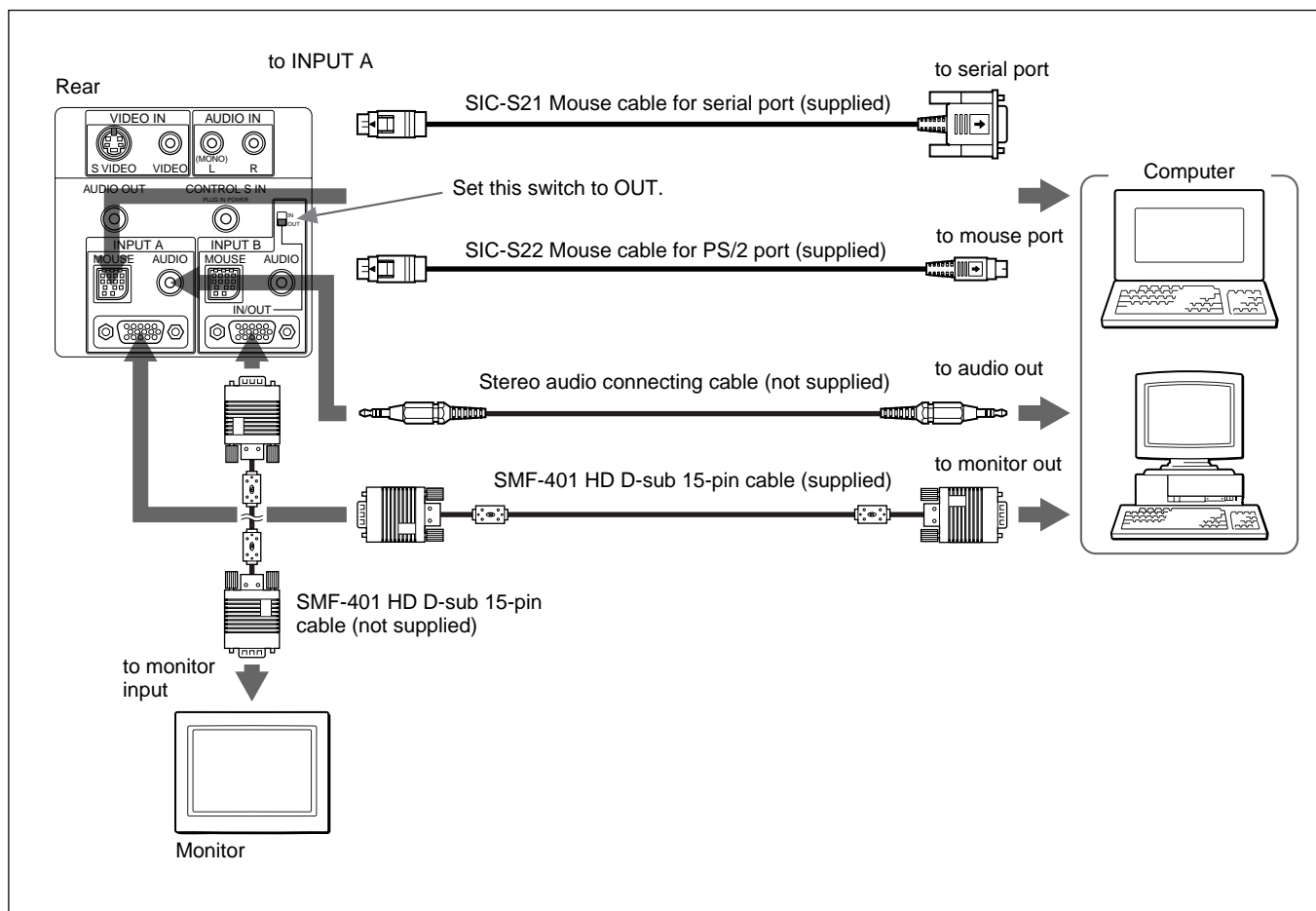


Using the RGB IN/OUT connector on INPUT B as a monitor output connector

This section describes connections when using the RGB IN/OUT connector on INPUT B as a monitor output connector.

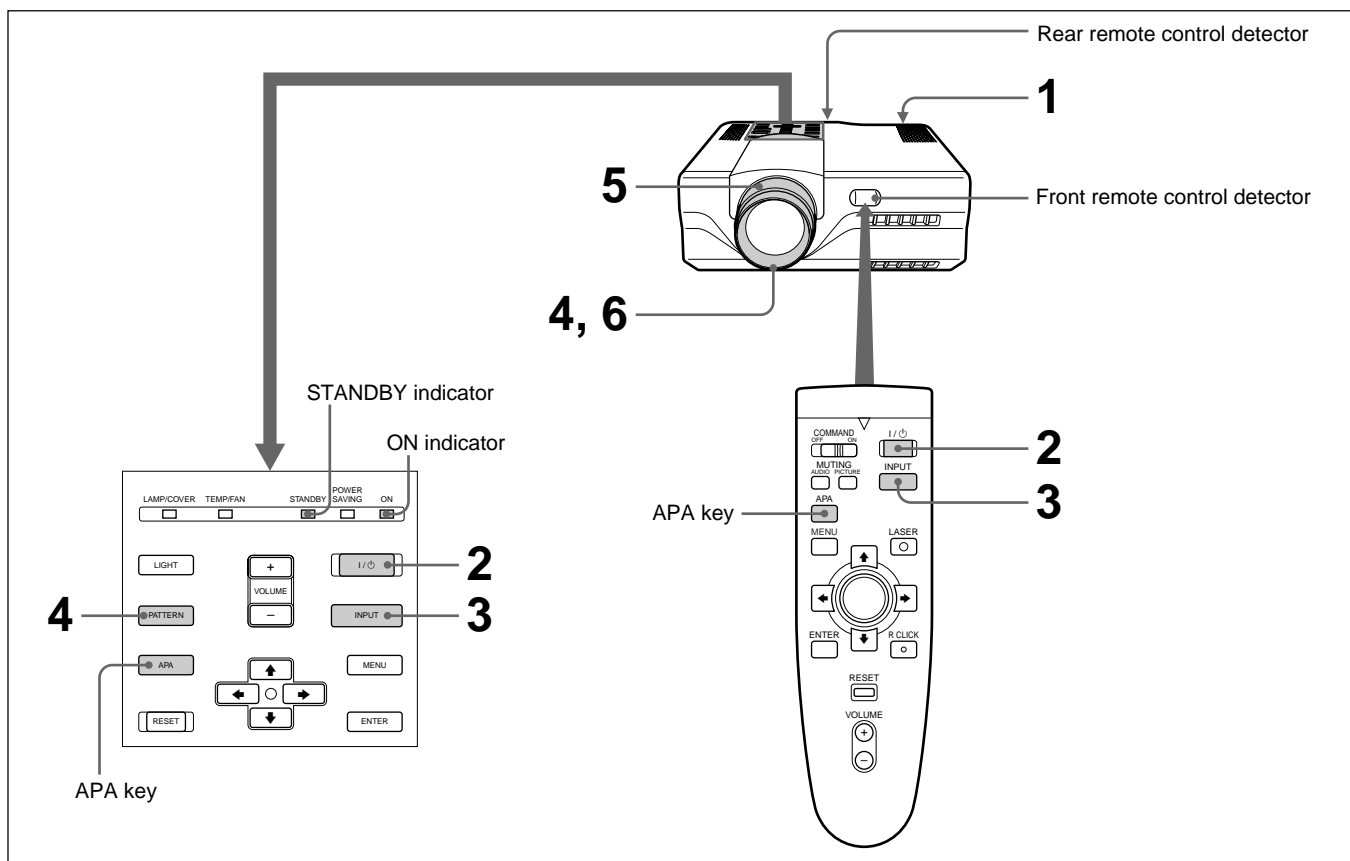
When making connections, be sure to:

- turn off all equipment before making any connections.
- use the proper cables for each connection.
- insert the plugs of the cables properly; plugs that are not fully inserted often generate noise. When pulling out a cable, be sure to pull it out from the plug, not the cable itself.
- Make sure that the RGB IN/OUT select switch is set to OUT.



Note

When the RGB IN/OUT select switch is set to OUT, the MOUSE connector and AUDIO jack on INPUT B do not function.



- 1 After all equipment is connected completely, plug the AC power cord into the wall outlet.

The STANDBY indicator lights in red and the projector goes into the standby mode.

- 2 Press the I / $\text{\textcircled{P}}$ key on the Remote Commander or on the control panel.

The ON indicator lights in green.

- 3 Turn on equipment connected to the projector. Press the INPUT key on the Remote Commander or on the control panel to select the input source.

INPUT A: Selects audio and video signals input from the INPUT A connector.

INPUT B: Selects audio and video signals input from the INPUT B connector.

VIDEO: Selects audio and video signals input from the AUDIO IN/VIDEO (VIDEO IN) jacks.

S VIDEO: Selects audio and video signals input from the AUDIO IN/S VIDEO (VIDEO IN) jacks.

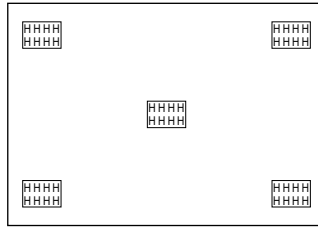
Note

The AUDIO IN jacks are used as audio outputs of both VIDEO and S VIDEO.

Note on the VPL-S900E model

The optional IFB-X600E Interface Board is required for selecting VIDEO.

- 4** Press the PATTERN key on the control panel to display the H pattern, and turn the focus ring to adjust the focus.



Press the PATTERN key again to clear the pattern.

- 5** Turn the zoom ring to adjust the size of the picture.
- 6** Turn the focus ring again to adjust the focus.

Note

Do not look into the lens when the projector lamp is on.

To	Press
Adjust the volume	the VOLUME +/- keys on the control panel or on the Remote Commander.
Cut off the sound	the AUDIO MUTING key on the Remote Commander. To restore the sound, press the AUDIO MUTING key again or press the VOLUME + key.
Cut off the picture	the PICTURE MUTING key on the Remote Commander. To restore the picture, press the PICTURE MUTING key again.

To get the clearest picture

You can get the suitable picture when a signal from the computer is input. Press the APA key on the Remote Commander or on the control panel. The picture is automatically adjusted to be projected clearest.

Notes

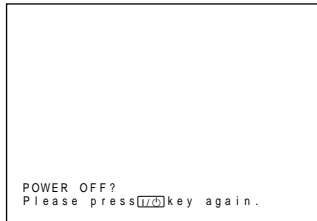
- Adjust the signal when the still picture is displayed on the screen.
- If you switch the input signal or re-connect a computer, press the APA key again to get the suitable picture.
- “ADJUSTING” appears on the screen. Press the APA key again during the adjustment to restore the original screen.
- “Complete!” appears on the screen when the picture is adjusted properly. The picture may not be adjusted properly depending on the kinds of input signals.
- Adjust DOT PHASE in the INPUT SETTING menu when you adjust the picture manually.

For details on DOT PHASE, see page 28 (EN).

To turn off the power

- 1 Press the I / ⏻ key on the Remote Commander or on the control panel.

The following message appears to confirm if you want to turn off the power.



Note

The message will disappear if you press any key except the I / ⏻ key, or if you do not press any key for five seconds.

- 2 Press the I / ⏻ key on the Remote Commander or on the control panel again.

The ON indicator flashes in green and the fan continues to run for about 90 seconds to reduce the internal heat. Also, the ON indicator flashes quickly for the first 30 seconds. During this time, you will not be able to turn the power back on with the I / ⏻ key.

- 3 Unplug the AC power cord from the wall outlet after the fan stops running and the STANDBY indicator lights in red.

When you cannot confirm the on-screen message

When you cannot confirm the on-screen message in a certain condition, you can turn off the power by holding the I / ⏻ key on the Remote Commander or on the control panel for about one second.

Note

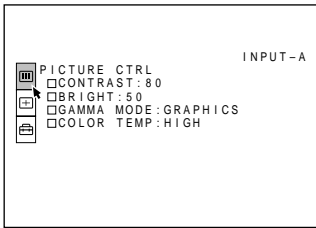
Do not unplug the AC power cord while the fan is still running; otherwise, the fan will stop although the internal heat is still high, leading to breakdown of the projector.

Using the MENU

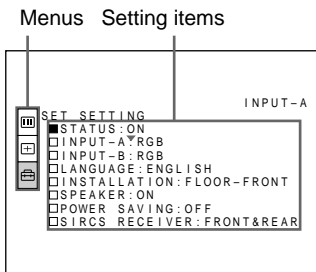
The projector is equipped with an on-screen menu for making various adjustments and settings.

To select the language used in the menu, see page 32 (EN).

- 1 Press the MENU key.
The menu display appears.
The menu presently selected is highlighted in blue.



- 2 Use the \uparrow or \downarrow key to select a menu, then press the \rightarrow or ENTER key.
The selected menu appears.



- 3 Make setting or adjustment on an item.
For details on setting individual items, see the relevant menu pages.

To clear the menu display

Press the MENU key.

The menu display disappears automatically if no key is pressed for one minute.

To reset items that have been adjusted

Press the RESET key.

“Complete!” appears on the screen and the settings appearing on the screen will be reset to their factory preset values.

Items which can be reset are:

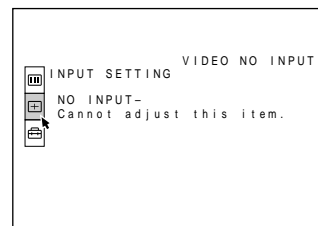
- “CONTRAST”, “BRIGHT”, “COLOR”, “HUE”, and “SHARP” in the PICTURE CTRL menu
- “DOT PHASE”, “SIZE”, and “SHIFT” in the INPUT SETTING menu.

About the memory of the settings

The settings are automatically stored in the projector memory.

When no signal is input

When there is no input signal, “NO INPUT- Cannot adjust this item.” appears on the screen, and each item cannot be adjusted.



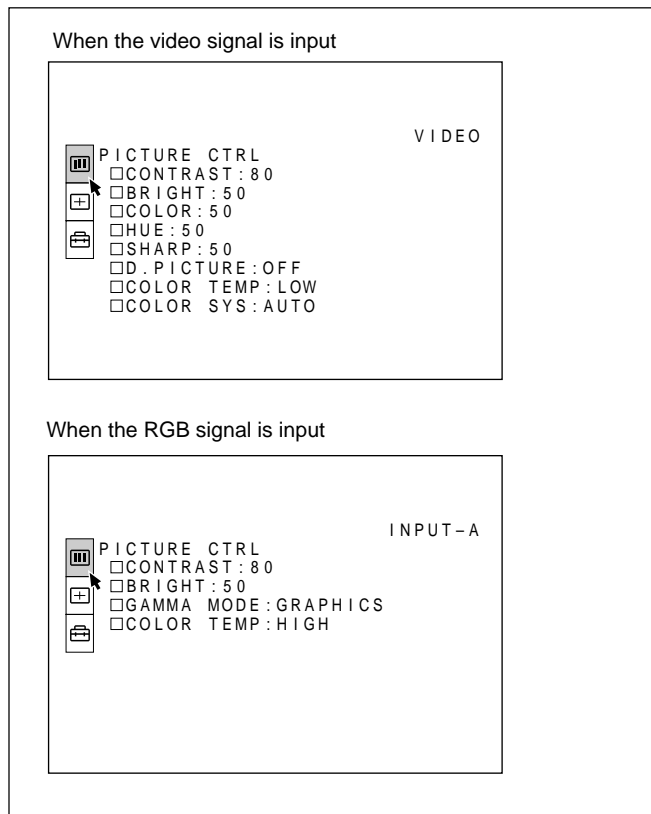
The PICTURE CTRL Menu

The PICTURE CTRL (control) menu is used for adjusting the picture.

Unadjustable items depending on the input signal are not displayed in the menu.

Note on the VPL-S900E model

The optional IFB-X600E Interface Board is required for inputting the video signal. If you do not install the video board into the unit, the video signal cannot be selected.



Operation

1. Select an item

Use the \uparrow or \downarrow key to select the item, then press the \rightarrow or ENTER key.

2. Adjust an item

- When changing the adjustment level:
 - To increase the number, press the \uparrow or \rightarrow key.
 - To decrease the number, press the \downarrow or \leftarrow key.
 - Press the ENTER key to restore the original screen.
- When changing the setting:
 - Press the \uparrow or \downarrow key to change the setting.
 - Press the ENTER or \leftarrow key to restore the original screen.

CONTRAST

Adjusts the picture contrast.



The higher the setting, the greater the contrast.
The lower the setting, the lower the contrast.

BRIGHT

Adjusts the picture brightness.



The higher the setting, the brighter the picture.
The lower the setting, the darker the picture.

COLOR

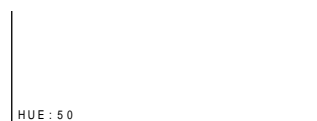
Adjusts color intensity.



The higher the setting, the greater the intensity.
The lower the setting, the lower the intensity.

HUE

Adjusts skin tones.



A higher the setting, the picture becomes greenish.
A lower the setting, the picture becomes purplish.

SHARP

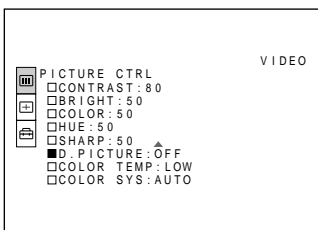
Adjusts the picture sharpness.



The higher the setting, the sharper the picture.
The lower the setting, the softer the picture.

D. (Dynamic) PICTURE

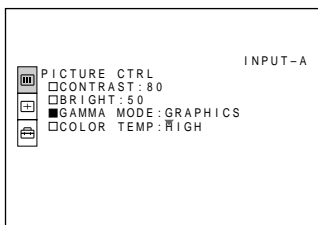
Emphasizes the black color.



ON: Emphasizes the black color to produce a bolder “dynamic” picture.
OFF: Reproduces the dark portions of the picture accurately, in accordance with the source signal.

GAMMA MODE

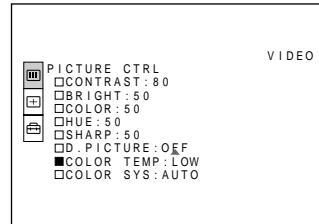
Selects a gamma correction curve.



GRAPHICS: Improves the reproduction of half tones. Photos can be reproduced in natural tones.
TEXT: Contrasts black and white. Suitable for images that contains lots of text.

COLOR TEMP

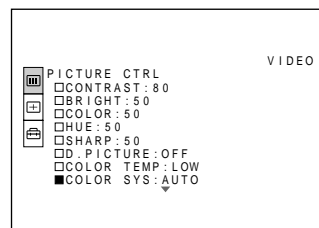
Adjusts the color temperature.



HIGH: Makes the white color bluish.
LOW: Makes the white color reddish.

COLOR SYS (System)

Selects the color system of the input signal.



Normally, set to AUTO.
If the picture is distorted or colorless, select the color system according to the input signal.

Input signals and adjustable/setting items

Item	Input signal			
	Video or S video (Y/C)	Component	RGB	B&W
CONTRAST	●	●	●	●
BRIGHT	●	●	●	●
COLOR	●	●	–	–
HUE	● (NTSC3.58/ 4.43 only)	–	–	–
SHARP	●	●	–	●
D. PICTURE	●	●	–	●
GAMMA MODE	–	–	●	–
COLOR TEMP	●	●	●	●
COLOR SYS	●	–	–	●

● : Adjustable/can be set
– : Not adjustable/can not be set

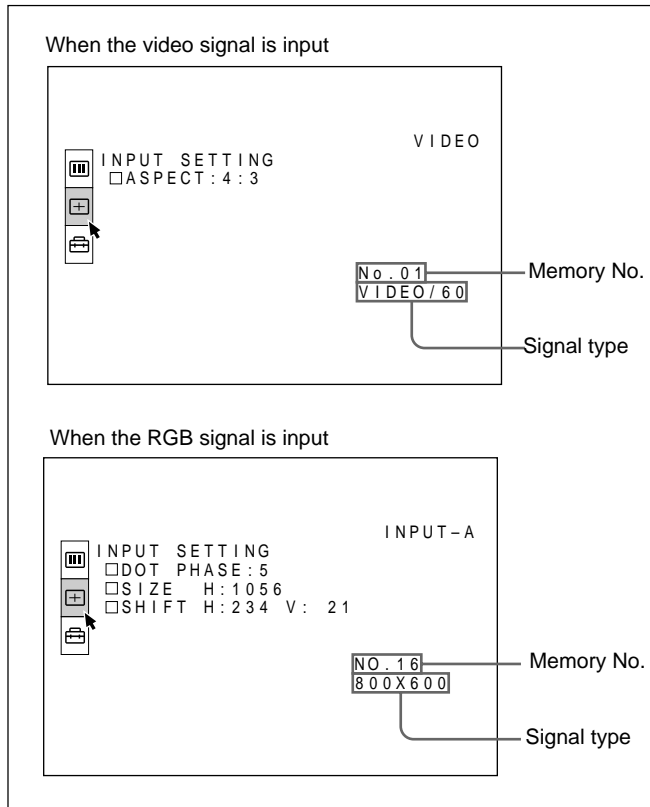
The INPUT SETTING Menu

The INPUT SETTING menu is used to adjust the input signal.

Unadjustable items depending on the input signal are not displayed in the menu.

Note on the VPL-S900E model

The optional IFB-X600E Interface Board is required for inputting the video signal. If you do not install the video board into the unit, the video signal cannot be selected.



Operation

1. Select an item

Use the \uparrow or \downarrow key to select the item, then press the \rightarrow or ENTER key.

2. Adjust an item

- When changing the adjustment level:
 - To increase the number, press the \uparrow or \rightarrow key.
 - To decrease the number, press the \downarrow or \leftarrow key.
 - Press the ENTER key to restore the original screen.
- When changing the setting:
 - Press the \uparrow or \downarrow key to change the setting.
 - Press the ENTER or \leftarrow key to restore the original screen.

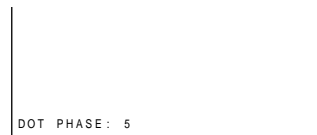
Note

When the HDTV signal is input, the items in the INPUT SETTING menu cannot be adjusted.

DOT PHASE

Adjusts the dot phase of the LCD panel and the signal input from the INPUT A/B connectors. Adjust the picture further for finer picture after the picture is adjusted with pressing the APA key.

Adjust the picture to where it looks clearest.



SIZE

Adjusts the horizontal size of picture input from the INPUT A/B connectors.



The higher the setting, the larger the horizontal size of the picture.

The lower the setting, the smaller the horizontal size of the picture. Adjust the setting according to the dots of the input signal. For details on the suitable value for the preset signals, see page 30 (EN).

SHIFT

Adjusts the position of the picture input from the INPUT A/B connectors.



H adjusts the horizontal position of the picture.

V adjusts the vertical position of the picture.

As the setting for H increases, the picture moves to the right, and as the setting decreases, the picture moves to the left.

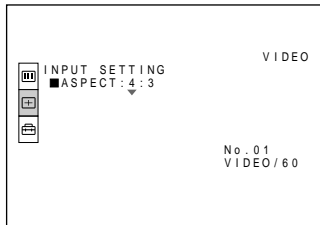
As the setting for V increases, the picture moves up, and as the setting decreases, the picture moves down.

Use the \leftarrow or the \rightarrow key to adjust the horizontal position and the \uparrow and \downarrow key for the vertical position.

ASPECT

Sets the aspect ratio of the picture.

When inputting 16:9 (squeezed) signal from equipment such as a DVD player, set to 16:9.

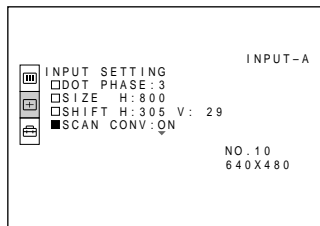


4:3: When the picture with ratio 4:3 is input.

16:9: When the picture with ratio 16:9 (squeezed) is input.

SCAN CONV (Scan converter)

Converts the signal to display the picture according to the screen size.



ON: Displays the picture according to the screen size. The picture will lose some clarity.

OFF: Displays the picture while matching one pixel of input picture element to that of the LCD. The picture will be clear but the picture size will be smaller.

Note

When the SVGA, XGA or SXGA signal is input, this item will not be displayed.

Input signals and adjustable/setting items

Item	Input signal			
	Video or S video (Y/C)	15k RGB Component	RGB	B&W
DOT PHASE	–	–	●	–
SIZE	–	–	●	–
SHIFT	–	–	●	–
ASPECT	●	●	–	●
SCAN CONV	–	–	●	–

● : Adjustable/can be set

– : Not adjustable/can not be set

About the preset memory No.

This projector has 38 kinds of preset data for input signals for each INPUT A/B (the preset memory). The memory number of the current input signal and the signal type are displayed when the preset signal is input. This projector automatically detects the signal type. When the signal is registered to the preset memory, a suitable picture is displayed on the screen according to the signal type. You can adjust the picture through the INPUT SETTING menu.

This projector also has 20 kinds of user memories for each INPUT A/B. When an unpreset signal is input for the first time, memory number is displayed as 00. If the input signal is adjusted in the INPUT SETTING menu, the setting via INPUT A is stored under the memory number 51 to 70, and the setting via INPUT B is stored under 71 to 90. When more than 20 user memories are registered for each INPUT A/B, the newest memory is automatically stored over the oldest one.

The INPUT SETTING Menu

Preset signals

Memory No.	Preset signal	fH (kHz)	fV (Hz)	Sync	SIZE	
1	Video 60 Hz	15.734	59.940	H-neg V-neg		
2	Video 50 Hz	15.625	50.000	H-neg V-neg		
3	15k RGB/Component 60 Hz	15.734	59.940	H-neg V-neg		
4	15k RGB/Component 50 Hz	15.625	50.000	H-neg V-neg		
6	640 × 350	VGA mode 1	31.469	70.086	H-pos V-neg	800
7		VGA VESA ^{a)} 85 Hz	37.861	85.080	H-pos V-neg	832
8	640 × 400	PC-9801 ^{b)} Normal	24.823	56.416	H-neg V-neg	848
9		VGA mode 2	31.469	70.086	H-neg V-pos	800
10		VGA VESA 85 Hz	37.861	85.080	H-neg V-pos	832
11	640 × 480	VGA mode 3	31.469	59.940	H-neg V-neg	800
12		Macintosh 13"	35.000	66.667	H-neg V-neg	864
13		VGA VESA 72 Hz	37.861	72.809	H-neg V-neg	832
14		VGA VESA 75 Hz	37.500	75.000	H-neg V-neg	840
15		VGA VESA 85 Hz	43.269	85.008	H-neg V-neg	832
16	800 × 600	SVGA VESA 56 Hz	35.156	56.250	H-pos V-pos	1024
17		SVGA VESA 60 Hz	37.879	60.317	H-pos V-pos	1056
18		SVGA VESA 72 Hz	48.077	72.188	H-pos V-pos	1040
19		SVGA VESA 75 Hz	46.875	75.000	H-pos V-pos	1056
20		SVGA VESA 85 Hz	53.674	85.061	H-pos V-pos	1048
21	832 × 624	Macintosh 16"	49.724	74.550	H-neg V-neg	1152
22	1024 × 768	XGA VESA 43 Hz	35.522	43.479	H-pos V-pos	1264
23		XGA VESA 60 Hz	48.363	60.004	H-neg V-neg	1344
24		XGA VESA 70 Hz	56.476	70.069	H-neg V-neg	1328
25		XGA VESA 75 Hz	60.023	75.029	H-pos V-pos	1312
26		XGA VESA 85 Hz	68.677	84.997	H-pos V-pos	1376
27	1152 × 864	SXGA VESA 70 Hz	63.995	70.016	H-pos V-pos	1472
28		SXGA VESA 75 Hz	67.500	75.000	H-pos V-pos	1600
29		SXGA VESA 85 Hz	77.487	85.057	H-pos V-pos	1568
30	1152 × 900	Sunmicro LO	61.795	65.960	H-neg V-neg	1504
31		Sunmicro HI	71.713	76.047	H-neg V-neg	1472
32	1280 × 960	SXGA VESA 60 Hz	60.000	60.000	H-pos V-pos	1800
33		SXGA VESA 75 Hz	75.000	75.000	H-pos V-pos	1728
34	1280 × 1024	SXGA VESA 43 Hz	46.433	43.436	H-pos V-pos	1696
35		SXI-5	53.316	50.062	Sync on G	1680
36		SXGA VESA 60 Hz	63.974	60.013	H-pos V-pos	1696
37		SXGA VESA 75 Hz	79.976	75.025	H-pos V-pos	1688
38		SXGA VESA 85 Hz	91.146	85.024	H-pos V-pos	1012

a) VESA is a registered trademark of Video Electronics Standard Association.

b) PC-98 is a registered trademark of NEC Corporation.

Since the data is recalled from the preset memory about the following signals, you can use these preset data by adjusting SIZE. Make fine adjustment by adjusting SHIFT.

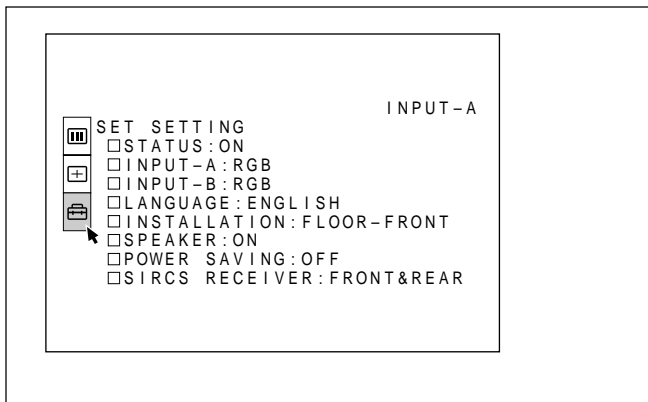
Signal	Memory No.	SIZE
Super Mac-2	23	1312
SXI-1	23	1320
Macintosh 19"	25	1328
Macintosh 21"	28	1456
Sony News	36	1708
PC-9821 1280 × 1024	36	1600
WS Sunmicro	37	1664

Note

When the aspect ratio of input signal is other than 4:3, a part of the screen is displayed in black.

The SET SETTING Menu

The SET SETTING menu is used for changing the settings of the projector.



Operation

1. Select an item

Use the **▲** or **▼** key to select the item, then press the **▶** or **ENTER** key.

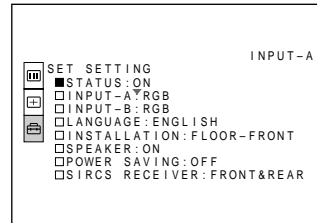
2. Change the setting

Press the **▲** or **▼** key to change the setting.

To restore the original screen, press the **ENTER** or **◀** key.

STATUS (on-screen display)

Sets up the on-screen display.



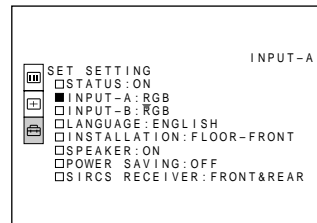
ON: Shows all of the on-screen displays.

OFF: Turns off the on-screen displays except for the menus, a message when turning off the power, and warning messages.

For details on the warning messages, see page 39 (EN).

INPUT-A

Selects the RGB or component signal input from the INPUT A connector.

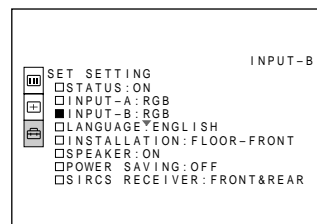


Note

If the setting is not correct, “Please check INPUT-A in SET SETTING.” appears on the screen and the color of the picture becomes strange or the picture is not displayed.

INPUT-B

Selects the RGB or component signal input from the INPUT B connector.



Note

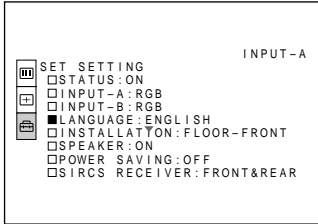
If the setting is not correct, “Please check INPUT-B in SET SETTING.” appears on the screen and the color of the picture becomes strange or the picture is not displayed.

(Continued)

The SET SETTING Menu

LANGUAGE

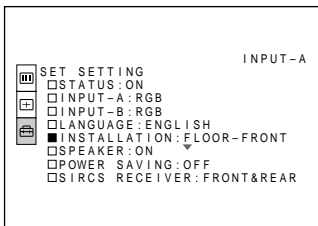
Selects the language used in the menu and on-screen displays.



Available languages are: English, French, German, Italian, Spanish, Japanese and Chinese.

INSTALLATION

Sets to reverse the picture horizontally or vertically.



FLOOR-FRONT: The picture is not reversed.

CEILING-FRONT: The picture is reversed horizontally and vertically.

FLOOR-REAR: The picture is reversed horizontally.

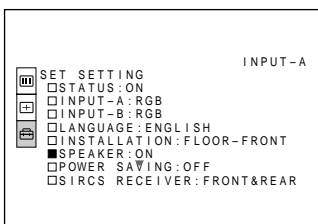
CEILING-REAR: The picture is reversed vertically.

Note

In case of using a mirror, be careful of installation since the picture may be reversed.

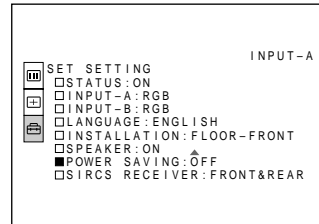
SPEAKER

Set to OFF to cut off the sound of the internal speakers. When set to OFF, "SPEAKER OFF" appears on the screen when you turn on the power.



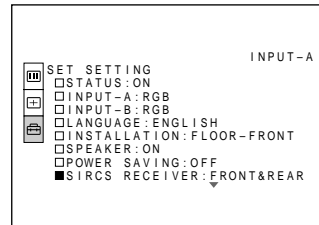
POWER SAVING

When set to ON, the projector goes into the power saving mode if no signal is input for 10 minutes.



SIRCS RECEIVER

Selects the remote control detectors on the front and rear of the projector.

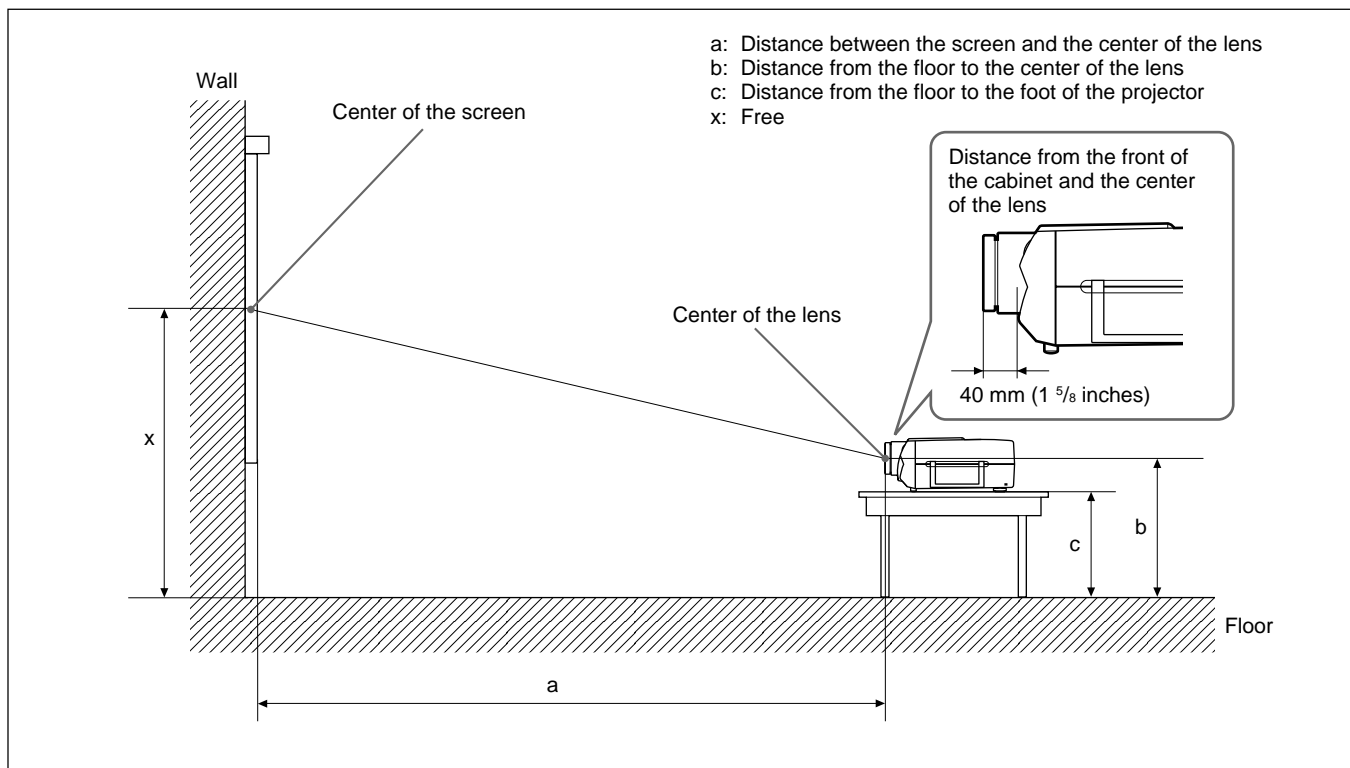


FRONT & REAR: Activates both the front and rear detectors.

FRONT: Activates the front detector only.

REAR: Activates the rear detector only.

Floor Installation



Unit: mm (inches)

Screen size (inches)		40	60	80	100	120	150	180	200	250	300
a	Minimum	1570 (61 7/8)	2400 (94 1/2)	3240 (127 5/8)	4070 (160 3/8)	4900 (193)	6150 (242 1/4)	7410 (291 7/8)	8240 (324 1/2)	10320 (406 3/8)	12410 (488 3/4)
	Maximum	2000 (78 3/4)	3040 (119 3/4)	4090 (161 1/8)	5130 (202)	6180 (243 3/8)	7750 (305 1/4)	9310 (366 5/8)	10360 (408)	12970 (510 3/4)	15580 (613 1/2)
b		x-292 (11 5/8)	x-439 (17 3/8)	x-585 (23 1/8)	x-731 (28 7/8)	x-877 (34 5/8)	x-1097 (43 1/4)	x-1316 (51 7/8)	x-1462 (57 5/8)	x-1828 (72)	x-2194 (86 3/8)
c		x-376 (14 7/8)	x-522 (20 5/8)	x-668 (26 3/8)	x-815 (32 1/8)	x-961 (37 7/8)	x-1180 (46 1/2)	x-1399 (55 1/8)	x-1546 (60 7/8)	x-1911 (75 3/8)	x-2277 (89 3/4)

To calculate the installation measurement (unit: mm)

SS: screen size diagonal (inches)

$$a \text{ (minimum)} = \{(SS \times 52.83/1.2992) - 95.03\} \times 1.025$$

$$a \text{ (maximum)} = \{(SS \times 69.64/1.2992) - 96.17\} \times 0.975$$

$$b = x - (SS/1.2992 \times 9.5)$$

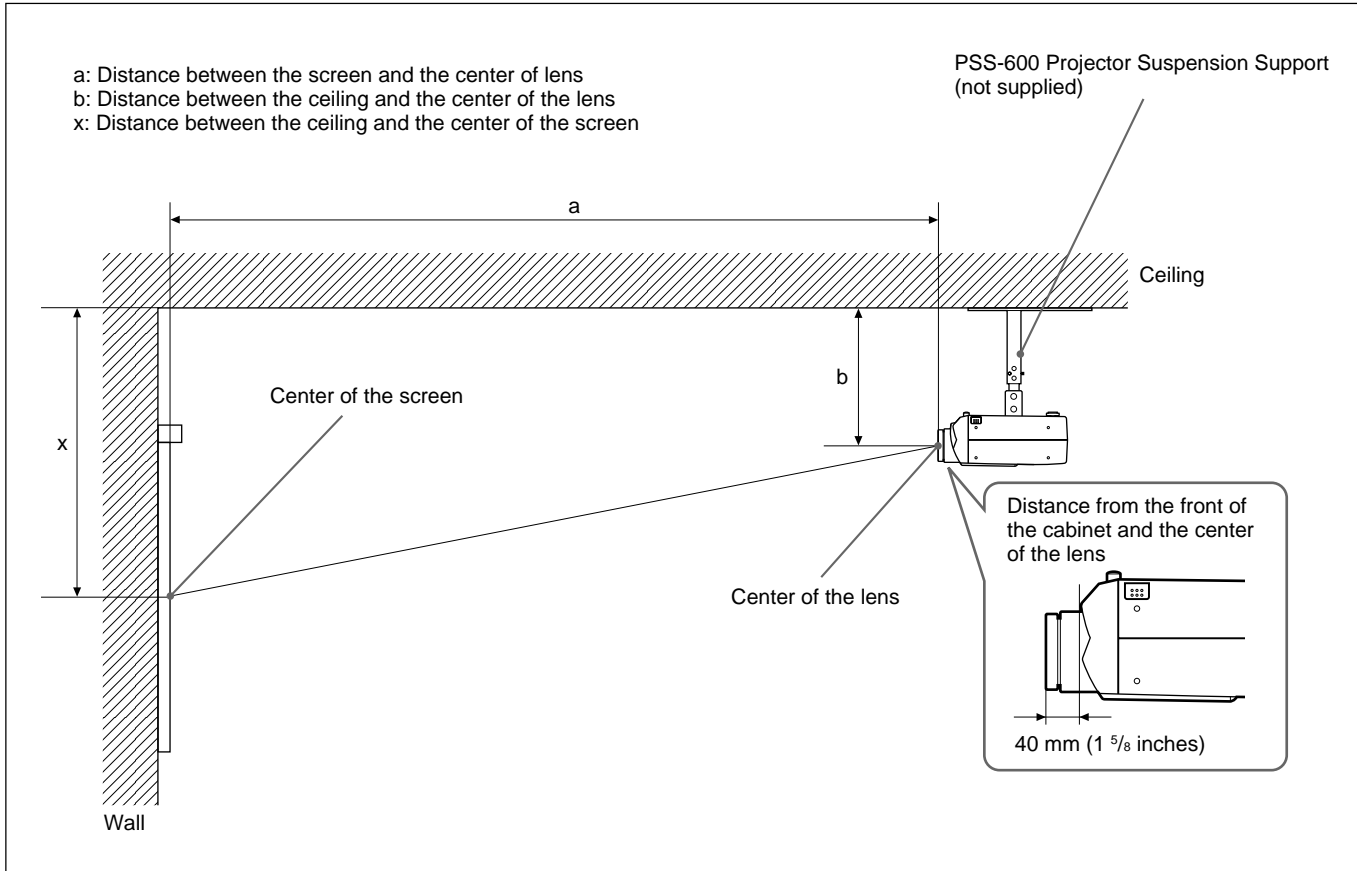
$$c = x - (SS/1.2992 \times 9.5 + 83.3)$$

Installation Examples

Ceiling Installation

When installing the projector on the ceiling, use the PSS-600 Projector Suspension Support.

For ceiling installation, consult with qualified Sony personnel.



Unit: mm (inches)

Screen size (inches)		80	100	120	150	180	200	250	300	
a	Minimum	3240 (127 5/8)	4070 (160 3/8)	4900 (193)	6150 (242 1/4)	7410 (291 7/8)	8240 (324 1/2)	10320 (406 3/8)	12410 (488 3/4)	
	Maximum	4090 (161 1/8)	5130 (202)	6180 (243 3/8)	7750 (305 1/4)	9310 (366 5/8)	10360 (408)	12970 (510 3/4)	15580 (613 1/2)	
x		b+585 (23 1/8)	b+731 (28 7/8)	b+877 (34 5/8)	b+1097 (43 1/4)	b+1316 (51 7/8)	b+1462 (57 5/8)	b+1828 (72)	b+2194 (86 1/2)	
b		226/251/276/326/351/376 mm (9/10/10 7/8/12 7/8/13 7/8/14 7/8 inches) adjustable when using PSS-600								

To calculate the installation measurement (unit: mm)

SS: screen size diagonal (inches)

$$a \text{ (minimum)} = \{(SS \times 52.83/1.2992) - 95.03\} \times 1.025$$

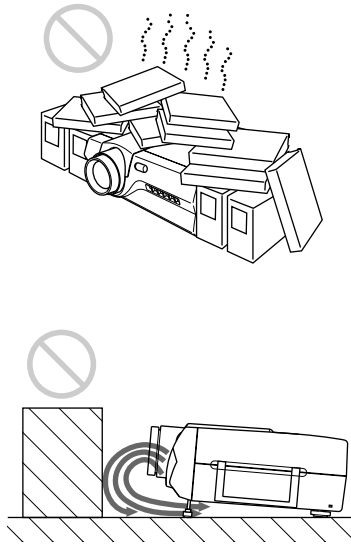
$$a \text{ (maximum)} = \{(SS \times 69.64/1.2992) - 96.17\} \times 0.975$$

$$x = b + SS/1.2992 \times 9.5$$

Unsuitable Installation

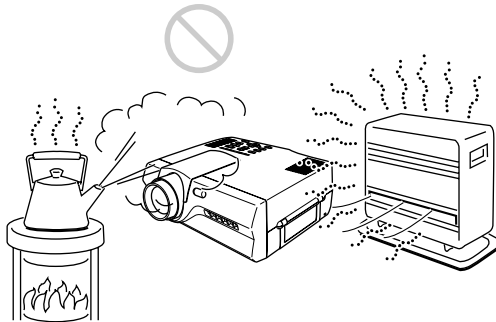
Do not install the projector in the following situations. These installations may cause malfunction or damage to the projector.

Poorly ventilated



- Allow adequate air circulation to prevent internal heat build-up. Do not place the unit on surfaces (rugs, blankets, etc.) or near materials (curtains, draperies) that may block the ventilation holes. When the internal heat builds up due to the block-up, the temperature sensor will function with the message “High Temperature! Power off in 1 min.” The power will be turned off automatically after one minute.
- Leave space of more than 30 cm (11 7/8 inches) around the front ventilation holes.
- Be careful that the bottom ventilation holes may inhale tininess such as a piece of paper.
- If you put something in front of the front ventilation holes, the exhaust may be inhaled into the projector through the ventilation holes at the bottom, causing the internal temperature to rise, which activates the protection circuit. Install the projector so that the exhaust is not blocked.

Highly heated and humid



- Avoid installing the unit in a location where the temperature or humidity is very high, or temperature is very low.
- To avoid moisture condensation, do not install the unit in a location where the temperature may rise rapidly.

Very dusty

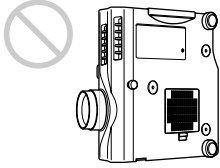


Avoid installing the unit in a location where there is a lot of dust; otherwise, the air filter will be obstructed. The dust blocking the air through the filter may cause raising the internal heat of the projector. Clean it up periodically.

Notes on Installation

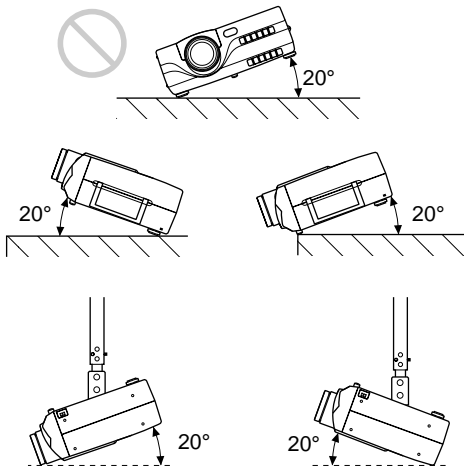
Carry out the followings.

No toppling of the unit



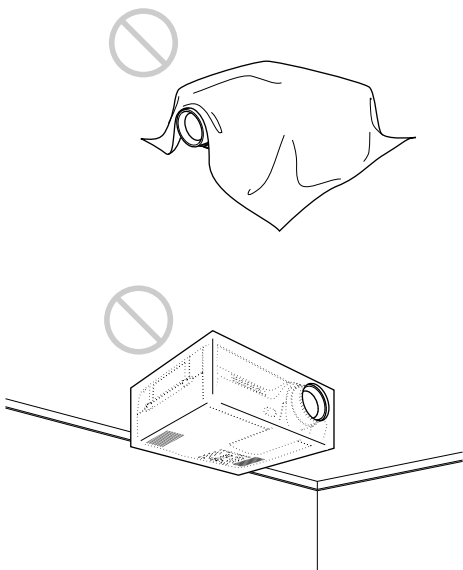
Avoid using as the unit topples over on its side. It may cause malfunction.

Use to be level



Avoid using as the unit titles more than 20 degrees. Do not install the unit other than on the floor or ceiling. These installation may cause malfunction.

No blocking the ventilation holes



Avoid using something to cover over the front ventilation holes; otherwise, the internal heat may build up.

Use the supplied front cover only when the power is turned off. Do not turn on the projector with the front cover on. It may cause malfunction.

Note on the Time to Replace the Lamp

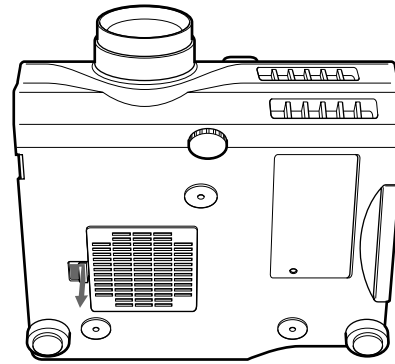
When it is time to replace the lamp, replace the lamp promptly with a new LMP-600 Projector Lamp.
For details on replacement, refer to the instruction manual supplied with the LMP-600 Projector Lamp.

Cleaning the Air Filter

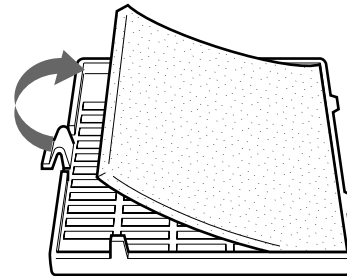
The air filter should be cleaned every 300 hours. When it becomes difficult to remove the dust from the filter, replace the filter with a new one.

To clean the air filter, follow the steps below:

- 1** Turn off the power and unplug the power cord.
- 2** Remove the air filter cover on the bottom of the projector.



- 3** Remove the air filter.



- 4** Remove the dust from the filter with a vacuum cleaner.
- 5** Attach the air filter and replace the cover.

Notes

- If the air filter is excessively dirty, wash it with a mild detergent solution and dry it in a shaded place. If the dust cannot be removed, replace the air filter with the supplied new one.
- Be sure to attach the air filter cover firmly; the power will not be turned on if it is not closed securely.

Troubleshooting

If the projector appears to be operating erratically, try to diagnose and correct the problem, using the following guide. If the problem still persists, consult with qualified Sony personnel.

Symptom	Cause	Remedy
The power is not turned on.	The power has been turned off and on with the I / ⏻ key at a short interval.	Wait for about one minute before turning on the power (see page 22 (EN)).
	The lamp cover is detached.	Close the lamp cover securely.
	The air filter cover is detached.	Close the air filter cover securely (see page 37 (EN)).
No picture and no sound.	Cable is disconnected.	Check that the proper connections have been made (see pages 18 (EN) to 21 (EN)).
	Wrong connection.	Check that the proper connections have been made (see pages 18 (EN) to 21 (EN)).
	Input selection is incorrect.	Select the input source correctly using the INPUT key (see page 22 (EN)).
No picture or no sound.	Either the picture or the sound is cut off.	Press the MUTING keys to release the muting function (see page 23 (EN)).
No picture.	The computer signal is not set to output to external monitor.	Set the computer signal to output to external monitor (see page 18 (EN)).
	The computer signal is set to output to both the LCD of the computer and external monitor.	Set the computer signal to output only to external monitor (see page 18 (EN)).
The picture is noisy.	Noise may appear on the background depending on the combination of the numbers of dot input from the connector and numbers of pixel on the LCD panel.	Change the desktop pattern on the connected computer.
When inputting sound through INPUT A/B connector, sound comes through one channel only.	Monaural sound is being input through the INPUT A/B connector.	Input stereo sound.
The picture from INPUT A/B connector is colored strange.	Setting for INPUT-A/INPUT-B in the SET SETTING menu is incorrect.	Select RGB or COMPONENT for INPUT-A or INPUT-B in the SET SETTING menu according to the input signal (see page 31 (EN)).
"Please check INPUT-A in SET SETTING." appears in spite of inputting the correct signal from INPUT A.	Setting for INPUT-A in the SET SETTING menu is incorrect.	Select RGB or COMPONENT for INPUT-A in the SET SETTING menu according to the input signal (see page 31 (EN)).
"Please check INPUT-B in SET SETTING." appears in spite of inputting the correct signal from INPUT B.	Setting for INPUT-B in the SET SETTING menu is incorrect.	Select RGB or COMPONENT for INPUT-B in the SET SETTING menu according to the input signal (see page 31 (EN)).
No display appears though the correct signal is input from INPUT B.	The RGB IN/OUT select switch is set to OUT.	Set the switch to IN (see page 14 (EN)).
"NO INPUT" appears when 15k RGB or component signal is input.	The sync signal is incorrect.	Input the correct sync signal (composite sync or sync on G signal (sync on Y for component signal)).
On-screen displays do not appear.	STATUS in the SET SETTING menu has been set to OFF.	Set STATUS in the SET SETTING menu to ON (see page 31 (EN)).
Color balance is incorrect.	Picture has not been adjusted properly.	Adjust the picture (see pages 26 (EN) and 27 (EN)).
	Projector is set to wrong color system.	Set COLOR SYS in the PICTURE CTRL menu to match the color system being input (see page 27 (EN)).
The picture is too dark.	Contrast or brightness has not been adjusted properly.	Adjust the contrast or brightness in the PICTURE CTRL menu properly (see page 26 (EN)).
The picture is not clear.	Picture is out of focus.	Adjust the focus (see page 23 (EN)).
	Condensation has occurred on the lens.	Leave the projector for about two hours with the power on (see page 35 (EN)).

Symptom	Cause	Remedy
The LAMP/COVER indicator flashes.	The lamp cover or the air filter cover is detached.	Attach the cover securely (see page 37 (EN)).
The LAMP/COVER indicator lights up.	The lamp has reached the end of its life.	Replace the lamp (see page 37 (EN)).
The TEMP/FAN indicator flashes.	The fan is broken.	Consult with qualified Sony personnel.
The TEMP/FAN indicator lights up.	The internal temperature is unusually high.	Check to see if nothing is blocking the ventilation holes.
The Remote Commander does not work.	The Remote Commander batteries are dead.	Replace with new batteries (see page 16 (EN)).
	The COMMANDER ON/OFF switch is set to the OFF position.	Set the switch to ON position (see page 16 (EN)).
	You are using the Remote Commander as a wireless Remote Commander, and it is connected to the projector.	Disconnect the cable.
	The front/rear remote commander detector is near the fluorescent lamp.	Change the setting of SIRCS RECEIVER in the SET SETTING menu (see page 32 (EN)).
The laser pointer is not emitted.	The batteries are dead.	Replace with new batteries (see page 16 (EN)).
	The Remote Commander is used as wired without batteries.	Install batteries (see page 16 (EN)).
The joystick, R CLICK, or L CLICK key does not function.	The mouse port on the computer does not recognize the mouse cable.	Restart the computer.

Warning messages

Use the list below to check the meaning of the messages displayed on the screen.

Message	Meaning	Remedy
High Temperature! Power off in 1 min.	Internal temperature is too high.	Turn off the power. Check to see if nothing is blocking the ventilation holes.
Frequency is out of range!	This input signal cannot be projected as the frequency is out of the acceptable range of the projector.	Input a signal that is within the range of the frequency.
	The resolution setting of the output signal of a computer is too high.	Set the setting of output to the SVGA.
Please check INPUT-A in SET SETTING.	You have input RGB signal from the computer when INPUT-A in the SET SETTING menu is set to COMPONENT.	Set INPUT-A correctly.
Please check INPUT-B in SET SETTING.	You have input RGB signal from the computer when INPUT-B in the SET SETTING menu is set to COMPONENT.	Set INPUT-B correctly.

Caution messages

Use the list below to check the meaning of the messages displayed on the screen.

Message	Meaning	Remedy
NO INPUT	No input signal	Check connections.
Not applicable!	You have pressed the wrong key.	Press the appropriate key.

Specifications

Optical characteristics

Projection system	3 LCD panels, 1 lens, projection system
LCD panel	1.3-inch TFT LCD panel, 1,440,000 pixels (480,000 pixels × 3)
Lens	1.3 times zoom lens f 54 to 70 mm/F 2.0 to 2.4
Lamp	120 W UHP
Projection picture size	Range: 40 to 300 inches (diagonal measure)
Light output	ANSI lumen ¹⁾ 1100 lm
Throwing distance	(800 × 600 dots display) 40-inch: 1570 to 2000 mm (61 ⁷ / ₈ to 78 ³ / ₄ inches) 80-inch: 3240 to 4090 mm (127 ⁵ / ₈ to 161 ¹ / ₈ inches) 100-inch: 4070 to 5130 mm (160 ³ / ₈ to 202 inches) 120-inch: 4900 to 6180 mm (193 to 243 ³ / ₈ inches) 200-inch: 8240 to 10360 mm (324 ¹ / ₂ to 408 inches) 300-inch: 12410 to 15580 mm (488 ³ / ₄ to 613 ¹ / ₂ inches)

Electrical characteristics

Color system	NTSC _{3.58} /PAL/SECAM/NTSC _{4.43} / PAL-M system, switched automatically/manually
Resolution	600 horizontal TV lines (Video input) 800 × 600 dots (RGB input)
Acceptable computer signals	fH:15, 24 to 91 kHz fV:43 to 85 Hz
Speaker	Wide frequency range 3 speakers system, Woofer: 57 mm (2 ¹ / ₄ inches) diameter, max. 1 W Tweeter: 28 mm (1 ¹ / ₈ inches) diameter, max. 0.2 W × 2 (stereo)

Input/Output

VIDEO IN (only for VPL-S900U/M)	VIDEO: phono type Composite video: 1 Vp-p ±2 dB sync negative (75 ohms terminated) S VIDEO: Y/C mini DIN 4-pin type (male)
---------------------------------	--

Y (luminance): 1 Vp-p ±2 dB sync negative (75 ohms terminated)
C (chrominance): burst
0.286 Vp-p ±2 dB (NTSC) (75 ohms terminated),
burst 0.3 Vp-p ±2 dB (PAL) (75 ohms terminated)

AUDIO IN (only for VPL-S900U/M)
Phono type × 2
500 mVrms, impedance more than 47 kilohms

INPUT A/INPUT B

HD D-sub15-pin (female)
Analog RGB/component:

When using as input
R/R-Y: 0.7 Vp-p ±2 dB (75 ohms terminated)
G: 0.7 Vp-p ±2 dB (75 ohms terminated)
G with sync/Y: 1 Vp-p ±2 dB sync negative (75 ohms terminated)
B/B-Y: 0.7 Vp-p ±2 dB (75 ohms terminated)
SYNC/HD:

Composite sync input: 1-5 Vp-p high impedance, positive/negative
Horizontal sync input: 1-5 Vp-p high impedance, positive/negative
VD:
Vertical sync input: 1-5 Vp-p high impedance, positive/negative

When using as output (INPUT B only) (input/output switching, outputs signal input from RGB connector on INPUT A)

R/R-Y: Gain unity (75 ohms terminated)

G: Gain unity (75 ohms terminated)

B/B-Y: Gain unity (75 ohms terminated)

SYNC/HD: Composite sync output 4Vp-p (open), 1Vp-p (75 ohms input)

Horizontal sync output 4Vp-p (open) 1Vp-p (75 ohms input)

VD: Vertical sync output 4Vp-p (open) 1Vp-p (75 ohms input)

MOUSE (output): 13-pin (female)
(For details, see "Pin assignment" on page 42 (EN).)

	AUDIO: Stereo minijack 500 mVrms, impedance more than 47 kilohms
AUDIO OUT (variable out): stereo minijack	Max. 1 Vrms, when an output signal is 500 mVrms, impedance less than 5 kilohms
CONTROL S IN/PLUG IN POWER	Stereo minijack 5 Vp-p, plug in power, DC 5 V maximum output 60 mA
Safety regulations	VPL-S900U: UL1950, cUL (CSA C22.2 No.950), FCC Class A, IC Class A, DHHS VPL-S900E/S900M: EN60 950 EN60825-1, CE, C-Tick

Video Signal Cable SMF-401 (1)
Signal Adapter (for Macintosh) (1)
Mouse Cable
SIC-S20 (for Macintosh) (2 m) (1)
SIC-S21 (for Serial) (2 m) (1)
SIC-S22 (for PS/2) (2 m) (1)
Audio/video cable (1.5 m) (1) (except for VPL-S900E)
Strap for Remote Commander (1)
AC power cord (1)
Lens cap (1)
Front cover (1)
Air filter (for replacement) (1)
Operating Instructions (1)
Installation Manual for Dealers (1)
Quick Reference Card (1)
Warranty Card (1) (only for VPL-S900U)

Laser beam

Laser type	Class 2
Wavelength	645 nm
Output	1 mW

Design and specifications are subject to change without notice.

General

Dimensions	333 × 120 × 291 mm (13 1/4 × 4 3/4 × 11 1/2 inches) (w/h/d) (excluding lens, adjusters, and protruding parts) 339 × 136 × 322 mm (13 3/8 × 5 3/8 × 12 3/4 inches) (w/h/d)
Mass	Approx. 5.9 kg (13 lb)
Power requirements	AC 100 to 120 V/ 220 to 240 V, 2A/0.9A, 50/60 Hz
Power consumption	Max. 220 W (Standby mode: 2 W)
Heat dissipation	750.7 BTU
Operating temperature	0°C to 40°C (32°F to 104°F)
Operating humidity	35% to 85% (no condensation)
Storage temperature	-20°C to 60°C (-4°F to 140°F)
Storage humidity	10% to 90%
Supplied accessories	Remote Commander RM-PJM600 (1) Size AA (R6) batteries (2)

Optional accessories

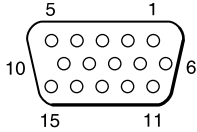
Projector Lamp LMP-600 ¹⁾ (for replacement)
Projector Suspension Support PSS-600
Interface Board IFB-X600E (only for VPL-S900E)
Video Signal Cable
SMF-400 (HD D-sub 15-pin (male) ↔ 5 × BNC (male))
SMF-401 (HD D-sub 15-pin (male) ↔ HD D-sub 15-pin (male))
Signal Cable
SMF-402 (HD D-sub 15-pin (male) ↔ 3 × phono type (male))
Mouse Cable
SIC-S20 (for Macintosh) (2 m)
SIC-S21 (for Serial) (2 m)
SIC-S22 (for PS/2) (2 m)
Signal Adapter ADP-20 (Macintosh ↔ HD D-sub 15-pin)
Projection Lens
2 times Zoom Long Focus Lens VPLL-ZM100
Fixed Short Focus Lens VPLL-FM20
Fixed Short Focus Lens VPLL-FM30
Carrying Case VLC-600 ¹⁾
Screens
50-inch Portable VPS-50C
80-inch Portable VPS-80C
100-inch Flat Screen VPS-100FH
120-inch Flat Screen VPS-120FH

Some of the items may not be available in some areas. For details, please consult your nearest Sony office.

Specifications

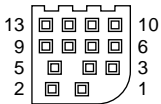
Pin assignment

RGB input (INPUT A)/RGB IN/OUT (INPUT B) connector (HD D-sub 15-pin, female)



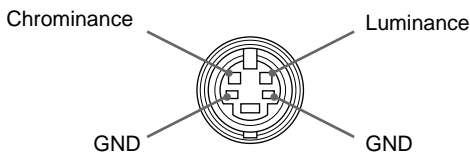
1	R/R-Y	9	N.C.
2	G/Y	10	GND
3	B/B-Y	11	GND
4	N.C.	12	N.C.
5	GND	13	HD/C.Sync
6	GND (R)	14	VD
7	GND (G)	15	N.C.
8	GND (B)		

MOUSE connector (13-pin, female)



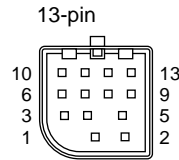
1	RTS	8	R
2	GND	9	98/AT/TXD
3	XA	10	+5V/DTR
4	XB	11	CLOCK
5	YA	12	DATA
6	YB	13	RXD
7	L/PS		

S VIDEO jack (4 pin, mini-DIN)



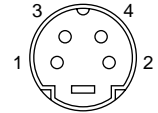
Mouse cable pin assignment

SIC-S20



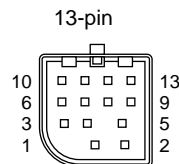
1	RTS	8	R
2	GND	9	98/AT/TXD
3	XA	10	+5V/DTR
4	XB	11	CLOCK
5	YA	12	DATA
6	YB	13	RXD
7	L/PS		

mini DIN 4-pin



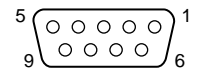
1	ADB
2	NC
3	+5V
4	GND

SIC-S21



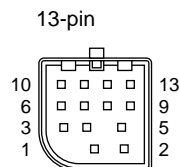
1	RTS	8	R
2	GND	9	98/AT/TXD
3	XA	10	+5V/DTR
4	XB	11	CLOCK
5	YA	12	DATA
6	YB	13	RXD
7	L/PS		

D-sub 9-pin



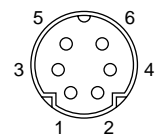
1	DCD
2	RXD
3	TXD
4	DTR
5	GND
6	DSR
7	RTS
8	CTS
9	RI

SIC-S22



1	RTS	8	R
2	GND	9	98/AT/TXD
3	XA	10	+5V/DTR
4	XB	11	CLOCK
5	YA	12	DATA
6	YB	13	RXD
7	L/PS		

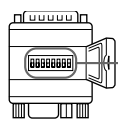
mini DIN 6-pin



1	DATA
2	NC
3	GND
4	+5V
5	CLOCK
6	NC

Switch position for signal adapter

to Macintosh



DIP switch

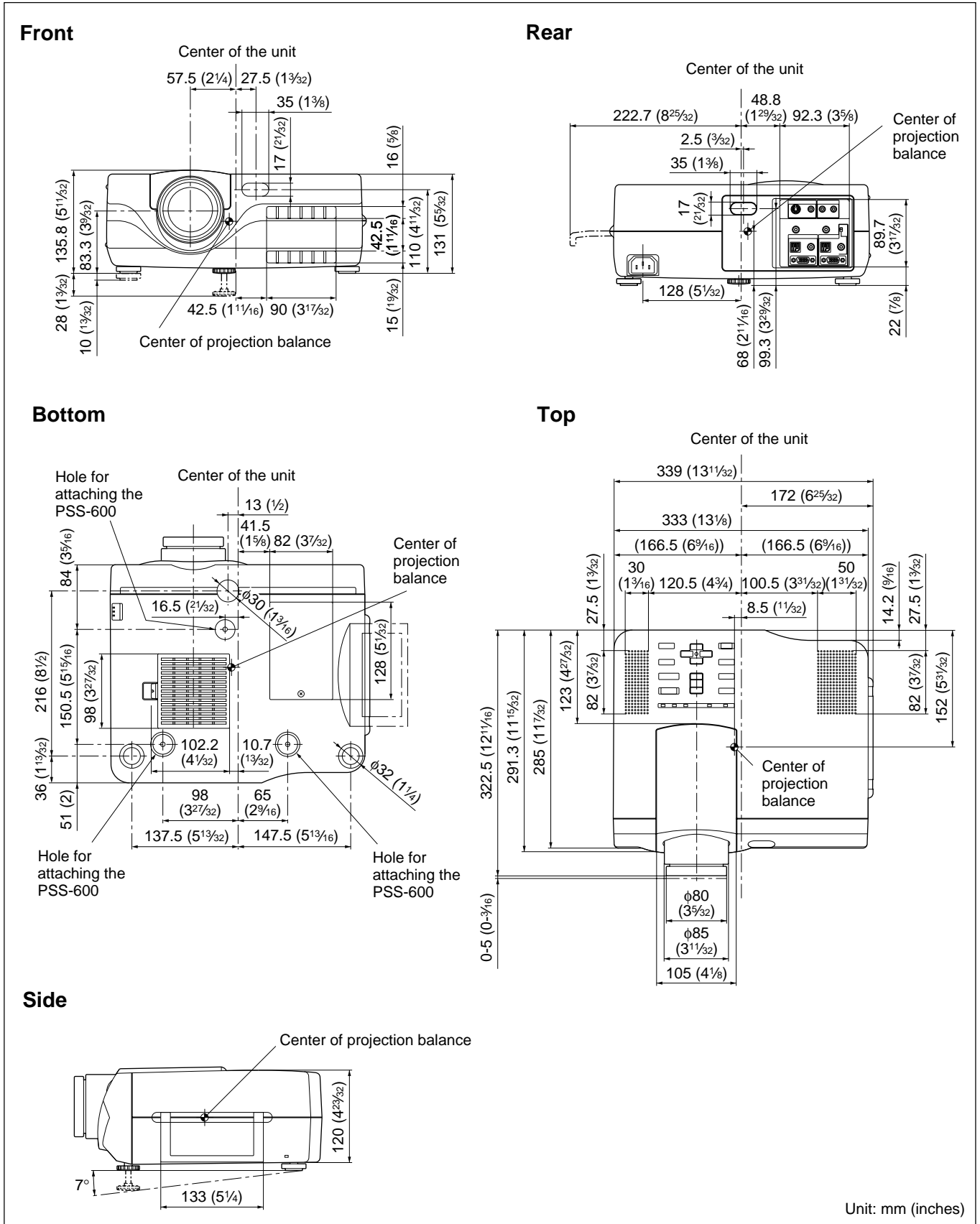
to Projector

ON (upper position) = 1
OFF (lower position) = 0

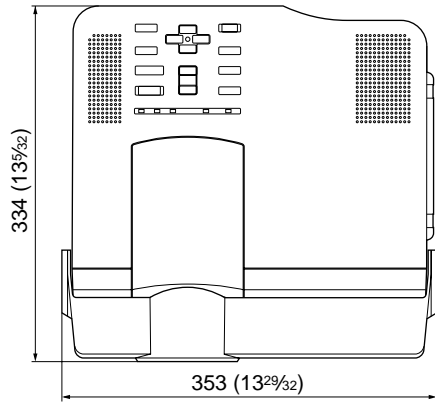
Mode	fH	DIP switch 12345678
VGA/S VGA	31.5 kHz/37.8 kHz	00111001
Macintosh 13"	35.0 kHz	11001001
Macintosh 16"	49.7 kHz	01011001
Macintosh 19"	60.2 kHz	01101001
Macintosh 21"	68.7 kHz	11111001
Macintosh 1280 × 960	75.0 kHz	11001101
Macintosh 1280 × 1024	75.0 kHz	11001101

Specifications

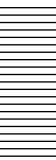
Dimensions



Top (with the front cover)



Unit: mm (inches)



A

- Adjusters 11 (EN)
- Adjusting
 - memory of the settings 25 (EN)
 - the picture 26 (EN)
 - the picture size/shift 28 (EN)
- Air filter 37 (EN)
- APA function 23 (EN)
- ASPECT 29 (EN)

B

- Battery
 - installation 16 (EN)
 - notes 16 (EN)
- BRIGHT 26 (EN)

C

- Carrying handle 10 (EN)
- COLOR 26 (EN)
- COLOR SYS (System) 27 (EN)
- COLOR TEMP 27 (EN)
- Connections
 - computer 18 (EN)
 - 15k RGB/component equipment 20 (EN)
 - Using the RGB IN/OUT connector on INPUT B as a monitor output connector 21 (EN)
 - VCR 20 (EN)
- CONTRAST 26 (EN)
- Cut off
 - the picture 23 (EN)
 - the sound 23 (EN)

D, E

- Dimensions 44 (EN), 45 (EN)
- D. (Dynamic) PICTURE 27 (EN)
- DOT PHASE 28 (EN)

F, G, H

- Front cover 9 (EN), 10 (EN)
- GAMMA MODE 27 (EN)
- HUE 26 (EN)

I, J, K

- INPUT-A 31 (EN)
- INPUT-B 31 (EN)
- INPUT SETTING menu 28 (EN)
- INSTALLATION 32 (EN)
- Installation examples
 - notes 36 (EN)
 - on a ceiling 34 (EN)
 - on a floor 17 (EN), 33 (EN)
 - unsuitable places 35 (EN)

L

- Lamp replacement 37 (EN)
- LANGUAGE 32 (EN)
- Laser pointer function 15 (EN)
- Location and function of controls
 - connector panel 14 (EN)
 - control panel 11 (EN)
 - front 9 (EN)
 - rear 13 (EN)
 - Remote Commander 15 (EN)

M, N

- Menu
 - clearing the menu display 25 (EN)
 - INPUT SETTING menu 28 (EN)
 - PICTURE CTRL menu 26 (EN)
 - SET SETTING menu 31 (EN)
 - using the menu 25 (EN)
- Message
 - caution 39 (EN)
 - warning 39 (EN)
- Mouse cable
 - connection 19 (EN)
 - pin assignment 42 (EN)
- Mouse connector 14 (EN)
 - pin assignment 42 (EN)

O

- Optional accessories 41 (EN)

P, Q

- PICTURE CTRL menu 26 (EN)
- Pin assignment 42 (EN)
- Power
 - turn off 24 (EN)
 - turn on 22 (EN)
- POWER SAVING 12 (EN), 32 (EN)
- Precautions 6 (EN)
- PSS-600 Projector Suspension Support 34 (EN)

R

- Remote Commander
 - battery installation 16 (EN)
 - installing in the front cover 10 (EN)
 - laser pointer function 15 (EN)
 - location and function of controls 15 (EN)
- Remote control detector
 - front 9 (EN)
 - rear 13 (EN)
 - setting 32 (EN)
- Reset
 - resettable items 25 (EN)
 - resetting the item 25 (EN)
- RGB input connector 14 (EN)
 - pin assignment 42 (EN)

S

- SCAN CONV (Scan converter) 29 (EN)
- Screen size 17 (EN), 33 (EN), 34 (EN)
- SET SETTING menu 31 (EN)
- SHARP 27 (EN)
- SHIFT 28 (EN)
- Signal adapter 19 (EN)
 - switch position 43 (EN)
- SIRCS RECEIVER 32 (EN)
- SIZE 28 (EN)
- SPEAKER 32 (EN)
- Specifications 40 (EN)
- STATUS (on-screen display) 31 (EN)
- Supplied accessories 41 (EN)

T, U

- Troubleshooting 38 (EN)

V, W, X, Y, Z

- Ventilation holes
 - exhaust 9 (EN)
 - intake 9 (EN)

AVERTISSEMENT

Afin d'éviter tout risque d'incendie et d'électrocution, ne pas exposer l'appareil à la pluie ou à l'humidité.

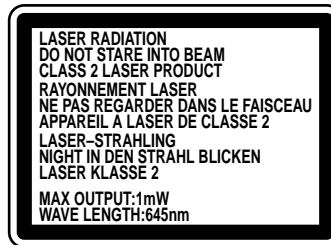
Pour éviter tout risque de décharge électrique, ne pas ouvrir le boîtier. Confiez l'entretien uniquement à un personnel qualifié.

Pour les utilisateurs au Canada

Cet appareil numérique de la classe A est conforme à la norme NMB-003 du Canada.

La prise doit être près de l'appareil et facile d'accès.

Pour les clients ayant acheté un VPL-S900E/VPL-S900M

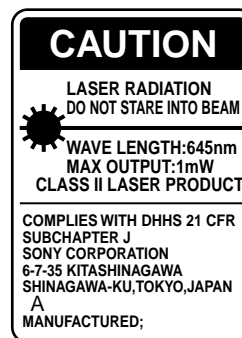


Cette étiquette est apposée au dos de la télécommande.



Cette étiquette est apposée sur le côté de la télécommande.

Pour les clients ayant acheté un VPL-S900U



Cette étiquette est apposée au dos de la télécommande.

AVOID EXPOSURE-LASER RADIATION IS EMITTED FROM THIS APERTURE.

Cette étiquette est apposée au dos de la télécommande.

Le rayon laser est émis par cette fenêtre.

**Attention**

L'utilisation de commandes ou de réglages, ou l'exécution de procédures autres que celles spécifiées peut entraîner une exposition dangereuse à des radiations.

Remarques

- N'orientez pas le laser en direction de personnes et ne regardez pas dans l'émetteur laser.
- En cas de problème avec la télécommande, adressez-vous à un personnel Sony qualifié. Nous remplaçons la télécommande par une neuve conformément aux termes de la garantie.

Table des matières

Aperçu

Précautions	4 (F)
Caractéristiques	6 (F)
Emplacement et fonction des commandes	8 (F)
Avant	8 (F)
Arrière	13 (F)
Télécommande	15 (F)

Installation et projection

Installation du projecteur	17 (F)
Raccordement	18 (F)
Raccordement à un ordinateur	18 (F)
Raccordement à un magnétoscope, appareil 15k RGB/ composante	20 (F)
Utilisation du connecteur RGB IN/OUT de INPUT B comme connecteur de sortie moniteur	21 (F)
Projection	22 (F)

Ajustements et réglages à l'aide du menu

Utilisation du MENU	26 (F)
Le menu CTRL IMAGE	27 (F)
Le menu REGL ENTREE	29 (F)
Le menu REGLAGE	32 (F)

Installation

Exemples d'installation	34 (F)
Installation au sol	34 (F)
Installation au plafond	35 (F)
Installation déconseillée	36 (F)
Remarques concernant l'installation	37 (F)

Entretien

Entretien	38 (F)
Remplacement de la lampe	38 (F)
Nettoyage du filtre à air	38 (F)
Guide de dépannage	39 (F)

Divers

Spécifications	42 (F)
Index	49 (F)


Sécurité

- Vérifiez que la tension de service de votre appareil est identique à la tension secteur locale. Si une adaptation de la tension s'avère nécessaire, adressez-vous à un personnel Sony qualifié.
- Si du liquide ou un objet solide venait à pénétrer dans le boîtier, débranchez l'appareil et faites-le vérifier par un personnel qualifié avant de le remettre en service.
- Débranchez l'appareil de la prise murale si vous prévoyez de ne pas l'utiliser pendant plusieurs jours.
- Pour débrancher le fil, saisissez-la par la fiche et non pas par le fil proprement dit.
- La prise d'alimentation doit se trouver à proximité de l'appareil et être accessible aisément.
- L'appareil n'est pas débranché de la source de courant (secteur) tant qu'il reste branché à la prise murale, même si l'appareil a été mis hors tension.
- Ne regardez pas dans l'objectif lorsque la lampe est allumée.
- N'orientez pas le laser en direction de personnes et ne regardez pas dans l'émetteur laser.
- Ne placez pas votre main ou d'autres objets à proximité des orifices de ventilation — l'air expulsé est brûlant.
- Lorsque le projecteur est monté au plafond, le support de suspension Sony pour projecteur PSS-600 doit être utilisé.
- Veillez à ne pas vous coincer les doigts dans les pieds réglables lorsque vous soulevez le projecteur. Ne poussez pas trop fort sur le dessus du projecteur lorsque les pieds réglables sont saillies.

Eclairage

- Pour obtenir la meilleure qualité d'image possible, l'avant de l'écran ne doit pas être directement exposé à un éclairage direct ou aux rayons du soleil.
- Nous préconisons un éclairage au moyen de spots montés au plafond. Placez un cache sur les lampes fluorescentes pour éviter une altération du niveau de contraste.
- Occultez les fenêtres qui font face à l'écran au moyen de rideaux opaques.
- Il est préférable d'installer le projecteur dans une pièce où le sol et les murs ne réfléchissent pas la lumière. Si le sol et les murs sont revêtus d'un matériau réfléchissant, nous vous conseillons de remplacer le tapis et la tapisserie par des couleurs sombres.

Prévention de la surchauffe interne

Après avoir mis l'appareil hors tension au moyen de la touche I /  de la télécommande ou du panneau de commande, ne débranchez pas l'appareil de la prise secteur pendant que le ventilateur de refroidissement tourne encore.

Attention

Le projecteur est équipé d'orifices de ventilation (prise d'air) en dessous et d'orifices de ventilation (sortie d'air) à l'avant. N'obstruez pas et ne placez rien à proximité de ces orifices car vous risqueriez de provoquer une surchauffe interne pouvant entraîner une altération de l'image ou des dommages au projecteur.

Nettoyage

- Pour conserver au boîtier son éclat neuf, nettoyez-le régulièrement à l'aide d'un chiffon doux. Les taches tenaces s'éliminent en frottant avec un chiffon doux légèrement imprégné d'une solution détergente douce. N'utilisez en aucun cas des solvants puissants tels que du diluant ou du benzène ni de nettoyeurs abrasifs qui risqueraient d'abîmer la finition du boîtier.
- Ne touchez pas l'objectif. Pour éliminer la poussière de l'objectif, utilisez un chiffon doux et sec. N'utilisez pas de chiffon humide, de solution détergente ni de diluant.
- Nettoyez le filtre à intervalles réguliers.

Emballage

- Conservez le carton d'emballage et les matériaux de conditionnement, ils vous serviront à nouveau si vous devez jamais transporter l'appareil. Pour une protection maximum, remballer votre appareil comme il a été emballé à l'origine en usine.

Luminosité élevée, haute qualité d'image

- **Haute luminosité**

Le panneau LCD avec un rapport d'ouverture plus élevé et la lampe UHP 120 W autorisent une plus grande luminosité (rendement lumineux de 1100 ANSI) et une excellente uniformité de l'image.

- **Haute définition**

En utilisant trois panneaux SVGA d'environ 480.000 pixels de 1,3 pouce, ce projecteur offre une définition de 800 × 600 points pour l'entrée RVB et de 600 lignes TV horizontales pour l'entrée vidéo.

Installation simplifiée

- **Fonction APA (Auto Pixel Alignment) d'origine Sony**

Vous pouvez obtenir l'image la plus claire automatiquement en appuyant simplement sur la touche APA lorsque le signal provient d'un ordinateur.

- **Installation simplifiée avec un appareil externe**

Ce projecteur dispose de 38 sortes de données de présélection pour les signaux d'entrée. Vous pouvez obtenir une image adéquate en raccordant un appareil au moyen du câble fourni et en appuyant sur la touche APA.

Présentation

- **Télécommande avec fonction de commande de souris et pointeur laser**

Vous pouvez commander un ordinateur avec la télécommande étant donné que l'appareil dispose d'un récepteur de souris intégré. Pour votre présentation, vous pouvez utiliser le pointeur laser intégré dans la télécommande également.

- **Facilité d'emport**

Ce projecteur ne pèse plus que 5,9 kg (13 lb) pour une hauteur de 12 cm (4 ³/₄ pouces). Cette réduction d'encombrement associée à la poignée de transport et au couvercle avant pour ranger la télécommande facilitent son transport.

Compatible avec différents signaux d'entrée

- **Convertisseur de balayage chargé**

Ce projecteur dispose d'un convertisseur de balayage intégré qui convertit le signal d'entrée en 800×600 points.

- **Signaux d'entrée compatibles**

Ce projecteur accepte les signaux vidéo des signaux composite, S vidéo et composante ainsi que les signaux RVB 15k, VGA¹⁾, SVGA¹⁾ XGA¹⁾ et SXGA¹⁾, qui peuvent tous être affichés.

- **Compatible avec cinq systèmes couleur**

Les systèmes couleur NTSC, PAL, SECAM, NTSC 4.43²⁾ ou PAL-M peuvent être sélectionnés automatiquement ou manuellement.

Remarque à propos du modèle VPL-S900E

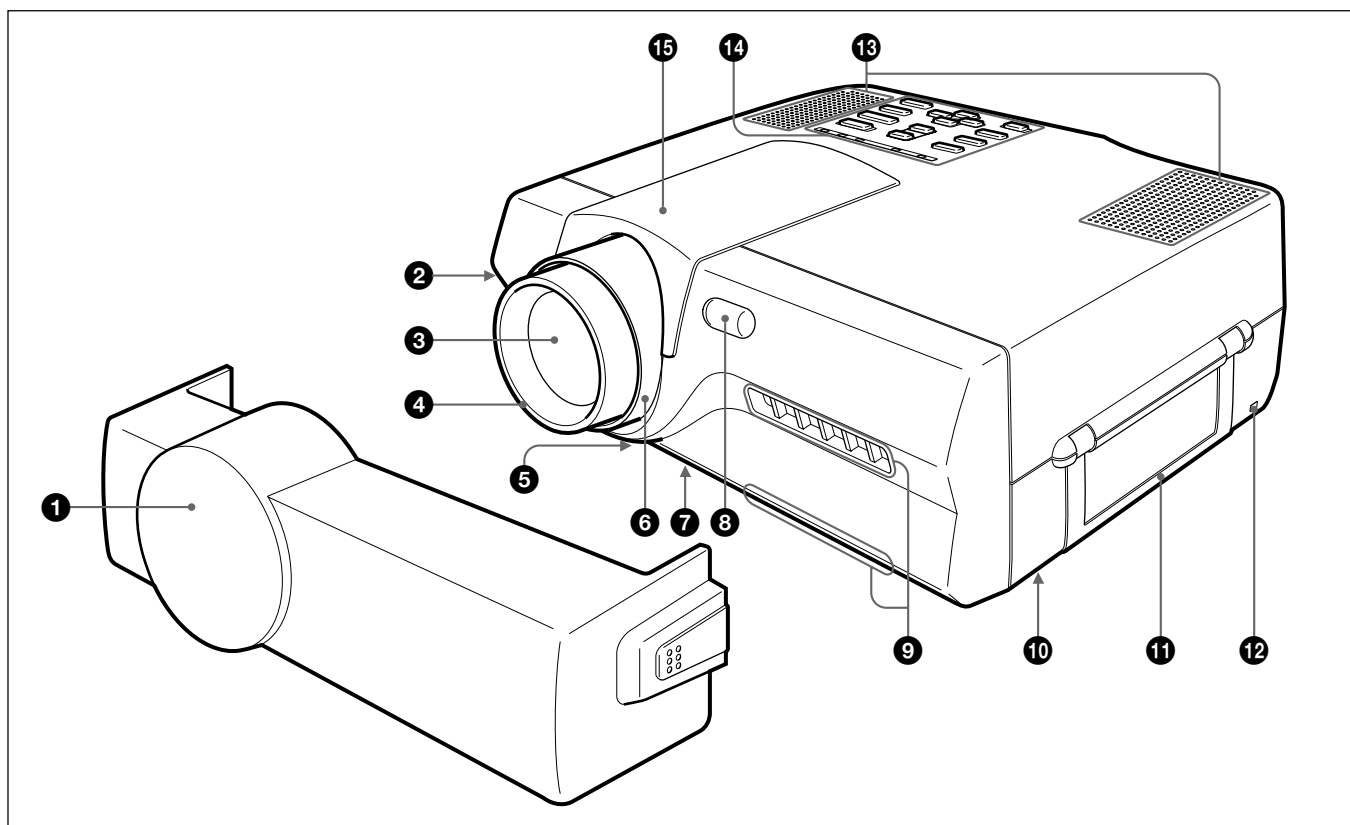
La carte d'interface en option IFB-X600E est nécessaire pour l'entrée vidéo composite.

1) VGA, SVGA, XGA et SXGA sont des marques de commerce déposées de International Business Machines Corporation, U.S.A.

2) NTSC4.43 est le système couleur utilisé lors de la reproduction d'enregistrements vidéo réalisés sur un magnétoscope NTSC ou NTSC4.43.

Emplacement et fonction des commandes

Avant



❶ Couvercle avant

Accueille la télécommande à l'arrière du couvercle avant.

❷ Bouton du pied réglable avant

❸ Objectif

Enlevez le couvercle avant et le bouchon d'objectif avant la projection.

❹ Bague de mise au point

Ajuste la mise au point de l'image.

❺ Orifices de ventilation (en dessous / prise d'air)

❻ Bague de réglage du zoom

Ajuste la taille de l'image.

❼ Pied réglable avant

Sert à maintenir le projecteur à niveau s'il est installé sur une surface inégale.

Pour plus de détails sur l'utilisation des pieds réglables, voir "Utilisation des pieds réglables" à la page 10 (F).

❽ Capteur de télécommande frontal

❾ Orifices de ventilation (sortie d'air)

Remarques

- Ne placez rien à proximité des orifices de ventilation sous peine de provoquer une surchauffe interne.
- Ne placez pas vos mains ou des objets à proximité d'orifices de ventilation — l'air expulsé est brûlant.

❿ Couvercle de la lampe (en dessous)

⓫ Poignée de transport

Sert à transporter le projecteur.

12 Verrouillage de sécurité

Se raccorde à un câble de sécurité en option (Kensington).

La serrure Kensington est conforme au système de sécurité MicroSaver Kensington.

Si vous avez des commentaires, contactez
Kensington
2853 Campus Drive, San Mates, CA 94403
U.S.A.
Tel: 800-535-4242: extension 3348
Site Internet:
<http://www.kensington.com/>

13 Haut-parleurs

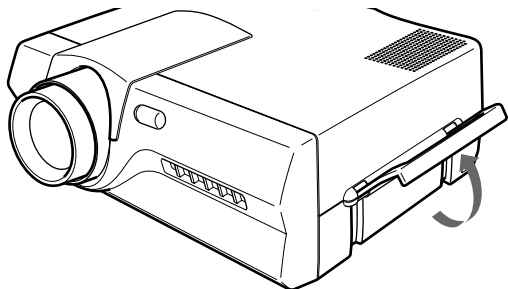
14 Panneau de commande

Pour plus de détails, reportez-vous à "Panneau de commande" à la page 11 (F).

15 Bouchon d'objectif

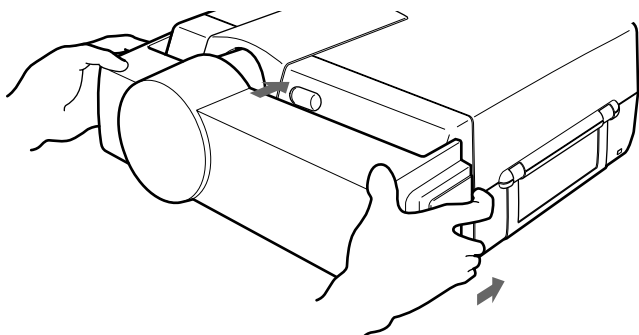
Utilisation de la poignée de transport

Tirez la poignée du projecteur pour le transport.



Fixation du couvercle avant

Fixez le couvercle avant sur l'avant du boîtier en étirant les côtés gauche et droit du couvercle avant.

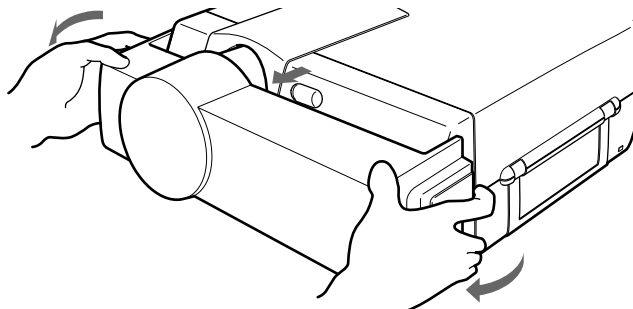


Remarques

- Ne branchez pas et ne mettez pas le projecteur sous tension lorsque le couvercle avant est fixé.
- Ne transportez pas le projecteur en le maintenant par le couvercle avant.

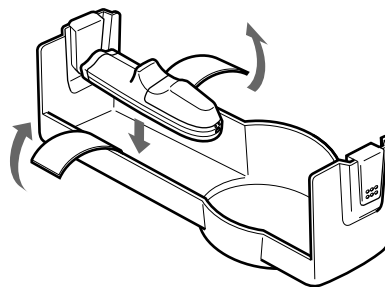
Dépose du couvercle avant

Déposez le couvercle avant de l'avant du boîtier en saisissant par les côtés gauche et droit.



Installation de la télécommande dans le couvercle avant

Installez la télécommande à l'arrière du couvercle avant et fixez-la au moyen des bandes Velcro. Lors du rangement de la télécommande, assurez-vous que l'émetteur infrarouge fait face vers l'extérieur et que l'arrière est orienté vers le haut.



Remarque

Réglez le commutateur COMMAND ON/OFF de la télécommande sur la position OFF avant de procéder à l'installation de la télécommande.

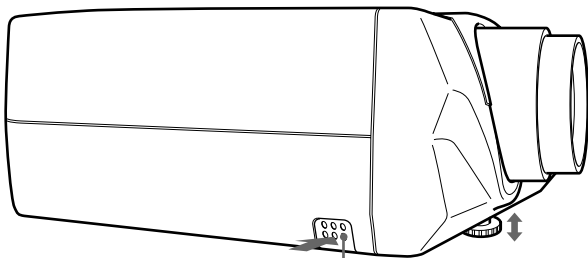
Emplacement et fonction des commandes

Utilisation des pieds réglables

Tout en soulevant le projecteur, réglez la hauteur de sorte que le projecteur soit à niveau.

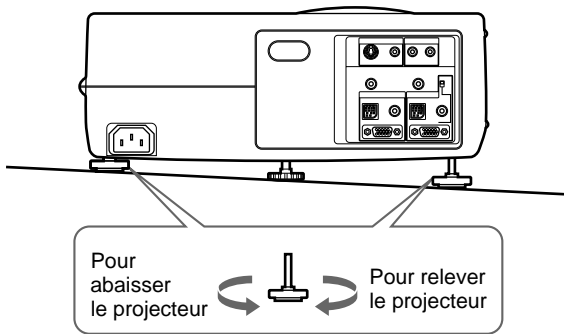
Il y a un pied réglable à l'avant et deux à l'arrière du projecteur.

Comme pour le pied réglable avant, appuyez sur le bouton du pied réglable avant tout en soulevant le projecteur pour régler la hauteur. Tournez le pied réglable pour un réglage fin.



Bouton de pied réglable avant

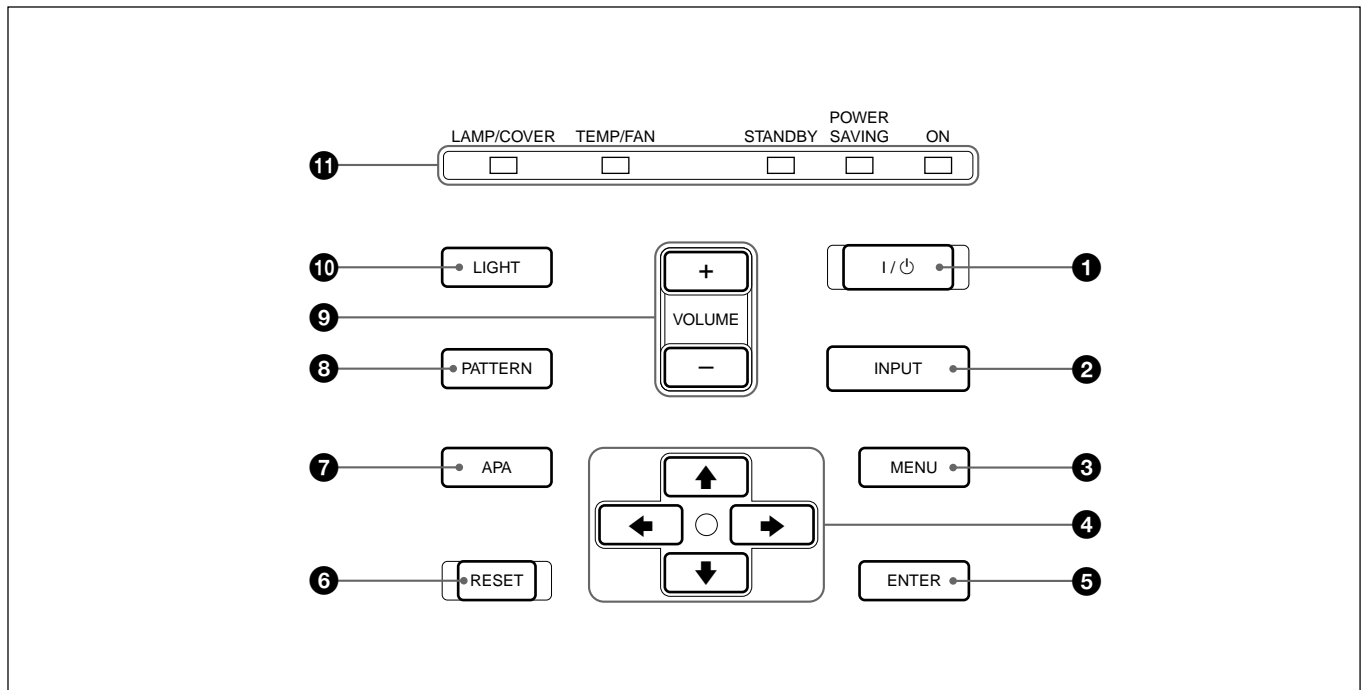
Comme pour les pieds réglables arrière, tournez-les pour le réglage.



Remarques

- Veillez à ne pas laisser tomber le projecteur sur vos doigts.
- Ne poussez pas trop fort sur le dessus du projecteur lorsque les pieds réglables font saillie.
- Ne forcez pas les pieds réglables arrière lorsque vous les tournez. Une force excessive sur les pieds réglables risque de les endommager.

Panneau de commande



1 Touche I / ⏻ (marche/veille)

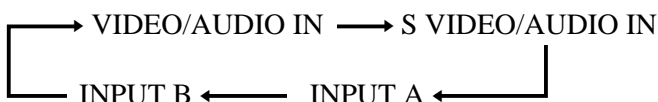
Met le projecteur sous/hors tension lorsque le projecteur est en mode de veille. L'indicateur ON s'allume en vert lorsque l'appareil est sous tension.

Lorsque vous mettez l'appareil hors tension, appuyez deux fois sur la touche I / ⏻ en fonction du message affiché à l'écran ou appuyez sur la touche et maintenez-la enfoncée pendant une seconde.

Pour plus de détails sur les étapes de mise hors tension, reportez-vous à "Pour mettre le projecteur hors tension" à la page 24 (F).

2 Touche INPUT

Sélectionne le signal d'entrée. Chaque fois que vous appuyez sur la touche, le signal d'entrée permute comme suit (Si le sélecteur RGB IN/OUT est réglé sur OUT, vous ne pouvez pas sélectionner INPUT B.):



Remarque à propos du modèle VPL-S900E

La carte d'interface en option IFB-X600E est nécessaire pour les prises VIDEO IN et AUDIO IN.

3 Touche MENU

Permet d'afficher le menu sur écran. Appuyez de nouveau sur cette touche pour supprimer le menu.

4 Touches fléchées (↑/↓/←/→)

Servent à sélectionner le menu ou à effectuer divers réglages.

5 Touche ENTER

Confirme la saisie des réglages de paramètres dans le menu système.

6 Touche RESET

Réinitialise la valeur d'un paramètre à ses valeurs d'usine. Cette touche fonctionne lorsque le menu ou le paramètre de réglage est affiché à l'écran.

7 Touche APA (Auto Pixel Alignment)

Règle une image à projeter de manière automatique lorsqu'un signal d'ordinateur est reçu.

8 Touche PATTERN

Affiche un motif en H à l'écran pour le réglage de la mise au point, du zoom. Appuyez de nouveau sur cette touche pour supprimer le motif.

9 Touches VOLUME +/-

Règle le volume des haut-parleurs intégrés et le niveau de sortie des prises AUDIO OUT.

+ : Augmente le volume.

- : Diminue le volume.

(suite)

⑩ Touche LIGHT

Active le rétro-éclairage (orange) des touches du panneau de commande lorsque l'appareil est sous tension. Appuyez de nouveau sur cette touche pour éteindre le rétro-éclairage.

⑪ Indicateurs

ON: S'allume en vert lorsque l'appareil est sous tension.

Clignote en vert lorsque le ventilateur de refroidissement fonctionne après la mise hors tension à l'aide de la touche | / ⏻. Le ventilateur tourne encore pendant environ 90 secondes après la mise hors tension de l'appareil.

L'indicateur ON clignote rapidement pendant les 30 premières secondes.

Pendant ce laps de temps, vous ne pouvez pas remettre l'appareil sous tension à l'aide de la touche | / ⏻.

POWER SAVING: S'allume lorsque le projecteur est en mode d'économie d'énergie. Lorsque MODE ECO dans le menu REGLAGE est mis sur ON, le projecteur passe en mode d'économie d'énergie si aucun signal n'est reçu pendant 10 minutes. Bien que le témoin s'éteigne, le ventilateur continue de tourner. En mode d'économie d'énergie, aucune touche n'est opérante pendant les 30 premières secondes. Le mode d'économie d'énergie s'annule lorsqu'un signal est reçu ou lorsque vous appuyez sur une touche.

STANDBY: S'allume en rouge lorsque le fil d'alimentation est branché à la prise murale. Une fois en mode de veille, vous pouvez activer le projecteur au moyen de la touche | / ⏻ de la télécommande ou du panneau de commande.

TEMP (température)/FAN: S'allume ou clignote dans les situations suivantes:

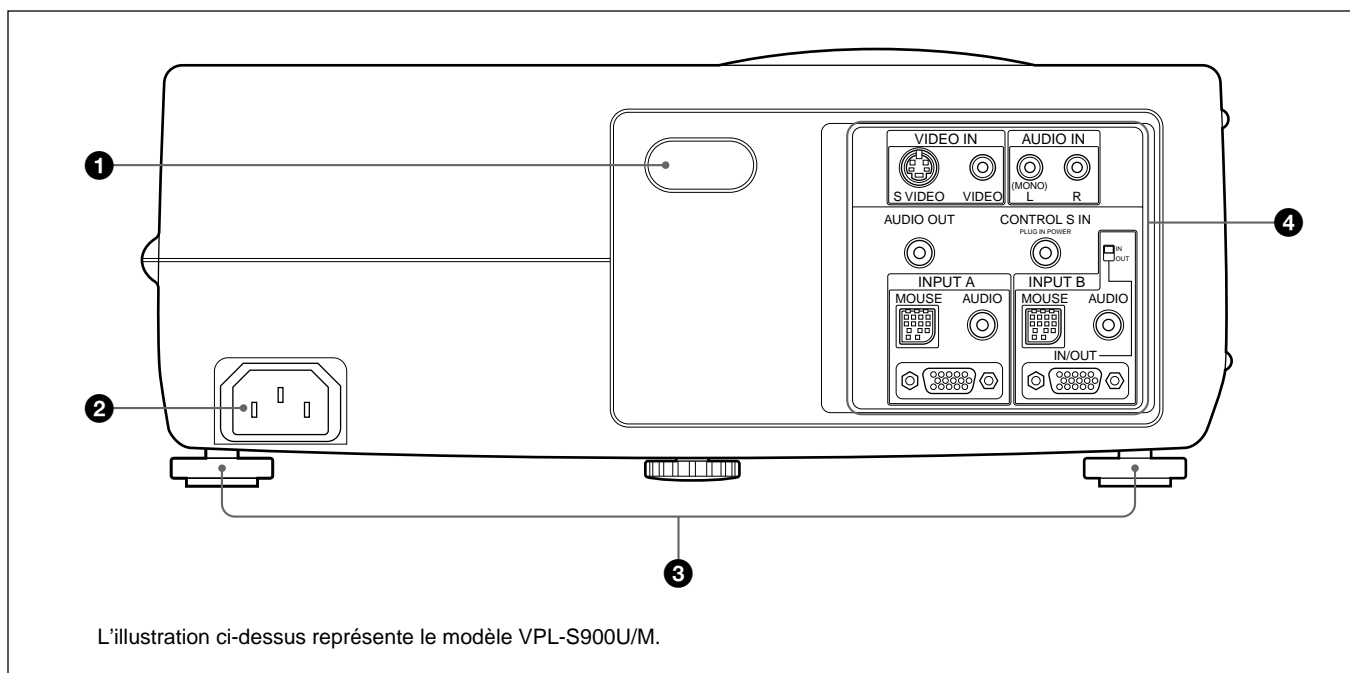
- S'allume lorsque la température à l'intérieur du projecteur devient anormalement élevée.
- Clignote lorsque le ventilateur est défectueux.

LAMP/COVER: S'allume ou clignote dans les situations suivantes:

- S'allume lorsque la lampe a atteint la fin de sa durée de vie.
- Clignote lorsque le couvercle de la lampe ou du filtre à air n'est pas fixé correctement.

Pour plus de détails sur les indicateurs LAMP/COVER et TEMP/FAN, reportez-vous à la page 40 (F).

Arrière



❶ Capteur de télécommande arrière

❷ Prise AC IN

Branchez-y le fil d'alimentation fourni.

❸ Pieds réglables arrière

Servent à maintenir le projecteur à niveau lorsqu'il est installé sur une surface instable.

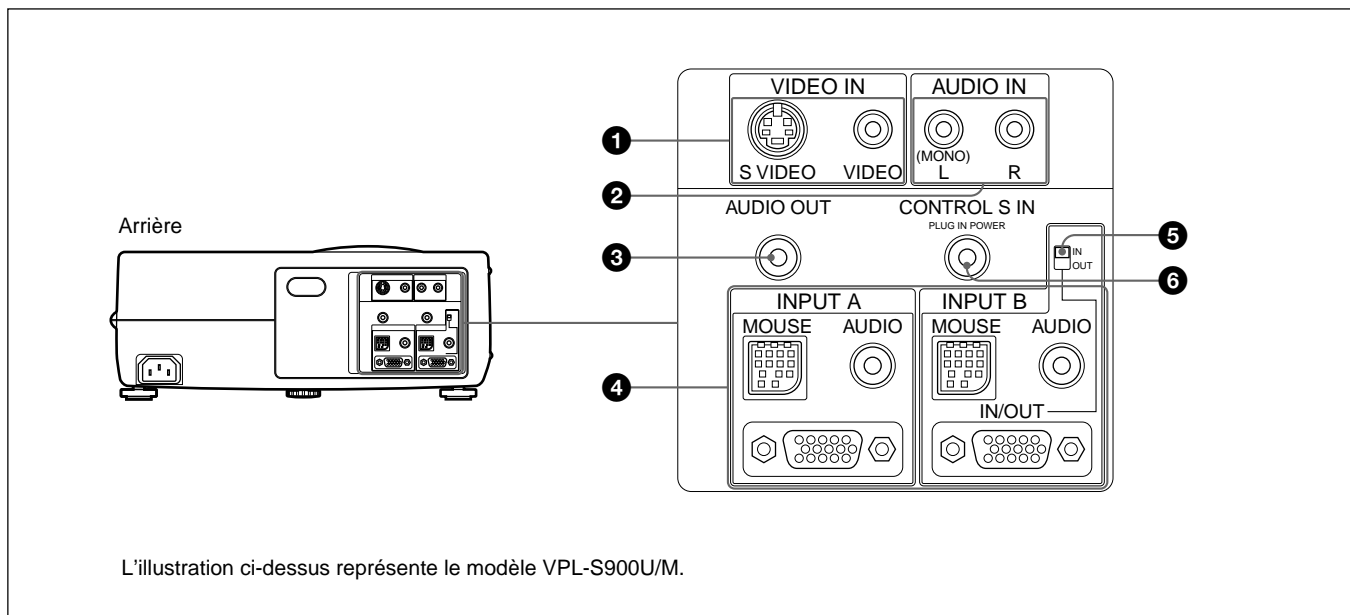
Pour plus de détails sur l'utilisation des pieds réglables, reportez-vous à "Utilisation des pieds réglables" à la page 10 (F).

❹ Panneau de connecteurs

Pour plus de détails, reportez-vous à la page 14 (F).

Emplacement et fonction des commandes

Panneau de connecteurs



❶ Prises VIDEO IN

Raccordez-les à un appareil vidéo externe tel qu'un magnétoscope.

S VIDEO (miniconnecteur DIN à 4 broches):

Raccordez-le à la sortie S vidéo (sortie vidéo Y/C) de l'équipement vidéo.

VIDEO (type phono): Raccordez-le à la sortie vidéo composite de l'équipement vidéo.

❷ Prises AUDIO IN L (MONO)/R (type phono)

Raccordez-les aux prises de sortie audio de l'équipement. Dans le cas d'un appareil stéréo, utilisez à la fois les prises L et R; pour l'équipement monaural, utilisez uniquement la prise L (MONO).

❸ Prise AUDIO OUT (miniprise stéréo)

Raccordez-la aux haut-parleurs actifs externes. Le volume des haut-parleurs peut se commander au moyen des touches VOLUME de la télécommande ou du panneau de commande.

❹ Connecteurs INPUT A/INPUT B

Raccordez-les à l'appareil externe tel qu'un ordinateur. Vous pouvez commander le signal de la souris au moyen de la télécommande.

MOUSE (13 broches): Se raccorde au port souris de l'ordinateur pour commander la fonction de souris à l'aide du câble de souris fourni.

AUDIO (miniprise stéréo): Se raccorde à la sortie audio d'un ordinateur pour recevoir le signal audio.

Entrée RVB (INPUT A)/RGB IN/OUT (INPUT B)

(HD D-sub à 15 broches, femelle): Se raccorde à la sortie moniteur d'un ordinateur à l'aide du câble fourni. Pour entrer un signal composante ou 15k RGB, utilisez le câble en option.

Tout comme pour le connecteur RGB IN/OUT de INPUT B, vous pouvez l'utiliser comme connecteur de sortie avec le sélecteur RGB IN/OUT. Ce connecteur sort le signal entré via le connecteur d'entrée RGB de INPUT A.

❺ Sélecteur RGB IN/OUT

Commute l'entrée/sortie du connecteur RGB IN/OUT de INPUT B.

IN: Sert de connecteur d'entrée.

OUT: Sert de connecteur de sortie. Le connecteur RGB IN/OUT sort le signal entré via le connecteur d'entrée RGB de INPUT A. Le connecteur MOUSE et la prise AUDIO de INPUT B sont inopérants à ce stade.

❻ Prise CONTROL S IN/PLUG IN POWER (sortie en courant continu 5 V, miniprise stéréo)

Se raccorde à la prise CONTROL S OUT de la télécommande fournie au moyen du câble de connexion stéréo (non fourni) lors de son utilisation comme télécommande avec fil. Vous ne devez pas installer les piles étant donné que l'alimentation est fournie par cette prise. Les piles sont nécessaires lorsque vous utilisez la fonction de pointeur laser.

Remarque à propos du modèle VPL-S900E

La carte d'interface IFB-X600E en option est nécessaire pour les prises VIDEO IN ❶ et AUDIO IN ❷.

Télécommande

La télécommande peut être utilisée comme une télécommande sans fil ou avec fil.

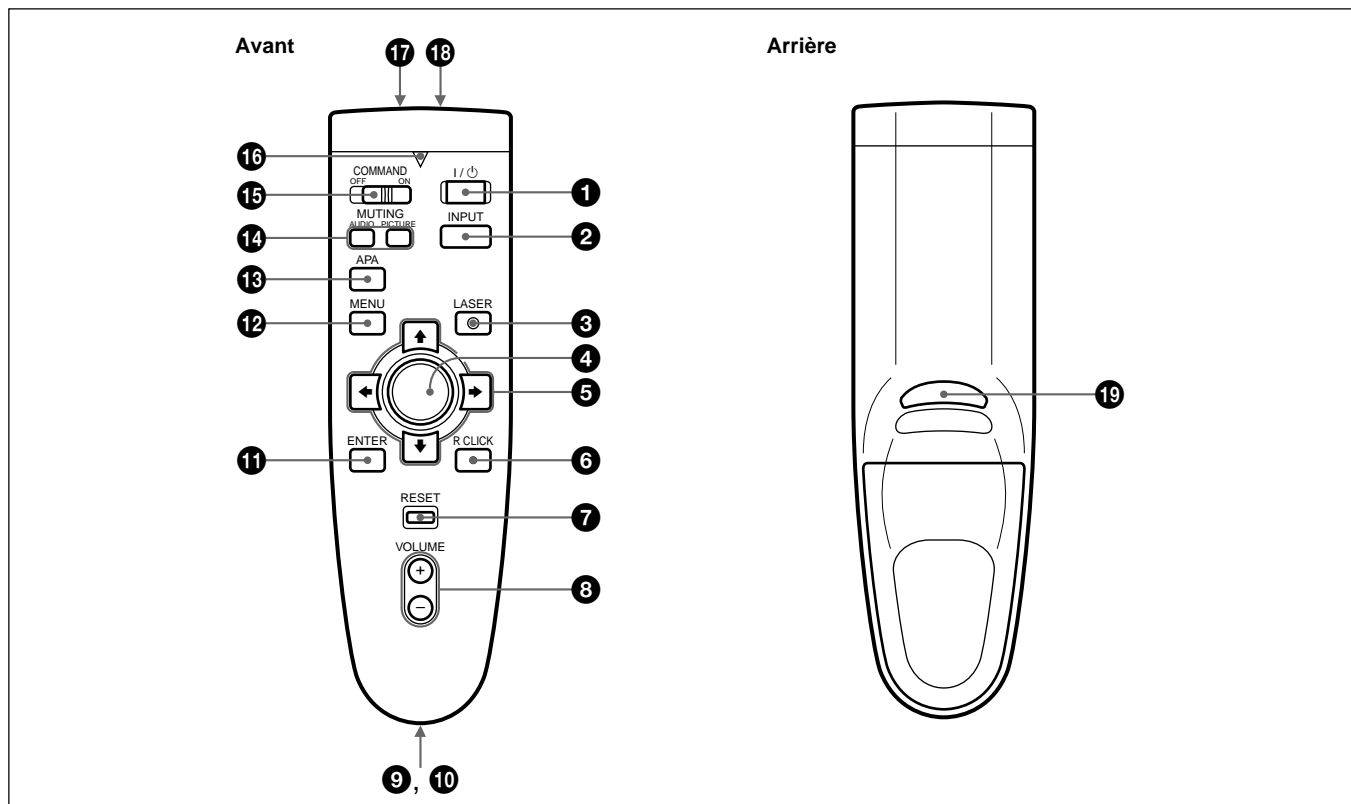
Les touches affichant le même nom que sur le panneau de commande présentent la même fonction.

La télécommande vous permet de commander un ordinateur raccordé.

Pour plus de détails, reportez-vous à “Raccordement à un ordinateur” à la page 18 (F).

Remarques sur le rayon laser

- Ne regardez pas dans l'émetteur laser.
- N'orientez pas le laser vers les gens.



1 Touche I / \odot

2 Touche INPUT

3 Touche LASER

Emet un rayon laser à partir de l'émetteur laser lorsque vous appuyez sur cette touche.

4 Manette de commande

Fonctionne comme la souris d'un ordinateur raccordé à l'appareil.

5 Touches fléchées ($\uparrow/\downarrow/\leftarrow/\rightarrow$)

6 Touche R CLICK

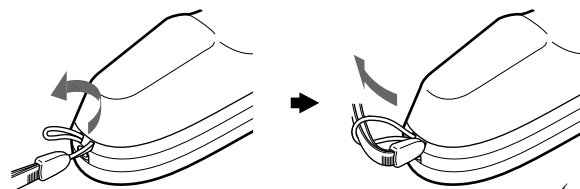
Fonctionne comme le bouton droit de la souris. Lorsque l'appareil est raccordé à un Macintosh¹⁾, la touche R CLICK fonctionne comme un bouton de souris.

7 Touche RESET

8 Touches VOLUME +/-

9 Bandoulière

Se fixe à la bandoulière.



(suite)

1) Macintosh est une marque de commerce déposée de Apple Computer, Inc.

Emplacement et fonction des commandes

10 Prise CONTROL S OUT (miniprise stéréo)

Se raccorde à la prise CONTROL S IN du projecteur au moyen du câble de raccordement (non fourni) lors de l'utilisation de la télécommande comme télécommande avec fil. Dans ce cas, vous ne devez pas installer les piles étant donné que l'alimentation est fournie par la prise CONTROL S IN du projecteur.

11 Touche ENTER

12 Touche MENU

13 Touche APA (Auto Pixel Alignment)

14 Touche MUTING

Coupe l'image et le son.

PICTURE: Coupe l'image. Appuyez de nouveau sur cette touche pour rétablir l'image.

AUDIO: Coupe le son des haut-parleurs et de la prise AUDIO OUT. Appuyez de nouveau sur cette touche ou appuyez sur la touche VOLUME + pour restaurer le son.

15 Commutateur COMMAND ON/OFF

Lorsque le commutateur est sur OFF, aucune touche de la télécommande ne fonctionne. Cela permet d'économiser les piles.

16 Indicateur de transmission

S'allume lorsque vous appuyez sur une touche de la télécommande.

Cet indicateur ne s'allume pas lorsque vous utilisez le pointeur laser.

17 Emetteur infrarouge

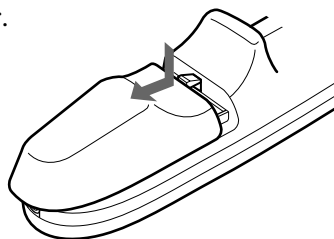
18 Emetteur laser

19 Touche L CLICK

Fonctionne comme le bouton gauche d'une souris. Lorsque l'appareil est raccordé à un Macintosh, la touche L CLICK fonctionne comme bouton de souris.

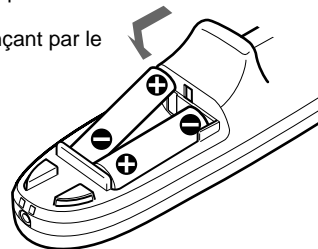
Installation des piles

1 Appuyez sur le couvercle et faites-le glisser pour l'ouvrir.



2 Placez deux piles AA (R6) (fournies) en respectant la polarité.

Veillez à placer les piles en commençant par le côté ⊖.



3 Refermez le couvercle.

Remarques sur les piles

- Veillez à orienter les piles dans le bon sens lorsque vous les placez dans la télécommande.
- N'utilisez pas en même temps des piles neuves et des piles usagées, ni des piles de types différents.
- Si vous prévoyez de ne pas utiliser la télécommande pendant une période prolongée, retirez les piles de façon à éviter tout dommage causé par une fuite des piles. Si une pile fuit, retirez-la, nettoyez le compartiment à piles et remplacez les piles.

Remarques sur l'utilisation de la télécommande sans fil

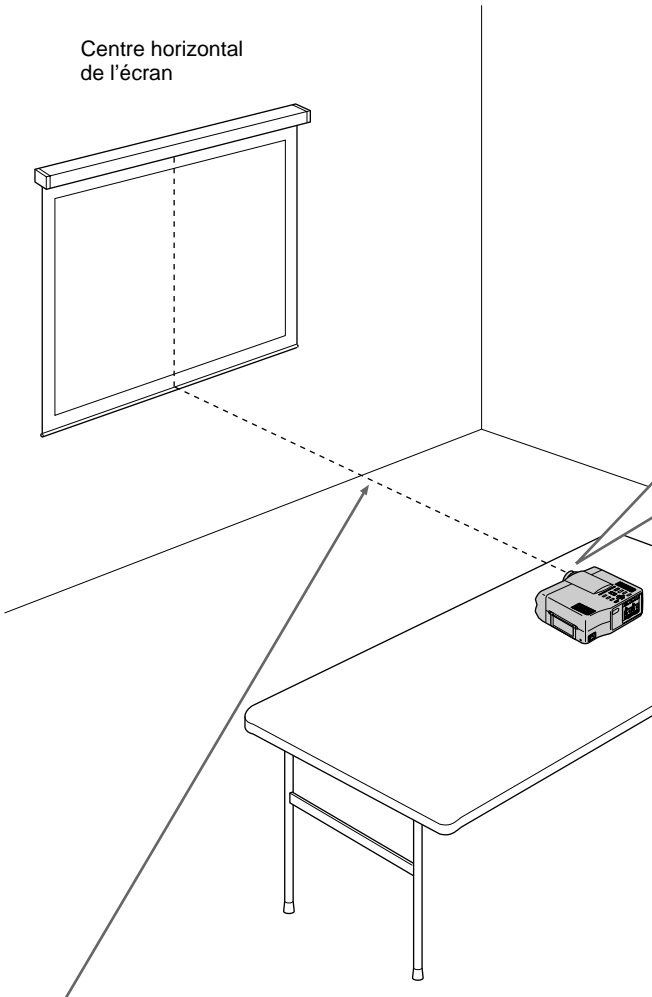
- Veillez à ce qu'aucun obstacle entre la télécommande et le projecteur n'entrave le faisceau infrarouge.
- La portée de la télécommande est limitée. Plus la distance entre la télécommande et le projecteur est courte, plus le champ dans lequel la télécommande peut commander le projecteur est large.
- Les capteurs de la télécommande du projecteur sont inopérants lorsque le câble de raccordement (non fourni) est raccordé au projecteur. Si vous désirez utiliser la télécommande comme une télécommande sans fil, débranchez le câble de raccordement de la télécommande et du projecteur.

Remarque sur l'utilisation de la télécommande avec fil

La fonction du pointeur laser est inopérante lorsque vous utilisez la télécommande comme télécommande avec fil sans piles.

Installation du projecteur

Cette section décrit la procédure d'installation du projecteur sur une table. Pour une installation au plafond, adressez-vous à un personnel Sony qualifié (voir page 35 (F)).



Centre horizontal de l'écran

La distance entre l'objectif et l'écran varie suivant la taille de l'écran. Utilisez le tableau suivant comme guide de référence.

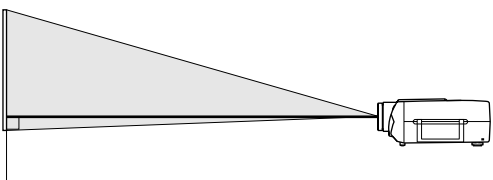
Le tableau suivant présente la distance de projection lorsque le signal SVGA (800 points horizontal. x 600 points vertical.) est entré.

- Lorsque le signal XGA ou SXGA est entré, la distance de projection diminue de 1,6 %.
- Lorsque le mode Macintosh 16 pouces est activé ou qu'un signal HDTV est entré, la distance de projection diminue de 4 %.

Réglez le positionnement vertical et horizontal du projecteur.

Positionnement vertical (vue latérale)

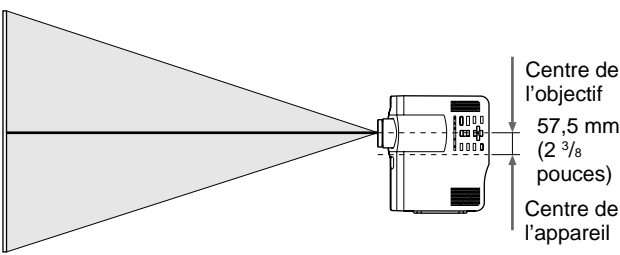
Ecran



Réglez la hauteur du projecteur de façon que le centre de l'objectif soit juste au-dessus du bord inférieur de l'écran.

Positionnement horizontal (vue du dessus)

Ecran



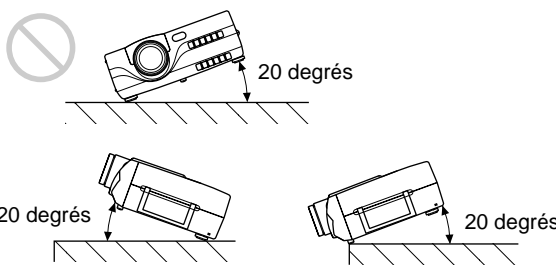
Centre de l'objectif
57,5 mm
(2 ³/₈ pouces)
Centre de l'appareil

Ajustez le positionnement horizontal du projecteur de sorte que l'objectif soit aligné sur le centre horizontal de l'écran.

Remarque

Installez le projecteur à niveau. Evitez les situations suivantes, causes de dysfonctionnement.

- Le projecteur est placé sur son flanc.
- Le projecteur affiche plus de 20 degrés d'inclinaison.



		Unité: m (pied)										
Taille de l'écran (pouces)		40	60	80	100	120	150	180	200	250	300	
Distance	Minimum	1,6 (5,2)	2,4 (7,9)	3,2 (10,6)	4,1 (13,4)	4,9 (16,1)	6,2 (20,2)	7,4 (24,3)	8,2 (27,0)	10,3 (33,9)	12,4 (40,7)	
	Maximum	2,0 (6,6)	3,0 (10,0)	4,1 (13,4)	5,1 (16,8)	6,2 (20,3)	7,8 (25,4)	9,3 (30,5)	10,4 (34,0)	13,0 (42,6)	15,6 (51,1)	

Pour plus de détails sur les mesures d'installation, reportez-vous page 34 (F).

Remarque sur le modèle VPL-S900E

La carte d'interface en option IFB-X600E est nécessaire pour les prises VIDEO IN et AUDIO IN.

Raccordement à un ordinateur

Pour plus de détails sur le raccordement d'un magnétoscope ou d'autres appareils, reportez-vous à la page 20 (F).

Lorsque le projecteur est raccordé à un ordinateur, vous pouvez commander la souris de l'ordinateur au moyen de la télécommande. Les touches R/L CLICK et la manette de commande fonctionnent comme suit.

Remarque

Veillez à ce qu'aucun obstacle n'entrave le rayon infrarouge entre la télécommande et le capteur de télécommande du projecteur.

Touche et manette de commande	Fonction	
	IBM PC/AT ^{a)} compatible, série	Macintosh
R CLICK (avant)	Bouton droit	Bouton de souris
L CLICK (arrière)	Bouton gauche	Bouton de souris
Manette de commande	Correspond aux mouvements de la souris	

a) IBM PC/AT est une marque de commerce déposée de International Business Machines Corporation, U.S.A.

Reportez-vous également au mode d'emploi de l'appareil à raccorder.

Remarques

- Cet appareil accepte les signaux VGA, SVGA, XGA et SXGA. Toutefois, nous vous recommandons de régler le mode de sortie de votre ordinateur en mode SVGA pour le moniteur externe. (Pour un Macintosh, mettez le mode de sortie sur le mode 16 pouces.)
- Si vous réglez votre ordinateur, tel qu'un portable compatible IBM PC/AT, pour sortir le signal à la fois vers l'écran de votre ordinateur et vers le moniteur externe, il se peut que l'image n'apparaisse pas convenablement. Dans ce cas, réglez le mode de sortie de votre ordinateur pour sortir le signal vers le moniteur externe uniquement. *Pour plus de détails, reportez-vous au mode d'emploi de votre ordinateur.*

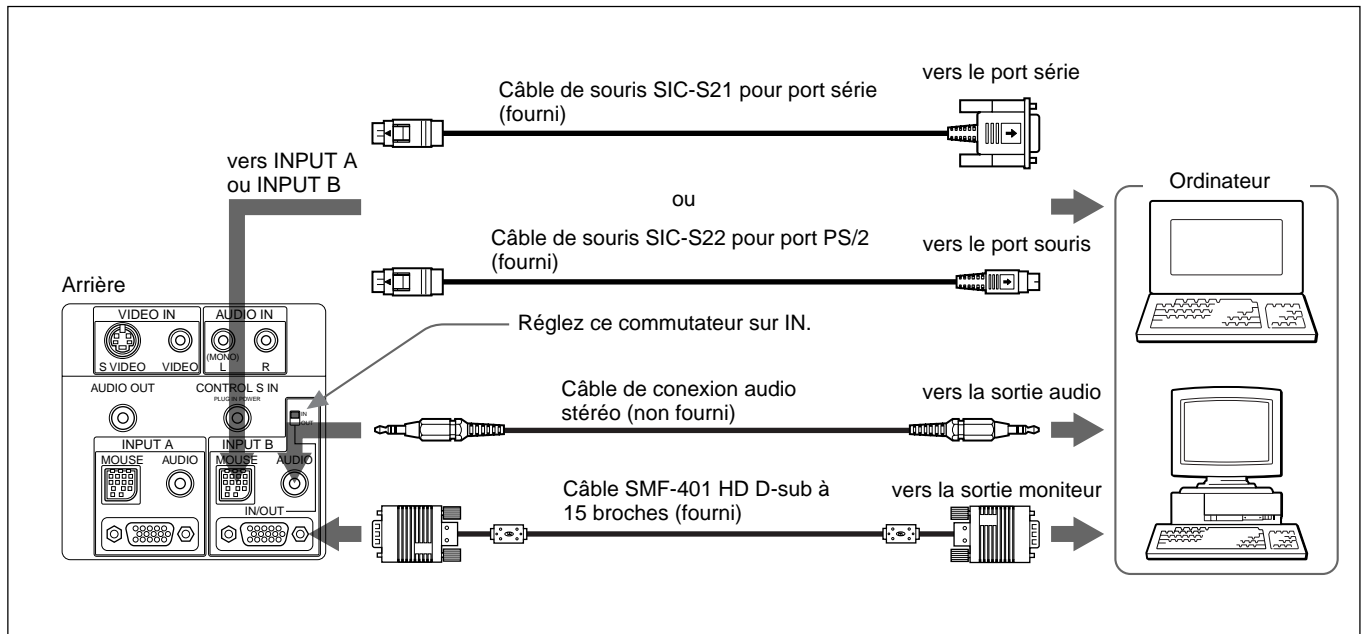
Lors de l'établissement des connexions:

- mettez tous les appareils hors tension avant tout raccordement;
- utilisez les câbles appropriés pour chaque raccordement;
- branchez correctement les fiches des câbles; les fiches incomplètement enfichées génèrent souvent des parasites. Pour débrancher un câble, saisissez-le par la fiche; ne tirez pas sur le câble proprement dit.

Remarques

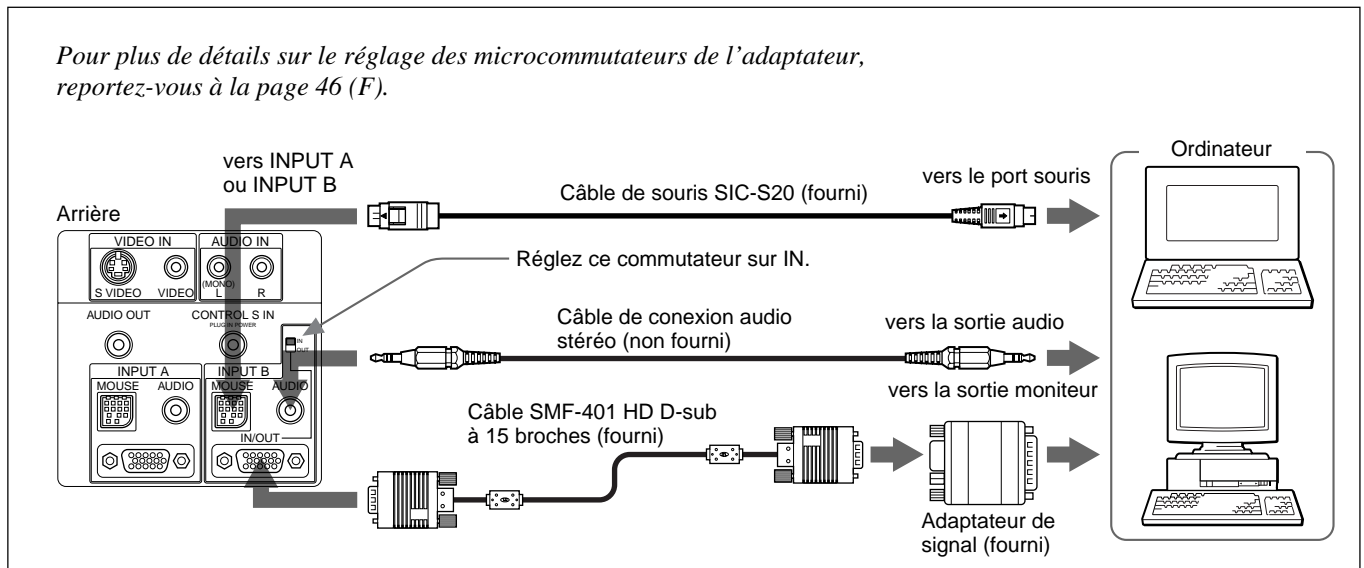
- Branchez tous les câbles de raccordement au connecteur INPUT A lorsque vous entrez un signal à partir du connecteur INPUT A. Branchez tous les câbles au connecteur INPUT B lorsque vous entrez un signal à partir du connecteur INPUT B également.
- Si vous raccordez le connecteur INPUT B, assurez-vous que le sélecteur RGB IN/OUT est réglé sur IN.
- Le câble de souris fourni peut ne pas fonctionner correctement en fonction de votre ordinateur.

Lors du raccordement à un ordinateur compatible IBM PC/AT



Lors du raccordement à un Macintosh

Pour plus de détails sur le réglage des microcommutateurs de l'adaptateur, reportez-vous à la page 46 (F).

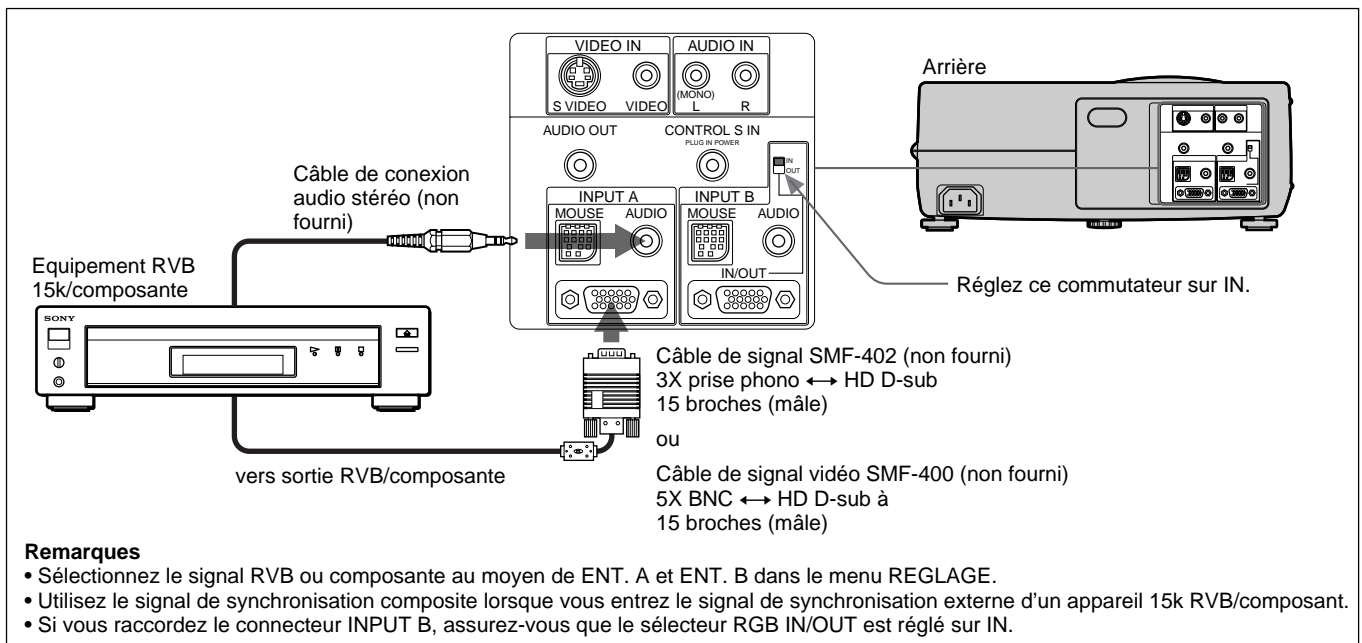
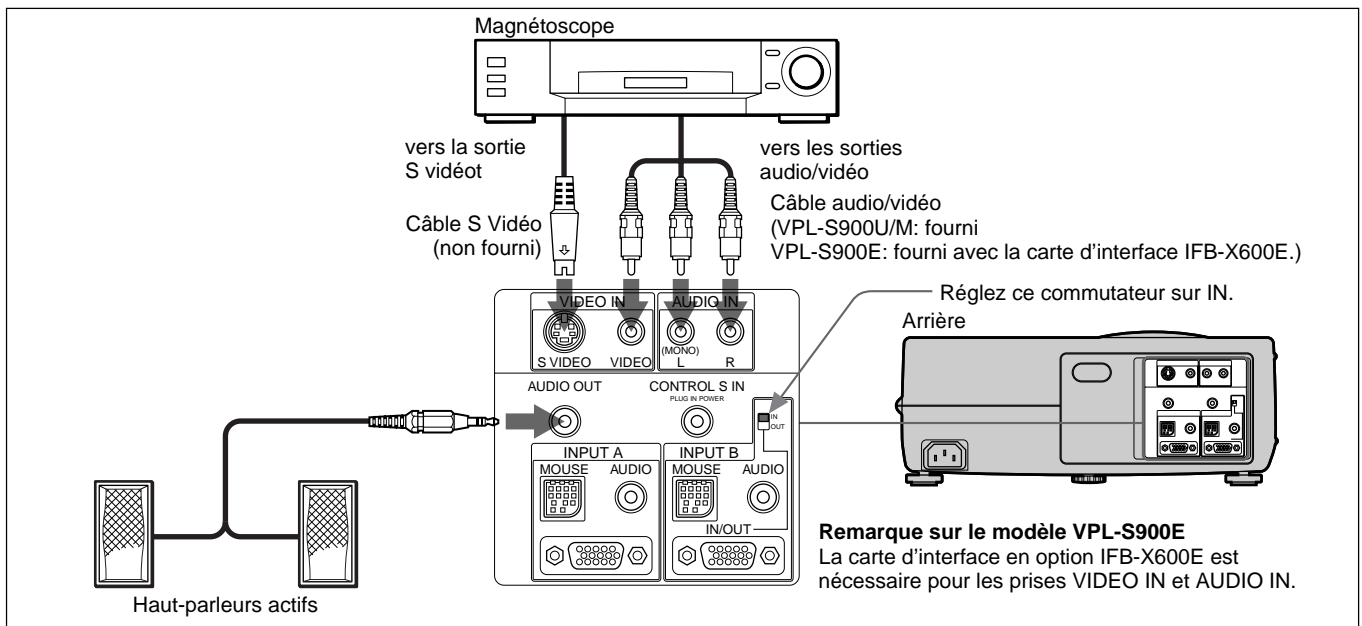


Raccordement à un magnétoscope, appareil 15k RGB/composante

Cette section décrit comment raccorder le projecteur à un magnétoscope, à des haut-parleurs externes actifs et à un appareil 15k RGB/composante. Pour plus de détails sur le raccordement à un ordinateur, voir page 18 (F). Reportez-vous également au mode d'emploi de l'équipement à raccorder.

Lors de l'établissement des connexions:

- mettez tous les appareils hors tension avant tout raccordement;
- utilisez les câbles appropriés pour chaque raccordement;
- branchez correctement les fiches des câbles; les fiches incomplètement enfichées génèrent souvent des parasites. Pour débrancher un câble, saisissez-le par la fiche; ne tirez pas sur le câble proprement dit.

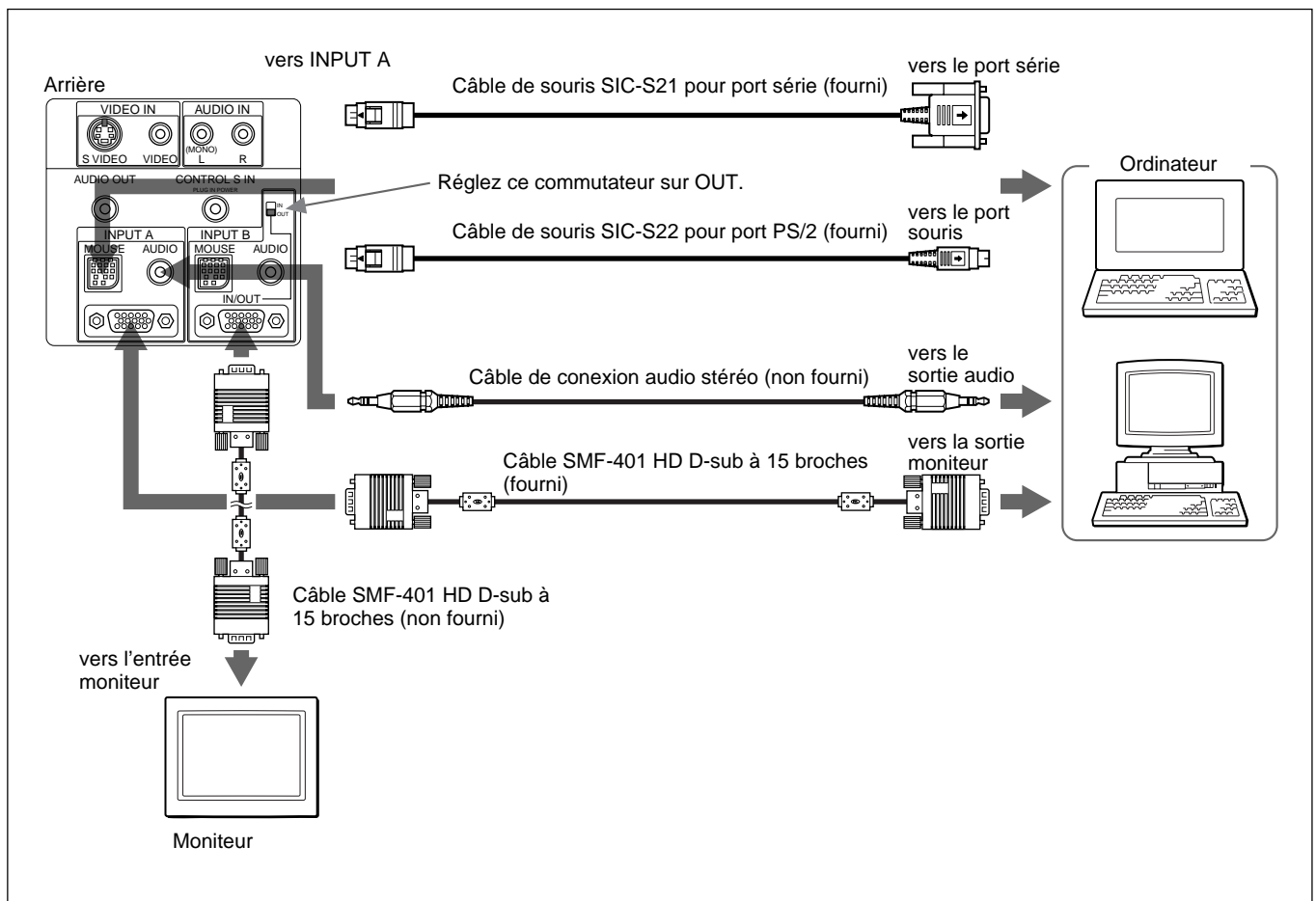


Utilisation du connecteur RGB IN/OUT de INPUT B comme connecteur de sortie moniteur

Cette section décrit les connexions lorsque vous utilisez le connecteur RGB IN/OUT de INPUT B comme connecteur de sortie moniteur.

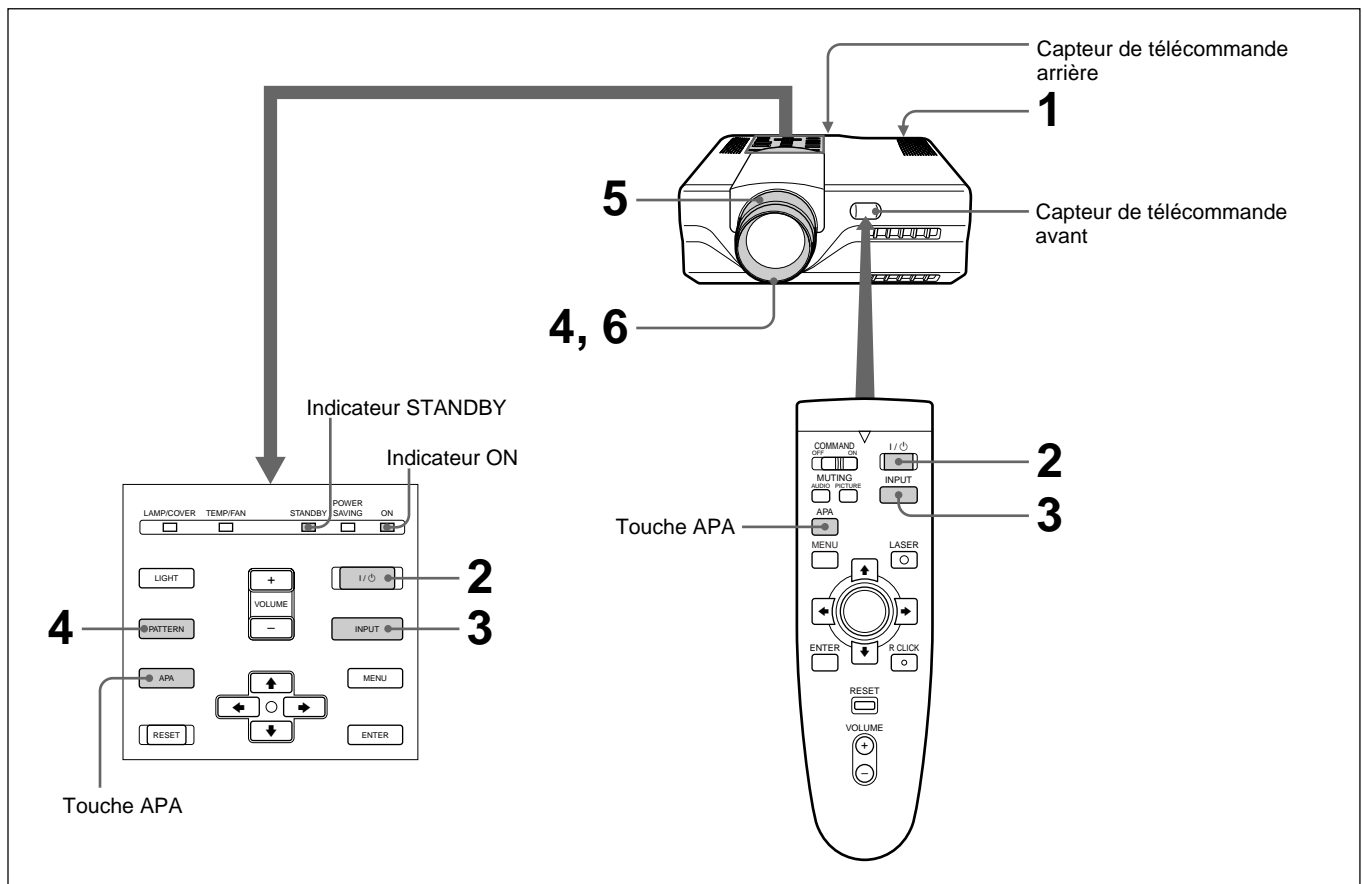
Lors de l'établissement des connexions:

- mettez tous les appareils hors tension avant tout raccordement;
- utilisez les câbles appropriés pour chaque raccordement;
- branchez correctement les fiches des câbles; les fiches incomplètement enfichées génèrent souvent des parasites. Pour débrancher un câble, saisissez-le par la fiche; ne tirez pas sur le câble proprement dit.
- Assurez-vous que le sélecteur RGB IN/OUT est réglé sur OUT.



Remarque

Lorsque le sélecteur RGB IN/OUT est réglé sur OUT, le connecteur MOUSE et la prise AUDIO de INPUT B sont inopérants.



- 1** Après avoir branché tous les appareils correctement, branchez le fil d'alimentation dans la prise secteur.

L'indicateur STANDBY s'allume en rouge et le projecteur passe en mode de veille.
- 2** Appuyez sur la touche I / ⏻ de la télécommande ou du panneau de commande.

L'indicateur ON s'allume en vert.
- 3** Mettez sous tension l'appareil raccordé au projecteur. Appuyez sur la touche INPUT de la télécommande ou du panneau de commande pour sélectionner la source d'entrée.

ENT. A: Sélectionne l'entrée des signaux audio et vidéo du connecteur INPUT A.

ENT. B: Sélectionne l'entrée des signaux audio et vidéo du connecteur INPUT B.

VIDEO: Sélectionne l'entrée des signaux audio et vidéo des prises AUDIO IN/VIDEO (VIDEO IN).

S VIDEO: Sélectionne l'entrée des signaux audio et vidéo des prises AUDIO IN/S VIDEO (VIDEO IN).

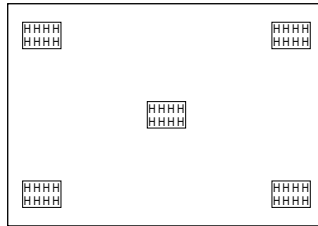
Remarque

Les prises AUDIO IN sont utilisées comme sorties audio pour VIDEO et S VIDEO.

Remarque à propos du modèle VPL-S900E

La carte d'interface en option IFB-X600E est nécessaire pour sélectionner VIDEO.

- 4** Appuyez sur la touche PATTERN du panneau de commande pour afficher le motif en H et réglez la mise au point au moyen de la bague de mise au point.



Appuyez de nouveau sur la touche PATTERN pour faire disparaître le motif.

- 5** Tournez la bague de zoom pour régler la taille de l'image.
- 6** Tournez de nouveau la bague de mise au point pour régler la mise au point.

Remarque

Ne regardez pas dans l'objectif lorsque la lampe du projecteur est allumée.

Pour	Appuyez sur
Régler le volume	les touches VOLUME +/- du panneau de commande ou de la télécommande.
Couper le son	la touche AUDIO MUTING de la télécommande. Restaurer le son, appuyez de nouveau sur la touche AUDIO MUTING ou appuyez sur la touche VOLUME +.
Couper l'image	la touche PICTURE MUTING de la télécommande. Pour restaurer l'image, appuyez de nouveau sur la touche PICTURE MUTING.

Pour obtenir l'image la plus claire

Vous pouvez obtenir une image optimale lorsque le signal d'un ordinateur est transmis.

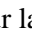
Appuyez sur la touche APA de la télécommande ou du panneau de commande. L'image est automatiquement ajustée pour une projection optimale.

Remarques

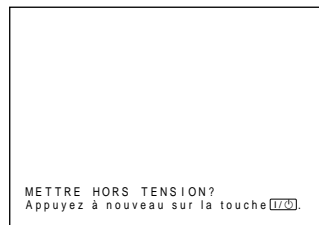
- Ajustez le signal lorsqu'une image fixe est affichée à l'écran.
- Si vous commutez le signal d'entrée ou rebranchez un ordinateur, appuyez de nouveau sur la touche APA pour obtenir l'image adéquate.
- L'indication "REGLAGE" apparaît à l'écran. Appuyez de nouveau sur la touche APA pendant le réglage pour restaurer l'écran d'origine.
- L'indication "Effectué !" apparaît à l'écran lorsque l'image est réglée correctement. L'image peut ne pas être réglée correctement en fonction des types de signaux d'entrée.
- Réglez PHASE dans le menu REGL ENTREE lorsque vous réglez l'image manuellement.

Pour plus de détails sur la PHASE, reportez-vous à la page 29 (F).

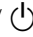
Pour mettre le projecteur hors tension


- 1** Appuyez sur la touche I /  de la télécommande ou du panneau de commande.

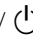
Le message suivant apparaît pour vous demander la confirmation de la mise hors tension.



Remarque

Le message disparaîtra si vous appuyez sur une touche autre que I /  ou si vous n'appuyez sur aucune touche pendant cinq secondes.

- 2** Appuyez de nouveau sur la touche I /  de la télécommande ou du panneau de commande.

L'indicateur ON clignote en vert et le ventilateur continue à tourner pendant environ 90 secondes pour réduire la chaleur interne. De même, l'indicateur ON clignote rapidement pendant les 30 premières secondes. Pendant ce temps, vous ne serez pas en mesure de remettre le projecteur sous tension au moyen de la touche I / .

-
- 3** Débranchez le fil d'alimentation de la prise murale après que le ventilateur s'est arrêté de tourner et que l'indicateur STANDBY s'est allumé en rouge.

Si vous ne pouvez pas confirmer le message sur écran

Si vous ne pouvez pas confirmer le message sur écran dans certaines conditions, vous pouvez mettre l'appareil hors tension en maintenant enfoncée la touche I / ⏻ de la télécommande ou du panneau de commande pendant environ une seconde.

Remarque

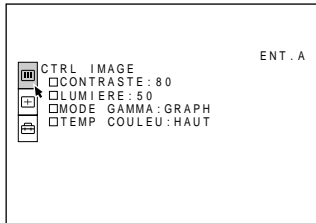
Ne débranchez pas le fil d'alimentation pendant que le ventilateur tourne, sinon le ventilateur s'arrêtera même si la température à l'intérieur du projecteur est toujours élevée, ce qui peut provoquer une panne du projecteur.

Utilisation du MENU

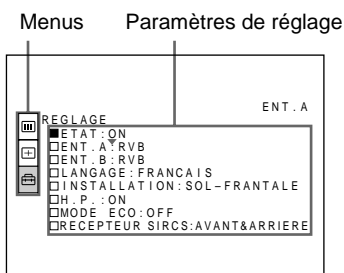
Le projecteur est équipé d'un menu sur écran permettant d'effectuer divers réglages.

Pour sélectionner la langue d'affichage du menu, reportez-vous à la page 33 (F).

- 1 Appuyez sur la touche MENU.
L'écran de menu apparaît.
Le menu actuellement sélectionné est mis en évidence en bleu.



- 2 Utilisez la touche ↑ ou ↓ pour sélectionner un menu, puis appuyez sur la touche → ou ENTER.
Le menu sélectionné apparaît.



- 3 Procédez au réglage ou à l'ajustement d'un paramètre.
Pour plus de détails sur le réglage des différents paramètres, reportez-vous aux pages de menu correspondantes.

Pour désactiver l'écran de menu

Appuyez sur la touche MENU.
L'écran de menu disparaît automatiquement si aucune touche n'est enfoncée pendant une minute.

Pour restaurer des paramètres modifiés

Appuyez sur la touche RESET.
Le message "Effectué !" apparaît à l'écran et les réglages affichés à l'écran sont ramenés à leur valeur par défaut.

Les paramètres pouvant être réinitialisés sont :

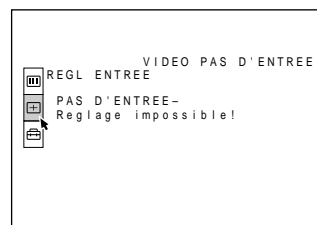
- "CONTRASTE", "LUMIERE", "COULEUR", "TEINTE" et "NETTETE" dans le menu CTRL IMAGE
- "PHASE", "AMPL" et "DEPL" dans le menu REGL ENTREE.

A propos de la mémoire des réglages

Les réglages sont automatiquement enregistrés dans la mémoire du projecteur.

En cas d'absence de signal d'entrée

Lorsqu'il n'y a pas de signal d'entrée, "PAS D'ENTREE Reglage impossible!" apparaît à l'écran et aucun paramètre ne peut être ajusté.

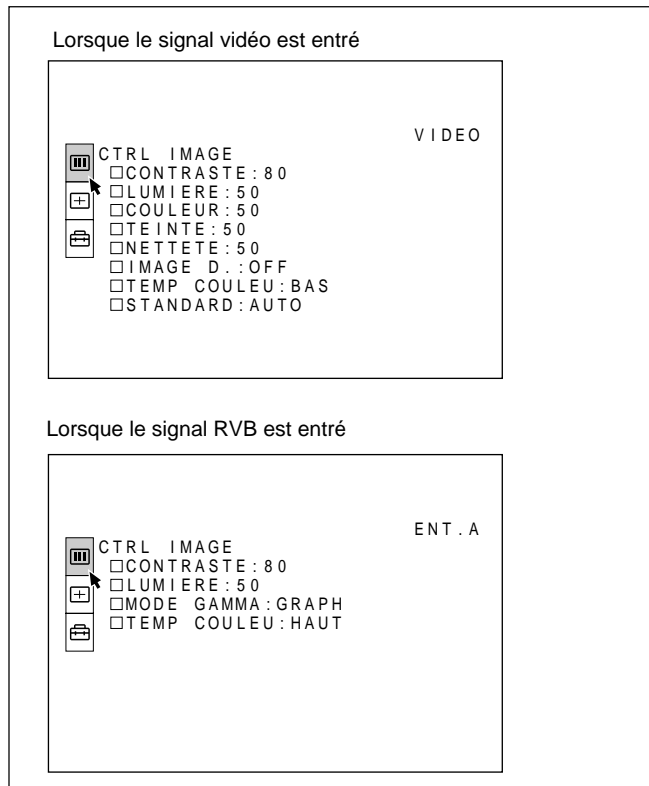


Le menu CTRL IMAGE

Le menu CTRL IMAGE sert à ajuster l'image.
Les paramètres non réglables dépendant du signal d'entrée ne sont pas affichés dans le menu.

Remarque sur le modèle VPL-S900E

La carte d'interface en option IFB-X600E est nécessaire pour l'entrée du signal vidéo. Si vous n'installez pas la carte vidéo sur l'appareil, le signal vidéo ne peut être sélectionné.



Procédure

1. Sélectionnez un paramètre

Utilisez la touche **↑** ou **↓** pour sélectionner le paramètre, puis appuyez sur la touche **→** ou **ENTER**.

2. Réglez le paramètre

- Pour changer le niveau de réglage:
 - Pour augmenter la valeur, appuyez sur la touche **↑** ou **→**.
 - Pour diminuer la valeur, appuyez sur la touche **↓** ou **←**.
- Appuyez sur la touche **ENTER** pour restaurer l'écran d'origine.
- Pour changer le réglage:
 - Appuyez sur la touche **↑** ou **↓** pour modifier le réglage.
 - Appuyez sur la touche **ENTER** ou **←** pour restaurer l'écran d'origine.

CONTRASTE

Réglage du contraste de l'image.



Plus la valeur de réglage est élevée, plus le contraste est important.
Plus la valeur de réglage est faible, moins le contraste est important.

LUMIERE

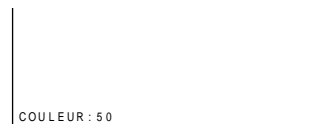
Réglage de la luminosité de l'image.



Plus la valeur de réglage est élevée, plus l'image est lumineuse.
Plus la valeur de réglage est faible, plus l'image est sombre.

COULEUR

Réglage de l'intensité des couleurs.



Plus la valeur de réglage est élevée, plus l'intensité est forte.
Plus la valeur de réglage est faible, moins les couleurs sont intenses.

TEINTE

Réglage de la carnation.



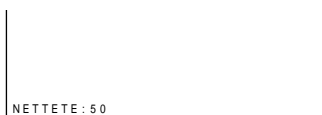
Plus la valeur de réglage est élevée, plus l'image devient verdâtre.
Plus la valeur de réglage est faible, plus l'image devient purpurine.

(suite)

Le menu CTRL IMAGE

NETTETE

Réglage de la netteté de l'image.

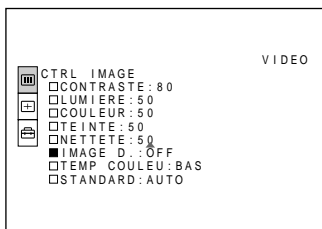


Plus la valeur de réglage est élevée, plus l'image est nette.

Plus la valeur de réglage est faible, moins les contours de l'image sont nets.

IMAGE D. (dynamique)

Renforcement du noir.

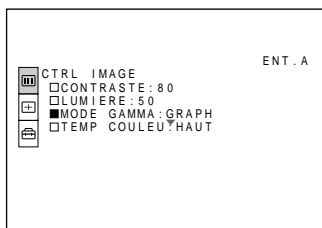


ON: Renforce le noir pour produire une image plus "dynamique".

OFF: Restitue fidèlement les zones noires de l'image conformément au signal source.

MODE GAMMA

Sélectionne une courbe de correction gamma.

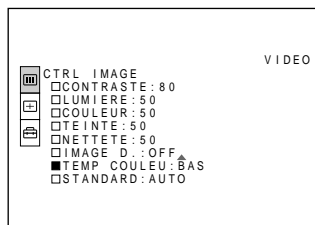


GRAPH: Améliore la reproduction des demi-teintes. Les photos peuvent être reproduites avec des teintes naturelles.

TEXTE: Contraste le noir et le blanc. Convient aux images comportant beaucoup de texte.

TEMP COULEU

Réglage de la température des couleurs.

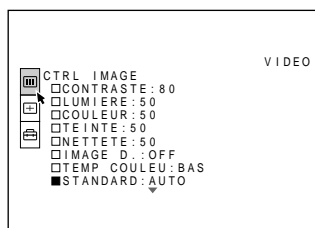


HAUT: Rend les couleurs blanches plus bleuâtres.

BAS.: Rend les couleurs blanches plus rougeâtres.

STANDARD (système couleur)

Sélectionne le système couleur du signal d'entrée.



En principe, réglez-le sur AUTO.

Si l'image présente des distorsions ou n'a pas de couleurs, sélectionnez le système de couleur en fonction du signal d'entrée.

Signaux d'entrée et paramètres de réglage

Paramètre	Signal d'entrée			
	Vidéo ou S vidéo (Y/C)	15k RVB composante	RVB	B&W
CONTRASTE	●	●	●	●
LUMIERE	●	●	●	●
COULEUR	●	●	–	–
TEINTE	● (NTSC3.58/4.43 uniquement)	–	–	–
NETTETE	●	●	–	●
IMAGE D.	●	●	–	●
MODE GAMMA	–	–	●	–
TEMP COULEU	●	●	●	●
STANDARD	●	–	–	●

● : Ajustable/peut se régler

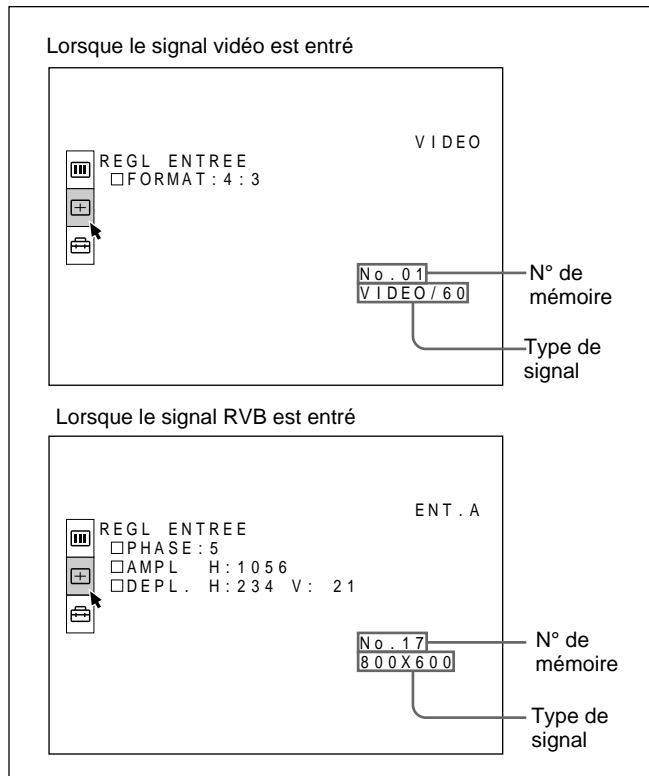
– : Non ajustable/ne peut se régler

Le menu REGL ENTREE

Le menu REGL ENTREE sert à régler le signal d'entrée. Les paramètres non ajustables dépendant du signal d'entrée ne sont pas affichés dans le menu.

Remarque à propos du modèle VPL-S900E

La carte d'interface en option IFB-X600E est nécessaire pour l'entrée du signal vidéo. Si vous n'installez pas la carte vidéo sur l'appareil, le signal vidéo ne peut être sélectionné.



Procédure

1. Sélectionnez un paramètre

Utilisez la touche \uparrow ou \downarrow pour sélectionner le paramètre, puis appuyez sur la touche \rightarrow ou ENTER.

2. Réglez le paramètre

- Pour changer le niveau de réglage:
Pour augmenter la valeur, appuyez sur la touche \uparrow ou \rightarrow .
Pour diminuer la valeur, appuyez sur la touche \downarrow ou \leftarrow .
Appuyez sur la touche ENTER pour restaurer l'écran d'origine.
- Pour changer le réglage:
Appuyez sur la touche \uparrow ou \downarrow pour modifier le réglage.
Appuyez sur la touche ENTER ou \leftarrow pour restaurer l'écran d'origine.

Remarque

Lorsque le signal HDTV est entré, les paramètres du menu REGL ENTREE ne peuvent pas être ajustés.

PHASE

Réglage de la phase de point du panneau LCD et de l'entrée du signal des connecteurs INPUT A/B. Ajuste davantage l'image pour une image plus fine après que l'image a été ajustée en appuyant sur la touche APA. Ajuste l'image pour qu'elle apparaisse plus claire.



AMPL (dimension horizontale)

Réglage de la dimension horizontale des images entrées via les connecteurs INPUT A/B.



Plus la valeur de réglage est élevée, plus la dimension horizontale de l'image est grande.
Plus la valeur de réglage est faible, moins la dimension horizontale de l'image est importante. Réglez le paramètre en fonction des points du signal d'entrée. Pour plus de détails sur la valeur adéquate pour les signaux présélectionnés, reportez-vous à la page 31 (F).

DEPL. (déplacement)

Réglage de la position de l'image entrée par les connecteurs INPUT A/B.



H règle la position horizontale de l'image.
V règle la position verticale de l'image.
Plus la valeur de réglage de H augmente, plus l'image se déplace vers la droite et plus elle diminue, plus l'image se déplace vers la gauche.
Plus la valeur de réglage de V est élevée, plus l'image se déplace vers le haut et plus elle est faible, plus l'image se déplace vers le bas.
Utilisez la touche \leftarrow ou \rightarrow pour régler la position horizontale et la touche \uparrow et \downarrow pour la position verticale.

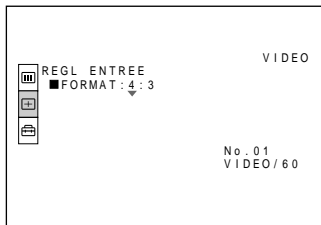
(suite)

Le menu REGL ENTREE

FORMAT

Définit le format de l'image.

Lors de l'entrée d'un signal 16:9 (comprimé) à partir d'un appareil tel qu'un lecteur DVD, choisissez 16:9.

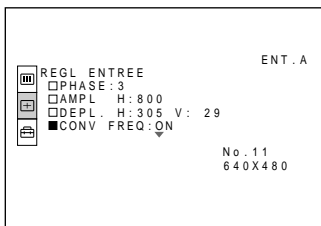


4:3: Lorsqu'une image au rapport d'écran 4:3 est entrée.

16:9: Lorsqu'une image au rapport d'écran 16:9 (comprimé) est entrée.

CONV FREQ (convertisseur de balayage)

Convertit le signal pour afficher l'image en fonction de la taille de l'écran.



ON: Affiche l'image en fonction de la taille de l'écran. L'image perd cependant un peu de clarté.

OFF: Affiche l'image en faisant correspondre un pixel d'élément d'image entré à un pixel de l'écran LCD. L'image affichée est claire, mais d'une taille inférieure.

Remarque

Lorsqu'un signal SVGA, XGA ou SXGA est entré, ce paramètre n'est pas affiché.

Signaux d'entrée et paramètres réglables

Paramètre	Signal d'entrée			
	Vidéo ou S vidéo (Y/C)	15k RVB composante	RVB	B&W
PHASE	–	–	●	–
AMPL	–	–	●	–
DEPL.	–	–	●	–
FORMAT	●	●	–	●
CONV EREQ	–	–	●	–

● : Ajustable/peut se régler

– : Non ajustable/ne peut pas se régler

A propos du n° de mémoire présélectionné

ICe projecteur possède 38 sortes de données de présélection pour les signaux d'entrée de chaque INPUT A/B (la mémoire de présélection). Le numéro de mémoire du signal d'entrée actuel et le type de signal sont affichés lorsque le signal de présélection est entré. Ce projecteur détecte automatiquement le type de signal. Lorsque le signal est enregistré dans la mémoire de présélection, une image adéquate s'affiche à l'écran en fonction du type de signal. Vous pouvez ajuster l'image via le menu REGL ENTREE.

Ce projecteur dispose également de 20 sortes de mémoires utilisateur pour chaque INPUT A/B. Lorsqu'un signal non présélectionné est entré pour la première fois, le numéro de mémoire s'affiche comme étant 00. Si le signal d'entrée est ajusté dans le menu REGL ENTREE, le signal entré via ENTREE A est conservé sous un numéro de mémoire compris entre 51 et 70 et le signal entré via ENTREE B sous un numéro entre 71 et 90. Lorsque plus de 20 mémoires utilisateur sont enregistrées pour chaque INPUT A/B, la mémoire la plus récente remplace automatiquement la plus ancienne.

Signaux présélectionnés

N° de mémoire	Signal de présélection	fH (kHz)	fV (Hz)	Sync	AMPL
1	Vidéo 60 Hz	15,734	59,940	H-neg V-neg	
2	Vidéo 50 Hz	15,625	50,000	H-neg V-neg	
3	RVB 15k/Composante 60 Hz	15,734	59,940	H-neg V-neg	
4	RVB 15k/Composante 50 Hz	15,625	50,000	H-neg V-neg	
6	640 × 350 VGA mode 1	31,469	70,086	H-pos V-neg	800
7	VGA VESA ^{a)} 85 Hz	37,861	85,080	H-pos V-neg	832
8	640 × 400 PC-9801 ^{b)} Normal	24,823	56,416	H-neg V-neg	848
9	VGA-Modus 2	31,469	70,086	H-neg V-pos	800
10	VGA VESA 85 Hz	37,861	85,080	H-neg V-pos	832
11	640 × 480 VGA mode 3	31,469	59,940	H-neg V-neg	800
12	Macintosh, 13"	35,000	66,667	H-neg V-neg	864
13	VGA VESA 72 Hz	37,861	72,809	H-neg V-neg	832
14	VGA VESA 75 Hz	37,500	75,000	H-neg V-neg	840
15	VGA VESA 85 Hz	43,269	85,008	H-neg V-neg	832
16	800 × 600 SVGA VESA 56 Hz	35,156	56,250	H-pos V-pos	1024
17	SVGA VESA 60 Hz	37,879	60,317	H-pos V-pos	1056
18	SVGA VESA 72 Hz	48,077	72,188	H-pos V-pos	1040
19	SVGA VESA 75 Hz	46,875	75,000	H-pos V-pos	1056
20	SVGA VESA 85 Hz	53,674	85,061	H-pos V-pos	1048
21	832 × 624 Macintosh, 16"	49,724	74,550	H-neg V-neg	1152
22	1024 × 768 XGA VESA 43 Hz	35,522	43,479	H-pos V-pos	1264
23	XGA VESA 60 Hz	48,363	60,004	H-neg V-neg	1344
24	XGA VESA 70 Hz	56,476	70,069	H-neg V-neg	1328
25	XGA VESA 75 Hz	60,023	75,029	H-pos V-pos	1312
26	XGA VESA 85 Hz	68,677	84,997	H-pos V-pos	1376
27	1152 × 864 SXGA VESA 70 Hz	63,995	70,016	H-pos V-pos	1472
28	SXGA VESA 75 Hz	67,500	75,000	H-pos V-pos	1600
29	SXGA VESA 85 Hz	77,487	85,057	H-pos V-pos	1568
30	1152 × 900 Sunmicro LO	61,795	65,960	H-neg V-neg	1504
31	Sunmicro HI	71,713	76,047	H-neg V-neg	1472
32	1280 × 960 SXGA VESA 60 Hz	60,000	60,000	H-pos V-pos	1800
33	SXGA VESA 75 Hz	75,000	75,000	H-pos V-pos	1728
34	1280 × 1024 SXGA VESA 43 Hz	46,433	43,436	H-pos V-pos	1696
35	SXI-5	53,316	50,062	Sync sur V	1680
36	SXGA VESA 60 Hz	63,974	60,013	H-pos V-pos	1696
37	SXGA VESA 75 Hz	79,976	75,025	H-pos V-pos	1688
38	SXGA VESA 85 Hz	91,146	85,024	H-pos V-pos	1012

- a) VESA est une marque de commerce déposée de Video Electronics Standard Association.
b) PC-98 est une marque de commerce déposée de NEC Corporation.

Comme les données sont rappelées de la mémoire de présélection pour les signaux suivants, vous pouvez utiliser ces données présélectionnées en ajustant AMPL. Effectuez le réglage fin par la modification de DEPL.

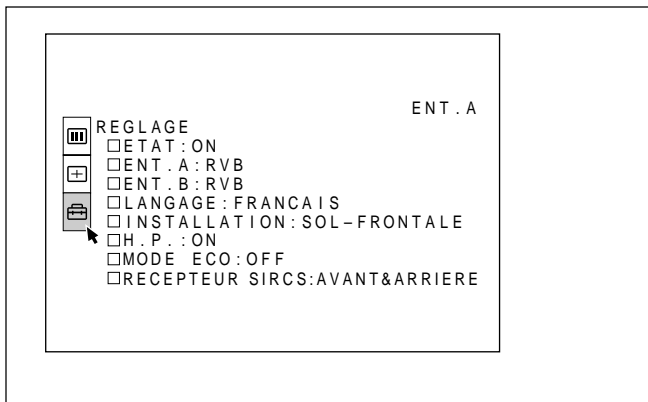
Signal	N° de mémoire	AMPL
Super Mac-2	23	1312
SXI-1	23	1320
Macintosh 19"	25	1328
Macintosh 21"	28	1456
Sony News	36	1708
PC-9821 1280 × 1024	36	1600
WS Sunmicro	37	1664

Remarque

Lorsque le rapport d'écran du signal d'entrée est différent de 4:3, une partie de l'écran s'affiche en noir.

Le menu REGLAGE

Le menu REGLAGE est utilisé pour changer les réglages du projecteur.



Procédure

1. Sélectionnez un paramètre

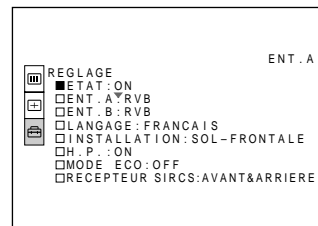
Utilisez la touche **↑** ou **↓** pour sélectionner le paramètre, puis appuyez sur la touche **→** ou ENTER.

2. Modifiez le réglage

Appuyez sur la touche **↑** ou **↓** pour modifier le réglage. Pour restaurer l'écran d'origine, appuyez sur la touche ENTER ou **←**.

ETAT (écran d'affichage)

Règle l'affichage sur écran.



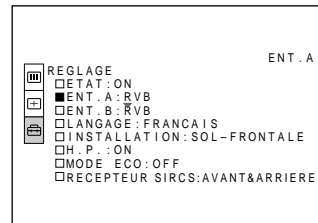
ON: Affichage de tous les écrans de menu.

OFF: Désactive les menus sur écran sauf pour les menus, le message d'indication de mise hors tension et les messages d'avertissement.

Pour plus de détails sur les messages d'avertissement, reportez-vous à la page 41 (F).

ENT. A

Sélectionne le signal RVB ou composante entré à partir du connecteur INPUT A.

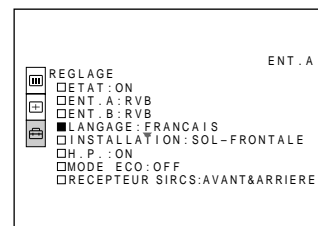


Remarque

Si le réglage n'est pas correct, l'indication "Vérifiez ENT. A dans REGLAGE." apparaît à l'écran et les couleurs de l'image deviennent étranges ou l'image ne s'affiche pas.

ENT. B

Sélectionne le signal RVB ou composante entré à partir du connecteur INPUT B.

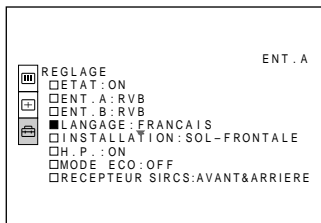


Remarque

Si le réglage n'est pas correct, l'indication "Vérifiez ENT. B dans REGLAGE." apparaît à l'écran et les couleurs de l'image deviennent étranges ou l'image ne s'affiche pas.

LANGAGE

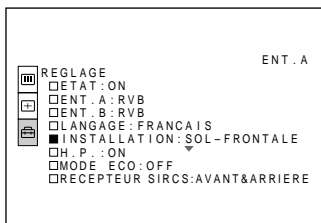
Sélectionne la langue utilisée dans le menu et pour l'affichage sur écran.



Les langues disponibles sont l'anglais, le français, l'allemand, l'italien, l'espagnol, le japonais et le chinois.

INSTALLATION

Réglage d'inversion horizontale ou verticale de l'image.



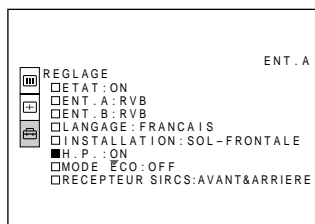
- SOL-FRONTALE:** L'image n'est pas inversée.
- PLAFOND-FRONTALE:** L'image est inversée horizontalement et verticalement.
- SOL-RETRO:** L'image est inversée horizontalement.
- PLAFOND-RETRO:** L'image est inversée verticalement.

Remarque

En cas d'utilisation d'un miroir, veillez à l'installation car il est possible que l'image soit inversée.

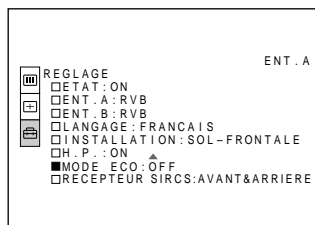
H.P.

Réglez-le sur OFF pour couper le son des haut-parleurs internes. Lorsque vous sélectionnez OFF, l'indication "H.P. OFF" apparaît à l'écran lorsque vous mettez l'appareil sous tension.



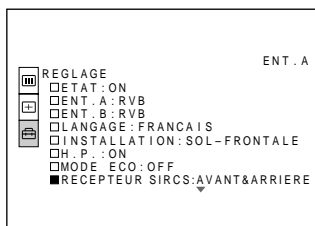
MODE ECO

Lorsqu'il est réglé sur ON, le projecteur passe en mode d'économie d'énergie si aucun signal n'est entré pendant 10 minutes.



RECEPTEUR SIRCS

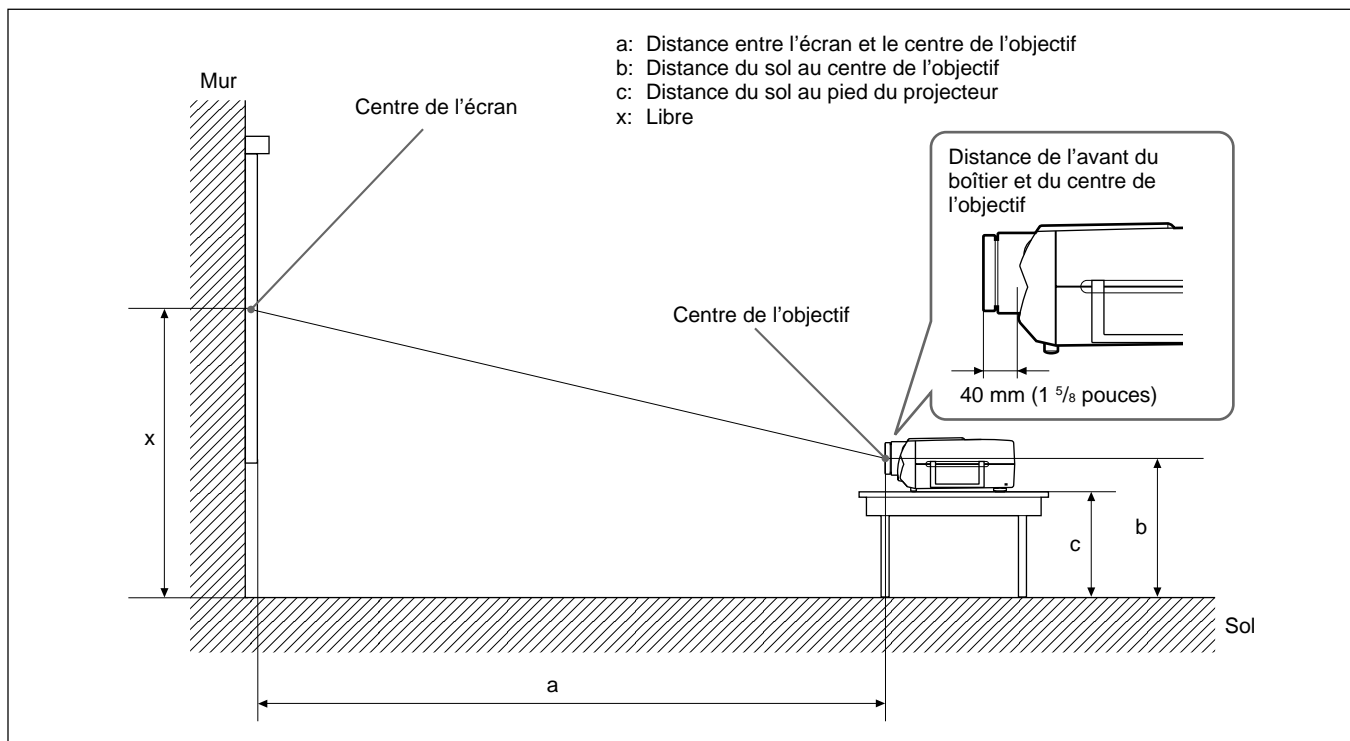
Sélectionne les capteurs de télécommande à l'avant et à l'arrière du projecteur.



- AVANT&ARRIERE:** Active les capteurs avant et arrière.
- AVANT:** Active uniquement le capteur avant.
- ARRIERE:** Active uniquement le capteur arrière.

Exemples d'installation

Installation au sol



Unité: mm (pouces)

Taille de l'écran (pouces)		40	60	80	100	120	150	180	200	250	300
a	Minimum	1570 (61 7/8)	2400 (94 1/2)	3240 (127 5/8)	4070 (160 3/8)	4900 (193)	6150 (242 1/4)	7410 (291 7/8)	8240 (324 1/2)	10320 (406 3/8)	12410 (488 3/4)
	Maximum	2000 (78 3/4)	3040 (119 3/4)	4090 (161 1/8)	5130 (202)	6180 (243 3/8)	7750 (305 1/4)	9310 (366 5/8)	10360 (408)	12970 (510 3/4)	15580 (613 1/2)
b		x-292 (11 5/8)	x-439 (17 3/8)	x-585 (23 1/8)	x-731 (28 7/8)	x-877 (34 5/8)	x-1097 (43 1/4)	x-1316 (51 7/8)	x-1462 (57 5/8)	x-1828 (72)	x-2194 (86 3/8)
c		x-376 (14 7/8)	x-522 (20 5/8)	x-668 (26 3/8)	x-815 (32 1/8)	x-961 (37 7/8)	x-1180 (46 1/2)	x-1399 (55 1/8)	x-1546 (60 7/8)	x-1911 (75 3/8)	x-2277 (89 3/4)

Pour calculer les mesures d'installation (unité: mm)

SS: diagonale de l'écran (pouces)

$$a \text{ (minimum)} = \{(SS \times 52,83/1,2992) - 95,03\} \times 1,025$$

$$a \text{ (maximum)} = \{(SS \times 69,64/1,2992) - 96,17\} \times 0,975$$

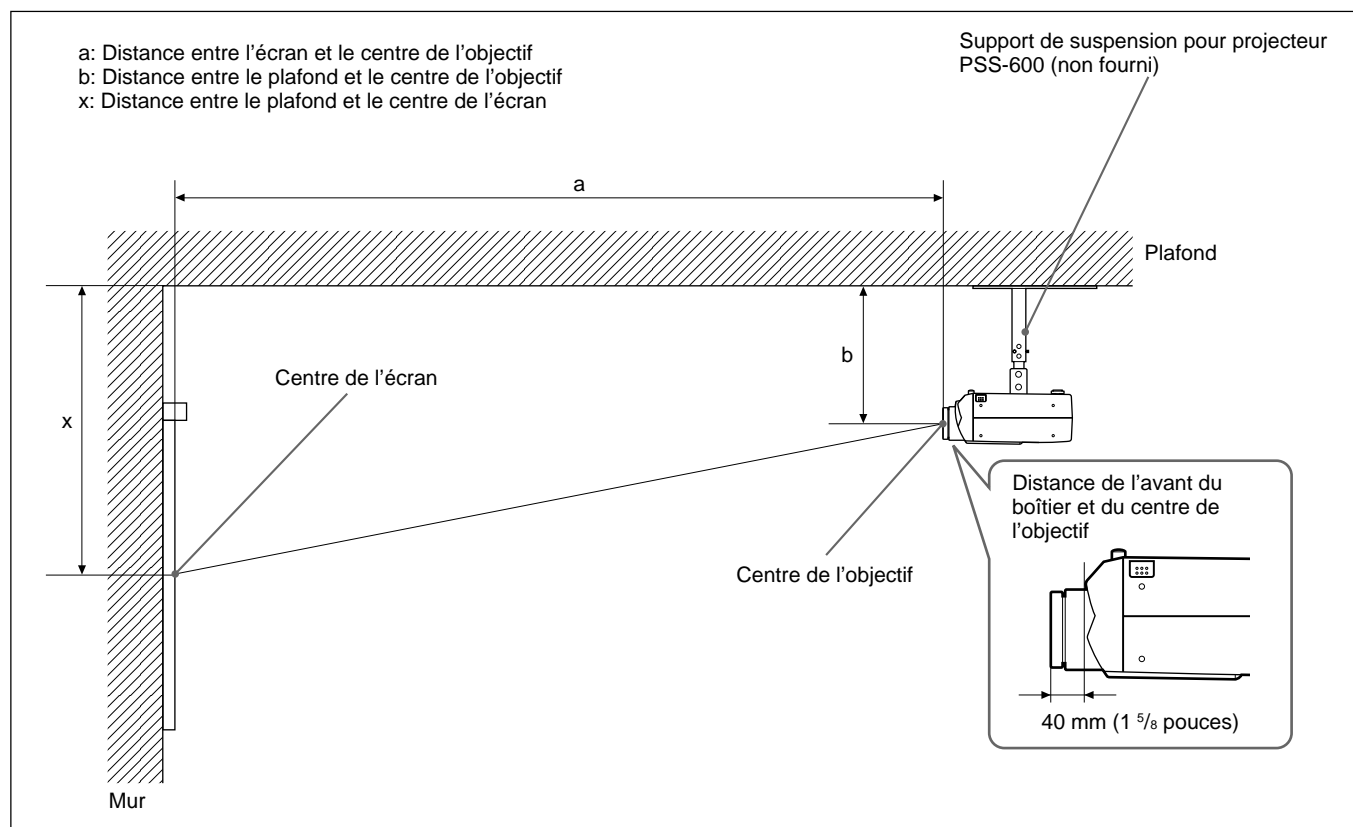
$$b = x - (SS/1,2992 \times 9,5)$$

$$c = x - (SS/1,2992 \times 9,5 + 83,3)$$

Installation au plafond

Si vous installez le projecteur au plafond, utilisez le support de suspension pour projecteur PSS-600.

Pour une installation au plafond, adressez-vous à un personnel Sony qualifié.



Unité: mm (pouces)

Taille de l'écran (pouces)		80	100	120	150	180	200	250	300
a	Minimum	3240 (127 5/8)	4070 (160 3/8)	4900 (193)	6150 (242 1/4)	7410 (291 7/8)	8240 (324 1/2)	10320 (406 3/8)	12410 (488 3/4)
	Maximum	4090 (161 1/8)	5130 (202)	6180 (243 3/8)	7750 (305 1/4)	9310 (366 5/8)	10360 (408)	12970 (510 3/4)	15580 (613 1/2)
x		b+585 (23 1/8)	b+731 (28 7/8)	b+877 (34 5/8)	b+1097 (43 1/4)	b+1316 (51 7/8)	b+1462 (57 5/8)	b+1828 (72)	b+2194 (86 1/2)
b		226/251/276/326/351/376 mm (9 / 10 / 10 7/8 / 12 7/8 / 13 7/8 / 14 7/8 pouces) réglables lors de l'utilisation du PSS-600							

Pour calculer les mesures d'installation (unité: mm)

SS: diagonale de l'écran (pouces)

$$a \text{ (minimum)} = \{(SS \times 52,83/1,2992) - 95,03\} \times 1,025$$

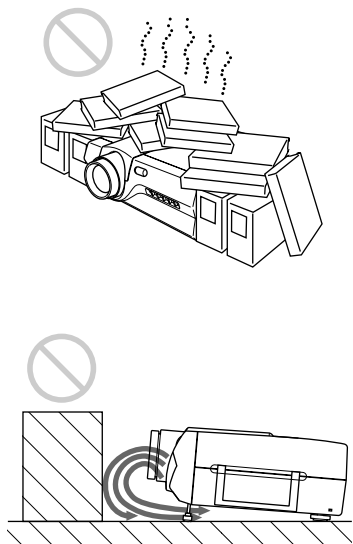
$$a \text{ (maximum)} = \{(SS \times 69,64/1,2992) - 96,17\} \times 0,975$$

$$x = b + SS/1,2992 \times 9,5$$

Installation déconseillée

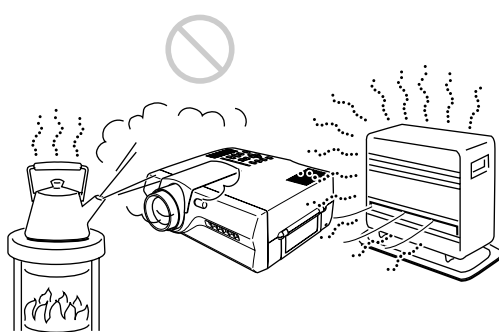
N'installez pas le projecteur dans les situations suivantes. Ces installations peuvent provoquer un dysfonctionnement, voire une détérioration du projecteur.

Manque de ventilation



- Prévoyez une circulation d'air suffisante pour éviter toute surchauffe interne. Ne placez pas l'appareil sur des surfaces (tapis, couvertures, etc.) ou à proximité de matériaux (rideaux, tentures) pouvant obstruer les orifices de ventilation. Lorsque la chaleur interne s'accumule en raison d'une obstruction de ces orifices, le capteur de température enverra un signal et le message "Surchauffe! Mise hors tension dans 1 min" apparaîtra. Le projecteur se mettra hors tension après environ une minute.
- Prévoyez un espace de plus de 30 cm (11 ⁷/₈ pouces) autour des orifices de ventilation.
- Veillez à ce que les orifices de ventilation du fond n'aspirent pas de substances étrangères telles que des morceaux de papier.
- Si vous placez un objet en face des orifices de ventilation avant, il se peut que l'air expulsé soit aspiré par le projecteur via les prises d'air du fond, ce qui peut provoquer une augmentation de la température interne et le déclenchement du circuit de protection. Installez le projecteur de sorte que la sortie d'air ne soit pas entravée.

Exposition à la chaleur et à l'humidité



- Evitez de placer l'appareil dans un endroit où la température et le taux d'humidité sont très élevés ou dans des endroits très froids.
- Pour éviter la condensation d'humidité, n'installez pas l'appareil dans un endroit où la température peut augmenter rapidement.

Endroit poussiéreux

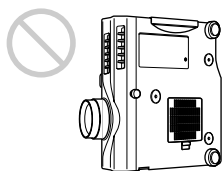


N'installez pas l'appareil dans un endroit très poussiéreux; sinon, le filtre à air s'obstruera. La poussière bloque l'air passant dans le filtre, ce qui peut provoquer une hausse de la température externe du projecteur. Nettoyez-le régulièrement.

Remarques concernant l'installation

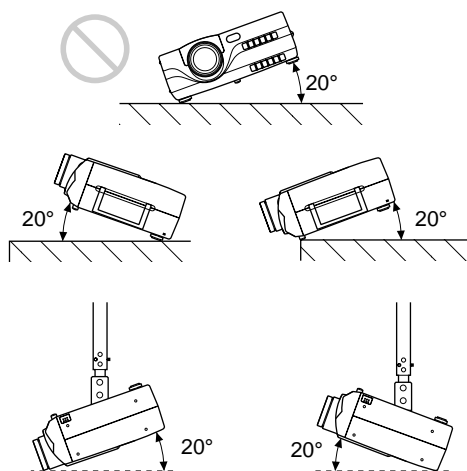
Respectez les points suivants.

N'installez pas le projecteur sur son flanc.



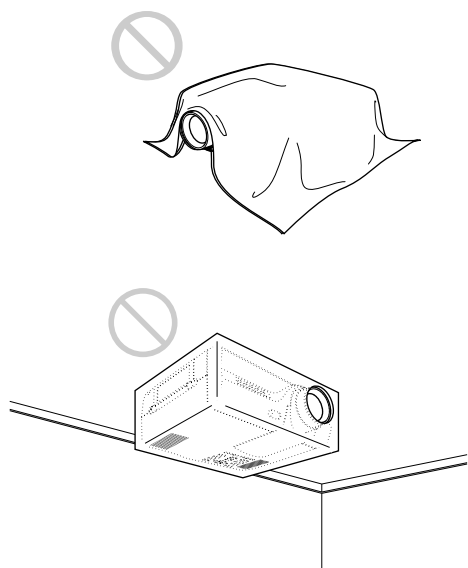
Ne placez pas l'appareil sur le flanc car cela peut entraîner un dysfonctionnement.

Placez-le à niveau



Évitez que l'appareil ne soit incliné de plus de 20 degrés. N'installez pas l'appareil à d'autres endroits qu'au sol ou au plafond. D'autres endroits d'installation peuvent être à l'origine de dysfonctionnements.

Dégagez les orifices de ventilation



Ne couvrez pas les orifices de ventilation avant du projecteur. Il pourrait en résulter une accumulation de chaleur interne.

Utilisez le couvercle avant fourni lorsque l'appareil est hors tension. Ne mettez pas le projecteur sous tension lorsque le couvercle est encore dessus. Cette opération pourrait provoquer un dysfonctionnement de l'appareil.

Remplacement de la lampe

Lorsqu'il est temps de remplacer la lampe, ne tardez pas à remplacer la lampe par une lampe pour projecteur LMP-600.

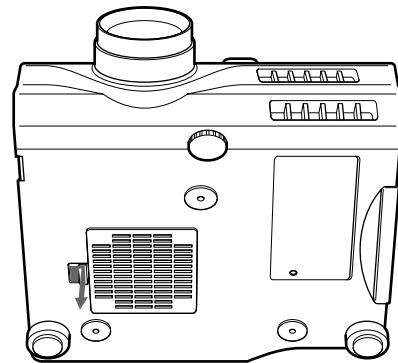
Pour plus de détails sur le remplacement, reportez-vous au mode d'emploi accompagnant la lampe pour projecteur LMP-600.

Nettoyage du filtre à air

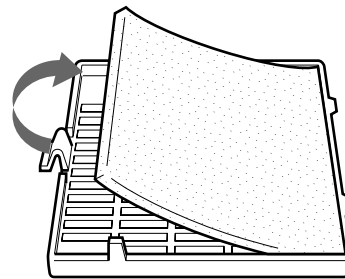
Le filtre à air doit être nettoyé toutes les 300 heures. Quand il devient difficile d'éliminer la poussière du filtre, remplacez le filtre.

Pour nettoyer le filtre à air, suivez les étapes ci-dessous:

- 1** Mettez le projecteur hors tension et débranchez le fil d'alimentation.
- 2** Retirez le couvercle du filtre à air situé en dessous du projecteur.



- 3** Enlevez le filtre à air.



- 4** Déposez la poussière du filtre au moyen d'un aspirateur.
- 5** Fixez le filtre à air et remplacez le couvercle.

Remarques

- Si le filtre à air est excessivement encrassé, lavez-le dans une solution détergente neutre et faites-le ensuite sécher à l'ombre. S'il n'est pas possible d'éliminer la poussière, remplacez le filtre à air par le filtre neuf fourni.
- Fixez correctement le couvercle du filtre à air: le projecteur ne se mettra pas sous tension si le couvercle n'est pas bien refermé.

Si le projecteur ne fonctionne pas correctement, essayez d'en déterminer la cause et remédiez au problème en vous référant aux instructions ci-dessous. Si le problème persiste, adressez-vous à un personnel Sony qualifié.

Symptôme	Cause	Remède
Le projecteur ne se met pas sous tension.	L'appareil a successivement été mis hors et puis à nouveau sous tension à bref intervalle à l'aide de la touche I / ⏻.	Attendez environ une minute avant de remettre le projecteur sous tension (voir page 22 (F)).
	Le couvercle de la lampe est mal fixé.	Refermez le couvercle de la lampe correctement.
	Le couvercle du filtre à air est mal fixé.	Refermez le couvercle du filtre à air correctement (voir page 38 (F)).
Absence de son et d'image.	Un câble est débranché.	Assurez-vous que les connexions effectuées sont correctes (voir pages 18 (F) à 21 (F)).
	Mauvaise connexion	Assurez-vous que les connexions effectuées sont correctes (voir pages 18 (F) à 21 (F)).
	La sélection d'entrée est incorrecte.	Sélectionnez la source d'entrée correctement à l'aide de la touche INPUT (voir page 22 (F)).
Absence d'image ou de son.	L'image ou le son a été supprimé.	Appuyez sur la touche MUTING pour annuler la fonction de coupure (voir page 23 (F)).
Absence d'image.	Le signal de l'ordinateur n'est pas réglé pour émettre vers un moniteur externe.	Réglez le signal de l'ordinateur pour pouvoir être émis vers un moniteur externe (voir page 18 (F)).
	Le signal de l'ordinateur est réglé pour être émis vers l'écran LCD de l'ordinateur et un moniteur externe.	Réglez le signal de l'ordinateur pour être uniquement émis vers un moniteur externe (voir page 18 (F)).
L'image est parasitée.	Il est possible que des parasites apparaissent en arrière-plan en fonction de la combinaison du nombre de points entrés via le connecteur et le nombre de pixels du panneau LCD.	Modifiez le modèle d'affichage de l'ordinateur raccordé.
Si le son entre via le connecteur INPUT A/B, le son passe par un seul canal.	Le son monaural est entré via le connecteur INPUT A/B.	Entrez un son stéréo.
L'image via le connecteur INPUT A/B présente des couleurs étranges.	Le réglage pour ENT. A/ENT. B dans le menu REGLAGE est incorrect.	Sélectionnez RVB ou COMPOSANT pour ENT. A ou ENT. B dans le menu REGLAGE en fonction du signal d'entrée (voir page 32 (F)).
"Vérifiez ENT. A dans REGLAGE" apparaît même si le signal d'entrée correct est transmis via INPUT A.	Le réglage pour ENT. A dans le menu REGLAGE est incorrect.	Sélectionnez RVB ou COMPOSANT pour ENT. A dans le menu REGLAGE en fonction du signal d'entrée (voir page 32 (F)).
"Vérifiez ENT. B dans REGLAGE" apparaît même si le signal d'entrée correct est transmis via INPUT B.	Le réglage pour ENT. B dans le menu REGLAGE est incorrect.	Sélectionnez RVB ou COMPOSANT pour ENT. B dans le menu REGLAGE en fonction du signal d'entrée (voir page 32 (F)).
Aucun affichage de l'entrée de signal correcte via ENT. B.	Le sélecteur RGB IN/OUT est réglé sur OUT.	Réglez le commutateur sur IN (voir page 14 (F)).
"PAS D'ENTREE" apparaît lorsqu'un signal RVB 15k ou composante est entré.	Le signal de synchro est incorrect.	Entrez le signal de synchro correct (signal de synchronisation composite ou de synchronisation sur le vert (synchronisation sur Y pour le signal composante)).
Les écrans de menu ne s'affichent pas.	ETAT dans le menu REGLAGE a été mis sur OFF.	Réglez ETAT dans le menu REGLAGE sur ON (voir page 32 (F)).
La balance des couleurs est incorrecte.	L'image n'a pas été réglée adéquatement.	Réglez l'image (voir pages 27 (F) et 28 (F)).
	Le projecteur est réglé sur un mauvais système couleur.	Réglez STANDARD dans le menu CTRL IMAGE suivant le système couleur entré (voir page 28 (F)).

Guide de dépannage

Symptôme	Cause	Remède
L'image est trop foncée.	Le contraste ou la luminosité ne sont pas réglés correctement.	Réglez correctement le contraste ou la luminosité dans le menu CTRL IMAGE (voir page 27 (F)).
L'image n'est pas claire.	L'image n'est pas mise au point.	Réglez la mise au point (voir page 23 (F)).
	De la condensation s'est formée sur l'objectif.	Laissez le projecteur environ deux heures sous tension (voir page 36 (F)).
L'indicateur LAMP/COVER clignote.	Le couvercle de la lampe ou du filtre à air est mal fixé.	Fixez fermement le couvercle (voir page 38 (F)).
L'indicateur LAMP/COVER s'allume..	La lampe a atteint la fin de sa durée de vie utile.	Remplacez la lampe (voir page 38 (F)).
L'indicateur TEMP/FAN clignote.	Le ventilateur est défectueux.	Adressez-vous à un personnel Sony qualifié.
L'indicateur TEMP/FAN s'allume.	La température interne est anormalement élevée.	Vérifiez si les orifices de ventilation ne sont pas obstrués.
La télécommande ne fonctionne pas.	Les piles de la télécommande sont épuisées.	Remplacez les piles par des neuves (voir page 16 (F)).
	Le commutateur COMMANDER ON/OFF est mis en position OFF.	Mettez le commutateur en position ON (voir page 16 (F)).
	Vous utilisez la télécommande comme télécommande sans fil et elle est raccordée au projecteur.	Débranchez le câble.
	Le capteur de télécommande avant/arrière se trouve à proximité de la lampe fluorescente.	Modifiez le réglage de RECEPTEUR SIRCS dans le menu REGLAGE (voir page 33 (F)).
Le pointeur laser n'émet pas.	Les piles sont mortes.	Remplacez les piles par des neuves (voir page 16 (F)).
	La télécommande est utilisée comme une télécommande avec fil sans piles.	Mettez les piles en place (voir page 16 (F)).
La manette de commande, la touche R CLICK ou L CLICK ne fonctionne pas.	Le port de la souris de l'ordinateur ne reconnaît pas le câble de souris.	Redémarrez l'ordinateur.

Messages d'avertissement

Utilisez la liste ci-dessous pour vérifier la signification des messages affichés à l'écran.

Message	Signification	Remède
Surchauffe! Mise hors tension dans 1 min.	La température interne est excessive.	Mettez le projecteur hors tension. Assurez-vous que les orifices de ventilation ne sont pas obstrués.
Fréquence est hors limites!	Ce signal d'entrée ne peut être projeté car la fréquence est en-dehors de la plage acceptable de ce projecteur.	Entrez un signal dans la plage de fréquence compatible avec ce projecteur.
	Le réglage de la définition du signal de sortie de l'ordinateur est trop élevé.	Réglez la sortie pour SVGA.
Vérifiez ENT. A dans REGLAGE.	Vous avez entré un signal RVB de l'ordinateur alors que ENT. A dans le menu REGLAGE est réglé sur COMPOSANT.	Réglez ENT. A correctement.
Vérifiez ENT. B dans REGLAGE.	Vous avez entré un signal RVB de l'ordinateur alors que ENT. B dans le menu REGLAGE est réglé sur COMPOSANT.	Réglez ENT. B correctement.

Messages de précaution

Consultez la liste ci-dessous pour connaître la signification des messages affichés à l'écran.

Message	Signification	Remède
PAS D'ENTREE	Absence de signal d'entrée	Vérifiez les connexions.
Non applicable!	Vous avez appuyé sur la mauvaise touche.	Appuyez sur la touche adéquate.

Spécifications

Caractéristiques optiques

Système de projection	3 panneaux LCD, 1 objectif
Panneau LCD	Panneau LCD 1,3 pouce TFT, 1.440.000 pixels (480.000 pixels × 3)
Objectif	Zoom 1,3 fois f 54 à 70 mm/F 2,0 à 2,4
Lampe	120 W UHP
Taille de l'image projetée	Plage: 40 à 300 pouces (en diagonale)
Rendement lumineux	ANSI lumen ¹⁾ 1100 lm
Distance de projection (Affichage 800 × 600 points)	40 pouces: 1570 à 2000 mm (61 ⁷ / ₈ à 78 ³ / ₄ pouces) 80 pouces: 3240 à 4090 mm (127 ⁵ / ₈ à 161 ¹ / ₈ pouces) 100 pouces: 4070 à 5130 mm (160 ³ / ₈ à 202 pouces) 120 pouces: 4900 à 6180 mm (193 à 243 ³ / ₈ pouces) 200 pouces: 8240 à 10360 mm (324 ¹ / ₂ à 408 pouces) 300 pouces: 12410 à 15580 mm (488 ³ / ₄ à 613 ¹ / ₂ pouces)

Caractéristiques électriques

Système couleur	Système NTSC _{3.58} /PAL/SECAM/ NTSC _{4.43} /PAL-M à commutation automatique/manuelle
Définition	600 lignes TV horizontales (entrée vidéo) 800 × 600 points (entrée RGB)
Signaux informatiques compatibles	fH: 15, 24 à 91 kHz fV: 43 à 85 Hz
Haut-parleur	Système à 3 haut-parleurs et fréquence large, HP de graves: 57 mm (2 ¹ / ₄ pouces) de diamètre, max. 1 W HP d'aiguës: 28 mm (1 ¹ / ₈ pouces) de diamètre, max. 0,2 W × 2 (stéréo)

Entrée/sortie

VIDEO IN (uniquement pour le VPL-S900U/M)	VIDEO: type phono Vidéo composite: 1 V _{cc} ±2 dB sync négative (terminaison à 75 ohms) S VIDEO: miniconnecteur DIN Y/ C à 4 broches (mâle) Y (luminance): 1 V _{cc} ±2 dB sync négative (terminaison à 75 ohms) C (chrominance): salve 0,286 V _{cc} ±2 dB (NTSC) (terminaison à 75 ohms), salve 0,3 V _{cc} ±2 dB (PAL) (terminaison à 75 ohms)
AUDIO IN (uniquement pour le VPL-S900U/M)	Type phono × 2 500 mV _{rms} , impédance supérieure à 47 kohms
INPUT A/INPUT B	HD D-sub à 15 broches (femelle) RVB analogique/composante: Utilisée comme entrée R/R-Y: 0,7 V _{cc} ±2 dB (terminaison à 75 ohms) G: 0,7 V _{p-p} ±2 dB (75 ohms terminated) G avec sync/Y: 1 V _{cc} ±2 dB sync négative (terminaison à 75 ohms) B/B-Y: 0,7 V _{cc} ±2 dB (terminaison à 75 ohms) SYNC/HD: Entrée sync composite: 1-5 V _{cc} haute impédance, positive/ négative Entrée sync horizontale: 1-5 V _{cc} haute impédance, positive/ négative VD: Entrée de sync vertical: 1-5 V _{cc} haute impédance, positive/ négative Utilisée comme sortie (INPUT B uniquement) (commutation entrée/sortie, sort le signal entré via le connecteur RGB de INPUT A) R/R-Y: Unité de gain (terminaison à 75 ohms) G: Unité de gain (terminaison à 75 ohms)

B/B-Y: Unité de gain
(terminaison à 75 ohms)
SYNC/HD: Sortie de
synchronisation composite
4Vcc (ouvert), 1Vcc (entrée
75 ohms)
Sortie de synchronisation
horizontale 4Vcc (ouvert)
1Vcc (entrée 75 ohms)
VD: Sortie de synchronisation
verticale 4Vcc (ouvert) 1Vcc
(entrée 75 ohms)
MOUSE (sortie: 13 broches
(femelle)
(Pour plus de détails, voir
"Attribution des broches" à la page
45 (F).)
AUDIO: miniprise stéréo
500 mVrms, impédance
supérieure à 47 kohms
AUDIO OUT (sortie variable): miniprise stéréo
Max. 1 Vrms, lorsque le signal de
sortie est de 500 mVrms,
impédance inférieure à 5 kohms
CONTROL S IN/PLUG IN POWER
Miniprise stéréo
5 Vcc, alimentation par fiche,
courant continu 5 V maximum,
sortie 60 mA
Réglementations de sécurité
VPL-S900U: UL1950, cUL (CSA
C22.2 No. 950), FCC Classe A,
IC Classe A, DHHS
VPL-S900E/S900M: EN60 950
EN60825-1, CE, C-Tick

Faisceau laser

Type de laser	Classe 2
Longueur d'onde	645 nm
Puissance de sortie	1 mW

Généralités

Dimensions	333 × 120 × 291 mm (13 1/4 × 4 3/4 × 11 1/2 pouces) (l/h/p) (sans l'objectif, les pieds de réglage et les parties saillantes) 339 × 136 × 322 mm (13 3/8 × 5 3/8 × 12 3/4 pouces) (l/h/p)
------------	--

Poids	Approx. 5,9 kg (13 lb)
Puissance de raccordement	AC 100 à 120 V/220 à 240 V, 2 A/ 0,9 A, 50/60 Hz
Consommation électrique	Max. 220 W (mode de veille: 2 W)
Dissipation de chaleur	750,7 BTU
Température d'utilisation	0°C à 40°C (32°F à 104°F)
Humidité d'utilisation	35% à 85% (sans condensation)
Température de stockage	-20°C à 60°C (-4°F à 140°F)
Humidité de stockage	10% à 90%
Accessoires fournis	Télécommande RM-PJM600 (1) Piles AA (R6) (2) Câble de signal vidéo SMF-401 (1) Adaptateur de signal (pour Macintosh) (1) Câble de souris SIC-S20 (pour Macintosh) (2 m) (1) SIC-S21 (pour le port sériel) (2 m) (1) SIC-S22 (pour PS/2) (2 m) (1) Câble audio/vidéo (1,5 m) (1) (sauf pour le VPL-S900E) Dragonne pour télécommande (1) Fil d'alimentation (1) Bouchon d'objectif (1) Couvercle avant (1) Filtre à air (pour remplacement) (1) Mode d'emploi (1) Manuel d'installation destiné aux revendeurs (1) Carte de référence rapide (1) Carte de garantie (1) (uniquement pour le VPL-S900U)

La conception et les spécifications sont sujettes à modifications sans préavis.

Spécifications

Accessoires en options

Lampe pour projecteur LMP-600¹⁾ (pour remplacement)

Support de suspension pour projecteur PSS-600

Carte d'interface IFB-X600E (pour VPL-S900E)

Câble de signal vidéo

SMF-400 (HD D-sub à 15 broches (mâle) ↔ 5 × BNC (mâle))

SMF-401 (HD D-sub à 15 broches (mâle) ↔ HD D-sub à 15 broches (mâle))

Câble de signal

SMF-402 (HD D-sub à 15 broches (mâle) ↔ 3 × type phono (mâle))

Câble de souris

SIC-S20 (pour Macintosh) (2 m)

SIC-S21 (pour le port sériel) (2 m)

SIC-S22 (pour PS/2) (2 m)

Adaptateur de signal ADP-20 (Macintosh ↔ HD D-sub à 15 broches)

Objectif de projection

Objectif à focale longue avec zoom 2× VPLL-ZM100

Objectif à focale courte fixe VPLL-FM20

Objectif à focale courte fixe VPLL-FM30

Etui de transport VLC-600¹⁾

Ecrans

VPS-50C portable de 50 pouces

VPS-80C portable de 80 pouces

VPS-100FH à écran plat de 100 pouces

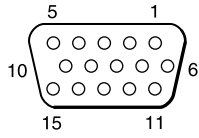
VPS-120FH à écran plat de 120 pouces

Il est possible que certains de ces accessoires ne soient pas disponibles dans tous les pays. Pour plus de détails, adressez-vous à votre représentant Sony.

1) Il se peut que la lampe LMP-600 et VLC-600 ne soit pas disponible dans tous les pays. Pour plus de détails, adressez-vous à votre représentant Sony.

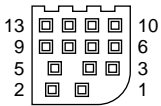
Attribution des broches

Connecteur d'entrée RGB (INPUT A)/RGB IN/ OUT (INPUT B) (HD D-sub à 15 broches, femelle)



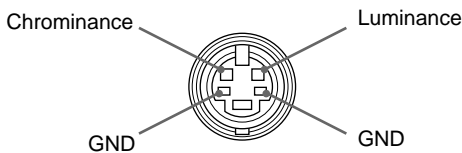
1	R/R-Y	9	N.C.
2	G/Y	10	GND
3	B/B-Y	11	GND
4	N.C.	12	N.C.
5	GND	13	HD/C.Sync
6	GND (R)	14	VD
7	GND (G)	15	N.C.
8	GND (B)		

Connecteur MOUSE (13 broches, femelle)



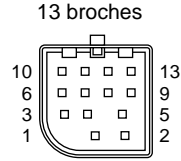
1	RTS	8	R
2	GND	9	98/AT/TXD
3	XA	10	+5V/DTR
4	XB	11	CLOCK
5	YA	12	DATA
6	YB	13	RXD
7	L/PS		

Prise S VIDEO (4 broches, miniconnecteur DIN)



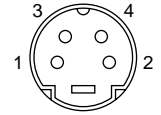
Attribution des broches du câble de souris

SIC-S20



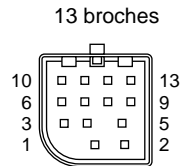
1	RTS	8	R
2	GND	9	98/AT/TXD
3	XA	10	+5V/DTR
4	XB	11	CLOCK
5	YA	12	DATA
6	YB	13	RXD
7	L/PS		

miniconnecteur DIN à 4 broches



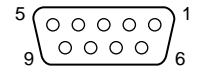
1	ADB
2	NC
3	+5V
4	GND

SIC-S21



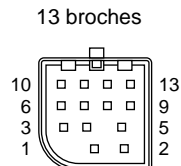
1	RTS	8	R
2	GND	9	98/AT/TXD
3	XA	10	+5V/DTR
4	XB	11	CLOCK
5	YA	12	DATA
6	YB	13	RXD
7	L/PS		

DIN à 9 broches



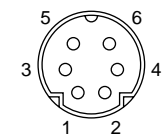
1	DCD
2	RXD
3	TXD
4	DTR
5	GND
6	DSR
7	RTS
8	CTS
9	RI

SIC-S22



1	RTS	8	R
2	GND	9	98/AT/TXD
3	XA	10	+5V/DTR
4	XB	11	CLOCK
5	YA	12	DATA
6	YB	13	RXD
7	L/PS		

miniconnecteur DIN à 6 broches

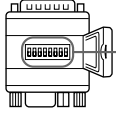


1	DATA
2	NC
3	GND
4	+5V
5	CLOCK
6	NC

Spécifications

Position du microcommutateur pour l'adaptateur de signal

vers le
Macintosh



Microcommutateur

vers le
projecteur

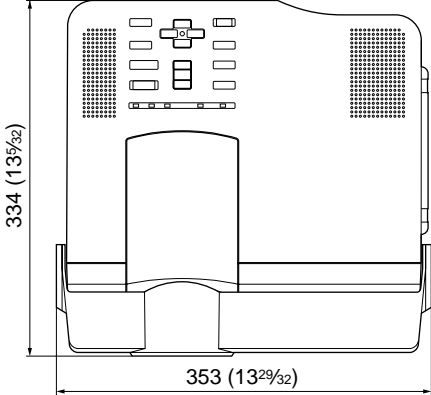
ON (position supérieure) = 1
OFF (position inférieure) = 0

Mode	fH	Microcommutateur							
		1	2	3	4	5	6	7	8
VGA/S VGA	31,5 kHz/37,8 kHz	0	0	1	1	1	0	0	1
Macintosh, 13"	35,0 kHz	1	1	0	0	1	0	0	1
Macintosh, 16"	49,7 kHz	0	1	0	1	1	0	0	1
Macintosh, 19"	60,2 kHz	0	1	1	0	1	0	0	1
Macintosh, 21"	68,7 kHz	1	1	1	1	1	0	0	1
Macintosh 1280 × 960	75,0 kHz	1	1	0	0	1	1	0	1
Macintosh 1280 × 1024	75,0 kHz	1	1	0	0	1	1	0	1



Spécifications

Dessus (avec le couvercle du devant)



Unité: mm (pouces)

A, B

Accessoires en options 44 (F)
Accessoires fournis 43 (F)
Adaptateur de signal 19 (F)
 position des microcommutateurs 46 (F)
Alimentation
 mise hors tension 24 (F)
 mise sous tension 22 (F)
AMPL. 29 (F)
Attribution des broches 45 (F)

C

Câble de souris
 attribution des broches 45 (F)
 connexion 19 (F)
Capteur de télécommande
 arrière 13 (F)
 avant 8 (F)
 réglage 33 (F)
Connecteur d'entrée RVB 14 (F)
 attribution des broches 45 (F)
Connecteur de souris 14 (F)
 attribution des broches 45 (F)
CONTRASTE 27 (F)
CONV EREQ (convertisseur de balayage)
 30 (F)
COULEUR 27 (F)
Coupure
 de l'image 23 (F)
 du son 23 (F)
Couvercle avant 8 (F), 9 (F)

D, E

DEPL. 29 (F)
Dimensions 47 (F), 48 (F)
Emplacement et fonction des commandes
 arrière 13 (F)
 avant 8 (F)
 panneau de commande 11 (F)
 panneau de connecteur 14 (F)
 télécommande 15 (F)
ENT. A 32 (F)
ENT. B 32 (F)
ETAT (écran d'affichage) 32 (F)
Exemples d'installation
 au plafond 35 (F)
 au sol 17 (F), 34 (F)
 endroits déconseillés 36 (F)
 remarques 37 (F)

F, G, H

Filtre à air 38 (F)
Fonction APA 24 (F)
Fonction de pointeur laser 15 (F)
FORMAT 30 (F)
Guide de dépannage 39 (F)
H.P. 33 (F)

I, J, K

IMAGE D. (dynamique) 28 (F)
INSTALLATION 33 (F)

L, M, N

LANGAGE 33 (F)
LUMIERE 27 (F)
Menu
 menu CTRL IMAGE 27 (F)
 menu REGL ENTREE 29 (F)
 menu REGLAGE 32 (F)
 suppression de l'affichage du menu
 26 (F)
 utilisation du menu 26 (F)
Menu CTRL IMAGE 27 (F)
Menu REGL ENTREE 29 (F)
Menu REGLAGE 32 (F)
Message
 avertissement 41 (F)
 précaution 41 (F)
MODE ECO 12 (F), 33 (F)
MODE GAMMA 28 (F)
NETTETE 28 (F)

O, P, Q

Orifices de ventilation
 prise d'air 8 (F)
 sortie d'air 8 (F)
PHASE 29 (F)
Pieds réglables 9 (F)
Pile
 installation 16 (F)
 remarques 16 (F)
Poignée de transport 9 (F)
Précautions 4 (F)

R

Raccordements
 appareil RVB 15k/composantes 20 (F)
 Magnétoscope 20 (F)
 ordinateur 18 (F)
 Utilisation du connecteur RGB IN/OUT
 de INPUT B comme connecteur de
 sortie moniteur 21 (F)
RECEPTEUR SIRCS 33 (F)
Réglage
 de l'image 27 (F)
 de la taille/déplacement de l'image
 29 (F)
 mémoire des réglages 26 (F)
Réinitialisation
 paramètres réinitialisables 26 (F)
 réinitialisation du paramètre 26 (F)
Remplacement de la lampe 38 (F)

S

Spécifications 42 (F)
STANDARD (système couleur) 28 (F)
Support de suspension pour projecteur
 PSS-60 35 (F)

T, U, V, W, X, Y, Z

Taille de l'écran 17 (F), 34 (F), 35 (F)
TEINTE 27 (F)
Télécommande
 emplacement et fonction des
 commandes 15 (F)
 fonction de pointeur laser 15 (F)
 installation dans le couvercle avant
 9 (F)
 installation des piles 16 (F)
TEMP COULEU 28 (F)

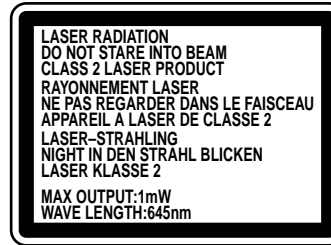
ADVERTENCIA

Para evitar riesgos de incendio o electrocución, no exponga la unidad a la lluvia ni a la humedad.

Para evitar recibir descargas eléctricas, no abra el aparato. Contrate exclusivamente los servicios de personal cualificado.

La toma mural debe estar instalada cerca del equipo y debe accederse a ésta con facilidad.

Para los clientes del modelo VPL-S900E/S900M



Esta etiqueta se encuentra en la parte posterior del mando a distancia.



Esta etiqueta se encuentra en el lateral del mando a distancia.

Para los clientes del modelo VPL-S900U



Esta etiqueta se encuentra en la parte posterior del mando a distancia.



Esta etiqueta se encuentra en la parte posterior del mando a distancia.

El haz láser se emite a través de esta ventana.

**Notas**

- No oriente el láser hacia personas ni mire hacia el transmisor de láser.
- Si el mando a distancia causa fallos de funcionamiento, consulte con personal especializado Sony. Dicho mando se sustituirá por otro nuevo en función de la garantía.

Descripción general

Precauciones	4 (ES)
Características	6 (ES)
Ubicación y función de los controles	8 (ES)
Parte frontal	8 (ES)
Parte posterior	13 (ES)
Mando a distancia	15 (ES)

Instalación y proyección

Instalación del proyector	17 (ES)
Conexión	18 (ES)
Conexión con un ordenador	18 (ES)
Conexión con una videgrabadora o equipo RGB de 15k/componente	20 (ES)
Uso del conector RGB IN/OUT de INPUT B como conector de salida de monitor	21 (ES)
Proyección	22 (ES)

Realización de ajustes mediante el menú

Uso del MENU	26 (ES)
Menú CTRL IMAGEN	27 (ES)
Menú AJUS ENTRAD	29 (ES)
Menú AJUSTE	32 (ES)

Instalación

Ejemplos de instalación	34 (ES)
Instalación en el suelo	34 (ES)
Instalación en el techo	35 (ES)
Instalación inadecuada	36 (ES)
Notas sobre la instalación	37 (ES)

Mantenimiento

Mantenimiento	38 (ES)
Nota sobre el momento de sustituir la lámpara	38 (ES)
Limpieza del filtro de aire	38 (ES)
Solución de problemas	39 (ES)

Otros

Especificaciones	42 (ES)
Índice alfabético	49 (ES)


Seguridad

- Compruebe que la tensión de funcionamiento de la unidad coincide con la tensión del suministro eléctrico local. Si es necesario adaptar la tensión, consulte con personal especializado de Sony.
- Si se derrama líquido dentro de la unidad o si se introduce un objeto sólido en la misma, desenchúfela y haga que sea revisada por personal especializado antes de volver a utilizarla.
- Desenchufe la unidad de la toma mural si no va a utilizarla durante varios días.
- Para desconectar el cable, tire del enchufe, nunca del propio cable.
- La toma de corriente debe encontrarse cerca de la unidad y ser de fácil acceso.
- La unidad no se desconectará de la fuente de alimentación de CA (toma de corriente) mientras esté conectada a la toma mural, aunque la haya apagado.
- No mire al objetivo mientras la lámpara está encendida.
- No oriente el láser hacia personas ni mire hacia el transmisor de láser.
- No sitúe la mano ni objetos cerca de los orificios de ventilación, ya que el aire que sale está caliente.
- Si instala el proyector en el techo, debe utilizarse para la instalación el soporte de suspensión para proyector Sony PSS-600.
- Tenga cuidado para no pillarse los dedos con los ajustadores al levantar el proyector. No empuje con fuerza sobre la parte superior del proyector estando los ajustadores fuera.

Iluminación

- Para obtener la mejor calidad posible de imagen, la parte frontal de la pantalla no debe exponerse a la luz solar ni iluminaciones directas.
- Se recomienda instalar una lámpara proyectora en el techo. Cubra las lámparas fluorescentes para evitar la disminución de la relación de contraste.
- Cubra con telas opacas las ventanas que estén orientadas hacia la pantalla.
- Es preferible instalar el proyector en una sala cuyo suelo y paredes no se compongan de materiales que reflejen la luz. Si el suelo y las paredes se componen de dichos tipos de materiales, se recomienda cambiar el color de la alfombra y del papel pintado de la pared por otro oscuro.

Prevención del recalentamiento interno

Después de desactivar la alimentación con la tecla I /  del mando a distancia o del panel de control, no desconecte la unidad de la toma de corriente mientras el ventilador de enfriamiento se encuentra en funcionamiento.

Precaución

El proyector dispone de orificios de ventilación de aspiración en la base y de exhaustación en la parte frontal. No bloquee estos orificios ni coloque nada junto a ellos, ya que puede producirse recalentamiento interno, causando el deterioro de imagen o daños al proyector.

Limpieza

- Para mantener el exterior como nuevo, límpielo periódicamente con un paño suave. Las manchas persistentes pueden eliminarse con un paño ligeramente humedecido en una solución detergente poco concentrada. No utilice nunca disolventes concentrados, como diluyentes, bencina o limpiadores abrasivos, ya que dañan el acabado.
- Evite tocar el objetivo. Para eliminar el polvo de éste, emplee un paño seco y suave. No utilice un paño húmedo, soluciones detergentes ni diluyentes.
- Limpie el filtro con regularidad.

Embalaje

- Conserve la caja y materiales originales de embalaje, ya que le resultarán útiles cuando vaya a transportar la unidad. Para obtener la máxima protección, embale la unidad como la recibió de fábrica.

Alto brillo y alta calidad de imagen

- **Alto brillo**

El panel LCD, con una mayor relación de apertura y una lámpara UHP de 120 W, proporciona un alto brillo (salida de luz de 1100 ANSI lumen) y una excelente uniformidad en la imagen.

- **Alta resolución**

Gracias a la incorporación de tres paneles de 1,3 pulgadas (aproximadamente 480.000 píxeles, SVGA), este proyector ofrece una resolución de 800 × 600 puntos para entrada RGB y 600 líneas de TV horizontales para entrada de vídeo.

Fácil instalación

- **Función APA (alineación automática de píxeles) original Sony**

Es posible obtener automáticamente la imagen más nítida posible con sólo pulsar la tecla APA cuando la señal se recibe desde un ordenador.

- **Fácil instalación con equipos externos**

Este proyector dispone de 38 tipos de datos predeterminados de señales de entrada. Es posible obtener imágenes de óptima calidad conectando un equipo con el cable suministrado y pulsando la tecla APA.

Fácil presentación

- **Mando a distancia con funciones de puntero láser y control de ratón**

Es posible controlar un ordenador con el mando a distancia, ya que la unidad dispone de un receptor de ratón incorporado. Para la presentación, también puede utilizar el puntero láser incorporado en el mando a distancia.

- **Alta portabilidad**

Se ha reducido el tamaño de este proyector, siendo su peso de 5,9 kg (13 lb) y su altura de 12 cm (4 ³/₄ pulgadas). Además, el asa de transporte y la cubierta frontal que alberga el mando a distancia hacen que resulte fácil de transportar.

Admisión de distintas señales de entrada

- **Convertidor de exploración incorporado**

Este proyector dispone de un convertidor de exploración incorporado que convierte la señal de entrada dentro del margen de 800 × 600 puntos.

- **Señales de entrada compatibles**

Este proyector acepta señales de vídeo compuestas, de vídeo S y de componente, así como señales de 15 k RGB, VGA¹⁾, SVGA¹⁾ XGA¹⁾ y SXGA¹⁾, las cuales es posible visualizar.

- **Compatible con cinco sistemas de color**

Es posible seleccionar automática o manualmente el sistema de color NTSC, PAL, SECAM, NTSC 4.43²⁾ o PAL-M.

Nota sobre el modelo VPL-S900E

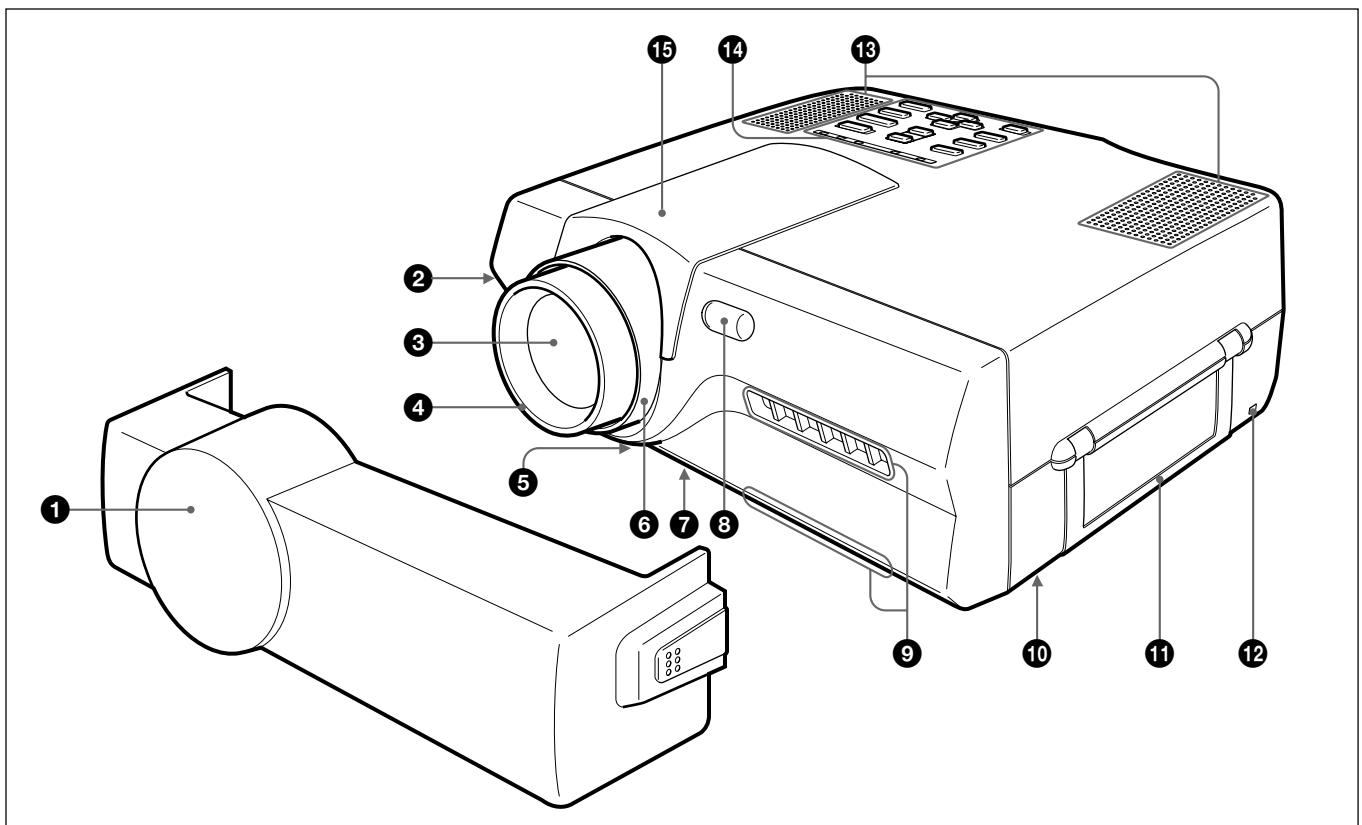
Es precisa la tarjeta opcional de interface IFB-X600E para entrada de vídeo compuesta.

1) VGA, SVGA, XGA y SXGA son marcas comerciales registradas de International Business Machines Corporation, EE.UU.

2) NTSC4.43 es el sistema de color utilizado al reproducir vídeos grabados en NTSC en videograbadoras del sistema NTSC4.43.

Ubicación y función de los controles

Parte frontal



1 Cubierta frontal

El mando a distancia se instala en la parte posterior de la cubierta frontal.

2 Botón ajustador frontal

3 Objetivo

Retire la cubierta frontal y la tapa del objetivo antes de la proyección.

4 Anillo de enfoque

Ajusta el enfoque de la imagen.

5 Orificios de ventilación (base / aspiración)

6 Anillo de zoom

Ajusta el tamaño de la imagen.

7 Ajustador frontal

Se emplea para nivelar el proyector si se instala en una superficie desnivelada.

Para obtener información detallada sobre cómo utilizar los ajustadores, consulte "Cómo utilizar los ajustadores" en la página 10 (ES).

8 Detector frontal de control remoto

9 Orificios de ventilación (exhaustación)

Notas

- No sitúe nada junto a los orificios de ventilación, ya que puede producirse recalentamiento interno.
- No sitúe la mano ni objetos cerca de los orificios de ventilación, ya que el aire sale caliente.

10 Cubierta de la lámpara (parte inferior)

11 Asa de transporte

Se emplea para transportar el proyector.

12 Bloqueo de seguridad

Se conecta a un cable opcional de seguridad (Kensington).

El bloqueo de seguridad corresponde al sistema de seguridad MicroSaver de Kensington. Si desea realizar algún comentario, póngase en contacto en la siguiente dirección:

Kensington
2853 Campus Drive, San Mates, CA 94403
EE.UU.
Tel: 800-535-4242: extensión 3348
Dirección en Internet:
<http://www.kensington.com/>

13 Altavoces

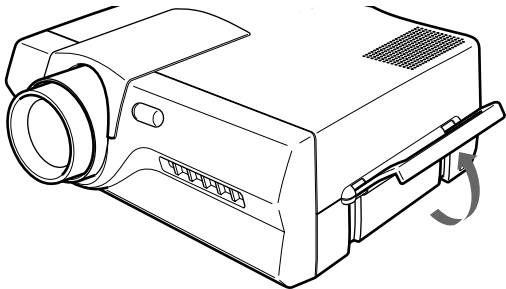
14 Panel de control

Para más información, consulte "Panel de control" en la página 11 (ES).

15 Cubierta del objetivo

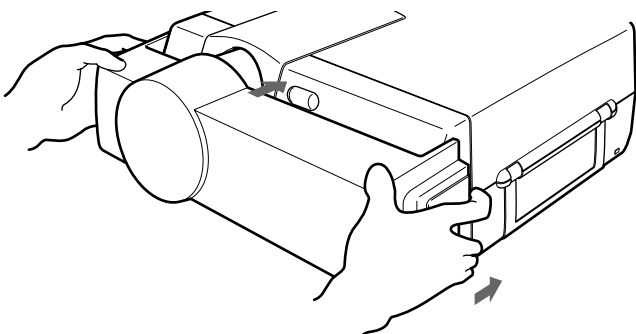
Cómo utilizar el asa de transporte

Tire del asa del proyector hacia arriba para transportarlo.



Cómo fijar la cubierta frontal

Fíjela en la parte frontal de la unidad tirando de los laterales derecho e izquierdo de dicha cubierta frontal.

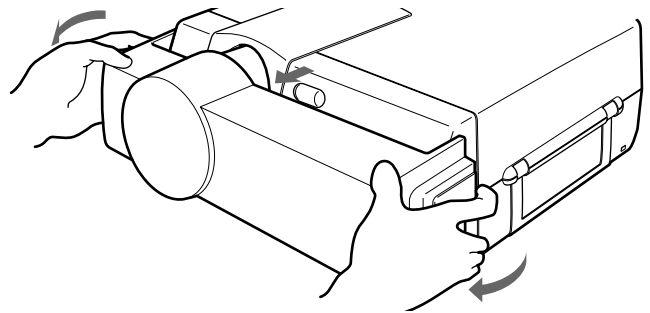


Notas

- No enchufe ni encienda el proyector si la cubierta frontal se encuentra fijada.
- No agarre el proyector por la cubierta frontal cuando lo transporte.

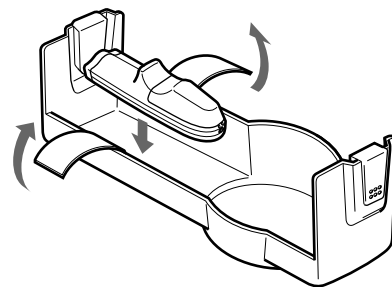
Cómo extraer la cubierta frontal

Extráigala de la parte frontal de la unidad tirando de los laterales derecho e izquierdo de dicha cubierta frontal.



Cómo instalar el mando a distancia en la cubierta frontal

Instale el mando a distancia en la parte posterior de la cubierta frontal y fíjelo con las cintas de velcro. Al encajar el mando a distancia, compruebe que el transmisor de rayos infrarrojos queda orientado hacia fuera y la parte posterior hacia arriba.



Nota

Ajuste el interruptor COMMAND ON/OFF del mando a distancia en OFF antes de instalar éste.

(Continúa)

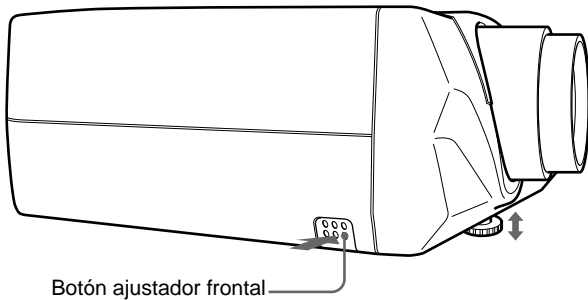
Ubicación y función de los controles

Cómo utilizar los ajustadores

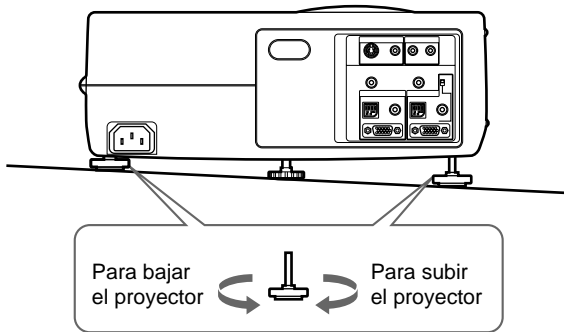
Mientras levanta el proyector, ajuste la altura de forma que éste se nivele.

Hay un ajustador en la parte frontal y dos en la parte posterior del proyector.

En cuanto al ajustador frontal, pulse el botón ajustador frontal mientras levanta el proyector para ajustar la altura. Gire el ajustador frontal para realizar ajustes precisos.



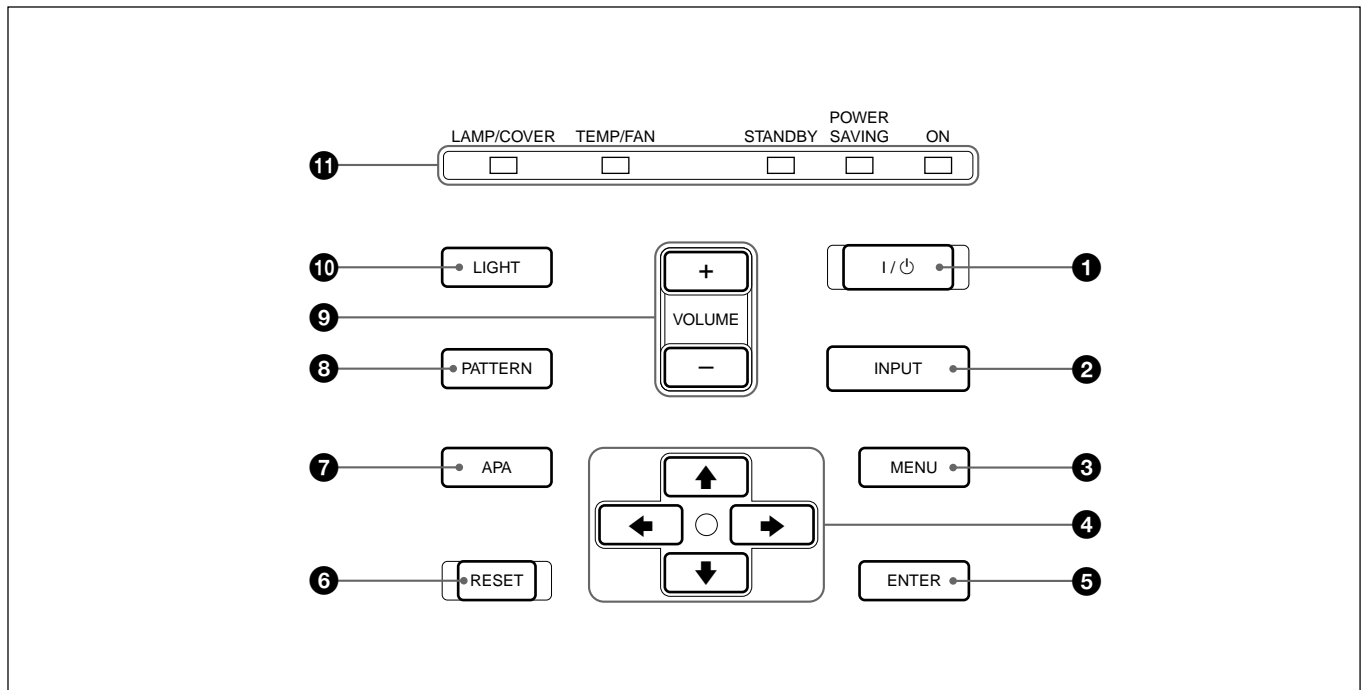
En cuanto a los ajustadores posteriores, gírelos para realizar el ajuste.



Notas

- Tenga cuidado para que el proyector no caiga sobre sus dedos.
- No empuje con fuerza sobre la parte superior del proyector estando los ajustadores fuera.
- No fuerce los ajustadores traseros al girarlos. Si lo hace, puede dañarlos.

Panel de control



1 Tecla I / ⏻ (encendido / espera)

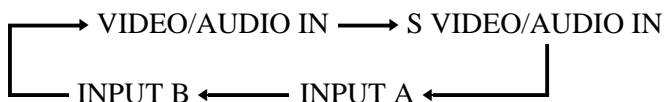
Enciende y apaga el proyector cuando éste se encuentra en el modo de espera. El indicador ON se ilumina en color verde al activar la alimentación.

Para desactivar la alimentación, pulse la tecla I / ⏻ dos veces a continuación del mensaje en pantalla, o pulse y mantenga pulsada la tecla durante un segundo aproximadamente.

Para obtener información detallada sobre los pasos para desactivar la alimentación, consulte "Para desactivar la alimentación" en la página 24 (ES).

2 Tecla INPUT

Selecciona la señal de entrada. Cada vez que pulse la tecla, la señal de entrada cambia de la siguiente forma (Si el interruptor de selección RGB IN/OUT está ajustado en OUT, no podrá seleccionar INPUT B.):



Nota sobre el modelo VPL-S900E

Es precisa la tarjeta opcional de interface IFB-X600E para las tomas VIDEO IN y AUDIO IN.

3 Tecla MENU

Muestra el menú en pantalla. Vuelva a pulsarla para que el menú desaparezca.

4 Teclas de flecha (↑/↓/←/→)

Se emplean para seleccionar el menú o para realizar ajustes.

5 Tecla ENTER

Introduce los ajustes de los elementos del sistema de menús.

6 Tecla RESET

Restaura el valor definido de fábrica de un elemento. Esta tecla funciona cuando el menú o un elemento de ajuste se muestra en pantalla.

7 Tecla APA (alineación automática de píxeles)

Ajusta imágenes para proyectarlas con la mayor nitidez posible de forma automática mientras se recibe una señal del ordenador.

8 Tecla PATTERN

Muestra en pantalla un patrón H para realizar ajustes de enfoque y de zoom. Vuelva a pulsarla para que el patrón desaparezca.

9 Teclas VOLUME +/-

Ajustan el volumen de los altavoces incorporados y el nivel de salida de las tomas AUDIO OUT.

+ : Aumenta el volumen.

- : Disminuye el volumen.

(Continúa)

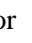
Ubicación y función de los controles

10 Tecla LIGHT


Activa la luz de fondo (naranja) de las teclas del panel de control al activar la alimentación. Vuelva a pulsarla para desactivar la luz de fondo.

11 Indicadores

ON: Se ilumina en color verde al activar la alimentación.

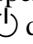
Parpadea en color verde mientras funciona el ventilador de enfriamiento después de desactivar la alimentación con la tecla I / . El ventilador funciona durante 90 segundos aproximadamente después de desactivar la alimentación.

El indicador ON parpadea rápidamente durante los primeros 30 segundos.

Durante este espacio de tiempo, no es posible volver a activar la alimentación con la tecla I / .

POWER SAVING: Se ilumina cuando el proyector se encuentra en el modo de ahorro de energía. Si AHORRO ENERGIA se ajusta en SI en el menú AJUSTE, el proyector entrará en el modo de ahorro de energía si no se introduce ninguna señal durante 10 minutos. Aunque se apague el indicador, el ventilador continúa funcionando. En el modo de ahorro de energía, no funciona ninguna tecla durante los primeros 30 segundos. El modo de ahorro de energía se cancela al recibirse una señal o al pulsar cualquier tecla.

STANDBY: Se ilumina en color rojo al enchufar el cable de alimentación de CA en la toma de corriente.

Una vez en el modo de espera, puede encender el proyector con la tecla I /  del mando a distancia o del panel de control.

TEMP (Temperatura)/FAN: Se ilumina o parpadea en las siguientes condiciones:

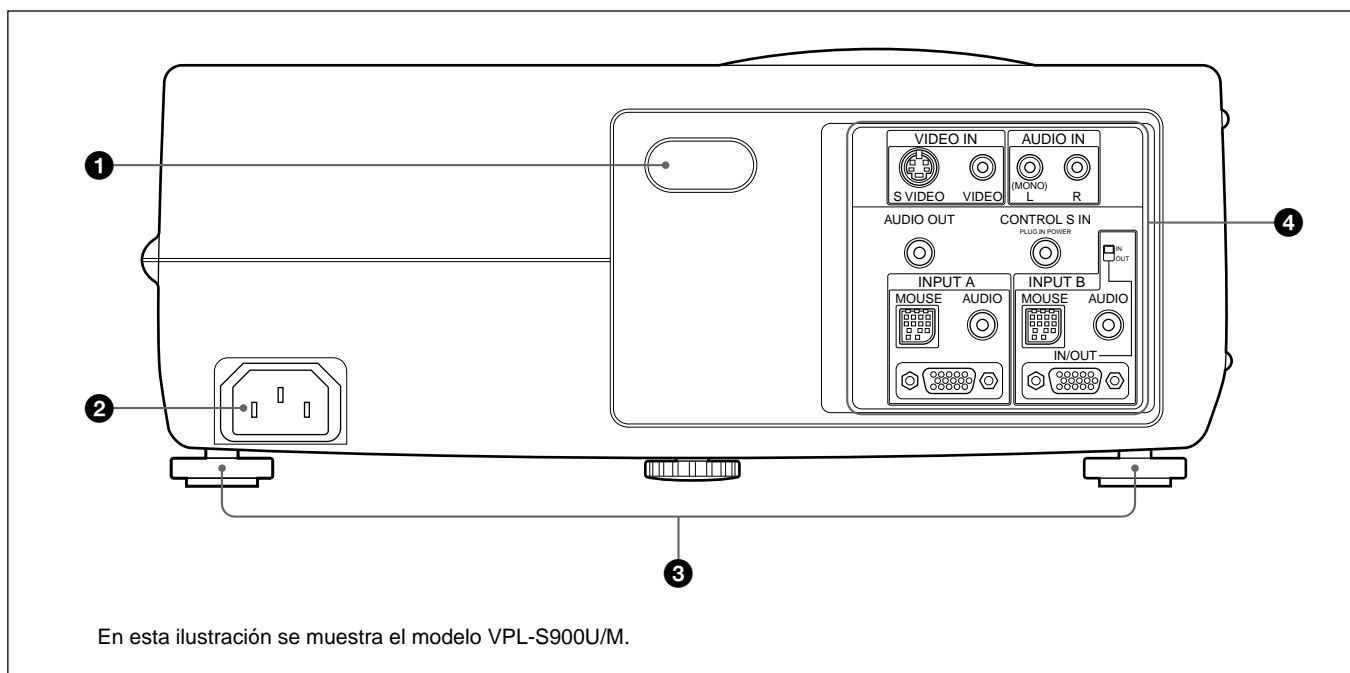
- Se ilumina si la temperatura del interior del proyector es anormalmente alta.
- Parpadea si el ventilador está roto.

LAMP/COVER: Se ilumina o parpadea en las siguientes condiciones:

- Se ilumina si la lámpara ha llegado al final de su duración.
- Parpadea si la cubierta de la lámpara o la del filtro de aire no está firmemente cerrada.

Para obtener información detallada sobre los indicadores LAMP/COVER y TEMP/FAN, consulte las páginas 40 (ES).

Parte posterior



❶ Detector posterior de control remoto

❷ Clavija AC IN

Permite conectar el cable de alimentación de CA suministrado.

❸ Ajustadores posteriores

Se emplean para nivelar el proyector si se instala sobre una superficie desnivelada.

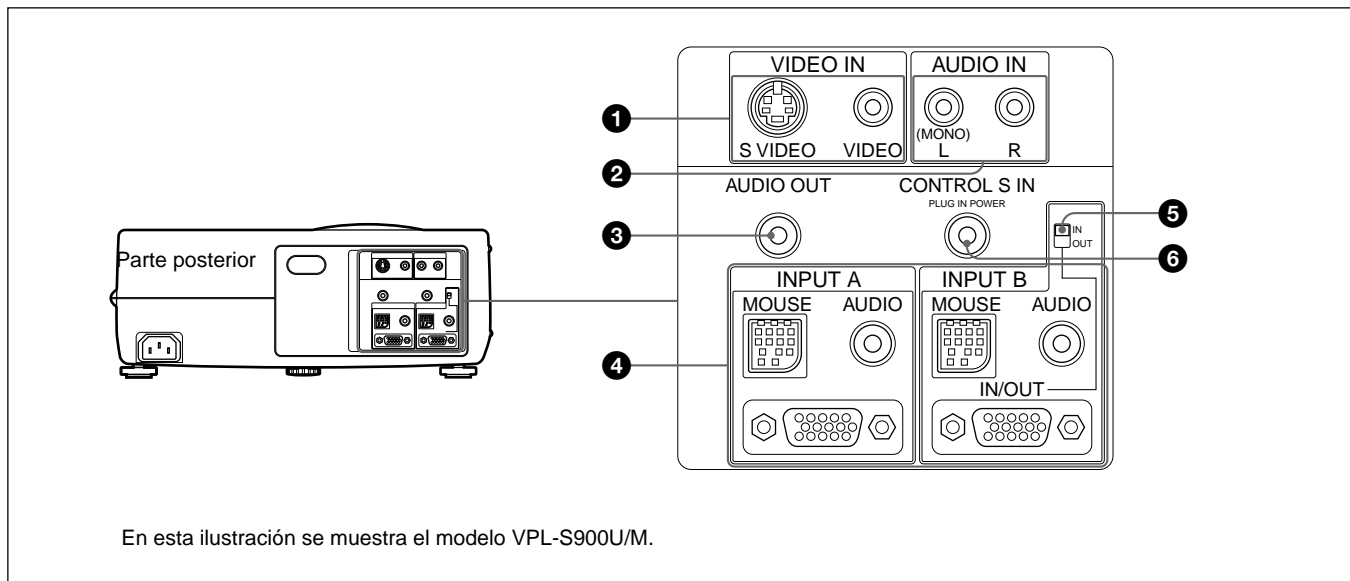
Para obtener información detallada sobre el empleo de los ajustadores, consulte "Cómo utilizar los ajustadores" en la página 10 (ES).

❹ Panel de conectores

Para obtener información detallada, consulte la página 14 (ES).

Ubicación y función de los controles

Panel de conectores



1 Tomas VIDEO IN

Permiten conectar un equipo de vídeo externo, como una videogradora.

S VIDEO (mini DIN de 4 pines): Se conecta a la salida de vídeo S (salida de vídeo Y/C) de un equipo de vídeo.

VIDEO (tipo fonográfico): Se conecta a la salida de vídeo compuesta de un equipo de vídeo.

2 Tomas AUDIO IN L (MONO)/R (tipo fonográfico)

Se conectan a la salida de audio de un equipo. Para equipos estéreo, emplee las tomas L y R; para equipos monofónicos, emplee sólo la toma L (MONO).

3 Toma AUDIO OUT (minitoma estéreo)

Se conecta a altavoces activos externos. El volumen de los altavoces puede controlarse mediante las teclas VOLUME del mando a distancia o del panel de control.

4 Conectores INPUT A/INPUT B

Se conectan a equipos externos, como un ordenador. Puede controlar la señal de ratón con el mando a distancia.

MOUSE (13 pines): Se conecta al puerto de ratón de un ordenador para controlar la función de ratón utilizando el cable de ratón suministrado.

AUDIO (minitoma estéreo): Se conecta a la salida de audio de un ordenador para introducir la señal de audio.

Entrada RGB (INPUT A)/RGB IN/OUT (INPUT B) (HD D sub de 15 pines, hembra):

Se conecta a la salida de monitor de un ordenador utilizando el cable suministrado. Al introducir una señal de componente o RGB de 15k, utilice el cable opcional.

En cuanto al conector RGB IN/OUT de INPUT B, puede utilizarlo como conector de salida mediante el uso del interruptor de selección RGB IN/OUT. Este conector envía la señal que se introduce mediante el conector de entrada RGB de INPUT A.

5 Interruptor de selección RGB IN/OUT

Conmuta la entrada/salida del conector RGB IN/OUT de INPUT B.

IN: Funciona como conector de entrada.

OUT: Funciona como conector de salida. El conector RGB IN/OUT envía la señal que se introduce mediante el conector de entrada RGB de INPUT A. El conector MOUSE y la toma AUDIO de INPUT B no funcionan con esta condición.

6 Toma CONTROL S IN/PLUG IN POWER (salida de CC 5 V, minitoma estéreo)

Se conecta a la toma CONTROL S OUT del mando a distancia suministrado con el cable de conexión estéreo (no suministrado) cuando se utiliza como mando con cable. No es necesario instalar las pilas, ya que la alimentación se suministra mediante esta toma. Es necesario emplear las pilas cuando se utiliza la función de puntero láser.

Nota sobre el modelo VPL-S900E

Es precisa la tarjeta opcional de interface IFB-X600E para las tomas VIDEO IN 1 y AUDIO IN 2.

Mando a distancia

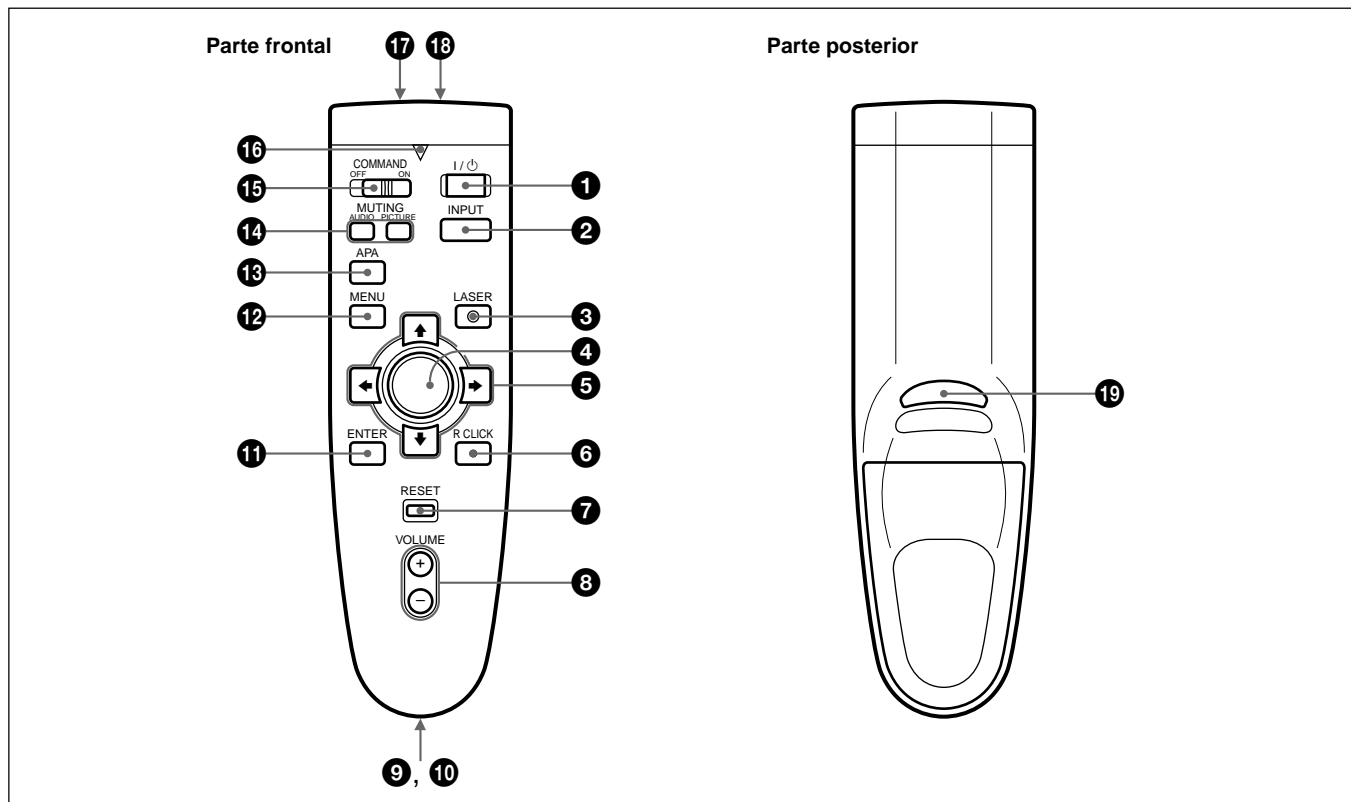
El mando a distancia puede utilizarse con o sin cable. Las teclas con los mismos nombres a las del panel de control funcionan igual.

Puede controlar con el mando a distancia un ordenador conectado.

Para obtener más información, consulte "Conexión con un ordenador" en la página 18 (ES).

Notas sobre el haz láser

- No mire al transmisor de láser.
- No oriente el láser hacia personas.



❶ Tecla I / $\text{\textcircled{P}}$

❷ Tecla INPUT

❸ Tecla LASER

Emite el haz láser desde el transmisor de láser al pulsar esta tecla.

❹ Mando universal

Funciona como el ratón de un ordenador conectado a la unidad.

❺ Teclas de flecha ($\uparrow/\downarrow/\leftarrow/\rightarrow$)

❻ Tecla R CLICK

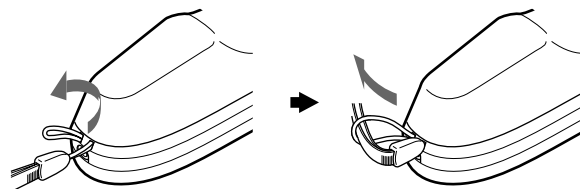
Funciona como el botón derecho de un ratón. Si se conecta a un ordenador Macintosh¹⁾, la tecla R CLICK funciona como un botón de ratón.

❼ Tecla RESET

❽ Teclas VOLUME +/-

❾ Compartimiento para el asa

Permite fijar el asa suministrada.



(Continúa)

1) Macintosh es una marca comercial registrada de Apple Computer, Inc.

Ubicación y función de los controles

10 Toma CONTROL S OUT (minitoma estéreo)

Se conecta a la toma CONTROL S IN del proyector con el cable de conexión (no suministrado) cuando el mando a distancia se utiliza con cable. En este caso, no es necesario instalar las pilas, ya que la alimentación se suministra mediante la toma CONTROL S IN del proyector.

11 Tecla ENTER

12 Tecla MENU

13 Tecla APA (alineación automática de píxeles)

14 Teclas MUTING

Desactivan la imagen y el sonido.

PICTURE: Desactiva la imagen. Vuelva a pulsarla para recuperar la imagen.

AUDIO: Desactiva el sonido de los altavoces y de la toma AUDIO OUT. Vuelva a pulsarla o pulse la tecla VOLUME + para recuperar el sonido.

15 Interruptor COMMAND ON/OFF

Si ajusta este interruptor en OFF, no funcionará ninguna tecla del mando a distancia. De esta forma, se ahorra la energía de las pilas.

16 Indicador de transmisión

Se ilumina al pulsar alguna tecla del mando a distancia.

Este indicador no se ilumina cuando utilice el puntero láser.

17 Transmisor de rayos infrarrojos

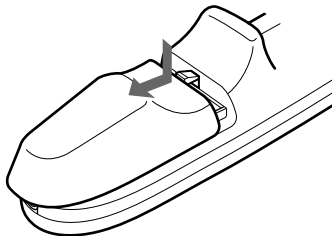
18 Transmisor de láser

19 Tecla L CLICK

Funciona como el botón izquierdo de un ratón. Si se conecta a un ordenador Macintosh, la tecla L CLICK funcionará como un botón de ratón.

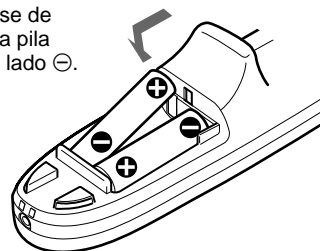
Instalación de las pilas

1 Empuje y deslice la tapa para abrirla.



2 Instale dos pilas tamaño AA (R6) (suministradas) con la polaridad correcta.

Asegúrese de instalar la pila desde el lado ⊖.



3 Vuelva a colocar la tapa.

Notas sobre las pilas

- Asegúrese de que la orientación de las pilas es correcta al insertarlas.
- No mezcle pilas usadas con nuevas, ni diferentes tipos de pilas.
- Si no va a utilizar el mando a distancia durante mucho tiempo, extraiga las pilas para evitar daños por fugas. Si se producen fugas, extraiga las pilas, seque el compartimiento de éstas y sustituya las pilas por otras nuevas.

Notas sobre el funcionamiento del mando a distancia sin cable

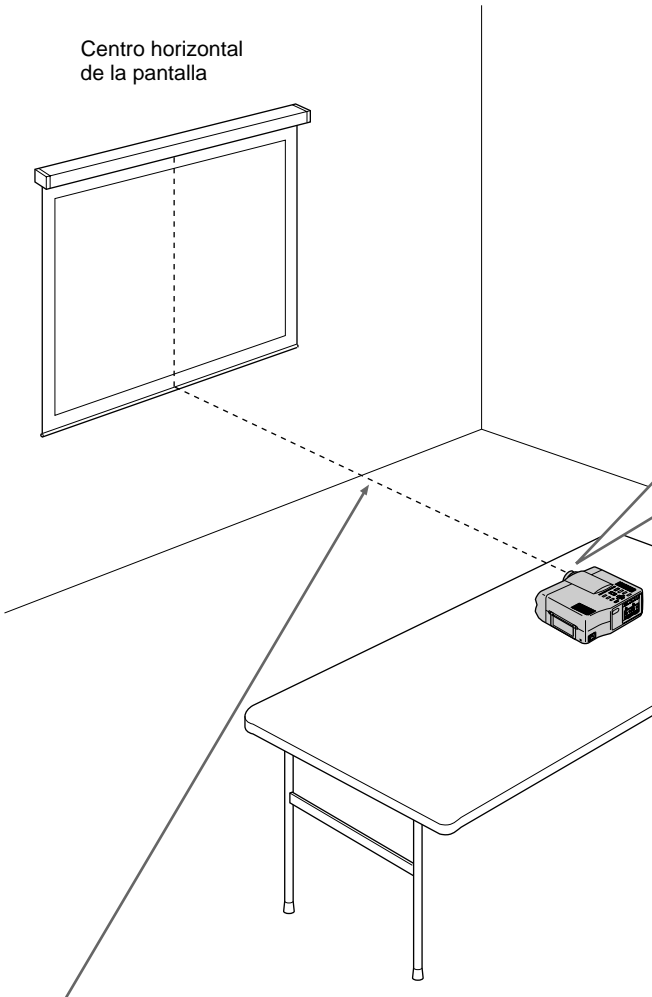
- Compruebe que no haya nada que obstruya el haz de rayos infrarrojos entre el mando a distancia y el detector de control remoto del proyector.
- El margen de operación está limitado. Cuanto menor sea la distancia entre el mando a distancia y el proyector, mayor será el ángulo de control del mando a distancia sobre el proyector.
- Los detectores de control remoto del proyector no funcionarán si el cable de conexión (no suministrado) está conectado al proyector. Cuando utilice el mando a distancia sin cable, desconecte el cable de conexión del mando a distancia y del proyector.

Nota sobre el funcionamiento del mando a distancia con cable

La función de puntero láser no se activará si utiliza el mando a distancia con cable sin pilas.

Instalación del proyector

En esta sección se describe cómo instalar el proyector sobre una mesa. Para instalarlo en el techo, consulte con personal Sony especializado (consulte la página 35 (ES)).



Centro horizontal de la pantalla

La distancia entre el objetivo y la pantalla varía en función del tamaño de ésta. Emplee la siguiente tabla como referencia.

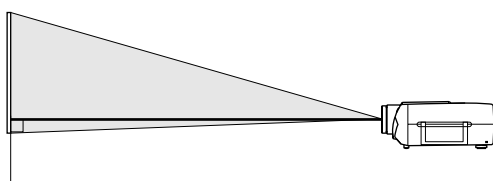
En la siguiente tabla se muestra la distancia de proyección al introducirse la señal SVGA (horizontal 800 x vertical 600 puntos).

- Si se introduce la señal XGA/SXGA, la distancia de proyección se reducirá en 1,6%.
- Si se introduce la señal de modo Macintosh de 16 pulgadas o HDTV, la distancia de proyección se reducirá en 4%.

Ajuste la posición vertical y horizontal del proyector.

Posición vertical (vista lateral)

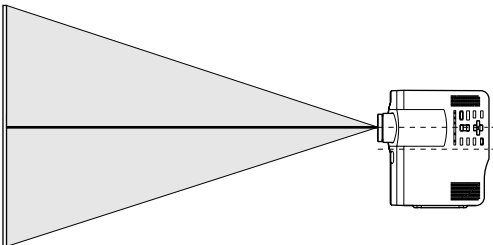
Pantalla



Ajuste la altura del proyector de forma que el centro del objetivo quede justo sobre el borde inferior de la pantalla.

Posición horizontal (vista superior)

Pantalla



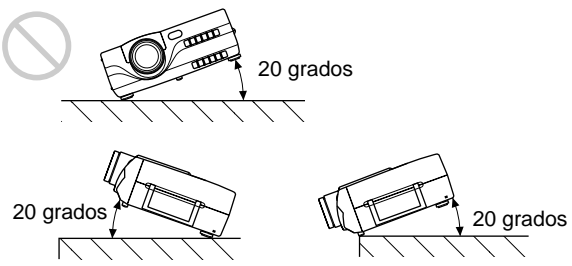
Centro del objetivo
57,5 mm
(2 3/8 pulgadas)
Centro de la unidad

Ajuste la posición horizontal del proyector de forma que el objetivo quede alineado con el centro horizontal de la pantalla.

Nota

Instale el proyector de forma que quede nivelado. Evite lo siguiente, ya que pueden producirse fallos de funcionamiento.

- El proyector se vuelva sobre su lateral.
- El proyector se inclina más de 20 grados.



		Unidad: m (pies)										
Tamaño de la pantalla (pulgadas)		40	60	80	100	120	150	180	200	250	300	
Distancia	Mínima	1,6 (5,2)	2,4 (7,9)	3,2 (10,6)	4,1 (13,4)	4,9 (16,1)	6,2 (20,2)	7,4 (24,3)	8,2 (27,0)	10,3 (33,9)	12,4 (40,7)	
	Máxima	2,0 (6,6)	3,0 (10,0)	4,1 (13,4)	5,1 (16,8)	6,2 (20,3)	7,8 (25,4)	9,3 (30,5)	10,4 (34,0)	13,0 (42,6)	15,6 (51,1)	

Para obtener información detallada sobre las medidas de instalación, consulte la página 34 (ES).

Nota sobre el modelo VPL-S900E

Es precisa la tarjeta opcional de interface IFB-X900E para las tomas VIDEO IN y AUDIO IN.

Conexión con un ordenador

En esta sección se describe cómo conectar el proyector con un ordenador. Para obtener información detallada sobre cómo conectar una videograbadora u otro equipo, consulte la página 20 (ES).

Si conecta el proyector a un ordenador, podrá controlar el ratón de éste mediante el mando a distancia. Las teclas R/L CLICK y el “mando universal” funcionan de la siguiente forma.

Nota

Compruebe que no haya nada que obstruya el haz de rayos infrarrojos entre el mando a distancia y el detector de control remoto del proyector.

Tecla y mando universal	Función	
	IBM PC/AT ^{a)} compatible, serie	Macintosh
R CLICK (parte frontal)	Botón derecho	Botón de ratón
L CLICK (parte posterior)	Botón izquierdo	Botón de ratón
Mando universal	Se corresponde con los movimientos del ratón	

a) IBM PC/AT es una marca comercial registrada de International Business Machines Corporation, EE.UU.

Consulte también el manual de instrucciones del equipo que vaya a conectar.

Notas

- Esta unidad acepta señales VGA, SVGA, XGA y SXGA. No obstante, se recomienda ajustar el modo de salida del ordenador en el modo SVGA para el monitor externo. (Para ordenadores Macintosh, ajuste el modo de salida en el de 16 pulgadas.)
- Si ajusta el ordenador (como uno portátil tipo IBM PC/AT compatible) para que envíe la señal a la pantalla del mismo y al monitor externo, la imagen de éste puede no aparecer correctamente. En tal caso, ajuste el modo de salida del ordenador para que envíe la señal sólo al monitor externo.

Para más información, consulte el manual de instrucciones suministrado con el ordenador.

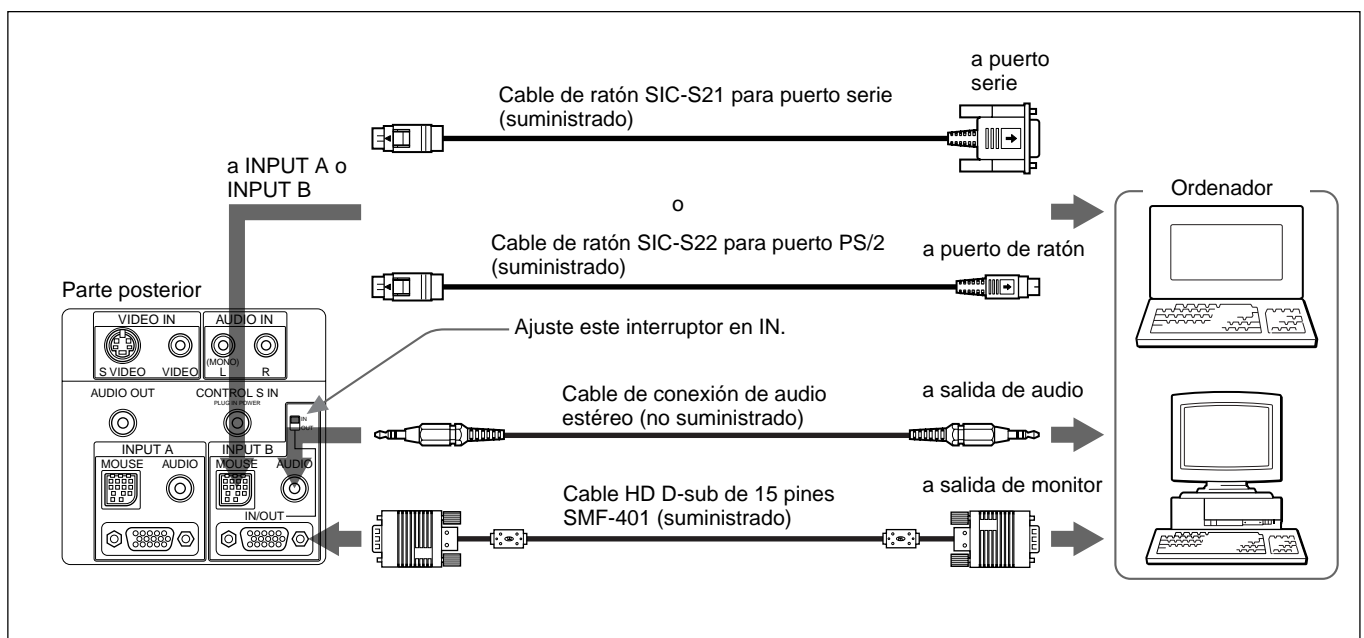
Al realizar conexiones, asegúrese de:

- apagar todos los equipos antes de realizar cualquier conexión.
- utilizar los cables adecuados para cada conexión.
- insertar los enchufes de los cables correctamente. Si no inserta los enchufes por completo, puede producirse ruido. Para desconectar un cable, asegúrese de tirar del enchufe, no del propio cable.

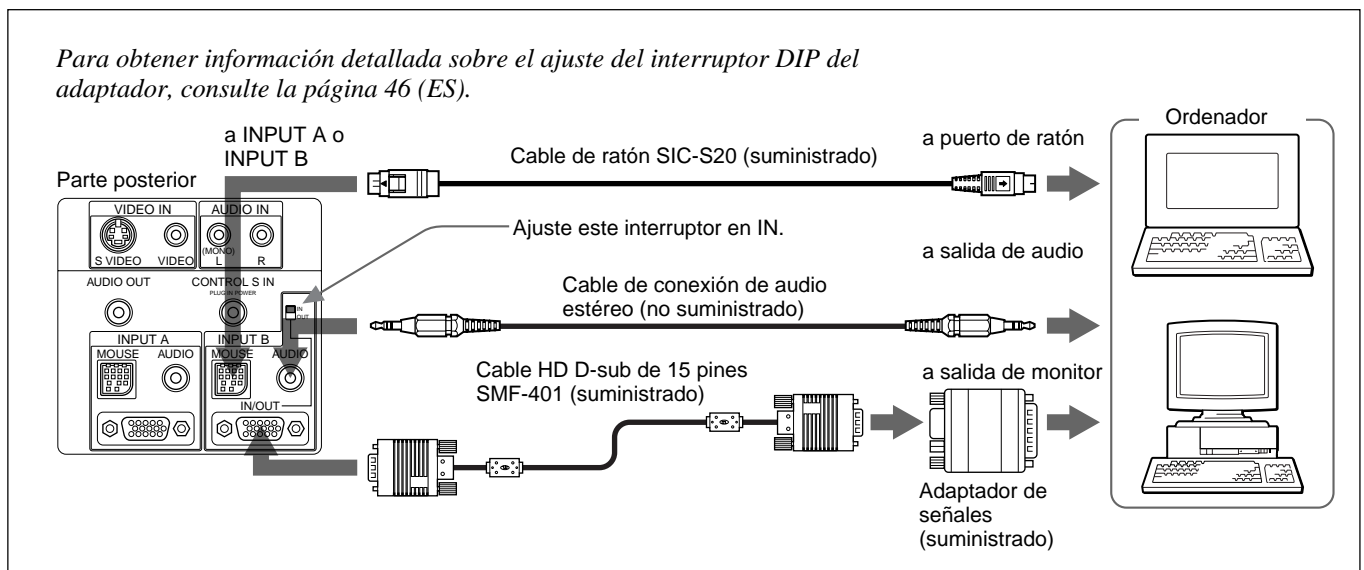
Notas

- Conecte todos los cables de conexión al conector INPUT A si introduce la señal desde dicho conector. Igualmente, conecte todos los cables al conector INPUT B si introduce la señal desde dicho conector.
- Al realizar la conexión a INPUT B, compruebe que el interruptor de selección RGB IN/OUT esté ajustado en IN.
- Es posible que el cable de ratón suministrado no funcione correctamente en función del ordenador.

Si se conecta con un ordenador compatible IBM PC/AT



Si se conecta con un ordenador Macintosh



Conexión con una videograbadora o equipo RGB de 15k/componente

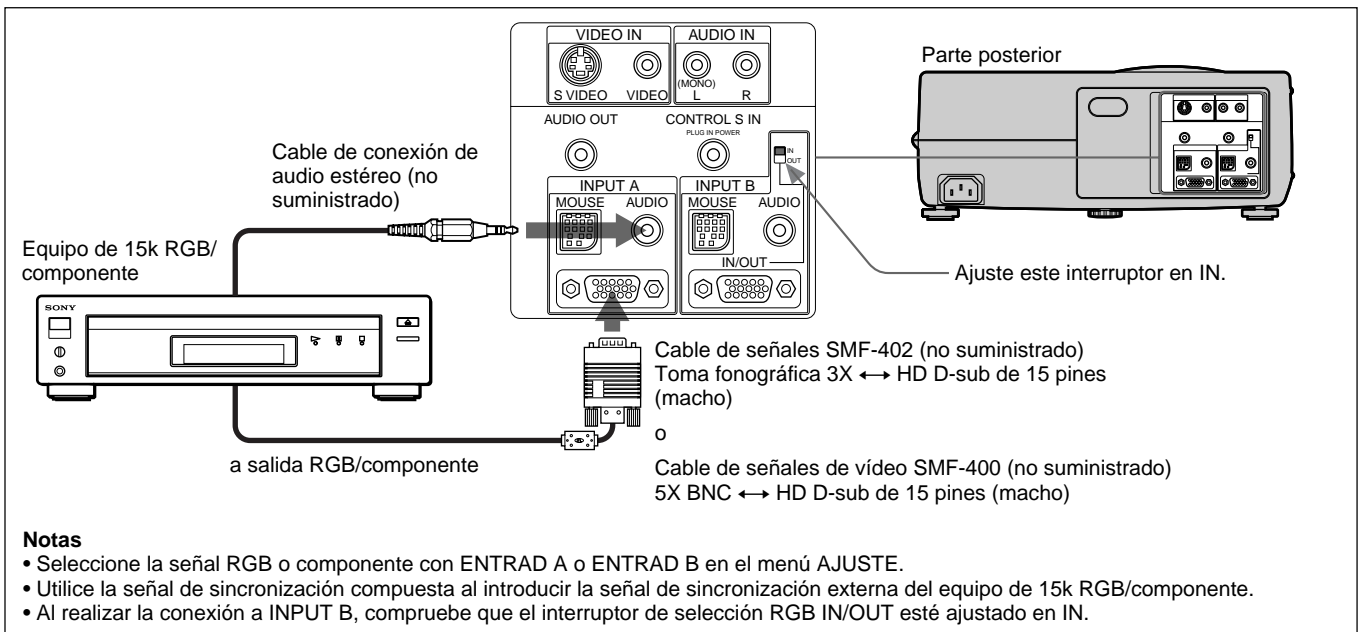
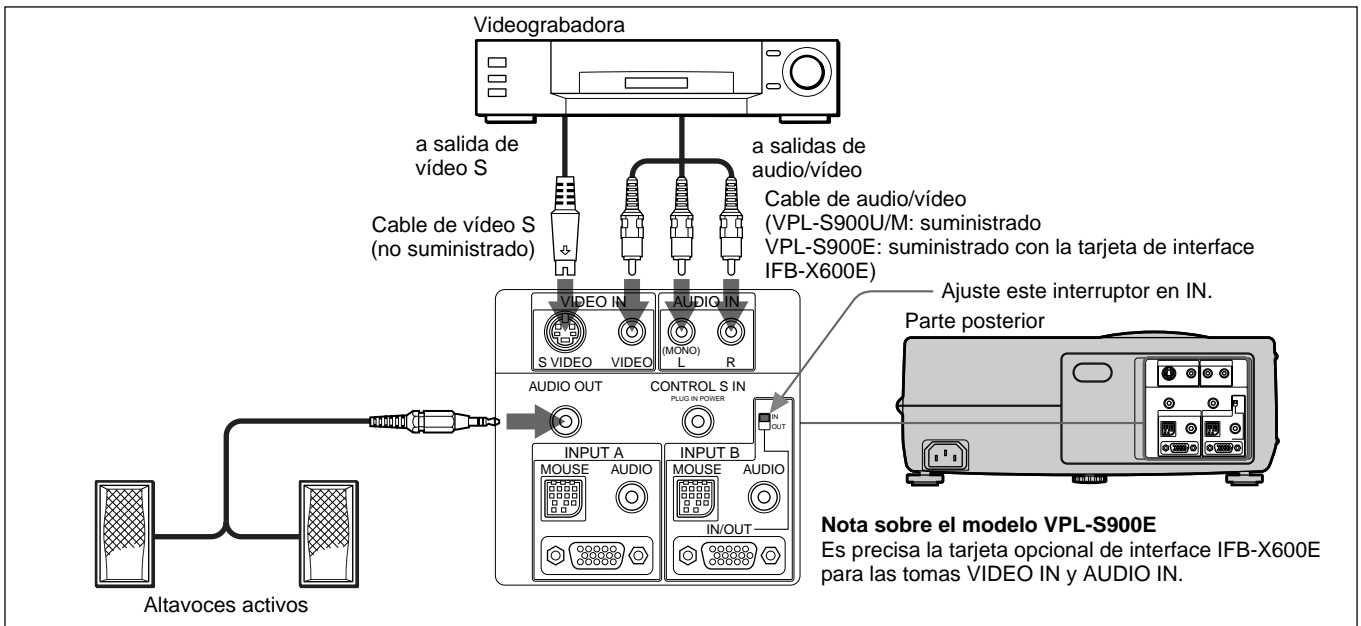
En esta sección se describe cómo conectar el proyector con una videograbadora, altavoces activos externos y un equipo RGB de 15k/componente.

Para obtener información detallada sobre cómo conectar un ordenador, consulte la página 18 (ES).

Consulte también los manuales de instrucciones del equipo que vaya a conectar.

Al realizar conexiones, asegúrese de:

- apagar todos los equipos antes de realizar cualquier conexión.
- utilizar cables adecuados para cada conexión.
- insertar los enchufes de los cables correctamente. Si no inserta los enchufes por completo, puede producirse ruido. Para desconectar un cable, asegúrese de tirar del enchufe, no del propio cable.

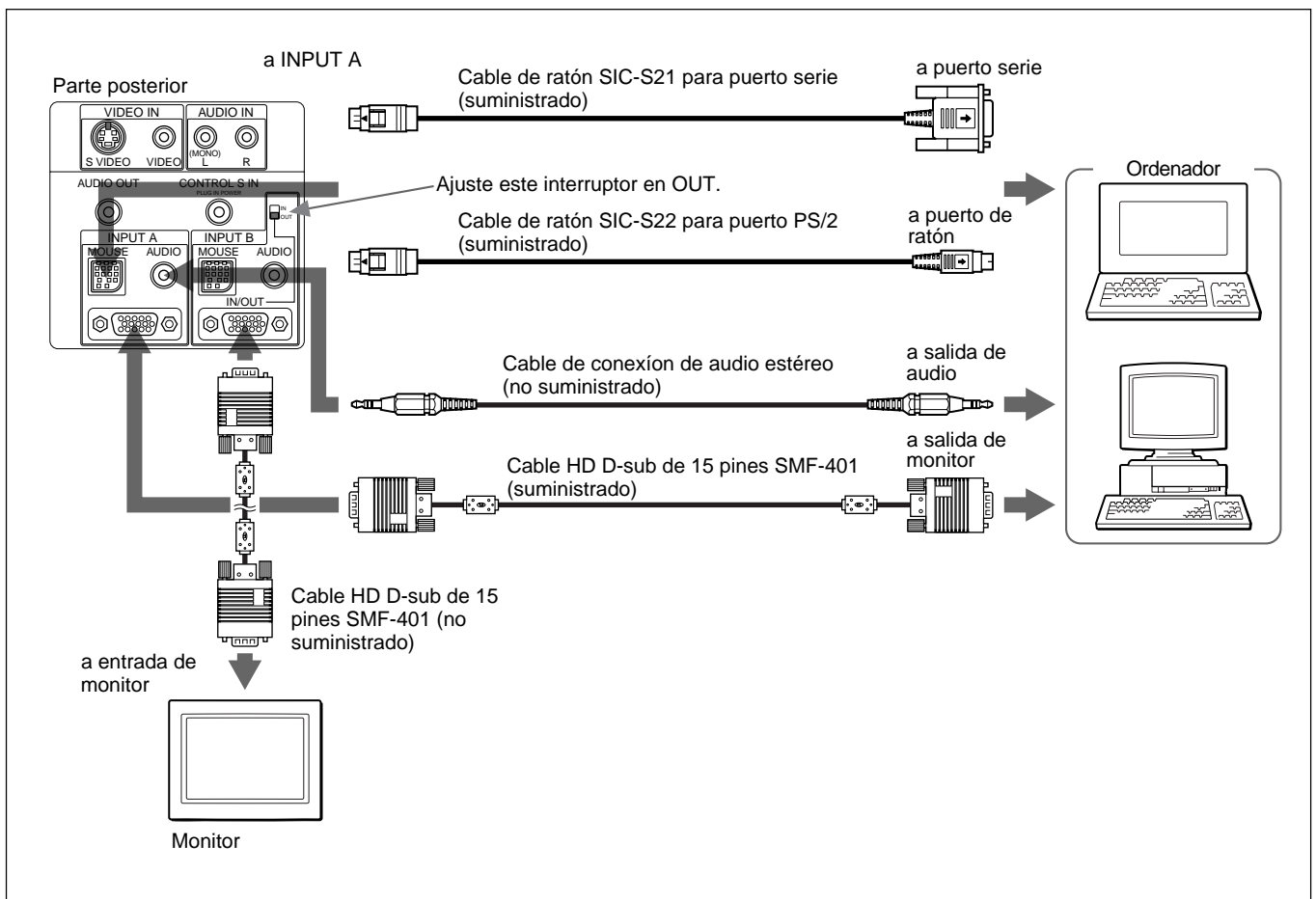


Uso del conector RGB IN/OUT de INPUT B como conector de salida de monitor

En esta sección se describen las conexiones al utilizar el conector RGB IN/OUT de INPUT B como conector de salida de monitor.

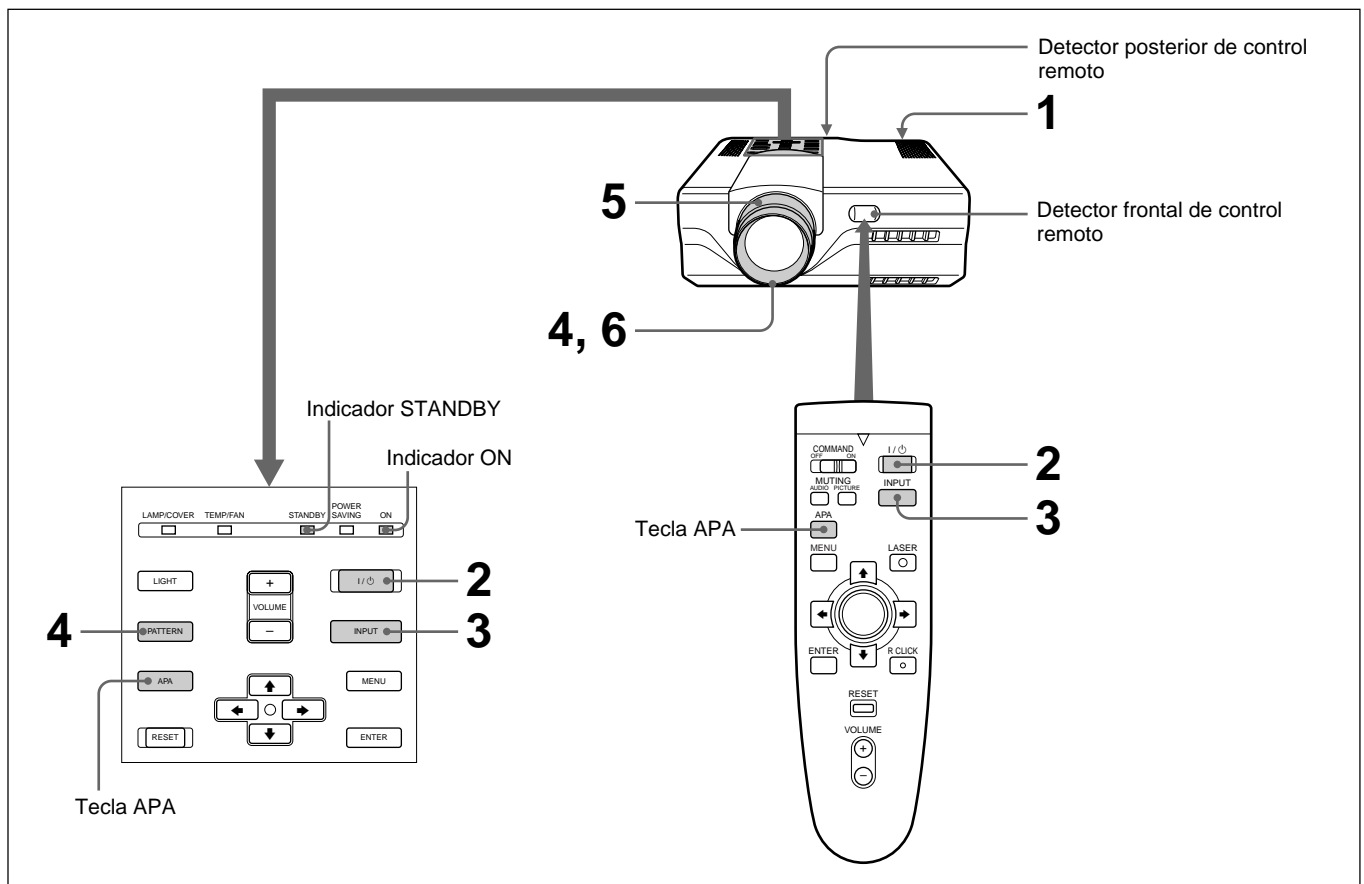
Al realizar conexiones, asegúrese de:

- apagar todos los equipos antes de realizar cualquier conexión.
- utilizar cables adecuados para cada conexión.
- insertar los enchufes de los cables correctamente. Si no inserta los enchufes por completo, puede producirse ruido. Para desconectar un cable, asegúrese de tirar del enchufe, no del propio cable.
- Compruebe que el interruptor de selección RGB IN/OUT esté ajustado en OUT.



Nota

Si el interruptor de selección RGB IN/OUT está ajustado en OUT, el conector MOUSE y la toma AUDIO de INPUT B no funcionarán.



1 Una vez conectados todos los equipos por completo, enchufe el cable de alimentación de CA en la toma de corriente.

El indicador STANDBY se ilumina en color rojo y el proyector entra en el modo de espera.

2 Pulse la tecla I / $\text{\textcircled{P}}$ del mando a distancia o del panel de control.

El indicador ON se ilumina en color verde.

3 Encienda el equipo conectado al proyector. Pulse la tecla INPUT del mando a distancia o del panel de control para seleccionar la fuente de entrada.

INPUT A: Selecciona las señales de audio y vídeo introducidas desde el conector INPUT A.

INPUT B: Selecciona las señales de audio y vídeo introducidas desde el conector INPUT B.

VIDEO: Selecciona las señales de audio y vídeo introducidas desde las tomas AUDIO IN/VIDEO (VIDEO IN).

S VIDEO: Selecciona las señales de audio y vídeo introducidas desde las tomas AUDIO IN/S VIDEO (VIDEO IN).

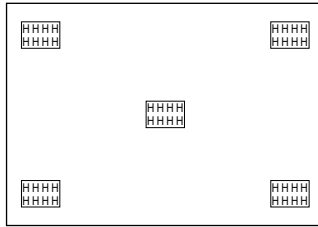
Nota

Las tomas AUDIO IN se utilizan como salidas de audio de VIDEO y S VIDEO.

Nota sobre el modelo VPL-S900E

Es precisa la tarjeta opcional de interface IFB-X600E para seleccionar VIDEO.

- 4** Pulse la tecla PATTERN del panel de control para que aparezca el patrón H, y gire el anillo de enfoque para ajustar el enfoque.



Vuelva a pulsar la tecla PATTERN para que el patrón desaparezca.

- 5** Gire el anillo de zoom para ajustar el tamaño de la imagen.
- 6** Vuelva a girar el anillo de enfoque para ajustar el enfoque.

Nota

No mire al objetivo cuando la lámpara del proyector esté encendida.

Para	Pulse
Ajustar el volumen	las teclas VOLUME +/- del panel de control o del mando a distancia.
Desactivar el sonido	la tecla AUDIO MUTING del mando a distancia. Para recuperar el sonido, vuelva a pulsar la tecla AUDIO MUTING o pulse la tecla VOLUME +.
Desactivar la imagen	la tecla PICTURE MUTING del mando a distancia. Para recuperar la imagen, vuelva a pulsar la tecla PICTURE MUTING.

Para obtener la imagen más nítida posible

Es posible obtener imágenes con la calidad adecuada al introducirse una señal desde el ordenador.

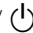
Pulse la tecla APA del mando a distancia o del panel de control. La imagen se ajusta automáticamente para proyectarse con nitidez.

Notas

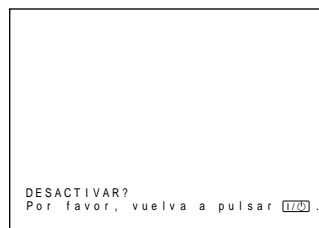
- Ajuste la señal si muestra una imagen fija en pantalla.
- Si cambia la señal de entrada o vuelve a conectar un ordenador, vuelva a pulsar la tecla APA para obtener la imagen apropiada.
- La pantalla muestra "AJUSTANDO". Vuelva a pulsar la tecla APA durante el ajuste para recuperar la pantalla original.
- La pantalla muestra "Completado." cuando la imagen se ha ajustado adecuadamente. Es posible que la imagen no se ajuste apropiadamente en función de los tipos de señales de entrada.
- Ajuste FASE PUNTO en el menú AJUS ENTRAD si ajusta la imagen manualmente.

Para obtener información detallada sobre FASE PUNTO, consulte la página 29 (ES).

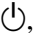
Para desactivar la alimentación

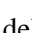
- 1** Pulse la tecla I /  del mando a distancia o del panel de control.

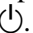
Aparecerá el siguiente mensaje para confirmar si desea desactivar la alimentación.



Nota


El mensaje desaparecerá si pulsa cualquier tecla, excepto I / , o si no pulsa ninguna durante cinco segundos.

- 2** Vuelva a pulsar la tecla I /  del mando a distancia o del panel de control.

El indicador ON parpadea en color verde y el ventilador sigue en funcionamiento durante unos 90 segundos para reducir el recalentamiento interno. Además, el indicador ON parpadea rápidamente durante los primeros 30 segundos. Durante este espacio de tiempo, no será posible volver a activar la alimentación con la tecla I / .

-
- 3** Desenchufe el cable de alimentación de CA de la toma de corriente una vez que el ventilador se haya detenido y que el indicador STANDBY se ilumine en color rojo.

Si no puede confirmar el mensaje en pantalla

Si no puede confirmar el mensaje en pantalla en una determinada condición, puede desactivar la alimentación manteniendo pulsada la tecla I /  del mando a distancia o del panel de control durante aproximadamente un segundo.

Nota

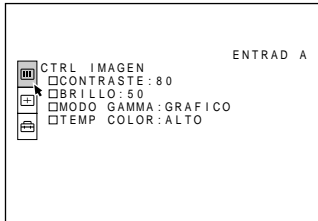
No desenchufe el cable de alimentación de CA mientras el ventilador se encuentre en funcionamiento, ya que en caso contrario, dicho ventilador se detendrá aunque el recalentamiento interno sea alto, pudiendo producirse averías en el proyector.

Uso del MENU

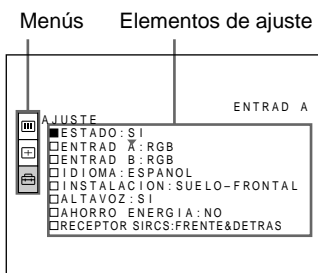
El proyector está equipado con un menú en pantalla para realizar diversos ajustes.

Para seleccionar el idioma empleado en el menú, consulte la página 33 (ES).

- 1 Pulse la tecla MENU.
Aparece la pantalla de menú.
El menú actualmente seleccionado aparece resaltado en color azul.



- 2 Emplee la tecla \uparrow o \downarrow para seleccionar un menú y, a continuación, pulse la tecla \rightarrow o ENTER.
Aparece el menú seleccionado.



- 3 Realice los ajustes de un elemento.
Para obtener información detallada sobre el ajuste de elementos por separado, consulte las páginas del menú correspondiente.

Para que la pantalla de menú desaparezca

Pulse la tecla MENU.

La pantalla de menú desaparecerá automáticamente si no pulsa ninguna tecla durante un minuto.

Para recuperar los valores ajustados de fábrica de elementos ya ajustados

Pulse la tecla RESET.

La pantalla muestra “Completado.” y los ajustes que aparecen en pantalla recuperarán los valores ajustados de fábrica.

Los elementos que pueden restaurarse son:

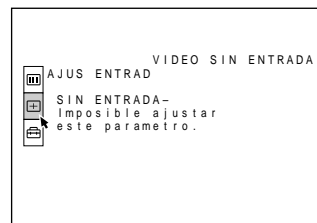
- “CONTRASTE”, “BRILLO”, “COLOR”, “TONALIDAD” y “NITIDEZ” del menú CTRL IMAGEN.
- “FASE PUNTO”, “TAMANO” y “DESPLAZ” en el menú AJUS ENTRAD.

Acerca de la memoria de los ajustes

Los ajustes se almacenan automáticamente en la memoria del proyector.

Si no se introduce ninguna señal

Si no hay ninguna señal de entrada, la pantalla mostrará “SIN ENTRADA-Imposible ajustar este parámetro”, y no será posible ajustar los elementos.



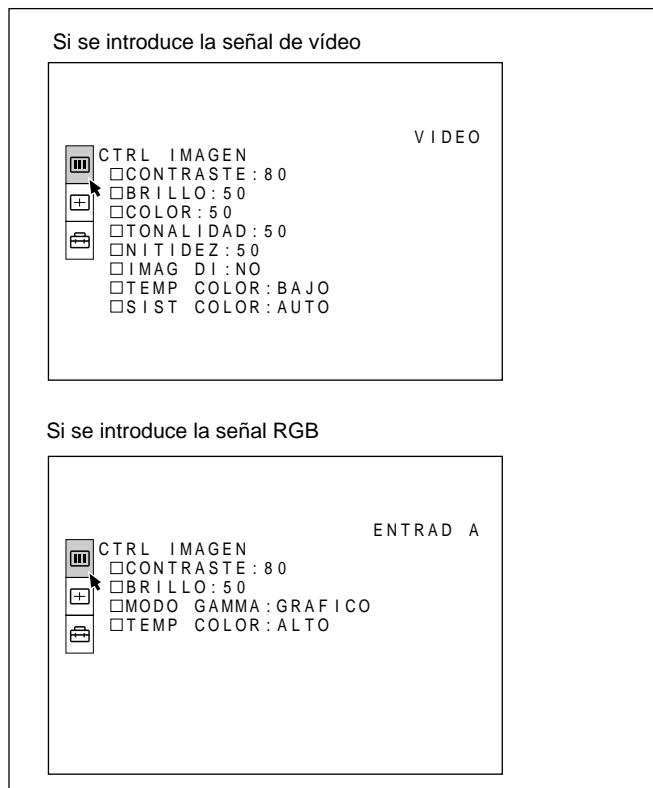
Menú CTRL IMAGEN

El menú CTRL IMAGEN se utiliza para ajustar la imagen.

Los elementos que no pueden ajustarse en función de la señal de entrada no aparecen en el menú.

Nota sobre el modelo VPL-S900E

Es precisa la tarjeta opcional de interface IFB-X600E para introducir la señal de vídeo. Si no instala la tarjeta de vídeo en la unidad, no es posible seleccionar la señal de vídeo.



Operación

1. Seleccione un elemento

Emplee la tecla \uparrow o \downarrow para seleccionar el elemento y, a continuación, pulse la tecla \rightarrow o ENTER.

2. Ajuste un elemento

- Al cambiar el nivel de ajuste:
 - Para que el número aumente, pulse la tecla \uparrow o \rightarrow .
 - Para que el número disminuya, pulse la tecla \downarrow o \leftarrow .
 - Pulse la tecla ENTER para recuperar la pantalla original.
- Al cambiar el ajuste:
 - Pulse la tecla \uparrow o \downarrow para cambiar el ajuste.
 - Pulse la tecla ENTER o \leftarrow para recuperar la pantalla original.

CONTRASTE

Ajusta el contraste de la imagen.



Cuanto mayor sea el ajuste, mayor será el contraste.
Cuanto menor sea el ajuste, menor será el contraste.

BRILLO

Ajusta el brillo de la imagen.



Cuanto mayor sea el ajuste, mayor será el brillo.
Cuanto menor sea el ajuste, menor será el brillo.

COLOR

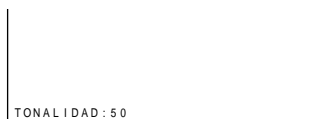
Ajusta la intensidad del color.



Cuanto mayor sea el ajuste, mayor será la intensidad.
Cuanto menor sea el ajuste, menor será la intensidad.

TONALIDAD

Ajusta los tonos de la piel.



Cuanto mayor es el ajuste, la imagen adquiere un tono verdoso.

Cuanto menor es el ajuste, la imagen adquiere un tono púrpura.

(Continúa)

Menú CTRL IMAGEN

NITIDEZ

Ajusta la nitidez de la imagen.

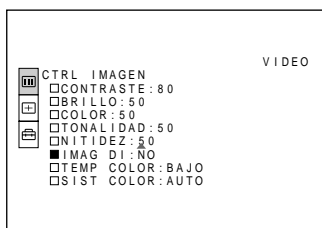


Cuanto mayor sea el ajuste, mayor será la nitidez de la imagen.

Cuanto menor sea el ajuste, la imagen aparecerá con mayor suavidad.

IMAG DI (dinámica)

Enfatiza el color negro.



SI: Enfatiza el color negro para producir imágenes “dinámicas” y marcadas.

NO: Reproduce con precisión las partes oscuras de la imagen, de acuerdo con la señal fuente.

MODO GAMMA

Selecciona una curva de corrección gamma.

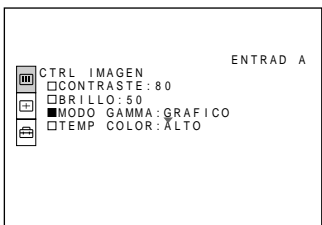
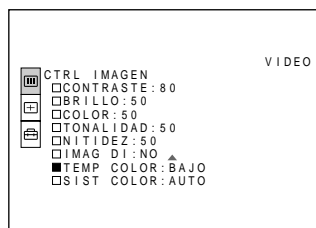


GRAFICO: Mejora la reproducción de tonos medios. Es posible reproducir fotografías en tonos naturales.

TEXTO: Contrasta el blanco y el negro. Resulta adecuado para imágenes que contengan mucho texto.

TEMP COLOR

Ajusta la temperatura del color.

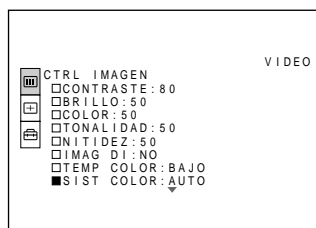


ALTO: Hace que el color blanco adquiera un tono azulado.

BAJO: Hace que el color blanco adquiera un tono rojizo.

SIST (sistema) COLOR

Selecciona el sistema de color de la señal de entrada.



Normalmente, ajústelo en AUTO.

Si la imagen se distorsiona o aparece sin color, seleccione el sistema de color en función de la señal de entrada.

Señales de entrada y elementos de ajuste/ajustables

Elemento	Señal de entrada			
	Vídeo o vídeo S (Y/C)	Compo-nente	RGB	Blanco y negro
CONTRASTE	●	●	●	●
BRILLO	●	●	●	●
COLOR	●	●	–	–
TONALIDAD	● <small>(sólo NTSC3.58/4.43)</small>	–	–	–
NITIDEZ	●	●	–	●
IMAG DI	●	●	–	●
MODO GAMMA	–	–	●	–
TEMP COLOR	●	●	●	●
SIST COLOR	●	–	–	●

● : Ajustable/puede ajustarse

– : No ajustable/no puede ajustarse

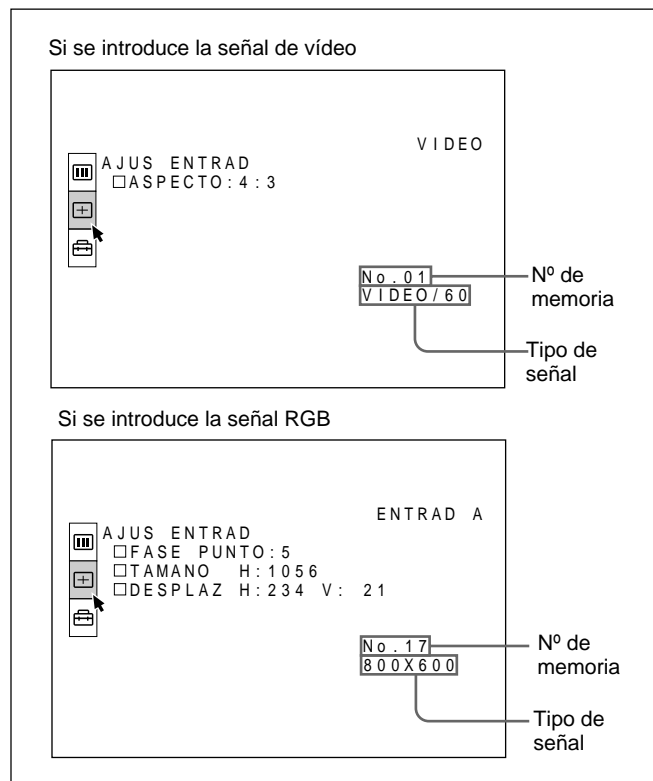
Menú AJUS ENTRAD

El menú AJUS ENTRAD se utiliza para ajustar la señal de entrada.

Los elementos que no pueden ajustarse en función de la señal de entrada no aparecen en el menú.

Nota sobre el modelo VPL-S900E

Es precisa la tarjeta opcional de interface IFB-X600E para introducir la señal de vídeo. Si no instala la tarjeta de vídeo en la unidad, no es posible seleccionar la señal de vídeo.



Operación

1. Seleccione un elemento

Utilice la tecla \uparrow o \downarrow para seleccionar el elemento y, a continuación, pulse la tecla \rightarrow o ENTER.

2. Ajuste un elemento

- Al cambiar el nivel de ajuste:
 - Para que el número aumente, pulse la tecla \uparrow o \rightarrow .
 - Para que el número disminuya, pulse la tecla \downarrow o \leftarrow .
 - Pulse la tecla ENTER para recuperar la pantalla original.
- Al cambiar el ajuste:
 - Pulse la tecla \uparrow o \downarrow para cambiar el ajuste.
 - Pulse la tecla ENTER o \leftarrow para recuperar la pantalla original.

Nota

Si se introduce la señal HDTV, los elementos del menú AJUS ENTRAD no podrán ajustarse.

FASE PUNTO

Ajusta la fase de puntos del panel LCD y la señal introducida desde los conectores INPUT A/B. Ajuste la imagen con mayor precisión una vez ajustada con la tecla APA.

Ajuste la imagen donde aparezca con mayor nitidez.



TAMANO

Ajusta el tamaño horizontal de la imagen introducida desde los conectores INPUT A/B.



Cuanto mayor sea el ajuste, mayor será el tamaño horizontal de la imagen.

Cuanto menor sea el ajuste, menor será el tamaño horizontal de la imagen. Ajuste el parámetro en función de los puntos de la señal de entrada. Para obtener información detallada sobre el valor adecuado para las señales predeterminadas, consulte la página 31 (ES).

DESPLAZ

Ajusta la posición de la imagen introducida desde los conectores INPUT A/B.



H ajusta la posición horizontal de la imagen.

V ajusta la posición vertical de la imagen.

Al aumentar el ajuste de H, la imagen se desplazará a la derecha, mientras que al disminuir, la imagen se desplazará a la izquierda.

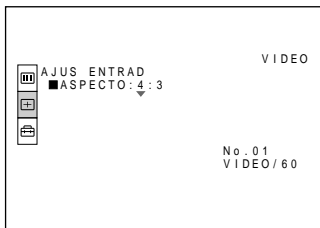
Al aumentar el ajuste de V, la imagen se desplazará hacia arriba, mientras que al disminuir, la imagen se desplazará hacia abajo.

Utilice la tecla \leftarrow o \rightarrow para ajustar la posición horizontal, y la tecla \uparrow y \downarrow para la posición vertical.

(Continúa)

ASPECTO

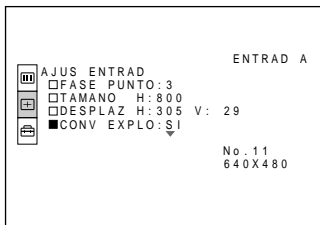
Ajusta la relación de aspecto de la imagen.
Al introducir la señal 16:9 (comprimida) de un equipo como un reproductor de DVD, ajústelo en 16:9.



- 4:3:** Si se introduce la imagen de relación de 4:3.
- 16:9:** Si se introduce la imagen de relación de 16:9 (comprimida).

CONV EXPLOR (convertidor de exploración)

Convierte la señal para mostrar la imagen en función del tamaño de la pantalla.



- SI:** Muestra la imagen en función del tamaño de la pantalla. La imagen perderá nitidez.
- NO:** Muestra la imagen mientras hace coincidir un pixel de elemento de imagen de entrada con el de la pantalla LCD. La imagen será nítida, aunque su tamaño se reducirá.

Nota

Si se introduce la señal SVGA, XGA o SXGA, este elemento no aparecerá.

Señales de entrada y elementos de ajuste/ajustables

Elemento	Señal de entrada			
	Vídeo o vídeo S (Y/C)	15k RGB Componente	RGB	Blanco y negro
FASE PUNTO	–	–	●	–
TAMANO	–	–	●	–
DESPLAZ	–	–	●	–
ASPECTO	●	●	–	●
CONV EXPLOR	–	–	●	–

- : Ajustable/puede ajustarse
- : No ajustable/no puede ajustarse

Acerca del número de memoria predeterminado

Este proyector dispone de 38 tipos de datos predeterminados de señales de entrada para cada entrada INPUT A/B (memoria predeterminada). El número de memoria de la señal de entrada actual y el tipo de señal aparecen al introducirse la señal predeterminada. Este proyector detecta automáticamente el tipo de señal. Si la señal está registrada en la memoria predeterminada, aparecerá una imagen adecuada en pantalla en función del tipo de señal. Es posible ajustar la imagen mediante el menú AJUS ENTRAD.

Este proyector también dispone de 20 tipos de memorias de usuario para cada entrada INPUT A/B. Si se introduce una señal no predeterminada por primera vez, el número de memoria aparecerá como 00. Si la señal de entrada está ajustada en el menú AJUS ENTRAD, la señal introducida mediante INPUT A se almacena en el número de memoria 51 a 70, y la señal introducida mediante INPUT B en 71 a 90. Si hay registradas más de 20 memorias de usuario para cada INPUT A/B, la memoria más reciente se almacenará automáticamente sobre la más antigua.

Señales predeterminadas

Número de memoria	Señal predeterminada	fH (kHz)	fV (Hz)	Sincronización	TAMANO	
1	Vídeo 60 Hz	15,734	59,940	Neg H Neg V		
2	Vídeo 50 Hz	15,625	50,000	Neg H Neg V		
3	15k RGB/componente de 60 Hz	15,734	59,940	Neg H Neg V		
4	15k RGB/componente de 50 Hz	15,625	50,000	Neg H Neg V		
6	640 × 350	Modo VGA 1	31,469	70,086	Pos H Neg V	800
7		VGA VESA ^{a)} 85 Hz	37,861	85,080	Pos H Neg V	832
8	640 × 400	PC-9801 ^{b)} normal	24,823	56,416	Neg H Neg V	848
9		Modo VGA 2	31,469	70,086	Neg H Pos V	800
10		VGA VESA 85 Hz	37,861	85,080	Neg H Pos V	832
11	640 × 480	Modo VGA 3	31,469	59,940	Neg H Neg V	800
12		Macintosh 13"	35,000	66,667	Neg H Neg V	864
13		VGA VESA 72 Hz	37,861	72,809	Neg H Neg V	832
14		VGA VESA 75 Hz	37,500	75,000	Neg H Neg V	840
15		VGA VESA 85 Hz	43,269	85,008	Neg H Neg V	832
16	800 × 600	SVGA VESA 56 Hz	35,156	56,250	Pos H Pos V	1024
17		SVGA VESA 60 Hz	37,879	60,317	Pos H Pos V	1056
18		SVGA VESA 72 Hz	48,077	72,188	Pos H Pos V	1040
19		SVGA VESA 75 Hz	46,875	75,000	Pos H Pos V	1056
20		SVGA VESA 85 Hz	53,674	85,061	Pos H Pos V	1048
21	832 × 624	Macintosh 16"	49,724	74,550	Neg H Neg V	1152
22	1024 × 768	XGA VESA 43 Hz	35,522	43,479	Pos H Pos V	1264
23		XGA VESA 60 Hz	48,363	60,004	Neg H Neg V	1344
24		XGA VESA 70 Hz	56,476	70,069	Neg H Neg V	1328
25		XGA VESA 75 Hz	60,023	75,029	Pos H Pos V	1312
26		XGA VESA 85 Hz	68,677	84,997	Pos H Pos V	1376
27	1152 × 864	SXGA VESA 70 Hz	63,995	70,016	Pos H Pos V	1472
28		SXGA VESA 75 Hz	67,500	75,000	Pos H Pos V	1600
29		SXGA VESA 85 Hz	77,487	85,057	Pos H Pos V	1568
30	1152 × 900	Sunmicro LO	61,795	65,960	Neg H Neg V	1504
31		Sunmicro HI	71,713	76,047	Neg H Neg V	1472
32	1280 × 960	SXGA VESA 60 Hz	60,000	60,000	Pos H Pos V	1800
33		SXGA VESA 75 Hz	75,000	75,000	Pos H Pos V	1728
34	1280 × 1024	SXGA VESA 43 Hz	46,433	43,436	Pos H Pos V	1696
35		SGI-5	53,316	50,062	Sincronización en verde	1680
36		SXGA VESA 60 Hz	63,974	60,013	Pos H Pos V	1696
37		SXGA VESA 75 Hz	79,976	75,025	Pos H Pos V	1688
38		SXGA VESA 85 Hz	91,146	85,024	Pos H Pos V	1012

- a) VESA es una marca comercial registrada de Video Electronics Standard Association.
b) PC-98 es una marca comercial registrada de NEC Corporation.

Puesto que se recuperan de la memoria los datos predeterminados sobre las siguientes señales, es posible utilizar dichos datos ajustando TAMANO. Realice el ajuste con precisión ajustando DESPLAZ.

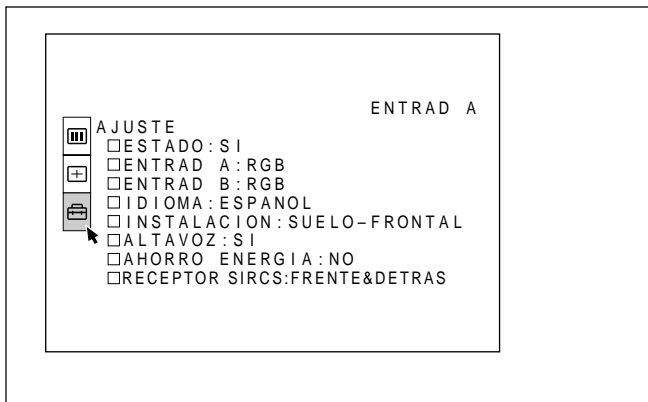
Señal	Número de memoria	TAMANO
Super Mac-2	23	1312
SGI-1	23	1320
Macintosh 19"	25	1328
Macintosh 21"	28	1456
Sony News	36	1708
PC-9821 1280 × 1024	36	1600
WS Sunmicro	37	1664

Nota

Si la relación de aspecto de la señal de entrada no es de 4:3, parte de la pantalla aparecerá en negro.

Menú AJUSTE

El menú AJUSTE se utiliza para cambiar los ajustes del proyector.



Operación

1. Seleccione un elemento

Emplee la tecla **↑** o **↓** para seleccionar el elemento y pulse la tecla **→** o ENTER.

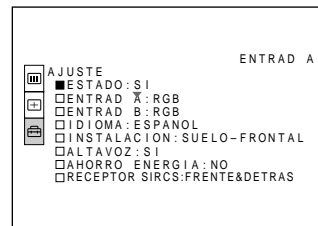
2. Cambie el ajuste

Pulse la tecla **↑** o **↓** para cambiar el ajuste.

Para recuperar la pantalla original, pulse la tecla ENTER o **←**.

ESTADO (indicación en pantalla)

Define la indicación en pantalla.



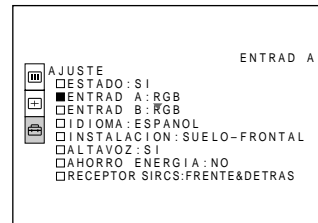
SI: Muestra todas las indicaciones en pantalla.

NO: Desactiva las indicaciones en pantalla, excepto los menús, el mensaje que aparece al desactivar la alimentación y mensajes de aviso.

Para obtener información detallada sobre los mensajes de aviso, consulte la página 41 (ES).

ENTRAD A

Selecciona la señal RGB o componente introducida desde el conector INPUT A.

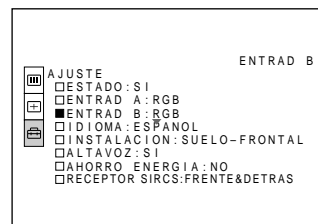


Nota

Si el ajuste no es correcto, la pantalla mostrará el mensaje “Compruebe ENTRAD A en AJUSTE.” y el color de la imagen será anormal o ésta no se mostrará.

ENTRAD B

Selecciona la señal RGB o componente introducida desde el conector INPUT B.

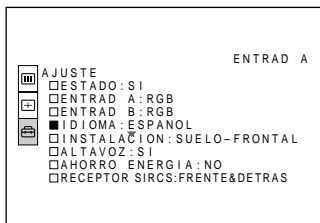


Nota

Si el ajuste no es correcto, la pantalla mostrará el mensaje “Compruebe ENTRAD B en AJUSTE.” y el color de la imagen será anormal o ésta no se mostrará.

IDIOMA

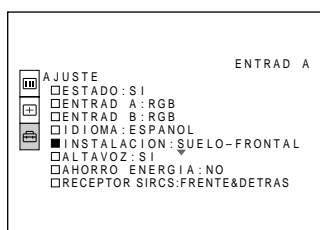
Selecciona el idioma empleado en el menú y en las indicaciones en pantalla.



Los idiomas disponibles son inglés, francés, alemán, italiano, español, japonés y chino.

INSTALACION

Permite realizar el ajuste para invertir la imagen horizontal o verticalmente.



SUELO-FRONTAL: La imagen no se invierte.

TECHO-FRONTAL: La imagen se invierte horizontal y verticalmente.

SUELO-DETRAS: La imagen se invierte horizontalmente.

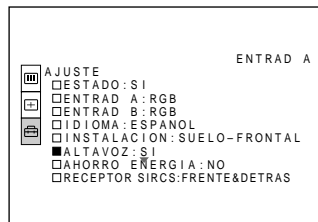
TECHO-DETRAS: La imagen se invierte verticalmente.

Nota

Si utiliza un espejo, tenga en cuenta la instalación, ya que es posible que la imagen se invierta.

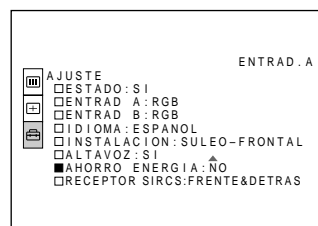
ALTAVOZ

Ajústelo en NO para desactivar el sonido de los altavoces internos. Si lo ajusta en NO, la pantalla mostrará “ALTAVOZ NO” al activar la alimentación.



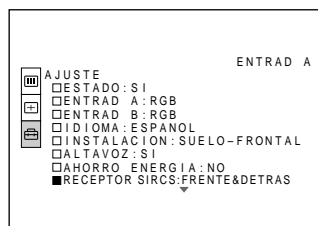
AHORRO ENERGIA

Si lo ajusta en SI, el proyector entrará en el modo de ahorro de energía si no se introduce ninguna señal durante 10 minutos.



RECEPTOR SIRCS

Selecciona los detectores de control remoto de la parte frontal y posterior del proyector.



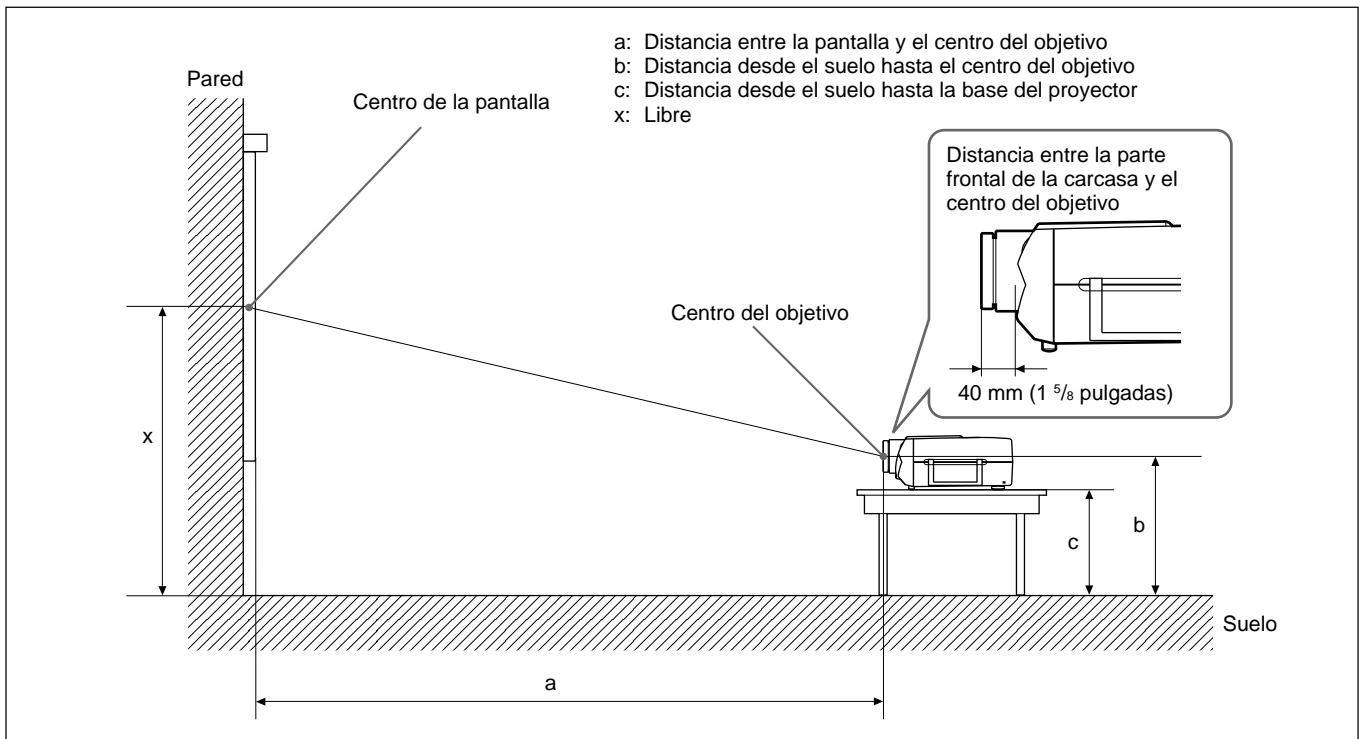
FRENTE&DETRAS: Activa los detectores frontal y posterior.

FRENTE: Activa sólo el detector frontal.

DETRAS: Activa sólo el detector posterior.

Ejemplos de instalación

Instalación en el suelo



Unidad: mm (pulgadas)

Tamaño de la pantalla (pulgadas)	40	60	80	100	120	150	180	200	250	300	
a	Mínimo	1570 (61 7/8)	2400 (94 1/2)	3240 (127 5/8)	4070 (160 3/8)	4900 (193)	6150 (242 1/4)	7410 (291 7/8)	8240 (324 1/2)	10320 (406 3/8)	12410 (488 3/4)
	Máximo	2000 (78 3/4)	3040 (119 3/4)	4090 (161 1/8)	5130 (202)	6180 (243 3/8)	7750 (305 1/4)	9310 (366 5/8)	10360 (408)	12970 (510 3/4)	15580 (613 1/2)
b	x-292 (11 5/8)	x-439 (17 3/8)	x-585 (23 1/8)	x-731 (28 7/8)	x-877 (34 5/8)	x-1097 (43 1/4)	x-1316 (51 7/8)	x-1462 (57 5/8)	x-1828 (72)	x-2194 (86 3/8)	
c	x-376 (14 7/8)	x-522 (20 5/8)	x-668 (26 3/8)	x-815 (32 1/8)	x-961 (37 7/8)	x-1180 (46 1/2)	x-1399 (55 1/8)	x-1546 (60 7/8)	x-1911 (75 3/8)	x-2277 (89 3/4)	

Para calcular la medida de instalación (unidad: mm)

SS: Diagonal del tamaño de la pantalla (pulgadas)

$$a \text{ (mínimo)} = \{(SS \times 52,83/1,2992) - 95,03\} \times 1,025$$

$$a \text{ (máximo)} = \{(SS \times 69,64/1,2992) - 96,17\} \times 0,975$$

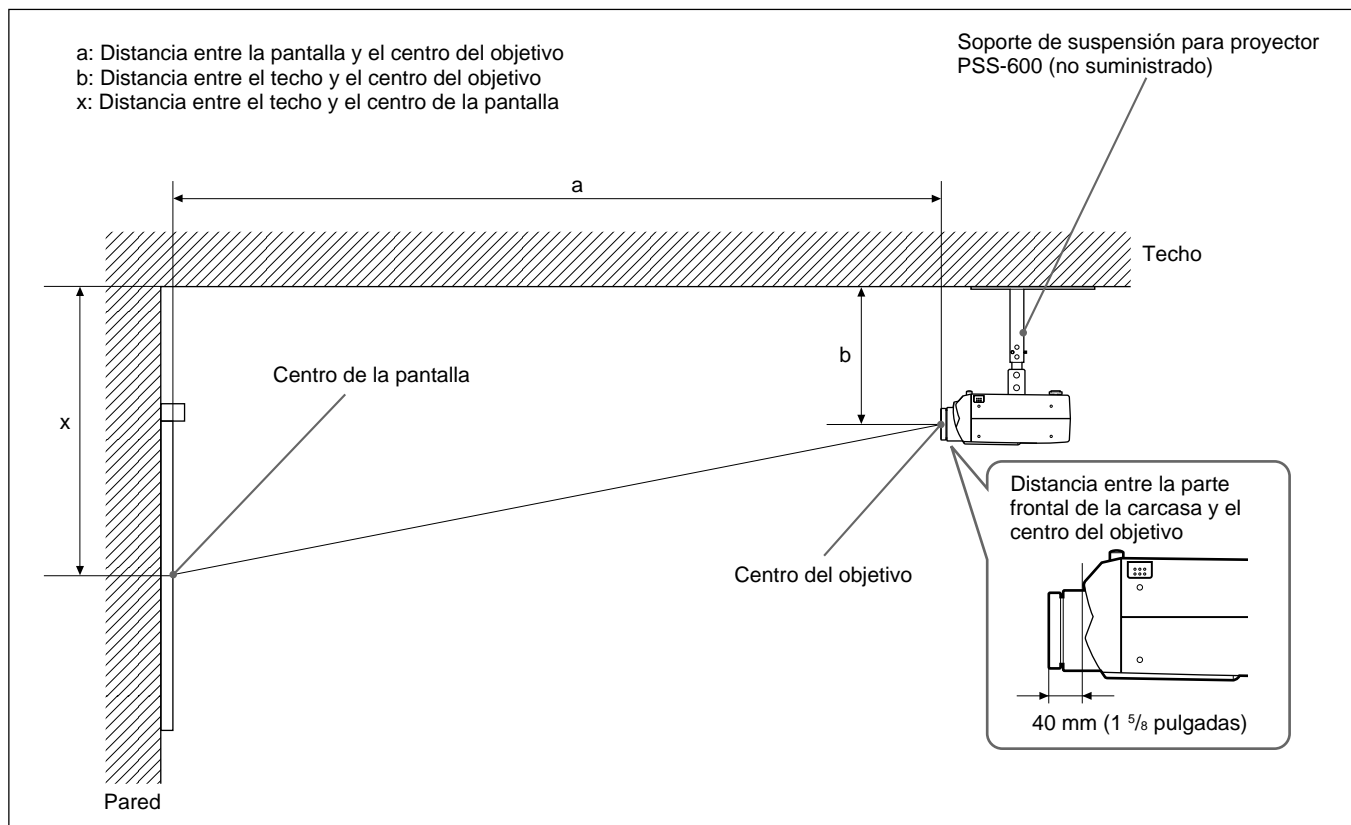
$$b = x - (SS/1,2992 \times 9,5)$$

$$c = x - (SS/1,2992 \times 9,5 + 83,3)$$

Instalación en el techo

Si instala en proyector en el techo, utilice el soporte de suspensión para proyector PSS-600.

Para realizar la instalación en el techo, consulte con personal Sony especializado.



Unidad: mm (pulgadas)

Tamaño de la pantalla (pulgadas)	80	100	120	150	180	200	250	300	
a	Mínimo	3240 (127 5/8)	4070 (160 3/8)	4900 (193)	6150 (242 1/4)	7410 (291 7/8)	8240 (324 1/2)	10320 (406 3/8)	12410 (488 3/4)
	Máximo	4090 (161 1/8)	5130 (202)	6180 (243 3/8)	7750 (305 1/4)	9310 (366 5/8)	10360 (408)	12970 (510 3/4)	15580 (613 1/2)
x	b+585 (23 1/8)	b+731 (28 7/8)	b+877 (34 5/8)	b+1097 (43 1/4)	b+1316 (51 7/8)	b+1462 (57 5/8)	b+1828 (72)	b+2194 (86 1/2)	
b	226/251/276/326/351/376 mm (9 / 10 / 10 7/8 / 12 7/8 / 13 7/8 / 14 7/8 pulgadas) ajustable si se utiliza el PSS-600								

Para calcular la medida de instalación (unidad: mm)

SS: diagonal del tamaño de la pantalla (pulgadas)

$$a \text{ (mínimo)} = \{(SS \times 52,83/1,2992) - 95,03\} \times 1,025$$

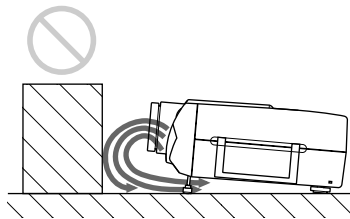
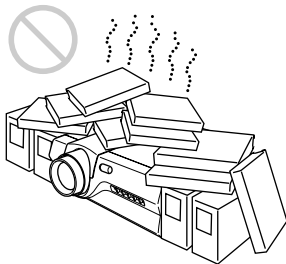
$$a \text{ (máximo)} = \{(SS \times 69,64/1,2992) - 96,17\} \times 0,975$$

$$x = b + SS/1,2992 \times 9,5$$

Instalación inadecuada

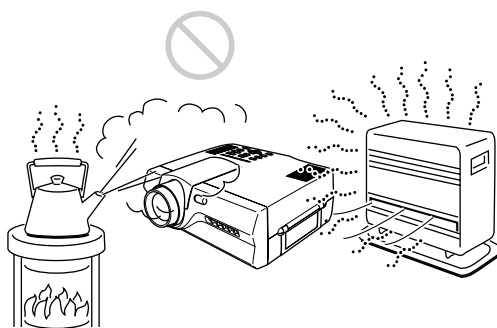
No instale el proyector en las siguientes situaciones. Estas instalaciones pueden producir fallos de funcionamiento o daños al proyector.

Falta de ventilación



- Con el fin de evitar el recalentamiento interno de la unidad, permita que reciba una ventilación adecuada de aire. No coloque la unidad sobre superficies (mantas, colchas, etc.) ni cerca de materiales (cortinas, tapices) que puedan bloquear los orificios de ventilación. Si se produce recalentamiento interno debido al bloqueo de los orificios, el sensor de temperatura se activará y se mostrará el mensaje “Temperatura alta! Desconex. en 1 min.”. La alimentación se desactivará automáticamente transcurrido un minuto.
- Deje un espacio superior a 30 cm (11 7/8 pulgadas) alrededor de los orificios de ventilación frontales.
- Procure que los orificios de ventilación de la base no aspiren trozos pequeños de materiales, como trozos de papel.
- Si sitúa algún objeto en frente de los orificios de ventilación frontales, es posible que el aire de exhaustación se introduzca en el proyector a través de los orificios de ventilación de la base, produciendo el aumento de la temperatura interna, que activa el circuito de protección. Instale el proyector de forma que no se bloquee el aire de exhaustación.

Calor y humedad excesivos



- Evite instalar la unidad en un lugar donde la temperatura o la humedad sea demasiado alta, o donde la temperatura sea muy baja.
- Para evitar la condensación de humedad, no instale la unidad en un lugar donde la temperatura pueda aumentar rápidamente.

Polvo excesivo

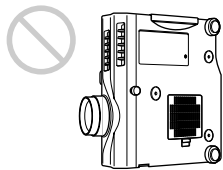


Evite instalar la unidad en un lugar donde haya mucho polvo. En caso contrario, el filtro de aire se obstruirá. Si el polvo bloquea el paso de aire a través del filtro, el calentamiento interno del proyector puede aumentar. Límpielo periódicamente.

Notas sobre la instalación

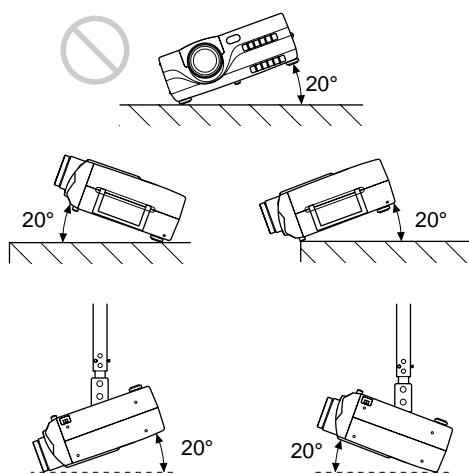
Realice lo siguiente.

Evitar caídas de la unidad



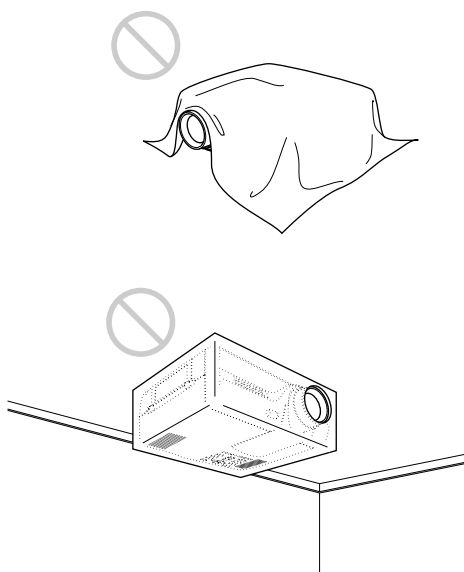
Evite colocar la unidad en posición vertical sobre un lateral de la misma, ya que se caerá y pueden producirse fallos de funcionamiento.

Emplearla nivelada



Evite utilizar la unidad con una inclinación de más de 20 grados. No la instale en otro lugar que no sea el suelo o el techo, ya que pueden producirse fallos de funcionamiento.

No bloquear los orificios de ventilación



No cubra los orificios de ventilación frontales. En caso contrario, puede producirse recalentamiento interno.

Emplee la cubierta frontal suministrada sólo cuando la alimentación esté desactivada. No encienda el proyector con la cubierta frontal fijada, ya que pueden producirse fallos de funcionamiento.

Nota sobre el momento de sustituir la lámpara

Cuando llegue el momento de sustituir la lámpara, hágalo inmediatamente con una lámpara de proyector LMP-600 nueva.

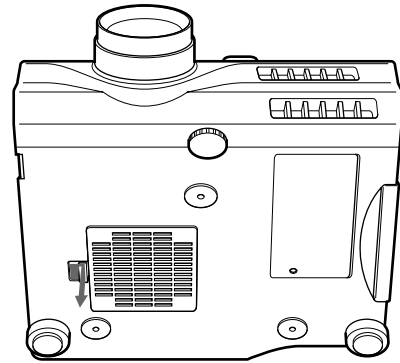
Para obtener información detallada sobre la sustitución, consulte el manual de instrucciones suministrado con la lámpara LMP-600.

Limpieza del filtro de aire

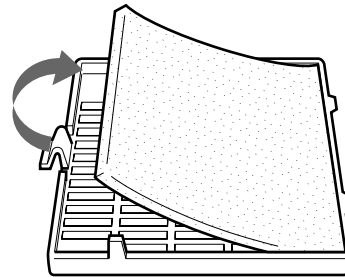
El filtro de aire debe limpiarse cada 300 horas. Si resulta difícil eliminar el polvo del filtro, sustitúyalo por uno nuevo.

Para limpiar el filtro de aire, realice los siguientes pasos:

- 1** Desactive la alimentación y desenchufe el cable de la toma de corriente.
- 2** Retire la cubierta del filtro de aire de la base del proyector.



- 3** Extraiga el filtro de aire.



- 4** Elimine el polvo del filtro con una aspiradora.
- 5** Fije el filtro de aire y vuelva a colocar la cubierta.

Notas

- Si el filtro de aire está excesivamente sucio, lávelo con una solución detergente poco concentrada y deje que se seque a la sombra. Si no es posible eliminar el polvo, sustituya el filtro de aire por el filtro nuevo suministrado.
- Asegúrese de fijar firmemente la cubierta del filtro de aire. La alimentación no se activará si dicha cubierta no está firmemente cerrada.

Solución de problemas

Si el proyector parece no funcionar correctamente, diagnostique el problema y solúcelo utilizando la siguiente guía. Si el problema no se soluciona, consulte con personal Sony especializado.

Problema	Causa	Solución
La alimentación no se activa.	La alimentación se ha desactivado y activado con la tecla I / ⏻ transcurrido un corto intervalo de tiempo entre dicha desactivación y activación.	Espere un minuto aproximadamente antes de activar la alimentación (<i>consulte la página 22 (ES)</i>).
	La cubierta de la lámpara no está fijada.	Cierre firmemente la cubierta de la lámpara.
	La cubierta del filtro de aire no está fijada.	Cierre firmemente la cubierta del filtro de aire (<i>consulte la página 38 (ES)</i>).
Ausencia de imagen y de sonido.	El cable está desconectado.	Compruebe que ha realizado las conexiones adecuadas (<i>consulte las páginas 18 (ES) a 21 (ES)</i>).
	Conexión incorrecta.	Compruebe que ha realizado las conexiones adecuadas (<i>consulte las páginas 18 (ES) a 21 (ES)</i>).
	La selección de entrada es incorrecta.	Seleccione correctamente la fuente de entrada con la tecla INPUT (<i>consulte la página 22 (ES)</i>).
Ausencia de imagen o de sonido.	La imagen o el sonido está desactivado.	Pulse las teclas MUTING para cancelar la función de desactivación (<i>consulte la página 23 (ES)</i>).
Ausencia de imagen.	La señal del ordenador no está ajustada para enviarse al monitor externo.	Ajuste la señal del ordenador para que se envíe al monitor externo (<i>consulte la página 18 (ES)</i>).
	La señal del ordenador está ajustada para enviarse a la pantalla LCD del ordenador y al monitor externo.	Ajuste la señal del ordenador para que se envíe sólo al monitor externo (<i>consulte la página 18 (ES)</i>).
La imagen aparece con ruido.	Es posible que aparezca ruido de fondo en función de la combinación del número de puntos introducido desde el conector y el número de píxeles del panel LCD.	Cambie el patrón del escritorio en el ordenador conectado.
Al introducir sonido mediante el conector INPUT A/B, el sonido sólo se emite por un canal.	Se recibe sonido monofónico del conector INPUT A/B.	Introduzca sonido estéreo.
El color de la imagen del conector INPUT A/B es extraño.	El ajuste de ENTRAD A/ENTRAD B del menú AJUSTE es incorrecto.	Seleccione RGB o COMPONENTE de ENTRAD A o ENTRAD B en el menú AJUSTE en función de la señal de entrada (<i>consulte la página 32 (ES)</i>).
Aparece "Compruebe ENTRAD A en AJUSTE." a pesar de introducir la señal correcta de INPUT A.	El ajuste de ENTRAD A del menú AJUSTE es incorrecto.	Seleccione RGB o COMPONENTE de ENTRAD A en el menú AJUSTE en función de la señal de entrada (<i>consulte la página 32 (ES)</i>).
Aparece "Compruebe ENTRAD B en AJUSTE." a pesar de introducir la señal correcta de INPUT B.	El ajuste de ENTRAD B del menú AJUSTE es incorrecto.	Seleccione RGB o COMPONENTE de ENTRAD B en el menú AJUSTE en función de la señal de entrada (<i>consulte la página 32 (ES)</i>).
No aparece ningún indicador mediante la señal correcta introducida desde INPUT B.	El interruptor de selección RGB IN/OUT está ajustado en OUT.	Ajústelo en IN (<i>consulte la página 14 (ES)</i>).
Aparece "SIN ENTRADA" al introducir la señal de 15k RGB o componente.	La señal de sincronización es incorrecta.	Introduzca la señal de sincronización correcta (señal de sincronización compuesta o de sincronización en G (sincronización en Y para la señal componente)).
Las indicaciones en pantalla no aparecen.	El elemento ESTADO del menú AJUSTE se ha ajustado en NO.	Ajuste ESTADO en SI en el menú AJUSTE (<i>consulte la página 32 (ES)</i>).

Solución de problemas

Problema	Causa	Solución
El balance de color es incorrecto.	No ha ajustado la imagen correctamente.	Ajuste la imagen (<i>consulte las páginas 27 (ES) y 28 (ES)</i>).
	El proyector está ajustado en un sistema de color incorrecto.	Ajuste SIST COLOR en el menú CTRL IMAGEN de forma que coincida con el sistema de color que se introduce (<i>consulte la página 28 (ES)</i>).
La imagen aparece con demasiada oscuridad.	No ha ajustado el contraste o el brillo correctamente.	Ajuste adecuadamente el contraste o el brillo en el menú CTRL IMAGEN (<i>consulte la página 27 (ES)</i>).
La imagen no es nítida.	La imagen está desenfocada.	Ajuste el enfoque (<i>consulte la página 23 (ES)</i>).
	Se ha condensado humedad en el objetivo.	Deje el proyector con la alimentación activada durante unas dos horas (<i>consulte la página 36 (ES)</i>).
El indicador LAMP/COVER parpadea.	La cubierta de la lámpara o la del filtro de aire no está instalada.	Fije firmemente la cubierta (<i>consulte la página 38 (ES)</i>).
El indicador LAMP/COVER se ilumina.	La lámpara ha llegado al final de su duración.	Sustituya la lámpara (<i>consulte la página 38 (ES)</i>).
El indicador TEMP/FAN parpadea.	El ventilador está roto.	Consulte con personal Sony especializado.
El indicador TEMP/FAN se ilumina.	La temperatura interna es inusualmente alta.	Compruebe que no hay nada que bloquee los orificios de ventilación.
El mando a distancia no funciona.	Las pilas del mando a distancia están agotadas.	Sustituya las pilas por unas nuevas (<i>consulte la página 16 (ES)</i>).
	El interruptor COMMANDER ON/OFF está ajustado en la posición OFF.	Ajuste el interruptor en la posición ON (<i>consulte la página 16 (ES)</i>).
	Utiliza el mando a distancia sin cable, y está conectado al proyector.	Desconecte el cable.
	El detector frontal/posterior de control remoto está cerca de una lámpara fluorescente.	Cambie el ajuste de RECEPTOR SIRCS en el menú AJUSTE (<i>consulte la página 33 (ES)</i>).
No se emite el puntero láser.	Las pilas están agotadas.	Sustituya las pilas por unas nuevas (<i>consulte la página 16 (ES)</i>).
	Utiliza el mando a distancia con cable sin pilas.	Instale pilas (<i>consulte la página 16 (ES)</i>).
El "joystick" o la tecla R CLICK o L CLICK no funciona.	El puerto de ratón del ordenador no reconoce el cable de ratón.	Reinicie el ordenador.

Mensajes de aviso

Utilice la lista que aparece a continuación para conocer el significado de los mensajes mostrados en pantalla.

Mensaje	Significado	Solución
Temperatura alta! Desconex. en 1 min.	La temperatura interna es demasiado alta.	Desactive la alimentación. Compruebe que no haya nada que bloquee los orificios de ventilación.
Frecuencia fuera de rango!	Esta señal de entrada no puede proyectarse, ya que la frecuencia se encuentra fuera del margen admisible del proyector.	Introduzca una señal que se encuentre dentro del margen de la frecuencia.
	El ajuste de resolución de la señal de salida del ordenador es demasiado alto.	Defina el ajuste de salida en la señal SVGA.
Compruebe ENTRAD A en AJUSTE.	Ha introducido una señal RGB del ordenador con ENTRAD A del menú AJUSTE ajustado en COMPONENTE.	Ajuste ENTRAD A correctamente.
Compruebe ENTRAD B en AJUSTE.	Ha introducido una señal RGB del ordenador con ENTRAD B del menú AJUSTE ajustado en COMPONENTE.	Ajuste ENTRAD B correctamente.

Mensajes de precaución

Utilice la siguiente lista para conocer el significado de los mensajes mostrados en pantalla.

Mensaje	Significado	Solución
SIN ENTRADA	Ausencia de señal de entrada	Compruebe las conexiones.
No aplicable!	Ha pulsado la tecla incorrecta.	Pulse la tecla apropiada.

Especificaciones

Características ópticas

Sistema de proyección	3 paneles LCD, 1 objetivo, sistema de proyección
Panel LCD	LCD TFT de 1,3 pulgadas, 1.440.000 píxeles (480.000 píxeles × 3)
Objetivo	Zoom de 1,3 veces f 54 a 70 mm/F 2,0 a 2,4
Lámpara	120 W UHP
Tamaño de imagen de proyección	Rango: 40 a 300 pulgadas (medida diagonal)
Salida de luz	ANSI lumen ¹⁾ 1100 lm
Distancia de proyección (Visualización de 800 × 600 puntos)	40 pulgadas: 1570 a 2000 mm (61 ⁷ / ₈ a 78 ³ / ₄ pulgadas) 80 pulgadas: 3240 a 4090 mm (127 ⁵ / ₈ a 161 ¹ / ₈ pulgadas) 100 pulgadas: 4070 a 5130 mm (160 ³ / ₈ a 202 pulgadas) 120 pulgadas: 4900 a 6180 mm (193 a 243 ³ / ₈ pulgadas) 200 pulgadas: 8240 a 10360 mm (324 ¹ / ₂ a 408 pulgadas) 300 pulgadas: 12410 a 15580 mm (488 ³ / ₄ a 613 ¹ / ₂ pulgadas)

Características eléctricas

Sistema de color	NTSC _{3.58} /PAL/SECAM/NTSC _{4.43} /PAL-M, conmutado automáticamente/manualmente
Resolución	600 líneas de TV horizontales (entrada de vídeo) 800 × 600 puntos (entrada RGB)
Señales de ordenador admitidas	fH:15, 24 a 91 kHz fV:43 a 85 Hz
Altavoz	Sistema de 3 altavoces de gama de frecuencia amplia, Altavoz de graves: 57 mm (2 ¹ / ₄ pulgadas) de diámetro, máx. 1 W Altavoz de agudos: 28 mm (1 ¹ / ₈ pulgadas) de diámetro, máx. 0,2 W × 2 (estéreo)

Entrada/Salida

VIDEO IN (sólo para VPL-S900U/M)	VIDEO: tipo fonográfico Vídeo compuesto: 1 Vp-p ±2 dB sincronización negativa (terminación de 75 ohmios) S VIDEO: Y/C tipo mini DIN de 4 pines (macho) Y (luminanci): 1 Vp-p ±2 dB sincronización negativa (terminación de 75 ohmios) C (crominancia): señal de sincronización 0,286 Vp-p ±2 dB (NTSC) (terminación de 75 ohmios), señal de sincronización de 0,3 Vp-p ±2 dB (PAL) (terminación de 75 ohmios)
AUDIO IN (sólo para VPL-S900U/M)	Tipo fonográfico × 2 500 mVrms, impedancia superior a 47 kiloohmios
INPUT A/INPUT B	HD D-sub de 15 pines (hembra) RGB/componente analógica: Al emplearlo como entrada R/R-Y: 0,7 Vp-p ±2 dB (terminación de 75 ohmios) G: 0,7 Vp-p ±2 dB (terminación de 75 ohmios) G con sincronización/Y: 1 Vp-p ±2 dB sincronización negativa (terminación de 75 ohmios) B/B-Y: 0,7 Vp-p ±2 dB (terminación de 75 ohmios) SYNC/HD: Entrada de sincronización compuesta: 1-5 Vp-p alta impedancia, positiva/negativa Entrada de sincronización horizontal: 1-5 Vp-p alta impedancia, positiva/negativa VD: Entrada de sincronización vertical: 1-5 Vp-p alta impedancia, positiva/negativa

Al emplearlo como salida (INPUT B solamente) (conmutación entrada/salida, envía la señal introducida mediante el conector RGB de INPUT A)

R/R-Y: Unidad de ganancia (terminación de 75 ohmios)

G: Unidad de ganancia (terminación de 75 ohmios)

B/B-Y: Unidad de ganancia (terminación de 75 ohmios)

SYNC/HD: Salida de sincronización compuesta 4Vp-p (abierta), 1Vp-p (entrada de 75 ohmios)

Salida de sincronización horizontal 4Vp-p (abierta) 1Vp-p (entrada de 75 ohmios)

VD: Salida de sincronización vertical 4Vp-p (abierta) 1Vp-p (entrada de 75 ohmios)

MOUSE (salida): 13 pines (hembra)

(Para más información, consulte "Asignación de pines" en la página 45 (ES).)

AUDIO: Minitoma estéreo 500 mVrms, impedancia superior a 47 kilohmios

AUDIO OUT (salida variable): minitoma estéreo Max. 1 Vrms, si una señal de salida es de 500 mVrms, impedancia inferior a 5 kilohmios

CONTROL S IN/PLUG IN POWER Minitoma estéreo 5 Vp-p, alimentación por enchufe, salida máxima de CC 5 V de 60 mA

Normas de seguridad

VPL-S900U: UL1950, cUL (CSA C22.2 No. 950), FCC Clase A, IC Clase A, DHHS

VPL-S900E/S900M: EN60 950 EN60825-1, CE, C-Tick

Haz láser

Tipo de láser Clase 2
Longitud de onda 645 nm
Salida 1 mW

Generales

Dimensiones 333 × 120 × 291 mm (13 1/4 × 4 3/4 × 11 1/2 pulgadas) (an/al/prf) (excluyendo objetivo, ajustadores y partes salientes)

339 × 136 × 322 mm (13 3/8 × 5 3/8 × 12 3/4 pulgadas) (w/h/d)

Peso Aprox. 5,9 kg (13 lb)

Requisitos de alimentación CA 100 a 120 V/220 a 240 V, 2A/0,9A, 50/60 Hz

Consumo de energía Máx. 220 W (modo de espera: 2 W)

Disipación de calor 750.7 BTU

Temperatura de funcionamiento 0°C a 40°C (32°F a 104°F)

Humedad de funcionamiento 35% a 85% (sin condensación)

Temperatura de almacenamiento -20°C a 60°C (-4°F a 140°F)

Humedad de almacenamiento 10% a 90%

Accesorios suministrados

- Mando a distancia RM-PJM600 (1)
- Pilas tamaño AA (R6) (2)
- Cable de señales de vídeo SMF-401 (1)
- Adaptador de señales (para Macintosh) (1)
- Cable de ratón SIC-S20 (para Macintosh) (2 m) (1)
- SIC-S21 (para serie) (2 m) (1)
- SIC-S22 (para PS/2) (2 m) (1)
- Cable de audio/vídeo (1,5 m) (1) (excepto VPL-S900E)
- Asa para el mando a distancia (1)
- Cable de alimentación de CA (1)
- Tapa del objetivo (1)
- Cubierta frontal (1)
- Filtro de aire (para sustitución) (1)
- Manual de instrucciones (1)
- Manual de instalación para proveedores(1)
- Tarjeta de referencia rápida (1)
- Tarjeta de garantía (1) (sólo para VPL-S900U)

Diseño y especificaciones sujetos a cambios sin previo aviso.

Especificaciones

Accesorios opcionales

Lámpara para proyector LMP-600¹⁾ (para sustitución)

Soporte de suspensión para proyector PSS-600

Tarjeta de interface IFB-X600E (para VPL-S900E)

Cable de señales de vídeo

SMF-400 (HD D-sub de 15 pines (macho) ↔
5 × BNC (macho))

SMF-401 (HD D-sub de 15 pines (macho) ↔ HD
D-sub de 15 pines (macho))

Cable de señales

SMF-402 (HD D-sub de 15 pines (macho) ↔ 3 ×
tipo fonográfico (macho))

Cable de ratón

SIC-S20 (para Macintosh) (2 m)

SIC-S21 (para serie) (2 m)

SIC-S22 (para PS/2) (2 m)

Adaptador de señales ADP-20 (Macintosh ↔ HD
D-sub de 15 pines)

Objetivo de proyección

Objetivo de enfoque de larga distancia de zoom de
2 veces VPLL-ZM100

Objetivo de enfoque de corta distancia fijo VPLL-
FM20

Objetivo de enfoque de corta distancia fijo VPLL-
FM30

Estuche de transporte VLC-600¹⁾

Pantallas

Pantalla portátil de 50 pulgadas VPS-50C

Pantalla portátil de 80 pulgadas VPS-80C

Pantalla plana de 100 pulgadas VPS-100FH

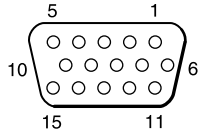
Pantalla plana de 120 pulgadas VPS-120FH

Algunos productos pueden no encontrarse disponibles en determinadas zonas. Para más información, póngase en contacto con el proveedor Sony más próximo.

1) La unidad LMP-600 y VLC-600 puede no encontrarse disponible en ciertas zonas. Para más información, póngase en contacto con el proveedor Sony más próximo.

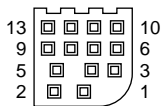
Asignación de pines

Entrada RGB (INPUT A)/conector RGB IN/OUT (INPUT B) (HD D-sub de 15 pines, hembra)



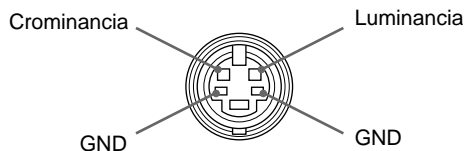
1	R/R-Y	9	N.C.
2	G/Y	10	GND
3	B/B-Y	11	GND
4	N.C.	12	N.C.
5	GND	13	HD/C.Sync
6	GND (R)	14	VD
7	GND (G)	15	N.C.
8	GND (B)		

Conector MOUSE (13 pines, hembra)



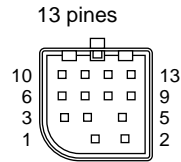
1	RTS	8	R
2	GND	9	98/AT/TXD
3	XA	10	+5V/DTR
4	XB	11	CLOCK
5	YA	12	DATA
6	YB	13	RXD
7	L/PS		

Toma S VIDEO (4 pines, mini-DIN)



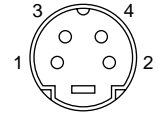
Asignación de pines del cable de ratón

SIC-S20



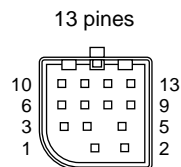
1	RTS	8	R
2	GND	9	98/AT/TXD
3	XA	10	+5V/DTR
4	XB	11	CLOCK
5	YA	12	DATA
6	YB	13	RXD
7	L/PS		

mini DIN de 4 pines



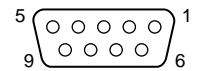
1	ADB
2	NC
3	+5V
4	GND

SIC-S21



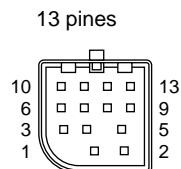
1	RTS	8	R
2	GND	9	98/AT/TXD
3	XA	10	+5V/DTR
4	XB	11	CLOCK
5	YA	12	DATA
6	YB	13	RXD
7	L/PS		

D-Sub de 9 pines



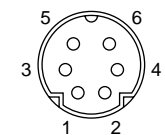
1	DCD
2	RXD
3	TXD
4	DTR
5	GND
6	DSR
7	RTS
8	CTS
9	RI

SIC-S22



1	RTS	8	R
2	GND	9	98/AT/TXD
3	XA	10	+5V/DTR
4	XB	11	CLOCK
5	YA	12	DATA
6	YB	13	RXD
7	L/PS		

mini DIN de 6 pines

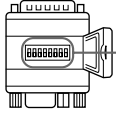


1	DATA
2	NC
3	GND
4	+5V
5	CLOCK
6	NC

Especificaciones



Posición del interruptor del adaptador de señales

a Macintosh



Interruptor DIP

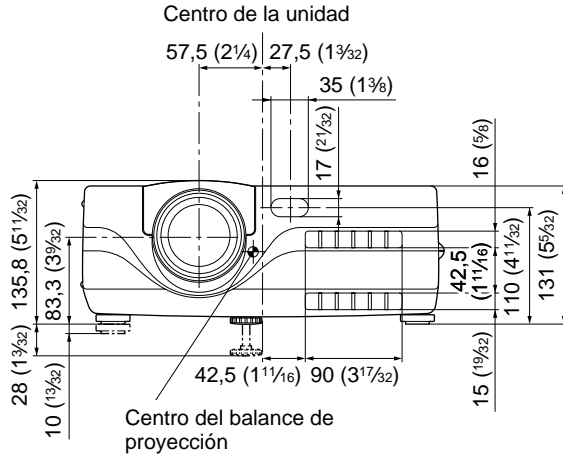
al proyector

ON (posición superior)  = 1
OFF (posición inferior)  = 0

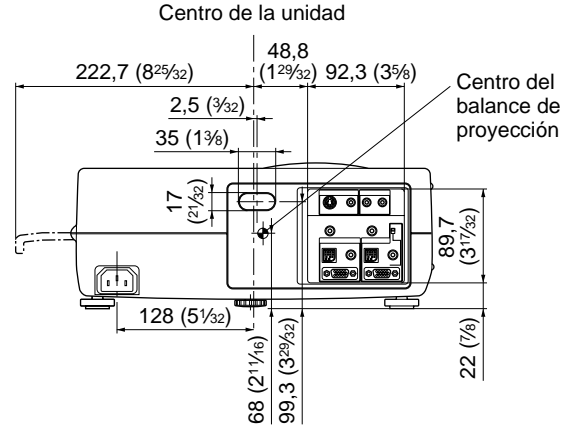
Modo	fH	Interruptor DIP
		1 2 3 4 5 6 7 8
VGA/S VGA	31,5 kHz/37,8 kHz	00111001
Macintosh, 13"	35,0 kHz	11001001
Macintosh, 16"	49,7 kHz	01011001
Macintosh, 19"	60,2 kHz	01101001
Macintosh, 21"	68,7 kHz	11111001
Macintosh 1280 × 960	75,0 kHz	11001101
Macintosh 1280 × 1024	75,0 kHz	11001101

Dimensiones

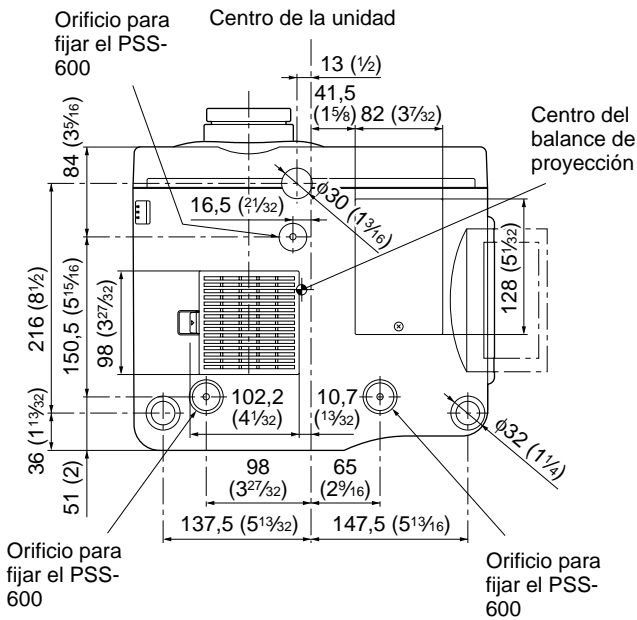
Parte frontal



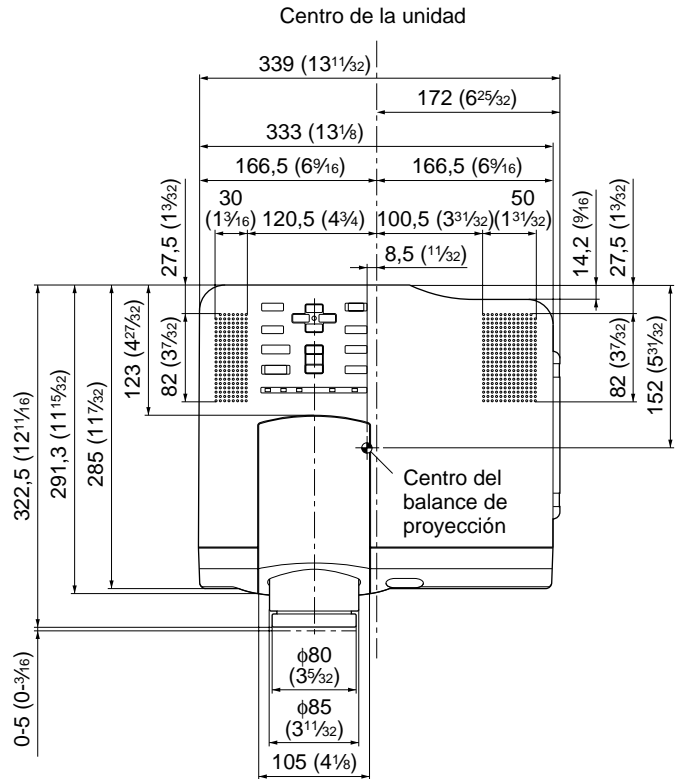
Parte posterior



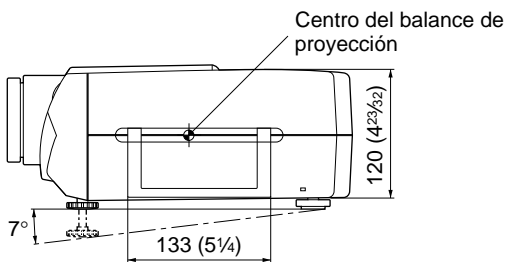
Parte inferior



Parte superior



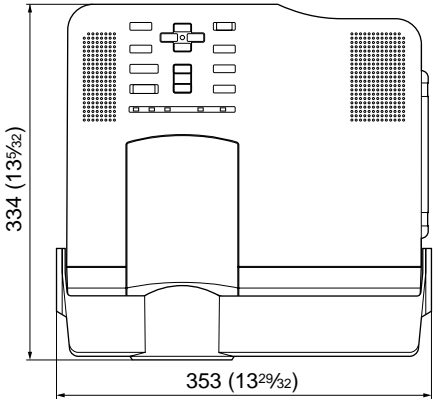
Parte lateral



Unidad: mm (pulgadas)

Especificaciones

Parte superior (con la cubierta frontal)



Unidad: mm (pulgadas)

A, B

Accesorios opcionales 44 (ES)
Accesorios suministrados 43 (ES)
Adaptador de señales 19 (ES)
 posición del interruptor 46 (ES)
AHORRO ENERGIA 12 (ES), 33 (ES)
Ajustadores 9 (ES)
Ajuste
 la imagen 27 (ES)
 memoria de los ajustes 26 (ES)
 tamaño/desplazamiento de la imagen 29 (ES)
Alimentación
 activación 22 (ES)
 desactivación 24 (ES)
ALTAVOZ 33 (ES)
Asa de transporte 9 (ES)
Asinación de pines 45 (ES)
ASPECTO 30 (ES)
BRILLO 27 (ES)

C

Cable de ratón
 asignación de pines 45 (ES)
 conexión 19 (ES)
COLOR 27 (ES)
Conector de entrada de RGB 14 (ES)
 asignación de pines 45 (ES)
Conector de ratón 14 (ES)
 asignación de pines 45 (ES)
Conexiones
 equipo de 15k RGB/componente 20 (ES)
 ordenador 18 (ES)
 Uso del conector RGB IN/OUT de INPUT B como conector de salida de monitor 21 (ES)
 videograbadora 20 (ES)
CONTRASTE 27 (ES)
CONV EXPLO (convertidor de exploración) 30 (ES)
Cubierta frontal 8 (ES), 9 (ES)

D

Desactivación
 imagen 23 (ES)
 sonido 23 (ES)
DESPLAZ 29 (ES)
Detector de control remoto
 ajuste 33 (ES)
 frontal 8 (ES)
 posterior 13 (ES)
Dimensiones 47 (ES), 48 (ES)

E

Ejemplos de instalación
 en el suelo 17 (ES), 34 (ES)
 en el techo 35 (ES)
 lugares inadecuados 36 (ES)
 notas 37 (ES)
ENTRAD A 32 (ES)
ENTRAD B 32 (ES)
Especificaciones 42 (ES)
ESTADO (indicación en pantalla) 32 (ES)

F, G, H

FASE PUNTO 29 (ES)
Filtro de aire 38 (ES)
Función APA 24 (ES)
Función de puntero láser 15 (ES)

I, J, K, L

IDIOMA 33 (ES)
IMAG DI (dinámica) 28 (ES)
INSTALACION 33 (ES)

M, N

Mando a distancia
 función de puntero láser 15 (ES)
 instalación de la cubierta frontal 9 (ES)
 instalación de las pilas 16 (ES)
 ubicación y función de los controles 15 (ES)
Mensaje
 aviso 41 (ES)
 precaución 41 (ES)
Menú
 eliminación de la pantalla de menú 26 (ES)
 menú AJUS ENTRAD 29 (ES)
 menú AJUSTE 32 (ES)
 menú CTRL IMAGEN 27 (ES)
 uso del menú 26 (ES)
Menú AJUS ENTRAD 29 (ES)
Menú AJUSTE 32 (ES)
Menú CTRL IMAGEN 27 (ES)
MODO GAMMA 28 (ES)
NITIDEZ 28 (ES)

O

Orificios de ventilación
 aspiración 8 (ES)
 exhaustación 8 (ES)

P, Q

Pilas
 instalación 16 (ES)
 notas 16 (ES)
Precauciones 4 (ES)

R

RECEPTOR SIRCS 33 (ES)
Restauración
 elementos que pueden restaurarse 26 (ES)
 restauración de elementos 26 (ES)

S

SIST (sistema) COLOR 28 (ES)
Solución de problemas 39 (ES)
Soporte de suspensión para proyector PSS-600 35 (ES)
Sustitución de la lámpara 38 (ES)

T

TAMANO 29 (ES)
Tamaño de la pantalla 17 (ES), 34 (ES), 35 (ES)
TEMP COLOR 28 (ES)
TONALIDAD 27 (ES)

U, V, W, X, Y, Z

Ubicación y función de los controles
 Mando a distancia 15 (ES)
 panel de conectores 14 (ES)
 panel de control 11 (ES)
 parte frontal 8 (ES)
 parte posterior 13 (ES)

