

LCD Data Projector

Operating Instructions _____ **GB**

Mode d'emploi _____ **FR**

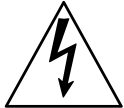
Manual de instrucciones _____ **ES**

VPL-PX21
VPL-PX31

WARNING

To prevent fire or shock hazard, do not expose the unit to rain or moisture.

To avoid electrical shock, do not open the cabinet. Refer servicing to qualified personnel only.



This symbol is intended to alert the user to the presence of uninsulated “dangerous voltage” within the product’s enclosure that may be of sufficient magnitude to constitute a risk of electric shock to persons.

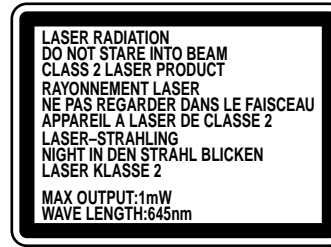


This symbol is intended to alert the user to the presence of important operating and maintenance (servicing) instructions in the literature accompanying the appliance.

For the customers in the USA

This equipment has been tested and found to comply with the limits for a Class A digital device, pursuant to Part 15 of the FCC Rules. These limits are designed to provide reasonable protection against harmful interference when the equipment is operated in a commercial environment. This equipment generates, uses, and can radiate radio frequency energy and, if not installed and used in accordance with the instruction manual, may cause harmful interference to radio communications. Operation of this equipment in a residential area is likely to cause harmful interference in which case the user will be required to correct the interference at his own expense.

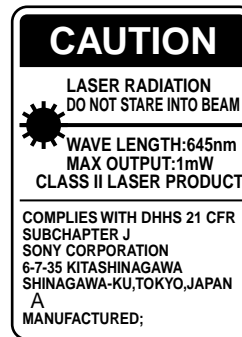
You are cautioned that any changes or modifications not expressly approved in this manual could void your authority to operate this equipment.



This label is located on the rear of the Remote Commander.



This label is located on the side of the Remote Commander.

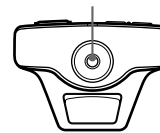


This label is located on the rear of the Remote Commander.



This label is located on the rear of the Remote Commander.

Laser light shines out of this window.



Caution

use of controls or adjustments or performance of procedures other than those specified herein may result in hazardous radiation exposure.

Notes

- Do not aim the laser at people or not look into the laser transmitter.
- When the Remote Commander causes malfunction, consult with qualified Sony personnel. We change the Remote Commander as new one according to the guarantee.

For the customers in Canada

This Class A digital apparatus complies with Canadian ICES-003.

For the customers in the United Kingdom

WARNING

THIS APPARATUS MUST BE EARTHED

IMPORTANT

The wires in this mains lead are coloured in accordance with the following code:

Green-and-Yellow: Earth
Blue: Neutral
Brown: Live

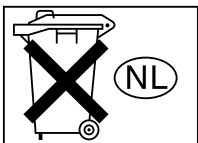
As the colours of the wires in the mains lead of this apparatus may not correspond with the coloured markings identifying the terminals in your plug proceed as follows:

The wire which is coloured green-and-yellow must be connected to the terminal in the plug which is marked by the letter E or by the safety earth symbol \perp or coloured green or green-and-yellow.

The wire which is coloured blue must be connected to the terminal which is marked with the letter N or coloured black.

The wire which is coloured brown must be connected to the terminal which is marked with the letter L or coloured red.

Voor de klanten in Nederland



Gooi de batterij niet weg maar lever deze in als klein chemisch afval (KCA).

The socket-outlet should be installed near the equipment and be easily accessible.

Warning on power connection

Use a proper power cord for your local power supply.

	The United States, Canada		Continental Europe		UK, Ireland, Australia, New Zealand	Japan
Plug type	VM0233	290B	YP-12A	COX-07	— ¹⁾	YP332
Female end	VM0089	386A	YC-13B	COX-02	VM0310B	YC-13
Cord type	SJT	SJT	H05VV-F	H05VV-F	N13237/CO-228	VCTF
Rated Voltage & Current	10A/125V	10A/125V	10A/250V	10A/250V	10A/250V	7A/125V
Safety approval	UL/CSA	UL/CSA	VDE	VDE	VDE	DENAN

1) Use the correct plug for your country.

Table of Contents

Overview

Precautions	7 (GB)
Features	8 (GB)
Location and Function of Controls	9 (GB)
Front/Left Side	9 (GB)
Rear/Right Side/Bottom	9 (GB)
Control panel	11 (GB)
Connector panel	12 (GB)
Remote Commander	13 (GB)

Setting up and projecting

Installing the Projector	14 (GB)
Connecting	15 (GB)
Connecting with a Computer	15 (GB)
Connecting with a VCR/15k RGB/Component Equipment	17 (GB)
Selecting the Menu Language	18 (GB)
Projecting	19 (GB)
Effective tools for your presentation	21 (GB)

Adjustments and settings using the menu

Using the MENU	22 (GB)
The PICTURE CTRL Menu	22 (GB)
The INPUT SETTING Menu	24 (GB)
The SET SETTING Menu	26 (GB)
The INSTALL SETTING Menu	27 (GB)

Installation

Installation Examples	28 (GB)
Floor Installation	28 (GB)
Ceiling Installation	29 (GB)
Notes for Installation	30 (GB)
Unsuitable Installation	30 (GB)
Unsuitable Conditions for Use	30 (GB)

Maintenance

Maintenance	32 (GB)
Replacing the Lamp	32 (GB)
Cleaning the Air Filter	33 (GB)
Troubleshooting	34 (GB)

Other

Specifications	36 (GB)
Index	42 (GB)

Precautions


On safety

- Check that the operating voltage of your unit is identical with the voltage of your local power supply.
- Should any liquid or solid object fall into the cabinet, unplug the unit and have it checked by qualified personnel before operating it further.
- Unplug the unit from the wall outlet if it is not to be used for several days.
- To disconnect the cord, pull it out by the plug. Never pull the cord itself.
- The wall outlet should be near the unit and easily accessible.
- The unit is not disconnected to the AC power source (mains) as long as it is connected to the wall outlet, even if the unit itself has been turned off.
- Do not look into the lens while the lamp is on.
- Do not aim the laser at people or not look into the laser transmitter.
- Do not place your hand or objects near the ventilation holes — the air coming out is hot.
- Be careful not to catch your fingers by the adjuster when you lift up the projector. Do not push hard on the top of the projector with the adjuster out.

On illumination

- To obtain the best picture, the front of the screen should not be exposed to direct lighting or sunlight.
- Ceiling-mounted spot lighting is recommended. Use a cover over fluorescent lamps to avoid lowering the contrast ratio.
- Cover any windows that face the screen with opaque draperies.
- It is desirable to install the projector in a room where floor and walls are not of light-reflecting material. If the floor and walls are of reflecting material, it is recommended that the carpet and wall paper be changed to a dark color.

On preventing internal heat build-up

After you turn off the power with the I /  key on the Remote Commander or on the control panel, do not disconnect the unit from the wall outlet while the cooling fan is still running.

Caution

The projector is equipped with ventilation holes (intake) on the bottom and ventilation holes (exhaust) on rear. Do not block or place anything near these holes, or internal heat build-up may occur, causing picture degradation or damage to the projector.

On cleaning

- To keep the cabinet looking new, periodically clean it with a soft cloth. Stubborn stains may be removed with a cloth lightly dampened with a mild detergent solution. Never use strong solvents, such as thinner, benzene, or abrasive cleansers, since these will damage the cabinet.
- Avoid touching the lens. To remove dust on the lens, use a soft dry cloth. Do not use a damp cloth, detergent solution, or thinner.
- Clean the filter at regular intervals every 300 hours.

On repacking

- Save the original shipping carton and packing material; they will come in handy if you ever have to ship your unit. For maximum protection, repack your unit as it was originally packed at the factory.

On LCD projector

The LCD projector is manufactured using high-precision technology. You may, however, see tiny black points and/or bright points (red, blue, or green) that continuously appear on the LCD projector. This is a normal result of the manufacturing process and does not indicate a malfunction.

Features

High brightness, high picture quality

- **High brightness**

The high aperture ratio LCD panel with a microlens and the 200 W UHP lamp allow high brightness (light output 1800 ANSI lumen for VPL-PX21 (without a microlens), and 2800 ANSI lumen for VPL-PX31) and excellent uniformity on the picture.

- **High resolution**

By adopting three 1.3-inch, approximately 790,000-pixels XGA panels, this projector can project sharp picture with the resolutions of 1024 × 768 pixels for RGB input and 750 horizontal TV lines for video input.

- **High picture performance**

This projector utilizes 3D Digital Gamma correction for good picture uniformity. And the internal RGB enhancer provides sharper RGB images.

Simple setup

- **Sony original high performance APA (Auto Pixel Alignment) function**

You can get the clearest picture automatically by simply pressing the APA key when the signal is input from a computer.

- **Simple setup with external equipment**

This projector has 44 kinds of preset data for input signals. You can get a suitable picture by connecting an equipment with supplied cable and pressing the APA key.

- **USB, Digital RGB and 5BNC connectors**

USB equipment (e.g., USB mouse) allows you to expand your system. Using the application software supplied with the projector allows you to control the projector from your computer operated with Windows¹⁾ 98/98 Second Edition/2000 operating system. The Digital RGB connector allows you to connect the projector to a Digital RGB equipment. The 5BNC input connector allows you to connect the projector to a workstation output high-resolution signals and to connect the projector to a computer from a long distance.

Easy presentation

- **Remote Commander with mouse control and laser pointer functions**

With the built-in mouse receiver, you can operate a computer with the Remote Commander. For presentations, you can use the laser pointer built into the Remote Commander.

- **Digital ZOOM, FUNCTION and HELP keys on the Remote Commander**

The Digital ZOOM allows you to enhance your presentation by zooming in on the image. You can allocate a presentation file to the FUNCTION keys by using the application software (CD-ROM) supplied with the projector. Just pressing the FUNCTION key opens the file immediately. The HELP key will be helpful if you encounter a problem during operation.

- **High portability**

This projector is compact-7.2kg (15lb 14oz), portable size. With such a feature, a carrying handle contributes to a convenient carrying, and you can carry it everywhere you want.

Multi scan compatibility

- **Scan converter built-in**

This projector has a built-in scan converter which converts the input signal within 1024 × 768 pixels.

- **Accept various input signals**

This projector accepts video signals of the composite, S video, and component as well as the 15k RGB, VGA²⁾, SVGA²⁾, XGA²⁾ and SXGA²⁾ signals, which all can be displayed.

- **Compatible with six color systems**

NTSC^{3,58}, PAL, SECAM, NTSC^{4,43³⁾}, PAL-M or PAL-N color system can be selected automatically or manually.

Other functions

Plug & Play

This projector complies with DDC1 and DDC2B. (DDC1 and DDC2B are the Display Data Channel (DDCTM)⁴⁾ standard in the VESA standard.)

When connecting a DDC1 host system, the projector synchronizes with V.CLK that follows the VESA standard and outputs EDID (Extended Display Identification Data) to the data line.

When connecting a DDC2B host system, the projector automatically switches to the appropriate communication mode.

1) Windows is a registered trademark of Microsoft Corporation (U.S.A. and other countries).

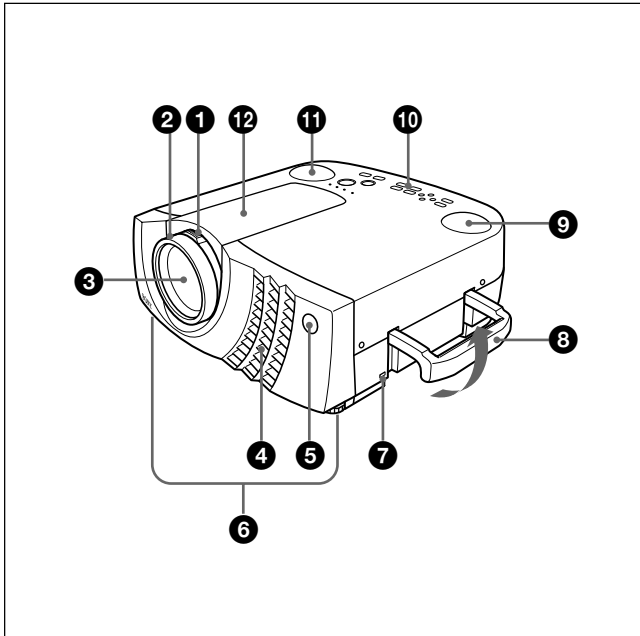
2) VGA, SVGA, XGA and SXGA are registered trademarks of the International Business Machines Corporation, U.S.A.

3) NTSC^{4,43} is the color system used when playing back a video recorded on NTSC on an NTSC^{4,43} system VCR.

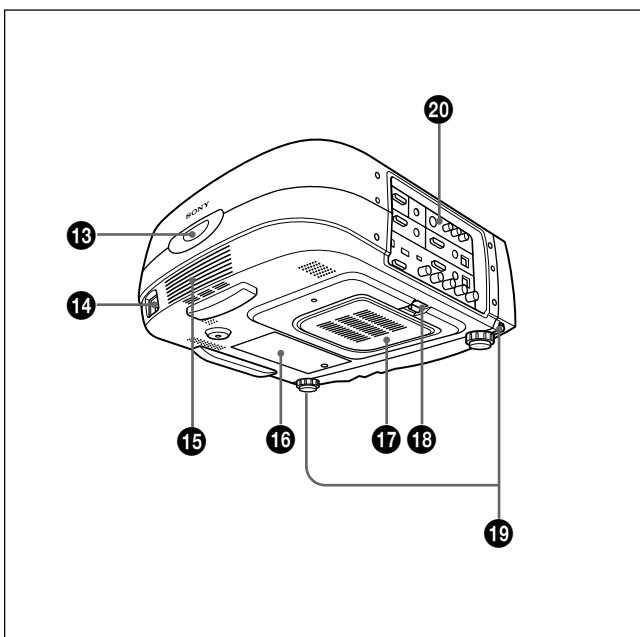
4) DDCTM is a registered trademark of the Video Electronics Standard Association.

Location and Function of Controls

Front/Left Side



Rear/Right Side/Bottom



1 Zoom ring
Adjusts the size of the picture.

2 Focus ring
Adjusts the picture focus.

3 Lens
Open the lens cap before projection.

4 Ventilation holes (exhaust)

5 Front remote control detector (SIRCS receiver)

6 Adjuster
When a picture is projected on the out of the screen, adjust the picture using this adjuster.
For details on how to use the adjusters, see "How to use the adjuster" on page 10 (GB).

7 Security lock
Connects to an optional security cable (made by Kensington)¹⁾.

The security lock corresponds to Kensington's MicroSaver^{®1)} Security System.
If you require further information, contact
Kensington
2855 Campus Drive, San Mateo, CA 94403

In North America
Phone: 800-235-6708
Fax: 800-247-1317

Outside North America
Phone: 847-541-9500

Home page address:
<http://www.kensington.com/>

8 Carrying handle
Pull up the handle from the projector for carrying.

9 Left speaker

10 Control panel
For details, see "Control panel" on page 11 (GB).

11 Right speaker

12 Lens hood

13 Rear remote control detector (SIRCS receiver)

1) Kensington and MicroSaver are registered trademarks of Kensington Technology Group.

14 AC IN socket

Connects the supplied AC power cord.

15 Rear speaker

16 Lamp cover

17 Ventilation holes (intake)/air filter cover

Notes

- Do not place anything near the ventilation holes as it may cause internal heat build-up.
- Do not place your hand or objects near the ventilation holes — the air coming out is hot.

18 Air filter cover button

Used to remove the air filter cover.

For details, see “Cleaning the Air Filter” on page 33 (GB).

Note

Clean the air filter every 300 hours to ensure optimal performance.

19 Adjuster buttons

20 Connector panel

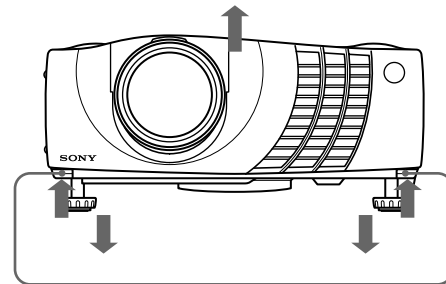
For details, see page 12 (GB).

How to use the adjuster

To adjust the height

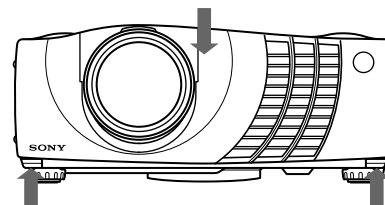
Adjust the height of the projector as follows:

- 1** Lift the projector and press the adjuster buttons. The adjusters will extend from the projector.



Adjuster buttons

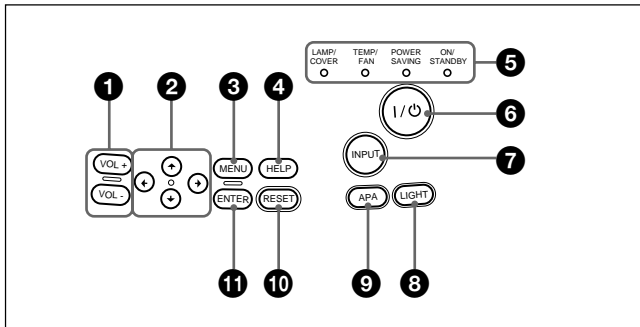
- 2** While pressing the buttons, lower the projector. Then, release the buttons. The adjusters will lock, then the height of the projector will be fixed. For fine adjustment, turn the adjusters to the right and the left.



Notes

- Be careful not to let the projector down on your fingers.
- Do not push hard on the top of the projector with the adjusters out.

Control panel



1 VOL +/- keys

Adjust the volume of the built-in speakers and output level of the AUDIO jack.

- + : Increases the volume.
- : Decreases the volume.

2 Arrow keys (↑/↓/←/→)

Used to select the menu or to make various adjustments.

3 MENU key

Displays the on-screen menu. Press again to clear the menu.

4 HELP key

If you need help information during an operation, press this key to display help messages. The Help menu lists error recoveries depending on problem type.

5 Indicators

LAMP/COVER: Lights up or flashes under the following conditions:

- Lights up when the lamp has reached the end of its life or becomes a high temperature.
- Flashes when the lamp cover or air filter cover is not secured firmly.

TEMP (Temperature)/FAN: Lights up or flashes under the following conditions:

- Lights up when temperature inside the projector becomes unusually high.
- Flashes when the fan is broken.

POWER SAVING: Lights up when the projector is in the power saving mode. When POWER SAVING in the SET SETTING menu is set to ON, the projector goes into the power saving mode if no signal is input for 10 minutes. Although the lamp goes out, the cooling fan keeps running. In the power saving mode, any key does not function for the first 40 seconds. The power saving mode is canceled when a signal is input or any key is pressed.

ON/STANDBY: Lights up or flashes under the following conditions:

- Lights in red when the AC power cord is plugged into the wall outlet. Once in the standby mode, you can turn on the projector with the I / ⏻ key.

- Lights in green when the power is turned on.
- Flashes in green while the cooling fan runs after turning off the power with the I / ⏻ key. The fan runs for about 120 seconds after turning off the power. The ON/STANDBY indicator flashes quickly for the first 40 seconds. During this time, you cannot turn the power back on with the I / ⏻ key.

For details on the LAMP/COVER and the TEMP/FAN indicators, see page 35 (GB).

6 I / ⏻ (on / standby) key

Turns on and off the projector when the projector is in the standby mode. The ON/STANDBY indicator lights in green when the power is turned on.

When turning off the power, press the I / ⏻ key twice following the message on the screen, or press and hold the key for about one second.

For details on steps for turning off the power, see “To turn off the power” on page 20 (GB).

7 INPUT key

Selects the input signal. Each time you press the key, the input signal switches as follows:



The audio signals are common to the VIDEO and S-VIDEO.

8 LIGHT key

If you press this key while the power is on, the keys on the control panel will be displayed in orange. Press this key to turn off the light.

9 APA (Auto Pixel Alignment) key

Adjusts a picture to be projected clearest automatically while a signal from the computer is input. Adjust the shift (up/down and left/right) at the same time automatically.

Note

Press the APA key when the full image is displayed on the screen. If there are black edges around the image, the APA function will not function properly and the image may extend beyond the screen.

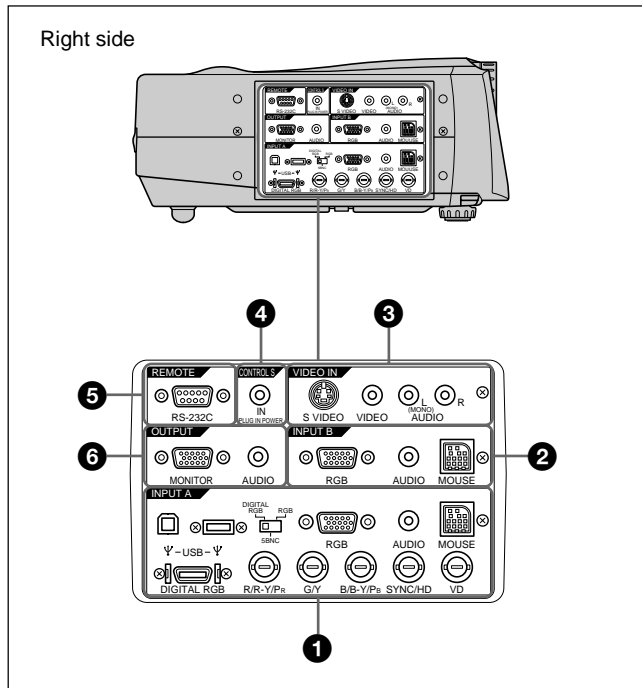
10 RESET key

Resets the value of an item back to its factory preset value. This key functions when the menu or a setting item is displayed on the screen.

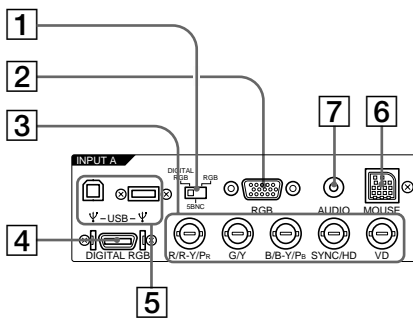
11 ENTER key

Enters the settings of items in the menu system.

Connector panel



1 INPUT A connectors



- 1 **DIGITAL RGB/5BNC/RGB switch:** Selects DIGITAL RGB, 5BNC or RGB on INPUT A connectors. Select the appropriate position depending on the input signal.
DIGITAL RGB: Signal input from DIGITAL RGB connector.
5BNC: Signal input from the 5BNC connector.
RGB: Signal input from the RGB connector.
- 2 **RGB input connector (HD D-sub 15-pin, female):** Connects to the monitor output on a computer using the supplied cable. This connector only accepts signals from a computer.
- 3 **5BNC input connectors (R/R-Y/Pr, G/Y, B/B-Y/Pb, SYNC/HD, VD connectors) (BNC type):** Connect to a high-resolution computer or VCR where signals are transmitted long distances; for example, when the projector has been hung from the ceiling.
 According to the connected equipment, computer, component (R-Y/Y/B-Y), HDTV or DTV (DTV GBR, DTV YPbPr) signal is selected.

- 4 **DIGITAL RGB input connector (DFP 20-pin, TMDS):** Connects to a digital RGB output connector on external equipment.
- 5 **USB connector:** Connects your computer or USB equipment.
A plug: (Right, for downstream, 4-pin): Connects to USB equipment.
B plug: (Left, for upstream, 4-pin): Connects to a computer. If you connect the projector and a computer, the projector automatically assumes that a USB mouse is connected; this allows you to control the mouse from the Remote Commander. The application software supplied with the projector allows you to control the projector from your computer.
- 6 **MOUSE (13-pin) connector:** Connects to the mouse port on a computer to control the mouse function using the supplied mouse cable.
- 7 **AUDIO (stereo mini-jack) jack:** Connects to the audio output on a computer.

2 INPUT B connectors

Connect to external equipment such as a computer. You can control the mouse signal with the Remote Commander.

- RGB input (HD D-sub 15-pin, female):** Connects to the monitor output on a computer using the supplied cable. This connector only accepts signals from a computer.
- AUDIO (stereo mini-jack):** Connects to the audio output on a computer.
- MOUSE (13-pin):** Connects to the mouse port on a computer to control the mouse function using the supplied mouse cable.

3 VIDEO IN jacks

Connect to external video equipment such as a VCR.
S VIDEO (mini DIN 4-pin): Connects to the S video output (Y/C video output) on video equipment.
VIDEO (phono type): Connects to the composite video output.
AUDIO input L (MONO)/R (phono type): Connect to the audio output of equipment. For stereo equipment, use both the L and R jacks; for monaural equipment, use the L (MONO) jack only.
 The audio signals are common to the VIDEO and S VIDEO.

4 CONTROL S IN/PLUG IN POWER (DC 5V output) jack

Connects to the control S out jacks of the Sony equipment. Connects to the CONTROL S OUT jack on the supplied Remote Commander when using it as a wired Remote Commander. In this case, you do not need to install the batteries in the Remote Commander, since the power is supplied from this jack.

5 RS-232C connector (D-sub 9-pin, female)

Connects to a computer to operate the projector from the computer.

6 OUTPUT connectors

MONITOR (HD D-sub 15-pin, female): Connects to the video input connector on the monitor.

Outputs signals from the selected channel in the INPUT A (RGB or 5BNC) or INPUT B (RGB) connector. This connector does not output any signals from the DIGITAL RGB connector.

AUDIO (phono type): Connects to external active speakers.

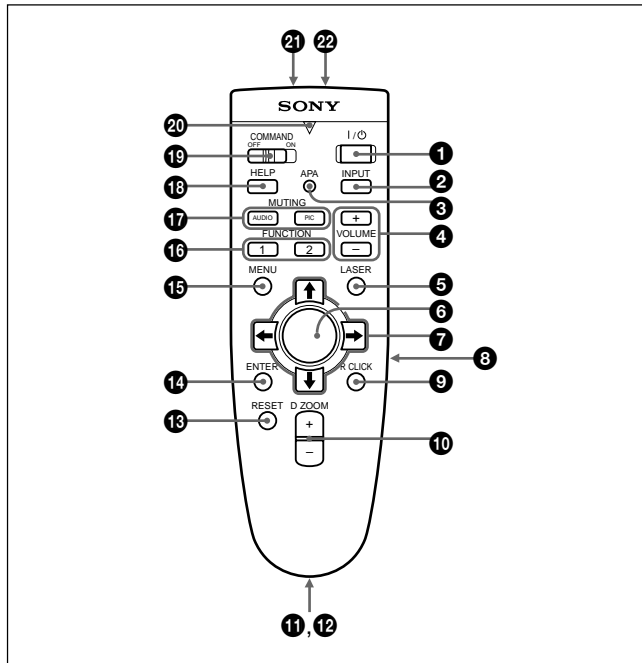
The volume of the speakers can be controlled by the VOLUME +/- keys on the Remote Commander or the VOL +/- keys on the control panel.

Remote Commander

The keys which have the same names as on the control panel function identically.

You can control a connected computer using the Remote Commander.

For details, see "Connecting with a Computer" on page 15 (GB).

**Notes on laser beam**

- Do not look into the laser transmitter.
- Do not aim the laser at people.

1 I/O key

2 INPUT key

3 APA (Auto Pixel Alignment) key

4 VOLUME +/- keys

5 LASER key

Emits laser beam from the laser transmitter when you press this key.

6 Joy stick

Functions as a mouse of a computer connected to the unit.

7 Arrow keys (↑/↓/←/→)

8 L CLICK key

Functions as a left button on a mouse. When connected to a Macintosh¹⁾ computer, the L CLICK key functions as a mouse button.

9 R CLICK key

Functions as a right button on a mouse. When connected to a Macintosh computer, the R CLICK key functions as a mouse button.

10 D ZOOM +/- key

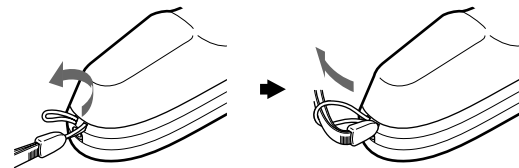
Enlarges the image at a desired location on the screen.

+ : Pressing the + key once displays the icon. This icon indicates the point you want to enlarge. Use an arrow key (↑/↓/←/→) to move the icon to the point to be enlarged. Press the + key repeatedly until the image is enlarged to your requirements.

- : Pressing the - key reduces an image that has been enlarged with the D ZOOM + key.

11 Strap holder

Attaches the supplied strap.

**12 CONTROL S OUT jack (stereo minijack)**

Connects to the CONTROL S IN jack on the projector with the connecting cable (not supplied) when using the Remote Commander as a wired one. In this case, you do not need to install the batteries since the power is supplied via the CONTROL S IN jack on the projector.

13 RESET key

14 ENTER key

15 MENU key

16 FUNCTION 1/2 keys

When you connect the projector with a computer, you can open a file on the screen by just pressing the FUNCTION key. This will enhance your presentation. To use this function, allocate a file to the FUNCTION key by using the application software. For details on how to allocate a file to the FUNCTION key, refer to the help file of the application software.

1) Macintosh is a registered trademark of Apple Computer, Inc.

17 MUTING keys

Cut off the picture and sound.

PIC: Cuts off the picture. Press again to restore the picture.

AUDIO: Cuts off the sound from speakers and AUDIO jack. Press again or press the VOLUME + key to restore the sound.

18 HELP key

If you need help information during an operation, press this key to display help messages.

19 COMMAND ON/OFF switch

When this switch is set to OFF, no key on the Remote Commander function. This saves the battery power.

20 Transmission indicator

Lights up when you press a key on the Remote Commander.

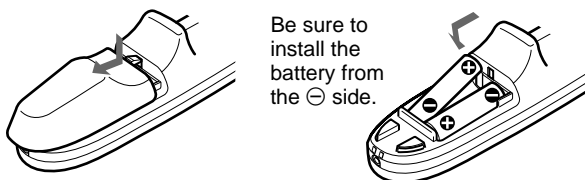
This indicator does not light up when you use the laser pointer.

21 Infrared transmitter

22 Laser transmitter

Battery installation

- 1 Push and slide to open the lid, then install the two size AA (R6) batteries (supplied) with the correct polarity.



- 2 Replace the lid.

Notes on batteries

- Make sure that the battery orientation is correct when inserting batteries.
- Do not mix an old battery with a new one, or different types of batteries.
- If you will not use the Remote Commander for a long time, remove the batteries to avoid damage from battery leakage. If batteries have leaked, remove them, wipe the battery compartment dry and replace the batteries with new ones.

Notes on Remote Commander operation

- Make sure that there is nothing to obstruct the infrared beam between the Remote Commander and the remote control detector on the projector.
- The operation range is limited. The shorter the distance between the Remote Commander and the projector is, the wider the angle within which the commander can control the projector.

Installing the Projector

This section describes the installation arrangements for installing the projector.

Horizontal center of the screen

The distance between the lens and the screen varies depending on the size of the screen. Use the following table as a guide.

		Unit: m (feet)							
Screen size (inches)		40	60	80	100	120	150	200	300
Minimum Distance		1.5 (4.9)	2.3 (7.5)	3.1 (10.0)	3.9 (12.6)	4.6 (15.2)	5.8 (19.1)	7.8 (25.5)	11.7 (38.4)
Maximum Distance		1.8 (6.0)	2.8 (9.1)	3.7 (12.3)	4.7 (15.4)	5.7 (18.6)	7.1 (23.3)	9.5 (31.2)	14.3 (46.9)

Connecting

Connecting with a Computer

This section describes how to connect the projector to a computer.

You can control the projector from your computer by using the application software supplied with the projector, and/or you can use USB equipment. For details, see "Using USB equipment (e.g., USB mouse)".

When the projector is connected to a computer, you can control the mouse of a computer by the Remote Commander.

The R/L CLICK keys and joy stick function as follows.

Note

Make sure that there is nothing to obstruct the infrared beam between the Remote Commander and the remoter control detector on the projector.

Key and joy stick	Function	
	IBM PC/AT ¹⁾ compatible, Serial	Macintosh
R CLICK (front)	Right button	Mouse button
L CLICK (rear)	Left button	Mouse button
Joy stick	Corresponds with the movements of the mouse	

Also refer to the instruction manual of equipment to be connected.

Notes

- This unit accepts the VGA, SVGA, XGA or SXGA signals. However, we recommend you to set the output signal of your computer to the XGA.
- If you set your computer, such as a notebook type IBM PC/AT compatible, to output the signal to both the display of your computer and the external monitor, the picture of the external monitor may not appear properly. In such cases, set the output mode of your computer to output the signal to only the external monitor.

For details, refer to the operating instructions supplied with your computer.

- The RGB input connectors of the INPUT A/B and DIGITAL RGB connector of the INPUT A comply with the VESA DDC2B. If your computer or graphics board is compatible with DDC, turn on the power of the equipment as follows:
 - 1 Connect the projector to the computer with the HD D-sub 15-pin cable.
 - 2 Turn on the power of the projector.
 - 3 Boot up the computer.

When making connections, be sure to:

- turn off all equipment before making any connections.
- use the proper cables for each connection.

- insert the plugs of the cables properly; plugs that are not fully inserted often generate noise. When pulling out a cable, be sure to pull it out from the plug, not the cable itself.

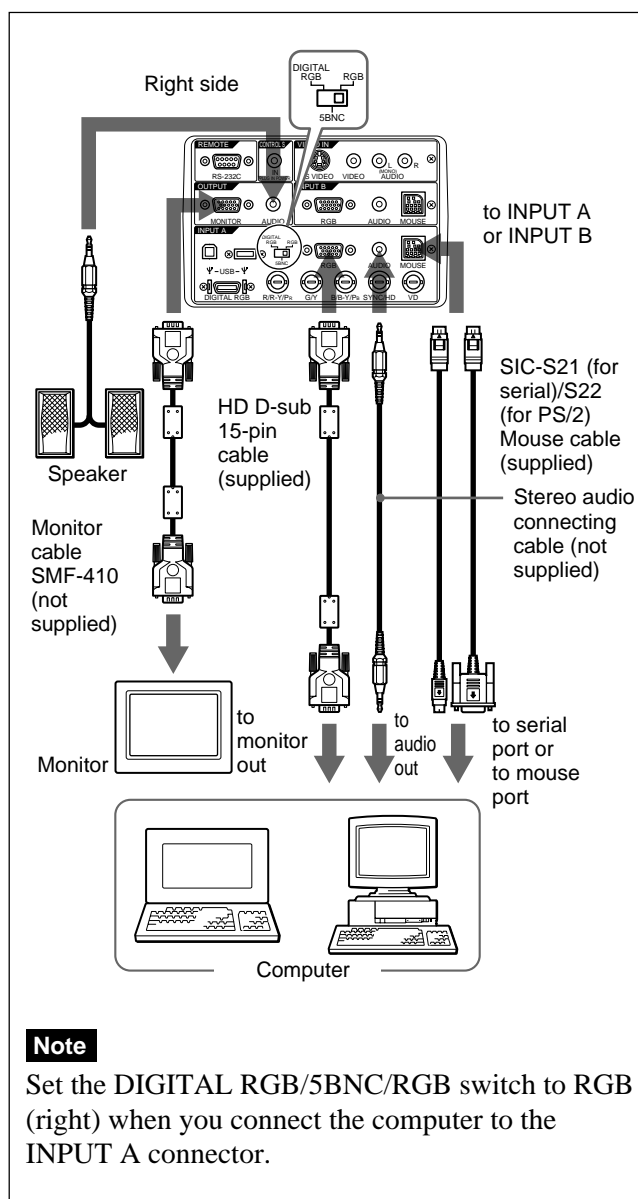
Notes

- Connect all the connecting cables to the INPUT A connector when you input a signal from the INPUT A connector.

Connect all the cables to the INPUT B connector when you input a signal from the INPUT B connector as well.

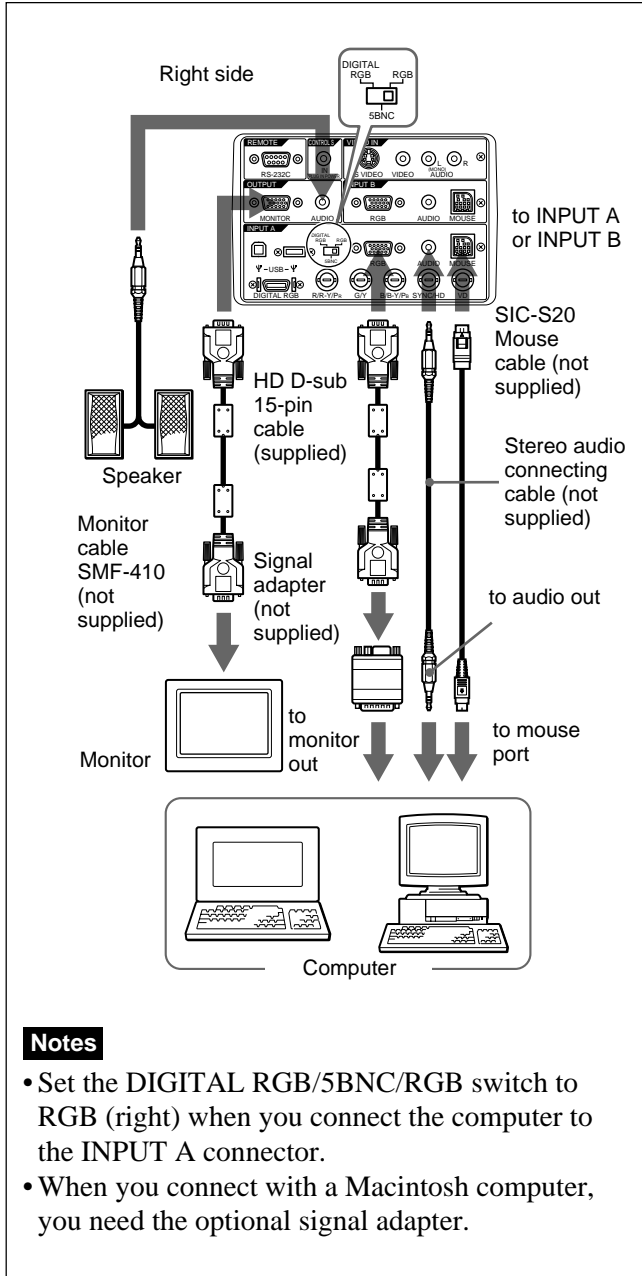
- Supplied mouse cables may not work properly according to your computer.

When connecting with an IBM PC/AT compatible computer



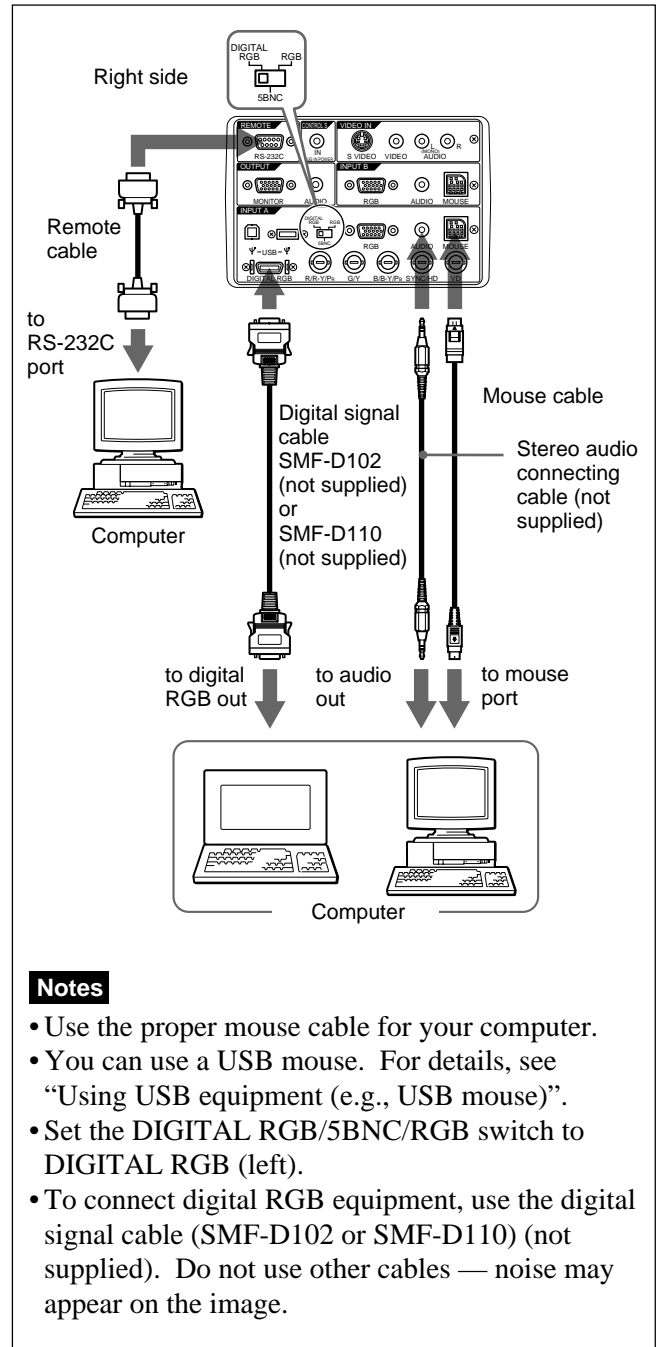
1) IBM and PC/AT are a trademark and a registered trademark of International Business Machines Corporation, U.S.A.

When connecting with a Macintosh computer



Using the DIGITAL RGB (TMDS) connector

Connect the computer to the DIGITAL RGB (TMDS) connector on the connector panel.

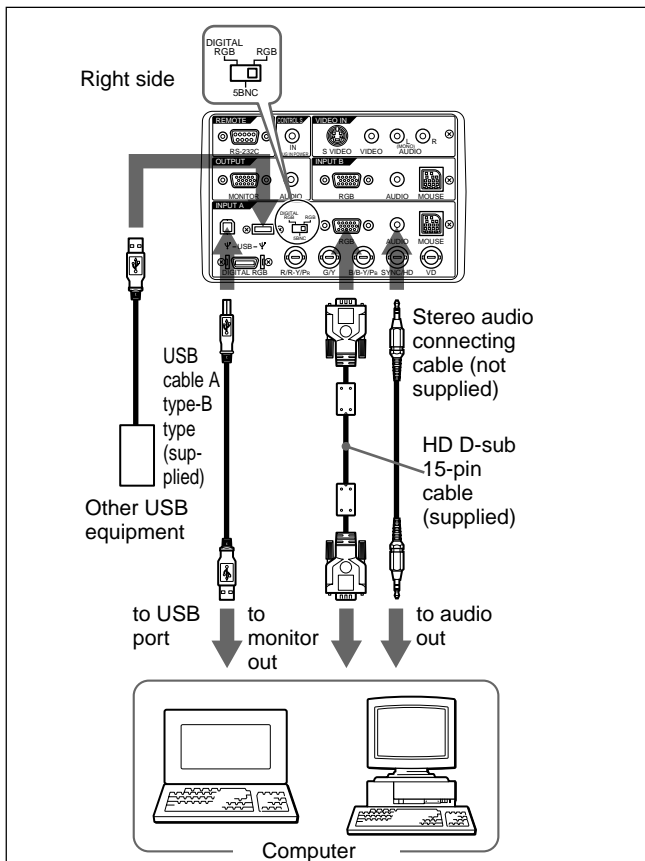


Note
If you use the DIGITAL RGB (TMDS) connector, the MONITOR connector will not output image signals.

Using USB equipment (e.g., USB mouse)

Connect the USB equipment to the USB connector on the connector panel.

You can connect your computer to the projector via the RGB connector, 5BNC connector or DIGITAL RGB connector. (The example below uses the RGB connector.)



Note

Set the DIGITAL RGB/5BNC/RGB switch to the suitable position depending on the connection.

On the USB function

When connecting the projector to a computer by using the USB cable for the first time, the computer recognizes the following devices automatically.

- 1 USB hub (general use)
- 2 USB human interface device (wireless mouse function)
- 3 USB human interface device (projector control function)

The computer also recognizes the device connected to the downstream connector on the projector.

Recommended operating environment

When you use the USB function, connect your computer as illustrated above. This application software and the USB function can be used on a computer loaded with Windows 98, Windows 98 SE or Windows 2000 preinstall models.

Notes

- As the projector recognizes the USB mouse when the computer is connected to the USB connector, do not connect anything to the MOUSE connector.
- Your computer may not start correctly when connected to the projector via the USB cable. In this case, disconnect the USB cable, restart the computer, then connect the computer to the projector using the USB cable.
- This projector is not guaranteed for suspend, standby mode. When you use the projector in suspend, standby mode, disconnect the projector from the USB port on the computer.
- Operations are not guaranteed for all the recommended computer environments.

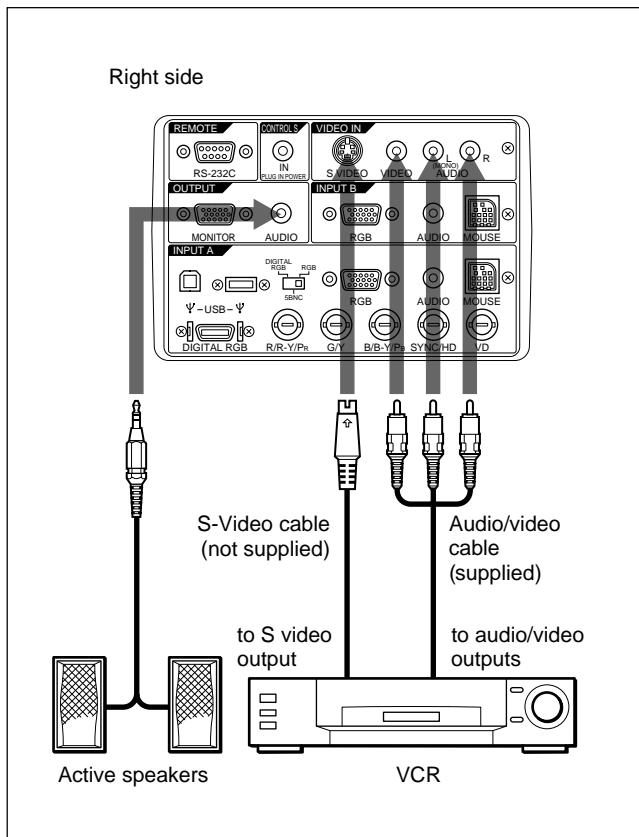
Connecting with a VCR/15k RGB/Component Equipment

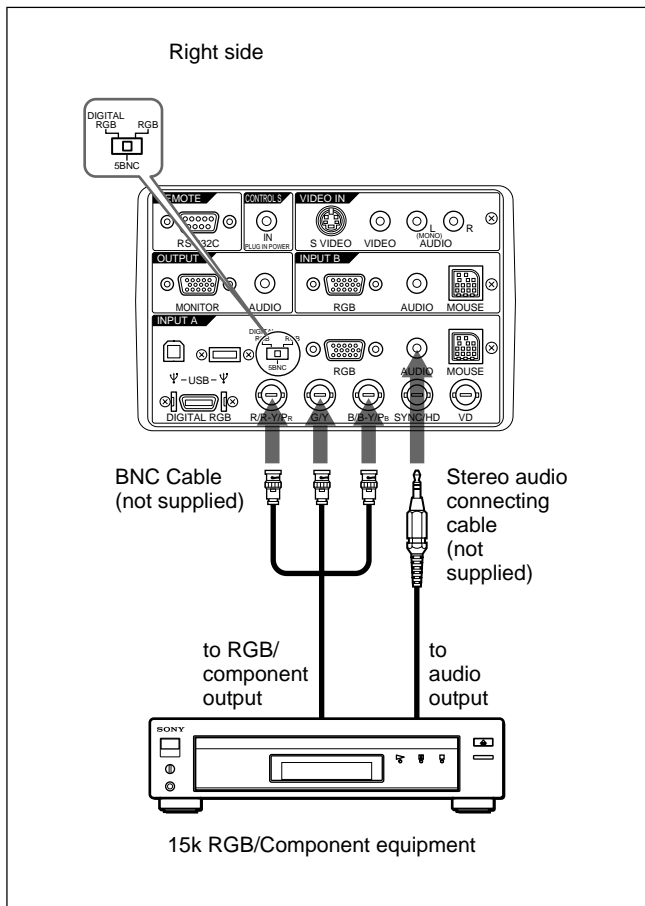
This section describes how to connect the projector with a VCR, external active speakers, and 15k RGB/component equipment.

Also refer to the instruction manuals of the equipment to be connected.

When making connections, be sure to:

- turn off all equipment before making any connections.
- use the proper cables for each connection.
- insert the plugs of the cables properly; plugs that are not fully inserted often generate noise. When pulling out a cable, be sure to pull it out from the plug, not the cable itself.





Notes

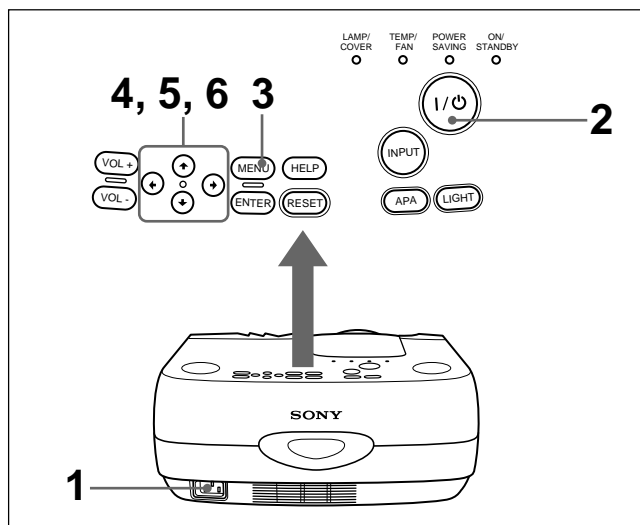
- Set the aspect ratio using ASPECT in the INPUT SETTING menu according to the input signal.
- To connect a 15k RGB/Component equipment, select the COMPUTER/COMPONENT/DTV YPbPr/DTV GBR in the INPUT-A in the SET SETTING menu according to the input signal.
- Use the composite sync signal when you input the external sync signal from 15k RGB/component equipment.

Connecting to a HDTV 1035/60i

Since the screen ratio of a high definition image is 16:9 and 576 lines are displayed in the vertical direction, the image displayed is not a high-definition image.

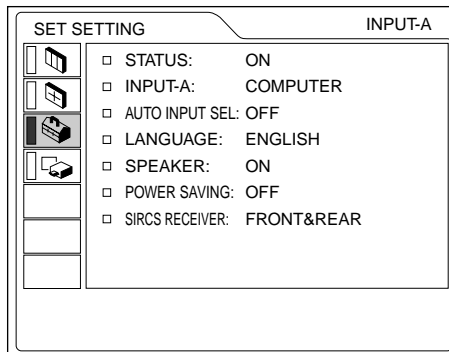
Selecting the Menu Language

You can select the language for displaying in the menu and other on screen displays. The factory setting is ENGLISH.



- 1 Plug the AC power cord into the wall outlet.
- 2 Press the I / ⏻ key to turn on the power.
- 3 Press the MENU key.
The menu display appears.
- 4 Select the icon of SET SETTING Menu, the third one, with the ↑ or ↓ key, then press the → or ENTER key.

The SET SETTING Menu appears.



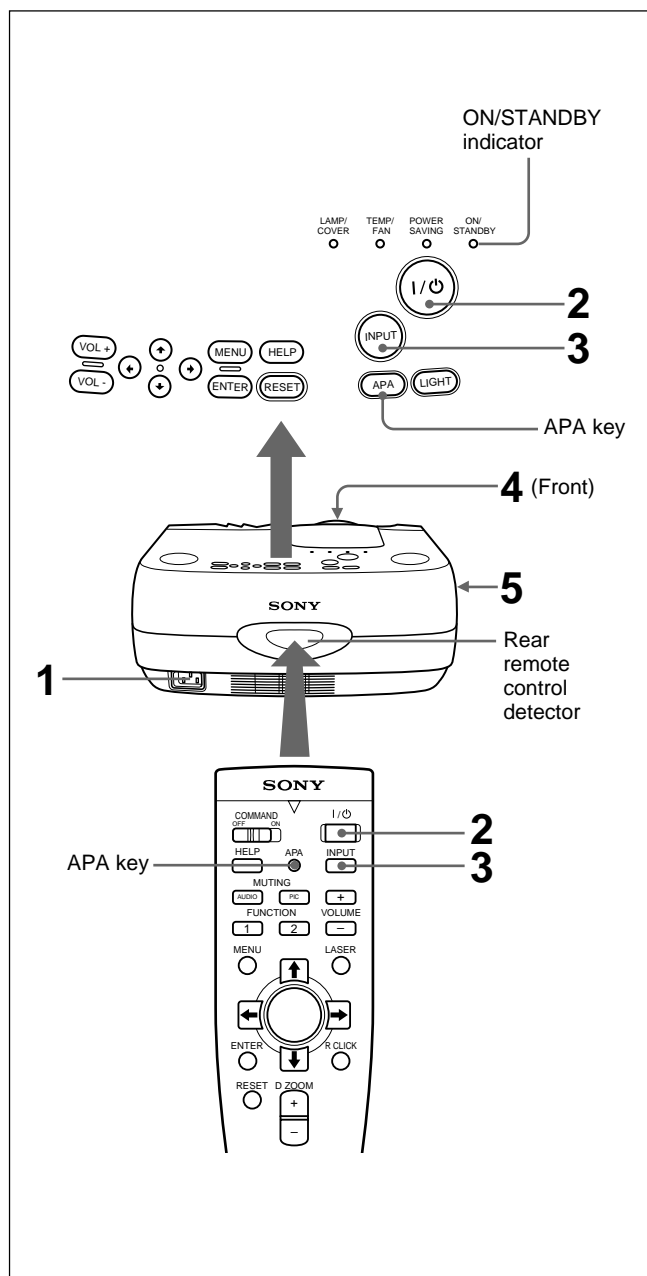
- 5 Select LANGUAGE with the ↑ or ↓ key, then press the → or ENTER key.
- 6 Select the language desired with the ↑ or ↓ key, then press the ← or ENTER key.

The menu changes into the selected language .

To clear the menu display

Press the MENU key.
The menu display disappears automatically if no key is pressed for one minute.

Projecting



- 1** After all equipment is connected completely, plug the AC power cord into the wall outlet.
The ON/STANDBY indicator lights in red and the projector goes into the standby mode.
- 2** Press the I / O key.
The ON/STANDBY indicator lights in green.
- 3** Turn on equipment connected to the projector. Press the INPUT key to select the input source.
INPUT-A: Selects audio and video signals input from the INPUT A connector.

- INPUT-B:** Selects audio and video signals input from the INPUT B connector.
- VIDEO:** Selects audio and video signals input from the AUDIO/VIDEO (VIDEO IN) jacks.
- S-VIDEO:** Selects audio and video signals input from the AUDIO/S VIDEO (VIDEO IN) jacks.

Note

The AUDIO (VIDEO IN) jacks are used as audio outputs of both VIDEO and S-VIDEO.

- 4** Turn the zoom ring to adjust the size of the picture.
- 5** Turn the focus ring to adjust the focus.

Note

Looking into the lens when projecting may cause injury to your eyes.

To	Press
Adjust the volume	the VOL +/- keys on the control panel or the VOLUME +/- keys on the Remoter Commander.
Cut off the sound	the AUDIO MUTING key on the Remote Commander. To restore the sound, press the AUDIO MUTING key again or press the VOL + key on the control panel or the VOLUME + key on the Remote Commander.
Cut off the picture	the PIC MUTING key on the Remote Commander. To restore the picture, press the PIC MUTING key again.

To get the clearest picture

You can get the suitable picture when a signal from the computer is input. Press the APA key. The picture is automatically adjusted to be projected clearest.

Notes

- Adjust the signal when the still picture is displayed on the screen.
- Press the APA key when the full image is displayed on the screen. If there are black edges around the image, the APA function will not function properly and the image may extend beyond the screen.
- If you switch the input signal or re-connect a computer, press the APA key again to get the suitable picture.

- “ADJUSTING” appears on the screen. Press the APA key again during the adjustment to restore the original screen.
- “Complete!” appears on the screen when the picture is adjusted properly. The picture may not be adjusted properly depending on the kinds of input signals.
- Adjust the items in the INPUT SETTING menu when you adjust the picture manually.

For details, see page 24 (GB).

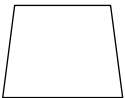
To correct the trapezoid

When the projecting image is a trapezoid, change the projector’s position/height by moving the adjuster.

For details on “How to use the adjuster”, see page 10 (GB).

If the image is still a trapezoid, correct it in DIGIT KEYSTONE in the INSTALL SETTING menu.

When the base edge is longer than the upper edge as shown in the figure below:



Set the value to negative.

When the upper edge is longer than the base edge as shown in the figure below:



Set the value to positive.

For details on “DIGIT KEYSTONE”, see page 27 (GB).

To turn off the power

- 1 Press the I / ⏻ key.

“Power OFF?” appears on the screen.

Note

The message will disappear if you press any key except the I / ⏻ key, or if you do not press any key for five seconds.

- 2 Press the I / ⏻ key.

The ON/STANDBY indicator flashes in green and the fan continues to run for about 120 seconds to reduce the internal heat. Also, the ON/STANDBY indicator flashes quickly for the first 40 seconds. During this time, you will not be able to turn the power back on with the I / ⏻ key.

- 3 Unplug the AC power cord from the wall outlet after the fan stops running and the ON/STANDBY indicator lights in red.

When you cannot confirm the on-screen message

When you cannot confirm the on-screen message in a certain condition, you can turn off the power by holding the I / ⏻ key for about one second.

Note

Do not unplug the AC power cord while the fan is still running; otherwise, the fan will stop although the internal heat is still high, leading to breakdown of the projector.

About the air filter cleaning

Clean the air filter every 300 hours to ensure optimal performance.

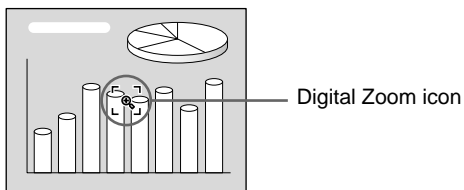
Effective tools for your presentation

To enlarge the image (Digital Zoom function)

You can select a point in the image to enlarge.

- 1 Press the D ZOOM + key on the Remote Commander.

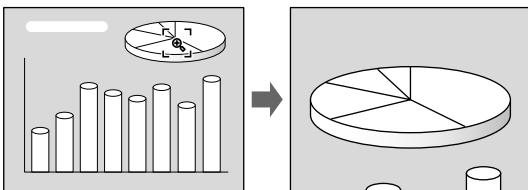
The Digital Zoom icon appears at the center of the image.



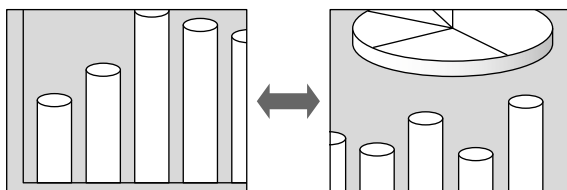
- 2 Move the icon to the point on the image you want to enlarge. Use the arrow keys (↑/↓/←/→) to move the icon.

- 3 Press the D ZOOM + key again.

The image where the icon is located is enlarged. By pressing the + key repeatedly, the image size increases. (ratio of enlargement: max. 4 times)



Use the arrow keys (↑/↓/←/→) to scroll the enlarged image.



To return the image back to its original size

Press the D ZOOM – key on the Remote Commander.

To use the Laser Pointer function

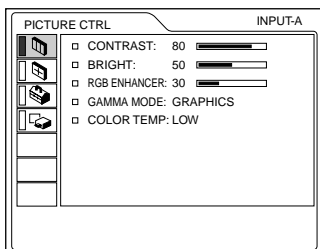
Press the LASER key on the Remote Commander. The laser pointer appears. The pointer is helpful in indicating a particular point on the screen.

Using the MENU

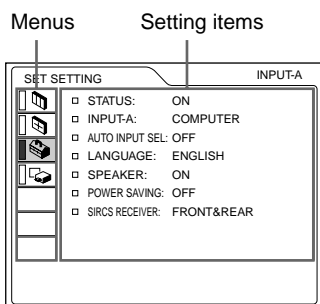
The projector is equipped with an on-screen menu for making various adjustments and settings.

To select the language used in the menu, see page 26 (GB).

- 1 Press the MENU key.
The menu display appears.
The bar on the icon of the currently selected menu is highlighted in yellow.



- 2 Use the ↑ or ↓ key to select a menu, then press the → or ENTER key.
The selected menu appears.



- 3 Make setting or adjustment on an item.
For details on setting individual items, see the relevant menu pages.

To clear the menu display

Press the MENU key.

The menu display disappears automatically if no key is pressed for one minute.

To reset items that have been adjusted

Press the RESET key.

“Complete!” appears on the screen and the settings appearing on the screen will be reset to their factory preset values.

Items which can be reset are:

- “CONTRAST”, “BRIGHT”, “COLOR”, “HUE”, “SHARP” and “RGB ENHANCER” in the PICTURE CTRL menu.
- “DOT PHASE”, “SIZE H” and “SHIFT” in the INPUT SETTING menu.

About the memory of the settings

The settings are automatically stored in the projector memory.

When no signal is input

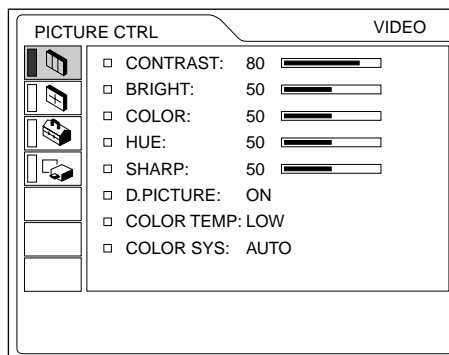
When there is no input signal, “NO INPUT–Cannot adjust this item.” appears on the screen, and each item cannot be adjusted.

The PICTURE CTRL Menu

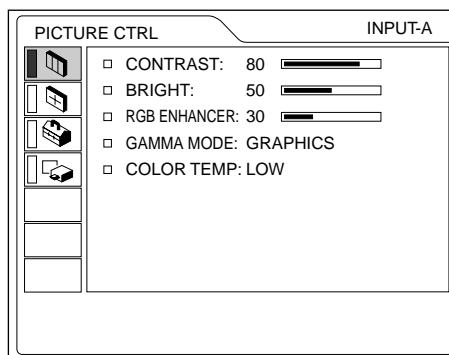
The PICTURE CTRL (control) menu is used for adjusting the picture.

Unadjustable items depending on the input signal are not displayed in the menu.

When the video signal is input



When the RGB signal is input



Operation

1. Select an item

Use the ↑ or ↓ key to select the item, then press the → or ENTER key.

2. Adjust an item

- When changing the adjustment level:
To increase the number, press the ↑ or → key.

To decrease the number, press the **↓** or **←** key.
Press the **ENTER** key to restore the original screen.

- When changing the setting:
Press the **↑** or **↓** key to change the setting.
Press the **ENTER** or **←** key to restore the original screen.

CONTRAST

Adjusts the picture contrast.
The higher the setting, the greater the contrast.
The lower the setting, the lower the contrast.

BRIGHT

Adjusts the picture brightness.
The higher the setting, the brighter the picture.
The lower the setting, the darker the picture.

COLOR

Adjusts color intensity.
The higher the setting, the greater the intensity.
The lower the setting, the lower the intensity.

HUE

Adjusts color tones.
The higher the setting, the picture becomes greenish.
The lower the setting, the picture becomes purplish.

SHARP

Adjusts the picture sharpness.
The higher the setting, the sharper the picture.
The lower the setting, the softer the picture.

RGB ENHANCER

Adjusts the picture sharpness when the RGB signals are input.
The higher the setting, the sharper the picture.
The lower the setting, the softer the picture.

D. (Dynamic) PICTURE

Emphasizes the black color.
ON: Emphasizes the black color to produce a bolder “dynamic” picture.
OFF: Reproduces the dark portions of the picture accurately, in accordance with the source signal.

GAMMA MODE

Selects a gamma correction curve.

GRAPHICS: Improves the reproduction of half tones. Photos can be reproduced in natural tones.

TEXT: Contrasts black and white. Suitable for images that contain lots of text.

COLOR TEMP

Adjusts the color temperature.

HIGH: Makes the white color bluish.

LOW: Makes the white color reddish.

COLOR SYS (System)

Selects the color system of the input signal.

AUTO: Automatically selects one of the following signals: NTSC_{3.58}, PAL, SECAM, NTSC_{4.43}.

PAL-M/N: Automatically selects one of the following signals: PAL-M/PAL-N, NTSC_{3.58}.

Normally, set to AUTO.

If the picture is distorted or colorless, select the color system according to the input signal.

Input signals and adjustable/setting items

Item	Input signal				
	Video or S video (Y/C)	Component	HDTV	RGB ¹⁾	B&W
CONTRAST	●	●	●	●	●
BRIGHT	●	●	●	●	●
COLOR	●	●	●	–	–
HUE	● (NTSC _{3.58} / 4.43 only)	●	●	–	–
SHARP	●	●	●	–	●
RGB ENHANCER	–	–	–	●	–
D. PICTURE	●	● (15k 60/50 only)	–	–	●
GAMMA MODE	–	–	–	●	–
COLOR TEMP	●	●	●	●	●
COLOR SYS	●	–	–	–	●

● : Adjustable/can be set

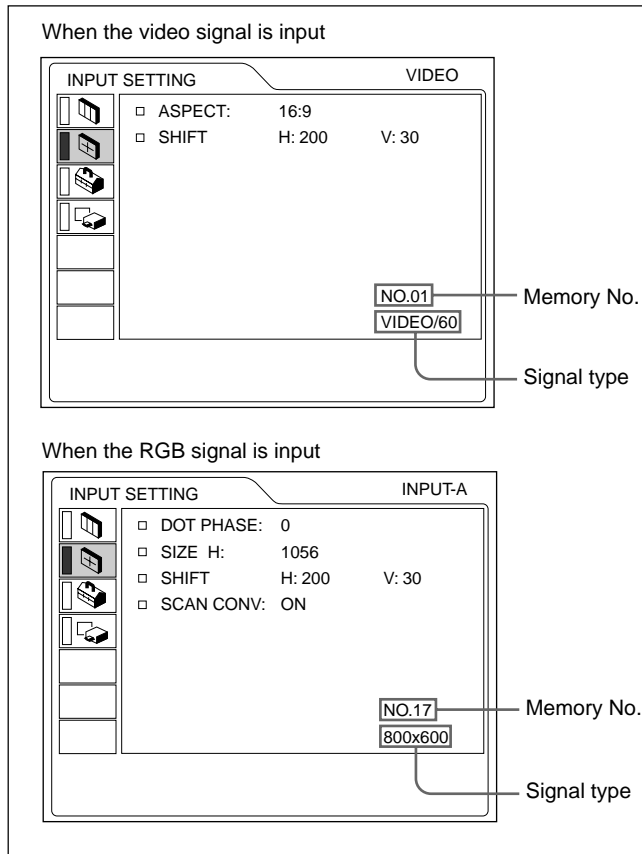
– : Not adjustable/can not be set

1) The RGB signals of a computer

The INPUT SETTING Menu

The INPUT SETTING menu is used to adjust the input signal.

Unadjustable items depending on the input signal are not displayed in the menu.



Operation

1. Select an item

Use the \uparrow or \downarrow key to select the item, then press the \rightarrow or ENTER key.

2. Adjust an item

- When changing the adjustment level:
 - To increase the number, press the \uparrow or \rightarrow key.
 - To decrease the number, press the \downarrow or \leftarrow key.
 - Press the ENTER key to restore the original screen.
- When changing the setting:
 - Press the \uparrow or \downarrow key to change the setting.
 - Press the ENTER or \leftarrow key to restore the original screen.

DOT PHASE

Adjusts the dot phase of the LCD panel and the signal input from the INPUT A/B connector. Adjust the picture further for finer picture after the picture is adjusted with pressing the APA key. Adjust the picture to where it looks clearest.

SIZE H

Adjusts the horizontal size of picture input from the INPUT A/B connector.

The higher the setting, the larger the horizontal size of the picture.

The lower the setting, the smaller the horizontal size of the picture. Adjust the setting according to the dots of the input signal. For details on the suitable value for the preset signals, see page 25 (GB).

SHIFT

Adjusts the position of the picture input from the INPUT A/B connectors or VIDEO IN jacks.

H adjusts the horizontal position of the picture.

V adjusts the vertical position of the picture.

As the setting for H increases, the picture moves to the right, and as the setting decreases, the picture moves to the left.

As the setting for V increases, the picture moves up, and as the setting decreases, the picture moves down.

Use the \leftarrow or the \rightarrow key to adjust the horizontal position and the \uparrow and \downarrow key for the vertical position.

ASPECT

Sets the aspect ratio of the picture.

When inputting 16:9 (squeezed) signal from equipment such as a DVD player, set to 16:9.

4:3 : When the picture with ratio 4:3 is input.

16:9 : When the picture with ratio 16:9 (squeezed) is input.

SCAN CONV (Scan converter)

Converts the signal to display the picture according to the screen size.

ON: Displays the picture according to the screen size. The picture will lose some clarity.

OFF: Displays the picture while matching one pixel of input picture element to that of the LCD. The picture will be clear but the picture size will be smaller.

Note

When the XGA or SXGA signal is input, this item will not be displayed.

Input signals and adjustable/setting items

Item	Input signal				
	Video or S video (Y/C)	15k RGB/Component	HDTV	RGB ¹⁾	B&W
DOT PHASE	–	–	●	●	–
SIZE H	–	–	●	●	–
SHIFT	●	●	●	●	●
ASPECT	●	●	–	–	●
SCAN CONV	–	–	–	● (lower than SVGA only)	–

- : Adjustable/can be set
 – : Not adjustable/can not be set

About the preset memory No.

This projector has 44 kinds of preset data for input signals (the preset memory). The memory number of the current input signal and the signal type are displayed when the preset signal is input. This projector automatically detects the signal type. When the signal is registered to the preset memory, a suitable picture is displayed on the screen according to the signal type. You can adjust the picture through the INPUT SETTING menu.

This projector also has 20 kinds of user memories for each INPUT-A/B. When an unpreset signal is input for the first time, memory number is displayed as 0. If the input signal is adjusted in the INPUT SETTING menu, the setting via INPUT-A/B is stored. When more than 20 user memories are registered for each INPUT-A/B, the newest memory is automatically stored over the oldest one.

Preset signals

1	Video 60 Hz		15.734	59.940	H-neg V-neg	
2	Video 50 Hz		15.625	50.000	H-neg V-neg	
3	15k RGB/Component 60 Hz		15.734	59.940	S on G/Y	
4	15k RGB/Component 50 Hz		15.625	50.000	or	
5	HDTV		33.750	60.000	Composite sync	
6	640 × 350	VGA mode 1	31.469	70.086	H-pos V-neg	800
7		VGA VESA ²⁾ 85 Hz	37.861	85.080	H-pos V-neg	832
8	640 × 400	PC-9801 ³⁾ Normal	24.823	56.416	H-neg V-neg	848
9		VGA mode 2	31.469	70.086	H-neg V-pos	800
10		VGA VESA 85 Hz	37.861	85.080	H-neg V-pos	832
11	640 × 480	VGA mode 3	31.469	59.940	H-neg V-neg	800
12		Macintosh 13"	35.000	66.667	H-neg V-neg	864
13		VGA VESA 72 Hz	37.861	72.809	H-neg V-neg	832
14		VGA VESA 75 Hz	37.500	75.000	H-neg V-neg	840
15		VGA VESA 85 Hz	43.269	85.008	H-neg V-neg	832
16	800 × 600	SVGA VESA 56 Hz	35.156	56.250	H-pos V-pos	1024
17		SVGA VESA 60 Hz	37.879	60.317	H-pos V-pos	1056
18		SVGA VESA 72 Hz	48.077	72.188	H-pos V-pos	1040
19		SVGA VESA 75 Hz	46.875	75.000	H-pos V-pos	1056
20		SVGA VESA 85 Hz	53.674	85.061	H-pos V-pos	1048
21	832 × 624	Macintosh 16"	49.724	74.550	H-neg V-neg	1152
22	1024 × 768	XGA VESA 43 Hz	35.524	43.479	H-pos V-pos	1264
23		XGA VESA 60 Hz	48.363	60.004	H-neg V-neg	1344
24		XGA VESA 70 Hz	56.476	69.955	H-neg V-neg	1328
25		XGA VESA 75 Hz	60.023	75.029	H-pos V-pos	1312
26		XGA VESA 85 Hz	68.677	84.997	H-pos V-pos	1376
27	1152 × 864	SXGA VESA 70 Hz	63.995	70.016	H-pos V-pos	1472
28		SXGA VESA 75 Hz	67.500	75.000	H-pos V-pos	1600
29		SXGA VESA 85 Hz	77.487	85.057	H-pos V-pos	1568
30	1152 × 900	Sunmicro LO	61.795	65.960	H-neg V-neg	1504
31		Sunmicro HI	71.713	76.047	Composite sync	1472
32	1280 × 960	SXGA VESA 60 Hz	60.000	60.000	H-pos V-pos	1800
33		SXGA VESA 75 Hz	75.000	75.000	H-pos V-pos	1728
34	1280 × 1024	SXGA VESA 43 Hz	46.433	43.436	H-pos V-pos	1696
35		SXI-5	53.316	50.062	S on G	1680
36		SXGA VESA 60 Hz	63.974	60.013	H-pos V-pos	1696
37		SXGA VESA 75 Hz	79.976	75.025	H-pos V-pos	1688
38		SXGA VESA 85 Hz	91.146	85.024	H-pos V-pos	1728
43	PC Component 480/60P	480/60P (Double frequency NTSC)	31.470	60.000	S on G	
44	575/50P	575/50P (Double frequency PAL)	31.250	50.000	S on G	
45	1080/50I	1080/50I	28.130	50.000		
46	1080&1152/60	1080/50I-2	31.250	50.000		
47	720/60P	720/60P	45.000	60.000		
48	720/50P	720/50P	37.500	50.000		

- 1) The RGB signals of a computer
 2) VESA is a registered trademark of Video Electronics Standard Association.
 3) PC-98 is a registered trademark of NEC Corporation.

Since the data is recalled from the preset memory about the following signals, you can use these preset data by adjusting SIZE H. Make fine adjustment by adjusting SHIFT.

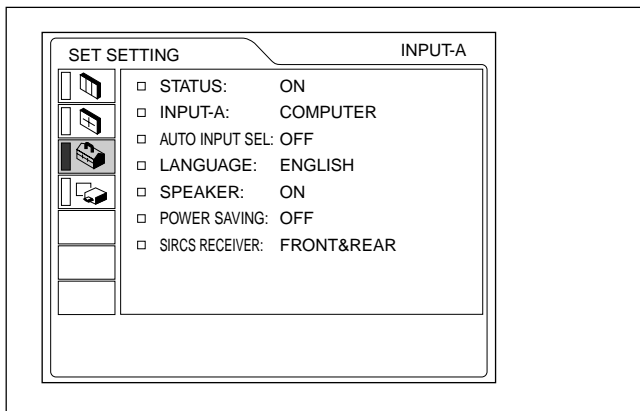
Signal	Memory No.	SIZE H
Super Mac-2	23	1312
SGL-1	23	1320
Macintosh 19"	25	1328
Macintosh 21"	28	1456
Sony News	36	1708
PC-9821 1280 × 1024	36	1600
WS Sunmicro	37	1664

Note

When the aspect ratio of input signal is other than 4:3, a part of the screen is displayed in black.

The SET SETTING Menu

The SET SETTING menu is used for changing the settings of the projector.



Operation

1. Select an item

Use the **↑** or **↓** key to select the item, then press the **→** or ENTER key.

2. Change the setting

Press the **↑** or **↓** key to change the setting. To restore the original screen, press the ENTER or **←** key.

STATUS (on-screen display)

Sets up the on-screen display.

ON: Shows all of the on-screen displays.

OFF: Turns off the on-screen displays except for the menus, a message when turning off the power, and warning messages.

For details on the warning messages, see page 35 (GB).

INPUT-A

Selects the computer, component, DTV YPBPR or DTV GBR signal input from the 5BNC connector.

Note

If the setting is not correct, "Please check INPUT-A setting." appears on the screen and the color of the picture becomes strange or the picture is not displayed.

AUTO INPUT SEL

When set to ON, the projector detects input signals in the following order: INPUT-A/INPUT-B/VIDEO/S-VIDEO. It indicates the input channel when the power is turned on or the INPUT key is pressed.

LANGUAGE

Selects the language used in the menu and on-screen displays.

Available languages are: English, French, German, Italian, Spanish, Japanese and Chinese.

SPEAKER

Set to OFF to cut off the sound of the internal speakers. When set to OFF, "SPEAKER OFF" appears on the screen when you turn on the power.

POWER SAVING

When set to ON, the projector goes into the power saving mode if no signal is input for 10 minutes.

SIRCS RECEIVER

Selects the remote control detectors (SIRCS receiver) on the front and rear of the projector.

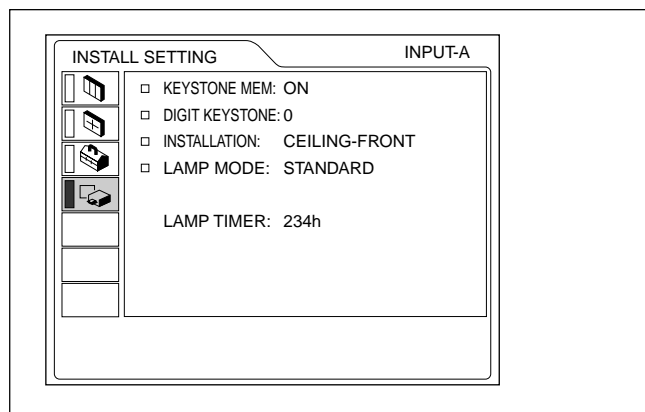
FRONT & REAR: Activates both the front and rear detectors.

FRONT: Activates the front detector only.

REAR: Activates the rear detector only.

The INSTALL SETTING Menu

The INSTALL SETTING menu is used for changing the settings of the projector.



Operation

1. Select an item

Use the **↑** or **↓** key to select the item, then press the **→** or ENTER key.

2. Adjust an item

- When changing the adjustment level:
 - To increase the number, press the **↑** or **→** key.
 - To decrease the number, press the **↓** or **←** key.
 - Press the ENTER key to restore the original screen.
- When changing the setting:
 - Press the **↑** or **↓** key to change the setting.
 - Press the ENTER or **←** key to restore the original screen.

KEYSTONE MEM

ON: DIGIT KEYSTONE setting is stored.

The data is retrieved when the projector power is turned on. The setting will remain the same every time.

OFF: DIGIT KEYSTONE is reset to 0 when the power is turned on next time.

DIGIT KEYSTONE

Corrects the trapezoid caused by the projection angle. If the base edge is longer, set a negative value; if the upper edge is longer, set a positive value to square the image.

INSTALLATION

Sets to reverse the picture horizontally or vertically.

FLOOR-FRONT: The picture is not reversed.

CEILING-FRONT: The picture is reversed horizontally and vertically.

FLOOR-REAR: The picture is reversed horizontally.

CEILING-REAR: The picture is reversed vertically.

Note

In case of using a mirror, be careful of installation since the picture may be reversed.

LAMP MODE

Sets the lamp brightness in the projection.

STANDARD: Illuminates with normal brightness.

LOW: Reduces fan noise and power consumption.

Compared with the STANDARD setting, the brightness of an image projecting under the LOW setting will be low.

If the LAMP MODE is set to LOW, the next time the power is turned on, the lamp will use the STANDARD setting for the first minute, and then go to LOW.

LAMP TIMER

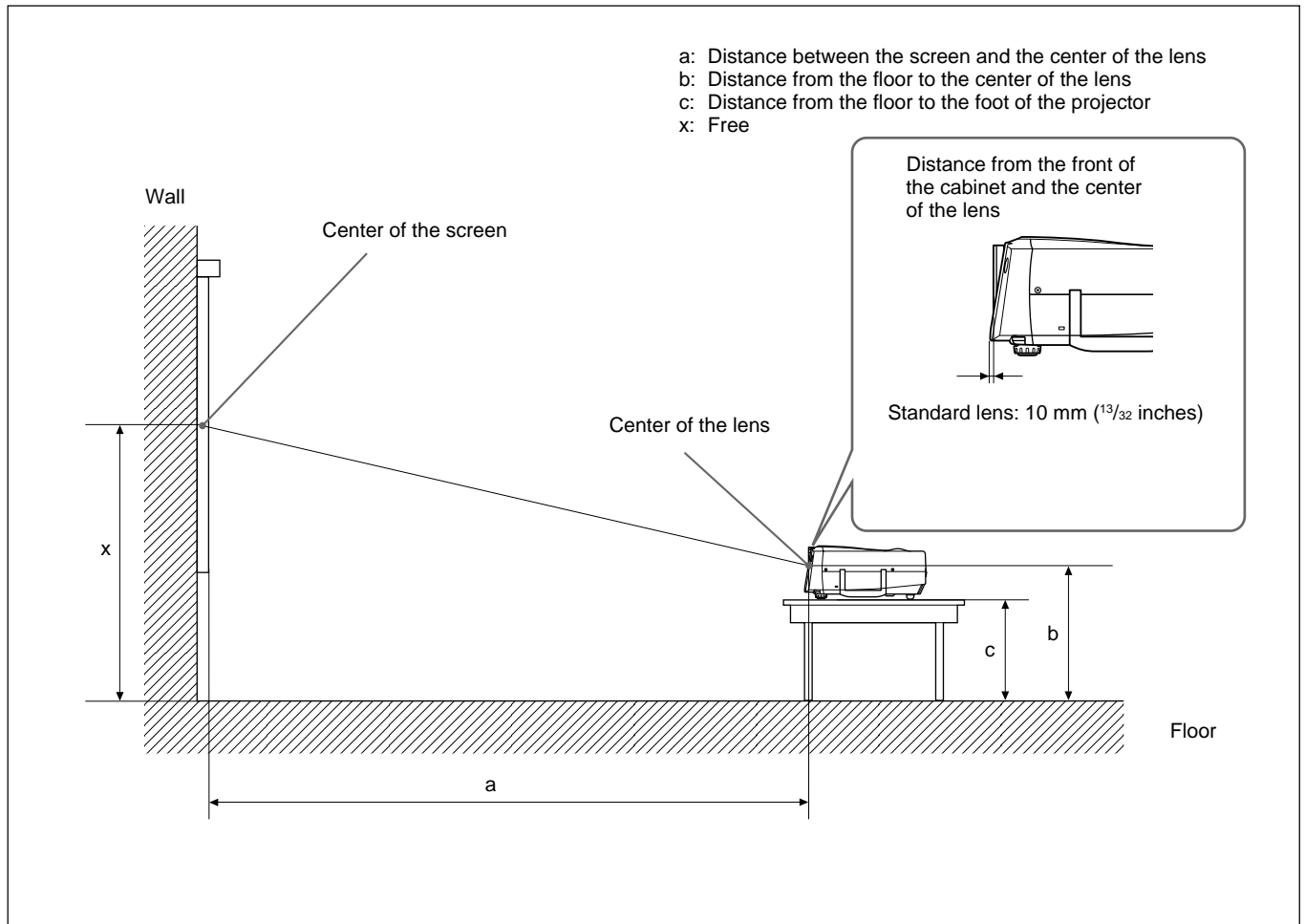
Indicates how long the lamp has been turned on.

Note

This only displays the time. You cannot alter the display.

Installation Examples

Floor Installation



Unit: mm (inches)

Screen size (inches)		40	60	80	100	120	150	180	200	250	300
a	Minimum	1490 (58 ³ / ₄)	2280 (89 ⁷ / ₈)	3060 (120 ¹ / ₂)	3850 (151 ⁵ / ₈)	4630 (182 ³ / ₈)	5810 (228 ⁷ / ₈)	6990 (275 ¹ / ₄)	7770 (306)	9740 (383 ⁵ / ₈)	11700 (460 ³ / ₄)
	Maximum	1820 (71 ³ / ₄)	2780 (109 ¹ / ₂)	3740 (147 ³ / ₈)	4700 (185 ¹ / ₈)	5660 (222 ⁷ / ₈)	7100 (279 ⁵ / ₈)	8540 (336 ³ / ₈)	9500 (374 ¹ / ₈)	11900 (468 ⁵ / ₈)	14300 (563 ¹ / ₈)
b		x-305 (12)	x-457 (18)	x-610 (24)	x-762 (30)	x-914 (36)	x-1143 (45)	x-1372 (54)	x-1524 (60)	x-1905 (75 ¹ / ₈)	x-2286 (90 ¹ / ₈)
c		x-394 (15 ⁵ / ₈)	x-546 (21 ⁵ / ₈)	x-699 (27 ⁵ / ₈)	x-851 (33 ⁵ / ₈)	x-1003 (39 ⁵ / ₈)	x-1232 (48 ⁵ / ₈)	x-1461 (57 ⁵ / ₈)	x-1613 (63 ⁵ / ₈)	x-1994 (78 ⁵ / ₈)	x-2375 (93 ⁵ / ₈)

To calculate the installation measurement (unit: mm)

SS: screen size diagonal (inches)

$$a \text{ (minimum)} = \{(SS \times 50.18/1.3102) - 75.10104\} \times 1.025$$

$$a \text{ (maximum)} = \{(SS \times 64.518746/1.3102) - 107.8977\} \times 0.975$$

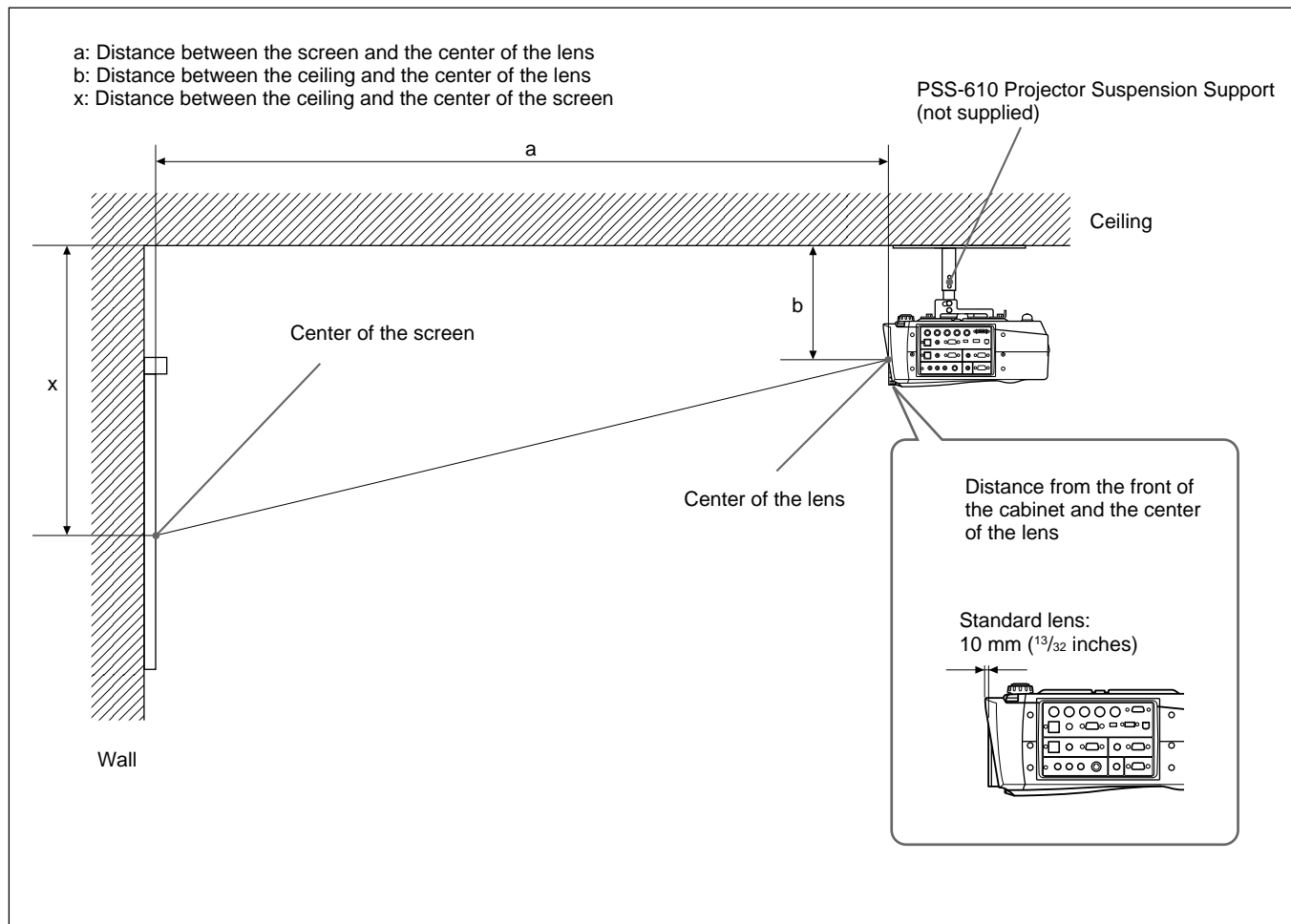
$$b = x - (SS/1.3102 \times 9.984)$$

$$c = x - (SS/1.3102 \times 9.984 + 89)$$

Ceiling Installation

When installing the projector on the ceiling, use the PSS-610 Projector Suspension Support.

For ceiling installation, consult with qualified Sony personnel.



Unit: mm (inches)

Screen size (inches)		80	100	120	150	180	200	250	300
a	Minimum	3060 (120 1/2)	3850 (151 5/8)	4630 (182 3/8)	5810 (228 7/8)	6990 (275 1/4)	7770 (306)	9740 (383 5/8)	11700 (460 3/4)
	Maximum	3740 (147 3/8)	4700 (185 1/8)	5660 (222 7/8)	7100 (279 5/8)	8540 (336 3/8)	9500 (374 1/8)	11900 (468 5/8)	14300 (563 1/8)
x		b+610 (24)	b+762 (30)	b+914 (36)	b+1143 (45)	b+1372 (54)	b+1524 (60)	b+1905 (75 1/8)	b+2286 (90 1/8)
b		231/256/281/331/356/381 mm (9 1/8/10 1/8/11 1/8/13 1/8/14 1/8/15 inches) adjustable when using PSS-610							

To calculate the installation measurement (unit: mm)

SS: screen size diagonal (inches)

$$a \text{ (minimum)} = \{(SS \times 50.18/1.3102) - 75.10104\} \times 1.025$$

$$a \text{ (maximum)} = \{(SS \times 64.518746/1.3102) - 107.8977\} \times 0.975$$

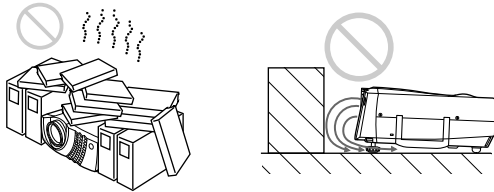
$$x = b + (SS/1.3102 \times 9.984)$$

Notes for Installation

Unsuitable Installation

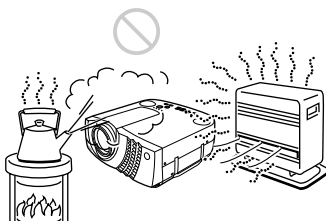
Do not install the projector in the following situations. These installations may cause malfunction or damage to the projector.

Poorly ventilated



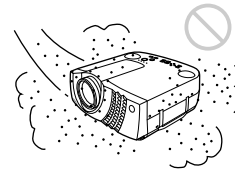
- Allow adequate air circulation to prevent internal heat build-up. Do not place the unit on surfaces (rugs, blankets, etc.) or near materials (curtains, draperies) that may block the ventilation holes. When the internal heat builds up due to the block-up, the temperature sensor will function with the message “High temp.! Lamp off in 1 min.” The power will be turned off automatically after one minute.
- Leave space of more than 30 cm (11 7/8 inches) around the unit.
- Be careful that the ventilation holes may inhale tininess such as a piece of paper.
- If you put something in front of the front ventilation holes, the exhaust may be inhaled into the projector through the ventilation holes at the bottom, causing the internal temperature to rise, which activates the protection circuit. Install the projector so that the exhaust is not blocked.

Highly heated and humid



- Avoid installing the unit in a location where the temperature or humidity is very high, or temperature is very low.
- To avoid moisture condensation, do not install the unit in a location where the temperature may rise rapidly.

Very dusty

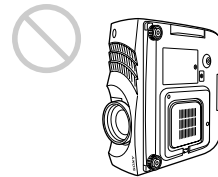


Avoid installing the unit in a location where there is a lot of dust; otherwise, the air filter will be obstructed. The dust blocking the air through the filter may cause raising the internal heat of the projector. Clean it up periodically.

Unsuitable Conditions for Use

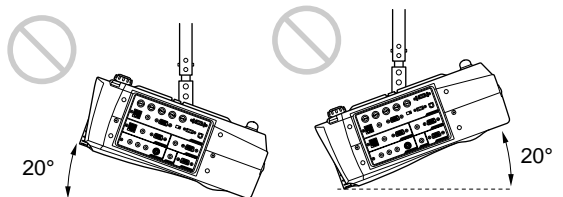
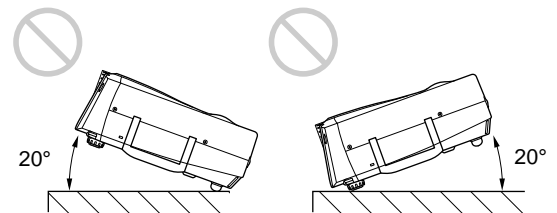
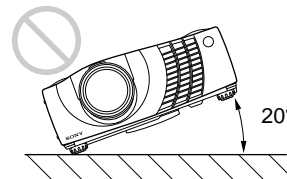
Do not do any of the following.

Topping of the unit



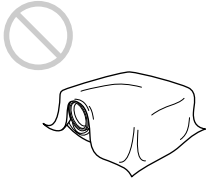
Avoid using as the unit topples over on its side. It may cause malfunction.

Tilting front/rear and right/left

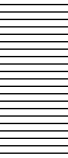


Avoid using as the unit tilts more than 20 degrees. Do not install the unit other than on the floor or ceiling. These installation may cause malfunction.

Blocking the ventilation holes



Avoid using something to cover over the ventilation holes; otherwise, the internal heat may build up.



Maintenance

Notes

- If the lamp breaks, consult with qualified Sony personnel.
- Pull out the lamp unit by holding the handle. If you touch the lamp unit, you may be burned or injured.
- When removing the lamp unit, make sure it remains horizontal, then pull straight up. Do not tilt the lamp unit. If you pull out the lamp unit while tilted and if the lamp breaks, the pieces may scatter, causing injury.

Replacing the Lamp

When it is time to replace the lamp, replace the lamp promptly with a new LMP-P201 Projector Lamp. The lamp reaches the end of its life after about 1500 hours for the STANDARD setting, or about 3000 hours for the LOW setting in the LAMP MODE. When it is time to change the lamp, a message which says, "Please replace the LAMP." will be displayed.

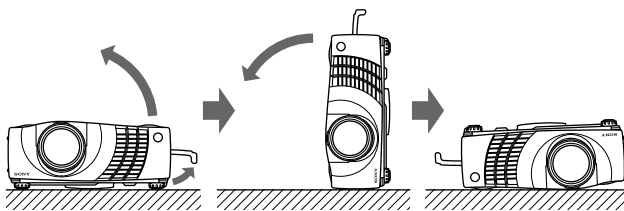
When replacing the lamp after using the projector

Turn off the projector, then unplug the power cord. Wait for at least an hour for the lamp to cool.

Note

The lamp becomes a high temperature after turning off the projector with the I / ⏻ key. If you touch the lamp, you may scald your finger. When you replace the lamp, wait for at least an hour for the lamp to cool.

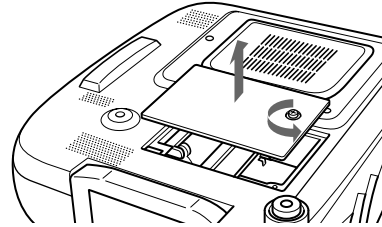
- 1 Place a protective sheet (cloth) beneath the projector.
Hold the projector handle and turn the projector toward the control panel as shown below.



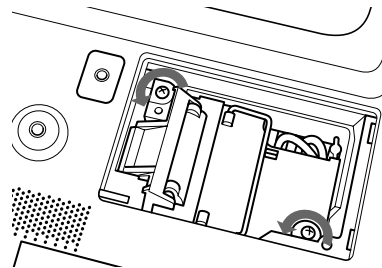
Note

When replacing the lamp, be sure it is on a flat and stable surface.

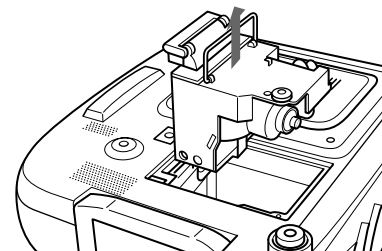
- 2 Open the lamp cover by loosening one screw with the Philips screwdriver (supplied with the LMP-P201 Projector Lamp).



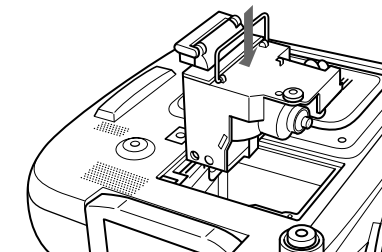
- 3 Loosen two screws on the lamp unit with the Philips screwdriver.



- 4 While holding the handle and keeping the lamp unit horizontal, pull straight up.



- 5 Insert the new lamp all the way in until it is securely in place. Tighten the screws. Fold down the handle.



Notes

- Be careful not to touch the glass surface of the lamp.
- The power will not turn on if the lamp is not secured properly.

- 6 Close the lamp cover and tighten the screw.
- 7 Turn the projector back over.
- 8 Connect the power cord and turn the projector to the standby mode.
- 9 Press the following keys on the control panel in the following order for less than in five seconds each: RESET, ←, →, ENTER.

Notes

- Be sure to use the LMP-P201 Projector Lamp for replacement. If you use lamps other than LMP-P201, the projector may cause a malfunction.
- Be sure to turn off the projector and unplug the power cord before replacing the lamp.
- Do not put your hands into the lamp replacement spot, or not fall any liquid or object into it to avoid electrical shock or fire.

Disposal of used projector lamp

As the materials used in this lamp are similar to those of a fluorescent lamp, you should dispose of a used projector lamp in the same way as a fluorescent lamp.

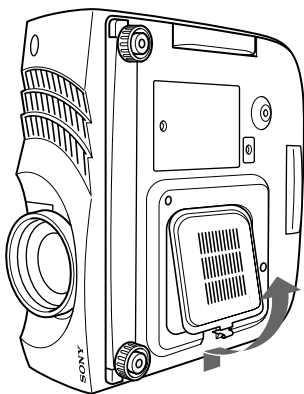
Cleaning the Air Filter

The air filter should be cleaned every 300 hours.

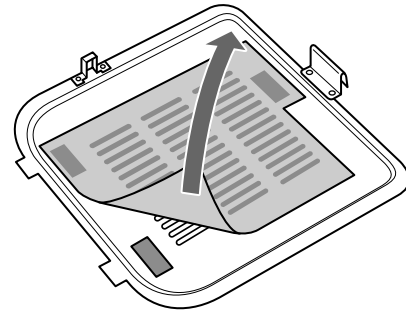
When it becomes difficult to remove the dust from the filter, replace the filter with a new one.

To clean the air filter, follow the steps below:

- 1 Turn off the power and unplug the power cord.
- 2 Remove the air filter cover while holding down the air filter cover button on the filter cover.

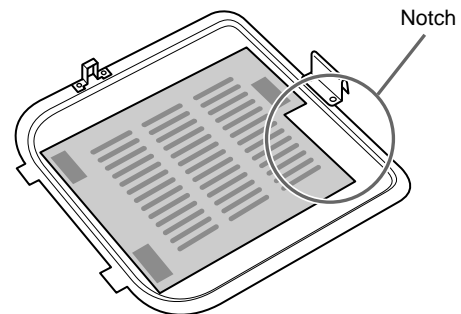


- 3 Peel off the air filter. (The air filter is secured with Velcro tape (3).)



- 4 Remove the dust from the filter with a vacuum cleaner.

- 5 Install the air filter as shown in the figure. Install the air filter cover on the projector.



Notes

- Just placing the air filter on the Velcro tapes will not lock the air filter in place. When installing the air filter, place it on the air filter cover and attach by pressing down hard on the three Velcro tapes. Make sure that the air filter is not bent.
- Set the air filter correctly (straight) in the air filter cover. If the air filter is not straight, the filter may malfunction.
- If the air filter is excessively dirty, wash it with a mild detergent solution and dry it in a shaded place. If the dust cannot be removed, replace the air filter with the supplied new one.
- The air filter has front and back sides. Make sure you install the air filter in the right direction. Check the notch on the filter as shown in the figure above and install properly.
- Be sure to attach the air filter cover firmly; the power will not be turned on if it is not closed securely.

Troubleshooting

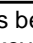
If you encounter a problem during operation, press the HELP key to display the help messages.

You can get these kinds of help messages:

- Image: A menu is not displayed. Colors are not correct.
- Sound: Sound is not output correctly.
- Other: The indicator lights up/flashes.

If you still have a problem after consulting the help messages, please check the following. If the problem persists, contact your Sony dealer.

Power

Symptom	Cause	Remedy
The power is not turned on.	The power has been turned off and on with the I /  key at a short interval.	Wait for about 120 seconds before turning on the power (see page 19 (GB)).
	The lamp cover is detached.	Close the lamp cover securely (see page 32 (GB)).
	The air filter cover is detached.	Close the air filter cover securely (see page 33 (GB)).

Image

Symptom	Cause	Remedy
No picture.	Cable is disconnected or not connected properly.	Check that the proper connections have been made (see pages 15 (GB) to 18 (GB)).
	Input selection is incorrect.	Select the input source correctly using the INPUT key (see page 19 (GB)).
	The picture is cut off.	Press the PIC MUTING key to release the muting function (see page 19 (GB)).
	The computer signal is not set to output to external monitor.	Set the computer signal to output to external monitor (see page 15 (GB)).
	The computer signal is set to output to both the LCD of the computer and external monitor.	Set the computer signal to output only to external monitor (see page 15 (GB)).
The picture is noisy.	Noise may appear on the background depending on the combination of the numbers of dot input from the connector and numbers of pixel on the LCD panel.	Change the desktop pattern on the connected computer.
On-screen display does not appear.	STATUS in the SET SETTING menu has been set to OFF.	Set STATUS in the SET SETTING menu to ON (see page 26 (GB)).

Sound

Symptom	Cause	Remedy
No Sound.	Cable is disconnected or not connected properly.	Check that the proper connections have been made (see pages 15 (GB) to 18 (GB)).
	The sound is cut off.	Press the AUDIO MUTING key to release the muting function (see page 19 (GB)).
When inputting sound through AUDIO jack, sound comes through one channel only.	Monaural sound is being input through the AUDIO jack.	Input stereo sound.

Others

Symptom	Cause	Remedy
The LAMP/COVER indicator flashes.	The lamp cover or the air filter cover is detached.	Attach the cover securely (see pages 32 (GB) and 33 (GB)).
The LAMP/COVER indicator lights up.	The lamp has reached the end of its life.	Replace the lamp (see page 32 (GB)).
	The lamp becomes a high temperature.	Wait for 120 seconds to cool down the lamp and turn on the power again (see page 19 (GB)).
The TEMP/FAN indicator flashes.	The fan is broken.	Consult with qualified Sony personnel.
The TEMP/FAN indicator lights up.	The internal temperature is unusually high.	Check to see if nothing is blocking the ventilation holes.
Both LAMP/COVER and TEMP/FAN indicators light up.	The electric system failed.	Consult with qualified Sony personnel.

Warning messages

Use the list below to check the meaning of the messages displayed on the screen.

Message	Meaning	Remedy
High temp.! Lamp off in 1 min.	Internal temperature is too high.	Turn off the power. Check to see if nothing is blocking the ventilation holes.
Frequency is out of range!	This input signal cannot be projected as the frequency is out of the acceptable range of the projector.	Input a signal that is within the range of the frequency.
	The resolution setting of the output signal of a computer is too high.	Set the setting of output to the XGA (see page 15 (GB)).
Please check INPUT-A setting.	You have input RGB signal from the computer when INPUT-A in the SET SETTING menu is set to COMPONENT, DTV YPbPr or DTV GBR.	Set INPUT-A correctly (see page 26 (GB)).
Please replace the LAMP.	It is time to replace the lamp.	Please replace the lamp.

Caution messages

Use the list below to check the meaning of the messages displayed on the screen.

Message	Meaning	Remedy
NO INPUT	No input signal	Check connections (see page 15 (GB) to 18 (GB)).
Not applicable!	You have pressed the wrong key.	Press the appropriate key.
SPEAKER OFF	SPEAKER in the SET SETTING menu has been set to OFF.	Set SPEAKER to ON if necessary (see page 26 (GB)).

Specifications

Optical characteristics

Projection system	3 LCD panels, 1 lens, projection system
LCD panel	VPL-PX21: 1.3-inch TFT SONY LCD panel VPL-PX31: 1.3-inch TFT SONY LCD panel with micro-lens array, 2,359,296 pixels (1024 × 768 pixels × 3)
Lens	Approx. 1.3 times zoom lens f 50.8 to 64.0 mm/F 1.7 to 2.0
Lamp	200 W UHP
Projection picture size	Range: 40 to 300 inches (diagonal measure)
Light output	VPL-PX21: ANSI lumen ¹⁾ 1800 lm VPL-PX31: ANSI lumen ¹⁾ 2800 lm
Throwing distance	40-inch: 1490 to 1820 mm (58 ³ / ₄ to 71 ³ / ₄ inches) 60-inch: 2280 to 2780 mm (89 ⁷ / ₈ to 109 ¹ / ₂ inches) 80-inch: 3060 to 3740 mm (120 ¹ / ₂ to 147 ³ / ₈ inches) 100-inch: 3850 to 4700 mm (151 ⁵ / ₈ to 185 ¹ / ₈ inches) 120-inch: 4630 to 5660 mm (182 ³ / ₈ to 222 ⁷ / ₈ inches) 150-inch: 5810 to 7100 mm (228 ⁷ / ₈ to 279 ⁵ / ₈ inches) 180-inch: 6990 to 8540 mm (275 ¹ / ₄ to 336 ³ / ₈ inches) 200-inch: 7770 to 9500 mm (306 to 374 ¹ / ₈ inches) 250-inch: 9740 to 11900 mm (383 ⁵ / ₈ to 468 ⁵ / ₈ inches) 300-inch: 11700 to 14300 mm (460 ³ / ₄ to 563 ¹ / ₈ inches)

Electrical characteristics

Color system	NTSC _{3.58} /PAL/SECAM/NTSC _{4.43} / PAL-M/PAL-N system, switched automatically/manually
Resolution	750 horizontal TV lines (Video input) 1024 × 768 pixels (RGB input)
Acceptable computer signals	fH: 15 to 91 kHz fV: 43 to 85 Hz

Speaker	Wide frequency range 3 speakers system, Woofers: 65 mm (2 ⁵ / ₈ inches) diameter, max. 3 W Tweeter: 45 mm (1 ³ / ₁₆ inches) diameter, max. 1 W × 2 (stereo)
---------	---

Input/Output

Video/audio input	VIDEO: phono type Composite video: 1 Vp-p ±2 dB sync negative (75 ohms terminated) S VIDEO: Y/C mini DIN 4-pin type (male) Y (luminance): 1 Vp-p ±2 dB sync negative (75 ohms terminated) C (chrominance): burst 0.286 Vp-p ±2 dB (NTSC) (75 ohms terminated), burst 0.3 Vp-p ±2 dB (PAL) (75 ohms terminated) AUDIO: Phono type × 2 500 mVrms, impedance more than 47 kilohms
INPUT A	HD D-sub15-pin (female)/ 5BNC (female)/ Digital Interface Switched Analog RGB: HD D-sub15-pin (female) R: 0.7 Vp-p ±2 dB (75 ohms terminated) G: 0.7 Vp-p ±2 dB (75 ohms terminated) G with sync: 1 Vp-p ±2 dB sync negative (75 ohms terminated) B: 0.7 Vp-p ±2 dB (75 ohms terminated) SYNC/HD: Composite sync input: 1-5 Vp-p high impedance, positive/negative Horizontal sync input: 1-5 Vp-p high impedance, positive/negative VD: Vertical sync input: 1-5 Vp-p high impedance, positive/negative Analog RGB/component: 5BNC (female) R/R-Y: 0.7 Vp-p ±2 dB (75 ohms terminated)

1) ANSI lumen is a measuring method of American National Standard IT 7.228.

G: 0.7 Vp-p ±2 dB (75 ohms terminated)
 G with sync/Y: 1 Vp-p ±2 dB sync negative (75 ohms terminated)
 B/B-Y: 0.7 Vp-p ±2 dB (75 ohms terminated)
 SYNC/HD:
 Composite sync input: 1-5 Vp-p high impedance, positive/negative
 Horizontal sync input: 1-5 Vp-p high impedance, positive/negative
 VD:
 Vertical sync input: 1-5 Vp-p high impedance, positive/negative
DIGITAL RGB: DFP 20-pin (TMDS)
USB HUB: Up (B type: female) × 1, Down (A type: female) × 1
MOUSE (output): 13-pin (female)
(For details, see “Pin assignment” on page 38 (GB).)
AUDIO: Stereo minijack
 500 mVrms, impedance more than 47 kilohms
INPUT B
Analog RGB: HD D-sub15-pin (female)
 R: 0.7 Vp-p ±2 dB (75 ohms terminated)
 G: 0.7 Vp-p ±2 dB (75 ohms terminated)
 G with sync: 1 Vp-p ±2 dB sync negative (75 ohms terminated)
 B: 0.7 Vp-p ±2 dB (75 ohms terminated)
 SYNC/HD:
 Composite sync input: 1-5 Vp-p high impedance, positive/negative
 Horizontal sync input: 1-5 Vp-p high impedance, positive/negative
 VD:
 Vertical sync input: 1-5 Vp-p high impedance, positive/negative
MOUSE (output): 13-pin (female)
(For details, see “Pin assignment” on page 38 (GB).)
AUDIO: Stereo minijack
 500 mVrms, impedance more than 47 kilohms
OUTPUT
MONITOR OUT: HD D-sub 15-pin (female)

R/R-Y,G/Y,B/B-Y: Gain Unity,75ohms
 SYNC/HD,VD: 4Vp-p (open), 1Vp-p (75ohms)
 * DIGITAL RGB signal is not output from MONITOR OUT terminal.
AUDIO OUT (variable out):
 Stereo minijack
 max. 1 Vrms, When an input signal is 500 mVrms, impedance less than 5 kilohms
REMOTE CONTROL S IN/PLUG IN POWER
 RS-232C: D-sub 9-pin (female)
 Stereo minijack 5Vp-p, plug in power, DC5V
Safety regulations: UL1950, cUL1950, DHHS (Laser), DNHW (Laser), FCC Class A, IC Class A, EN60 950 (NEMKO), CE, C-Tick, EN60 825-1 (Laser), VCCI class B, JEIDA

Laser beam

Laser type Class 2
 Wavelength 645 nm
 Output 1 mW

General

Dimensions 339 × 142 × 335 mm (13 3/8 × 5 5/8 × 13 1/4 inches) (w/h/d)
 Mass Approx. 7.2 kg (15 lb 14 oz)
 Power requirements AC 100 to 240 V, 50/60 Hz
 Power consumption Max. 290 W (Standby mode: 5 W)
 Heat dissipation 989.6 BTU
 Operating temperature 0°C to 40°C (32°F to 104°F)
 Operating humidity 35% to 85% (no condensation)
 Storage temperature -20°C to 60°C (-4°F to 140°F)
 Storage humidity 10% to 90%
 Supplied accessories Remote Commander RM-PJM610 (1)
 Size AA (R6) batteries (2)
 HD D-sub 15-pin Cable (1)
 (1-791-992-11 or 1-791-992-21)

(Continued)

- Mouse Cable
 - SIC-S21 (for Serial) (2 m) (1)
(1-783-502-11)
 - SIC-S22 (for PS/2) (2 m) (1)
(1-783-501-11)
- Audio/video cable (1.5 m) (1)
(1-776-279-11)
- USB Cable A type – B type (2 m)
(1) (1-790-081-11)
- Application software, Projector
Station Version 2.00 (1)
- Lens Cap (1)
- Strap for Remote Commander (1)
- AC power cord (1)
- Air filter (for replacement) (1)
- Operating Instructions (1)
- Installation Manual for Dealers (1)
- Quick Reference Card (1)
- Warranty Booklet (1)

Design and specifications are subject to change without notice.

Optional accessories

- Projector Lamp LMP-P201 (for replacement)
- Projector Suspension Support PSS-610
- Carrying Case VLC-600¹⁾
- Monitor Cable
 - SMF-400 (HD D-sub 15-pin (male) ↔ 5 × BNC (male))
 - SMF-410 (HD D-sub 15-pin (male) ↔ HD D-sub 15-pin (male))
- Signal cable
 - SMF-402 (HD D-sub 15-pin (male) ↔ 3 × phono type (male))
- Signal Interface Cable
 - SIC-10 (5 × BNC (male) ↔ 5 × BNC (male))
- Digital Signal Cable
 - SMF-D102 (DFP 20-pin ↔ DFP 20-pin)
 - SMF-D110 (DFP 20-pin ↔ DFP 20-pin)
- Mouse Cable
 - SIC-S20 (for Macintosh) (2 m)
 - SIC-S21 (for Serial) (2 m)
 - SIC-S22 (for PS/2) (2 m)
- Signal Adapter
 - ADP-20 (Macintosh ↔ HD D-sub 15-pin)

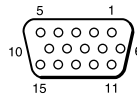
Projection Lens

- Long Focus Zoom Lens VPLL-ZM101
- Short Focus Zoom Lens VPLL-ZM31
- Fixed Short Focus Lens VPLL-FM21

Some of the items may not be available in some areas. For details, please consult your nearest Sony office.

Pin assignment

RGB input connector (HD D-sub 15-pin, female)



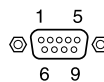
1	R	9	N.C.
2	G	10	GND
3	B	11	GND
4	N.C.	12	DDC/SDA
5	GND	13	HD/C.Sync
6	GND (R)	14	VD
7	GND (G)	15	DDC/SCL
8	GND (B)		

MOUSE connector (13-pin, female)



1	RTS	8	R
2	GND	9	98/AT/TXD
3	XA	10	+5V/DTR
4	XB	11	CLOCK
5	YA	12	DATA
6	YB	13	RXD
7	L/PS		

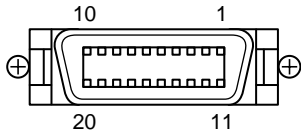
RS-232C connector (D-sub 9-pin, female)



1	DCD	6	DSR
2	RX DA	7	RTS
3	TX DA	8	CTS
4	DTR	9	RI
5	GND		

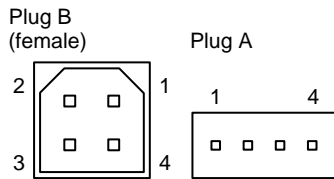
1) VLC-600 may not be available in some areas. For details, please consult your nearest Sony office.

DIGITAL RGB input connector (DFP 20-pin, female)



1	TX0-	11	TXC-
2	TX0+	12	TXC+
3	TX0 SHIELD	13	TXC SHIELD
4	TX2 SHIELD	14	TX1 SHIELD
5	TX2-	15	TX1-
6	TX2+	16	TX1+
7	DDC/SCL	17	NC
8	DDC/SDA	18	SENSE
9	NC	19	+5V DC
10	NC	20	GND

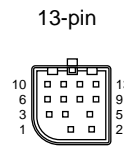
USB connector



1	+5V
2	D-
3	D+
4	GND

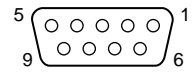
Mouse cable pin assignment

SIC-S21



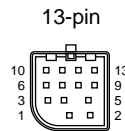
1	RTS	8	R
2	GND	9	98/AT/TXD
3	XA	10	+5V/DTR
4	XB	11	CLOCK
5	YA	12	DATA
6	YB	13	RXD
7	L/PS		

D-sub 9-pin



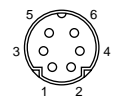
1	DCD
2	RXD
3	TXD
4	DTR
5	GND
6	DSR
7	RTS
8	CTS
9	RI

SIC-S22



1	RTS	8	R
2	GND	9	98/AT/TXD
3	XA	10	+5V/DTR
4	XB	11	CLOCK
5	YA	12	DATA
6	YB	13	RXD
7	L/PS		

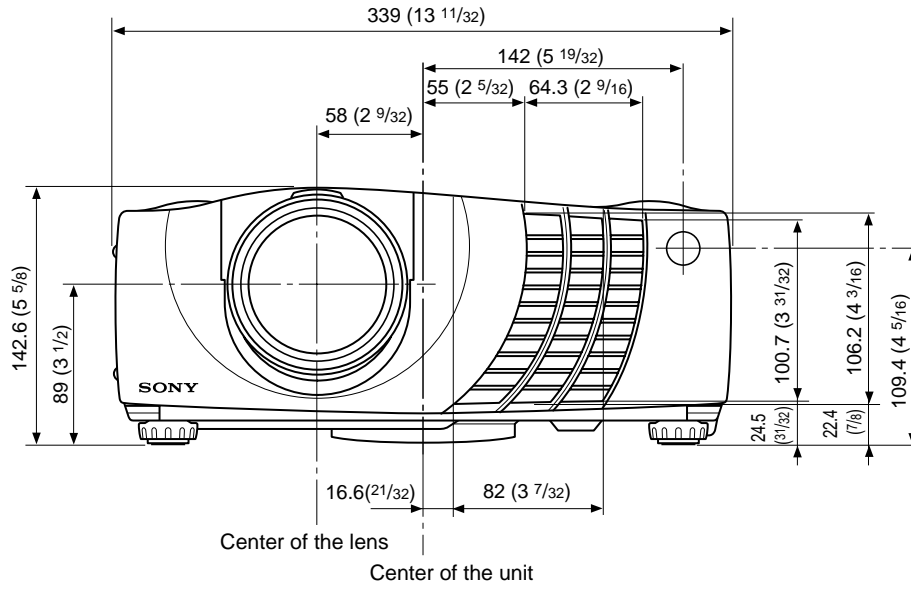
mini DIN 6-pin



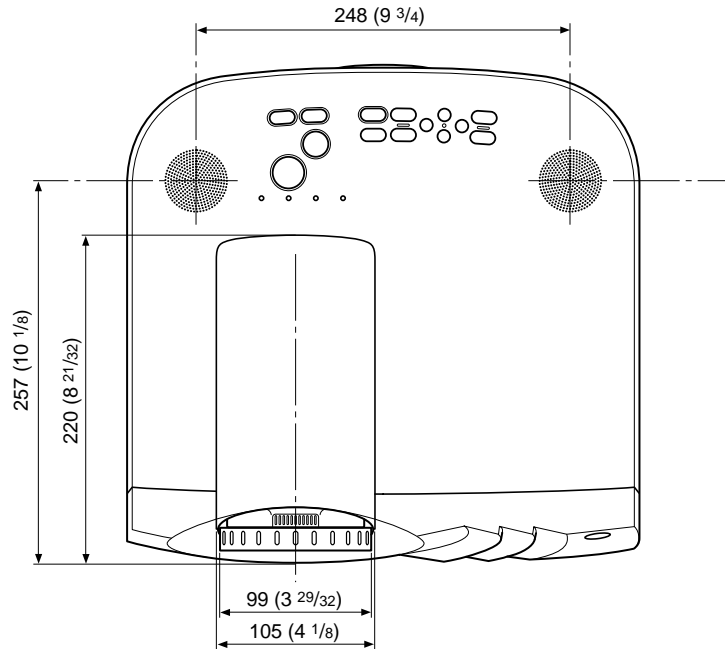
1	DATA
2	NC
3	GND
4	+5V
5	CLOCK
6	NC

Dimensions

Front

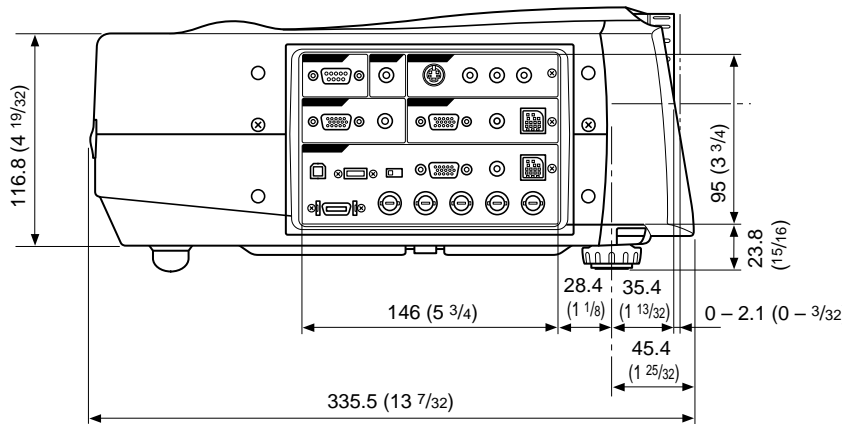


Top

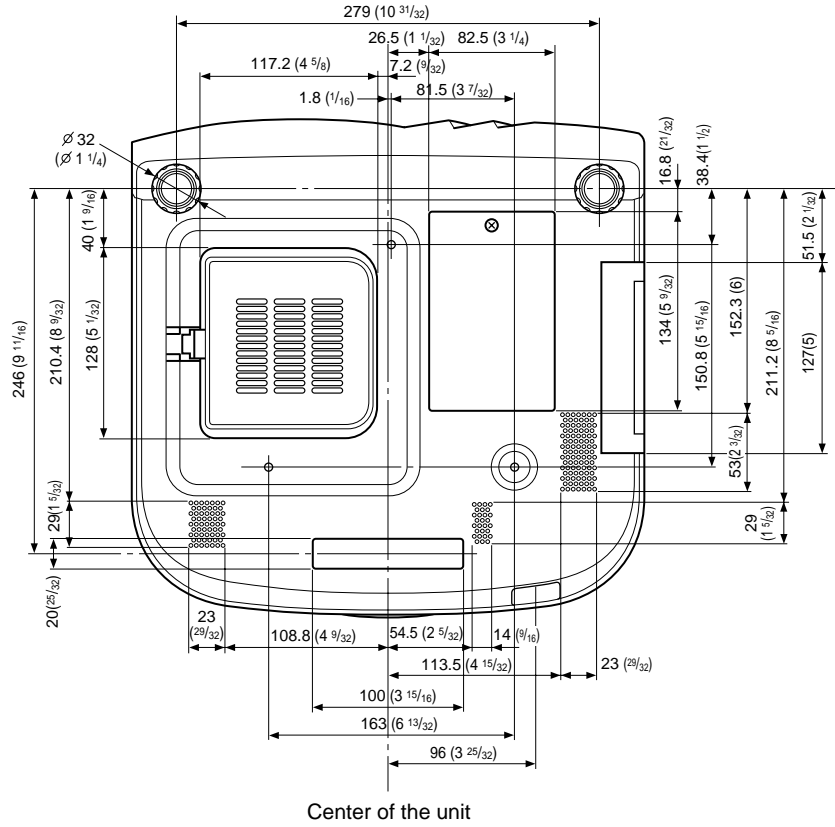


Unit: mm (inches)

Side



Bottom



Center of the unit

Unit: mm (inches)

Index

A

- Adjuster 10 (GB)
- Adjusting
 - memory of the settings 22 (GB)
 - the picture 22 (GB)
 - the picture size/shift 24 (GB)
- Air filter 33 (GB)
- APA function 11 (GB), 19 (GB)
- ASPECT 24 (GB)
- AUTO INPUT SEL 26 (GB)

B

- Battery
 - installation 14 (GB)
 - notes 14 (GB)
- BRIGHT 23 (GB)

C

- Carrying handle 9 (GB)
- COLOR 23 (GB)
- COLOR SYS (System) 23 (GB)
- COLOR TEMP 23 (GB)
- Condensation 30 (GB)
- Connections
 - component equipment 18 (GB)
 - computer 15 (GB)
 - VCR 17 (GB)
- CONTRAST 23 (GB)
- Cut off
 - the picture 19 (GB)
 - the sound 19 (GB)

D, E, F

- DIGIT KEYSTONE 27 (GB)
- DIGITAL RGB input connector 12 (GB)
 - pin assignment 39 (GB)
- DIGITAL RGB/5BNC/RGB switch 12 (GB)
- Dimensions 40 (GB)
- D. (Dynamic) PICTURE 23 (GB)
- DOT PHASE 24 (GB)
- 5BNC input connectors 12 (GB)

G

- GAMMA MODE 23 (GB)

H

- HUE 23 (GB)

I, J, K

- INPUT-A 26 (GB)
- INPUT SETTING menu 24 (GB)
- INSTALL SETTING menu 27 (GB)
- INSTALLATION 27 (GB)
 - Installation examples 28 (GB)
 - on a ceiling 29 (GB)
 - on a floor 28 (GB)
- KEYSTONE MEM 27 (GB)

L

- LAMP MODE 27 (GB)
- Lamp replacement 32 (GB)
- LAMP TIMER 27 (GB)
- LANGUAGE 26 (GB)
- Location and function of controls
 - connector panel 12 (GB)
 - control panel 11 (GB)
 - front/left side 9 (GB)
 - rear/right side/bottom 9 (GB)
 - Remote Commander 13 (GB)

M, N

- Menu
 - clearing the menu display 22 (GB)
 - INPUT SETTING menu 24 (GB)
 - INSTALL SETTING menu 27 (GB)
 - PICTURE CTRL menu 22 (GB)
 - SET SETTING menu 26 (GB)
 - using the menu 22 (GB)
- Messages
 - cautions 35 (GB)
 - warnings 35 (GB)
- Mouse cable
 - connection 15 (GB)
 - pin assignment 39 (GB)
- Mouse connector 12 (GB)
 - pin assignment 38 (GB)
- Notes for installation 30 (GB)
 - unsuitable conditions for use 30 (GB)
 - unsuitable installation 30 (GB)

O

- Optional accessories 38 (GB)

P, Q

- PICTURE CTRL menu 22 (GB)
- Pin assignment 38 (GB)
- Power
 - turn off 20 (GB)
 - turn on 19 (GB)
- POWER SAVING 11 (GB), 27 (GB)
- Precautions 7 (GB)
- Projecting 19 (GB)
- PSS-610 Projector Suspension Support 29 (GB)

R

- Remote Commander
 - battery installation 14 (GB)
 - D ZOOM key 13 (GB), 21 (GB)
 - FUNCTION key 13 (GB)
 - HELP key 14 (GB)
 - laser pointer function 13 (GB), 21 (GB)
 - location and function of controls 13 (GB)
- Remote control detector
 - front 9 (GB)
 - rear 9 (GB)
 - setting 27 (GB)
- Reset
 - resettable items 22 (GB)
 - resetting the item 22 (GB)
- RGB ENHANCER 23 (GB)
- RGB input connector 12 (GB)
 - pin assignment 38 (GB)
- RS-232C connector 12 (GB)
 - pin assignment 38 (GB)

S

- SCAN CONV (Scan converter) 24 (GB)
- Screen size 14 (GB), 25 (GB), 36 (GB)
- SET SETTING menu 26 (GB)
- SHARP 23 (GB)
- SHIFT 24 (GB)
- SIRCS RECEIVER 9 (GB), 27 (GB)
- SIZE H 24 (GB)
- SPEAKER 26 (GB)
- Specifications 36 (GB)
- STATUS (on-screen display) 26 (GB)
- Supplied accessories 37 (GB)

T, U

- Troubleshooting 34 (GB)
- USB connector 12 (GB)
 - pin assignment 39 (GB)

V, W, X, Y, Z

- Ventilation holes
 - exhaust 9 (GB)
 - intake 10 (GB)

AVERTISSEMENT

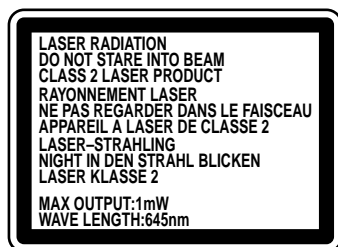
Pour éviter tout risque d'incendie ou d'électrocution, ne pas exposer cet appareil à la pluie ou à l'humidité.

Pour prévenir tout risque d'électrocution, ne pas ouvrir le boîtier. Confier l'entretien de cet appareil exclusivement à un personnel qualifié.

Pour les utilisateurs au Canada

Cet appareil numérique de la classe A est conforme à la norme NMB-003 du Canada.

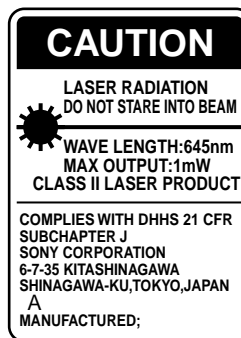
La prise doit être près de l'appareil et facile d'accès.



Cette étiquette est apposée au dos de la télécommande.



Cette étiquette est apposée sur le côté de la télécommande.



Cette étiquette est apposée au dos de la télécommande.



Cette étiquette est apposée au dos de la télécommande.

Le rayon laser est émis par cette fenêtre.



Attention

L'utilisation de commandes ou de réglages, ou l'exécution de procédures autres que celles spécifiées peut entraîner une exposition dangereuse à des radiations.

Remarques

- N'orientez pas le laser en direction de personnes et ne regardez pas dans l'émetteur laser.
- En cas de problème avec la télécommande, adressez-vous à un personnel Sony qualifié. Nous remplaçons la télécommande par une neuve conformément aux termes de la garantie.

Avertissement sur la connexion électrique

Utilisez un cordon d'alimentation approprié à votre tension secteur locale.

	Etats-Unis, Canada		Europe continentale		Royaume-Uni, Irlande, Australie, Nouvelle-Zélande	Japon
Type de fiche	VM0233	290B	YP-12A	COX-07	— ¹⁾	YP332
Extrémité femelle	VM0089	386A	YC-13B	COX-02	VM0310B	YC-13
Type de cordon	SJT	SJT	H05VV-F	H05VV-F	N13237/CO-228	VCTF
Tension et courant nominaux	10A/125V	10A/125V	10A/250V	10A/250V	10A/250V	7A/125V
Agréation de sécurité	UL/CSA	UL/CSA	VDE	VDE	VDE	DENAN

1) Utilisez la fiche correcte pour votre pays.

Table des matières

Présentation

Précautions	5 (FR)
Caractéristiques	6 (FR)
Emplacement et fonction des commandes	7 (FR)
Avant/Côté gauche	7 (FR)
Arrière/Côté droit/Dessous	7 (FR)
Panneau de commande	8 (FR)
Panneau des connecteurs	10 (FR)
Télécommande	11 (FR)

Installation et projection

Installation du projecteur	13 (FR)
Raccordement	13 (FR)
Raccordement à un ordinateur	13 (FR)
Raccordement à un magnétoscope/système à signal RVB 15k/à composants	16 (FR)
Sélection de la langue d'affichage des menus	17 (FR)
Projection	17 (FR)
Outils nécessaires pour votre présentation	19 (FR)

Ajustements et réglages à l'aide du menu

Utilisation du MENU	20 (FR)
Le menu CTRL IMAGE	20 (FR)
Le menu REGL ENTREE	22 (FR)
Le menu REGLAGE	25 (FR)
Le menu REGL. INSTAL.	26 (FR)

Installation

Exemples d'installation	27 (FR)
Installation au sol	27 (FR)
Installation au plafond	28 (FR)
Remarques concernant l'installation	29 (FR)
Installation déconseillée	29 (FR)
Conditions d'utilisation déconseillées	29 (FR)

Entretien

Entretien	31 (FR)
Remplacement de la lampe	31 (FR)
Nettoyage du filtre à air	32 (FR)
Dépannage	33 (FR)

Divers

Spécifications	35 (FR)
Index	41 (FR)

Précautions


Sécurité

- Vérifiez si la tension de service de votre appareil est identique à la tension secteur locale.
- Si des liquides ou des solides venaient à tomber dans le châssis, débranchez l'appareil et faites-le vérifier par le personnel qualifié avant de le remettre en service.
- Débranchez l'appareil de la prise murale si vous prévoyez de ne pas l'utiliser pendant plusieurs jours.
- Pour débrancher le câble, saisissez-le par la fiche. Ne tirez jamais sur le câble proprement dit.
- La prise d'alimentation doit se trouver à proximité de l'appareil et être aisément accessible.
- L'appareil n'est pas déconnecté de la source d'alimentation (secteur) aussi longtemps qu'il reste branché sur la prise murale, même si l'appareil proprement dit a été mis hors tension.
- Ne regardez pas vers l'objectif lorsque la lampe est allumée.
- N'orientez pas le laser vers des personnes et ne regardez pas vers le transmetteur laser.
- Ne placez pas la main ou d'autres objets à proximité des orifices de ventilation — l'air expulsé est brûlant.
- Veillez à ne pas vous coincer les doigts dans le support réglable lorsque vous soulevez le projecteur. Ne poussez pas trop fort sur le dessus du projecteur lorsque le support réglable est abaissé.

Eclairage

- Pour obtenir la meilleure qualité d'image possible, l'avant de l'écran ne doit pas être directement exposé à la source d'éclairage ni au rayonnement solaire.
- Nous préconisons un éclairage au moyen de spots fixés au plafond. Placez un écran sur les lampes fluorescentes de façon à éviter une altération du niveau de contraste.
- Occultez les fenêtres qui font face à l'écran au moyen de draperies opaques.
- Il est préférable d'installer le projecteur dans une pièce où le sol et les murs ne sont pas revêtus d'un matériau réfléchissant la lumière. Si le sol et les murs réfléchissent la lumière, nous vous conseillons de remplacer le revêtement du sol et des murs par une couleur sombre.

Prévention de la surchauffe interne

Après avoir mis l'appareil hors tension au moyen de la touche I /  de la télécommande ou du panneau de commande, ne débranchez pas l'appareil de la prise secteur tant que le ventilateur de refroidissement continue à tourner.

Attention

Le projecteur est équipé d'orifices de ventilation (prise d'air) sur le dessous et d'orifices de ventilation (sortie d'air) à l'arrière. N'obstruez pas ces orifices et ne placez rien à proximité, car vous risqueriez de provoquer une surchauffe interne pouvant entraîner une altération de l'image ou des dommages au projecteur.

Entretien

- Pour conserver au châssis l'éclat du neuf, nettoyez-le régulièrement à l'aide d'un chiffon doux. Les taches tenaces s'éliminent en frottant avec un chiffon doux légèrement imprégné d'une solution détergente neutre. N'utilisez en aucun cas des solvants puissants tels que du diluant ou de la benzine ni de nettoyeurs abrasifs qui risqueraient d'altérer le fini du châssis.
- Ne touchez pas l'objectif. Pour éliminer la poussière de l'objectif, utilisez un chiffon doux et sec. N'utilisez pas de chiffon humide, de solution détergente ni de diluant.
- Nettoyez le filtre à air à intervalles réguliers (toutes les 300 heures).

Remballage

- Conservez le carton d'emballage et les matériaux de conditionnement d'origine, car ils constituent une protection idéale en vue du transport de l'appareil. Pour une protection maximale, remballer votre appareil comme il a été emballé à l'origine en usine.

Sur le projecteur LCD

Le projecteur LCD est fabriqué selon une technologie de haute précision. Il se peut cependant que de petits points noirs et/ou des points lumineux (rouge, bleu ou vert) apparaissent continuellement sur le projecteur LCD. Il s'agit d'un résultat normal du processus de fabrication qui n'indique pas un dysfonctionnement.

Caractéristiques

Luminosité élevée, haute qualité d'image

• Luminosité élevée

Le panneau LCD de rapport d'ouverture élevé, doté de micro-lentilles, et la lampe 200 W UHP vous permettent une luminosité élevée (flux lumineux 1800 lumen ANSI pour VPL-PX21 (sans micro-lentilles) et 2800 lumen ANSI pour VPL-PX31) ainsi qu'une excellente uniformité de l'image.

• Haute résolution

En adoptant trois panneaux de 1,3 pouce et d'environ 790.000 pixels XGA, ce projecteur est capable de projeter une image claire avec des résolutions de 1024 × 768 pixels en entrée RVB et de 750 lignes TV horizontales en entrée vidéo.

• Haute qualité d'image

Ce projecteur recourt à la correction gamma 3D numérique pour garantir une bonne uniformité de l'image. Et l'amplificateur RVB interne assure des images RVB plus nettes.

Installation simplifiée

• Fonction APA (alignement automatique des pixels) à hautes performances Sony originale

Vous pouvez obtenir automatiquement l'image la plus claire en appuyant simplement sur la touche APA lorsque le signal est entré depuis un ordinateur.

• Installation simplifiée avec un appareil externe

Ce projecteur comporte 44 types de données présélectionnées pour les signaux d'entrée. Vous pouvez projeter une image adéquate en raccordant un appareil au moyen du câble fourni et en appuyant sur la touche APA.

• Connecteurs USB, Digital RGB et 5BNC

Une sortie USB (p.ex., souris USB) vous permet d'étendre votre système. A l'aide du logiciel d'application accompagnant le projecteur, vous pouvez contrôler le projecteur au départ de votre ordinateur tournant sous Windows¹⁾ 98/98 Second Edition/2000. Le connecteur RVB numérique vous permet de raccorder le projecteur à un appareil RVB numérique. Le connecteur d'entrée 5BNC vous permet de raccorder le projecteur à une station de travail émettant des signaux haute résolution et de brancher le projecteur à un ordinateur lointain.

Présentation simplifiée

• Télécommande avec fonction de commande de souris et pointeur laser

Grâce au récepteur de souris intégré, vous pouvez contrôler un ordinateur à l'aide de la télécommande. Pour des présentations, vous pouvez utiliser le pointeur laser intégré dans la télécommande.

• Touches Digital ZOOM, FUNCTION et HELP de la télécommande

Le zoom numérique vous permet d'améliorer la présentation en agrandissant l'image.

Vous pouvez assigner un fichier de présentation aux touches FUNCTION à l'aide du logiciel d'application (CD-ROM) accompagnant le projecteur. Il suffit d'appuyer sur la touche FUNCTION pour ouvrir le fichier immédiatement. La touche HELP sera utile si vous rencontrez un problème en cours d'utilisation.

• Facilité d'emport

Ce projecteur de 7,2 kg (15 lb 14 oz) se présente sous un format portable. Grâce à sa poignée de transport très pratique, vous pouvez l'emporter partout avec vous.

Compatibilité multi-scan

• Convertisseur d'écran intégré

Ce projecteur est doté d'un convertisseur à balayage intégré qui convertit le signal d'entrée en 1024 × 768 pixels.

• Accepte différents signaux d'entrée

Ce projecteur accepte les signaux vidéo composite, S vidéo et composant ainsi que les signaux RVB 15k, VGA²⁾, SVGA²⁾, XGA²⁾ et SXGA²⁾ qui peuvent tous être affichés.

• Compatible avec six systèmes couleur

Les systèmes couleur NTSC^{3.58}, PAL, SECAM, NTSC^{4.43³⁾}, PAL-M et PAL-N peuvent être sélectionnés automatiquement ou manuellement.

Autres fonctions

Plug & Play

Ce projecteur satisfait aux normes DDC1 et DDC2B. (DDC1 et DDC2B sont les normes Display Data Channel (DDCTM)⁴⁾ de VESA.)

Lorsque vous connectez un serveur DDC1, le projecteur se synchronise sur le signal V.CLK conforme à la norme VESA et sort les données EDID (Extended Display Identification Data) vers la ligne de données.

Lorsque vous connectez un serveur DDC2B, le projecteur commute automatiquement le mode de communication approprié.

1) Windows est une marque commerciale déposée de Microsoft Corporation (aux Etats-Unis et dans d'autres pays).

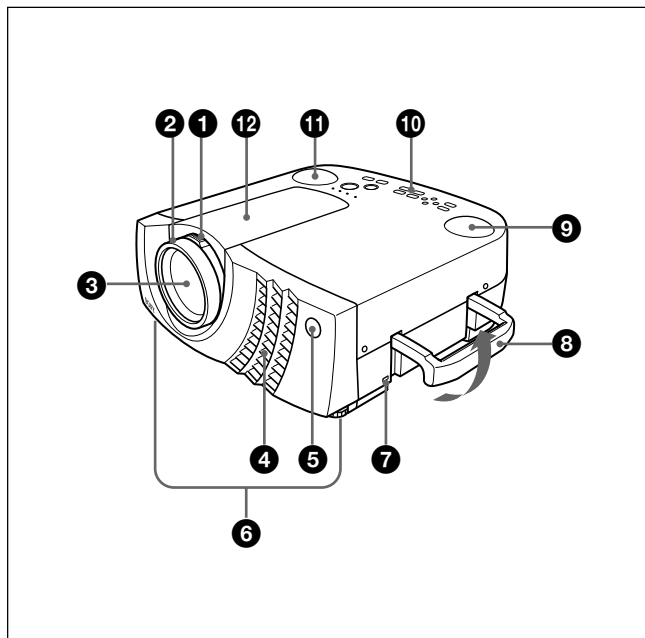
2) VGA, SVGA, XGA et SXGA sont des marques commerciales déposées d'International Business Machines Corporation, U.S.A.

3) NTSC^{4.43} est le système couleur utilisé pour la reproduction d'enregistrements vidéo réalisés sur NTSC d'un magnétoscope avec système NTSC^{4.43}.

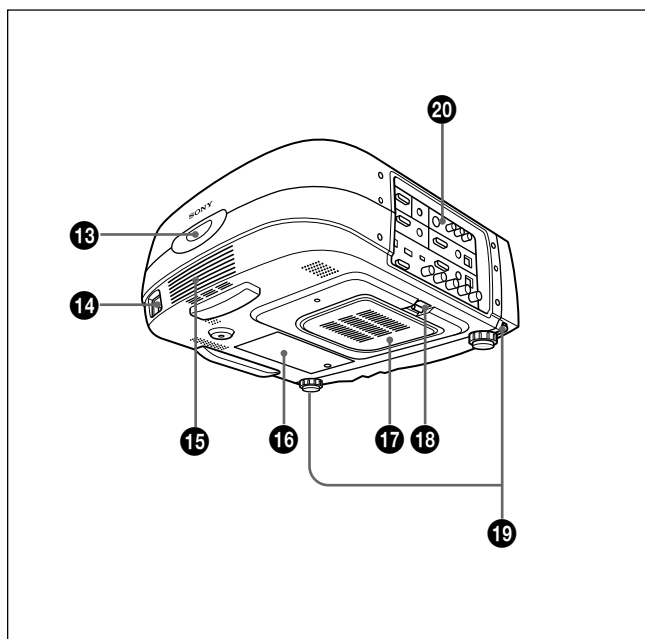
4) DDCTM est une marque commerciale déposée de Video Electronics Standard Association.

Emplacement et fonction des commandes

Avant/Côté gauche



Arrière/Côté droit/Dessous



❶ Bague de zoom

Ajuste la taille de l'image.

❷ Bague de mise au point

Ajuste la mise au point de l'image.

❸ Objectif

Ouvrez le volet de l'objectif avant la projection.

❹ Orifices de ventilation (sortie d'air)

❺ Capteur de télécommande frontal (récepteur SIRCS)

❻ Support réglable

Lorsqu'une image est projetée en-dehors de l'écran, ajustez l'image à l'aide de ce support réglable.

Pour plus de détails sur l'utilisation du support réglable, voir "Utilisation du support réglable" à la page 8 (FR).

❼ Serrure de sécurité

Branchez-y un câble de sécurité en option (fabriqué par Kensington)¹⁾.

La serrure Kensington est conforme au système de sécurité MicroSaver^{®1)} Kensington.

Pour obtenir plus d'informations, contactez Kensington

2855 Campus Drive, San Mateo, CA 94403

En Amérique du nord

Téléphone: 800-235-6708

Télécopie: 800-247-1317

En dehors de l'Amérique du nord

Téléphone: 847-541-9500

Adresse page d'accueil:

<http://www.kensington.com/>

❽ Poignée de transport

Relevez la poignée pour transporter le projecteur.

❾ Haut-parleur gauche

❿ Panneau de commande

Pour plus de détails, voir "Panneau de commande" à la page 8 (FR).

⓫ Haut-parleur droit

⓬ Capot de l'objectif

1) Kensington et MicroSaver sont des marques déposées de Kensington Technology Group.

13 Capteur de télécommande arrière (récepteur SIRCS)

14 Prise AC IN

Branchez-y le câble d'alimentation fourni.

15 Haut-parleur arrière

16 Couvercle de la lampe

17 Orifices de ventilation (prise d'air)/couvercle du filtre à air

Remarques

- Ne placez rien à proximité des orifices de ventilation sous peine de provoquer une surchauffe interne.
- Ne placez pas la main ou d'autres objets à proximité des orifices de ventilation — l'air expulsé est brûlant.

18 Bouton du couvercle du filtre à air

Sert à la dépose du couvercle du filtre à air.

Pour plus de détails, voir "Nettoyage du filtre à air" à la page 32 (FR).

Remarque

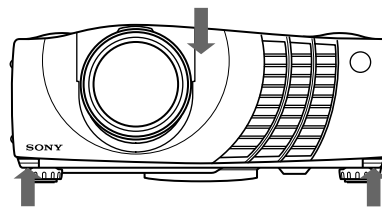
Nettoyez le filtre à air toutes les 300 heures afin d'assurer des performances optimales.

19 Boutons des molettes de réglage

20 Panneau des connecteurs

Pour plus de détails, voir page 10 (FR).

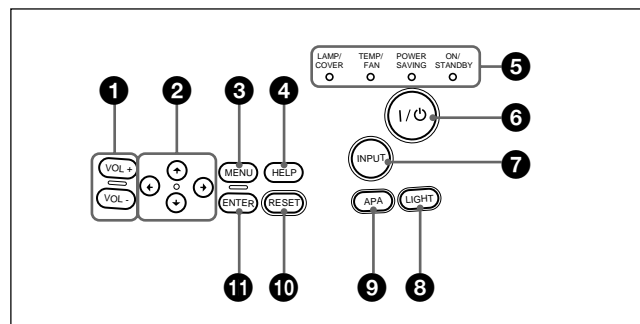
- 2** Tout en appuyant sur les boutons, abaissez le projecteur. Ensuite, relâchez les boutons. Les molettes de réglages se bloquent, fixant ainsi la hauteur du projecteur. Pour un réglage fin, tournez les dispositifs de réglage vers la droite et vers la gauche.



Remarques

- Veillez à ne pas laisser retomber le projecteur sur vos doigts.
- Ne poussez pas trop fort sur le dessus du projecteur lorsque les molettes de réglage sont abaissées.

Panneau de commande



1 Touches VOL +/-

Règlent le volume des haut-parleurs intégrés et du niveau de sortie de la prise AUDIO.

- + : Augmente le volume.
- : Diminue le volume.

2 Touches fléchées (↑/↓/←/→)

Servent à sélectionner le menu ou à effectuer différents réglages.

3 Touche MENU

Affiche le menu. Appuyez de nouveau sur la touche pour désactiver le menu.

4 Touche HELP

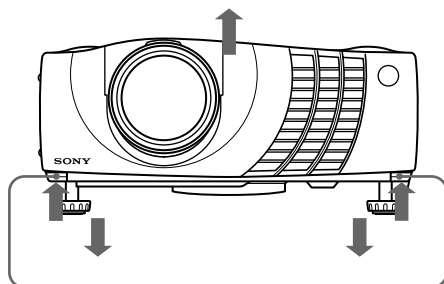
Si vous avez besoin d'informations d'aide en cours d'utilisation, appuyez sur cette touche pour afficher les messages d'aide. Le menu d'aide affiche une liste des solutions aux problèmes, en fonction du type de problème rencontré.

Utilisation du support réglable

Pour régler la hauteur

Ajustez la hauteur du projecteur comme suit:

- 1** Soulevez le projecteur et appuyez sur les boutons du dispositif de réglage. Les dispositifs de réglage sortiront du projecteur.



Boutons des molettes de réglage

5 Indicateurs

LAMP/COVER: S'allume ou clignote dans les conditions suivantes :

- S'allume lorsque la lampe a atteint la fin de sa durée de vie utile ou une température élevée.
- Clignote lorsque le couvercle de la lampe ou le couvercle du filtre à air n'est pas correctement fixé.

TEMP (Température)/FAN: S'allume ou clignote dans les conditions suivantes :

- S'allume lorsque la température intérieure du projecteur devient anormalement élevée.
- Clignote lorsque le ventilateur est défectueux.

POWER SAVING: S'allume lorsque le projecteur est en mode d'économie d'énergie. Lorsque **MODE ECO** dans le menu **REGLAGE** est réglé sur **ON**, le projecteur passe en mode d'économie d'énergie si aucun signal n'est entré pendant 10 minutes. Bien que le témoin s'éteigne, le ventilateur de refroidissement continue de tourner. En mode d'économie d'énergie, aucune des touches ne fonctionne pendant les 40 premières secondes. Le mode d'économie d'énergie est désactivé dès qu'un signal est entré ou qu'une touche est actionnée.

ON/STANDBY: S'allume ou clignote dans les conditions suivantes :

- S'allume en rouge lorsque le câble d'alimentation secteur est branché sur la prise murale. Dès que le projecteur est en mode de veille, vous pouvez activer le projecteur à l'aide de la touche **| / ⏻**.
- S'allume en vert lorsque le projecteur est sous tension.
- Clignote en vert tant que le ventilateur de refroidissement tourne après la mise hors tension du projecteur à l'aide de la touche **| / ⏻**. Le ventilateur tourne pendant environ 120 secondes après la mise hors tension. L'indicateur **ON/STANDBY** clignote rapidement pendant les 40 premières secondes. Pendant cette durée, vous ne pouvez pas remettre le projecteur sous tension à l'aide de la touche **| / ⏻**.

*Pour plus de détails sur les indicateurs **LAMP/COVER** et **TEMP/FAN**, voir page 34 (FR).*

6 Touche **| / ⏻** (marche / veille)

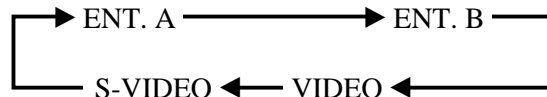
Met le projecteur sous et hors tension lorsqu'il se trouve en mode de veille. L'indicateur **ON/STANDBY** s'allume en vert lorsque le projecteur est sous tension.

Pour mettre le projecteur hors tension, appuyez deux fois sur la touche **| / ⏻ en fonction du message affiché à l'écran ou maintenez la touche enfoncée pendant environ une seconde.**

Pour plus de détails sur la procédure de mise hors tension, voir "Pour mettre le projecteur hors tension" à la page 19 (FR).

7 Touche **INPUT**

Sélectionne le signal d'entrée. Chaque fois que vous appuyez sur cette touche, le signal d'entrée est commuté de la façon suivante:



Les signaux audio sont communs à **VIDEO** et à **S-VIDEO**.

8 Touche **LIGHT**

Si vous appuyez sur cette touche alors que le projecteur est sous tension, les touches du panneau de commande s'affichent en orange. Appuyez sur cette touche pour désactiver l'éclairage.

9 Touche **APA (alignement automatique des pixels)**

Ajuste automatiquement l'image à projeter d'un signal entré depuis l'ordinateur pour qu'elle soit la plus claire possible. Ajuste automatiquement le décalage (haut/bas et gauche/droite) en même temps.

Remarque

Appuyez sur la touche **APA** lorsque l'image est affichée à l'écran dans son intégralité. S'il y a des bords noirs autour de l'image, la fonction **APA** ne sera pas opérante correctement et il se peut que l'image dépasse les bords de l'écran.

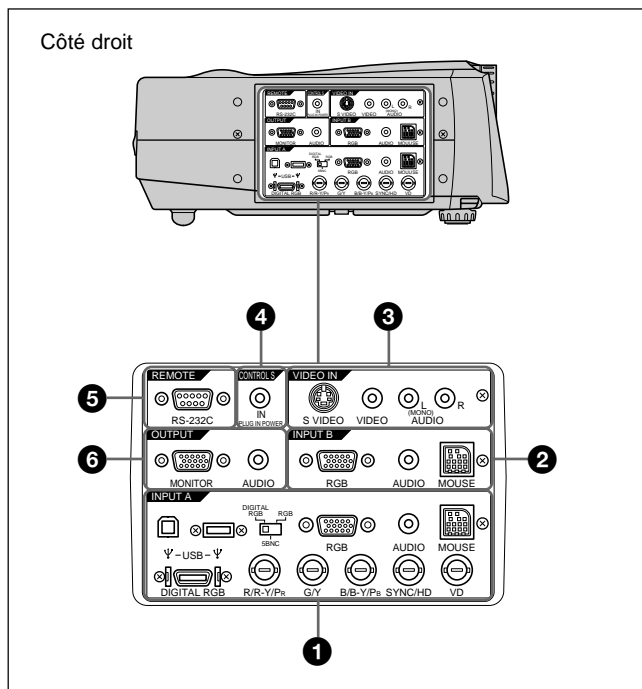
10 Touche **RESET**

Restaure la valeur de réglage par défaut d'un paramètre. Cette touche est opérante lorsque le menu ou un paramètre de réglage est affiché à l'écran.

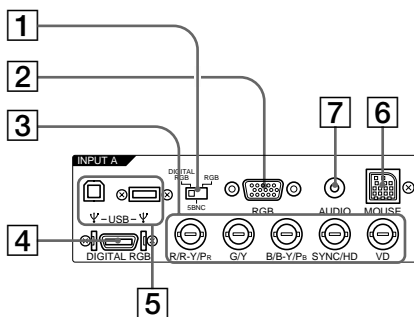
11 Touche **ENTER**

Confirme le réglage des paramètres dans le menu système.

Panneau des connecteurs



1 Connecteurs INPUT A



- 1 Commutateur DIGITAL RGB/5BNC/RGB :**
Sélectionne DIGITAL RGB, 5BNC ou RGB des connecteurs INPUT A. Sélectionnez la position appropriée en fonction du signal d'entrée.

DIGITAL RGB: Signal entré via le connecteur DIGITAL RGB.

5BNC: Signal entré via le connecteur 5BNC.

RGB: Signal entré via le connecteur RGB.

- 2 Connecteur d'entrée RGB (HD D-sub à 15 broches, femelle):** Raccordez-le à la sortie moniteur d'un ordinateur à l'aide du câble fourni. Ce connecteur accepte uniquement les signaux d'un ordinateur.

- 3 Connecteurs d'entrée 5BNC (connecteurs R/R-Y/P_R, G/Y, B/B-Y/P_B, SYNC/HD, VD) (type BNC):**

Raccordez-les à un ordinateur ou à un magnétoscope à haute résolution lorsque les signaux sont transmis sur de longues distances; par exemple, si le projecteur a été installé au plafond.

Vous pouvez sélectionner un signal pour

l'appareil raccordé. En fonction de l'appareil raccordé, le signal d'ordinateur, composant (R-Y/Y/B-Y), HDTV ou DTV (DTV GBR, DTV YP_BP_R) est sélectionné.

- 4 Connecteur d'entrée DIGITAL RGB (DFP à 20 broches, TMDS):** Se raccorde à un connecteur de sortie RVB numérique d'un appareil externe.

- 5 Connecteur USB:** Raccordez-le à votre ordinateur ou à un appareil USB.

Fiche A : (droite, en aval, 4 broches): Se branche à un appareil USB.

Fiche B : (gauche, en amont, 4 broches):

Raccordez-la à un ordinateur. Si vous raccordez le projecteur à un ordinateur, le projecteur assume automatiquement qu'une souris USB est connectée; cela vous permet de contrôler la souris au départ de la télécommande. Le logiciel d'application fourni avec le projecteur vous permet de commander le projecteur au départ de votre ordinateur.

- 6 Connecteur MOUSE (13 broches):** Raccordez-le au port de souris d'un ordinateur pour commander la fonction de souris à l'aide du câble de souris fourni.

- 7 Prise AUDIO (miniprise stéréo):** Raccordez-le à la sortie audio d'un ordinateur.

2 Connecteurs INPUT B

Raccordez-les à un appareil externe comme un ordinateur. Vous pouvez commander le signal de la souris à l'aide de la télécommande.

Entrée RGB (HD D-sub à 15 broches, femelle):

Raccordez-la à la sortie moniteur d'un ordinateur à l'aide du câble fourni. Ce connecteur accepte uniquement les signaux d'un ordinateur.

AUDIO (miniprise stéréo): Raccordez-la à la sortie audio d'un ordinateur.

MOUSE (13 broches): Raccordez-le au port de souris d'un ordinateur pour commander la fonction de souris à l'aide du câble de souris fourni.

3 Prises VIDEO IN

Raccordez-les à un appareil vidéo externe comme un magnétoscope.

S VIDEO (mini DIN à 4 broches): Raccordez-le à la sortie vidéo S (sortie vidéo Y/C) d'un appareil vidéo.

VIDEO (type phono): Raccordez-le à la sortie vidéo composite.

Entrée AUDIO L (MONO)/R (type phono):

Raccordez-les à la sortie audio d'un appareil externe. Dans le cas d'un appareil stéréo, utilisez à la fois la prise L et la prise R; dans le cas d'un appareil monaural, utilisez uniquement la prise L (MONO).

Les signaux audio sont communs à VIDEO et à S VIDEO.

4 Prise CONTROL S IN/PLUG IN POWER (sortie 5 V CC) :

Se branche aux prises CONTROL S OUT de l'appareil Sony.

Se branche à la prise CONTROL S OUT de la télécommande fournie lorsqu'elle est utilisée comme télécommande câblée. Dans ce cas, vous n'avez pas besoin d'installer les piles de la télécommande étant donné que l'alimentation est fournie par cette prise.

5 Connecteur RS-232C (D-sub à 9 broches, femelle):

Raccordez-le à un ordinateur pour commander le projecteur au départ d'un ordinateur.

6 Connecteurs OUTPUT

MONITOR (HD D-sub à 15 broches, femelle):

Se branche à l'entrée vidéo du moniteur. Sort les signaux du canal sélectionné dans la zone de connecteurs INPUT A (RGB ou 5BNC) ou INPUT B (RGB). Ce connecteur ne sort aucun signal provenant du connecteur DIGITAL RGB.

AUDIO (type phono): Raccordez-le à des haut-parleurs actifs externes.

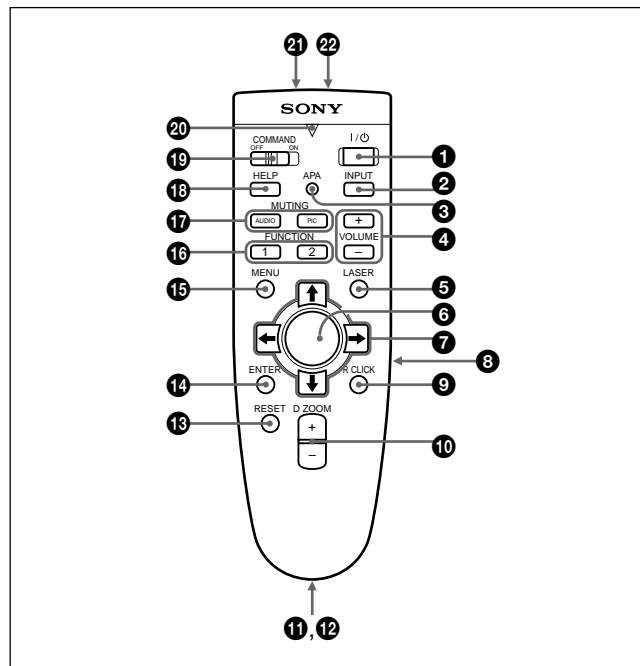
Le volume des haut-parleurs peut être réglé à l'aide des touches VOLUME +/- de la télécommande ou des touches VOL +/- du panneau de commande.

Télécommande

Les touches portant le même nom que sur le panneau de commande remplissent la même fonction.

Vous pouvez commander un ordinateur connecté au moyen de la télécommande.

Pour plus de détails, voir "Raccordement à un ordinateur" à la page 13 (FR)



Remarques sur le faisceau laser

- Ne regardez pas vers le transmetteur laser.
- Ne dirigez pas le faisceau laser vers des personnes.

1 Touche I / ⏻

2 Touche INPUT

3 Touche APA (alignement automatique des pixels)

4 Touches VOLUME +/-

5 Touche LASER

Une pression sur cette touche commande l'émission du faisceau laser par le transmetteur laser.

6 Manette de commande

Fonctionne comme la souris d'un ordinateur raccordé à l'appareil.

7 Touches fléchées (↑/↓/←/→)

8 Touche L CLICK

Fonctionne comme le bouton gauche d'une souris. Si vous avez raccordé un ordinateur Macintosh¹⁾, la touche L CLICK fonctionne comme le bouton d'une souris.

1) Macintosh est une marque commerciale déposée d'Apple Computer, Inc.

9 Touche R CLICK

Fonctionne comme le bouton droit d'une souris. Si vous avez raccordé un ordinateur Macintosh, la touche R CLICK fonctionne comme le bouton d'une souris.

10 Touche D ZOOM +/-

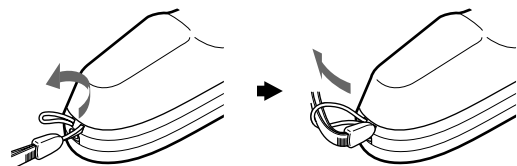
Agrandit l'image à l'endroit souhaité de l'écran.

+ : Une pression unique sur la touche + affiche l'icône. Cette icône indique l'endroit que vous voulez agrandir. Utilisez une flèche de direction (↑/↓/←/→) pour déplacer l'icône vers l'endroit à agrandir. Appuyez plusieurs fois sur la touche + jusqu'à ce que l'image soit agrandie selon vos exigences.

- : Une pression sur la touche - réduit une image qui a été agrandie au moyen de la touche D ZOOM +.

11 Dragonne

Attachez la dragonne fournie à ce crochet.



12 Prise CONTROL S OUT (miniprise stéréo)

Raccordez-la à la prise CONTROL S IN du projecteur à l'aide d'un câble de connexion (non fourni) lorsque vous utilisez la télécommande comme une commande filaire. Dans ce cas, vous ne devez pas installer de piles dans la télécommande puisque son alimentation est assurée via la prise CONTROL S IN du projecteur.

13 Touche RESET

14 Touche ENTER

15 Touche MENU

16 Touches FUNCTION 1/2

Lorsque vous raccordez le projecteur à un ordinateur, vous pouvez ouvrir un fichier à l'écran en appuyant simplement sur la touche FUNCTION. Cela améliorera votre présentation. Pour utiliser cette fonction, assignez un fichier à la touche FUNCTION à l'aide du logiciel d'application. Pour plus de détails sur la méthode d'assignation d'un fichier à la touche FUNCTION, reportez-vous au fichier d'aide du logiciel d'application.

17 Touches MUTING

Coupent le son et l'image.

PIC : Coupe l'image. Appuyez de nouveau sur la touche pour restaurer l'image.

AUDIO : Coupe le son diffusé via les haut-parleurs et la prise AUDIO. Appuyez de nouveau ou appuyez sur la touche VOLUME + pour rétablir le son.

18 Touche HELP

Si vous avez besoin d'informations d'aide pendant l'utilisation, appuyez sur cette touche pour afficher les messages d'aide.

19 Commutateur COMMAND ON/OFF

Lorsque ce commutateur est réglé sur OFF, aucune touche de la télécommande ne fonctionne. Cela permet d'économiser les piles.

20 Indicateur de transmission

S'allume lorsque vous appuyez sur une touche de la télécommande.

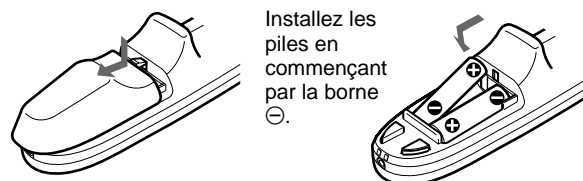
Cet indicateur ne s'allume pas lorsque vous utilisez le pointeur laser.

21 Transmetteur infrarouge

22 Transmetteur laser

Installation des piles

- 1 Appuyez sur le couvercle et faites-le glisser pour l'ouvrir, puis installez les deux piles AA (R6) (fournies) en respectant la polarité.



- 2 Refermez le couvercle.

Remarques sur les piles

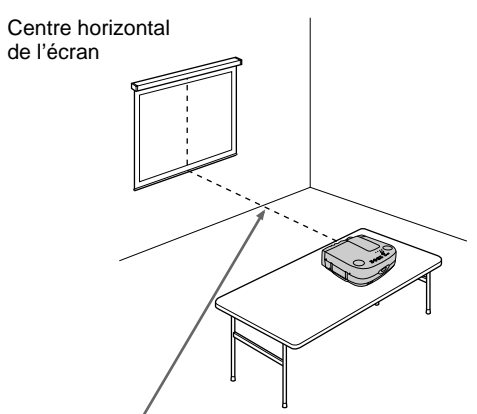
- Veillez à orienter les piles dans le bon sens lorsque vous les installez dans la télécommande.
- N'utilisez pas en même temps des piles neuves et des piles usagées, ni des piles de types différents.
- Si vous prévoyez de ne pas utiliser la télécommande pendant une période prolongée, retirez-en les piles de façon à éviter tout dommage causé par une fuite des piles. Si une pile a fuit, retirez les piles, nettoyez le compartiment à piles et remplacez les piles.

Remarques sur le fonctionnement de la télécommande

- Veillez à ce qu'aucun obstacle entre la télécommande et le projecteur n'entrave le faisceau infrarouge entre la télécommande et le capteur de télécommande du projecteur.
- La portée de commande est limitée. Plus la distance entre la télécommande et le projecteur est courte, plus le champ dans lequel la télécommande peut commander le projecteur est large.

Installation du projecteur

Cette section décrit les configurations d'installation du projecteur.



Centre horizontal de l'écran

La distance entre l'objectif et l'écran varie suivant la taille de l'écran. Utilisez le tableau suivant comme guide de référence.

Distance entre l'écran et le centre de l'objectif

		Unité: m (pieds)							
Taille de l'écran (pouces)		40	60	80	100	120	150	200	300
Distance minimale		1,5 (4,9)	2,3 (7,5)	3,1 (10,0)	3,9 (12,6)	4,6 (15,2)	5,8 (19,1)	7,8 (25,5)	11,7 (38,4)
Distance maximale		1,8 (6,0)	2,8 (9,1)	3,7 (12,3)	4,7 (15,4)	5,7 (18,6)	7,1 (23,3)	9,5 (31,2)	14,3 (46,9)

Raccordement

Raccordement à un ordinateur

Cette section vous explique comment raccorder le projecteur à un ordinateur.

Vous pouvez contrôler le projecteur de votre ordinateur à l'aide du logiciel d'application fourni avec le projecteur et/ou vous pouvez utiliser un appareil USB. Pour plus de détails, reportez-vous à "Utilisation d'un appareil USB (p.ex., souris USB)".

Lorsque le projecteur est raccordé à un ordinateur, vous pouvez commander la souris de l'ordinateur à l'aide de la télécommande.

Les touches R/L CLICK et la manette de commande fonctionnent comme suit.

Remarque

Veillez à ce qu'aucun obstacle n'entrave le rayon infrarouge entre la télécommande et le capteur de télécommande du projecteur.

Touche et manette de commande	Fonction	
	IBM PC/AT ¹⁾ compatible, série	Macintosh
R CLICK (avant)	Bouton droit	Bouton de souris
L CLICK (arrière)	Bouton gauche	Bouton de souris
Manette de commande	Correspond aux mouvements de la souris	

Reportez-vous également au mode d'emploi de l'appareil à raccorder.

Remarques

- Cet appareil accepte les signaux VGA, SVGA, XGA et SXGA. Toutefois, nous vous recommandons de choisir XGA comme signal de sortie de votre ordinateur.
- Si vous réglez votre ordinateur, tel qu'un portable IBM PC/AT compatible, pour sortir le signal à la fois vers l'écran de votre ordinateur et le moniteur externe, il se peut que l'image n'apparaisse pas correctement sur le moniteur externe. En pareil cas, réglez le mode de sortie de votre ordinateur pour sortir le signal vers le moniteur externe uniquement. *Pour plus de détails, reportez-vous au mode d'emploi fourni avec votre ordinateur.*
- Les connecteurs d'entrée RGB du connecteur INPUT A/B et DIGITAL RGB de INPUT A satisfont à la norme VESA DDC2B. Si votre ordinateur ou votre carte graphique est compatible avec DDC, mettez le système sous tension comme suit:
 - 1 Raccordez le projecteur à l'ordinateur à l'aide du câble HD D-sub à 15 broches.
 - 2 Mettez le projecteur sous tension.
 - 3 Initialisez l'ordinateur.

1) IBM et PC/AT sont une marque de commerce et une marque de commerce déposée par International Business Machines Corporation aux Etats-Unis.

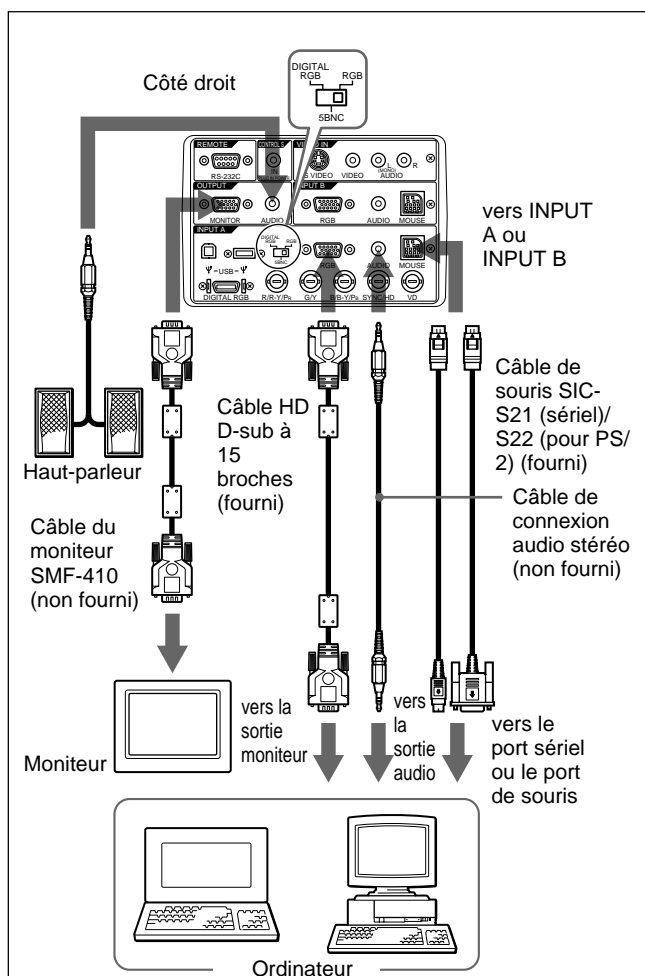
Lors de l'établissement des connexions :

- mettez tous les appareils hors tension avant tout raccordement.
- utilisez les câbles appropriés pour chaque raccordement.
- branchez correctement les fiches des câbles; des fiches incomplètement enfichées génèrent souvent des parasites. Pour débrancher un câble, saisissez-le par la fiche; ne tirez pas sur le câble proprement dit.

Remarques

- Raccordez tous les câbles de connexion aux connecteurs INPUT A lorsque vous introduisez un signal via les connecteurs INPUT A. Raccordez tous les câbles aux connecteurs INPUT B lorsque vous introduisez un signal via les connecteurs INPUT B.
- Le câble de souris fourni peut ne pas fonctionner correctement en fonction de votre ordinateur.

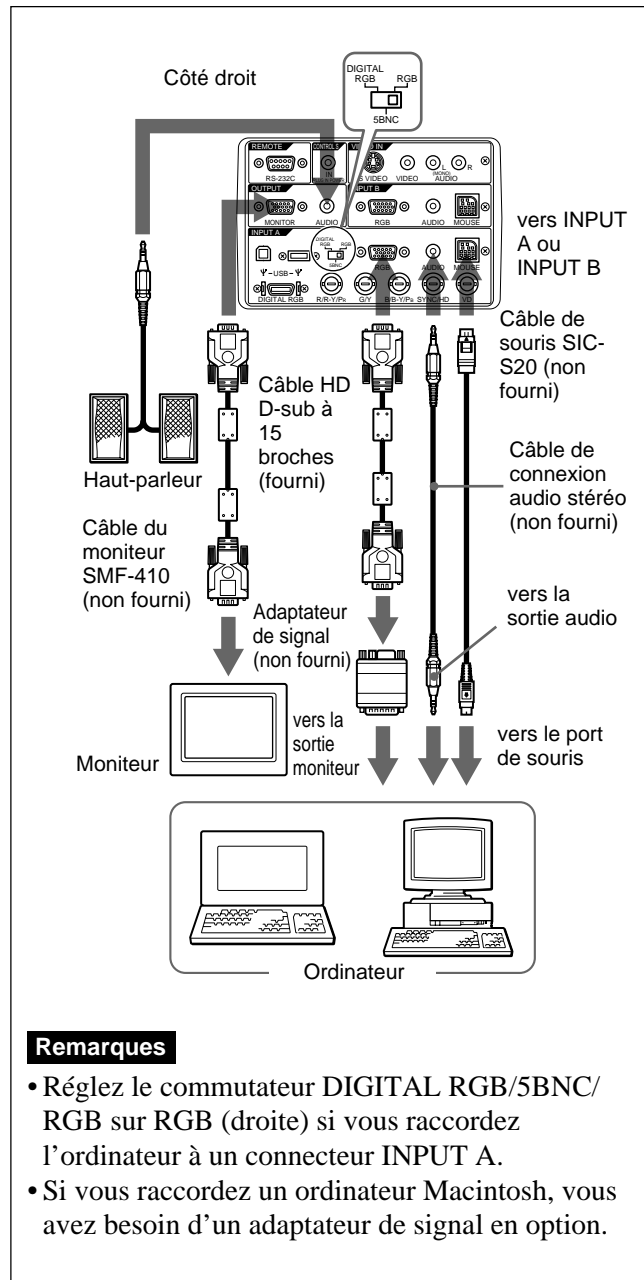
Raccordement à un ordinateur IBM PC/AT compatible



Remarque

Réglez le commutateur DIGITAL RGB/5BNC/RGB sur RGB (droite) si vous raccordez l'ordinateur à un connecteur INPUT A.

Raccordement à un ordinateur Macintosh

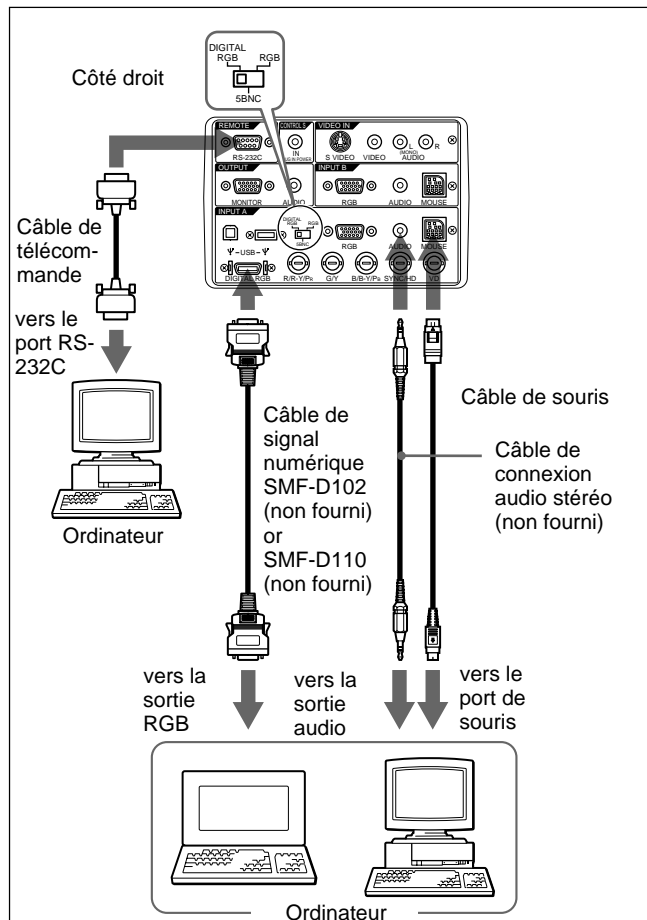


Remarques

- Réglez le commutateur DIGITAL RGB/5BNC/RGB sur RGB (droite) si vous raccordez l'ordinateur à un connecteur INPUT A.
- Si vous raccordez un ordinateur Macintosh, vous avez besoin d'un adaptateur de signal en option.

Utilisation du connecteur DIGITAL RGB (TMDS)

Raccordez l'ordinateur au connecteur DIGITAL RGB (TMDS) sur le panneau des connecteurs.



Remarques

- Utilisez le câble de souris adéquat pour votre ordinateur.
- Vous pouvez utiliser une souris USB. Pour plus de détails, voir "Utilisation d'un appareil USB (p. ex., souris USB)".
- Réglez le commutateur DIGITAL RGB/5BNC/RGB sur DIGITAL RGB (gauche).
- Pour raccorder un appareil numérique RVB, utilisez le câble de signal numérique (SMF-D102 ou SMF-D110) (non fourni). N'utilisez pas d'autres câbles – des parasites risquent d'apparaître sur l'image.

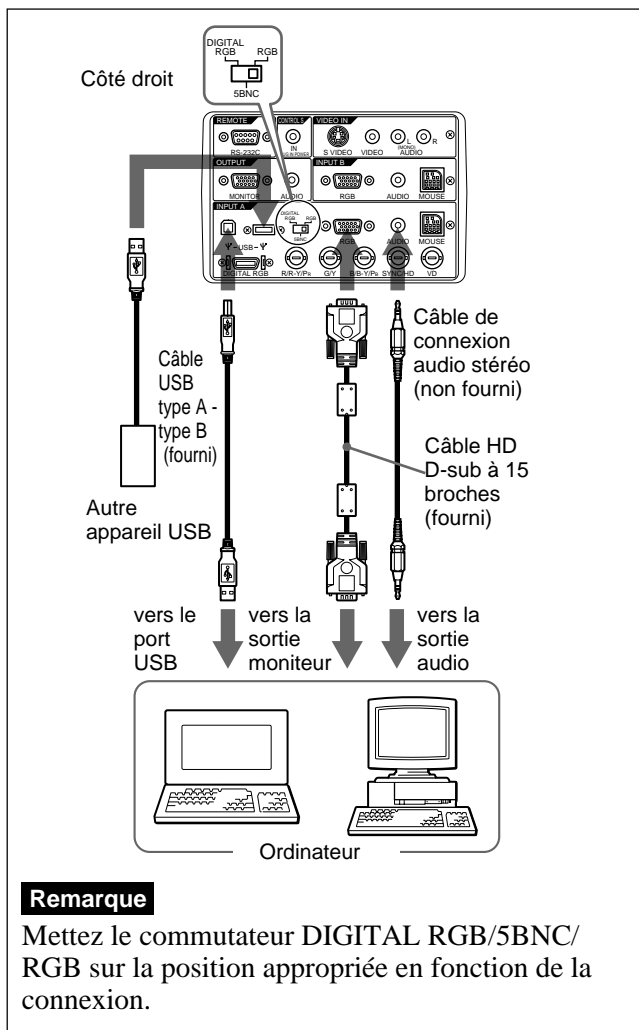
Remarque

Si vous utilisez le connecteur DIGITAL RGB (TMDS), le connecteur MONITOR ne sort pas les signaux d'image.

Utilisation d'un appareil USB (p.ex., souris USB)

Raccordez l'appareil USB au connecteur USB du panneau du connecteur.

Vous pouvez raccorder votre ordinateur au projecteur via le connecteur RGB, le connecteur 5BNC ou le connecteur DIGITAL RGB. (L'exemple ci-dessous utilise le connecteur RGB.)



Remarque

Mettez le commutateur DIGITAL RGB/5BNC/RGB sur la position appropriée en fonction de la connexion.

À propos de la fonction USB

Lors du premier raccordement du projecteur à un ordinateur à l'aide du câble USB, l'ordinateur reconnaît automatiquement les périphériques suivants.

- 1 Hub USB (utilisation générique)
 - 2 Périphérique d'interface utilisateur USB (fonction de souris sans fil)
 - 3 Périphérique d'interface utilisateur USB (fonction de commande de projecteur)
- L'ordinateur reconnaît également le périphérique raccordé au connecteur en aval du projecteur.

Système d'exploitation recommandé

Si vous utilisez la fonction USB, raccordez votre ordinateur comme illustré ci-dessus.

Le logiciel d'application fourni et la fonction USB de ce projecteur peuvent être utilisés sur un ordinateur sur lequel Windows 98, Windows 98 SE ou Windows 2000 a été préinstallé.

Remarques

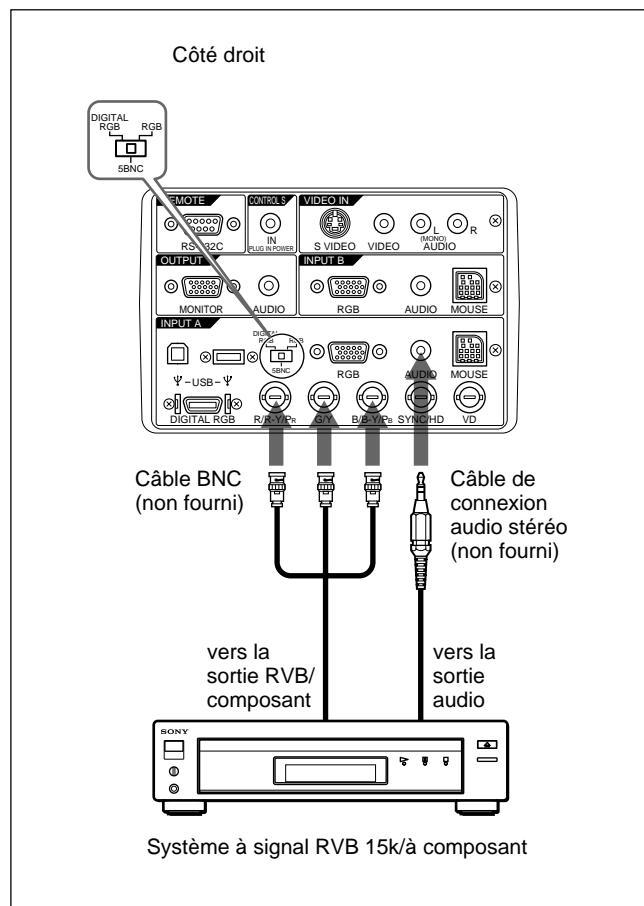
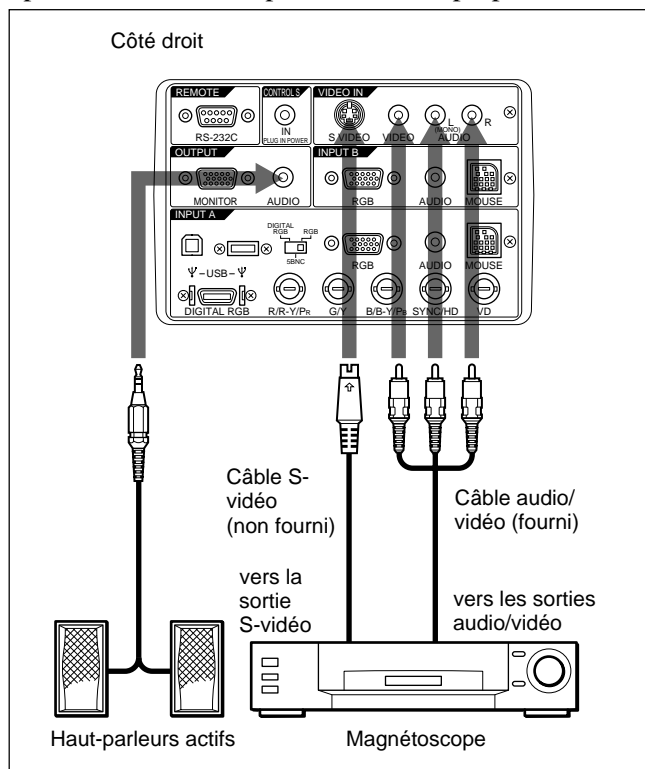
- Étant donné que le projecteur reconnaît la souris USB lorsque l'ordinateur est raccordé au connecteur USB, ne raccordez rien au connecteur MOUSE.
- Il se peut que votre ordinateur ne démarre pas correctement lorsqu'il est raccordé au projecteur via le câble USB. Dans ce cas, déconnectez le câble USB, redémarrez l'ordinateur, puis raccordez l'ordinateur au projecteur en utilisant le câble USB.
- Ce projecteur ne garantit pas le mode de veille. Lorsque vous utilisez le projecteur en mode de veille, déconnectez le projecteur du port USB de l'ordinateur.
- Le fonctionnement n'est pas garanti pour tous les systèmes d'exploitation recommandés.

Raccordement à un magnétoscope/ système à signal RVB 15k/à composants

Cette section décrit comment raccorder le projecteur à un magnétoscope, à des haut-parleurs actifs externes ou à un système à signal RVB 15k/à composants. Reportez-vous également au mode d'emploi de l'appareil à raccorder.

Lors de l'établissement des connexions :

- mettez tous les appareils hors tension avant tout raccordement.
- utilisez les câbles appropriés pour chaque raccordement.
- branchez correctement les fiches des câbles; des fiches incomplètement enfichées génèrent souvent des parasites. Pour débrancher un câble, saisissez-le par la fiche; ne tirez pas sur le câble proprement dit.

**Remarques**

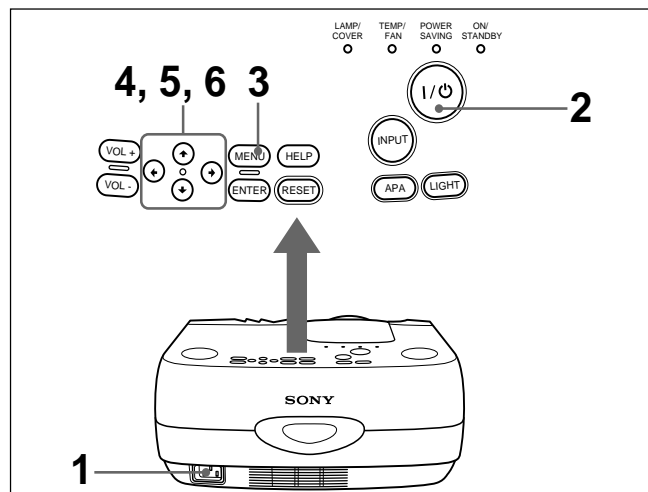
- Réglez le format d'image à l'aide du paramètre FORMAT du menu REGL ENTREE en fonction du signal d'entrée.
- Pour raccorder un appareil 15k RVB/Composante, sélectionnez ORDINATEUR/COMPOSANT/DTV YP_BPr/DTV GBR dans ENT. A dans le menu REGLAGE en fonction du signal d'entrée.
- Utilisez le signal de synchronisation composite lorsque vous introduisez le signal de synchronisation externe du système RVB 15k/composant.

Raccordement d'un HDTV 1035/60i

Comme le rapport d'écran d'une image à haute définition est de 16:9e et que 576 lignes sont affichées dans le sens vertical, l'image affichée n'est pas une image à haute définition.

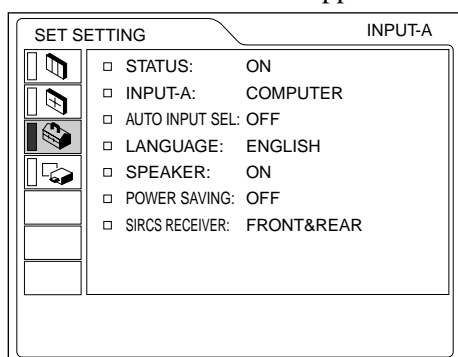
Sélection de la langue d'affichage des menus

Vous pouvez sélectionner la langue d'affichage des menus et des autres indications. Le réglage par défaut est ENGLISH.



- 1 Introduisez la fiche secteur dans la prise murale.
- 2 Appuyez sur la touche I / ⏻ pour mettre l'appareil sous tension.
- 3 Appuyez sur la touche MENU.
Le menu s'affiche à l'écran.
- 4 Sélectionnez l'icône du menu SET SETTING, la troisième, à l'aide de la touche ↑ ou ↓, puis appuyez sur la touche → ou ENTER.

Le menu SET SETTING apparaît.



- 5 Sélectionnez LANGUAGE à l'aide de la touche ↑ ou ↓, puis appuyez sur la touche → ou ENTER.
- 6 Sélectionnez la langue voulue à l'aide de la touche ↑ ou ↓ et appuyez ensuite sur la touche ← ou ENTER.

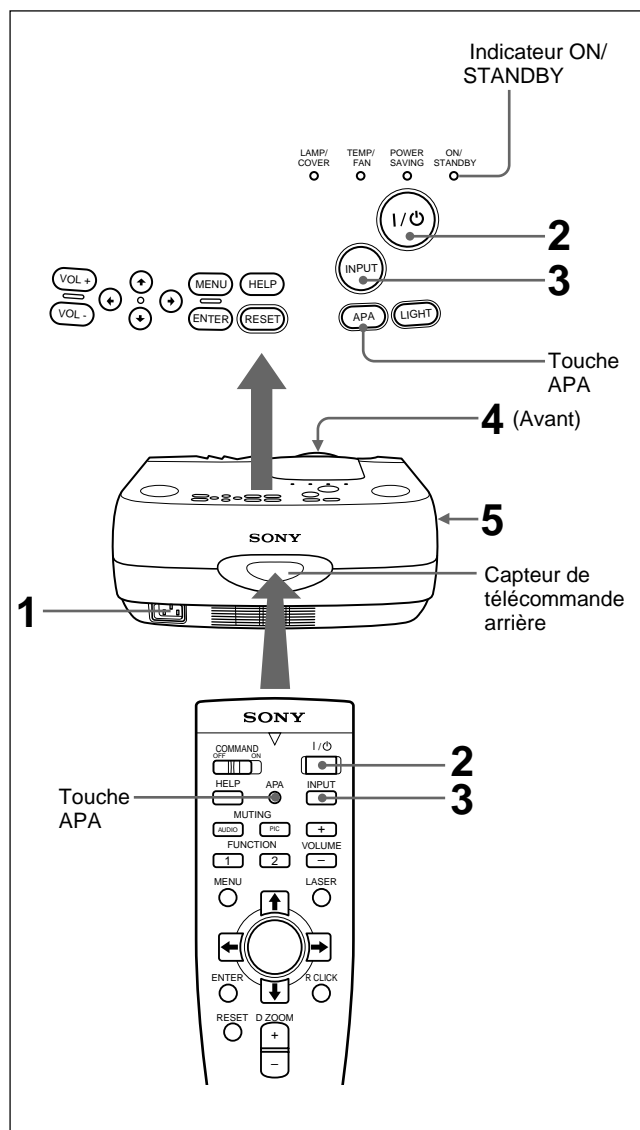
Le menu s'affiche dans la langue sélectionnée.

Pour faire disparaître le menu

Appuyez la touche MENU.

L'affichage du menu disparaît automatiquement si aucune touche n'est activée pendant une minute.

Projection



- 1 Lorsque tous les appareils ont été correctement raccordés, branchez le câble d'alimentation sur une prise murale (secteur).

L'indicateur ON/STANDBY s'allume en rouge et le projecteur passe en mode de veille.

- 2 Appuyez sur la touche I / ⏻.

L'indicateur ON/STANDBY s'allume en vert.

- 3 Allumez l'appareil raccordé au projecteur. Appuyez sur la touche INPUT pour sélectionner la source d'entrée.

- ENT. A:** Sélectionne les signaux audio et vidéo entrés via le connecteur INPUT A.
- ENT. B:** Sélectionne les signaux audio et vidéo entrés via le connecteur INPUT B.
- VIDEO:** Sélectionne les signaux audio et vidéo entrés via les prises AUDIO/VIDEO (VIDEO IN).
- S-VIDEO:** Sélectionne les signaux audio et vidéo entrés via les prises AUDIO/S VIDEO (VIDEO IN).

Remarque

Les prises AUDIO des connecteurs VIDEO IN sont utilisées comme sortie audio de VIDEO et S-VIDEO.

- 4** Tournez la bague de zoom pour ajuster la taille de l'image.
- 5** Tournez la bague de mise au point pour régler la netteté de l'image.

Remarque

Ne regardez pas vers l'objectif en cours de projection car vous risquez sinon de vous blesser les yeux.

Pour	Appuyez sur
Régler le volume	les touches VOL +/- du panneau de commande ou les touches VOLUME +/- de la télécommande.
Couper le son	la touche AUDIO MUTING de la télécommande. Pour restaurer le son, appuyez de nouveau sur la touche AUDIO MUTING ou appuyez sur la touche VOL + du panneau de commande ou la touche VOLUME + de la télécommande.
Couper l'image	la touche PIC MUTING de la télécommande. Pour restaurer l'image, appuyez de nouveau sur la touche PIC MUTING.

Pour obtenir l'image la plus claire

Vous pouvez ajuster la phase des points lorsqu'un signal est entré depuis l'ordinateur. Appuyez sur la touche APA.

L'image projetée est réglée automatiquement pour être la plus claire possible.

Remarques

- Ajustez le signal lorsque l'image fixe est affichée sur l'écran.

- Appuyez sur la touche APA lorsque l'image est affichée intégralement à l'écran. S'il y a des bords noirs autour de l'image, la fonction APA ne sera pas opérante correctement et l'image risque de déborder de l'écran.
- Si vous commutez le signal d'entrée ou si vous reconnectez un ordinateur, appuyez de nouveau sur la touche APA pour obtenir l'image adéquate.
- "REGLAGE" apparaît sur l'écran. Appuyez de nouveau sur la touche APA durant le réglage pour restaurer l'écran original.
- "Effectué!" apparaît sur l'écran lorsque l'image est correctement réglée. Suivant le type de signal d'entrée, il se peut que l'image ne soit pas correctement réglée.
- Réglez les paramètres du menu REGL ENTREE lorsque vous réglez l'image manuellement.
Pour plus de détails, voir page 22 (FR).

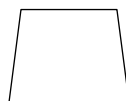
Pour régler le trapèze

Lorsque l'image projetée est un trapèze, modifiez la position/hauteur du projecteur en déplaçant les dispositifs de réglage.

Pour plus de détails sur la façon d'utiliser les dispositifs de réglage, voir page 8 (FR).

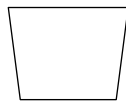
Si l'image présente toujours une forme trapézoïdale, corrigez-la dans TRAPEZE NUMER du menu REGL. INSTAL.

Lorsque le bord de base est plus long que le bord supérieur, comme le montre l'illustration ci-dessous:



Mettez la valeur sur négatif.

Lorsque le bord supérieur est plus long que le bord de base, comme le montre l'illustration ci-dessous:



Mettez la valeur sur positif.

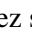
Pour plus de détails sur "TRAPEZE NUMER", voir page 26 (FR).


Pour mettre le projecteur hors tension

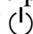
- 1 Appuyez sur la touche I / .

“METTRE HORS TENSION?” apparaît à l’écran.

Remarque


Le message disparaît si vous appuyez sur une touche quelconque à l’exception de la touche I / , ou si vous n’appuyez sur aucune touche pendant cinq secondes.

- 2 Appuyez sur la touche I / .

L’indicateur ON/STANDBY clignote en vert et le ventilateur de refroidissement continue de tourner pendant environ 120 secondes pour réduire la chaleur interne. L’indicateur ON/STANDBY clignote rapidement pendant les 40 premières secondes. Pendant cette durée, vous ne pouvez pas remettre le projecteur sous tension à l’aide de la touche I / .

- 3 Débranchez le câble d’alimentation de la prise murale après que le ventilateur s’est arrêté de tourner et l’indicateur ON/STANDBY s’allume en rouge.

Si vous ne pouvez pas confirmer le message à l’écran

Lorsque vous ne pouvez pas confirmer le message sur écran dans certaines conditions, vous pouvez éteindre l’appareil en appuyant sur la touche I /  pendant environ une seconde.

Remarque

Ne débranchez pas le câble d’alimentation pendant que le ventilateur tourne, faute de quoi le ventilateur cessera de tourner même si la température interne est toujours élevée, ce qui peut entraîner une panne du projecteur.

Sur le nettoyage du filtre à air

Nettoyez le filtre à air toutes les 300 heures afin d’assurer des performances optimales.

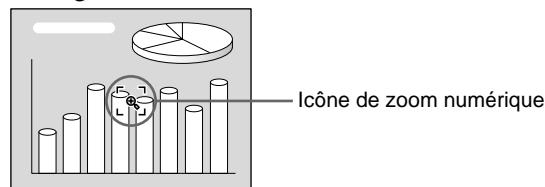
Outils nécessaires pour votre présentation

Pour agrandir l’image (fonction de zoom numérique)

Vous pouvez sélectionner un point de l’image à agrandir.

- 1 Appuyez sur la touche D ZOOM + de la télécommande.

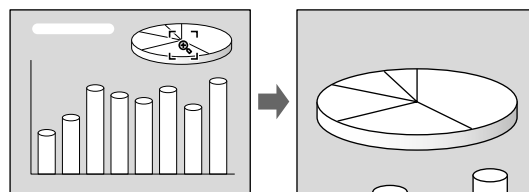
L’icône de zoom numérique apparaît au centre de l’image.



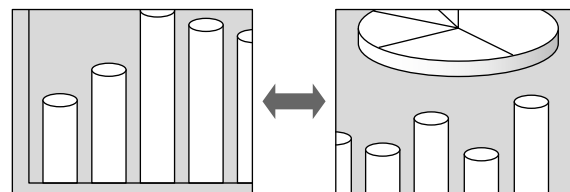
- 2 Déplacez l’icône vers le point de l’image que vous désirez agrandir. Utilisez les touches fléchées (↑/↓/←/→) pour déplacer l’icône.

- 3 Appuyez de nouveau sur la touche D ZOOM +.

L’image où se trouve l’icône est agrandie. En appuyant plusieurs fois sur la touche +, la taille de l’image augmente. (taux d’agrandissement: max. 4 fois)



Utilisez les touches fléchées (↑/↓/←/→) pour faire défiler les images agrandies.



Pour ramener l’image à ses dimensions d’origine

Appuyez sur la touche D ZOOM – de la télécommande.

Pour utiliser la fonction de pointeur laser

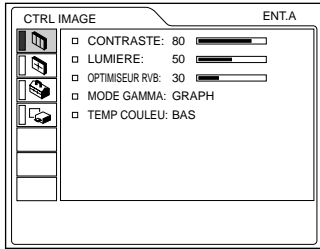
Appuyez sur la touche LASER de la télécommande. Le pointeur laser apparaît. Le pointeur est utile pour indiquer un point particulier sur l’écran.

Utilisation du MENU

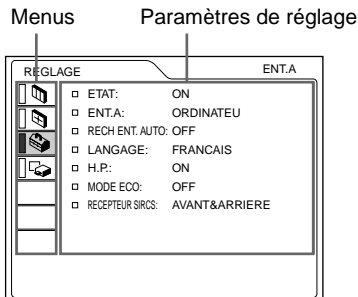
Ce projecteur est doté d'une fonction d'écran de menu permettant de réaliser différents ajustements et réglages.

Pour sélectionner la langue d'affichage du menu, voir page 25 (FR).

- Appuyez sur la touche MENU.
L'écran de menu apparaît.
La barre de l'icône du menu actuellement sélectionné est mis en évidence en jaune.



- Utilisez la touche ↑ ou ↓ pour sélectionner un menu et appuyez ensuite sur la touche → ou ENTER.
Le menu sélectionné apparaît.



- Procédez au réglage ou à l'ajustement d'un paramètre.
Pour plus de détails sur le réglage des différents paramètres, reportez-vous aux pages de menu correspondantes.

Pour désactiver l'écran de menu

Appuyez sur la touche MENU.
L'écran de menu disparaît automatiquement si vous n'appuyez sur aucune touche pendant une minute.

Pour restaurer des paramètres modifiés

Appuyez sur la touche RESET.
Le message "Effectué!" (terminé) apparaît sur l'écran et les réglages affichés sont restaurés à leur valeur par défaut.

Les paramètres pouvant être réinitialisés sont :

- "CONTRASTE", "LUMIERE", "COULEUR", "TEINTE", "NETTETE" et "OPTIMISEUR RVB" du menu CTRL IMAGE.
- "PHASE", "AMPL H" et "DEPL." dans le menu REGL ENTREE.

A propos de la mémoire des réglages

Les réglages sont automatiquement enregistrés dans la mémoire du projecteur.

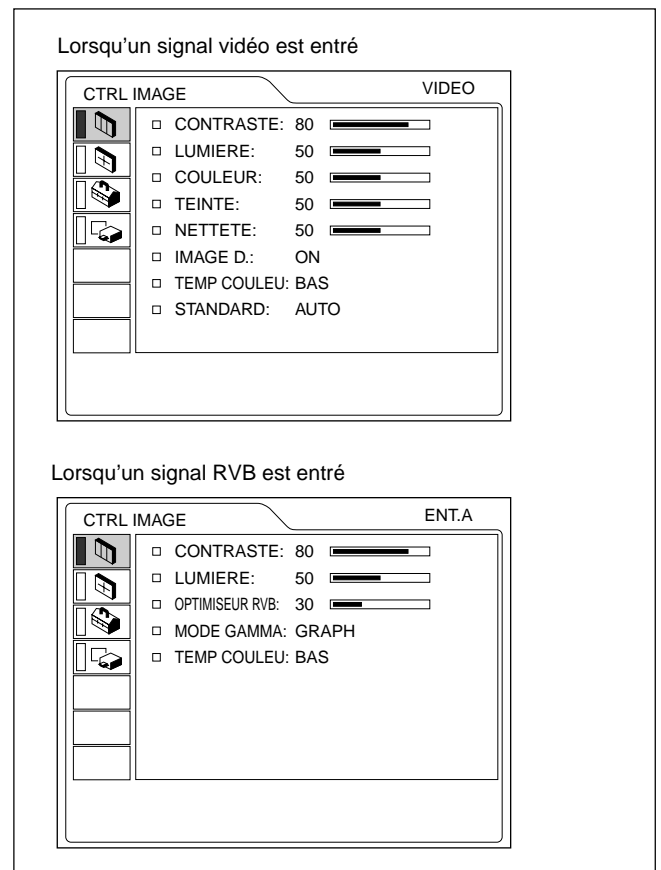
Si aucun signal n'est entré

Lorsqu'il n'y a pas de signal d'entrée, le message "PAS D'ENTREE-Reglage impossible." apparaît à l'écran et aucun paramètre ne peut être ajusté.

Le menu CTRL IMAGE

Le menu CTRL (contrôle) IMAGE sert à régler l'image.

Les paramètres non réglables suivant le signal d'entrée ne sont pas affichés dans le menu.



Opération

1. Sélectionnez un paramètre

Utilisez la touche **↑** ou **↓** pour sélectionner un menu et appuyez ensuite sur la touche **→** ou ENTER.

2. Ajustez le paramètre

- Pour changer le niveau de réglage :
Pour augmenter la valeur, appuyez sur la touche **↑** ou **→**.
Pour diminuer la valeur, appuyez sur la touche **↓** ou **←**.
Appuyer sur la touche ENTER pour revenir à l'écran de départ.
- Pour modifier le réglage :
Appuyez sur la touche **↑** ou **↓** pour changer la valeur de réglage.
Appuyez sur la touche ENTER ou **←** pour revenir à l'écran de départ.

CONTRASTE

Ajuste le contraste de l'image.
Plus la valeur de réglage est élevée, plus le contraste est important.
Plus la valeur de réglage est faible, plus le contraste est faible.

LUMIERE

Ajuste la luminosité de l'image.
Plus la valeur de réglage est élevée, plus l'image est lumineuse.
Plus la valeur de réglage est faible, plus l'image est foncée.

COULEUR

Ajuste l'intensité des couleurs.
Plus la valeur de réglage est élevée, plus les couleurs sont intenses.
Plus la valeur de réglage est faible, plus l'intensité des couleurs est faible.

TEINTE

Ajuste la teinte des couleurs.
Plus la valeur de réglage est élevée, plus l'image prend une teinte verdâtre.
Plus la valeur de réglage est faible, plus l'image prend une teinte rougeâtre.

NETTETE

Ajuste la netteté de l'image.
Plus la valeur de réglage est élevée, plus l'image est nette.
Plus la valeur de réglage est faible, plus les contours de l'image sont adoucis.

OPTIMISEUR RVB

Ajuste la netteté de l'image lorsque des signaux RVB sont entrés.
Plus la valeur de réglage est élevée, plus l'image est nette.
Plus la valeur de réglage est faible, plus les contours de l'image sont adoucis.

IMAGE D. (dynamique)

Renforce la couleur noire.
ON: Renforce le noir pour produire une image plus "dynamique".
OFF: Restitue fidèlement les zones noires de l'image conformément au signal source.

MODE GAMMA

Sélectionne une courbe de correction gamma.
GRAPH: Améliore la reproduction des demi-teintes. Les photos peuvent être reproduites avec des teintes naturelles.
TEXTE: Contraste le noir et le blanc. Idéal pour les images qui contiennent énormément de texte.

TEMP COULEU

Réglage de la température des couleurs.
HAUT: Rend les blancs plus bleuâtres.
BAS: Rend les blancs plus rougeâtres.

STANDARD (Système couleur)

Sélectionne le système couleur du signal d'entrée.

AUTO: Sélectionne automatiquement l'un des signaux suivants: NTSC 3.58, PAL, SECAM, NTSC4.43.

PAL-M/N: Sélectionne automatiquement l'un des signaux suivants: PAL-M/PAL-N, NTSC3.58.

En principe, réglez-le sur AUTO.

Si l'image présente des distorsions ou n'a pas de couleurs, sélectionnez le système couleur en fonction du signal d'entrée.

Signaux d'entrée et paramètres de réglage/ajustables

Paramètre	Signal d'entrée				
	Vidéo ou S vidéo (Y/C)	Composant	HDTV	RVB ¹⁾	N&B
CONTRASTE	●	●	●	●	●
LUMIERE	●	●	●	●	●
COULEUR	●	●	●	-	-
TEINTE	● <small>(NTSC3.58/ 4.43 uniquement)</small>	●	●	-	-
NETTETE	●	●	●	-	●
OPTIMISEUR RVB	-	-	-	●	-
IMAGE D.	●	● <small>(15k 60/50 uniquement)</small>	-	-	●
MODE GAMMA	-	-	-	●	-
TEMP COULEU	●	●	●	●	●
STANDARD	●	-	-	-	●

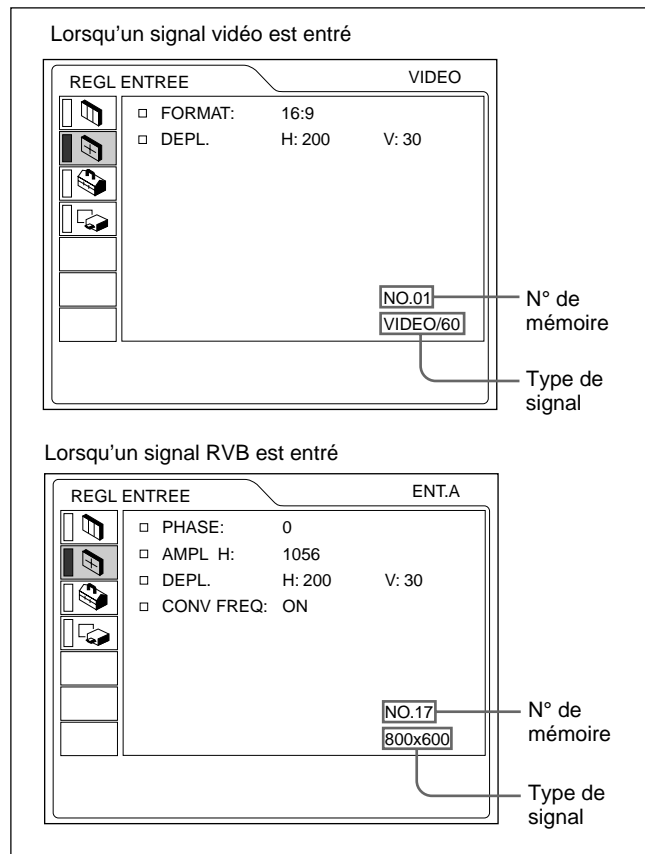
● : Ajustable/peut être réglé

- : Non ajustable/ne peut être réglé

Le menu REGL ENTREE

Le menu REGL ENTREE sert au réglage du signal d'entrée.

Les paramètres non réglables suivant le signal d'entrée ne sont pas affichés dans le menu.



Opération

1. Sélectionnez un paramètre

Utilisez la touche **↑** ou **↓** pour sélectionner un paramètre et appuyez ensuite sur la touche **→** ou ENTER.

2. Ajustez le paramètre

- Pour changer le niveau de réglage :
 Pour augmenter la valeur, appuyez sur la touche **↑** ou **→**.
 Pour diminuer la valeur, appuyez sur la touche **↓** ou **←**.
 Appuyez sur la touche ENTER pour revenir à l'écran de départ.
- Pour modifier le réglage :
 Appuyez sur la touche **↑** ou **↓** pour changer la valeur de réglage.
 Appuyez sur la touche ENTER ou **←** pour revenir à l'écran de départ.

1) Les signaux RVB d'un ordinateur

PHASE

Réglage de la phase des points du panneau LCD et du signal entré via le connecteur INPUT A/B. Ajuste l'image encore plus finement après qu'elle a été réglée en appuyant sur la touche APA.

Ajuste l'image pour qu'elle apparaisse plus nette.

AMPL H

Réglage de la taille horizontale de l'image entrée via les connecteurs INPUT A/B.

Plus la valeur de réglage est élevée, plus la taille horizontale de l'image est grande.

Plus la valeur de réglage est basse, plus la taille horizontale de l'image est faible. Ajuste le réglage en fonction des points du signal d'entrée. Pour plus de détails sur la valeur adéquate pour les signaux présélectionnés, voir page 24 (FR).

DEPL.

Ajuste la position de l'image entrée par les connecteurs INPUT A/B ou les prises VIDEO IN.

H règle la position horizontale de l'image.

V règle la position verticale de l'image.

Plus la valeur de H augmente, plus l'image se déplace vers la droite, et plus elle diminue, plus l'image se déplace vers la gauche.

Plus la valeur de V augmente, plus l'image se déplace vers le haut, et plus elle diminue, plus l'image se déplace vers le bas.

Utilisez les touches ← et → pour ajuster la position horizontale et les touches ↑ et ↓ pour la position verticale.

FORMAT

Réglage du format de l'image.

Si vous entrez un signal 16:9 (comprimé) au départ d'un appareil comme un lecteur DVD, sélectionnez 16:9.

4:3 : Lorsqu'une image de rapport d'écran 4:3 est entrée.

16:9 : Lorsqu'une image de rapport d'écran 16:9 (comprimé) est entrée.

CONV FREQ (convertisseur de balayage)

Convertit le signal pour afficher l'image en fonction de la taille de l'écran.

ON: Affiche l'image en fonction de la taille de l'écran. L'image perd cependant un peu de clarté.

OFF: Affiche l'image en faisant correspondre un pixel d'élément d'image entré à un pixel de l'écran LCD. L'image affichée est claire, mais d'une taille inférieure.

Remarque

Lorsqu'un signal XGA ou SXGA est entré, ce paramètre n'est pas affiché.

Signaux d'entrée et paramètres de réglage/ajustables

Paramètre	Signal d'entrée				
	Vidéo ou S vidéo (Y/C)	RVB 15k/à composantes	HDTV	RVB ¹⁾	N&B
PHASE	–	–	●	●	–
AMPL H	–	–	●	●	–
DEPL.	●	●	●	●	●
FORMAT	●	●	–	–	●
CONV FREQ	–	–	–	● (inférieur à SVGA uniquement)	–

● : Ajustable/peut être réglé

– : Non ajustable/ne peut être réglé

Apropos du n° de mémoire présélectionné

Ce projecteur est doté de 44 types de données présélectionnées pour les signaux d'entrée (la mémoire de présélection). Le numéro de mémoire du signal d'entrée en cours et le type de signal sont affichés lorsque le signal de présélection est entré. Ce projecteur détecte automatiquement le type du signal. Lorsque le signal est enregistré dans la mémoire de présélection, une image adéquate s'affiche à l'écran en fonction du type de signal. Vous pouvez ajuster l'image à l'aide du menu REGL ENTREE.

Ce projecteur est également doté de 20 types de mémoires utilisateur pour chaque ENT. A/B.

Lorsqu'un signal non présélectionné est entré pour la première fois, le numéro de mémoire s'affiche comme étant 0. Si le signal d'entrée est ajusté dans le menu REGL ENTREE, le réglage du signal entré via ENT. A/B est enregistré. Lorsque plus de 20 mémoires utilisateur ont été enregistrées pour chaque ENT. A/B, la mémoire la plus récente remplace automatiquement la plus ancienne.

1) Les signaux RVB d'un ordinateur

Signaux présélectionnés

N° de mémoire	Signal présélectionné	fH (kHz)	fV (Hz)	Sync	AMPL H	
1	Vidéo 60 Hz	15,734	59,940	H-nég V-nég		
2	Vidéo 50 Hz	15,625	50,000	H-nég V-nég		
3	RVB 15k/à composantes 60 Hz	15,734	59,940	S sur V/Y		
4	RVB 15k/à composantes 50 Hz	15,625	50,000	ou		
5	HDTV	33,750	60,000	Sync composite		
6	640 × 350	VGA mode 1	31,469	70,086	H-pos V-nég	800
7		VGA VESA ¹⁾ 85 Hz	37,861	85,080	H-pos V-nég	832
8	640 × 400	PC-9801 ²⁾ Normal	24,823	56,416	H-nég V-nég	848
9		VGA mode 2	31,469	70,086	H-nég V-pos	800
10		VGA VESA 85 Hz	37,861	85,080	H-nég V-pos	832
11	640 × 480	VGA mode 3	31,469	59,940	H-nég V-nég	800
12		Macintosh 13"	35,000	66,667	H-nég V-nég	864
13		VGA VESA 72 Hz	37,861	72,809	H-nég V-nég	832
14		VGA VESA 75 Hz	37,500	75,000	H-nég V-nég	840
15		VGA VESA 85 Hz	43,269	85,008	H-nég V-nég	832
16	800 × 600	SVGA VESA 56 Hz	35,156	56,250	H-pos V-pos	1024
17		SVGA VESA 60 Hz	37,879	60,317	H-pos V-pos	1056
18		SVGA VESA 72 Hz	48,077	72,188	H-pos V-pos	1040
19		SVGA VESA 75 Hz	46,875	75,000	H-pos V-pos	1056
20		SVGA VESA 85 Hz	53,674	85,061	H-pos V-pos	1048
21	832 × 624	Macintosh 16"	49,724	74,550	H-nég V-nég	1152
22	1024 × 768	XGA VESA 43 Hz	35,524	43,479	H-pos V-pos	1264
23		XGA VESA 60 Hz	48,363	60,004	H-nég V-nég	1344
24		XGA VESA 70 Hz	56,476	69,955	H-nég V-nég	1328
25		XGA VESA 75 Hz	60,023	75,029	H-pos V-pos	1312
26		XGA VESA 85 Hz	68,677	84,997	H-pos V-pos	1376
27	1152 × 864	SXGA VESA 70 Hz	63,995	70,016	H-pos V-pos	1472
28		SXGA VESA 75 Hz	67,500	75,000	H-pos V-pos	1600
29		SXGA VESA 85 Hz	77,487	85,057	H-pos V-pos	1568
30	1152 × 900	Sunmicro LO	61,795	65,960	H-nég V-nég	1504
31		Sunmicro HI	71,713	76,047	Sync composite	1472
32	1280 × 960	SXGA VESA 60 Hz	60,000	60,000	H-pos V-pos	1800
33		SXGA VESA 75 Hz	75,000	75,000	H-pos V-pos	1728
34	1280 × 1024	SXGA VESA 43 Hz	46,433	43,436	H-pos V-pos	1696
35		SGI-5	53,316	50,062	S sur V	1680
36		SXGA VESA 60 Hz	63,974	60,013	H-pos V-pos	1696
37		SXGA VESA 75 Hz	79,976	75,025	H-pos V-pos	1688
38		SXGA VESA 85 Hz	91,146	85,024	H-pos V-pos	1728
43	PC Composant 480/60P	480/60P (Double fréquence NTSC)	31,470	60,000	S sur V	
44	575/50P	575/50P (Double fréquence PAL)	31,250	50,000	S sur V	
45	1080/50I	1080/50I	28,130	50,000		
46	1080&1152/60	1080/50I-2	31,250	50,000		
47	720/60P	720/60P	45,000	60,000		
48	720/50P	720/50P	37,500	50,000		

Comme les données les données sont rappelées depuis la mémoire de présélection pour les signaux suivants, vous pouvez utiliser ces données présélectionnées en ajustant AMPL H. Effectuez le réglage fin en ajustant DEPL.

Signal	N° de mémoire	AMPL H
Super Mac-2	23	1312
SGL-1	23	1320
Macintosh 19"	25	1328
Macintosh 21"	28	1456
Sony News	36	1708
PC-9821 1280 × 1024	36	1600
WS Sunmicro	37	1664

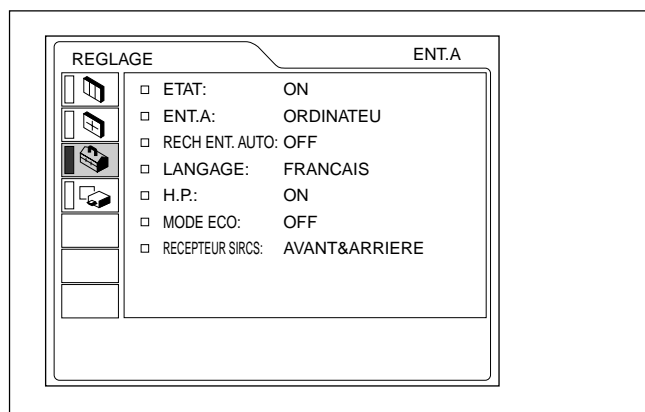
Remarque

Lorsque le rapport d'écran du signal d'entrée est différent de 4:3, une partie de l'écran s'affiche en noir.

- 1) VESA est une marque de fabrique déposée de Video Electronics Standard Association.
2) PC-98 est une marque de fabrique déposée de NEC Corporation.

Le menu REGLAGE

Le menu REGLAGE sert à modifier les réglages du projecteur.



Opération

1. Sélectionnez un paramètre

Utilisez la touche **↑** ou **↓** pour sélectionner un paramètre et appuyez ensuite sur la touche **→** ou ENTER.

2. Changez le réglage

Appuyez sur la touche **↑** ou **↓** pour changer la valeur de réglage.

Pour revenir à l'écran original, appuyez sur la touche ENTER ou **←**.

ETAT (affichage sur écran)

Règle l'affichage sur écran.

ON: Affichage de tous les écrans de menu.

OFF: Désactive les affichages à l'exception des menus, du message d'indication de mise hors tension et des messages d'avertissement.

Pour plus de détails sur les messages d'avertissement, voir page 34 (FR).

ENT. A

Sélectionne le signal d'ordinateur, composant, DTV YPBPr ou DTV GBR entré via le connecteur 5BNC.

Remarque

Si le réglage n'est pas correct, l'indication "Vérifiez réglage ENT. A." apparaît à l'écran et les couleurs de l'image deviennent anormales ou l'image ne s'affiche pas.

RECH ENT. AUTO

Lorsqu'il est réglé sur ON, le projecteur détecte les signaux d'entrée dans l'ordre suivant: ENT. A/ENT. B/VIDEO/S-VIDEO. Il indique le canal d'entrée lorsqu'il est sous tension ou lorsque la touche INPUT est enfoncée.

LANGAGE

Sélectionne la langue d'affichage du menu système et des écrans de menu.

Les langues disponibles sont : anglais, français, allemand, italien, espagnol, japonais et chinois.

H.P.

Réglez-le sur OFF pour couper le son des haut-parleurs internes. Lorsque vous sélectionnez OFF, l'indication "H.P. OFF" apparaît à l'écran lorsque vous mettez le projecteur sous tension.

MODE ECO

Lorsque vous sélectionnez ON, le projecteur passe en mode d'économie d'énergie si aucun signal n'est entré pendant 10 minutes.

RECEPTEUR SIRCS

Sélectionne les capteurs de télécommande (récepteur SIRCS) à l'avant et à l'arrière du projecteur.

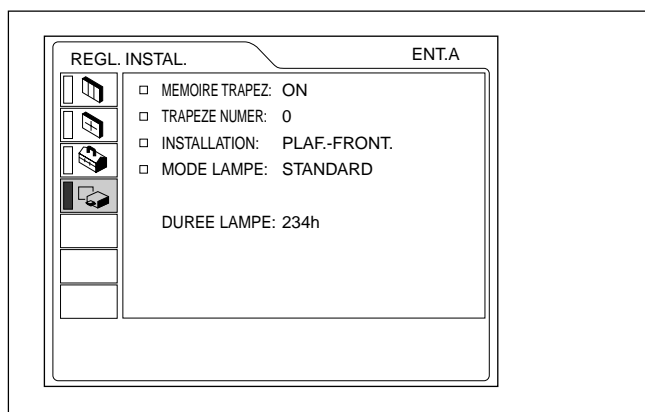
AVANT & ARRIERE: Active les capteurs avant et arrière.

AVANT : Active uniquement le capteur avant.

ARRIERE : Active uniquement le capteur arrière.

Le menu REGL. INSTAL.

Le menu REGL. INSTAL. sert à modifier les réglages du projecteur.



Opération

1. Sélectionnez un paramètre

Utilisez la touche **↑** ou **↓** pour sélectionner un paramètre et appuyez ensuite sur la touche **→** ou ENTER.

2. Ajustez le paramètre

- Pour changer le niveau de réglage :
Pour augmenter la valeur, appuyez sur la touche **↑** ou **→**.
Pour diminuer la valeur, appuyez sur la touche **↓** ou **←**.
Appuyez sur la touche ENTER pour revenir à l'écran de départ.
- Pour modifier le réglage :
Appuyez sur la touche **↑** ou **↓** pour changer le réglage.
Appuyez sur la touche ENTER ou **←** pour revenir à l'écran de départ.

MEMOIRE TRAPEZ

ON: Le réglage TRAPEZE NUMER est conservé.
Les données sont récupérées lorsque le projecteur est mis sous tension. Le réglage restera chaque fois le même.

OFF: TRAPEZE NUMER est remis sur 0 lorsque le projecteur est mis sous tension la fois suivante.

TRAPEZE NUMER

Corrige le trapèze provoqué par l'angle de projection. Si le bord de base est trop long, choisissez une valeur négative; si le bord supérieur est trop long, choisissez une valeur positive pour rendre l'image carrée.

INSTALLATION

Sélectionne l'inversion horizontale ou verticale de l'image.

SOL-FRONTALE: L'image n'est pas inversée.

PLAF.-FRONT.: L'image est inversée horizontalement et verticalement.

SOL-RETRO: L'image est inversée horizontalement.

PLAFOND-RETRO: L'image est inversée verticalement.

Remarque

En cas d'utilisation d'un miroir, veillez aux conditions d'installation puisque l'image peut être inversée.

MODE LAMPE

Règle la luminosité de la lampe en cours de projection.

STANDARD: Claire avec une luminosité normale.

BAS: Réduit le bruit du ventilateur et la consommation électrique.

Comparativement au réglage STANDARD, la luminosité d'une image projetée avec le réglage BAS sera faible.

Si MODE LAMPE est réglée sur BAS, la prochaine fois que le système sera mis sous tension, la lampe fonctionnera suivant le réglage STANDARD pendant la première minute, et passera ensuite sur BAS.

DUREE LAMPE

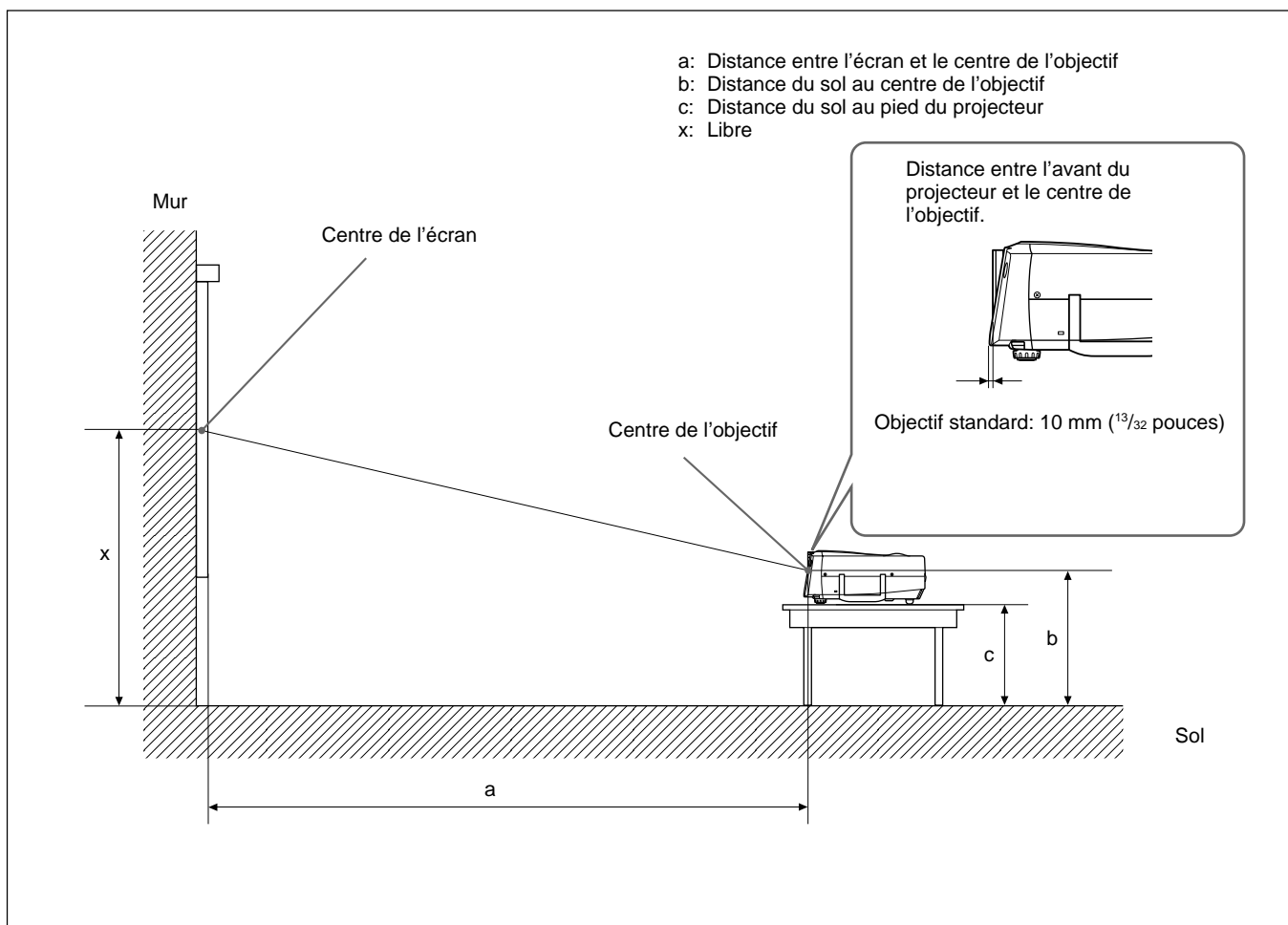
Indique la durée d'activation de la lampe.

Remarque

Seule la durée s'affiche. Vous ne pouvez pas changer l'affichage.

Exemples d'installation

Installation au sol



		Unité: mm (pouces)									
Taille de l'écran (pouces)		40	60	80	100	120	150	180	200	250	300
a	Minimum	1490 (58 $3/4$)	2280 (89 $7/8$)	3060 (120 $1/2$)	3850 (151 $5/8$)	4630 (182 $3/8$)	5810 (228 $7/8$)	6990 (275 $1/4$)	7770 (306)	9740 (383 $5/8$)	11700 (460 $3/4$)
	Maximum	1820 (71 $3/4$)	2780 (109 $1/2$)	3740 (147 $3/8$)	4700 (185 $1/8$)	5660 (222 $7/8$)	7100 (279 $5/8$)	8540 (336 $3/8$)	9500 (374 $1/8$)	11900 (468 $5/8$)	14300 (563 $1/8$)
b		x-305 (12)	x-457 (18)	x-610 (24)	x-762 (30)	x-914 (36)	x-1143 (45)	x-1372 (54)	x-1524 (60)	x-1905 (75 $1/8$)	x-2286 (90 $1/8$)
c		x-394 (15 $5/8$)	x-546 (21 $5/8$)	x-699 (27 $5/8$)	x-851 (33 $5/8$)	x-1003 (39 $5/8$)	x-1232 (48 $5/8$)	x-1461 (57 $5/8$)	x-1613 (63 $5/8$)	x-1994 (78 $5/8$)	x-2375 (93 $5/8$)

Pour calculer les distances d'installation (unité: mm)

SS: diagonale de l'écran (pouces)

$$a \text{ (minimum)} = \{(SS \times 50,18/1,3102) - 75,10104\} \times 1,025$$

$$a \text{ (maximum)} = \{(SS \times 64,518746/1,3102) - 107,8977\} \times 0,975$$

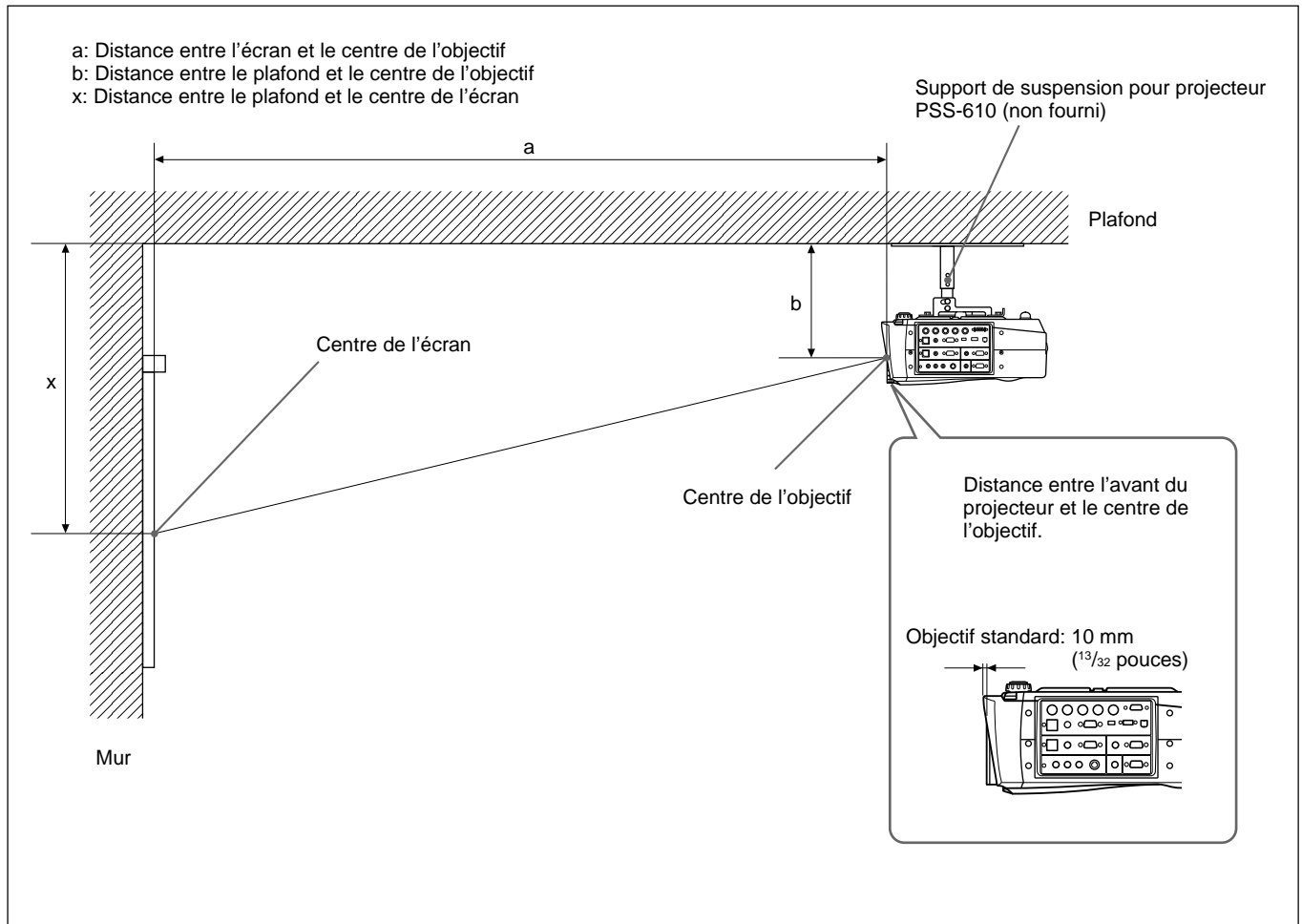
$$b = x - (SS/1,3102 \times 9,984)$$

$$c = x - (SS/1,3102 \times 9,984 + 89)$$

Installation au plafond

Si vous installez le projecteur au plafond, utilisez le support de suspension pour projecteur PSS-610.

Pour une installation au plafond, adressez-vous à un personnel Sony qualifié.



Unité: mm (pouces)

Taille de l'écran (pouces)		80	100	120	150	180	200	250	300
a	Minimum	3060 (120 1/2)	3850 (151 5/8)	4630 (182 3/8)	5810 (228 7/8)	6990 (275 1/4)	7770 (306)	9740 (383 5/8)	11700 (460 3/4)
	Maximum	3740 (147 3/8)	4700 (185 1/8)	5660 (222 7/8)	7100 (279 5/8)	8540 (336 3/8)	9500 (374 1/8)	11900 (468 5/8)	14300 (563 1/8)
x		b+610 (24)	b+762 (30)	b+914 (36)	b+1143 (45)	b+1372 (54)	b+1524 (60)	b+1905 (75 1/8)	b+2286 (90 1/8)
b		231/256/281/331/356/381 mm (9 1/8/10 1/8/11 1/8/13 1/8/14 1/8/15 pouces) réglable si vous utilisez un PSS-610							

Pour calculer les distances d'installation (unité: mm)

SS: diagonale de l'écran (pouces)

$$a \text{ (minimum)} = \{(SS \times 50,18/1,3102) - 75,10104\} \times 1,025$$

$$a \text{ (maximum)} = \{(SS \times 64,518746/1,3102) - 107,8977\} \times 0,975$$

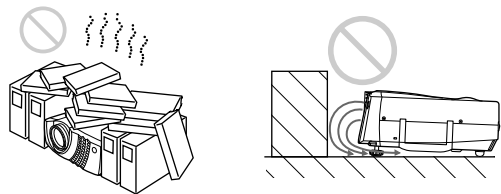
$$x = b + (SS/1,3102 \times 9,984)$$

Remarques concernant l'installation

Installation déconseillée

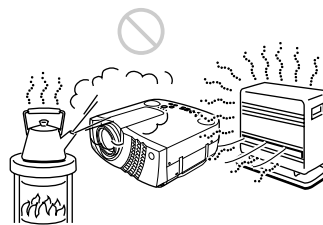
N'installez pas le projecteur dans les conditions suivantes. Ces installations peuvent entraîner un dysfonctionnement ou causer des dommages au projecteur.

Manque de ventilation



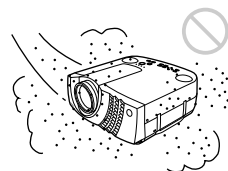
- Assurez une circulation d'air adéquate afin d'éviter toute surchauffe interne. Ne placez pas l'appareil sur des surfaces textiles (tapis, couvertures, etc.) ni à proximité de tissus (rideaux, draperies) qui risquent d'obstruer les orifices de ventilation. Si la température se intérieure augmente à la suite d'une obstruction des orifices de ventilation, le capteur de température se déclenche et le message "Surchauffe! Lampe OFF 1 min." s'affiche. Le projecteur se met alors automatiquement hors tension après une minute.
- Laissez un espace libre de plus de 30 cm (11 7/8 pouces) autour du projecteur.
- Veillez à ce que les orifices de ventilation n'aspirent pas de particules telles que des morceaux de papier.
- Si vous placez quelque chose devant les orifices de ventilation avant, l'air expulsé du projecteur risque d'être aspiré par les orifices de ventilation situés sur le dessous, provoquant ainsi une élévation de la température interne et une activation du circuit de protection. Installez le projecteur de façon à ne pas entraver la sortie d'air.

Exposition à la chaleur et à l'humidité



- N'installez pas l'appareil dans un endroit où la température et l'humidité sont très élevées ou dans un endroit très froid.
- Pour éviter la condensation d'humidité, n'installez pas l'appareil dans un endroit où la température peut augmenter rapidement.

Endroit poussiéreux

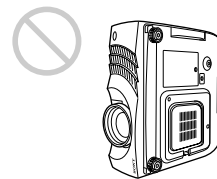


N'installez pas l'appareil dans un endroit très poussiéreux, faute de quoi le filtre à air va s'obstruer. La poussière obstruant le passage de l'air dans le filtre peut entraîner une augmentation de la température intérieure du projecteur. Nettoyez-le régulièrement.

Conditions d'utilisation déconseillées

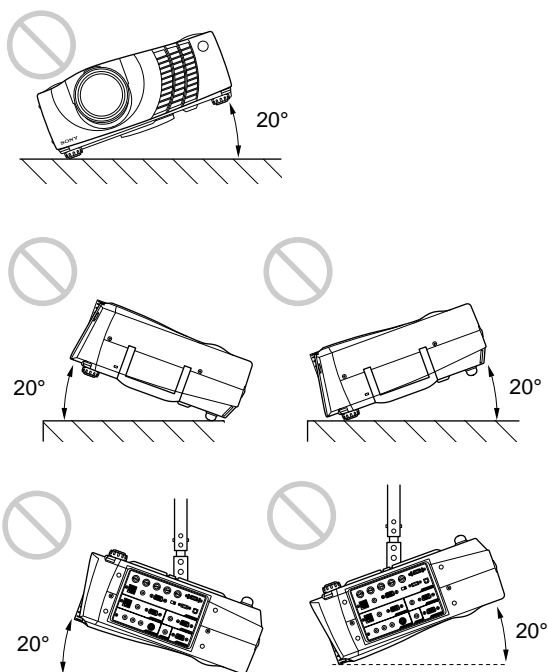
N'effectuez aucune des opérations suivantes.

N'installez pas le projecteur sur son flanc.



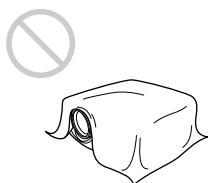
Ne faites pas fonctionner l'appareil lorsqu'il se trouve sur son flanc. Cette position peut entraîner un dysfonctionnement.

Inclinaison vers l'avant/l'arrière et la droite/la gauche



Ne faites pas fonctionner l'appareil lorsqu'il est incliné de plus de 20 degrés. N'installez pas l'appareil ailleurs que sur le sol ou au plafond. Ces positions d'installation peuvent provoquer un dysfonctionnement.

N'obstruez pas les orifices de ventilation



Ne recouvrez pas les orifices de ventilation du projecteur, faute de quoi une surchauffe interne risque de se produire.

Entretien

Remarques

- Si la lampe se brise, consultez le personnel Sony qualifié.
- Extrayez la lampe par la poignée. Si vous touchez le module de lampe, vous risquez de vous brûler ou de vous blesser.
- Pour retirer le module de lampe, maintenez-le bien à l'horizontale et tirez perpendiculairement. N'inclinez pas le module de lampe. Si vous extrayez le module de lampe en l'inclinant et si la lampe se brise, il se peut que vous vous blessiez avec les éclats.

Remplacement de la lampe

Lorsqu'il est temps de remplacer la lampe, ne tardez pas à la remplacer par une lampe pour projecteur LMP-P201.

La lampe atteint la fin de sa durée de vie utile au bout d'environ 1500 heures sur le réglage STANDARD ou d'environ 3000 heures sur le réglage BAS du MODE LAMPE.

Lorsque le moment est venu de remplacer la lampe, le message "Remplacer la lampe." s'affiche.

Remplacement de la lampe après avoir utilisé le projecteur

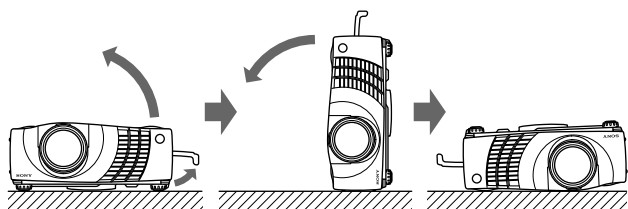
Mettez le projecteur hors tension et débranchez ensuite le câble d'alimentation.

Attendez au moins une heure que la lampe ait refroidi.

Remarque

La lampe est encore brûlante après que vous avez mis le projecteur hors tension à l'aide de la touche I / ⏻. Si vous touchez la lampe, vous risquez de vous brûler les doigts. Lorsque vous voulez remplacer la lampe, attendez au moins une heure qu'elle ait refroidi.

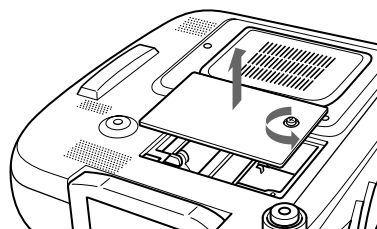
- 1 Placez une feuille de protection (chiffon) sous le projecteur. Saisissez le projecteur par la poignée et tournez le projecteur vers le panneau de commande comme illustré ci-dessous.



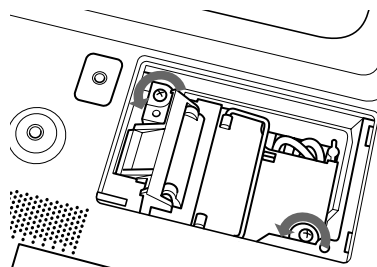
Remarque

Pour remplacer la lampe, placez le projecteur sur une surface plane et stable.

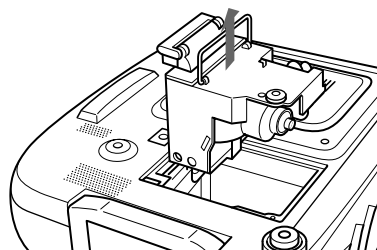
- 2 Ouvrez le couvercle de la lampe en desserrant une vis à l'aide du tournevis Philips (fourni avec la lampe pour projecteur LMP-P201).



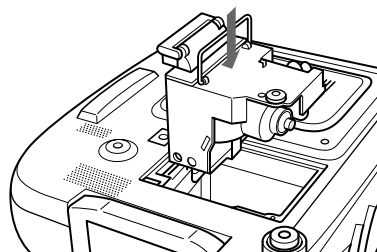
- 3 Desserrez deux vis du module de lampe avec le tournevis Philips.



- 4 Tout en maintenant la poignée et en gardant la lampe à l'horizontale, tirez perpendiculairement.



- 5 Insérez la nouvelle lampe jusqu'à ce qu'elle se mette en place. Serrez les vis. Repliez la poignée.



Remarques

- Ne touchez pas la surface en verre de la lampe.
- Le projecteur ne se met pas sous tension tant que la lampe n'est pas correctement fixée.

- 6 Refermez le couvercle de la lampe et serrez la vis.
- 7 Remettez le projecteur à l'endroit.
- 8 Branchez le câble d'alimentation et activez le projecteur en mode de veille.
- 9 Appuyez, dans l'ordre, sur les touches suivantes du panneau de commande pendant moins de cinq secondes : RESET, ←, →, ENTER.

Remarques

- Utilisez une lampe pour projecteur LMP-P201 pour le remplacement. Si vous utilisez une autre lampe qu'une LMP-P201, le projecteur risque de présenter un dysfonctionnement.
- N'oubliez pas de mettre le projecteur hors tension et de débrancher le câble d'alimentation avant de remplacer la lampe.
- N'introduisez pas les doigts dans le logement du module de lampe et veillez à ce qu'aucun objet ou liquide ne pénètre à l'intérieur afin d'éviter tout risque d'incendie ou de décharge électrique.

Élimination de la lampe pour projecteur usagée

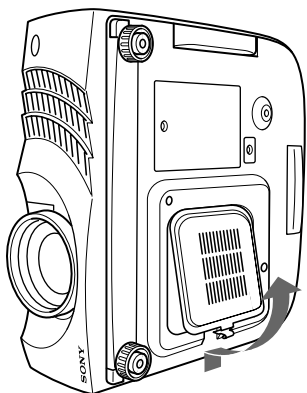
Étant donné que les matériaux utilisés dans cette lampe sont similaires à ceux d'une lampe fluorescente, vous devez éliminer les lampes pour projecteur usagées de la même manière que les lampes fluorescentes.

Nettoyage du filtre à air

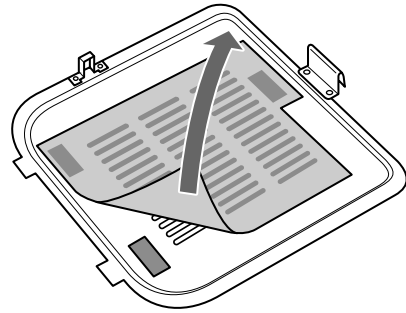
Le filtre à air doit être nettoyé toutes les 300 heures. Quand il devient difficile d'éliminer la poussière du filtre, remplacez le filtre.

Pour nettoyer le filtre à air, appliquez la procédure suivante :

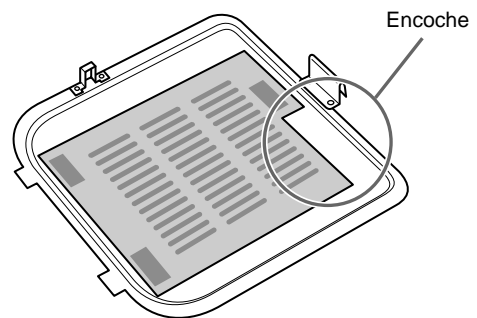
- 1 Mettez le projecteur hors tension et débranchez le câble d'alimentation.
- 2 Otez le couvercle du filtre à air tout en maintenant enfoncé le bouton du couvercle de filtre à air sur le couvercle du filtre à air.



- 3 Décollez le filtre à air. (Le filtre à air est fixé au moyen d'une bande Velcro (3).)



- 4 Dépoussiérez le filtre à air au moyen d'un aspirateur.
- 5 Installez le filtre à air comme illustré dans la figure. Installez le couvercle du filtre à air sur le projecteur.



Remarques

- En plaçant simplement le filtre à air sur les bandes velcro, le filtre à air ne sera pas verrouillé en place. Lors de la mise en place du filtre à air, placez-le sur le couvercle du filtre à air, fixez-le en appuyant fermement sur les bandes velcro. Assurez-vous que le filtre à air n'est pas plié.
- Placez correctement le filtre à air (tendu) dans le couvercle du filtre à air. Si le filtre n'est pas tendu, il risque de ne pas fonctionner correctement.
- Si le filtre à air est excessivement souillé, lavez-le avec une solution détergente neutre et séchez-le à l'ombre. S'il n'est pas possible d'éliminer la poussière du filtre à air, remplacez-le par le filtre de réserve fourni.
- Le filtre à air comporte un côté avant et un côté arrière. Veillez à installer le filtre à air dans le bon sens. Vérifiez l'encoche sur le filtre comme illustré dans le schéma ci-dessus et installez-le correctement.
- Montez correctement le couvercle du filtre à air, car le projecteur ne se mettra pas sous tension si le couvercle n'est pas correctement fixé.

Dépannage

Si vous rencontrez un problème en cours d'utilisation, appuyez sur la touche HELP pour afficher les messages d'aide.

Vous pouvez obtenir les messages d'aide suivants :

- Image: Un menu ne s'affiche pas. Les couleurs ne sont pas correctes.
- Son : Le son n'est pas correctement diffusé.
- Autre : L'indicateur s'allume/clignote.

Si vous avez toujours des problèmes après avoir consulté les messages d'aide, parcourez les instructions ci-dessous. Si le problème persiste, prenez contact avec votre revendeur Sony.

Alimentation

Symptôme	Cause	Remède
Le projecteur ne se met pas sous tension.	Le projecteur a été mis hors et sous tension à bref intervalle à l'aide de la touche I / ⏻.	Attendez environ 120 secondes avant de mettre le projecteur sous tension (voir page 17 (FR)).
	Le couvercle de la lampe est mal fixé.	Refermez correctement le couvercle de la lampe (voir page 31 (FR)).
	Le couvercle du filtre à air s'est enlevé.	Refermez correctement le couvercle du filtre à air (voir page 32 (FR)).

Image

Symptôme	Cause	Remède
Pas d'image	Le câble est mal branché ou débranché.	Vérifiez si les raccordements ont correctement été effectués (voir pages 13 (FR) à 16 (FR)).
	La sélection d'entrée est incorrecte.	Sélectionnez correctement la source d'entrée à l'aide de la touche INPUT (voir pages 17 et 18 (FR)).
	L'image a été coupé.	Appuyez sur la touche PIC MUTING pour désactiver la fonction de suppression (voir page 18 (FR)).
	Le signal de l'ordinateur n'est pas transmis vers le moniteur externe.	Transmettez le signal de l'ordinateur vers le moniteur externe (voir page 13 (FR)).
	Le signal de l'ordinateur est à la fois transmis vers l'écran LCD de l'ordinateur et le moniteur externe.	Transmettez le signal de l'ordinateur uniquement vers le moniteur externe (voir page 13 (FR)).
L'image comporte des parasites.	Il se peut que du bruit apparaisse en fonction de la combinaison du nombre de points entré par le connecteur et du nombre de pixels sur le panneau LCD.	Changez le papier peint du bureau sur l'ordinateur connecté.
Les écrans de menu ne s'affichent pas.	Le paramètre ETAT est réglé sur OFF dans le menu REGLAGE.	Réglez ETAT sur ON dans le menu REGLAGE (voir page 25 (FR)).

Son

Symptôme	Cause	Remède
Pas de son	Le câble est mal branché ou débranché.	Vérifiez si les raccordements ont correctement été effectués (voir pages 13 (FR) à 16 (FR)).
	Le son a été coupé.	Appuyez sur la touche AUDIO MUTING pour désactiver la fonction de suppression (voir page 18 (FR)).
Lors de l'entrée de son par la prise AUDIO, le son ne passe que par un canal uniquement.	Le son monaural entre par la prise AUDIO.	Entrez un son stéréo.

Divers

Symptôme	Cause	Remède
L'indicateur LAMP/COVER clignote.	Le couvercle de la lampe ou le couvercle du filtre à air est mal fixé.	Fixez correctement le couvercle (voir pages 31 (FR) et 32 (FR)).
L'indicateur LAMP/COVER s'allume.	La lampe a atteint la fin de sa durée de vie utile.	Remplacez la lampe (voir page 31 (FR)).
	La lampe a atteint une température élevée.	Attendez 120 secondes que la lampe ait refroidi et remettez le projecteur sous tension (voir page 17 (FR)).
L'indicateur TEMP/FAN clignote.	Le ventilateur est défectueux.	Consultez le personnel qualifié Sony.
L'indicateur TEMP/FAN s'allume.	La température intérieure est anormalement élevée.	Vérifiez si les orifices de ventilation ne sont pas obstrués.
Les indicateurs LAMP/COVER et TEMP/FAN s'allument.	Défaillance du circuit électrique.	Consultez le personnel qualifié Sony.

Messages d'avertissement

Consultez la liste ci-dessous pour connaître la signification des messages affichés à l'écran.

Message	Signification	Remède
Surchauffe! Lampe OFF 1 min.	La température interne est excessive.	Mettez le projecteur hors tension. Vérifiez si les orifices de ventilation ne sont pas obstrués.
Fréquence est hors limites!	Ce signal d'entrée ne peut être projeté car la fréquence est en-dehors de la plage compatible avec ce projecteur.	Entrez un signal dans la plage de fréquences compatible avec ce projecteur.
	Le réglage de la définition du signal de sortie de l'ordinateur est trop élevé.	Régalez la sortie sur XGA (voir page 13 (FR)).
Vérifiez réglage ENT. A.	Vous avez entré un signal RVB depuis l'ordinateur alors que ENT. A dans le menu REGLAGE est réglé sur COMPOSANT, DTV YPbPr ou DTV GBR.	Régalez correctement ENT. A (voir page 25 (FR)).
Remplacer la lampe.	Le moment est venu de remplacer la lampe.	Remplacez la lampe.

Messages de mise en garde

Consultez la liste ci-dessous pour connaître la signification des messages affichés à l'écran.

Message	Signification	Remède
PAS D'ENTREE	Pas de signal d'entrée	Vérifiez les connexions (voir pages 13 (FR) à 16 (FR)).
Non applicable!	Vous avez appuyé sur une touche incorrecte.	Appuyez sur la touche appropriée.
H.P. OFF	Le paramètre H.P. est réglé sur OFF dans le menu REGLAGE.	Régalez H.P. sur ON, si nécessaire (voir page 25 (FR)).

Spécifications

Caractéristiques optiques

Système de projection	Système de projection à 3 panneaux LCD, 1 objectif
Panneau LCD	VPL-PX21: panneau LCD TFT SONY de 1,3 pouces VPL-PX31: Panneau LCD TFT Sony 1,3 pouces à microlentille, 2.359.296 pixels (1024 × 768 pixels × 3)
Objectif	Zoom 1,3× approx. f 50,8 à 64,0 mm/F 1,7 to 2,0
Lampe	200 W UHP
Dimensions de l'image projetée	Plage : 40 à 300 pouces (mesurés en diagonale)
Rendement lumineux	VPL-PX21: ANSI lumen ¹⁾ 1800 lm VPL-PX31: ANSI lumen ¹⁾ 2800 lm
Distance de projection	40 pouces: 1490 à 1820 mm (58 3/4 à 71 3/4 pouces) 60 pouces: 2280 à 2780 mm (89 7/8 à 109 1/2 pouces) 80 pouces: 3060 à 3740 mm (120 1/2 à 147 3/8 pouces) 100 pouces: 3850 à 4700 mm (151 5/8 à 185 1/8 pouces) 120 pouces: 4630 à 5660 mm (182 3/8 à 222 7/8 pouces) 150 pouces: 5810 à 7100 mm (228 7/8 à 279 5/8 pouces) 180 pouces: 6990 à 8540 mm (275 1/4 à 336 3/8 pouces) 200 pouces: 7770 à 9500 mm (306 à 374 1/8 pouces) 250 pouces: 9740 à 11900 mm (383 5/8 à 468 5/8 pouces) 300 pouces: 11700 à 14300 mm (460 3/4 à 563 1/8 pouces)

Caractéristiques électriques

Système couleur	Système NTSC _{3.58} /PAL/SECAM/NTSC _{4.43} /PAL-M/PAL-N, à commutation automatique/manuelle
Résolution	750 lignes TV horizontales (entrée vidéo) 1024 × 768 pixels (entrée RVB)
Signaux d'ordinateur acceptables	fH: 15 à 91 kHz fV: 43 à 85 Hz

Haut-parleur	Système à 3 haut-parleurs à large bande de fréquence, Graves : 65 mm (2 5/8 pouces) de diamètre, max. 3 W Aigus : 45 mm (1 3/16 pouces) de diamètre, max. 1 W × 2 (stéréo)
--------------	--

Entrées/sorties

Entrée audio/vidéo	VIDEO: type phono Vidéo composite : 1 Vp-p ±2 dB sync négative (terminaison à 75 ohms) S VIDEO: Y/C miniconnecteur DIN à 4 broches (mâle) Y (luminance): 1 Vp-p ±2 dB sync négative (terminaison à 75 ohms) C (chrominance): salve 0,286 Vp-p ±2 dB (NTSC) (terminaison à 75 ohms), salve 0,3 Vp-p ±2 dB (PAL) (terminaison à 75 ohms) AUDIO: Type phono × 2 500 mVrms, impédance plus de 47 kilohms
INPUT A	HD D-sub à 15 broches (femelle)/5BNC (femelle)/ Interface numérique commutée RVB analogique :HD D-sub à 15 broches (femelle) R: 0,7 Vp-p ±2 dB (terminaison à 75 ohms) V : 0,7 Vp-p ±2 dB (terminaison à 75 ohms) V avec sync: 1 Vp-p ±2 dB sync négative (terminaison à 75 ohms) B: 0,7 Vp-p ±2 dB (terminaison à 75 ohms) SYNC/HD: Entrée sync composite : 1-5 Vp-p haute impédance, positive/négative Entrée sync horizontale : 1-5 Vp-p haute impédance, positive/négative VD: Entrée sync verticale : 1-5 Vp-p haute impédance, positive/négative RVB analogique/composante: 5BNC (femelle) R/R-Y: 0,7 Vp-p ±2 dB (terminaison à 75 ohms)

(suite page suivante)

1) ANSI lumen est une méthode de mesure de American National Standard IT 7.228.

V : 0,7 Vp-p ± 2 dB (terminaison à 75 ohms)
 V avec sync/Y: 1 Vp-p (2 dB sync négative (terminaison à 75 ohms)
 B/B-Y: 0,7 Vp-p ± 2 dB (terminaison à 75 ohms)
 SYNC/HD:
 Entrée sync composite : 1-5 Vp-p haute impédance, positive/négative
 Entrée sync horizontale : 1-5 Vp-p haute impédance, positive/négative
 VD:
 Entrée sync verticale : 1-5 Vp-p haute impédance, positive/négative
DIGITAL RGB: DFP à 20 broches (TMDS)
USB HUB: Amont (type B: femelle) $\times 1$, Aval (type A: femelle) $\times 1$
MOUSE (sortie): 13 broches (femelle)
(Pour plus de détails, voir "Assignment des broches" à la page 37 (FR).)
AUDIO: Miniprise stéréo 500 mVrms, impédance plus de 47 kilohms

INPUT B

RVB analogique: HD D-sub à 15 broches (femelle)
 R: 0,7 Vp-p ± 2 dB (terminaison à 75 ohms)
 V : 0,7 Vp-p ± 2 dB (terminaison à 75 ohms)
 V avec sync: 1 Vp-p ± 2 dB sync négative (terminaison à 75 ohms)
 B: 0,7 Vp-p ± 2 dB (terminaison à 75 ohms)
 SYNC/HD:
 Entrée sync composite : 1-5 Vp-p haute impédance, positive/négative
 Entrée sync horizontale : 1-5 Vp-p haute impédance, positive/négative
 VD:
 Entrée sync verticale : 1-5 Vp-p haute impédance, positive/négative
MOUSE (sortie): 13 broches (femelle)
(Pour plus de détails, voir "Assignment des broches" à la page 37 (FR).)
AUDIO: Miniprise stéréo 500 mVrms, impédance plus de 47 kilohms

OUTPUT

MONITOR OUT: HD D-sub à 15 broches (femelle)
 R/R-Y,G/Y,B/B-Y: Unité de gain, 75 ohms
 SYNC/HD,VD: 4Vp-p (ouvert), 1Vp-p (75 ohms)
 * Les signaux DIGITAL RGB ne sont pas sortis via la borne MONITOR OUT.
AUDIO OUT (sortie variable): Miniprise stéréo max. 1 Vrms, avec un signal d'entrée de 500 mVrms, impédance inférieure à 5 kilohms

REMOTE

RS-232C: D-sub à 9 broches (femelle)

CONTROL S IN/PLUG IN POWER

Miniprise stéréo 5Vp-p, auto-alimenté, 5 V CC

Réglementation de sécurité:
 UL1950, cUL1950, DHHS (Laser), DNHW (Laser), FCC Classe A, IC Classe A, EN60 950 (NEMKO), CE, C-Tick, EN60 825-1 (Laser), VCCI Classe B, JEIDA

Faisceau laser

Type de laser Classe 2
 Longueur d'onde 645 nm
 Puissance de sortie 1 mW

Caractéristiques générales

Dimensions 339 \times 142 \times 335 mm (13 ³/₈ \times 5 ⁵/₈ \times 13 ¹/₄ pouces) (l/h/p)
 Masse Approx. 7,2 kg (15 lb 14 oz)
 Puissance de raccordement
 100 à 240 V CA, 50/60 Hz
 Consommation électrique
 Max. 290 W (mode de veille: 5 W)
 Dissipation de la chaleur
 989,6 BTU
 Température de service
 0 à 40 °C (32 à 104 °F)
 Humidité de service
 35 à 85 % (sans condensation)
 Température de stockage
 -20 à 60 °C (-4 à 140 °F)
 Humidité de stockage
 10 à 90 %
 Accessoires fournis
 Télécommande RM-PJM610 (1)
 Piles AA (R6) (2)
 Câble HD D-sub à 15 broches (1)
 (1-791-992-11 ou 1-791-992-21)

Câble de souris
 SIC-S21 (sériel) (2 m) (1)
 (1-783-502-11)
 SIC-S22 (PS/2) (2 m) (1)
 (1-783-501-11)
 Câble audio/vidéo (1,5 m) (1)
 (1-776-279-11)
 Câble USB type A – type B (2 m)
 (1) (1-790-081-11)
 Logiciel d'application, Projector
 Station Version 2.00 (1)
 Bouchon d'objectif (1)
 Dragonne pour la télécommande (1)
 Câble d'alimentation (1)
 Filtre à air (de réserve) (1)
 Mode d'emploi (1)
 Manuel d'installation destiné aux
 revendeurs (1)
 Carte de référence rapide (1)
 Livret de garantie (1)

La conception et les spécifications sont sujettes à modifications sans préavis.

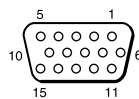
Accessoires en option

Lampe pour projecteur LMP-P201 (de réserve)
 Support de suspension pour projecteur PSS-610
 Etui de transport VLC-600¹⁾
 Câble de moniteur
 SMF-400 (HD D-sub à 15 broches (mâle) ↔ 5 × BNC (mâle))
 SMF-410 (HD D-sub à 15 broches (mâle) ↔ HD D-sub à 15 broches (mâle))
 Câble de signal
 SMF-402 (HD D-sub à 15 broches (mâle) ↔ 3 × type phono (mâle))
 Câble d'interface signal
 SIC-10 (5 × BNC (mâle) ↔ 5 × BNC (mâle))
 Câble de signal numérique
 SMF-D102 (DFP à 20 broches ↔ DFP à 20 broches)
 SMF-D110 (DFP à 20 broches ↔ DFP à 20 broches)
 Câble de souris
 SIC-S20 (pour Macintosh) (2 m)
 SIC-S21 (sériel) (2 m)
 SIC-S22 (PS/2) (2 m)
 Adaptateur de signal
 ADP-20 (Macintosh ↔ HD D-sub à 15 broches)
 Objectif de projection
 Zoom à focale longue VPLL-ZM101
 Zoom à focale courte VPLL-ZM31
 Objectif à focale courte fixe VPLL-FM21

Il est possible que certains de ces accessoires ne soient pas disponibles dans certaines zones géographiques. Pour plus de détails, veuillez consulter votre revendeur Sony.

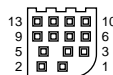
Assignation des broches

Connecteur d'entrée RGB (HD D-sub à 15 broches, femelle)



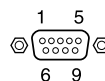
1	R	9	N.C.
2	G	10	GND
3	B	11	GND
4	N.C.	12	DDC/SDA
5	GND	13	HD/C.Sync
6	GND (R)	14	VD
7	GND (G)	15	DDC/SCL
8	GND (B)		

Connecteur MOUSE (13 broches, femelle)



1	RTS	8	R
2	GND	9	98/AT/TXD
3	XA	10	+5V/DTR
4	XB	11	CLOCK
5	YA	12	DATA
6	YB	13	RXD
7	L/PS		

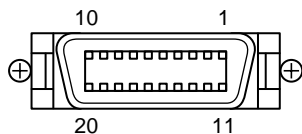
Connecteur RS-232C (D-sub à 9 broches, femelle)



1	DCD	6	DSR
2	RX DA	7	RTS
3	TX DA	8	CTS
4	DTR	9	RI
5	GND		

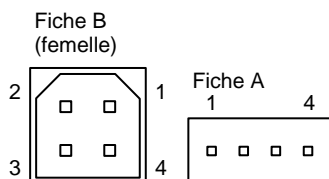
1) Il se peut que les VLC-600 ne soient pas disponibles dans certaines régions. Pour plus de détails, veuillez vous adresser à un service après-vente Sony dans votre région.

Connecteur d'entrée DIGITAL RGB (DFP à 20 broches, femelle)



1	TX0-	11	TXC-
2	TX0+	12	TXC+
3	TX0 SHIELD	13	TXC SHIELD
4	TX2 SHIELD	14	TX1 SHIELD
5	TX2-	15	TX1-
6	TX2+	16	TX1+
7	DDC/SCL	17	NC
8	DDC/SDA	18	SENSE
9	NC	19	+5V DC
10	NC	20	GND

Connecteur USB

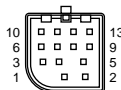


1	+5V
2	D-
3	D+
4	GND

Assignation des broches du câble de souris

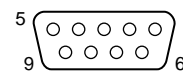
SIC-S21

13 broches



1	RTS	8	R
2	GND	9	98/AT/TXD
3	XA	10	+5V/DTR
4	XB	11	CLOCK
5	YA	12	DATA
6	YB	13	RXD
7	L/PS		

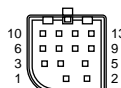
D-sub à 9 broches



1	DCD
2	RXD
3	TXD
4	DTR
5	GND
6	DSR
7	RTS
8	CTS
9	RI

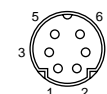
SIC-S22

13 broches



1	RTS	8	R
2	GND	9	98/AT/TXD
3	XA	10	+5V/DTR
4	XB	11	CLOCK
5	YA	12	DATA
6	YB	13	RXD
7	L/PS		

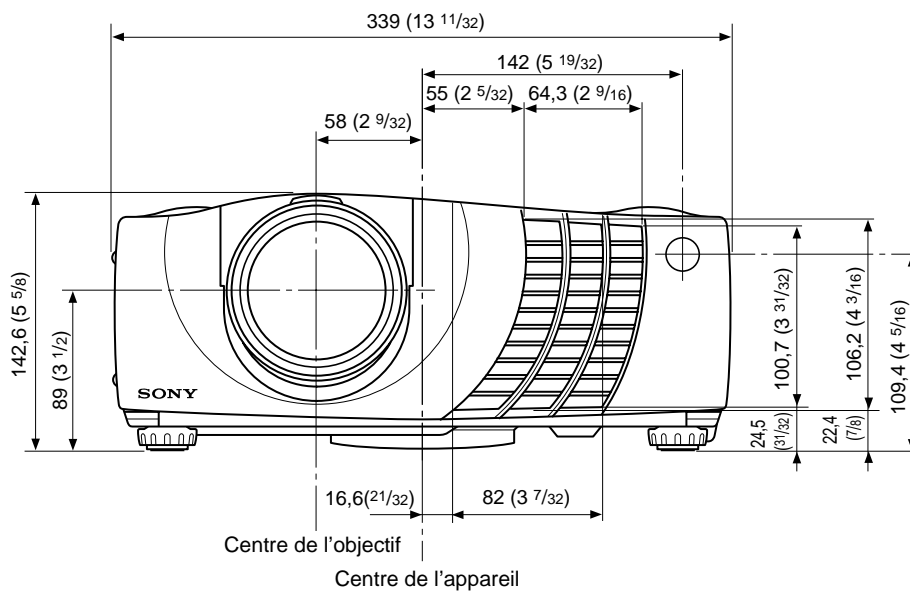
mini DIN à 6 broches



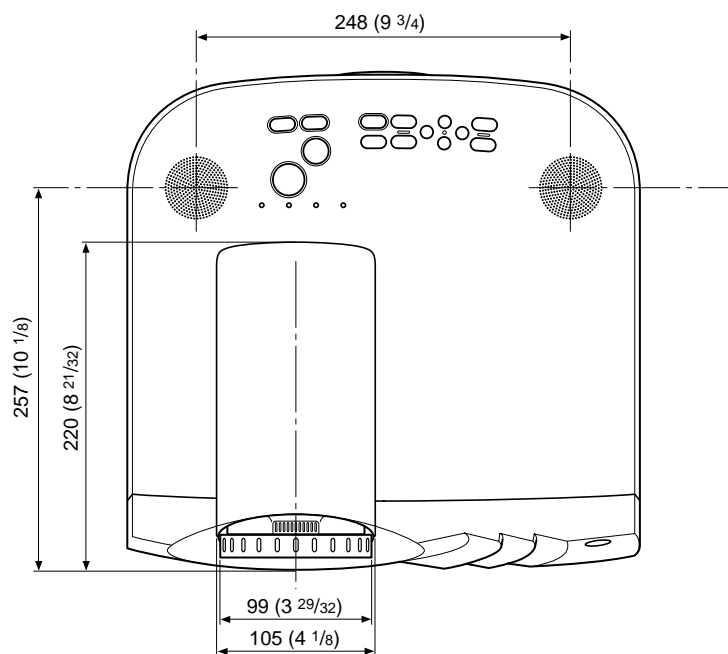
1	DATA
2	NC
3	GND
4	+5V
5	CLOCK
6	NC

Dimensions

Avant

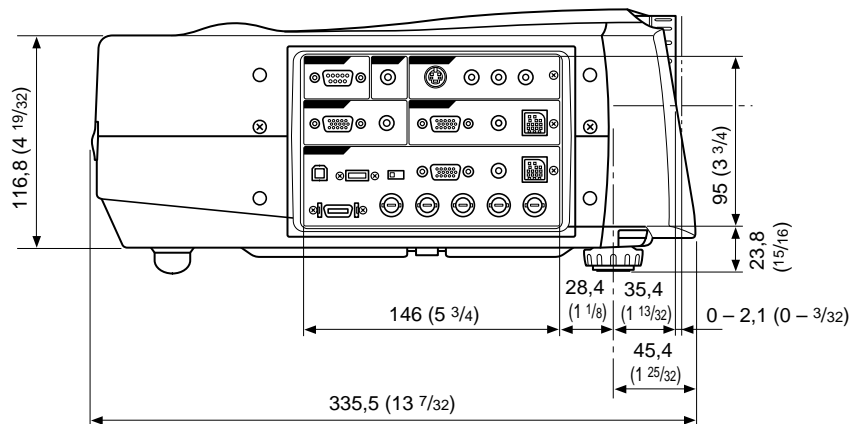


Dessus

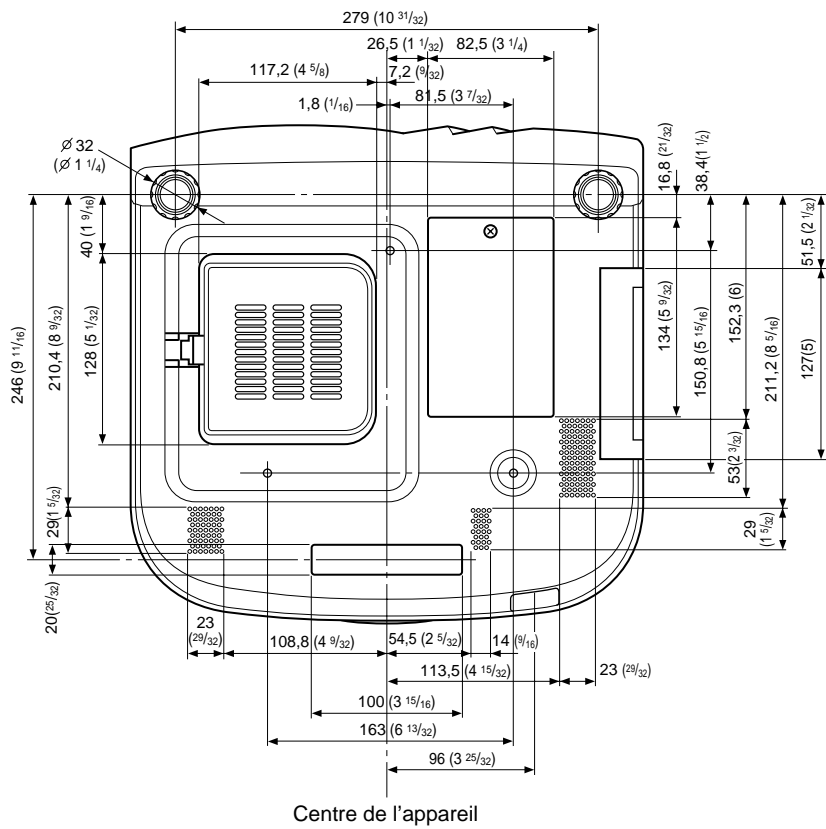


Unité: mm (pouces)

Côté



Bas



Unité: mm (pouces)

Index

A, B

Accessoires en option 37 (FR)
 Accessoires fournis 36 (FR)
 Alimentation
 mise hors tension 19 (FR)
 mise sous tension 17 (FR)
 AMPL H 23 (FR)
 Assignation des broches 37 (FR)

C

Câble de souris
 assignation des broches 38 (FR)
 raccordement 14 (FR)
 Capteur de télécommande
 arrière 7 (FR)
 avant 7 (FR)
 réglage 25 (FR)
 Commutateur DIGITAL RGB/5BNC/RGB
 10 (FR)
 Condensation 29 (FR)
 Connecteur d'entrée 5BNC 10 (FR)
 Connecteur d'entrée DIGITAL RGB 10
 (FR)
 assignation des broches 38 (FR)
 Connecteur d'entrée RGB 10 (FR)
 assignation des broches 37 (FR)
 Connecteur MOUSE 10 (FR)
 assignation des broches 37 (FR)
 Connecteur RS-232C 11 (FR)
 assignation des broches 37 (FR)
 Connecteur USB 10 (FR)
 assignation des broches 38 (FR)
 CONTRASTE 21 (FR)
 CONV FREQ (convertisseur de balayage)
 23 (FR)
 COULEUR 21 (FR)
 Coupure
 de l'image 18 (FR)
 du son 18 (FR)

D

Dépannage 33 (FR)
 DEPL. 23 (FR)
 Dimensions 39 (FR)
 DUREE LAMPE 26 (FR)

E

Emplacement et fonction des commandes
 arrière/côté droit/dessous 7 (FR)
 avant/côté gauche 7 (FR)
 panneau de commande 8 (FR)
 panneau des connecteurs 10 (FR)
 Télécommande 11 (FR)
 ENT. A 25 (FR)
 ETAT (affichage sur écran) 25 (FR)
 Exemples d'installation 27 (FR)
 au plafond 28 (FR)
 au sol 27 (FR)

F, G

Filtre à air 32 (FR)
 Fonction APA 9 (FR), 18 (FR)
 FORMAT 23 (FR)
 Formats d'écran 13 (FR), 24 (FR), 35
 (FR)

H

H.P. 25 (FR)

I, J, K

IMAGE D. (dynamique) 21 (FR)
 INSTALLATION 26 (FR)

L

LANGAGE 25 (FR)
 LUMIERE 21 (FR)

M

MEMOIRE TRAPEZ 26 (FR)
 Menu
 désactivation de l'affichage du menu 20
 (FR)
 Menu CTRL IMAGE 20 (FR)
 Menu REGLAGE 25 (FR)
 Menu REGL ENTREE 22 (FR)
 Menu REGL. INSTAL. 26 (FR)
 utilisation du menu 20 (FR)
 Menu CTRL IMAGE 20 (FR)
 Menu REGLAGE 25 (FR)
 Menu REGL ENTREE 22 (FR)
 Menu REGL. INSTAL. 26 (FR)
 Messages
 avertissement 34 (FR)
 mise en garde 34 (FR)
 MODE ECO 9 (FR), 25 (FR)
 MODE GAMMA 21 (FR)
 MODE LAMPE 26 (FR)
 Molettes de réglage 8 (FR)

N

NETTETE 21 (FR)

O

OPTIMISEUR RVB 21 (FR)
 Orifices de ventilation
 prise d'air 8 (FR)
 sortie d'air 7 (FR)

P, Q

PHASE 23 (FR)
 Piles
 installation 12 (FR)
 remarques 12 (FR)
 Poignée de transport 7 (FR)
 Précautions 5 (FR)
 Projection 17 (FR)

R

Raccordement
 magnétoscope 16 (FR)
 ordinateur 13 (FR)
 système à composante 16 (FR)
 RECEPTEUR SIRCS 7 (FR), 25 (FR)
 RECH ENT. AUTO 25 (FR)
 Réglage
 image 20 (FR)
 mémoire de réglages 20 (FR)
 taille/déplacement image 23 (FR)
 Réinitialisation
 paramètres réglables 20 (FR)
 réinitialisation d'un paramètre 20 (FR)
 Remarques concernant l'installation
 29 (FR)
 conditions d'utilisation déconseillées
 29 (FR)
 installation déconseillée 29 (FR)
 Remplacement de la lampe 31 (FR)

S

Spécifications 35 (FR)
 STANDARD 22 (FR)
 Support de suspension pour projecteur
 PSS-610 28 (FR)

T, U, V, W, X, Y, Z

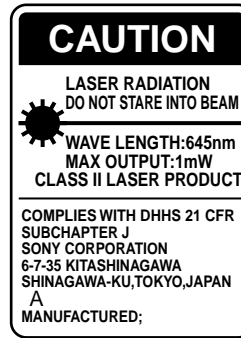
TEINTE 21 (FR)
 Télécommande
 emplacement et fonction des
 commandes 11 (FR)
 fonction de pointeur laser 11 (FR), 19
 (FR)
 installation des piles 12 (FR)
 touche D ZOOM 12 (FR)
 touche FUNCTION 12 (FR)
 touche HELP 12 (FR)
 TEMP COULEU 21 (FR)
 TRAPEZE NUMER 26 (FR)

ADVERTENCIA

Para evitar el riesgo de incendios o electrocución, no exponga la unidad a la lluvia ni a la humedad.

Para evitar descargas eléctricas, no abra el aparato. Solicite asistencia técnica únicamente a personal especializado.

La toma mural debe estar instalada cerca del equipo y debe accederse a ésta con facilidad.

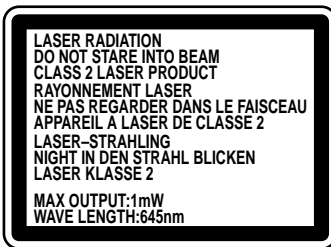
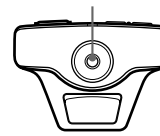


Esta etiqueta se encuentra en la parte posterior del mando a distancia.



Esta etiqueta se encuentra en la parte posterior del mando a distancia.

El haz láser se emite a través de esta ventana.



Esta etiqueta se encuentra en la parte posterior del mando a distancia.

Notas

- No oriente el láser hacia personas ni mire hacia el transmisor de láser.
- Si el mando a distancia causa fallos de funcionamiento, consulte con personal especializado Sony. Dicho mando se sustituirá por otro nuevo en función de la garantía.



Esta etiqueta se encuentra en el lateral del mando a distancia.

Advertencia sobre la conexión de alimentación

Utilice un cable de alimentación apropiado para el suministro de alimentación local.

	Estados Unidos, Canadá		Europa continental		Reino Unido, Irlanda, Australia, Nueva Zelanda	Japón
Tipo de enchufe	VM0233	290B	YP-12A	COX-07	— ¹⁾	YP332
Extremo hembra	VM0089	386A	YC-13B	COX-02	VM0310B	YC-13
Tipo de cable	SJT	SJT	H05VV-F	H05VV-F	N13237/CO-228	VCTF
Corriente y tensión nominal	10A/125V	10A/125V	10A/250V	10A/250V	10A/250V	7A/125V
Homologación de seguridad	UL/CSA	UL/CSA	VDE	VDE	VDE	DENAN

1) Utilice el enchufe apropiado para su país.

Índice

Descripción general

Precauciones	5 (ES)
Características	6 (ES)
Ubicación y función de los controles	7 (ES)
Parte frontal/izquierda	7 (ES)
Parte posterior/derecha/inferior	7 (ES)
Panel de control	9 (ES)
Panel de conectores	10 (ES)
Mando a distancia	11 (ES)

Instalación y proyección

Instalación del proyector	13 (ES)
Conexión	13 (ES)
Conexión con un ordenador	13 (ES)
Conexión con una videgrabadora/equipo 15k RGB/ componente	16 (ES)
Selección del idioma del menú	17 (ES)
Proyección	17 (ES)
Herramientas efectivas para la presentación	19 (ES)

Realización de ajustes mediante el menú

Uso del MENU	20 (ES)
Menú CTRL IMAGEN	20 (ES)
Menú AJUS ENTRAD	22 (ES)
Menú AJUSTE	24 (ES)
Menú AJUSTE INST	25 (ES)

Instalación

Ejemplos de instalación	26 (ES)
Instalación en el suelo	26 (ES)
Instalación en el techo	27 (ES)
Notas para la instalación	28 (ES)
Instalación inadecuada	28 (ES)
Condiciones de uso inadecuadas	28 (ES)

Mantenimiento

Mantenimiento	30 (ES)
Sustitución de la lámpara	30 (ES)
Limpieza del filtro de aire	31 (ES)
Solución de problemas	32 (ES)

Otros

Especificaciones	34 (ES)
Índice alfabético	40 (ES)

Precauciones


Seguridad

- Compruebe que la tensión de funcionamiento de la unidad coincide con la tensión de suministro eléctrico local.
- Si se derrama líquido dentro de la unidad o se introduce un objeto sólido en la misma, desenchúfela y haga que sea revisada por personal especializado antes de volver a utilizarla.
- Desenchufe la unidad de la toma mural si no va a utilizarla durante varios días.
- Para desconectar el cable, tire del enchufe, nunca del propio cable.
- La toma de corriente debe encontrarse cerca de la unidad y ser de fácil acceso.
- La unidad no se desconectará de la fuente de alimentación de CA (toma de corriente) mientras esté conectada a la toma mural, aunque la haya apagado.
- No mire al objetivo mientras la lámpara está encendida.
- No oriente el láser hacia personas ni mire hacia el transmisor láser.
- No sitúe la mano ni objetos cerca de los orificios de ventilación, ya que el aire que sale está caliente.
- Tenga cuidado de no pillarse los dedos con el ajustador cuando levante el proyector. No ejerza excesiva presión sobre la parte superior del proyector con el ajustador fuera.

Iluminación

- Para obtener la mejor calidad posible de imagen, la parte frontal de la pantalla no debe exponerse a la luz solar ni a iluminaciones directas.
- Se recomienda instalar una lámpara proyectora en el techo. Cubra las lámparas fluorescentes para evitar la disminución de la relación de contraste.
- Cubra con telas opacas las ventanas que estén orientadas hacia la pantalla.
- Es preferible instalar el proyector en una sala cuyo suelo y paredes no se compongan de materiales que reflejen la luz. Si el suelo y las paredes reflejan la luz, se recomienda cambiar el color de la moqueta y del papel pintado de la pared por otro oscuro.

Prevención del recalentamiento interno

Después de desactivar la alimentación con la tecla I /  del mando a distancia o del panel de control, no desconecte la unidad de la toma de corriente mientras el ventilador de enfriamiento se encuentra en funcionamiento.

Precaución

El proyector dispone de orificios de ventilación de aspiración en la parte inferior y de exhaustación en la parte posterior. No bloquee estos orificios ni coloque nada junto a ellos, ya que puede producirse recalentamiento interno, causando el deterioro de imagen o daños al proyector.

Limpieza

- Para mantener el exterior como nuevo, límpielo periódicamente con un paño suave. Las manchas persistentes pueden eliminarse con un paño ligeramente humedecido con una solución detergente poco concentrada. No utilice nunca disolventes concentrados, como diluyentes, bencina o limpiadores abrasivos, ya que dañan el acabado.
- Evite tocar el objetivo. Para eliminar el polvo de éste, emplee un paño seco y suave. No utilice un paño húmedo, soluciones detergentes ni diluyentes.
- Limpie el filtro cada 300 horas.

Embalaje

- Conserve la caja y materiales originales de embalaje, ya que le resultarán útiles cuando vaya a transportar la unidad. Para obtener la máxima protección, embale la unidad tal como la recibió de fábrica.

Proyector LCD

El proyector LCD está fabricado con tecnología de alta precisión. No obstante, es posible que aparezcan continuamente pequeños puntos negros y/o brillantes (rojos, azules o verdes) en dicho proyector. Se trata de un resultado normal del proceso de fabricación y no indica ningún fallo de funcionamiento.

Características

Alto brillo y alta calidad de imagen

• Alto brillo

El panel LCD de alta relación de apertura con microlente y la lámpara UHP de 200 W permiten obtener un alto brillo (salida de luz de 1800 ANSI lumen para VPL-PX21 (sin microlente), y 2800 ANSI lumen para VPL-PX31) y una excelente uniformidad en la imagen.

• Alta resolución

Mediante la adopción de tres paneles XGA de 1,3 pulgadas y aproximadamente 790.000 píxeles, este proyector puede proyectar imágenes nítidas con resolución de 1024 × 768 píxeles para entrada RGB y 750 líneas de TV horizontales para entrada de vídeo.

• Alto rendimiento de imagen

Este proyector utiliza el método de corrección Gamma Digital 3D que permite obtener una óptima uniformidad de imagen. Igualmente, el potenciador RGB interno proporciona imágenes RGB más nítidas.

Fácil instalación

• Función APA (Alineación automática de píxeles) de alto rendimiento exclusiva de Sony

Es posible obtener la imagen más nítida posible pulsando la tecla APA al introducir la señal desde un ordenador.

• Fácil instalación con equipos externos

Este proyector dispone de 44 tipos de datos predeterminados de señales de entrada. Es posible obtener una imagen adecuada conectando un equipo con el cable suministrado y pulsando la tecla APA.

• Conectores USB, Digital RGB y 5BNC

Los equipos USB (p.ej., un ratón USB) permiten ampliar el sistema. El empleo del software de aplicación suministrado con el proyector posibilita controlar éste mediante un ordenador que utilice el sistema operativo Windows¹⁾ 98/98 Second Edition/2000. El conector RGB digital permite conectar el proyector a un equipo RGB digital. El conector de entrada 5BNC permite conectar el proyector a una estación de trabajo de señales de salida de alta resolución y a un ordenador a larga distancia.

Fácil presentación

• Mando a distancia con funciones de control de ratón y puntero láser

Con el receptor incorporado de ratón, es posible emplear un ordenador con el mando a distancia. Para presentaciones, puede utilizar el puntero láser incorporado en el mando a distancia.

• Teclas Digital ZOOM, FUNCTION y HELP del mando a distancia

El ZOOM digital permite mejorar las presentaciones aplicando el zoom hacia una panorámica de detalle sobre la imagen.

Es posible asignar un archivo de presentación a las teclas FUNCTION mediante el uso del software de aplicación (CD-ROM) suministrado con el proyector. Basta con pulsar la tecla FUNCTION para que el archivo se abra inmediatamente. La tecla HELP resulta útil cuando se produce algún problema durante la operación.

• Alta portabilidad

Este proyector es portátil (7,2 kg, tamaño de portátil). Con esta característica, el asa de transporte contribuye a que resulte más cómodo transportar la unidad donde desee.

Compatibilidad con exploración múltiple

• Convertidor de exploración incorporado

Este proyector dispone de un convertidor de exploración incorporado que convierte la señal de entrada a un valor dentro de 1024 × 768 píxeles.

• Admisión de distintas señales de entrada

Este proyector acepta señales de vídeo compuestas, de vídeo S y de componente, así como señales de 15k RGB, VGA²⁾, SVGA²⁾, XGA²⁾ y SXGA²⁾, todas las cuales pueden visualizarse.

• Compatible con seis sistemas de color

Es posible seleccionar automática o manualmente el sistema de color NTSC^{3,58}, PAL, SECAM, NTSC^{4,43}³⁾, PAL-M o PAL-N.

Otras funciones

Plug & Play

Este proyector cumple con DDC1 y DDC2B. (DDC1 y DDC2B representan la norma Canal de datos de visualización (DDCTM)⁴⁾ de VESA.)

Al conectar un sistema central DDC1, el proyector se sincroniza con V.CLK, que cumple con la norma VESA, y envía EDID (Datos extendidos de identificación de la pantalla) a la línea de datos.

Al conectar un sistema central DDC2B, el proyector activa automáticamente el modo de comunicación correcto.

1) Windows es una marca registrada de Microsoft Corporation (en EE.UU. y otros países).

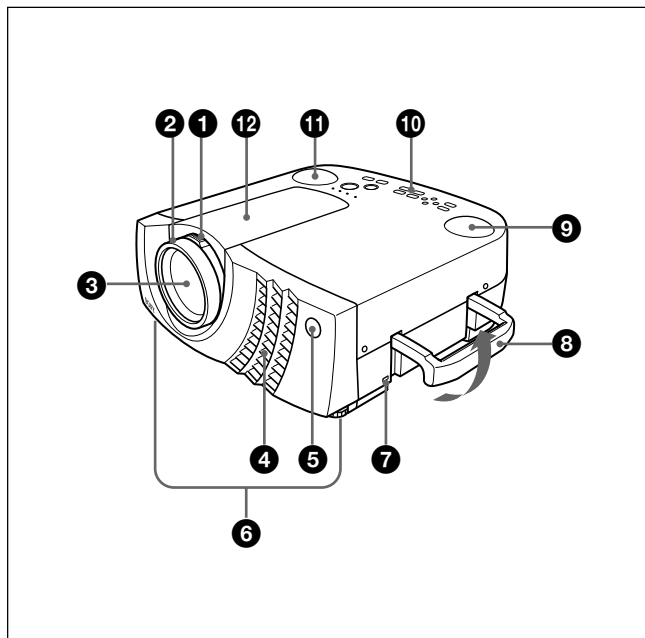
2) VGA, SVGA, XGA y SXGA son marcas comerciales registradas de International Business Machines Corporation, EE.UU.

3) NTSC^{4,43} es el sistema de color utilizado al reproducir vídeos grabados en NTSC en videograbadoras del sistema NTSC^{4,43}.

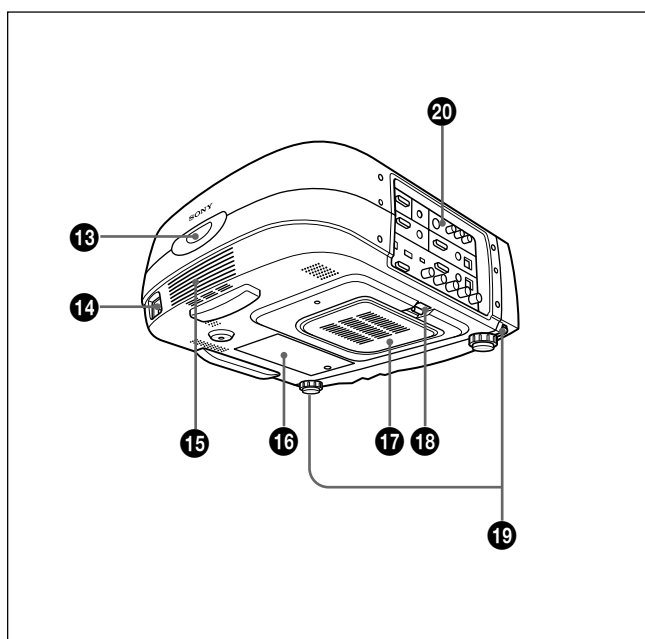
4) DDCTM es una marca comercial registrada de Video Electronics Standard Association.

Ubicación y función de los controles

Parte frontal/izquierda



Parte posterior/derecha/inferior



1 Anillo de zoom

Ajusta el tamaño de la imagen.

2 Anillo de enfoque

Ajusta el enfoque de la imagen.

3 Objetivo

Abra la tapa del objetivo antes de proyectar.

4 Orificios de ventilación (exhaustación)

5 Detector frontal de mando a distancia (receptor SIRCS)

6 Ajustador

Si alguna imagen se proyecta fuera de la pantalla, ajuste dicha imagen utilizando este ajustador.

Para obtener más información sobre cómo utilizar los ajustadores, consulte "Cómo utilizar el ajustador" en la página 8 (ES).

7 Bloqueo de seguridad

Se conecta a un cable opcional de seguridad (fabricado por Kensington)¹⁾.

El bloqueo de seguridad corresponde al sistema de seguridad "MicroSaver[®]1)" de Kensington. Si necesita más información, póngase en contacto con

Kensington
2855 Campus Drive, San Mateo, CA 94403

En Norteamérica
Teléfono: 800-235-6708
Fax: 800-247-1317

Fuera de Norteamérica
Teléfono: 847-541-9500

Dirección en Internet:
<http://www.kensington.com/>

8 Asa de transporte

Tire del asa del proyector hacia arriba para transportarlo.

9 Altavoz izquierdo

10 Panel de control

Para obtener más información, consulte "Panel de control" en la página 9 (ES).

11 Altavoz derecho

1) Kensington y MicroSaver son marcas comerciales registradas de Kensington Technology Group.

12 Cubierta del objetivo

13 Detector posterior de mando a distancia (receptor SIRCS)

14 Clavija AC IN

Conecta el cable de alimentación de CA suministrado.

15 Altavoz posterior

16 Cubierta de la lámpara

17 Orificios de ventilación (aspiración)/cubierta del filtro de aire

Notas

- No sitúe nada junto a los orificios de ventilación, ya que puede producirse recalentamiento interno.
- No sitúe la mano ni objetos cerca de los orificios de ventilación, ya que el aire sale caliente.

18 Botón de la cubierta del filtro de aire

Se emplea para extraer la cubierta del filtro de aire. Para obtener más información, consulte "Limpieza del filtro de aire" en la página 31 (ES).

Nota

Limpie el filtro de aire cada 300 horas para garantizar un nivel de rendimiento óptimo.

19 Botones del ajustador

20 Panel de conectores

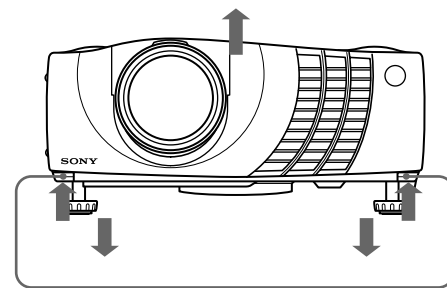
Para más información, consulte la página 10 (ES).

Cómo utilizar el ajustador

Para ajustar la altura

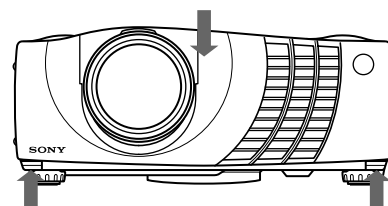
Ajuste la altura del proyector de la siguiente forma:

- 1** Levante el proyector y pulse los botones del ajustador. Los ajustadores se extenderán a partir del proyector.



Botones del ajustador

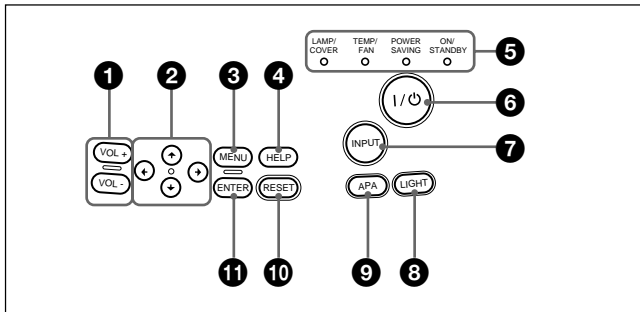
- 2** Mientras pulsa los botones, baje el proyector. A continuación, deje de pulsar los botones. Los ajustadores se bloquearán, por lo que la altura del proyector se fijará. Para ajustar con precisión, gire los ajustadores a la derecha y la izquierda.



Notas

- Tenga cuidado para que el proyector no se caiga sobre sus dedos.
- No ejerza una presión excesiva sobre la parte superior del proyector mientras los ajustadores se encuentran fuera.

Panel de control



1 Teclas VOL +/-

Ajustan el volumen de los altavoces incorporados y el nivel de salida de la toma AUDIO.

- + : Aumenta el volumen.
- : Disminuye el volumen.

2 Teclas de flecha (↑/↓/←/→)

Se emplean para seleccionar el menú o para realizar distintos ajustes.

3 Tecla MENU

Muestra el menú en pantalla. Vuelva a pulsarla para que el menú desaparezca.

4 Tecla HELP

Si necesita información de ayuda durante las operaciones, pulse esta tecla para que aparezcan mensajes de ayuda. El menú de ayuda enumera recuperaciones de error según el tipo de problema.

5 Indicadores

- LAMP/COVER:** Se ilumina o parpadea en las siguientes situaciones:
- Se ilumina si la lámpara ha llegado al final de su duración o si su temperatura es alta.
 - Parpadea si la cubierta de la lámpara o la del filtro de aire no está firmemente cerrada.

TEMP (Temperatura)/FAN: Se ilumina o parpadea en las siguientes situaciones:

- Se ilumina si la temperatura del interior del proyector es anormalmente alta.
- Parpadea si el ventilador está roto.

POWER SAVING: Se ilumina cuando el proyector se encuentra en el modo de ahorro de energía. Si AHORRO ENERGIA se ajusta en SI en el menú AJUSTE, el proyector entrará en el modo de ahorro de energía si no se introduce ninguna señal durante 10 minutos. Aunque la lámpara se apague, el ventilador de enfriamiento continúa funcionando. En el modo de ahorro de energía, no funciona ninguna tecla durante los primeros 40 segundos. Dicho modo se cancela al recibirse una señal o al pulsar cualquier tecla.

ON/STANDBY: Se ilumina o parpadea en las siguientes situaciones:

- Se ilumina en color rojo cuando el cable de alimentación de CA se enchufa en la toma mural. Una vez en el modo de espera, podrá encender el proyector con la tecla I / (encendido / espera).
- Se ilumina en color verde al activar la alimentación.

- Parpadea en color verde mientras funciona el ventilador de enfriamiento después de desactivar la alimentación con la tecla I / (encendido / espera). El ventilador funciona durante unos 120 segundos después de desactivar la alimentación. El indicador ON/STANDBY parpadea rápidamente durante los primeros 40 segundos. Durante este espacio de tiempo, no es posible volver a activar la alimentación con la tecla I / (encendido / espera).

Para obtener información detallada sobre los indicadores LAMP/COVER y TEMP/FAN, consulte la página 33 (ES).

6 Tecla I / (encendido / espera)

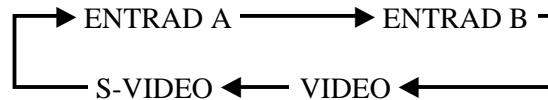
Enciende y apaga el proyector cuando éste se encuentra en modo de espera. El indicador ON/STANDBY se ilumina en color verde al activar la alimentación.

Para desactivar la alimentación, pulse la tecla I / (encendido / espera) dos veces siguiendo el mensaje en pantalla, o pulse y mantenga pulsada la tecla durante un segundo aproximadamente.

Para obtener información detallada sobre los pasos para desactivar la alimentación, consulte "Para desactivar la alimentación" en la página 19 (ES).

7 Tecla INPUT

Selecciona la señal de entrada. Cada vez que pulse la tecla, la señal de entrada cambiará de la siguiente forma:



Las señales de sonido son comunes a VIDEO y a S-VIDEO.

8 Tecla LIGHT

Si pulsa esta tecla mientras la alimentación se encuentra activada, las teclas del panel de control se iluminarán en color naranja. Pulse esta tecla para desactivar la luz.

9 Tecla APA (Alineación automática de píxeles)

Ajusta automáticamente la imagen para que se proyecte de la forma más nítida posible mientras se introduce una señal desde el ordenador. También ajusta automáticamente el desplazamiento (arriba/abajo e izquierda/derecha) al mismo tiempo.

Nota

Pulse la tecla APA cuando aparezca la imagen completa en pantalla. Si hay bordes negros alrededor de la imagen, la función APA no se activará adecuadamente y la imagen puede extenderse más allá de la pantalla.

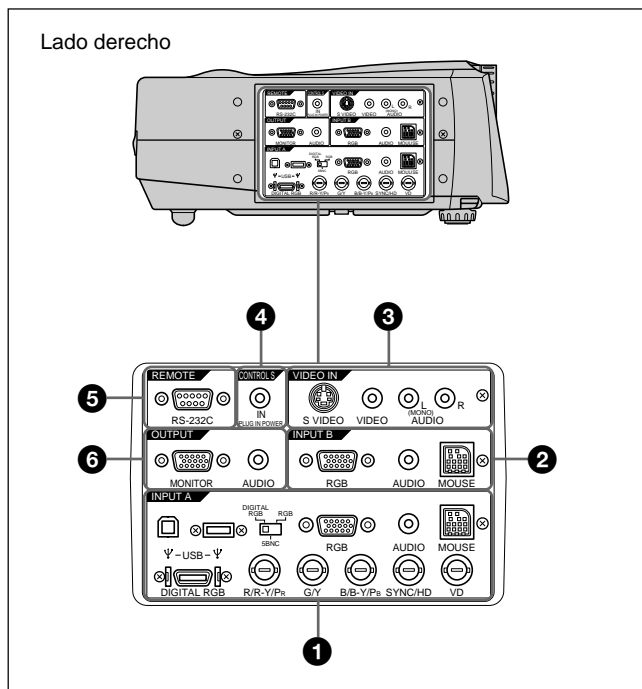
10 Tecla RESET

Restaura el valor definido de fábrica de un elemento. Esta tecla funciona cuando el menú o un elemento de ajuste se muestra en pantalla.

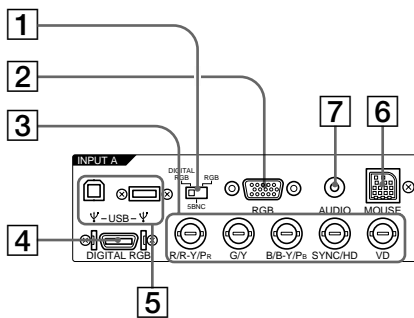
11 Tecla ENTER

Introduce los ajustes de los elementos en el sistema de menús.

Panel de conectores



1 Conectores INPUT A



- 1 Interruptor DIGITAL RGB/5BNC/RGB:** Selecciona DIGITAL RGB, 5BNC o RGB en los conectores INPUT A. Seleccione la posición apropiada en función de la señal de entrada.
DIGITAL RGB: La señal se introduce desde el conector DIGITAL RGB.
5BNC: La señal se introduce desde el conector 5BNC.
RGB: La señal se introduce desde el conector RGB.
- 2 Conector de entrada de RGB (HD D-sub de 15 pines, hembra):** Conéctelo a la salida de monitor de un ordenador mediante el cable suministrado. Este conector sólo acepta señales procedentes de un ordenador.
- 3 Conectores de entrada 5BNC (conectores R/R-Y/P_R, G/Y, B/B-Y/P_B, SYNC/HD, VD) (tipo BNC):** Conéctelos a un ordenador o una videogradora de alta resolución donde las señales se transmitan a gran distancia; por ejemplo, si el proyector se ha colgado en el techo.

Según el equipo conectado, se seleccionará la señal de ordenador, de componente (R-Y/Y/B-Y), HDTV o DTV (DTV GBR, DTV YP_BP_R).

- 4 Conector de entrada DIGITAL RGB (DFP de 20 pines, TMDS):** Se conecta a un conector de salida RGB digital de un equipo externo.
- 5 Conector USB:** Se conecta al ordenador o a un dispositivo USB.
Enchufe A: (Derecha, para flujo de entrada, 4 pines): Se conecta a un equipo USB.
Enchufe B: (Izquierda, para flujo de salida, 4 pines): Se conecta a un ordenador. Si conecta el proyector y un ordenador, el proyector presupone que hay un ratón USB conectado; ello permite controlar el ratón mediante el mando a distancia. El software de aplicación suministrado con el proyector permite controlar el proyector desde el ordenador.
- 6 Conector MOUSE (13 pines):** Se conecta al puerto de ratón de un ordenador para controlar la función de ratón mediante el cable de ratón suministrado.
- 7 Toma AUDIO (minitoma estéreo):** Se conecta a la salida de audio de un ordenador.

2 Conectores INPUT B

Se conectan a un equipo externo, como un ordenador. Es posible controlar la señal de ratón con el mando a distancia.

- Entrada de RGB (HD D-sub de 15 pines, hembra):** Se conecta a la salida de monitor de un ordenador mediante el cable suministrado. Este conector sólo acepta señales procedentes de un ordenador.
AUDIO (minitoma estéreo): Se conecta a la salida de audio de un ordenador.
MOUSE (13 pines): Se conecta al puerto de ratón de un ordenador para controlar la función de ratón mediante el cable de ratón suministrado.

3 Tomas VIDEO IN

Se conectan a equipos de vídeo externos, como una videogradora.
S VIDEO (mini DIN de 4 pines): Se conecta a la salida de vídeo S (salida de vídeo Y/C) de un equipo de vídeo.
VIDEO (tipo fonográfico): Se conecta a la salida de vídeo compuesta.
L (MONO)/R de entrada de AUDIO (tipo fonográfico): Se conectan a la salida de audio del equipo. Para equipos estéreo, utilice las tomas L y R; para equipos monofónicos, utilice la toma L (MONO) solamente.
 Las señales de sonido son comunes a VIDEO y a S VIDEO.

4 Toma CONTROL S IN/PLUG IN POWER (salida de CC de 5V)

Se conecta a las tomas de salida de control S del equipo Sony.

Se conecta a la toma CONTROL S OUT del mando a distancia suministrado cuando se emplea con cable.

En este caso, no es preciso instalar las pilas en dicho mando, ya que esta toma suministra la alimentación.

5 Conector RS-232C (D-sub de 9 pines, hembra)

Se conecta a un ordenador para controlar el proyector desde dicho ordenador.

6 Conectores OUTPUT

MONITOR (HD D-sub de 15 pines, hembra): Se conecta a la entrada de vídeo del monitor. Envía las señales del canal seleccionado al conector INPUT A (RGB o 5BNC) o INPUT B (RGB). Este conector no envía señales a través del conector DIGITAL RGB.

AUDIO (tipo fonográfico): Se conecta a los altavoces externos activos.

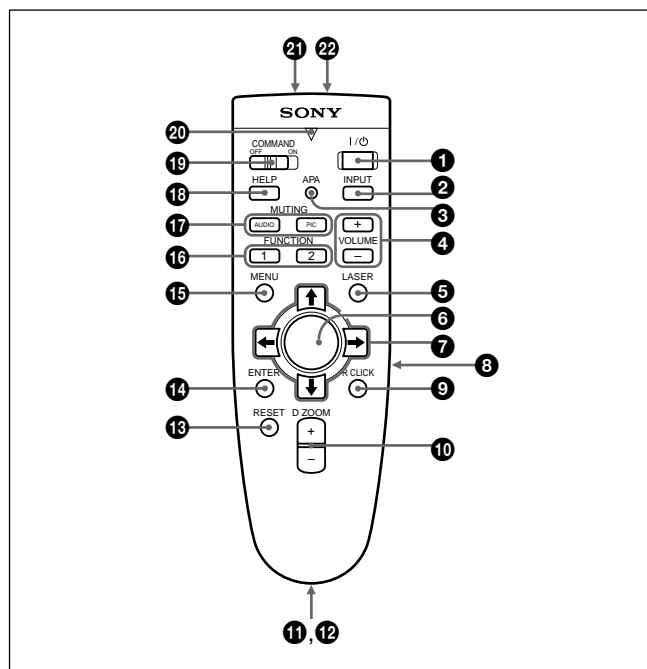
El volumen de los altavoces puede controlarse con las teclas VOLUME +/- del mando a distancia o las teclas VOL +/- del panel de control.

Mando a distancia

Las teclas con los mismos nombres que las del panel de control tienen un funcionamiento idéntico.

Puede controlar con el mando a distancia un ordenador conectado.

Para obtener más información, consulte "Conexión con un ordenador" en la página 13 (ES).



Notas sobre el haz láser

- No mire al transmisor láser.
- No oriente el láser hacia personas.

1 Tecla I / O

2 Tecla INPUT

3 Tecla APA (Alineación automática de píxeles)

4 Teclas VOLUME +/-

5 Tecla LASER

Emite el haz láser del transmisor al pulsar esta tecla.

6 Mando universal

Funciona como el ratón de un ordenador conectado a la unidad.

7 Teclas de flecha (↑/↓/←/→)

8 Tecla L CLICK

Funciona como el botón izquierdo de un ratón. Si se conecta a un ordenador Macintosh¹⁾, la tecla L CLICK funciona como un botón de ratón.

9 Tecla R CLICK

Funciona como el botón derecho de un ratón. Si se conecta a un ordenador Macintosh, la tecla R CLICK funciona como un botón de ratón.

10 Tecla D ZOOM +/-

Aumenta la imagen hasta la ubicación en pantalla que se desee.

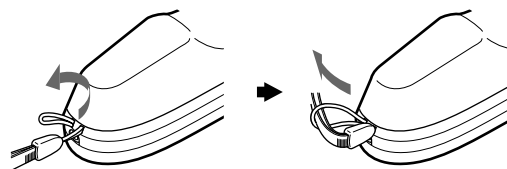
+ : El icono aparece al pulsar la tecla + una vez. Este icono indica el punto que se desea aumentar.

Utilice una tecla de flecha (↑/↓/←/→) para desplazar el icono hasta el punto que va a aumentar. Pulse la tecla + varias veces hasta que la imagen quede aumentada según sus preferencias.

- : Al pulsar la tecla - se reduce la imagen aumentada con la tecla D ZOOM +.

11 Compartimiento para el asa

Permite fijar el asa suministrada.



1) Macintosh es una marca registrada de Apple Computer, Inc.

12 Toma CONTROL S OUT (minitoma estéreo)

Se conecta a la toma CONTROL S IN del proyector mediante el cable de conexión (no suministrado) al utilizar el mando a distancia con cable. En este caso, no es necesario instalar las pilas, ya que el mando se alimenta a través de la toma CONTROL S IN del proyector.

13 Tecla RESET

14 Tecla ENTER

15 Tecla MENU

16 Teclas FUNCTION 1/2

Si conecta el proyector a un ordenador, podrá abrir archivos en pantalla con solo pulsar la tecla FUNCTION. De esta forma se mejora la presentación. Para emplear esta función, asigne un archivo a la tecla FUNCTION utilizando el software de aplicación. Para más información sobre cómo asignar archivos a la tecla FUNCTION, consulte el archivo de ayuda del software de aplicación.

17 Teclas MUTING

Desactivan la imagen y el sonido.

PIC: Desactiva la imagen. Vuelva a pulsarla para recuperar la imagen.

AUDIO: Desactiva el sonido de los altavoces y de la toma AUDIO. Vuelva a pulsarla o pulse la tecla VOLUME + para recuperar el sonido.

18 Tecla HELP

Si necesita información de ayuda durante las operaciones, pulse esta tecla para que aparezcan mensajes de ayuda.

19 Interruptor COMMAND ON/OFF

Si ajusta este interruptor en OFF, no funcionará ninguna tecla del mando a distancia. De esta forma, se ahorra la energía de las pilas.

20 Indicador de transmisión

Se ilumina al pulsar alguna tecla del mando a distancia.

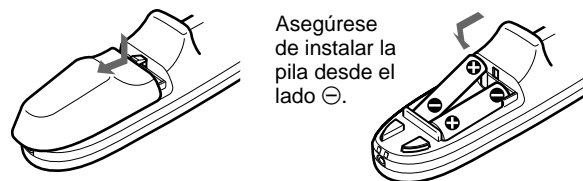
Este indicador no se ilumina al utilizar el puntero láser.

21 Transmisor de rayos infrarrojos

22 Transmisor láser

Instalación de las pilas

- 1 Empuje y deslice la tapa para abrirla y, a continuación, instale dos pilas tamaño AA (R6) (suministradas) con la polaridad correcta.



- 2 Vuelva a colocar la tapa.

Notas sobre las pilas

- Asegúrese de que la orientación de las pilas es correcta al insertarlas.
- No mezcle pilas usadas con nuevas, ni diferentes tipos de pilas.
- Si no va a utilizar el mando a distancia durante mucho tiempo, extraiga las pilas para evitar daños por fugas. Si se producen fugas, extraiga las pilas, seque el compartimento de éstas y sustituya las pilas por otras nuevas.

Notas sobre el funcionamiento del mando a distancia

- Compruebe que no haya nada que obstruya el haz de rayos infrarrojos entre el mando a distancia y el detector de control remoto del proyector.
- El margen de operación está limitado. Cuanto menor sea la distancia entre el mando a distancia y el proyector, mayor será el ángulo de control del mando a distancia sobre el proyector.

Instalación del proyector

En esta sección se describen las diferentes maneras de instalar el proyector.

Centro horizontal de la pantalla

La distancia entre el objetivo y la pantalla varía en función del tamaño de ésta. Emplee la siguiente tabla como referencia.

Distancia entre la pantalla y el centro del objetivo

		Unidad: m (pies)							
Tamaño de la pantalla (pulgadas)		40	60	80	100	120	150	200	300
Distancia mínima		1,5 (4,9)	2,3 (7,5)	3,1 (10,0)	3,9 (12,6)	4,6 (15,2)	5,8 (19,1)	7,8 (25,5)	11,7 (38,4)
Distancia máxima		1,8 (6,0)	2,8 (9,1)	3,7 (12,3)	4,7 (15,4)	5,7 (18,6)	7,1 (23,3)	9,5 (31,2)	14,3 (46,9)

Conexión

Conexión con un ordenador

En esta sección se describe cómo conectar el proyector con un ordenador.

Es posible controlar el proyector mediante el ordenador utilizando el software de aplicación suministrado con dicho proyector, y/o puede utilizar un equipo USB. Para más información, consulte "Empleo de un equipo USB (p. ej., un ratón USB)".

Si conecta el proyector a un ordenador, podrá controlar el ratón de éste mediante el mando a distancia.

Las teclas R/L CLICK y el mando universal funcionan de la siguiente forma.

Nota

Compruebe que no haya nada que obstruya el haz de rayos infrarrojos entre el mando a distancia y el detector del mando a distancia del proyector.

Tecla y mando universal	Función	
	IBM PC/AT ¹⁾ compatible, serie	Macintosh
R CLICK (parte frontal)	Botón derecho	Botón de ratón
L CLICK (parte posterior)	Botón izquierdo	Botón de ratón
Mando universal	Se corresponde con los movimientos del ratón	

Consulte también el manual de instrucciones del equipo que vaya a conectar.

Notas

- Esta unidad acepta señales VGA, SVGA, XGA o SXGA. No obstante, se recomienda ajustar la señal de salida del ordenador en XGA.
- Si ajusta el ordenador, como un portátil tipo IBM PC/AT compatible, para que envíe la señal a la pantalla del ordenador y al monitor externo, la imagen del monitor externo puede no aparecer correctamente. En tal caso, ajuste el modo de salida del ordenador para que envíe la señal sólo al monitor externo.

Para obtener más información, consulte el manual de instrucciones suministrado con el ordenador.

- Los conectores de entrada RGB de INPUT A/B y el conector DIGITAL RGB de INPUT A cumplen con VESA DDC2B. Si el ordenador o la tarjeta gráfica es compatible con DDC, active la alimentación del equipo de la siguiente forma:

- 1 Conecte el proyector al ordenador con el cable HD D-sub de 15 pines.
- 2 Active la alimentación del proyector.
- 3 Arranque el ordenador.

1) IBM y PC/AT son una marca comercial y una marca comercial registrada de International Business Machines Corporation, EE.UU.

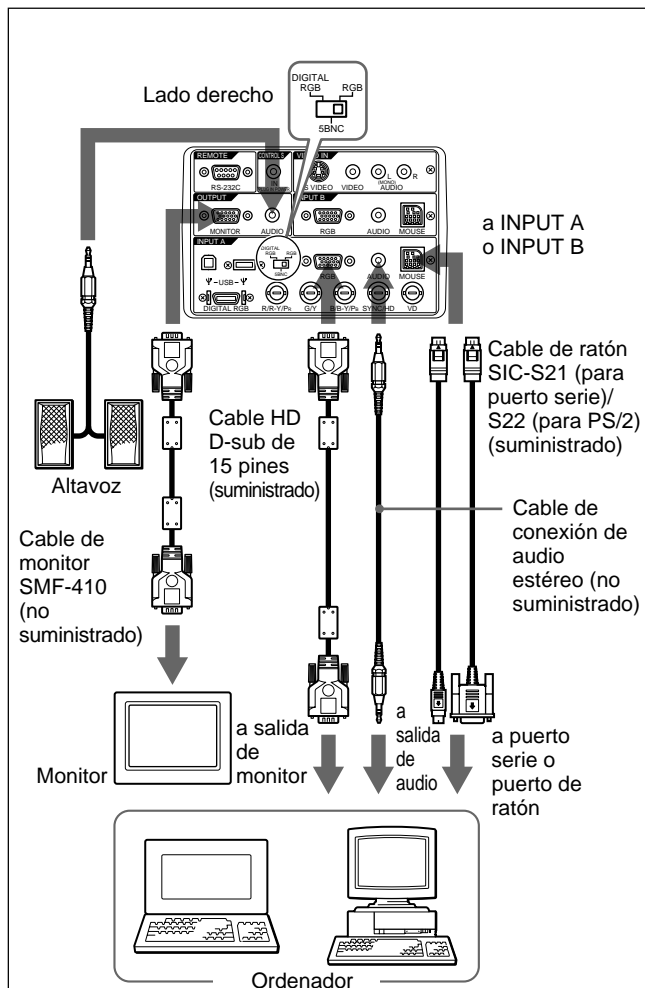
Al realizar conexiones, asegúrese de:

- apagar todos los equipos antes de realizar cualquier conexión.
- utilizar los cables adecuados para cada conexión.
- insertar los enchufes de los cables correctamente. Si no inserta los enchufes por completo, puede producirse ruido. Para desconectar un cable, asegúrese de tirar del enchufe, nunca del propio cable.

Notas

- Conecte todos los cables de conexión al conector INPUT A al introducir una señal desde el conector INPUT A. Conecte todos los cables al conector INPUT B al introducir una señal desde el conector INPUT B.
- El posible que los cables de ratón suministrados no funcionen correctamente según el tipo de ordenador.

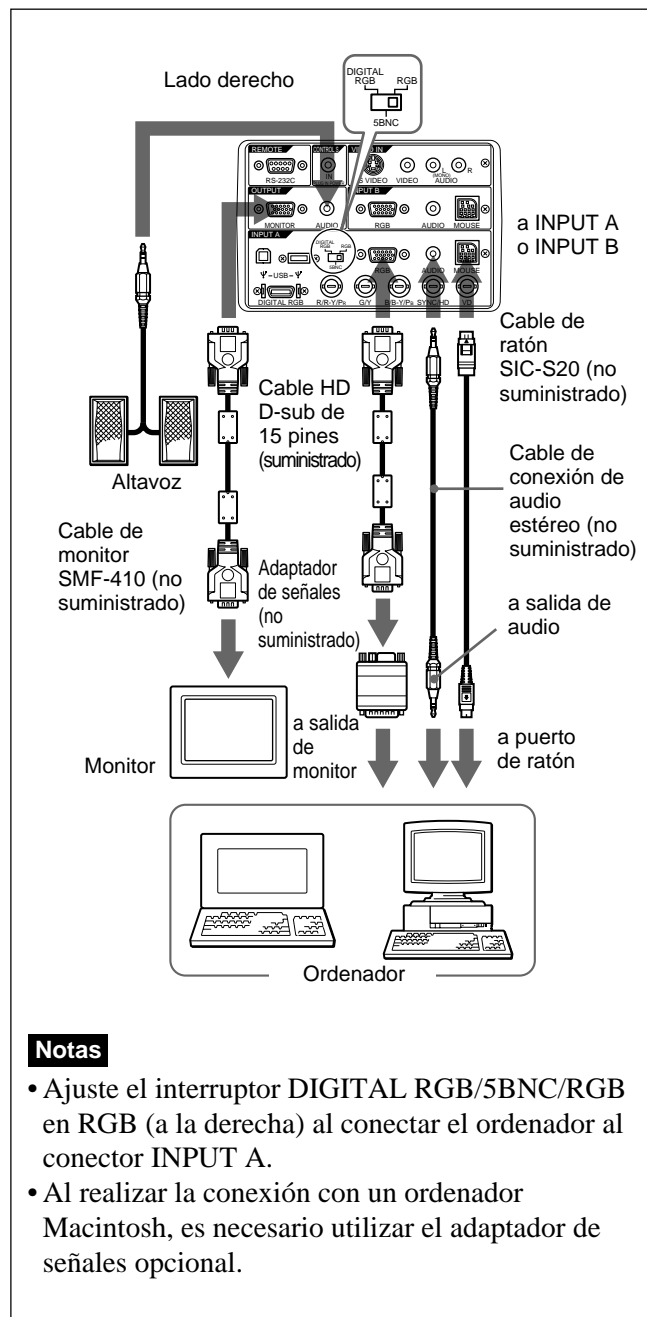
Si se conecta con un ordenador IBM PC/ AT compatible



Nota

Ajuste el interruptor DIGITAL RGB/5BNC/RGB en RGB (a la derecha) al conectar el ordenador al conector INPUT A.

Si se conecta con un ordenador Macintosh

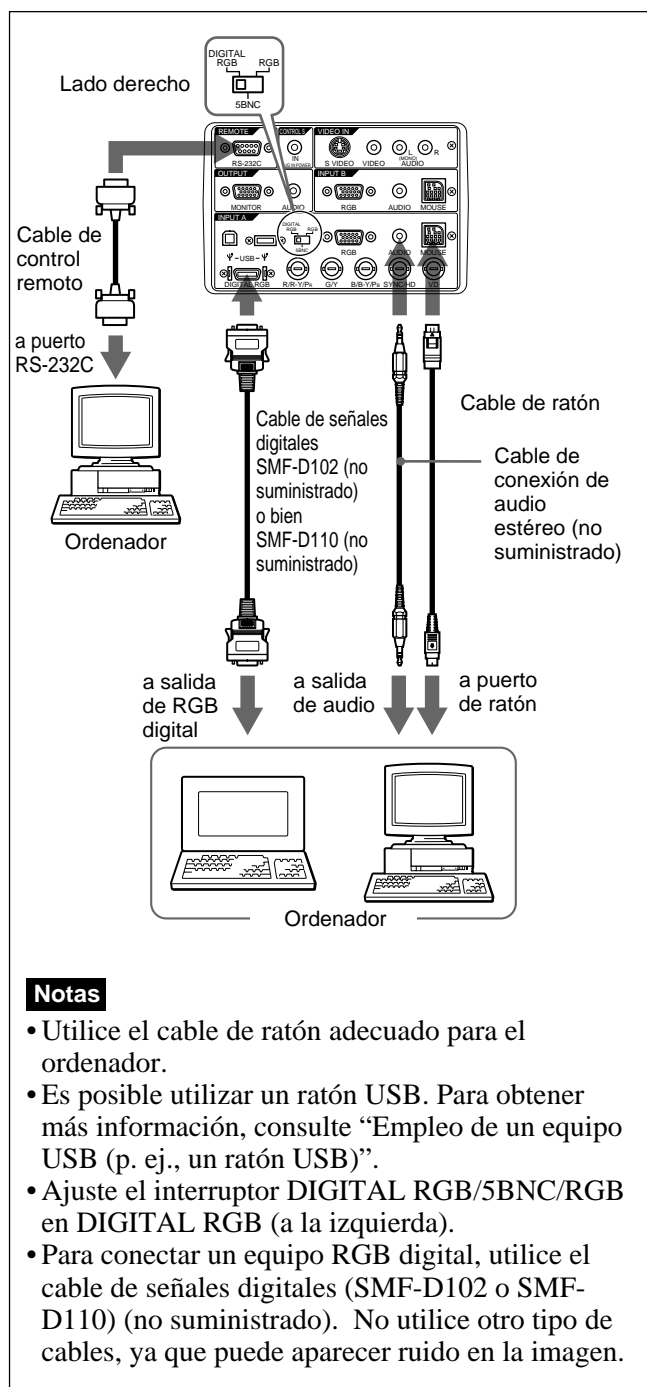


Notas

- Ajuste el interruptor DIGITAL RGB/5BNC/RGB en RGB (a la derecha) al conectar el ordenador al conector INPUT A.
- Al realizar la conexión con un ordenador Macintosh, es necesario utilizar el adaptador de señales opcional.

Uso del conector DIGITAL RGB (TMDS)

Conecte el ordenador al conector DIGITAL RGB (TMDS) del panel de conectores.



Notas

- Utilice el cable de ratón adecuado para el ordenador.
- Es posible utilizar un ratón USB. Para obtener más información, consulte “Empleo de un equipo USB (p. ej., un ratón USB)”.
- Ajuste el interruptor DIGITAL RGB/5BNC/RGB en DIGITAL RGB (a la izquierda).
- Para conectar un equipo RGB digital, utilice el cable de señales digitales (SMF-D102 o SMF-D110) (no suministrado). No utilice otro tipo de cables, ya que puede aparecer ruido en la imagen.

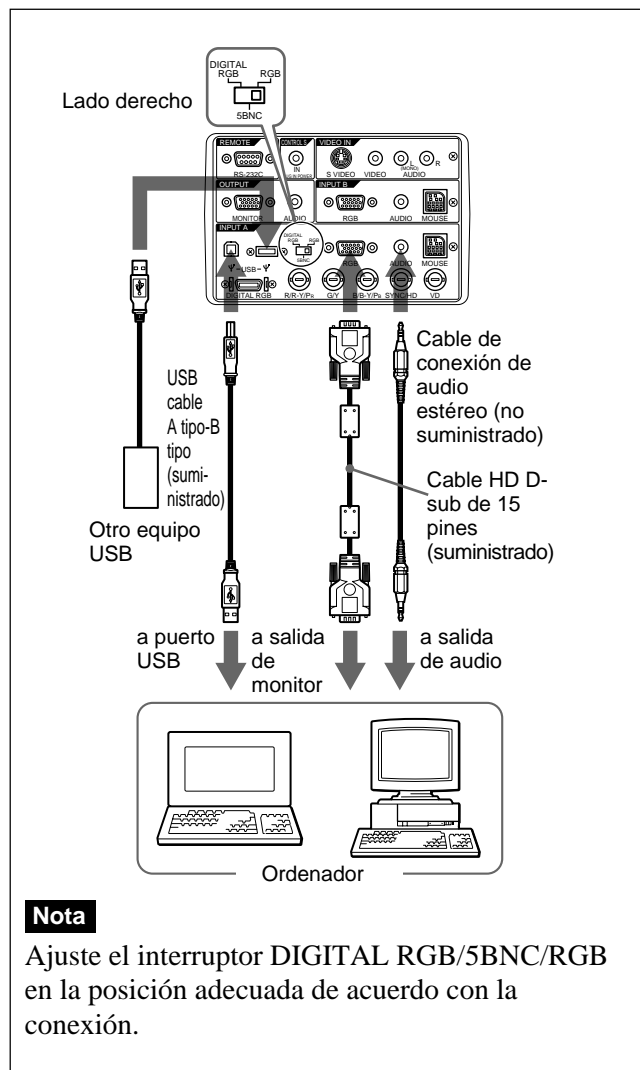
Nota

Si utiliza el conector DIGITAL RGB (TMDS), el conector MONITOR no enviará señales de imagen.

Empleo de un equipo USB (p. ej., un ratón USB)

Conecte el equipo USB al conector USB del panel de conectores.

Es posible conectar el ordenador al proyector a través del conector RGB, el conector 5BNC o el conector DIGITAL RGB (en el siguiente ejemplo se emplea el conector RGB).



Nota

Ajuste el interruptor DIGITAL RGB/5BNC/RGB en la posición adecuada de acuerdo con la conexión.

Sobre la función USB

Al conectar por primera vez el proyector a un ordenador mediante el cable USB, dicho ordenador reconocerá automáticamente los siguientes dispositivos.

- 1 Hub USB (uso general)
- 2 Dispositivo de interfaz USB (función de ratón inalámbrico)
- 3 Dispositivo de interfaz USB (función de control de proyector)

El ordenador también reconoce el dispositivo conectado al conector de flujo de entrada del proyector.

Entorno operativo recomendado

Si utiliza la función USB, conecte el ordenador como muestra la anterior ilustración.

Este software de aplicación y la función USB pueden utilizarse en un ordenador que disponga del modelo preinstalado de Windows 98, Windows 98 SE o Windows 2000.

Notas

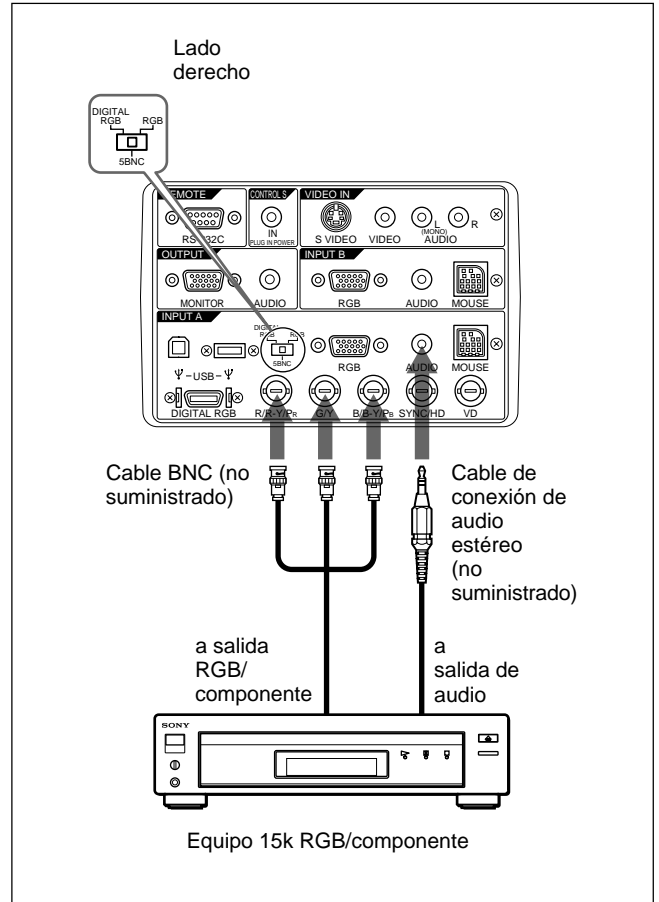
- Puesto que el proyector reconoce el ratón USB cuando el ordenador está conectado al conector USB, no conecte nada al conector MOUSE.
- El ordenador puede no iniciarse correctamente cuando esté conectado al proyector mediante el cable USB. En este caso, desconecte el cable USB, reinicie el ordenador y, a continuación, conecte éste al proyector con el cable USB.
- No se garantiza el funcionamiento de este proyector en el modo de reposo, espera. Cuando utilice el proyector en el modo de reposo, espera, desconéctelo del puerto USB del ordenador.
- No se garantizan las operaciones con todos los entornos informáticos recomendados.

Conexión con una videograbadora/ equipo 15k RGB/componente

En esta sección se describe cómo conectar el proyector con una videograbadora, altavoces activos externos y equipos de 15k RGB/componente. Consulte también el manual de instrucciones del equipo que vaya a conectar.

Al realizar conexiones, asegúrese de:

- apagar todos los equipos antes de realizar cualquier conexión.
- utilizar cables adecuados para cada conexión.
- insertar los enchufes de los cables correctamente. Si no inserta los enchufes por completo, puede producirse ruido. Para desconectar un cable, asegúrese de tirar del enchufe, no del propio cable.

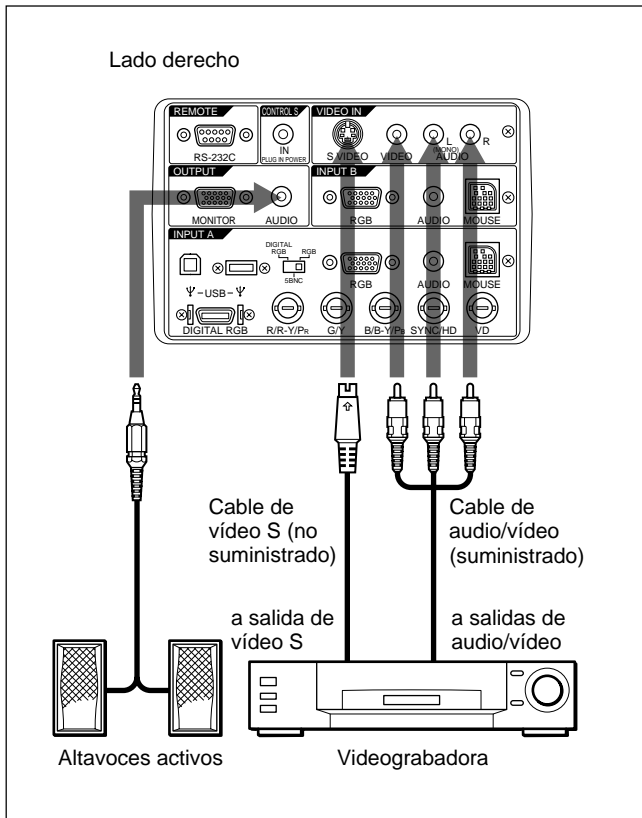


Notas

- Ajuste la relación de aspecto mediante ASPECTO en el menú AJUS ENTRAD en función de la señal de entrada.
- Para conectar un equipo de 15k RGB/componente, seleccione ORDENADOR/COMPONENTE/DTV YPbPr/DTV GBR en ENTRAD A del menú AJUSTE de acuerdo con la señal de entrada.
- Utilice la señal de sincronización compuesta al introducir la señal de sincronización externa del equipo de 15k RGB/componente.

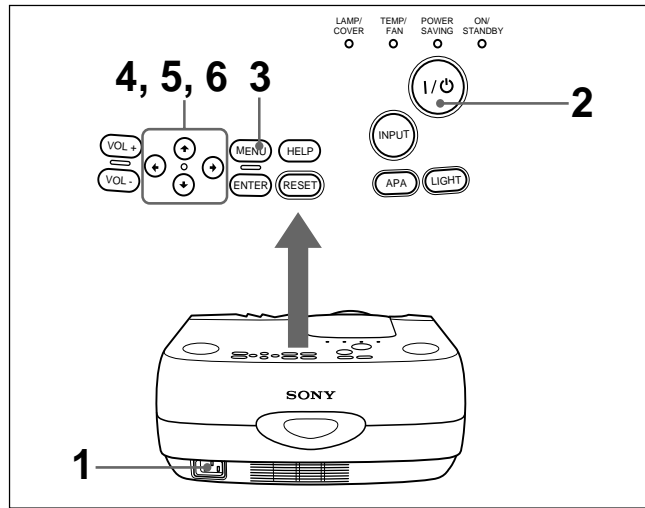
Conexión de un dispositivo de alta definición 1035/60i

Puesto que la relación de pantalla de una imagen de alta definición es de 16:9 y se visualizan 576 líneas en la dirección vertical, la imagen mostrada no es de alta definición.



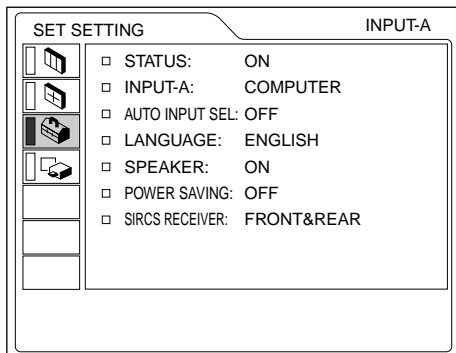
Selección del idioma del menú

Es posible seleccionar el idioma que va a utilizarse para el menú y otras indicaciones en pantalla. El ajuste de fábrica es ENGLISH.



- 1 Enchufe el cable de alimentación de CA en la toma mural.
- 2 Pulse la tecla I / $\text{\textcircled{P}}$ para activar la alimentación.
- 3 Pulse la tecla MENU.
Aparecerá el menú.
- 4 Seleccione el icono del menú SET SETTING (el tercero) mediante la tecla \uparrow o \downarrow , a continuación, pulse la tecla \rightarrow o ENTER.

Aparecerá el menú SET SETTING.



- 5 Seleccione LANGUAGE con la tecla \uparrow o \downarrow y, a continuación, pulse la tecla \rightarrow o ENTER.
- 6 Seleccione el idioma que desee con la tecla \uparrow o \downarrow y, a continuación, pulse la tecla \leftarrow o ENTER.

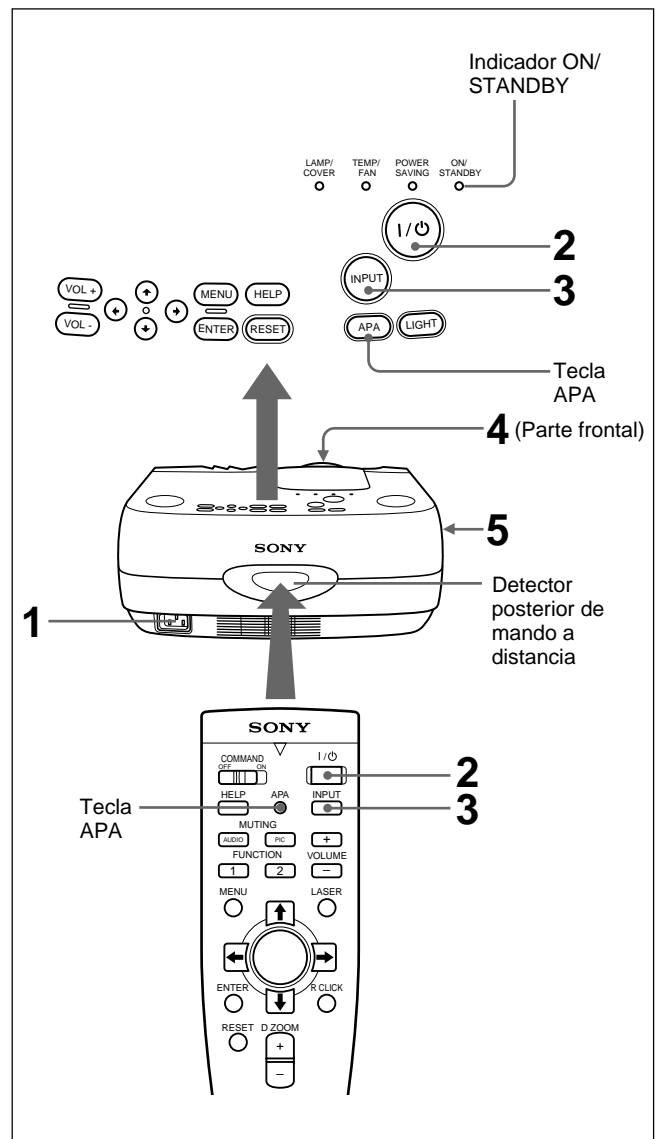
El menú aparecerá en el idioma seleccionado.

Para que desaparezca el menú

Pulse la tecla MENU.

El menú desaparecerá automáticamente si no pulsa ninguna tecla durante un minuto.

Proyección



- 1 Una vez conectados todos los equipos por completo, enchufe el cable de alimentación de CA en la toma mural.

El indicador ON/STANDBY se ilumina en color rojo y el proyector entra en el modo de espera.

- 2 Pulse la tecla I / $\text{\textcircled{P}}$.

El indicador ON/STANDBY se ilumina en color verde.

- 3 Encienda el equipo conectado al proyector. Pulse la tecla INPUT para seleccionar la fuente de entrada.

ENTRAD A: Selecciona señales de audio y vídeo del conector INPUT A.

ENTRAD B: Selecciona señales de audio y vídeo del conector INPUT B.

VIDEO: selecciona señales de audio y vídeo introducidas desde las tomas AUDIO/VIDEO (VIDEO IN).

S-VIDEO: Selecciona señales de audio y vídeo introducidas desde las tomas AUDIO/S VIDEO (VIDEO IN).

Nota

Las tomas AUDIO de los conectores VIDEO IN se utilizan como salidas de audio de VIDEO y S-VIDEO.

4 Gire el anillo de zoom para ajustar el tamaño de la imagen.

5 Gire el anillo de enfoque para ajustar el enfoque.

Nota

Si mira al objetivo mientras proyecta, puede dañarse los ojos.

Para	Pulse
Ajustar el volumen	las teclas VOL +/- del panel de control o las teclas VOLUME +/- del mando a distancia.
Desactivar el sonido	la tecla AUDIO MUTING del mando a distancia. Para recuperar el sonido, vuelva a pulsar la tecla AUDIO MUTING o pulse la tecla VOL + del panel de control o la tecla VOLUME + del mando a distancia.
Desactivar la imagen	la tecla PIC MUTING del mando a distancia. Para recuperar la imagen, vuelva a pulsar la tecla PIC MUTING.

Para obtener imágenes con la mayor nitidez posible

Es posible obtener imágenes con la calidad adecuada al introducirse una señal desde el ordenador. Pulse la tecla APA.

La imagen se ajusta automáticamente para proyectarse con nitidez.

Notas

- Ajuste la señal cuando se muestra una imagen fija en pantalla.

- Pulse la tecla APA cuando aparezca la imagen completa en pantalla. Si hay bordes negros alrededor de la imagen, la función APA no se activará adecuadamente y la imagen puede extenderse más allá de la pantalla.
- Si cambia la señal de entrada o vuelve a conectar un ordenador, vuelva a pulsar la tecla APA para obtener la imagen apropiada.
- La pantalla muestra “AJUSTANDO”. Vuelva a pulsar la tecla APA durante el ajuste para recuperar la pantalla original.
- La pantalla muestra “Completado!” cuando la imagen se ha ajustado adecuadamente. Es posible que la imagen no se ajuste apropiadamente en función de los tipos de señales de entrada.
- Ajuste los elementos en el menú AJUS ENTRAD cuando ajuste la imagen manualmente.
Para más información, consulte la página 22 (ES).

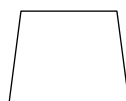
Para corregir la distorsión trapezoidal

Si la imagen proyectada presenta distorsión trapezoidal, cambie la posición/altura del proyector moviendo el ajustador.

Para más información sobre “Cómo utilizar el ajustador”, consulte la página 8 (ES).

Si la imagen sigue apareciendo con distorsión trapezoidal, corríjala en DIST TRAP DIG en el menú AJUSTE INST.

Si la longitud del borde inferior es mayor que la del superior como se muestra en la siguiente figura:



Ajuste el valor en negativo.

Si la longitud del borde superior es mayor que la del inferior como se muestra en la siguiente figura:



Ajuste el valor en positivo.

Para más información sobre “DIST TRAP DIG”, consulte la página 25 (ES).

Para desactivar la alimentación

- 1 Pulse la tecla I / ⏻.

“DESACTIVAR?” aparecerá en pantalla.

Nota

El mensaje desaparecerá si pulsa cualquier tecla excepto I / ⏻, o si no pulsa ninguna durante cinco segundos.

- 2 Pulse la tecla I / ⏻.

El indicador ON/STANDBY parpadea en color verde y el ventilador sigue en funcionamiento durante aproximadamente 120 segundos para reducir el recalentamiento interno. Además, el indicador ON/STANDBY parpadea rápidamente durante los primeros 40 segundos. Durante este espacio de tiempo, no será posible volver a activar la alimentación con la tecla I / ⏻.

- 3 Desenchufe el cable de alimentación de CA de la toma mural una vez que el ventilador se haya detenido y que el indicador ON/STANDBY se ilumine en color rojo.

Si no puede confirmar el mensaje en pantalla

Si no puede confirmar el mensaje en pantalla en una determinada condición, puede desactivar la alimentación manteniendo pulsada la tecla I / ⏻ durante un segundo aproximadamente.

Nota

No desenchufe el cable de alimentación de CA mientras el ventilador se encuentre en funcionamiento, ya que en caso contrario, dicho ventilador se detendrá aunque el recalentamiento interno sea alto, pudiendo producirse averías en el proyector.

Limpieza del filtro de aire

Limpie el filtro de aire cada 300 horas para garantizar un nivel de rendimiento óptimo.

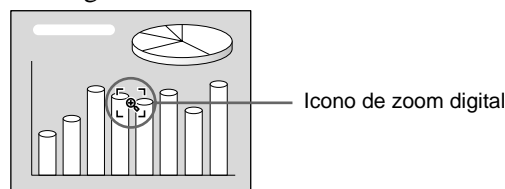
Herramientas efectivas para la presentación

Para aumentar la imagen (función de zoom digital)

Es posible seleccionar el punto de la imagen que desee aumentar.

- 1 Pulse la tecla D ZOOM + del mando a distancia.

El icono de zoom digital aparecerá en el centro de la imagen.

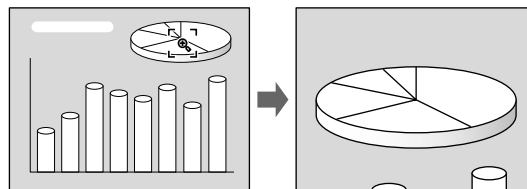


- 2 Desplace el icono hasta el punto de la imagen que desee aumentar. Utilice las teclas de flecha (↑/↓/←/→) para desplazar el icono.

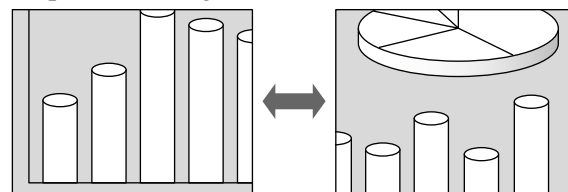
- 3 Vuelva a pulsar la tecla D ZOOM +.

La imagen en la que se encuentre el icono aumentará.

Si pulsa la tecla + varias veces, el tamaño de la imagen aumentará. (relación de aumento: máx. 4 veces).



Utilice las teclas de flecha (↑/↓/←/→) para desplazar la imagen aumentada.



Para que la imagen recupere su tamaño original

Pulse la tecla D ZOOM – del mando a distancia.

Para emplear la función de puntero láser

Pulse la tecla LASER del mando a distancia.

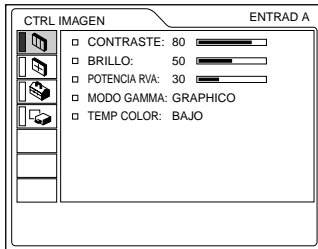
Aparecerá el puntero láser. El puntero resulta útil para indicar determinados puntos en pantalla.

Uso del MENU

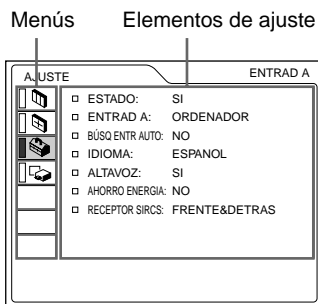
El proyector está equipado con un menú en pantalla para realizar diversos ajustes.

Para seleccionar el idioma empleado en el menú, consulte la página 24 (ES).

- 1 Pulse la tecla MENU.
Aparece la pantalla de menú.
La barra del icono del menú actualmente seleccionado aparece resaltada en amarillo.



- 2 Emplee la tecla ↑ o ↓ para seleccionar un menú y, a continuación, pulse la tecla → o ENTER.
Aparece el menú seleccionado.



- 3 Realice los ajustes de los elementos.
Para obtener información detallada sobre el ajuste de los distintos elementos, consulte las páginas del menú correspondiente.

Para que la pantalla de menú desaparezca

Pulse la tecla MENU.
La pantalla de menú desaparecerá automáticamente si no pulsa ninguna tecla durante un minuto.

Para recuperar los valores ajustados de fábrica de elementos ya ajustados

Pulse la tecla RESET.
La pantalla muestra “Completado!” y los ajustes que aparecen en pantalla recuperarán los valores ajustados de fábrica.
Los elementos que pueden restaurarse son:
• “CONTRASTE”, “BRILLO”, “COLOR”, “TONALIDAD”, “NITIDEZ” y “POTENCIA RVA” del menú CTRL IMAGEN.

- “FASE PUNTO”, “TAMANO H” y “DESPLAZ” del menú AJUS ENTRAD.

Acerca de la memoria de los ajustes

Los ajustes se almacenan automáticamente en la memoria del proyector.

Si no se introduce ninguna señal

Cuando no entra ninguna señal, aparece “SIN ENTRADA-Imposible ajustar este parametro.” en la pantalla y no podrá ajustar ninguno de los elementos.

Menú CTRL IMAGEN

El menú CTRL (control) IMAGEN se utiliza para ajustar la imagen.
Los elementos que no pueden ajustarse en función de la señal de entrada no aparecen en el menú.

Si se introduce la señal de vídeo

Si se introduce la señal RGB

Operación

1. **Seleccione un elemento**
Emplee la tecla ↑ o ↓ para seleccionar el elemento y, a continuación, pulse la tecla → o ENTER.
2. **Ajuste un elemento**
 - Al cambiar el nivel de ajuste:
Para que el número aumente, pulse la tecla ↑ o →.

Para que el número disminuya, pulse la tecla ↓ o ←.

Pulse la tecla ENTER para recuperar la pantalla original.

- Al cambiar el ajuste:
Pulse la tecla ↑ o ↓ para cambiar el ajuste.
Pulse la tecla ENTER o ← para recuperar la pantalla original.

CONTRASTE

Ajusta el contraste de la imagen.
Cuanto mayor sea el ajuste, mayor será el contraste.
Cuanto menor sea el ajuste, menor será el contraste.

BRILLO

Ajusta el brillo de la imagen.
Cuanto mayor sea el ajuste, mayor será el brillo.
Cuanto menor sea el ajuste, menor será el brillo.

COLOR

Ajusta la intensidad del color.
Cuanto mayor sea el ajuste, mayor será la intensidad.
Cuanto menor sea el ajuste, menor será la intensidad.

TONALIDAD

Ajusta los tonos del color.
Cuanto mayor es el ajuste, la imagen adquiere un tono verdoso.
Cuanto menor es el ajuste, la imagen adquiere un tono púrpura.

NITIDEZ

Ajusta la nitidez de la imagen.
Cuanto mayor sea el ajuste, mayor será la nitidez de la imagen.
Cuanto menor sea el ajuste, la imagen aparecerá con mayor suavidad.

POTENCIA RVA

Ajusta la nitidez de la imagen cuando se introducen señales RVA (RGB).
Cuanto mayor sea el ajuste, más nítida será la imagen.
Cuanto menor sea el ajuste, más suave aparecerá la imagen.

IMAG DI (dinámica)

Enfatiza el color negro.
SI: Enfatiza el color negro para producir imágenes “dinámicas” y marcadas.

NO: Reproduce con precisión las partes oscuras de la imagen, de acuerdo con la señal fuente.

MODO GAMMA

Selecciona una curva de corrección gamma.

GRAPHICO: Mejora la reproducción de tonos medios. Es posible reproducir fotografías en tonos naturales.

TEXTO: Contrasta el blanco y el negro. Adecuado para imágenes que contienen mucho texto.

TEMP COLOR

Ajusta la temperatura del color.

ALTO: Hace que el color blanco adquiera un tono azulado.

BAJO: Hace que el color blanco adquiera un tono rojizo.

SIST (sistema) COLOR

Selecciona el sistema de color de la señal de entrada.

AUTO: Selecciona automáticamente una de las siguientes señales: NTSC^{3.58}, PAL, SECAM, NTSC^{4.43}.

PAL-M/N: Selecciona automáticamente una de las siguientes señales: PAL-M/PAL-N, NTSC^{3.58}.

Normalmente, ajústelo en AUTO.

Si la imagen se distorsiona o aparece sin color, seleccione el sistema de color en función de la señal de entrada.

Señales de entrada y elementos de ajuste/ajustables

Elemento	Señal de entrada				
	Vídeo o vídeo S (Y/C)	Componente	HDTV	RVA ¹⁾	Blanco y negro
CONTRASTE	●	●	●	●	●
BRILLO	●	●	●	●	●
COLOR	●	●	●	–	–
TONALIDAD	● <small>(sólo NTSC3.58/4.43)</small>	●	●	–	–
NITIDEZ	●	●	●	–	●
POTENCIA RVA	–	–	–	●	–
IMAG DI	●	● <small>(sólo 15k 60/50)</small>	–	–	●
MODO GAMMA	–	–	–	●	–
TEMP COLOR	●	●	●	●	●
SIST COLOR	●	–	–	–	●

● : Ajustable/puede ajustarse

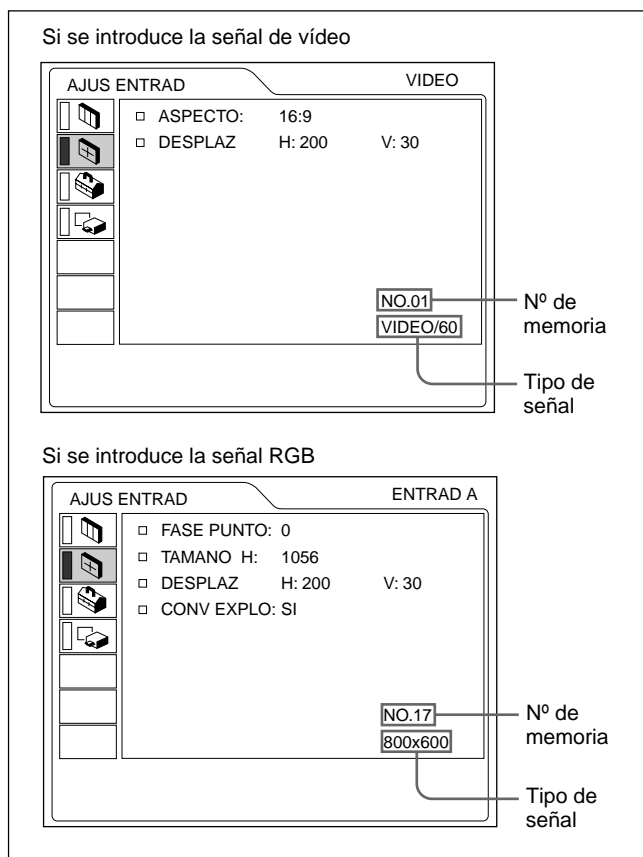
– : No ajustable/no puede ajustarse

1) Señales RVA de un ordenador

Menú AJUS ENTRAD

El menú AJUS ENTRAD se utiliza para ajustar la señal de entrada.

Los elementos que no pueden ajustarse en función de la señal de entrada no aparecen en el menú.



Operación

1. Seleccione un elemento

Utilice la tecla **↑** o **↓** para seleccionar el elemento y, a continuación, pulse la tecla **→** o ENTER.

2. Ajuste un elemento

- Al cambiar el nivel de ajuste:
 - Para que el número aumente, pulse la tecla **↑** o **→**.
 - Para que el número disminuya, pulse la tecla **↓** o **←**.
 - Pulse la tecla ENTER para recuperar la pantalla original.
- Al cambiar el ajuste:
 - Pulse la tecla **↑** o **↓** para cambiar el ajuste.
 - Pulse la tecla ENTER o **←** para recuperar la pantalla original.

FASE PUNTO

Ajusta la fase de puntos del panel LCD y la señal introducida desde el conector INPUT A/B. Ajuste la imagen con mayor precisión una vez ajustada con la tecla APA.

Ajuste la imagen donde aparezca con mayor nitidez.

TAMANO H

Ajusta el tamaño horizontal de la imagen introducida desde el conector INPUT A/B.

Cuanto mayor sea el ajuste, mayor será el tamaño horizontal de la imagen.

Cuanto menor sea el ajuste, menor será el tamaño horizontal de la imagen. Ajuste el parámetro en función de los puntos de la señal de entrada. Para obtener información detallada sobre el valor adecuado para las señales predeterminadas, consulte la página 23 (ES).

DESPLAZ

Ajusta la posición de la imagen introducida mediante los conectores INPUT A/B o las tomas VIDEO IN.

H ajusta la posición horizontal de la imagen.

V ajusta la posición vertical de la imagen.

Al aumentar el ajuste de H, la imagen se desplazará hacia la derecha, mientras que al disminuir, la imagen se desplazará hacia la izquierda.

Al aumentar el ajuste de V, la imagen se desplazará hacia arriba, mientras que al disminuir, la imagen se desplazará hacia abajo.

Utilice la tecla **←** o **→** para ajustar la posición horizontal, y las teclas **↑** y **↓** para la posición vertical.

ASPECTO

Ajusta la relación de aspecto de la imagen.

Al introducir la señal 16:9 (comprimida) de un equipo como un reproductor de DVD, ajústelo en 16:9.

4:3 : Si se introduce la imagen de relación de 4:3.

16:9 : Si se introduce la imagen de relación de 16:9 (comprimida).

CONV EXPLO (convertidor de exploración)

Convierte la señal para mostrar la imagen en función del tamaño de la pantalla.

SI: Muestra la imagen en función del tamaño de la pantalla. La imagen perderá un poco de nitidez.

NO: Muestra la imagen al hacer coincidir un pixel del elemento de imagen introducido con el de la pantalla LCD. La imagen será nítida pero el tamaño de la imagen será menor.

Nota

Si se introduce la señal XGA o SXGA, este elemento no aparecerá.

Señales de entrada y elementos de ajuste/ajustables

Elemento	Señal de entrada				
	Vídeo o vídeo S (Y/C)	15k RGB/Componente	HDTV	RVA ¹⁾	Blanco y negro
FASE PUNTO	–	–	●	●	–
TAMANO H	–	–	●	●	–
DESPLAZ	●	●	●	●	●
ASPECTO	●	●	–	–	●
CONV EXPLO	–	–	–	● (sólo inferior SVGA)	–

● : Ajustable/puede ajustarse

– : No ajustable/no puede ajustarse

Acerca del número de memoria predeterminada

Este proyector dispone de 44 tipos de datos predeterminados para señales de entrada (la memoria predeterminada). El número de memoria de la señal de entrada actual y el tipo de señal aparecen al introducirse la señal predeterminada. Este proyector detecta automáticamente el tipo de señal. Si la señal está registrada en la memoria predeterminada, aparecerá una imagen adecuada en pantalla en función del tipo de señal. Es posible ajustar la imagen mediante el menú AJUS ENTRAD.

Este proyector también dispone de 20 tipos de memorias de usuario para cada ENTRAD A/B. Si se introduce una señal no predeterminada por primera vez, el número de memoria aparecerá como 0. Si la señal de entrada está ajustada en el menú AJUS ENTRAD, el ajuste mediante ENTRAD A/B se almacenará. Si hay registradas más de 20 memorias de usuario para cada ENTRAD A/B, la memoria más reciente se almacenará sobre la más antigua.

Señales predeterminadas

Número de memoria	Señal predeterminada	fH (kHz)	fV (Hz)	Sync	TAMANO H	
1	Video de 60 Hz	15,734	59,940	Neg H Neg V		
2	Video de 50 Hz	15,625	50,000	Neg H Neg V		
3	15k RGB/componente de 60 Hz	15,734	59,940	S en V/A o		
4	15k RGB/componente de 50 Hz	15,625	50,000	Sincronización		
5	HDTV	33,750	60,000	compuesta		
6	640 × 350	Modo VGA 1	31,469	70,086	Pos H Neg V	800
7		VGA VESA ²⁾ 85 Hz	37,861	85,080	Pos H Neg V	832
8	640 × 400	PC-9801 ³⁾ Normal	24,823	56,416	Neg H Neg V	848
9		Modo VGA 2	31,469	70,086	Neg H Pos V	800
10		VGA VESA 85 Hz	37,861	85,080	Neg H Pos V	832
11	640 × 480	Modo VGA 3	31,469	59,940	Neg H Neg V	800
12		Macintosh 13"	35,000	66,667	Neg H Neg V	864
13		VGA VESA 72 Hz	37,861	72,809	Neg H Neg V	832
14		VGA VESA 75 Hz	37,500	75,000	Neg H Neg V	840
15		VGA VESA 85 Hz	43,269	85,008	Neg H Neg V	832
16	800 × 600	SVGA VESA 56 Hz	35,156	56,250	Pos H Pos V	1024
17		SVGA VESA 60 Hz	37,879	60,317	Pos H Pos V	1056
18		SVGA VESA 72 Hz	48,077	72,188	Pos H Pos V	1040
19		SVGA VESA 75 Hz	46,875	75,000	Pos H Pos V	1056
20		SVGA VESA 85 Hz	53,674	85,061	Pos H Pos V	1048
21	832 × 624	Macintosh 16"	49,724	74,550	Neg H Neg V	1152
22	1024 × 768	XGA VESA 43 Hz	35,524	43,479	Pos H Pos V	1264
23		XGA VESA 60 Hz	48,363	60,004	Neg H Neg V	1344
24		XGA VESA 70 Hz	56,476	69,955	Neg H Neg V	1328
25		XGA VESA 75 Hz	60,023	75,029	Pos H Pos V	1312
26		XGA VESA 85 Hz	68,677	84,997	Pos H Pos V	1376
27	1152 × 864	SXGA VESA 70 Hz	63,995	70,016	Pos H Pos V	1472
28		SXGA VESA 75 Hz	67,500	75,000	Pos H Pos V	1600
29		SXGA VESA 85 Hz	77,487	85,057	Pos H Pos V	1568
30	1152 × 900	Sunmicro LO	61,795	65,960	Neg H Neg V	1504
31		Sunmicro HI	71,713	76,047	Sincronización compuesta	1472
32	1280 × 960	SXGA VESA 60 Hz	60,000	60,000	Pos H Pos V	1800
33		SXGA VESA 75 Hz	75,000	75,000	Pos H Pos V	1728
34	1280 × 1024	SXGA VESA 43 Hz	46,433	43,436	Pos H Pos V	1696
35		SGI-5	53,316	50,062	S en V	1680
36		SXGA VESA 60 Hz	63,974	60,013	Pos H Pos V	1696
37		SXGA VESA 75 Hz	79,976	75,025	Pos H Pos V	1688
38		SXGA VESA 85 Hz	91,146	85,024	Pos H Pos V	1728
43	PC Component 480/60P	480/60P (Frecuencia doble NTSC)	31,470	60,000	S en V	
44	575/50P	575/50P (Frecuencia doble PAL)	31,250	50,000	S en V	
45	1080/50I	1080/50I	28,130	50,000		
46	1080& 1152/60	1080/50I-2	31,250	50,000		
47	720/60P	720/60P	45,000	60,000		
48	720/50P	720/50P	37,500	50,000		

1) Señales RVA de un ordenador

2) VESA es una marca comercial registrada de Video Electronics Standard Association.

3) PC-98 es una marca comercial registrada de NEC Corporation.

Puesto que se recuperan de la memoria los datos predeterminados sobre las siguientes señales, es posible utilizar dichos datos ajustando TAMANO H. Realice el ajuste con precisión ajustando DESPLAZ.

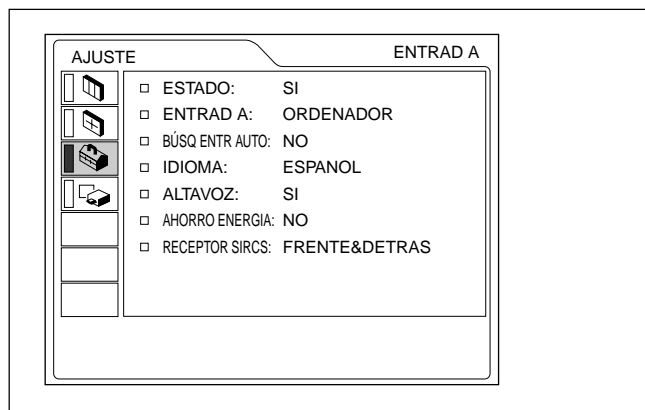
Señal	Número de memoria	TAMANO H
Super Mac-2	23	1312
SGL-1	23	1320
Macintosh 19"	25	1328
Macintosh 21"	28	1456
Sony News	36	1708
PC-9821 1280 × 1024	36	1600
WS Sunmicro	37	1664

Nota

Si la relación de aspecto de la señal de entrada no es de 4:3, parte de la pantalla aparecerá en negro.

Menú AJUSTE

El menú AJUSTE se utiliza para cambiar los ajustes del proyector.



Operación

1. Seleccione un elemento

Utilice la tecla **↑** o **↓** para seleccionar el elemento y pulse la tecla **→** o ENTER.

2. Cambie el ajuste

Pulse la tecla **↑** o **↓** para cambiar el ajuste.

Para recuperar la pantalla original, pulse la tecla ENTER o **←**.

ESTADO (indicación en pantalla)

Define la indicación en pantalla.

SI: Muestra todas las indicaciones en pantalla.

NO: Desactiva las indicaciones en pantalla, excepto los menús, el mensaje que aparece al desactivar la alimentación y los mensajes de aviso.

Para obtener información detallada sobre los mensajes de aviso, consulte la página 33 (ES).

ENTRAD A

Selecciona la señal de ordenador, componente, DTV YPbPr o DTV GBR introducida desde el conector 5BNC.

Nota

Si el ajuste no es correcto, la pantalla mostrará el mensaje "Compruebe ajuste ENTRAD A." y el color de la imagen será anormal o ésta no se mostrará.

BÚSQ ENTR AUTO

Si se ajusta en SI, el proyector detectará las señales de entrada en el siguiente orden: ENTRAD A/ENTRAD B/VIDEO/S-VIDEO. Indica el canal de entrada al activar la alimentación o al pulsar la tecla INPUT.

IDIOMA

Selecciona el idioma empleado en el menú y en las indicaciones en pantalla.

Los idiomas disponibles son inglés, francés, alemán, italiano, español, japonés y chino.

ALTAVOZ

Ajústelo en NO para desactivar el sonido de los altavoces internos. Si lo ajusta en NO, la pantalla mostrará "ALTAVOZ NO" al activar la alimentación.

AHORRO ENERGIA

Si lo ajusta en SI, el proyector entra en el modo de ahorro de energía si no se introduce ninguna señal durante 10 minutos.

RECEPTOR SIRCS

Selecciona los detectores de mando a distancia (receptor SIRCS) de la parte frontal y posterior del proyector.

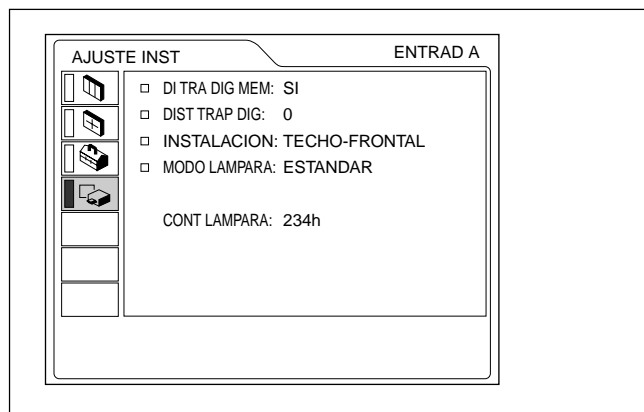
FRENTE&DETRAS: Activa los detectores frontal y posterior.

FRENTE: Activa sólo el detector frontal.

DETRAS: Activa sólo el detector posterior.

Menú AJUSTE INST

El menú AJUSTE INST se utiliza para cambiar los ajustes del proyector.



Operación

1. Seleccione un elemento

Utilice la tecla **↑** o **↓** para seleccionar el elemento y pulse la tecla **→** o **ENTER**.

2. Ajuste un elemento

- Al cambiar el nivel de ajuste:
 - Para que el número aumente, pulse la tecla **↑** o **→**.
 - Para que el número disminuya, pulse la tecla **↓** o **←**.
- Pulse la tecla **ENTER** para recuperar la pantalla original.
- Al cambiar el ajuste:
 - Pulse la tecla **↑** o **↓** para cambiar el ajuste.
 - Pulse la tecla **ENTER** o **←** para recuperar la pantalla original.

DI TRA DIG MEM

SI: Se almacena el ajuste DIST TRAP DIG.

Los datos se recuperan al activar la alimentación del proyector. El ajuste se conservará igual cada vez.

NO: DIST TRAP DIG se reajusta a 0 al activar la alimentación la próxima vez.

DIST TRAP DIG

Corrige la distorsión trapezoidal causada por el ángulo de proyección.

Si el borde inferior es más largo, defina un valor negativo; si el borde superior es más largo, defina un valor positivo para cuadrar la imagen.

INSTALACION

Se ajusta para invertir la imagen en sentido horizontal o vertical.

SUELO-FRONTAL: La imagen no se invierte.

TECHO-FRONTAL: La imagen se invierte en sentido horizontal y vertical.

SUELO-DETRAS: La imagen se invierte en sentido horizontal.

TECHO-DETRAS: La imagen se invierte en sentido vertical.

Nota

En caso de utilizar un espejo, tenga cuidado con la instalación, ya que la imagen puede invertirse.

MODO LAMPARA

Ajusta el brillo de la lámpara en la proyección.

ESTANDAR: Ilumina con un brillo normal.

BAJO: Reduce el ruido del ventilador y el consumo de energía.

En comparación con el ajuste ESTANDAR, el brillo de la imagen proyectada con el ajuste BAJO será bajo. Si ajusta MODO LAMPARA en BAJO, la próxima vez que active la alimentación, la lámpara utilizará el valor ESTANDAR durante el primer minuto, y después se ajustará en BAJO.

CONT LAMPARA

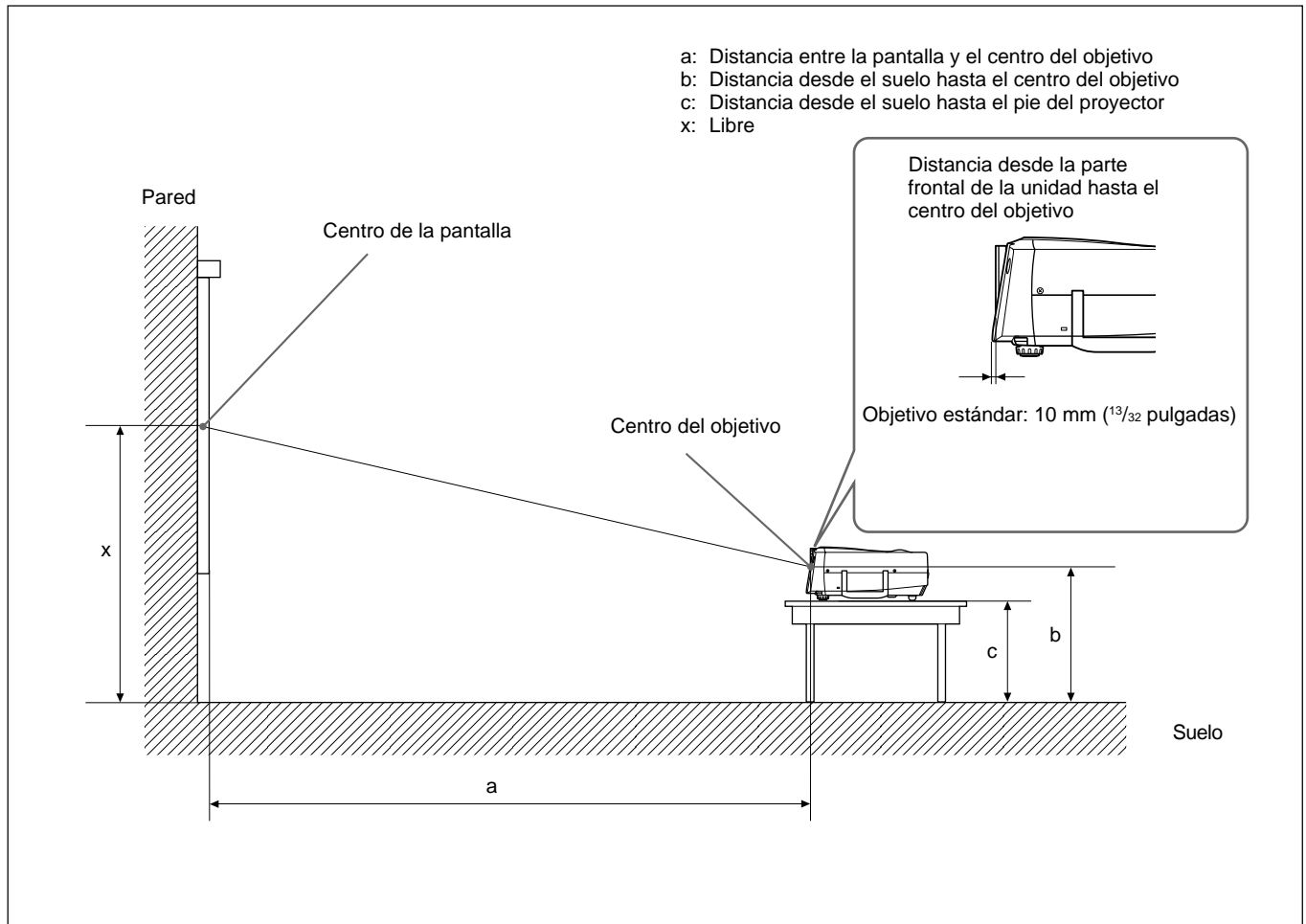
Indica el tiempo que lleva la lámpara encendida.

Nota

Sólo muestra el tiempo. No es posible modificar este valor.

Ejemplos de instalación

Instalación en el suelo



		Unidad: mm (pulgadas)									
Tamaño de la pantalla (pulgadas)		40	60	80	100	120	150	180	200	250	300
a	Mínimo	1490 (58 3/4)	2280 (89 7/8)	3060 (120 1/2)	3850 (151 5/8)	4630 (182 3/8)	5810 (228 7/8)	6990 (275 1/4)	7770 (306)	9740 (383 5/8)	11700 (460 3/4)
	Máximo	1820 (71 3/4)	2780 (109 1/2)	3740 (147 3/8)	4700 (185 1/8)	5660 (222 7/8)	7100 (279 5/8)	8540 (336 3/8)	9500 (374 1/8)	11900 (468 5/8)	14300 (563 1/8)
b		x-305 (12)	x-457 (18)	x-610 (24)	x-762 (30)	x-914 (36)	x-1143 (45)	x-1372 (54)	x-1524 (60)	x-1905 (75 1/8)	x-2286 (90 1/8)
c		x-394 (15 5/8)	x-546 (21 5/8)	x-699 (27 5/8)	x-851 (33 5/8)	x-1003 (39 5/8)	x-1232 (48 5/8)	x-1461 (57 5/8)	x-1613 (63 5/8)	x-1994 (78 5/8)	x-2375 (93 5/8)

Para calcular las medidas de la instalación (unidad: mm)

SS: tamaño diagonal de la pantalla (pulgadas)

$$a \text{ (mínimo)} = \{(SS \times 50,18/1,3102) - 75,10104\} \times 1,025$$

$$a \text{ (máximo)} = \{(SS \times 64,518746/1,3102) - 107,8977\} \times 0,975$$

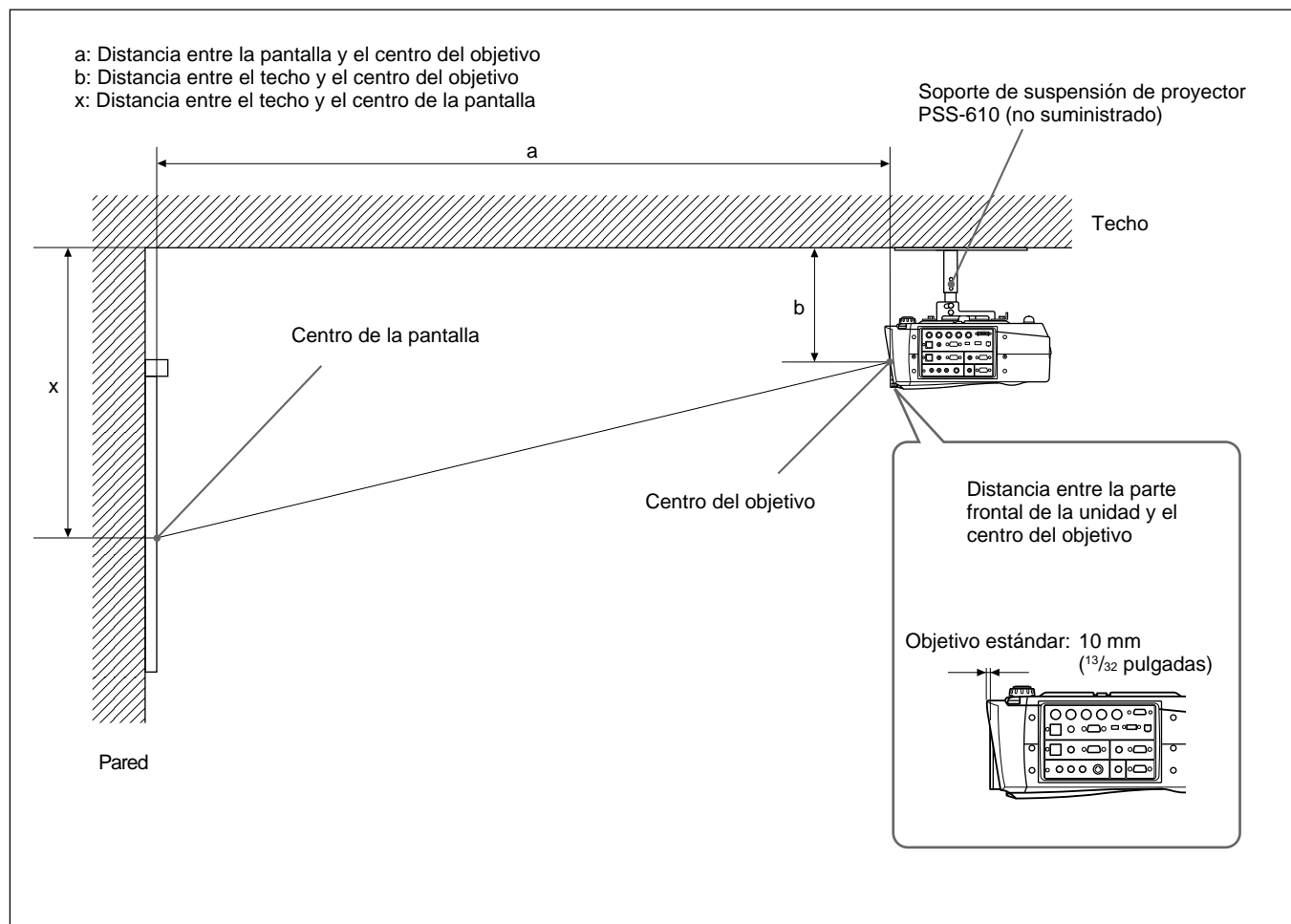
$$b = x - (SS/1,3102 \times 9,984)$$

$$c = x - (SS/1,3102 \times 9,984 + 89)$$

Instalación en el techo

Al instalar el proyector en el techo, utilice el soporte de suspensión de proyector PSS-610.

Para realizar la instalación en el techo, consulte con personal Sony especializado.



Unidad: mm (pulgadas)

Tamaño de la pantalla (pulgadas)		80	100	120	150	180	200	250	300
a	Mínimo	3060 (120 1/2)	3850 (151 5/8)	4630 (182 3/8)	5810 (228 7/8)	6990 (275 1/4)	7770 (306)	9740 (383 5/8)	11700 (460 3/4)
	Máximo	3740 (147 3/8)	4700 (185 1/8)	5660 (222 7/8)	7100 (279 5/8)	8540 (336 3/8)	9500 (374 1/8)	11900 (468 5/8)	14300 (563 1/8)
x		b+610 (24)	b+762 (30)	b+914 (36)	b+1143 (45)	b+1372 (54)	b+1524 (60)	b+1905 (75 1/8)	b+2286 (90 1/8)
b		231/256/281/331/356/381 mm (9 1/8/10 1/8/11 1/8/13 1/8/14 1/8/15 pulgadas) ajustable al utilizar PSS-610							

Para calcular las medidas de la instalación (unidad: mm)

SS: tamaño diagonal de la pantalla (pulgadas)

$$a \text{ (mínimo)} = \{(SS \times 50,18/1,3102) - 75,10104\} \times 1,025$$

$$a \text{ (máximo)} = \{(SS \times 64,518746/1,3102) - 107,8977\} \times 0,975$$

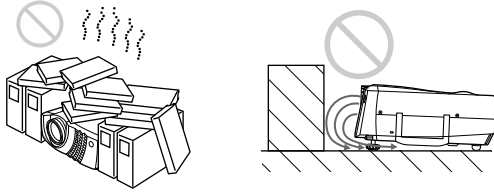
$$x = b + (SS/1,3102 \times 9,984)$$

Notas para la instalación

Instalación inadecuada

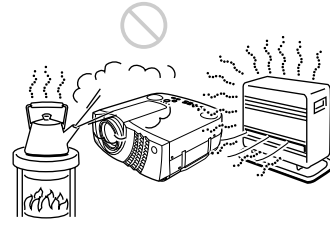
No instale el proyector en las siguientes situaciones. Estas instalaciones pueden producir fallos de funcionamiento o daños al proyector.

Ventilación escasa



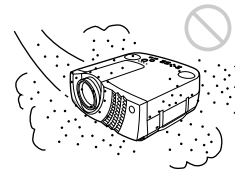
- Permita una circulación de aire adecuada para evitar el recalentamiento interno. No coloque la unidad sobre superficies (alfombras, mantas, etc.) ni cerca de materiales (cortinas, tapices) que puedan bloquear los orificios de ventilación. Si se produce recalentamiento interno debido al bloqueo de los orificios, el sensor de temperatura se activará y aparecerá el mensaje “Temperatura. alta! Apag. 1 min.”. La alimentación se desactivará automáticamente transcurrido un minuto.
- Deje un espacio superior a 30 cm (11 7/8 pulgadas) alrededor de la unidad.
- Procure que los orificios de ventilación no aspiren, por ejemplo, trozos de papel.
- Si coloca algún objeto enfrente de los orificios de ventilación frontales, la exhaustación podría introducirse en el proyector mediante los orificios de ventilación de la parte inferior, causando el aumento de la temperatura interna, que activa el circuito de protección. Instale el proyector de forma que la exhaustación no quede bloqueada.

Calor y humedad excesivos



- Evite instalar la unidad en un lugar donde la temperatura o la humedad sea demasiado alta, o donde la temperatura sea muy baja.
- Para evitar la condensación de humedad, no instale la unidad en un lugar donde la temperatura pueda aumentar rápidamente.

Polvo excesivo

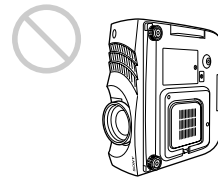


Evite instalar la unidad en lugares en los que haya mucho polvo; en caso contrario, el filtro de aire se obstruirá. Si el polvo bloquea el paso de aire a través del filtro, es posible que el calentamiento interno del proyector aumente. Límpielo periódicamente.

Condiciones de uso inadecuadas

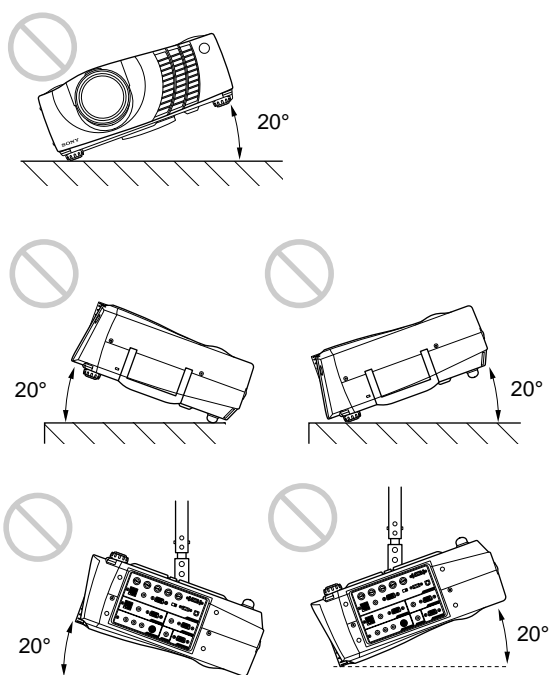
No realice lo siguiente.

No emplee la unidad en posición vertical



Evite utilizar la unidad en posición vertical apoyada sobre su lateral. Pueden producirse fallos de funcionamiento.

Inclinación hacia la parte frontal/posterior y derecha/izquierda



Evite utilizar la unidad con una inclinación superior a 20 grados. Instale la unidad únicamente sobre el suelo o en el techo. Si la instala en otros lugares, pueden producirse fallos de funcionamiento.

Bloqueo de los orificios de ventilación



No utilice nada que pueda cubrir los orificios de ventilación; en caso contrario, es posible que se produzca calentamiento interno.

Mantenimiento

Notas

- Si la lámpara se rompe, consulte con personal Sony especializado.
- Tire de la unidad de lámpara por el asa. Si toca la unidad de lámpara, puede quemarse o lesionarse.
- Cuando extraiga la unidad de lámpara, asegúrese de que la mantiene en posición horizontal y, a continuación, tire hacia arriba. No incline la unidad de lámpara. Si tira de la unidad de lámpara para extraerla mientras está inclinada y si la lámpara se rompe, los trozos pueden esparcirse, causando heridas.

Sustitución de la lámpara

Cuando llegue el momento de sustituir la lámpara, hágalo inmediatamente con una lámpara para proyector LMP-P201 nueva.

La lámpara alcanza el final de su duración transcurridas unas 1500 horas para el ajuste ESTANDAR, o unas 3000 horas para el ajuste BAJO en el modo MODO LAMPARA.

Cuando sea preciso cambiar la lámpara, aparecerá el mensaje “Por favor cambie la lámpara”.

Al sustituir la lámpara después de utilizar el proyector

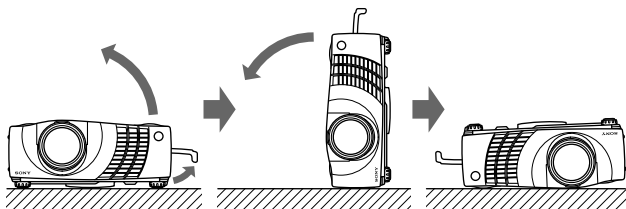
Apague el proyector y desenchufe el cable de alimentación.

Espere al menos una hora para que se enfríe la lámpara.

Nota

La lámpara alcanza una temperatura alta después de apagar el proyector con la tecla I / ⏻. Si toca la lámpara, puede quemarse el dedo. Antes de sustituir la lámpara, espere al menos una hora para que se enfríe.

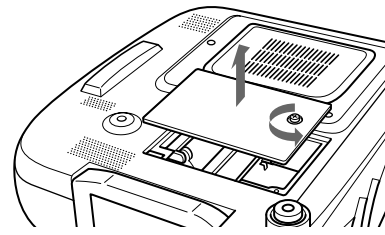
- 1 Coloque una hoja (pañó) de protección debajo del proyector.
Agarre el asa del proyector y gire éste hacia el panel de control como se muestra a continuación.



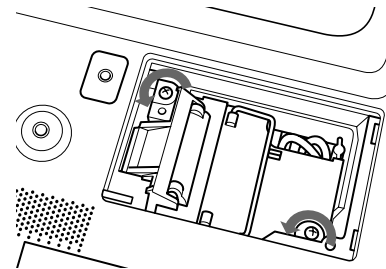
Nota

Al sustituir la lámpara, asegúrese de que el proyector se encuentra sobre una superficie plana y estable.

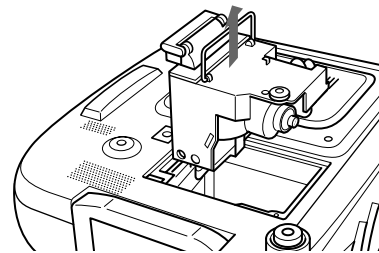
- 2 Abra la cubierta de la lámpara aflojando un tornillo con el destornillador Philips (suministrado con la lámpara para proyector LMP-P201).



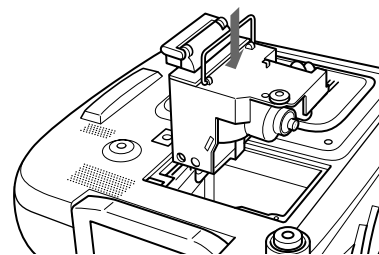
- 3 Afloje dos tornillos de la unidad de lámpara con el destornillador Philips.



- 4 Mientras agarra el asa y mantiene la unidad de lámpara en posición horizontal, tire hacia arriba.



- 5 Inserte la nueva lámpara completamente hasta que encaje en su sitio. Apriete los tornillos y pliegue el asa.



Notas

- Tenga cuidado para no tocar la superficie de vidrio de la lámpara.
- La alimentación no se activará si la lámpara no está correctamente instalada.

- 6 Cierre la cubierta de la lámpara y apriete los tornillos.
- 7 Vuelva a darle la vuelta al proyector.
- 8 Conecte el cable de alimentación y ponga el proyector en modo de espera.
- 9 Pulse las siguientes teclas del panel de control en este orden durante menos de cinco segundos cada una: RESET, ←, →, ENTER.

Notas

- Asegúrese de utilizar la lámpara para proyector LMP-P201 como repuesto. Si utiliza alguna lámpara que no sea la LMP-P201, puede producirse un funcionamiento defectuoso del proyector.
- Asegúrese de apagar el proyector y desenchufar el cable de alimentación antes de sustituir la lámpara.
- No introduzca la mano dentro de la lámpara al sustituirla, ni deje caer ningún líquido u objeto sólido dentro de la misma para evitar una descarga eléctrica o incendio.

Para deshacerse de una lámpara para proyector usada

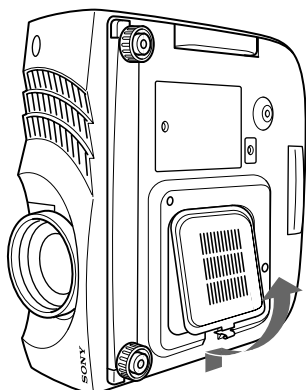
Puesto que los materiales utilizados en esta lámpara son similares a los de una lámpara fluorescente, es necesario deshacerse de una lámpara de este tipo tal como haría con una lámpara fluorescente.

Limpieza del filtro de aire

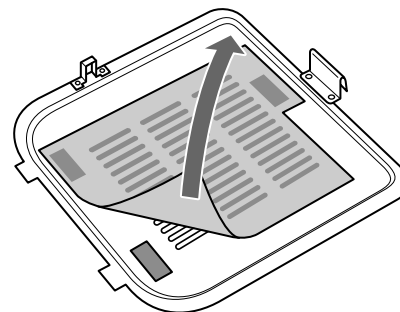
El filtro de aire debe limpiarse cada 300 horas. Si resulta difícil eliminar el polvo del filtro, sustitúyalo por uno nuevo.

Para limpiar el filtro de aire, realice los siguientes pasos:

- 1 Desactive la alimentación y desenchufe el cable de la toma de corriente.
- 2 Extraiga la cubierta del filtro de aire mientras mantiene pulsado el botón de dicha cubierta.

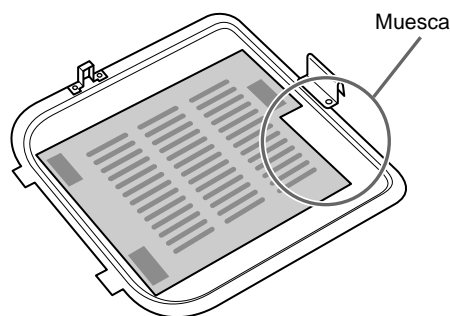


- 3 Extraiga el filtro de aire (dicho filtro está fijado con cinta Velcro (3).)



- 4 Elimine el polvo del filtro con una aspiradora.

- 5 Instale el filtro de aire tal como se muestra en la figura. Vuelva a colocar la cubierta del filtro de aire sobre el proyector.



Notas

- Si tan solo coloca el filtro de aire en las cintas velcro, éste no quedará fijo en su sitio. Cuando lo instale, colóquelo en su cubierta y fíjelo ejerciendo una fuerte presión sobre las tres cintas Velcro. Compruebe que el filtro no se dobla.
- Coloque el filtro de aire correctamente (recto) en la cubierta del filtro. Si el filtro no está recto, es posible que no funcione correctamente.
- Si el filtro de aire se encuentra excesivamente sucio, lávalo con una solución detergente poco concentrada y séquelo en un lugar a la sombra. Si no es posible eliminar el polvo, sustituya el filtro de aire por el filtro nuevo suministrado.
- El filtro de aire tiene una cara frontal y una posterior. Asegúrese de instalarlo en la dirección apropiada. Examine la muesca del filtro como se muestra en la anterior figura e instálelo adecuadamente.
- Asegúrese de fijar firmemente la cubierta del filtro de aire, ya que la alimentación no se activará si no se cierra correctamente.

Solución de problemas

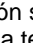
Si se produce algún problema durante el funcionamiento, pulse la tecla HELP para que aparezcan los mensajes de ayuda.

Puede obtener los siguientes tipos de mensajes de ayuda:

- Imagen: No aparece un menú. Los colores no son los correctos.
- Sonido: El sonido no se envía correctamente.
- Otros: El indicador se ilumina/parpadea.

Si el problema no se resuelve después de consultar los mensajes de ayuda, compruebe la siguiente guía. Si el problema persiste, póngase en contacto con su proveedor Sony.

Alimentación

Síntoma	Causa	Solución
La alimentación no se activa.	La alimentación se ha desactivado y activado con la tecla I /  en un intervalo corto de tiempo.	Espera 120 segundos aproximadamente antes de activar la alimentación (<i>consulte la página 17 (ES)</i>).
	La cubierta de la lámpara no está instalada.	Cierre firmemente la cubierta de la lámpara (<i>consulte la página 30 (ES)</i>).
	La cubierta del filtro de aire no está instalada.	Cierre firmemente la cubierta del filtro de aire (<i>consulte la página 31 (ES)</i>).

Imagen

Síntoma	Causa	Solución
Ausencia de imagen.	El cable está desconectado o no se ha conectado correctamente.	Compruebe que ha realizado las conexiones adecuadas (<i>consulte las páginas 13 (ES) a 16 (ES)</i>).
	La selección de entrada es incorrecta.	Seleccione correctamente la fuente de entrada con la tecla INPUT (<i>consulte la página 17 (ES)</i>).
	La imagen está desactivada.	Pulse la tecla PIC MUTING para cancelar la función de desactivación (<i>consulte la página 18 (ES)</i>).
	La señal del ordenador no está ajustada para enviarse al monitor externo.	Ajuste la señal del ordenador para que se envíe al monitor externo (<i>consulte la página 13 (ES)</i>).
	La señal del ordenador está ajustada para enviarse a la pantalla LCD de éste y al monitor externo.	Ajuste la señal del ordenador para que se envíe sólo al monitor externo (<i>consulte la página 13 (ES)</i>).
La imagen aparece con ruido.	Puede aparecer ruido de fondo en función de la combinación de los números de entrada de puntos del conector y los números de píxel del panel LCD.	Cambie el patrón del escritorio en el ordenador conectado.
Las indicaciones en pantalla no aparecen.	El elemento ESTADO del menú AJUSTE se ha ajustado en NO.	Ajuste ESTADO en SI en el menú AJUSTE (<i>consulte la página 24 (ES)</i>).

Sonido

Síntoma	Causa	Solución
Ausencia de sonido.	El cable está desconectado o no se ha conectado correctamente.	Compruebe que ha realizado las conexiones adecuadas (<i>consulte las páginas 13 (ES) a 16 (ES)</i>).
	Se ha desactivado el sonido.	Pulse la tecla AUDIO MUTING para cancelar la función de desactivación (<i>consulte la página 18 (ES)</i>).
Al introducir sonido mediante la toma AUDIO, el sonido se oye sólo por un canal.	Introduce sonido monofónico a través de la toma AUDIO.	Introduzca sonido estéreo.

Otros

Síntoma	Causa	Solución
El indicador LAMP/COVER parpadea.	La cubierta de la lámpara o del filtro de aire no está instalada.	Fije firmemente la cubierta (<i>consulte las páginas 30 (ES) y 31 (ES)</i>).
El indicador LAMP/COVER se ilumina.	La lámpara ha llegado al final de su duración.	Sustituya la lámpara (<i>consulte la página 30 (ES)</i>).
	La temperatura de la lámpara es alta.	Espere 120 segundos hasta que la lámpara se enfríe y vuelva a activar la alimentación (<i>consulte la página 17 (ES)</i>).
El indicador TEMP/FAN parpadea.	El ventilador está roto.	Consulte con personal Sony especializado.
El indicador TEMP/FAN se ilumina.	La temperatura interna es inusualmente alta.	Compruebe que no hay nada que bloquee los orificios de ventilación.
Los indicadores LAMP/COVER y TEMP/FAN se iluminan.	Fallo del sistema eléctrico.	Consulte con personal Sony especializado.

Mensajes de aviso

Utilice la lista que aparece a continuación para conocer el significado de los mensajes mostrados en pantalla.

Mensaje	Significado	Solución
Temperatura. alta! Apag. 1 min.	La temperatura interna es demasiado alta.	Desactive la alimentación. Compruebe que no hay nada que bloquee los orificios de ventilación.
Frecuencia fuera de rango!	Esta señal de entrada no puede proyectarse, ya que la frecuencia se encuentra fuera del margen admisible del proyector.	Introduzca una señal que se encuentre dentro del margen de la frecuencia.
	El ajuste de resolución de la señal de salida del ordenador es demasiado alto.	Defina el ajuste de la salida en XGA (<i>consulte la página 13 (ES)</i>).
Compruebe ajuste ENTRAD A.	Ha introducido una señal RVA del ordenador con ENTRAD A del menú AJUSTE ajustado en COMPONENTE, DTV YPBPR o DTV GBR.	Ajuste ENTRAD A correctamente (<i>consulte la página 24 (ES)</i>).
Por favor cambie la lámpara.	Es preciso sustituir la lámpara.	Sustituya la lámpara.

Mensajes de precaución

Utilice la siguiente lista para conocer el significado de los mensajes mostrados en pantalla.

Mensaje	Significado	Solución
SIN ENTRADA	No hay ninguna señal de entrada.	Compruebe las conexiones (<i>consulte las páginas 13 (ES) a 16 (ES)</i>).
No aplicable!	Ha pulsado una tecla equivocada.	Pulse la tecla apropiada.
ALTAVOZ NO	ALTAVOZ se ha ajustado en NO en el menú AJUSTE.	Si es necesario, ajuste ALTAVOZ en SI (<i>consulte la página 24 (ES)</i>).

Especificaciones

Características ópticas

Sistema de proyección	3 paneles LCD, 1 objetivo, sistema de proyección
Panel LCD	VPL-PX21: Panel LCD SONY TFT de 1,3 pulgadas VPL-PX31: Panel LCD SONY TFT de 1,3 pulgadas de hilera de microlentes, 2.359.296 píxeles (1024 × 768 píxeles × 3)
Objetivo	Zoom de 1,3 veces aprox. f 50,8 a 64,0 mm/F 1,7 a 2,0
Lámpara	UHP de 200 W
Tamaño de imagen de proyección	Rango: 40 a 300 pulgadas (medida diagonal)
Salida de luz	VPL-PX21: ANSI lumen ¹⁾ 1800 lm VPL-PX31: ANSI lumen ¹⁾ 2800 lm
Distancia de proyección	40 pulgadas: 1490 a 1820 mm (58 ³ / ₄ a 71 ³ / ₄ pulgadas) 60 pulgadas: 2280 a 2780 mm (89 ⁷ / ₈ a 109 ¹ / ₂ pulgadas) 80 pulgadas: 3060 to 3740 mm (120 ¹ / ₂ a 147 ³ / ₈ pulgadas) 100 pulgadas: 3850 a 4700 mm (151 ⁵ / ₈ a 185 ¹ / ₈ pulgadas) 120 pulgadas: 4630 a 5660 mm (182 ³ / ₈ a 222 ⁷ / ₈ pulgadas) 150 pulgadas: 5810 a 7100 mm (228 ⁷ / ₈ a 279 ⁵ / ₈ pulgadas) 180 pulgadas: 6990 a 8540 mm (275 ¹ / ₄ a 336 ³ / ₈ pulgadas) 200 pulgadas: 7770 a 9500 mm (306 a 374 ¹ / ₈ pulgadas) 250 pulgadas: 9740 a 11900 mm (383 ⁵ / ₈ a 468 ⁵ / ₈ pulgadas) 300 pulgadas: 11700 a 14300 mm (460 ³ / ₄ a 563 ¹ / ₈ pulgadas)

Características eléctricas

Sistema de color	NTSC ^{3.58} /PAL/SECAM/NTSC ^{4.43} / PAL-M/PAL-N, conmutado automática/manualmente
Resolución	750 líneas horizontales de TV (entrada de vídeo) 1024 × 768 píxeles (entrada RGB)
Señales de ordenador admitidas	fH: 15 a 91 kHz fV: 43 a 85 Hz
Altavoz	Sistema de 3 altavoces con amplia gama de frecuencias. Altavoz de graves: 65 mm (2 ⁵ / ₈ pulgadas) de diámetro, máx. 3 W

Altavoz de agudos: 45 mm (1 ³/₁₆
pulgadas) de diámetro, máx. 1 W
× 2 (estéreo)

Entrada/salida

Entrada de vídeo/audio	VIDEO: tipo fonográfico Vídeo compuesto: 1 Vp-p ±2 dB sincronización negativa (terminación de 75 ohmios) S VIDEO: Y/C tipo mini DIN de 4 pines (macho) Y (luminancia): 1 Vp-p ±2 dB sincronización negativa (terminación de 75 ohmios) C (crominancia): sincronización cromática 0,286 Vp-p ±2 dB (NTSC) (terminación de 75 ohmios), sincronización cromática 0,3 Vp-p ±2 dB (PAL) (terminación de 75 ohmios) AUDIO: Tipo fonográfico × 2 500 mVrms, impedancia superior a 47 kiloohmios
INPUT A	HD D-sub de 15 pines (hembra)/ 5BNC (hembra)/ Digital Interface Switched (conmutación por interfaz digital) RGB analógico: HD D-sub de 15 pines (hembra) R: 0,7 Vp-p ±2 dB (terminación de 75 ohmios) G: 0,7 Vp-p ±2 dB (terminación de 75 ohmios) G con sincronización: 1 Vp-p ±2 dB sincronización negativa (terminación de 75 ohmios) B: 0,7 Vp-p ±2 dB (terminación de 75 ohmios) SYNC/HD: Entrada de sincronización compuesta: 1-5 Vp-p alta impedancia, positiva/negativa Entrada de sincronización horizontal: 1-5 Vp-p alta impedancia, positiva/negativa VD: Entrada de sincronización vertical: 1-5 Vp-p alta impedancia, positiva/negativa RGB analógico/componente: 5BNC (hembra) R/R-Y: 0,7 Vp-p ±2 dB (terminación de 75 ohmios) G: 0,7 Vp-p ±2 dB (terminación de 75 ohmios) G con sincronización/Y: 1 Vp-p ±2 dB sincronización negativa

1) ANSI lumen es un método de medida de American National Standard IT 7.228.

(terminación de 75 ohmios)
 B/B-Y: 0,7 Vp-p ± 2 dB
 (terminación de 75 ohmios)
 SYNC/HD:
 Entrada de sincronización
 compuesta: 1-5 Vp-p alta
 impedancia, positiva/negativa
 Entrada de sincronización
 horizontal: 1-5 Vp-p alta
 impedancia, positiva/negativa
 VD:
 Entrada de sincronización
 vertical: 1-5 Vp-p alta
 impedancia, positiva/negativa
 DIGITAL RGB: DFP de 20 pines
 (TMDS)
 USB HUB: Arriba (tipo B:
 hembra) $\times 1$, Abajo (tipo A:
 hembra) $\times 1$
 MOUSE (salida): 13 pines (hembra)
*(Para obtener más información,
 consulte "Asignación de pines" en
 la página 36 (ES).)*
 AUDIO: Minitoma estéreo
 500 mVrms, impedancia superior
 a 47 kiloohmios

INPUT B

RGB analógico: HD D-sub de 15
 pines (hembra)
 R: 0,7 Vp-p ± 2 dB (terminación
 de 75 ohmios)
 G: 0,7 Vp-p ± 2 dB (terminación
 de 75 ohmios)
 G con sincronización: 1 Vp-p ± 2
 dB sincronización negativa
 (terminación de 75 ohmios)
 B: 0,7 Vp-p ± 2 dB (terminación
 de 75 ohmios)
 SYNC/HD:
 Entrada de sincronización
 compuesta: 1-5 Vp-p alta
 impedancia, positiva/negativa
 Entrada de sincronización
 horizontal: 1-5 Vp-p alta
 impedancia, positiva/negativa
 VD:
 Entrada de sincronización
 vertical: 1-5 Vp-p alta
 impedancia, positiva/negativa
 MOUSE (salida): 13 pines (hembra)
*(Para obtener más información,
 consulte "Asignación de pines" en
 la página 36 (ES).)*
 AUDIO: Minitoma estéreo
 500 mVrms, impedancia superior
 a 47 kiloohmios

OUTPUT

MONITOR OUT: HD D-sub de
 15 pines (hembra)
 R/R-Y,G/Y,B/B-Y: Unidad de
 ganancia, 75 ohmios
 SYNC/HD, VD: 4Vp-p (abierta),
 1Vp-p (75 ohmios)

* La señal DIGITAL RGB no se
 envía a través del terminal
 MONITOR OUT.
 AUDIO OUT (salida variable):
 Minitoma estéreo
 máx. 1 Vrms, Cuando la señal de
 entrada es de 500 mVrms, la
 impedancia es inferior a 5
 kiloohmios

REMOTE RS-232C: D-sub de 9 pines
 (hembra)

CONTROL S IN/PLUG IN POWER
 Minitoma estéreo 5Vp-p, potencia
 por enchufe, 5V CC

Normas de seguridad: UL1950, cUL1950, DHHS
 (Láser), DNHW (Láser), FCC
 Clase A, IC Clase A,
 EN60 950 (NEMKO), CE, C-
 Tick, EN60 825-1 (Láser), VCCI
 clase B, JEIDA

Haz de láser

Tipo de láser	Clase 2
Longitud de onda	645 nm
Salida	1 mW

Generales

Dimensiones	339 \times 142 \times 335 mm (13 ³ / ₈ \times 5 ⁵ / ₈ \times 13 ¹ / ₄ pulgadas) (an/al/prf)
Peso	Aprox. 7,2 kg (15 lb 14 oz)
Requisitos de alimentación	CA 100 a 240 V, 50/60 Hz
Consumo de energía	Máx. 290 W (Modo de espera: 5 W)
Disipación del calor	989,6 BTU
Temperatura de funcionamiento	0°C a 40°C (32°F a 104°F)
Humedad de funcionamiento	35% a 85% (sin condensación)
Temperatura de almacenamiento	-20°C a 60°C (-4°F a 140°F)
Humedad de almacenamiento	10% a 90%
Accesorios suministrados	Mando a distancia RM-PJM610 (1) Pilas tamaño AA (R6) (2) Cable HD D-sub de 15 pines (1) (1-791-992-11 ó 1-791-992-21) Cable de ratón SIC-S21 (para serie) (2 m) (1) (1-783-502-11) SIC-S22 (para PS/2) (2 m) (1) (1-783-501-11) Cable de audio/vídeo (1,5 m) (1) (1-776-279-11)

(Continúa)

- Cable USB tipo A – B (2 m) (1)
(1-790-081-11)
- Software de aplicación, Projector
Station Version 2.00 (1)
- Tapa del objetivo (1)
- Correa para el mando a distancia
(1)
- Cable de alimentación de CA (1)
- Filtro de aire (para sustitución) (1)
- Manual de instrucciones (1)
- Manual de instalación para
proveedores (1)
- Tarjeta de referencia rápida (1)
- Folleto de garantía (1)

Diseño y especificaciones sujetos a cambios sin
previo aviso.

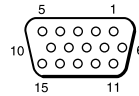
Accesorios opcionales

- Lámpara de proyector LMP-P201 (para sustitución)
- Soporte de suspensión de proyector PSS-610
- Estuche de transporte VLC-600¹⁾
- Cable de monitor
 - SMF-400 (HD D-sub de 15 pines (macho) ↔ 5 ×
BNC (macho))
 - SMF-410 (HD D-sub de 15 pines (macho) ↔ HD
D-sub de 15 pines (macho))
- Cable de señal
 - SMF-402 (HD D-sub de 15 pines (macho) ↔ 3 ×
tipo fonográfico (macho))
- Cable de interface de señales
 - SIC-10 (5 × BNC (macho) ↔ 5 × BNC (macho))
- Cable de señales digitales
 - SMF-D102 (DFP de 20 pines ↔ DFP de 20 pines)
 - SMF-D110 (DFP de 20 pines ↔ DFP de 20 pines)
- Cable de ratón
 - SIC-S20 (para Macintosh) (2 m)
 - SIC-S21 (para serie) (2 m)
 - SIC-S22 (para PS/2) (2 m)
- Adaptador de señal
 - ADP-20 (Macintosh ↔ HD D-sub de 15 pines)
- Objetivo de proyección
 - Objetivo zoom de enfoque largo VPLL-ZM101
 - Objetivo zoom de enfoque corto VPLL-ZM31
 - Objetivo fijo de enfoque corto VPLL-FM21

*Algunos productos pueden no estar disponibles en algunas
zonas. Para obtener más información, póngase en contacto
con el proveedor Sony más próximo.*

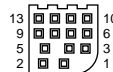
Asignación de pines

Conector de entrada RGB (HD D-sub de 15 pines, hembra)



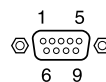
1	R	9	N.C.
2	G	10	GND
3	B	11	GND
4	N.C.	12	DDC/SDA
5	GND	13	HD/C.Sync
6	GND (R)	14	VD
7	GND (G)	15	DDC/SCL
8	GND (B)		

Conector MOUSE (13 pines, hembra)



1	RTS	8	R
2	GND	9	98/AT/TXD
3	XA	10	+5V/DTR
4	XB	11	CLOCK
5	YA	12	DATA
6	YB	13	RXD
7	L/PS		

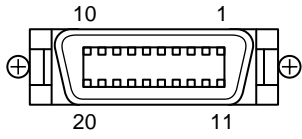
Conector RS-232C (D-sub de 9 pines, hembra)



1	DCD	6	DSR
2	RX DA	7	RTS
3	TX DA	8	CTS
4	DTR	9	RI
5	GND		

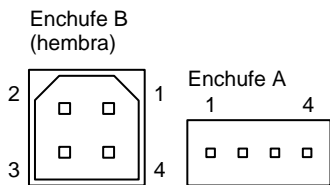
1) Las unidades VLC-600 pueden no encontrarse disponibles en algunas zonas. Para más información, consulte con el centro Sony más próximo.

Conector de entrada DIGITAL RGB (DFP de 20 pines, hembra)



1	TX0-	11	TXC-
2	TX0+	12	TXC+
3	TX0 SHIELD	13	TXC SHIELD
4	TX2 SHIELD	14	TX1 SHIELD
5	TX2-	15	TX1-
6	TX2+	16	TX1+
7	DDC/SCL	17	NC
8	DDC/SDA	18	SENSE
9	NC	19	+5V DC
10	NC	20	GND

Conector USB

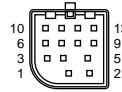


1	+5V
2	D-
3	D+
4	GND

Asignación de pines del cable de ratón

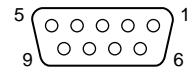
SIC-S21

13 pines



1	RTS	8	R
2	GND	9	98/AT/TXD
3	XA	10	+5V/DTR
4	XB	11	CLOCK
5	YA	12	DATA
6	YB	13	RXD
7	L/PS		

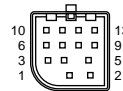
D-sub de 9 pines



1	DCD
2	RXD
3	TXD
4	DTR
5	GND
6	DSR
7	RTS
8	CTS
9	RI

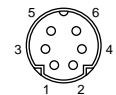
SIC-S22

13 pines



1	RTS	8	R
2	GND	9	98/AT/TXD
3	XA	10	+5V/DTR
4	XB	11	CLOCK
5	YA	12	DATA
6	YB	13	RXD
7	L/PS		

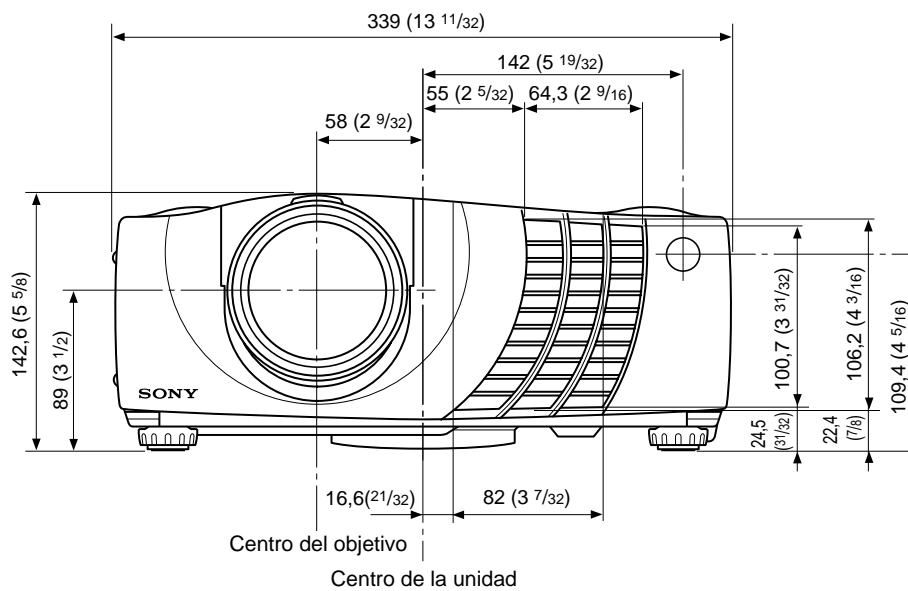
mini DIN de 6 pines



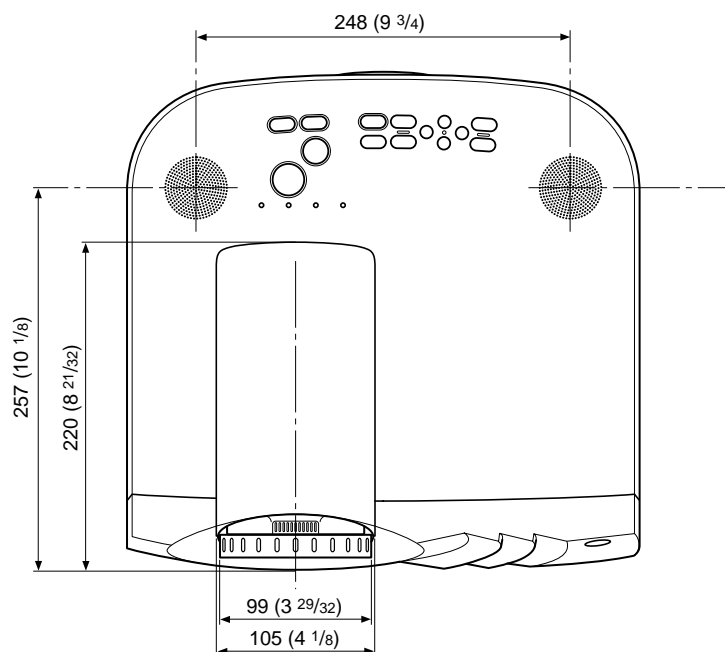
1	DATA
2	NC
3	GND
4	+5V
5	CLOCK
6	NC

Dimensiones

Parte frontal

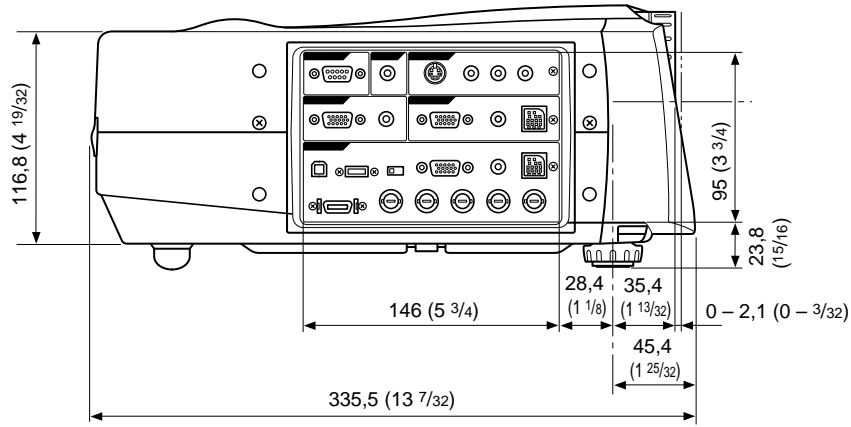


Parte superior

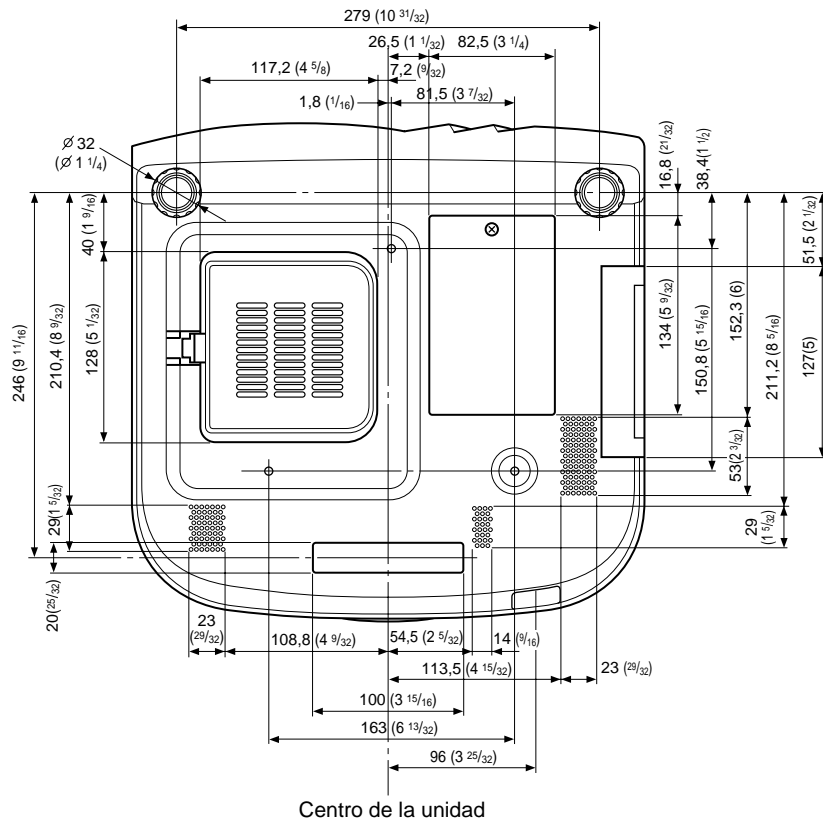


Unidad: mm (pluggadas)

Parte lateral



Parte inferior



Centro de la unidad

Unidad: mm (plgadas)

Índice alfabético

A

Accesorios opcionales 36 (ES)
 Accesorios suministrados 35 (ES)
 AHORRO ENERGIA 9 (ES), 25 (ES)
 Ajustador 8 (ES)
 Ajuste
 el tamaño/desplazamiento de la imagen 22 (ES)
 la imagen 20 (ES)
 memoria de los ajustes 20 (ES)
 Alimentación
 activación 17 (ES)
 desactivación 19 (ES)
 ALTAVOZ 24 (ES)
 Asa de transporte 7 (ES)
 Asignación de pines 36 (ES)
 ASPECTO 22 (ES)

B

BRILLO 21 (ES)
 BÚSQ ENTR AUTO 24 (ES)

C

Cable de ratón
 asignación de pines 37 (ES)
 conexión 14 (ES)
 COLOR 21 (ES)
 Condensación 28 (ES)
 Conector de entrada DIGITAL RGB 10 (ES)
 asignación de pines 37 (ES)
 Conector de entrada RGB 10 (ES)
 asignación de pines 36 (ES)
 Conectores de entrada 5BNC 10 (ES)
 Conector MOUSE 10 (ES)
 asignación de pines 36 (ES)
 Conector RS-232C 11 (ES)
 asignación de pines 36 (ES)
 Conector USB 10 (ES)
 asignación de pines 37 (ES)
 Conexiones
 equipo componente 16 (ES)
 ordenador 14 (ES)
 videograbadora 16 (ES)
 CONT LAMPARA 25 (ES)
 CONTRASTE 21 (ES)
 CONV EXPLO (convertidor de exploración) 22 (ES)

D

Desactivación
 el sonido 18 (ES)
 la imagen 18 (ES)
 DESPLAZ 22 (ES)
 Detector de mando a distancia
 ajuste 25 (ES)
 frontal 7 (ES)
 posterior 7 (ES)
 Dimensiones 38 (ES)
 DI TRA DIG MEM 25 (ES)
 DIST TRAP DIG 25 (ES)

E

Ejemplos de instalación 26 (ES)
 en el suelo 26 (ES)
 en el techo 27 (ES)
 ENTRAD A 24 (ES)
 Especificaciones 34 (ES)
 ESTADO (indicación en pantalla) 24 (ES)

F, G, H

FASE PUNTO 22 (ES)
 Filtro de aire 31 (ES)
 Función APA 9 (ES), 18 (ES)

I, J, K, L

IDIOMA 24 (ES)
 IMAG DI (dinámica) 21 (ES)
 INSTALACION 25 (ES)
 Interruptor DIGITAL RGB/5BNC/RGB 10 (ES)

M

Mando a distancia
 función de puntero láser 11 (ES), 19 (ES)
 instalación de las pilas 12 (ES)
 tecla D ZOOM 11 (ES)
 tecla FUNCTION 12 (ES)
 tecla HELP 12 (ES)
 ubicación y función de los controles 11 (ES)
 Mensajes
 aviso 33 (ES)
 precaución 33 (ES)
 Menú
 desactivación de la pantalla de menú 20 (ES)
 Menú AJUS ENTRAD 22 (ES)
 Menú AJUSTE 24 (ES)
 Menú AJUSTE INST 25 (ES)
 Menú CTRL IMAGEN 20 (ES)
 uso del menú 20 (ES)
 Menú AJUS ENTRAD 22 (ES)
 Menú AJUSTE 24 (ES)
 Menú AJUSTE INST 25 (ES)
 Menú CTRL IMAGEN 20 (ES)
 MODO GAMMA 21 (ES)
 MODO LAMPARA 25 (ES)

N

NITIDEZ 21 (ES)
 Notas para la instalación 28 (ES)
 condiciones de uso inadecuadas 28 (ES)
 instalación inadecuada 28 (ES)

O

Orificios de ventilación
 aspiración 8 (ES)
 exhaustación 7 (ES)

P, Q

Pila
 instalación 12 (ES)
 notas 12 (ES)
 POTENCIA RVA 21 (ES)
 Precauciones 5 (ES)
 Proyección 17 (ES)

R

RECEPTOR SIRCS 7 (ES), 25 (ES)
 Restauración
 elementos que pueden restaurarse 20 (ES)
 restauración de elementos 20 (ES)

S

SIST (sistema) COLOR 21 (ES)
 Solución de problemas 32 (ES)
 Soporte de suspensión de proyector PSS-610 27 (ES)
 Sustitución de la lámpara 30 (ES)

T

TAMANO H 22 (ES)
 Tamaño de la pantalla 13 (ES), 23 (ES), 34 (ES)
 TEMP COLOR 21 (ES)
 TONALIDAD 21 (ES)

U, V, W, X, Y, Z

Ubicación y función de los controles
 Mando a distancia 11 (ES)
 panel de conectores 10 (ES)
 panel de control 9 (ES)
 parte frontal/izquierda 7 (ES)
 parte posterior/derecha/inferior 7 (ES)

<http://www.sony.net/>

Printed on recycled paper

Sony Corporation Printed in Japan