

**SONY®**

VIDEO PROJECTOR

**VPL-HS20**

REMOTE COMMANDER

**RM-PJHS10**

PROJECTION LENS

**VPLL-CT10**

**VPLL-CW10**

SERVICE MANUAL

1st Edition

## **⚠ 警告**

このマニュアルは、サービス専用です。

お客様が、このマニュアルに記載された設置や保守、点検、修理などを行うと感電や火災、人身事故につながる可能性があります。

危険をさけるため、サービストレーニングを受けた技術者のみご使用ください。

## **⚠ WARNING**

This manual is intended for qualified service personnel only.

To reduce the risk of electric shock, fire or injury, do not perform any servicing other than that contained in the operating instructions unless you are qualified to do so. Refer all servicing to qualified service personnel.

## **⚠ WARNUNG**

Die Anleitung ist nur für qualifiziertes Fachpersonal bestimmt.

Alle Wartungsarbeiten dürfen nur von qualifiziertem Fachpersonal ausgeführt werden. Um die Gefahr eines elektrischen Schlages, Feuergefahr und Verletzungen zu vermeiden, sind bei Wartungsarbeiten strikt die Angaben in der Anleitung zu befolgen. Andere als die angegebenen Wartungsarbeiten dürfen nur von Personen ausgeführt werden, die eine spezielle Befähigung dazu besitzen.

## **⚠ AVERTISSEMENT**

Ce manuel est destiné uniquement aux personnes compétentes en charge de l'entretien. Afin de réduire les risques de décharge électrique, d'incendie ou de blessure n'effectuer que les réparations indiquées dans le mode d'emploi à moins d'être qualifié pour en effectuer d'autres. Pour toute réparation faire appel à une personne compétente uniquement.

### **WARNING!!**

**AN INSULATED TRANSFORMER SHOULD BE USED DURING ANY SERVICE TO AVOID POSSIBLE SHOCK HAZARD, BECAUSE OF LIVE CHASSIS. THE CHASSIS OF THIS RECEIVER IS DIRECTLY CONNECTED TO THE AC POWER LINE.**

### **SAFETY-RELATED COMPONENT WARNING !!**

**COMPONENTS IDENTIFIED BY A ⚠ MARK ON THE SCHEMATIC DIAGRAMS, EXPLODED VIEWS AND IN THE PARTS LIST ARE CRITICAL TO SAFE OPERATION. REPLACE THESE COMPONENTS WITH SONY PARTS WHOSE PART NUMBERS APPEAR AS SHOWN IN THIS MANUAL OR IN SUPPLEMENTS PUBLISHED BY SONY.**

### **ATTENTION!!**

**AFIN D'ÉVITER TOUT RISQUE D'ÉLECTROCUTION PROVENANT D'UN CHÂSSIS SOUS TENSION, UN TRANSFORMATEUR D'ISOLEMENT DOIT ÊTRE UTILISÉ LORS DE TOUT DÉPANNAGE. LE CHÂSSIS DE CE RÉCEPTEUR EST DIRECTEMENT RACCORDÉ À L'ALIMENTATION SECTEUR.**

### **ATTENTION AUX COMPOSANTS RELATIFS À LA SÉCURITÉ!!**

**LES COMPOSANTS IDENTIFIÉS PAR UNE MAPQUE ⚠ SUR LES SCHÉMAS DE PRINCIPE, LES VUES EXPLOSÉES ET LES LISTES DE PIÈCES SONT D'UNE IMPORTANCE CRITIQUE POUR LA SÉCURITÉ DU FONCTIONNEMENT. NE LES REMPLACER QUE PAR DES COMPOSANTS SONY DONT LE NUMÉRO DE PIÈCE EST INDIQUÉ DANS LE PRÉSENT MANUEL OU DANS DES SUPPLÉMENTS PUBLIÉS PAR SONY.**

**For the customers in the Netherlands**  
**Voor de klanten in Nederland**

Hoe u de batterijen moet verwijderen, leest u in de tekst van deze handleiding.

Gooi de batterij niet weg maar lever deze in als klein chemisch afval (KCA).



**Für Kunden in Deutschland**

Entsorgungshinweis: Bitte werfen Sie nur entladene Batterien in die Sammelboxen beim Handel oder den Kommunen. Entladen sind Batterien in der Regel dann, wenn das Gerät abschaltet und signalisiert "Batterie leer" oder nach längerer Gebrauchsdauer der Batterien "nicht mehr einwandfrei funktioniert". Um sicherzugehen, kleben Sie die Batteriepole z.B. mit einem Klebestreifen ab oder geben Sie die Batterien einzeln in einen Plastikbeutel.



# Table of Contents

## 1. Service Overview

1-1.	Appearance Figure .....	1-1
1-2.	Board Locations .....	1-1
1-3.	Disassembly .....	1-2
1-3-1.	Front Panel Assembly and Side Cover Assembly .....	1-2
1-3-2.	HA, HB and NR Boards .....	1-3
1-3-3.	HC, NF and D.C. Fan .....	1-3
1-3-4.	C Board .....	1-4
1-3-5.	B Board .....	1-4
1-3-6.	MS Board .....	1-5
1-3-7.	G Board and Lamp Power Supply Block .....	1-5
1-3-8.	OPT Block Assembly and U Board .....	1-6
1-3-9.	Opt Unit Assembly and Projection Lens, Prism Block Assembly .....	1-7
1-3-10.	Projection Lens and WV-Film Plate (1), (2) .....	1-8
1-3-11.	Iris Unit and In-Polarizer panel (R), (G), (B) assembly .....	1-9
1-3-12.	Each Part Direction of Opt Unit Assembly .....	1-9
1-3-13.	QA, QB Boards .....	1-10
1-3-14.	F Board and Speaker Assembly .....	1-10
1-3-15.	Extension Board and Extension Connectors .....	1-11
1-3-16.	Extension Board and Extension Connectors Connection .....	1-12
1-3-17.	Connection Example .....	1-13
1-4.	Service Knowhow .....	1-14
1-4-1.	After Replacing the Prism Block .....	1-14
1-4-2.	After Replacing the Board .....	1-14
1-5.	Memory .....	1-15
1-6.	Warning on Power Connection .....	1-17

## 2. Electrical Adjustments

2-1.	Preparations .....	2-1
2-1-1.	Equipment Required .....	2-1
2-1-2.	Factory Mode Setting .....	2-1
2-2.	V COM Adjustment .....	2-1
2-3.	Adjustment Item Initialize Data .....	2-2
2-4.	White Balance Adjustment on Servicing .....	2-12
2-4-1.	Computer .....	2-12
2-4-2.	Video .....	2-13
2-5.	Tilt Adjustment .....	2-13

## 3. Semiconductors .....

## 4. Spare Parts

4-1.	Notes on Repair Parts .....	4-1
4-2.	Exploded Views .....	4-2
4-2-1.	Cover .....	4-2
4-2-2.	Chassis .....	4-4
4-2-3.	Base .....	4-6
4-2-4.	Optics-1 .....	4-8
4-2-5.	Optics-2 .....	4-10
4-3.	Electrical Parts List .....	4-12
4-4.	Packing Materials & Supplied Accessories .....	4-38
4-5.	VPLL-CT10 .....	4-38
4-6.	VPLL-CW10 .....	4-38

## 5. Block Diagrams

B .....	5-1
QA .....	5-1
QB .....	5-1
C .....	5-2
F .....	5-4
G .....	5-4

## 6. Diagrams

6-1.	Frame Wiring .....	6-2
6-2.	Schematic Diagrams and Board Layouts .....	6-4
	Schematic Diagrams	
B .....	6-5	
C .....	6-18	
F .....	6-32	
G .....	6-33	
HA .....	6-37	
HB .....	6-38	
HC .....	6-39	
L .....	6-40	
MS .....	6-41	
NF .....	6-45	
NR .....	6-45	
QA .....	6-46	
QB .....	6-48	
U .....	6-53	

Printed Wiring Boards

B ..... 6-17  
C ..... 6-30  
F ..... 6-32  
G ..... 6-35  
HA ..... 6-37  
HB ..... 6-38  
HC ..... 6-39  
L ..... 6-40  
MS ..... 6-44  
NF ..... 6-45  
NR ..... 6-45  
QA ..... 6-47  
QB ..... 6-52  
U ..... 6-53

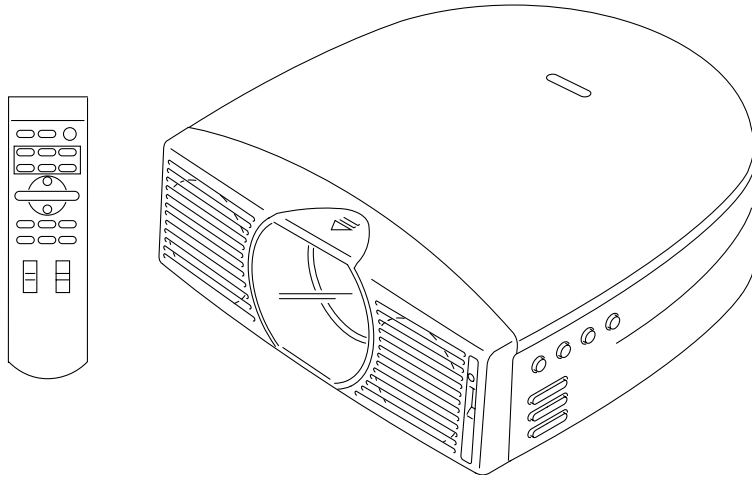




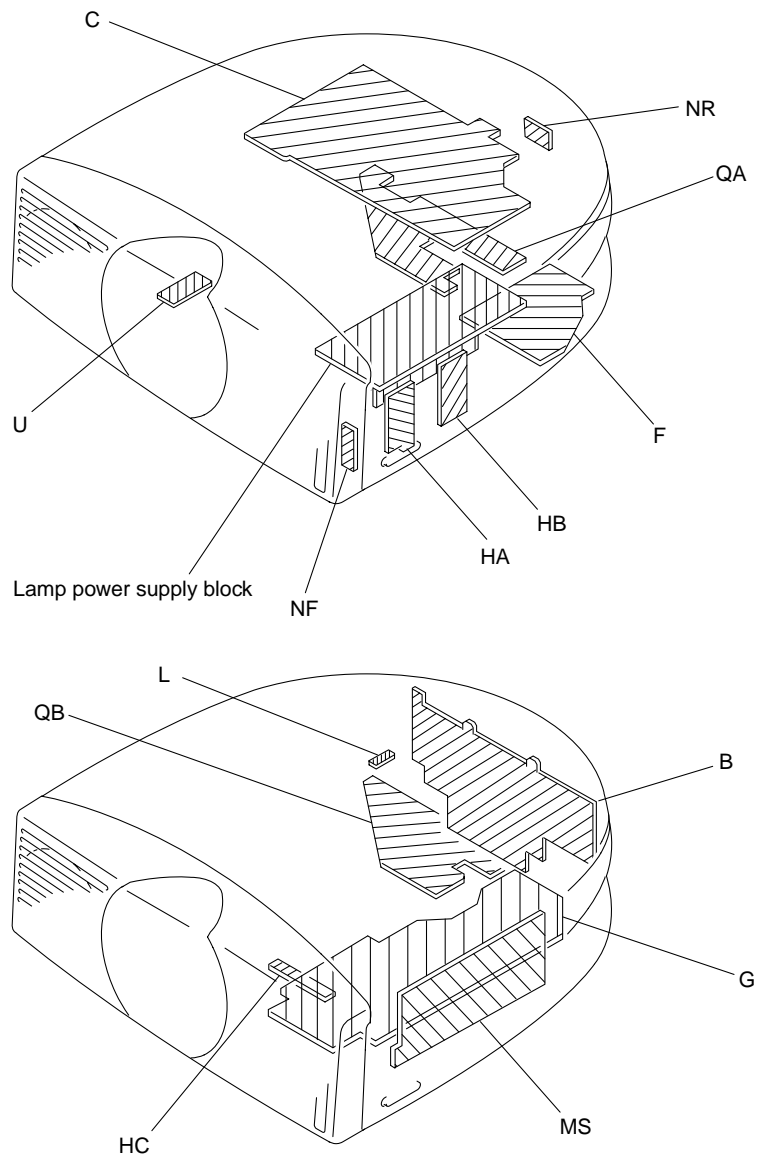
# Section 1

## Service Overview

### 1-1. Appearance Figure

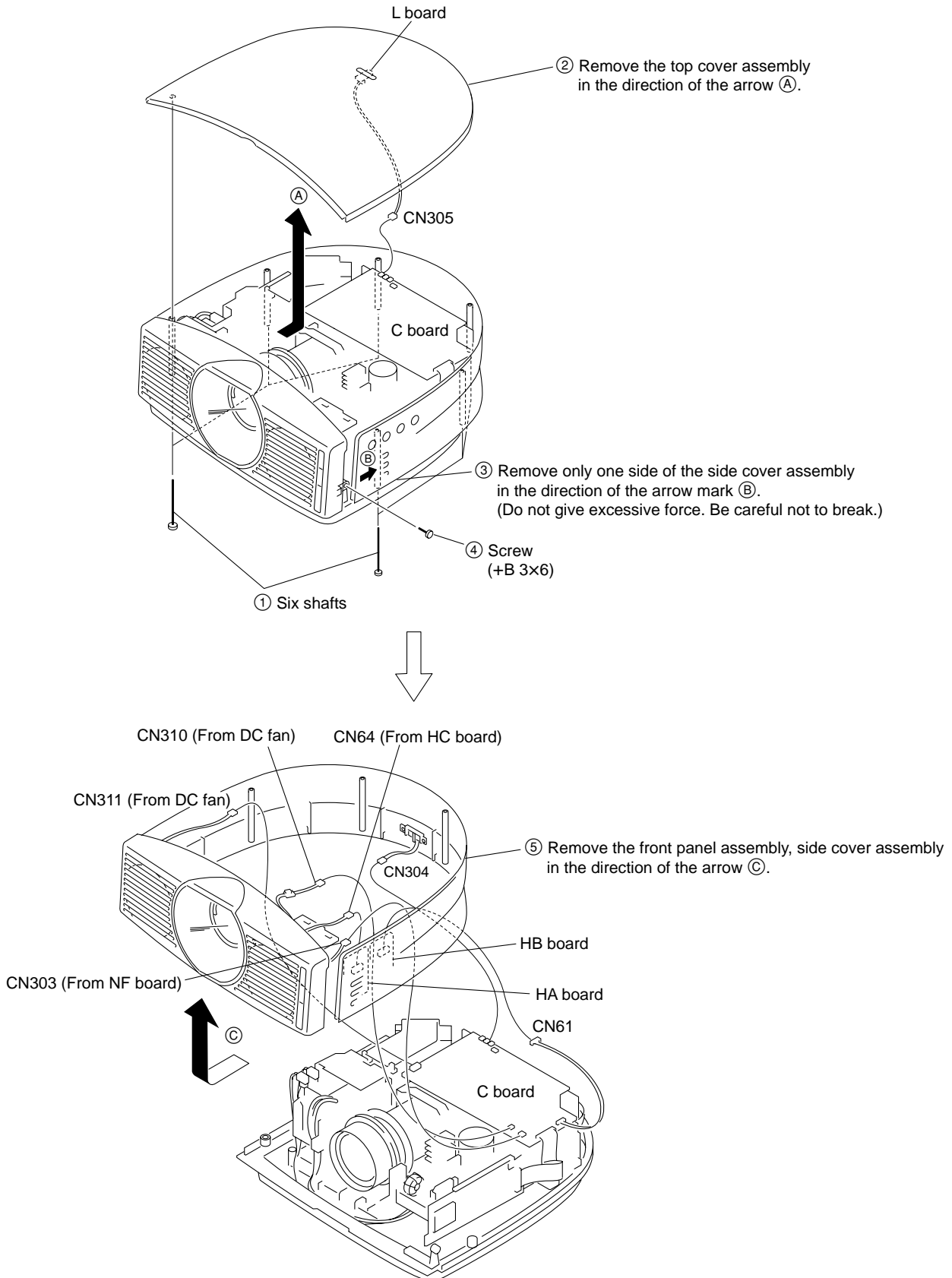


### 1-2. Board Locations



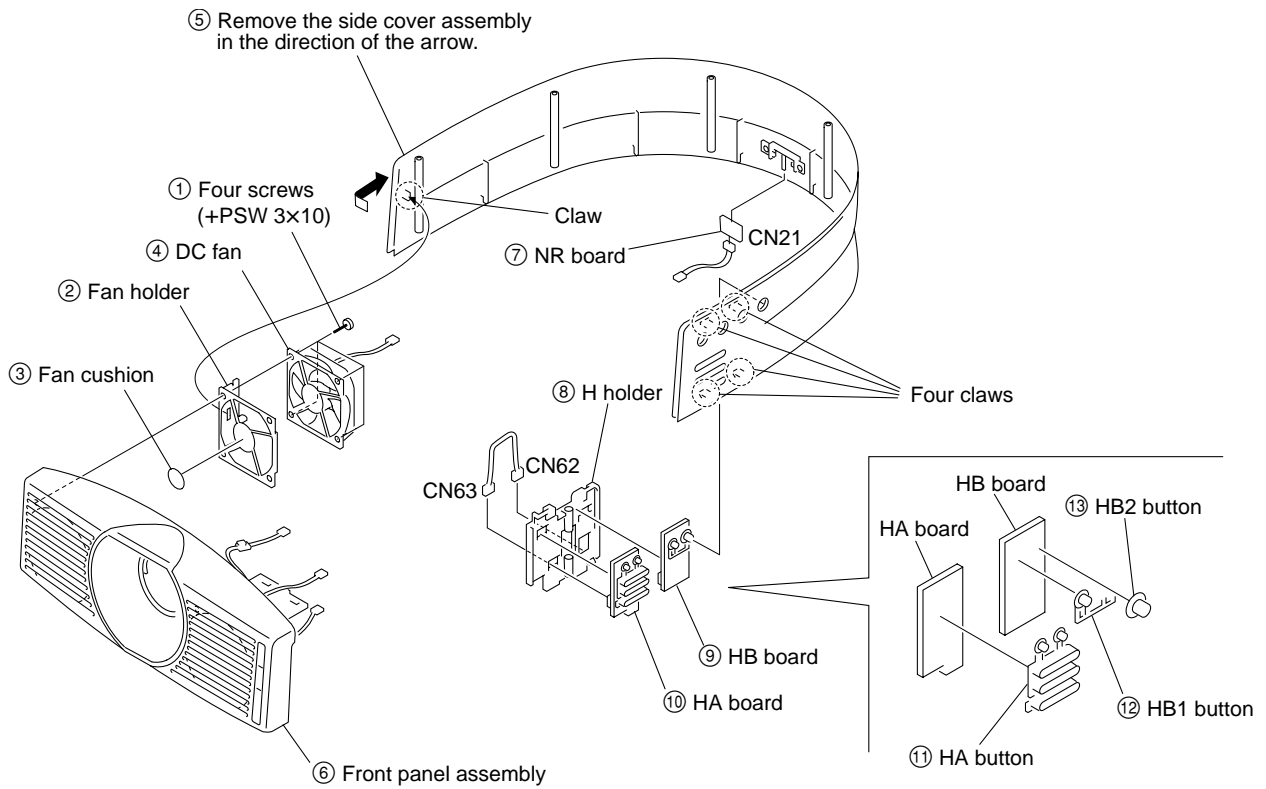
## 1-3. Disassembly

### 1-3-1. Front Panel Assembly and Side Cover Assembly



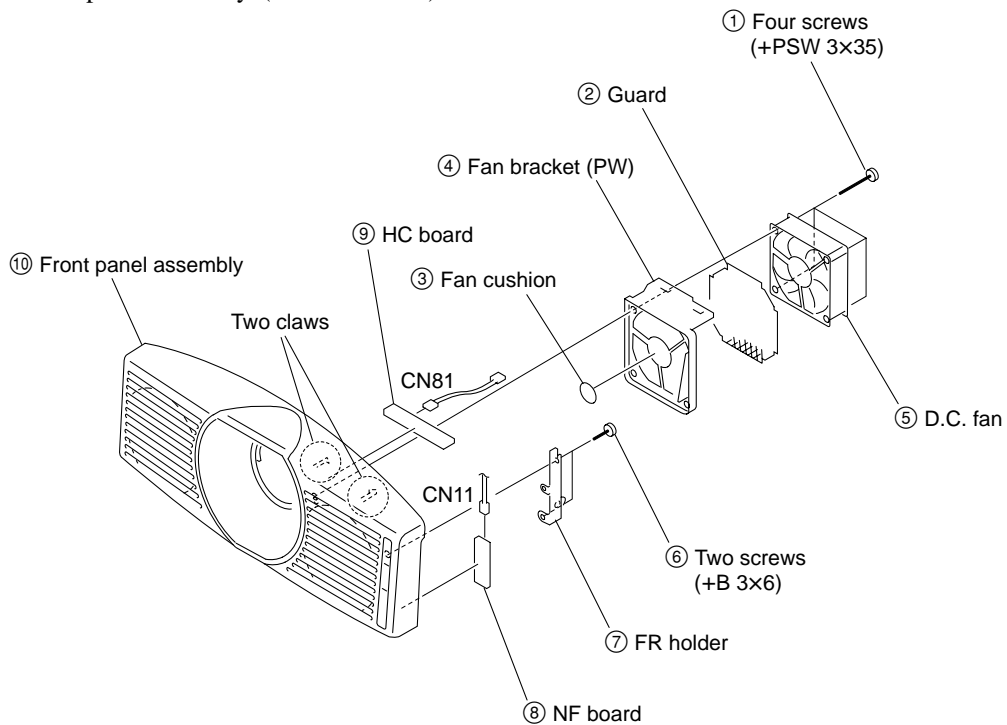
### 1-3-2. HA, HB and NR Boards

- Remove the front panel assembly and side cover assembly. (Refer to 1-3-1.)



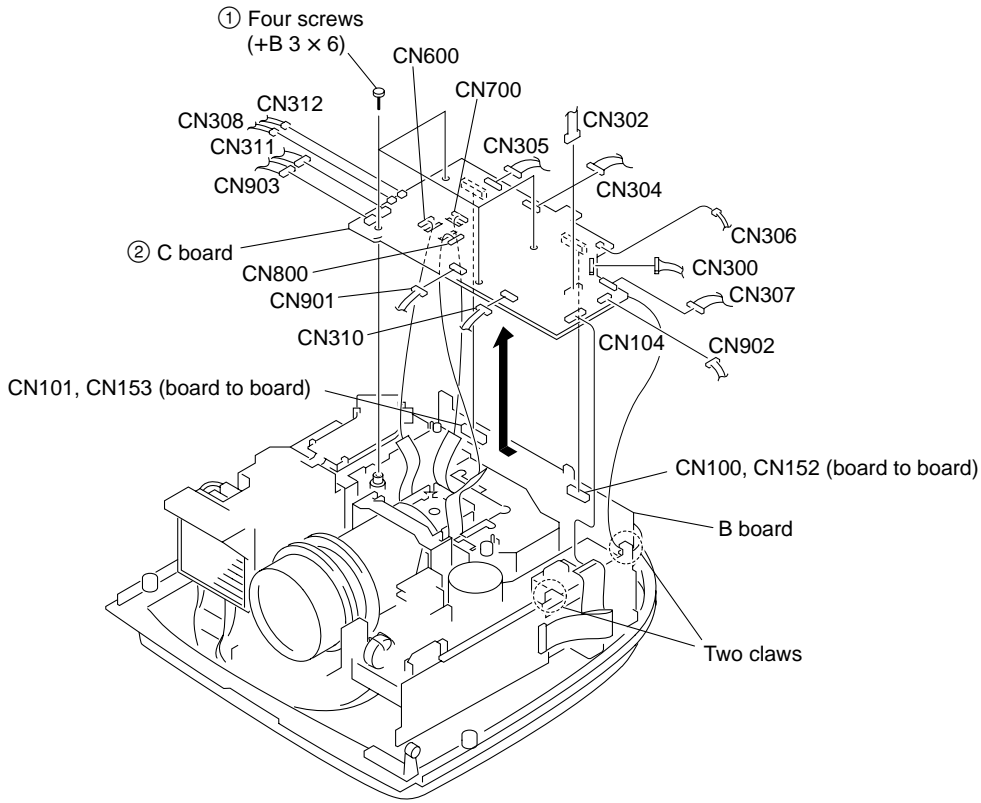
### 1-3-3. HC, NF and D.C. Fan

- Remove the front panel assembly. (Refer to 1-3-2.)



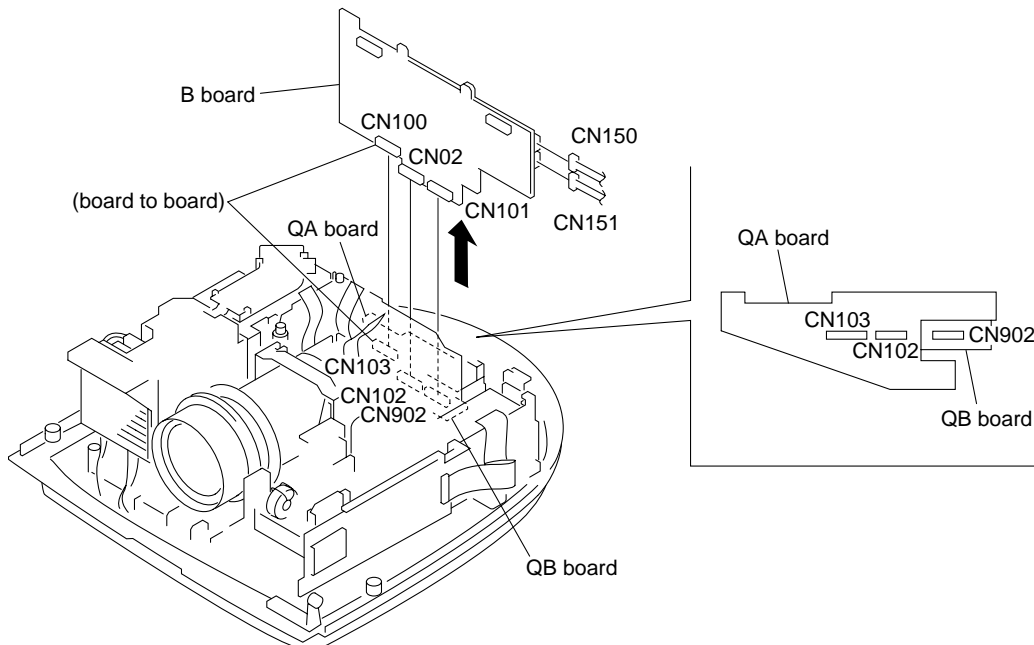
### 1-3-4. C Board

- Remove the front panel assembly and side cover assembly. (Refer to 1-3-1.)



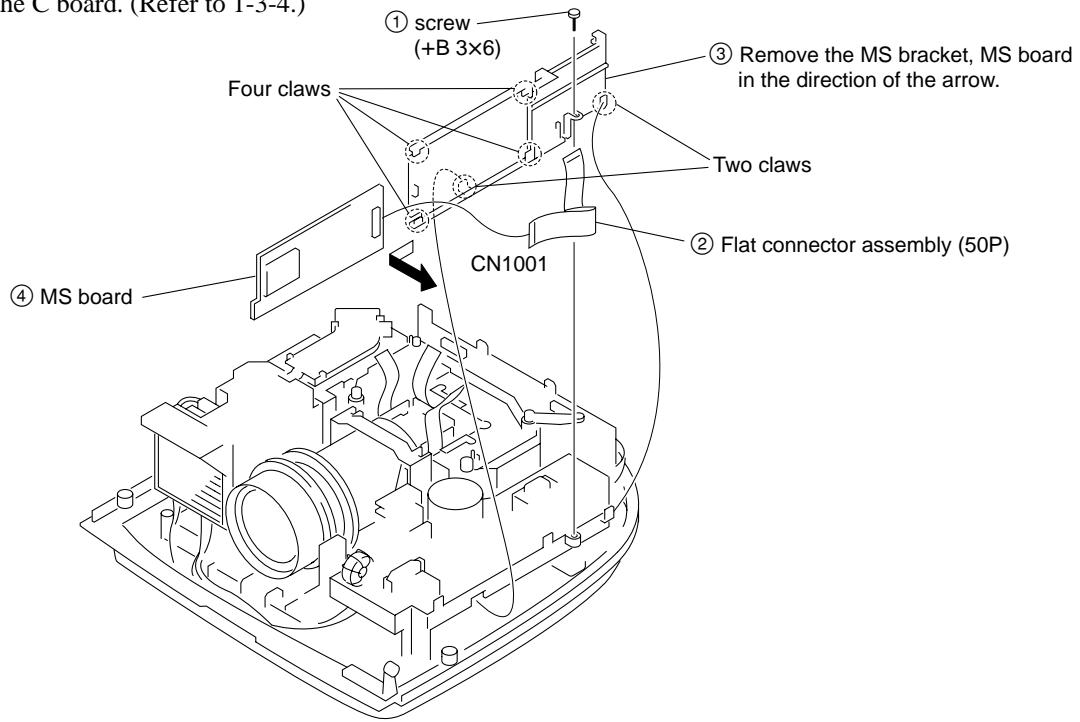
### 1-3-5. B Board

- Remove the front panel assembly and side cover assembly. (Refer to 1-3-1.)
- Remove the C board. (Refer to 1-3-4.)



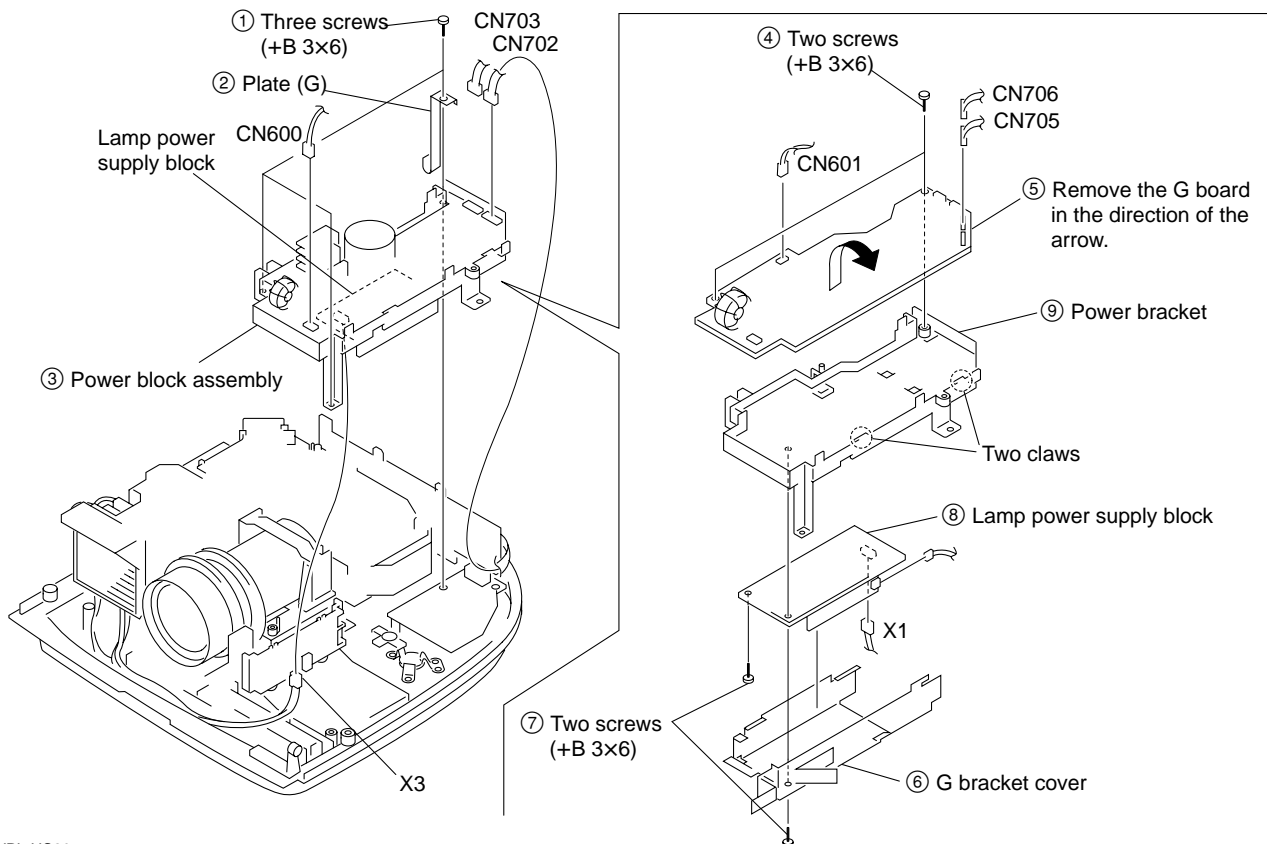
### 1-3-6. MS Board

- Remove the C board. (Refer to 1-3-4.)



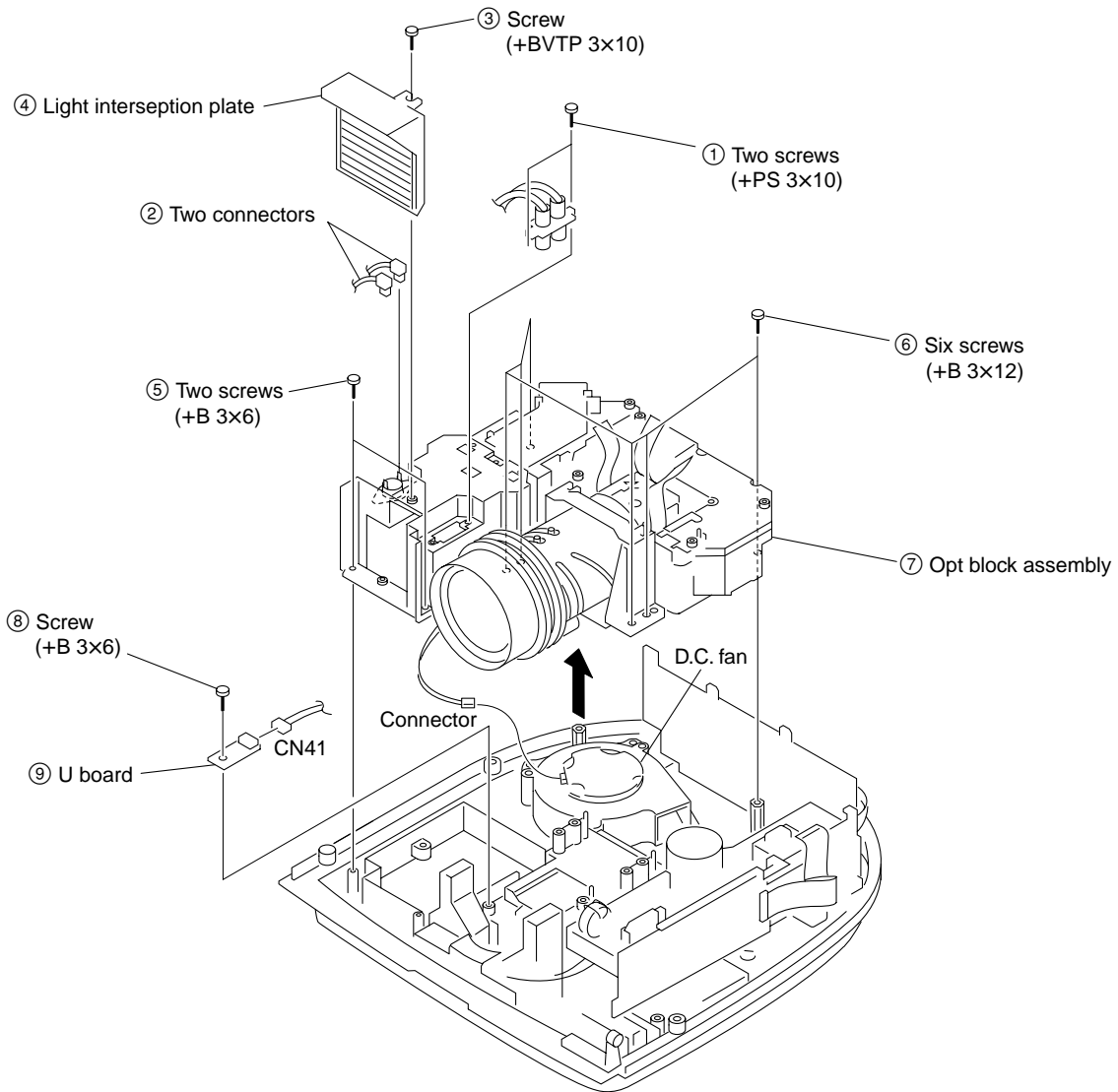
### 1-3-7. G Board and Lamp Power Supply Block

- Remove the C board. (Refer to 1-3-4.)
- Remove the MS board. (Refer to 1-3-6.)



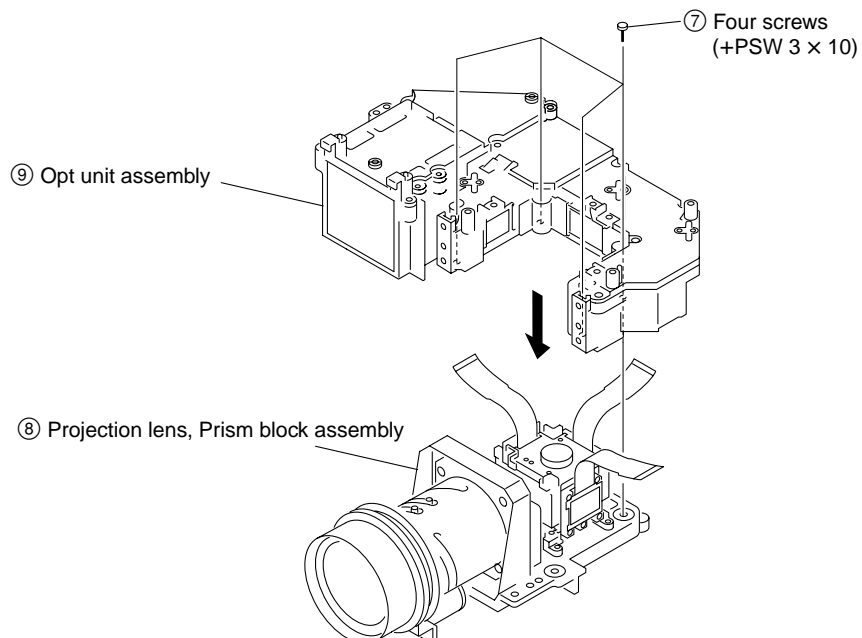
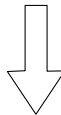
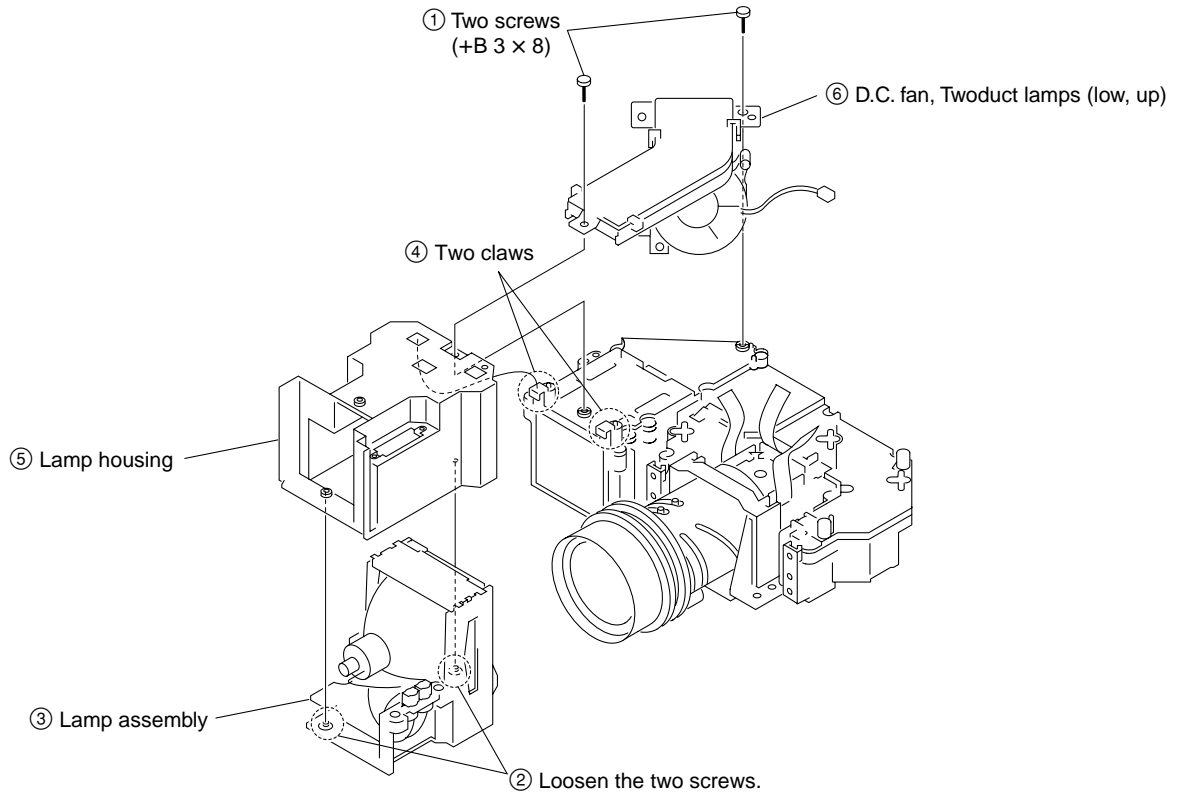
### 1-3-8. OPT Block Assembly and U Board

- Remove the C board. (Refer to 1-3-4.)



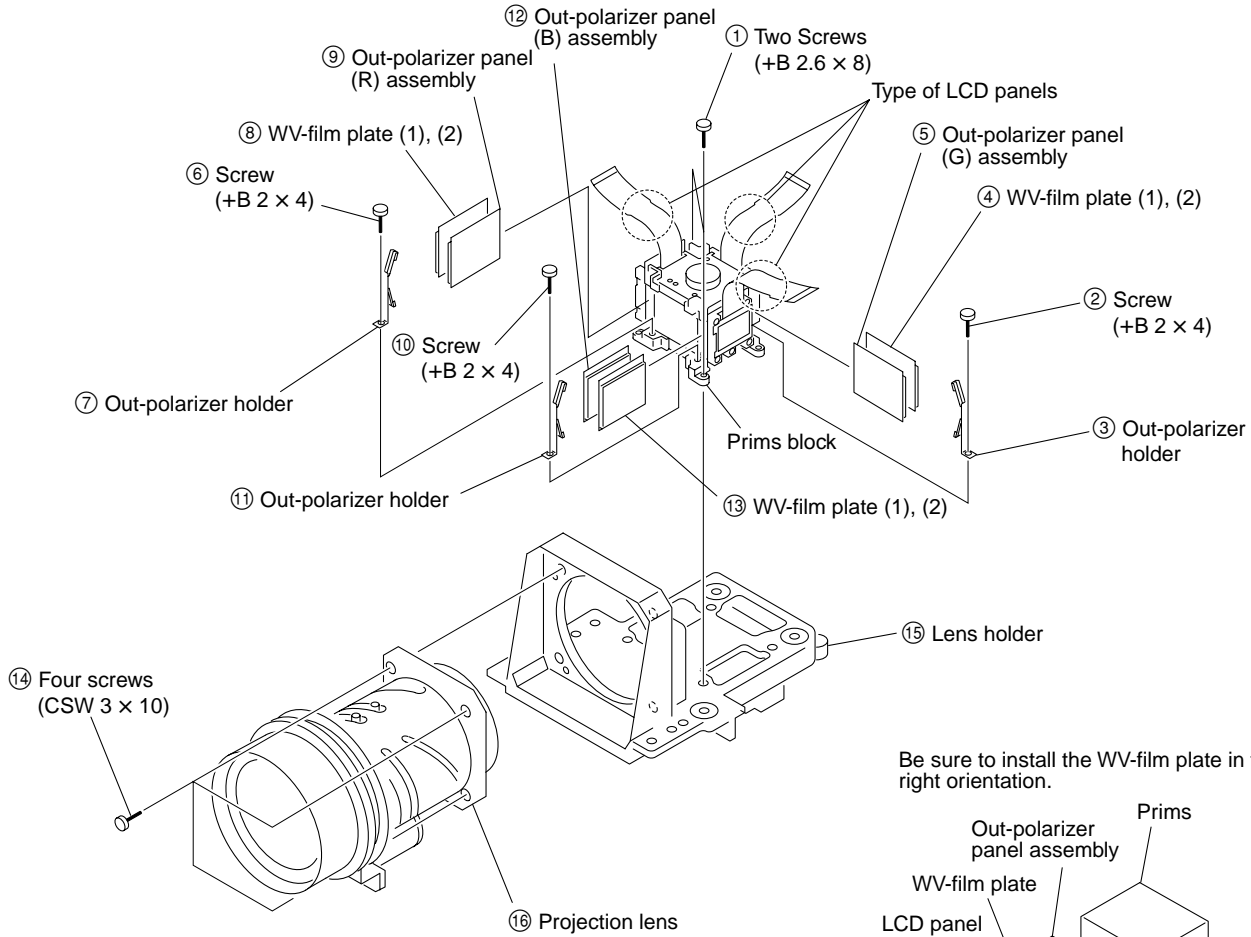
### 1-3-9. Opt Unit Assembly and Projection Lens, Prism Block Assembly

- Remove the C board. (Refer to 1-3-4.)
- Remove the opt block assembly. (Refer to 1-3-8.)



### 1-3-10. Projection Lens and WV-Film Plate (1), (2)

- Remove the C board. (Refer to 1-3-4.)
- Remove the opt block assembly. (Refer to 1-3-8.)
- Remove the projection lens, prism block assembly. (Refer to 1-3-9.)



• Precautions when replacing the WV-film plate

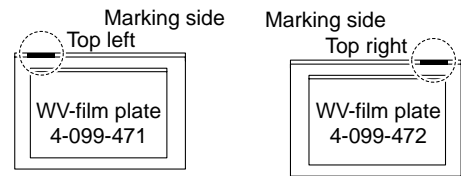
The WV-film plate to be used varies depending on the type of LCD panels and the respective R/G/B channels. Use the part specified respectively.

LCD Panel Combination 1	R-ch	G-ch	B-ch
Type of LCD panels	LCX043ASB	LCX043ARB	LCX043ASB
WV-film plate	WV-film plate (1) 4-099-471-01	WV-film plate (2) 4-099-472-11	WV-film plate (1) 4-099-471-21

LCD Panel Combination 2	R-ch	G-ch	B-ch
Type of LCD panels	LCX043ARB	LCX043ASB	LCX043ARB
WV-film plate	WV-film plate (2) 4-099-472-01	WV-film plate (1) 4-099-471-11	WV-film plate (2) 4-099-472-21

Note: Use the panel in above described combination

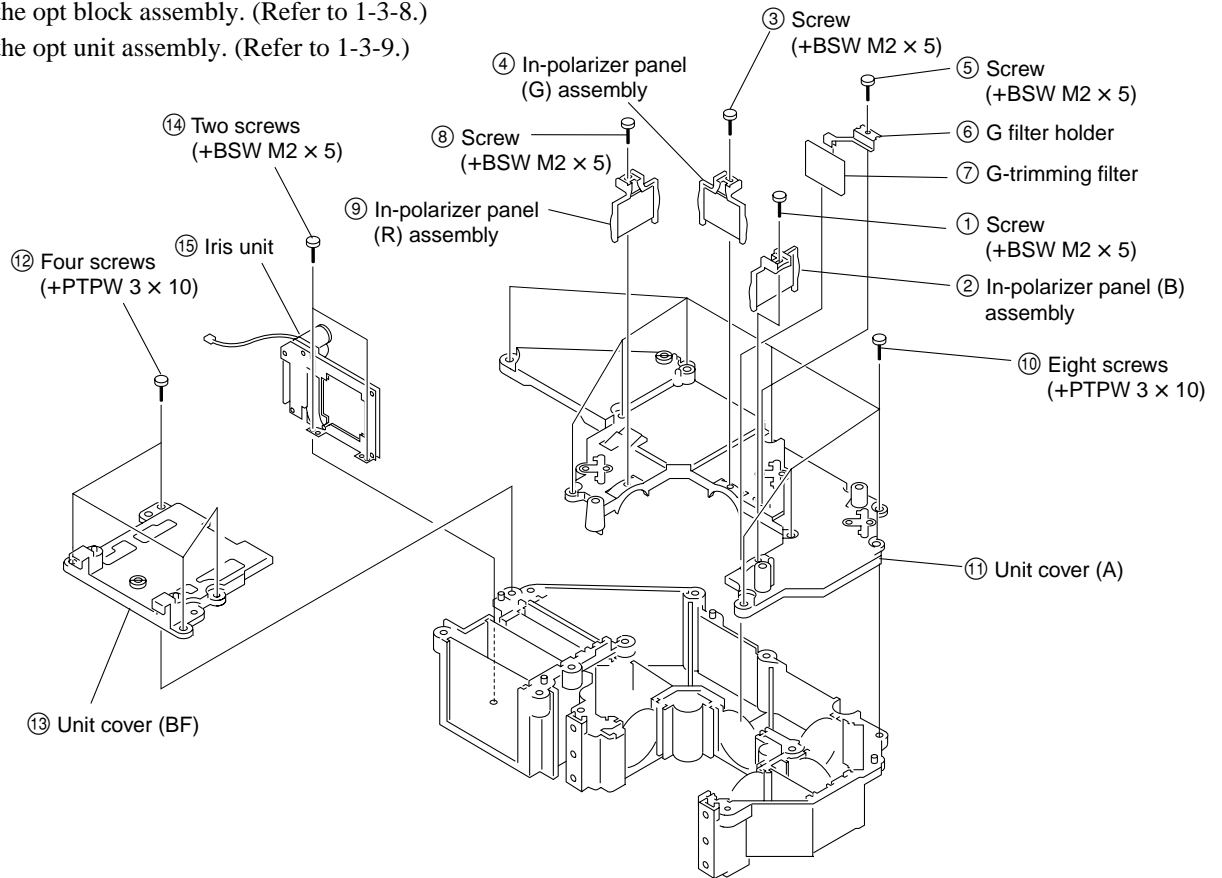
Precautions when replacing the WV-film plate (1)



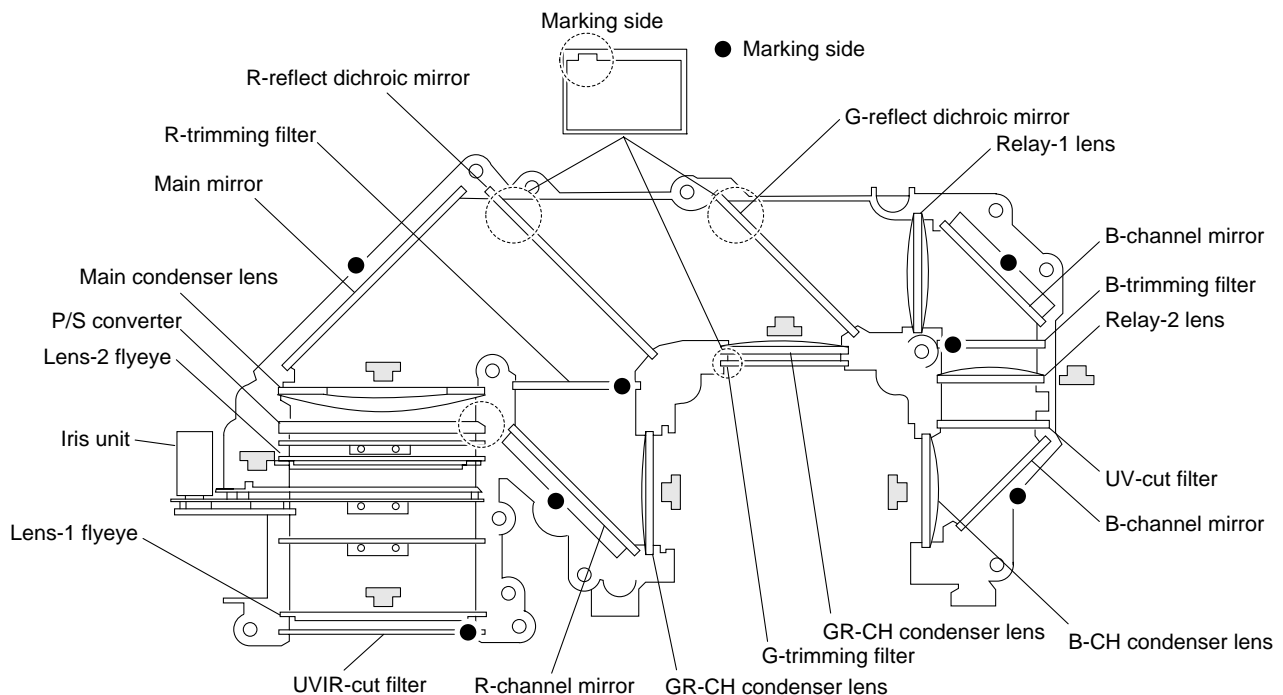


### 1-3-11. Iris Unit and In-Polarizer panel (R), (G), (B) assembly

- Remove the C board. (Refer to 1-3-4.)
- Remove the opt block assembly. (Refer to 1-3-8.)
- Remove the opt unit assembly. (Refer to 1-3-9.)



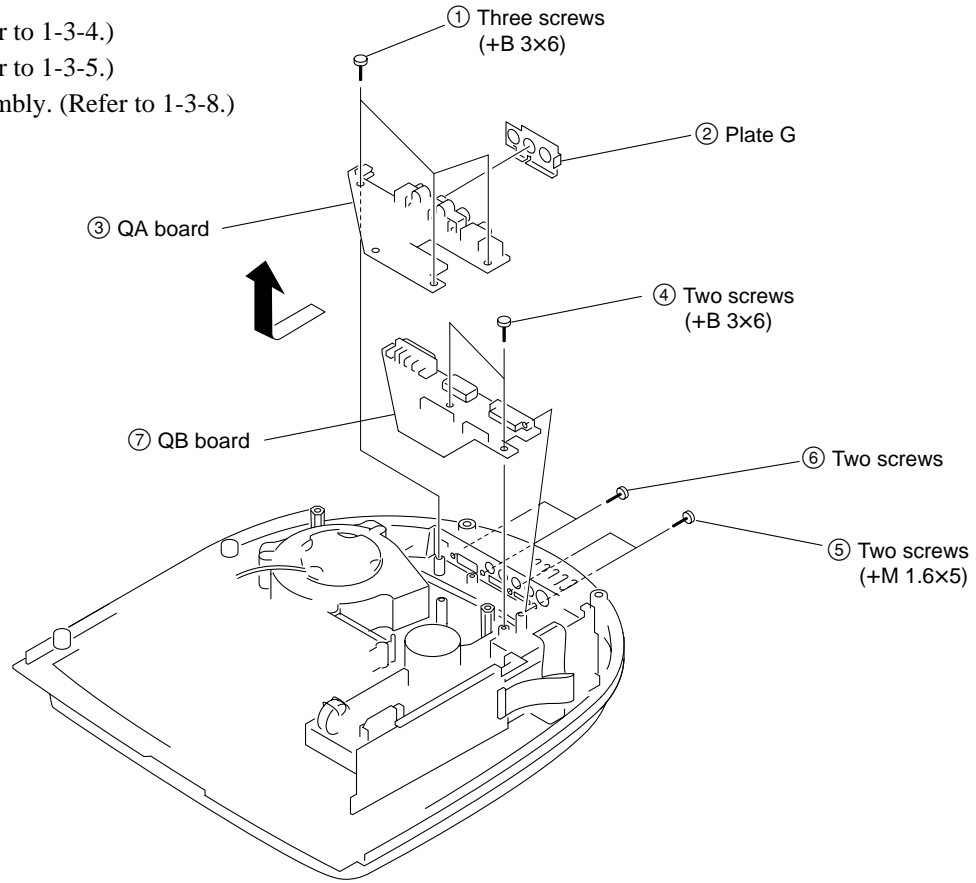
### 1-3-12. Each Part Direction of Opt Unit Assembly



Note: Marked with □ indicates as shown below. Projection side ← □ → Flat side

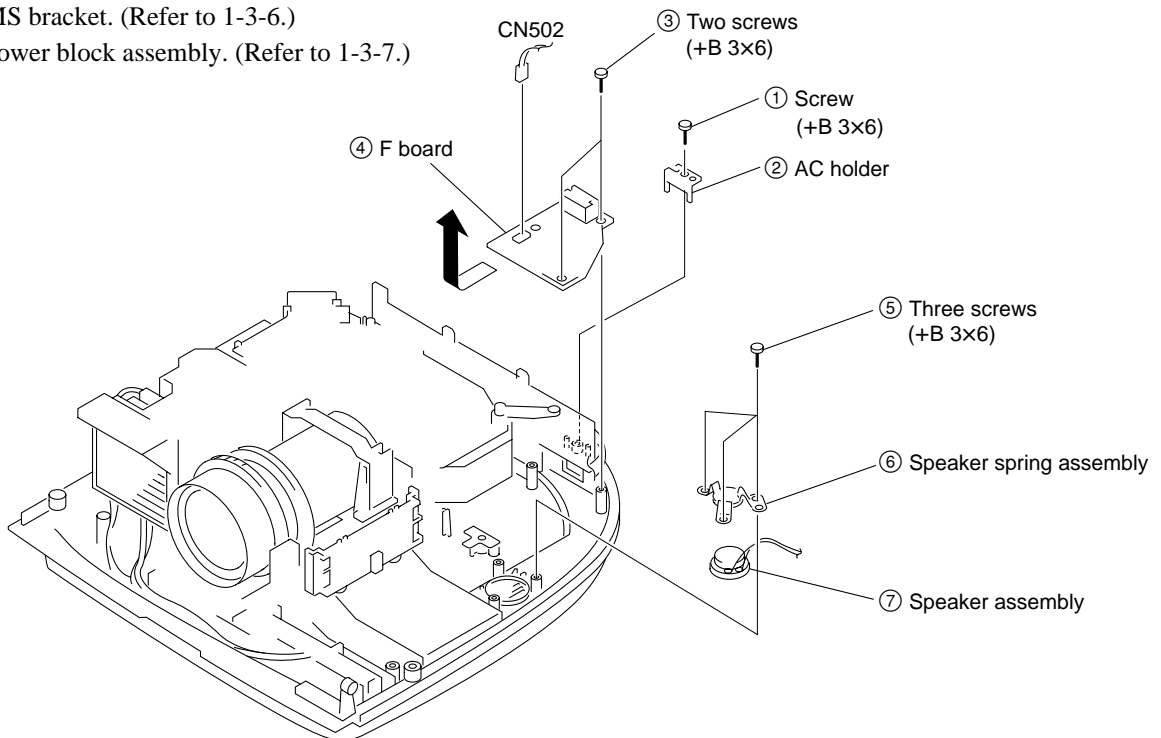
### 1-3-13. QA, QB Boards

- Remove the C board. (Refer to 1-3-4.)
- Remove the B board. (Refer to 1-3-5.)
- Remove the opt block assembly. (Refer to 1-3-8.)

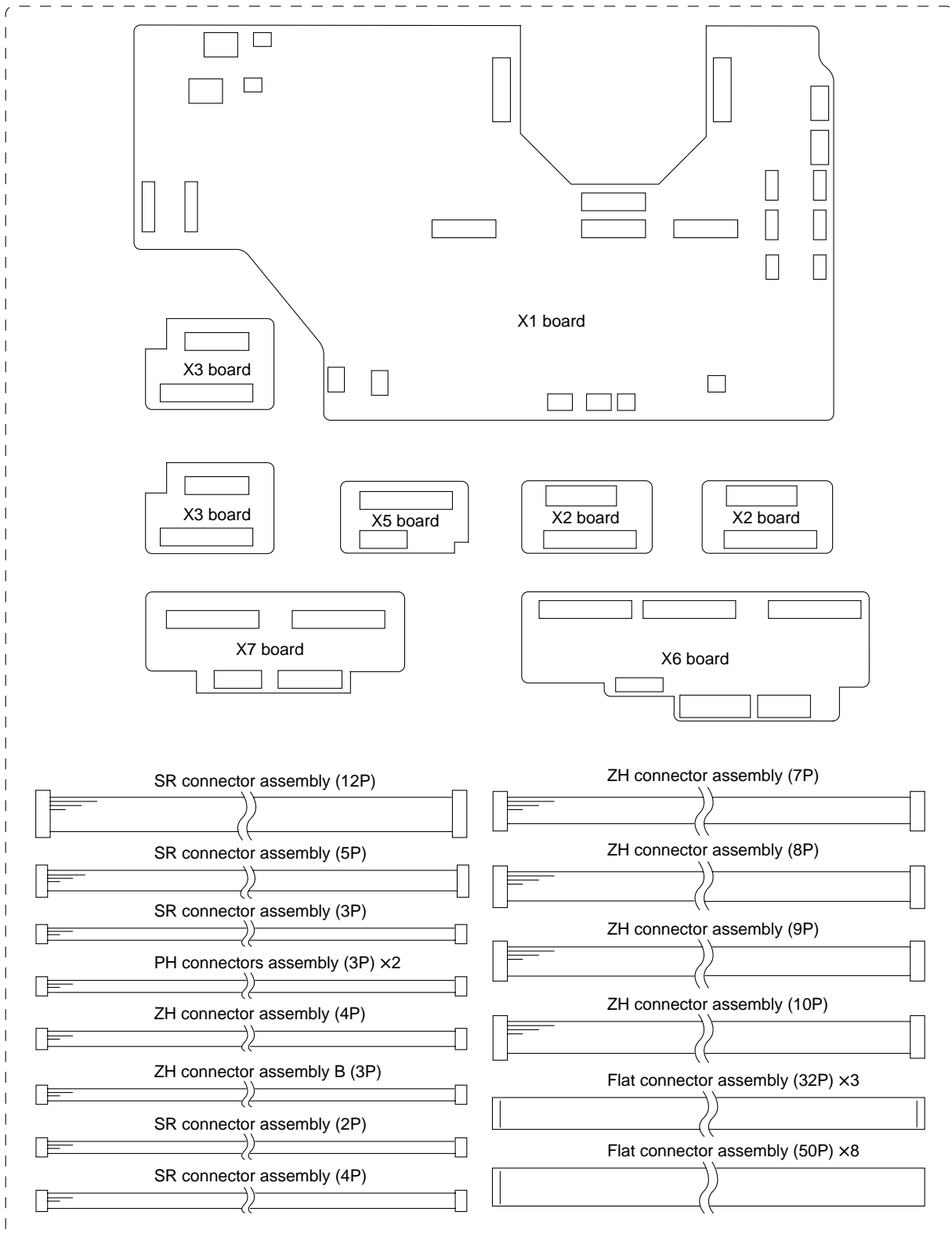


### 1-3-14. F Board and Speaker Assembly

- Remove the C board. (Refer to 1-3-4.)
- Remove the MS bracket. (Refer to 1-3-6.)
- Remove the power block assembly. (Refer to 1-3-7.)



### 1-3-15. Extension Board and Extension Connectors

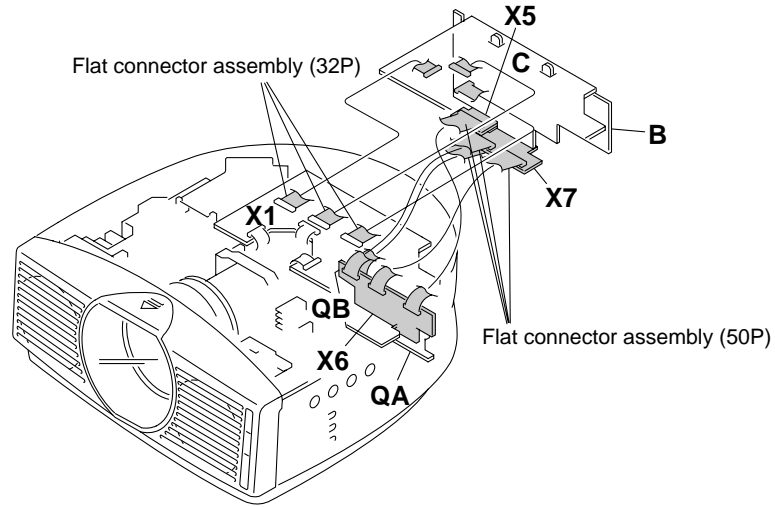


X kit assembly (A-1606-452-A)

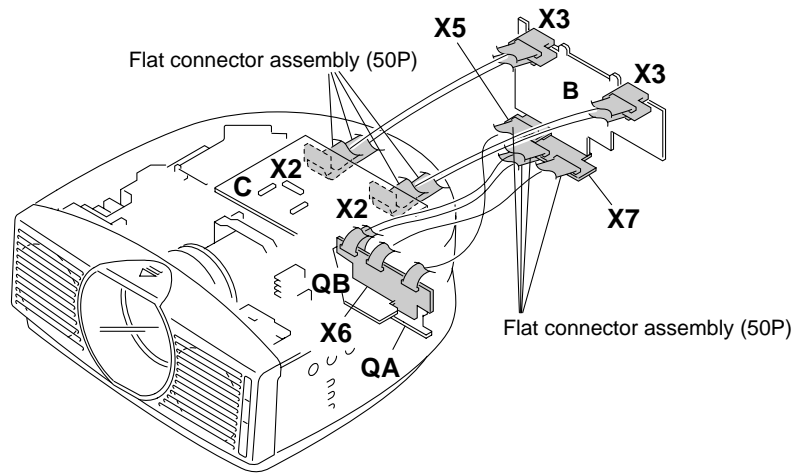


### 1-3-17. Connection Example

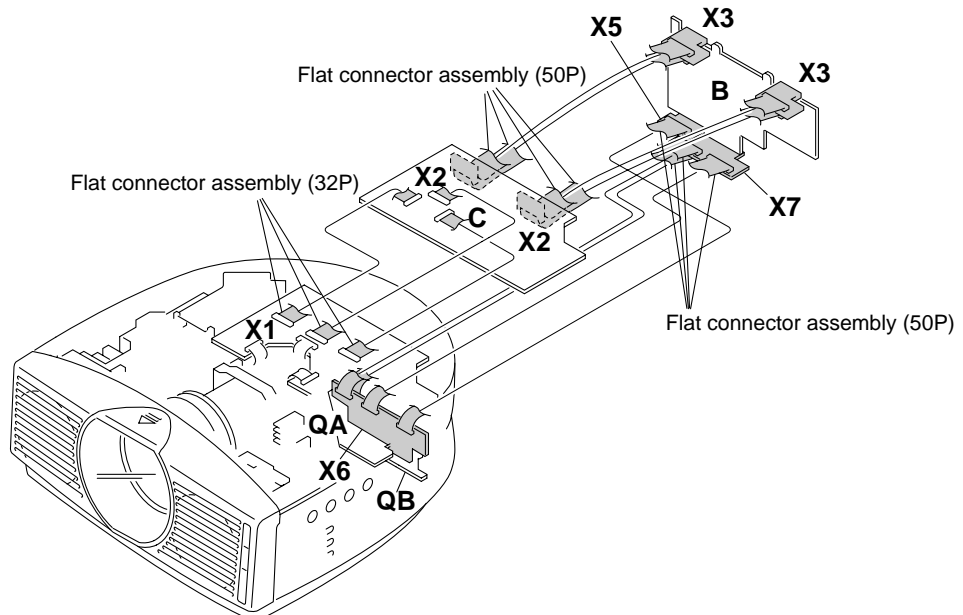
#### For C Board



#### For B Board



#### For C, B Boards



## 1-4. Service Knowhow

### 1-4-1. After Replacing the Prism Block

1. Perform Section “2-2. V COM Adjustment.”
2. Perform the Look Up Table or 3D GAMMA data writing of the Prism Block.
3. Perform Section “2-4. White Balance Adjustment on Servicing.”

### 1-4-2. After Replacing the Board

- Refer to the cross table shown on right.
- There are no need to perform the adjustment when the board other than the B board or C board had been replaced.

#### 1) When Replacing the B Board

##### When the data before replacement can be read properly

1. Make a note of the data before replacement. After replacement, write the data into the new board with service mode.
2. If the white balance is extremely deteriorated, perform the white balance adjustment (Refer to Section 2-4.).

##### When the data before replacement cannot be read

1. Perform Section “2-2. V COM Adjustment.”
2. Perform Section “2-4. White Balance Adjustment on Servicing.”
3. Perform Section “2-5. Tilt Adjustment.”

#### 2) When Replacing the C Board

1. Before replacement, unsolder the IC705 from the replaced C board and then mount it to the new board.
2. Perform Section “2-2. V COM Adjustment.”
3. If the white balance is extremely deteriorated, perform the white balance adjustment (Refer to Section 2-4.).
4. Perform Section “2-5. Tilt Adjustment.”

#### 3) When Replacing the Other Board

There are no need to perform the adjustment.

Cross Table of Board Replacement

Device Name	Item Name	Board Name	
		B	C
OTHER	TILT C0	*	○
	TILT C1	*	○
	TILT C2	*	○
P.DRV	VCOM (R)	*	○
	VCOM (G)	*	○
	VCOM (B)	*	○
INPUT-A HIGH	W/B ADJUST		
	GAIN R	*	○
	GAIN G	*	○
	GAIN B	*	○
	BIAS R	*	○
	BIAS G	*	○
	BIAS B	*	○
INPUT-A LOW	GAIN R	*	○
	GAIN G	*	○
	GAIN B	*	○
	BIAS R	*	○
	BIAS G	*	○
	BIAS B	*	○
INPUT-A HIGH	GAIN R	*	○
	GAIN G	*	○
	GAIN B	*	○
	BIAS R	*	○
	BIAS G	*	○
	BIAS B	*	○
INPUT-A MID	GAIN R	*	○
	GAIN G	*	○
	GAIN B	*	○
	BIAS R	*	○
	BIAS G	*	○
	BIAS B	*	○
VIDEO MID	GAIN R	*	○
	GAIN G	*	○
	GAIN B	*	○
	BIAS R	*	○
	BIAS G	*	○
	BIAS B	*	○
VIDEO LOW	GAIN R	*	○
	GAIN G	*	○
	GAIN B	*	○
	BIAS R	*	○
	BIAS G	*	○
	BIAS B	*	○

\* : When down the data before replacement, and then write in the data after the board replacement.

○ : Need adjustment

Value : See description.

## 1-5. Memory

Memory structure consists of the following five memory blocks.

1. Set memory
2. Status memory
3. Chroma memory
4. W/B memory
5. Channel memory
6. Image Flip memory
7. Picture memory

CPU internal ROM : 384 kbyte Flash Memory

CPU internal ROM : 30 kbyte

External NVM memory : 16 kbyte EEPROM

Gamma memory is actualized through Gamma mode functions' offsetting the output values to the Contrast and Brightness devices.

When the power plug is connected to the power line (Standby status), all data inside the internal ROM are written into the NVM (Nonvolatile Memory). When the power is turned to on, required data for the current picture, such as status memory data, etc., are selected, and they are written into the internal RAM.

When adjustment is carried out, adjustment data are written into the NVM automatically (items on the user mode) or by the trigger of memory operation (items on the service mode and special service mode), then stored them. Adjustable items (W/B and Device Adjust) of the service mode and special service mode are memorized into the NVM by the memory operation. At the same time, the factory preset (adjusted) data are all eliminated from the memory.

Set Memory	
Status Memory	No.01
	No.02
	No.03
	No.04
	...
	No.99

Set Memory			
Status Memory	No.01		
	No.02		
	Input-A Preset	No.03	
		No.04	
		...	
		No.99	
		Input-A User	No.101
			...
			No.120
			...
	Component	No.03	
		No.04	
		No.99	
	Digital Preset	No.03	
		No.04	
		No.99	
	Digital User	No.121	
		No.140	
	HDMI	No.03	
		No.04	
		...	
		No.99	
	MS	No.53	
		...	
No.69			

Set Memory	
Status Memory	

Chroma Memory	
Chroma Memory	NT358/443/BW60 PAL/PAL-M/N/ SECAM/BW50 15k RGB Component (15k) Two times speed Component HDTV (YPbPr) HDTV (GBR) (Include two times speed)
	NT358/443/BW60 PAL/PAL-M/N/ SECAM/BW50 15k RGB Component (15k) Two times speed Component HDTV (YPbPr) HDTV (GBR) (Include two times speed)
	NT358/443/BW60 PAL/PAL-M/N/ SECAM/BW50 15k RGB Component (15k) Two times speed Component HDTV (YPbPr) HDTV (GBR) (Include two times speed)
	NT358/443/BW60 PAL/PAL-M/N/ SECAM/BW50 15k RGB Component (15k) Two times speed Component HDTV (YPbPr) HDTV (GBR) (Include two times speed)
	NT358/443/BW60 PAL/PAL-M/N/ SECAM/BW50 15k RGB Component (15k) Two times speed Component HDTV (YPbPr) HDTV (GBR) (Include two times speed)
	NT358/443/BW60 PAL/PAL-M/N/ SECAM/BW50 15k RGB Component (15k) Two times speed Component HDTV (YPbPr) HDTV (GBR) (Include two times speed)

W/B Memory		
W/B Memory	Computer	High
		Middle
		Low
	Others	Custom1
		Custom2
		Custom3

W/B Memory		
W/B Memory	Computer	High
		Middle
		Low
	Others	Custom1
		Custom2
		Custom3

Chroma Memory	
Chroma Memory	

W/B Memory		
W/B Memory	Computer	High
		Middle
		Low
	Others	Custom1
		Custom2
		Custom3

Channel Memory	Video
	S Video1
	Input-A
	Video 2
	S Video 2
	Component
	DVI
HDMI	
MS	

Channel Memory	Video 1
	S Video 1
	Input-A
	Video 2
	S Video 2
	Component
	DVI
HDMI	
MS	

Channel Memory

Image Flip Memory	Turn over to the upper and lower sides
	No turn over to the upper and lower sides

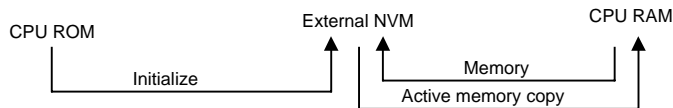
Image Flip Memory	Turn over to the upper and lower sides
	No turn over to the upper and lower sides

Image Flip Memory

Picture Memory	All Input Channel	Dynamic
		Standard
		Cinema
		User1
		User2
User3		

Picture Memory	Video 1	Dynamic
		Standard
		Cinema
		User1
		User2
		User3
	S Video 1	Dynamic
		Standard
	Cinema	
	User1	
	User2	
	User3	
Input-A	Dynamic	
	Standard	
	Cinema	
	User1	
	User2	
	User3	
Video 2	Dynamic	
	Standard	
	Cinema	
	User1	
	User2	
	User3	
S Video 2	Dynamic	
	Standard	
	Cinema	
	User1	
	User2	
	User3	
Component	Dynamic	
	Standard	
	Cinema	
	User1	
	User2	
	User3	
DVI	Dynamic	
	Standard	
	Cinema	
	User1	
	User2	
	User3	
HDMI	Dynamic	
	Standard	
	Cinema	
	User1	
	User2	
	User3	
MS	Dynamic	
	Standard	
	Cinema	
	User1	
	User2	
	User3	

Picture Memory





## 1-6. Warning on Power Connection

Use a proper power cord for your local power supply.

	<b>The United States, Canada</b>	<b>Continental Europe</b>	<b>UK</b>	<b>Australia</b>	<b>Japan</b>
Plug type	YP-11	YP-21	SP-61	B8	YP-13
Female end	YC-13L	YC-13L	YC-13L	C7-2	YC-13L
Cord type	SPT-2	H03VVH2-F	H03VVH2-F	H03VVH2-F	VCTFK
Rated Voltage & Current	10 A/125 V	2.5 A/250 V	2.5 A/250 V	2.5 A/250 V	7 A/250 V
Safety approval	UL/CSA	VDE	BS	SAA	DENANHO
Cord length (max.)	4.5 m	–	–	–	–



## Section 2

# Electrical Adjustments

### 2-1. Preparations

#### 2-1-1. Equipment Required

- Oscilloscope  
Tektronix 2465 or equivalent  
(bandwidth: 350 MHz or more)
- NTSC, PAL, SECAM component signal generator  
Tektronix TG2000 + AVG1 (optional module) + AWVG1  
(optional module) or equivalent
- VG (Programmable video signal generator)  
VG854 or equivalent
- Digital voltmeter  
Advantest TR6845 or equivalent
- Luminance meter
- Chrominance difference gauge

#### Note

Perform the following adjustments at least 5 minutes after turning on the power.

#### 2-1-2. Factory Mode Setting

1. Make sure that the MENU is indicated.
2. Exit the menu.
3. Press the keys in the following order:  
“ENTER” → “ENTER” → “LEFT” → “ENTER”
4. The message “Do you wish to enter into the  
FACTORY MODE? Yes:↑ No:↓” will be displayed.
5. Select “Yes:↑”.

#### Note

- When leaving the FACTORY MODE, perform item 3.  
“Do you wish to return to the USER MODE? Yes:↑ No:↓  
” will be displayed. Select “Yes:↑”.
- Cannot enter FACTORY MODE by MS channel.

### 2-2. V COM Adjustment

1. Input the green-only XGA 1 Lime ON/OFF signal to  
INPUT-A, and set the CONTRAST to 70.
2. Set the screen to G VCOM adjustment of “Device  
Adjust.”
3. Adjust the G VCOM so that the flicker on the screen is  
minimum.
4. Change the input signal to the red-only and blue-only  
1 line ON/OFF signal respectively and adjust R  
VCOM and B VCOM respectively so that the flicker  
becomes minimum as described in step 3.
5. Save the value adjusted.
6. Set the “Image Flip” to either “V” or “HV”.
7. Input the R/G/B value adjusted as above step 5.
8. Save the value adjusted.
9. Set the “Image Flip” to “OFF”.

## 2-3. Adjustment Item Initialize Data

MenuTitle	ItemName	Memory Name							
		Set Memory	Status Memory	Picture Memory					
				All Input Ch.					
				Dynamic	Standard	Cinema	User1	User2	User3
PICTURE SETTING	Picture Mode		*						
	Adjust Picture...								
	Contrast			80	80	80	80	80	80
	Brightness			55	50	50	50	50	50
	Color			60	50	50	50	50	50
	Hue			50	50	50	50	50	50
	Sharpness			50	50	50	50	50	50
	Black Level Adj.			Low	Off	Off	Off	Off	Off
	Gamma Correction			Off	Off	Off	Off	Off	Off
	Color Temp.			Middle	Middle	Low	Middle	Middle	Middle
	Custom1...								
	Gain R	0							
	G	0							
	B	0							
	Bias R	0							
	G	0							
	B	0							
	Custom2...								
	Gain R	0							
	G	0							
	B	0							
	Bias R	0							
	G	0							
	B	0							
	Custom3...								
	Gain R	0							
	G	0							
	B	0							
	Bias R	0							
	G	0							
	B	0							
	I/P Mode(Video/15K)				DDE Film	DDE Film	DDE Film	DDE Film	DDE Film
	I/P Mode(1080i)				DDE Film	DDE Film	DDE Film	DDE Film	DDE Film
Cinema Black Pro...									
Iris Control				Off	Off	On	Off	Off	
Lamp Control				High	Low	Low	Low	Low	
Volume	30								
INPUT SETTING	Adjust Signal...								
	Dot Phase		15 (*)						
	H Size		*						
	Shift		*						
	Wide Mode			Full	Full	Full	Full	Full	
	V Position(Zoom)			4	4	4	4	4	
	V Position(Sub Title)			4	4	4	4	4	
	Title Area			0	0	0	0	0	
SET SETTING	Smart APA	On							
	Auto Input Search	On							
	Input-A Signal Sel.	Component							
	DVI Signal Sel.	Video GBR							
	Color System	Auto							
	Power Saving	Off							
	Illumination	On							

\* : “Dot Phase, H Size, Shift H/V and Picture Mode” in the “INPUT SETTING” menu have an initial value respectively in accordance with the input signal (PRESET MEMORY No.).

Note : There are nonadjustable items in accordance with the input signal.



MenuTitle	ItemName	Memory Name							
		Set Memory	Status Memory	Picture Memory					
				All Input Ch.					
				Dynamic	Standard	Cinema	User1	User2	User3
MENU SETTING	Status	On							
	Language	English							
	Menu Position	Center							
	Menu Color	Black							
INSTALL SETTING	V Keystone	Manual							
	Manual...	0							
	Side Shot	Off							
	Image Flip	Off							
	Background	Blue							
	Test Pattern	On							
	High Altitude Mode	Off							
INFORMATION	fH	Indication only							
	fV	Indication only							
	(Memory No.)	Indication only							
	(Resolution)	Indication only							
	Lamp Timer	Indication only							
	ROM Version	Indication only							
	SC ROM Version	Indication only							
	Operation Timer	Indication only							
W/B SETTING	Prev. Lamp Timer	Indication only							
	Gain R								
	G								
	B								
	Bias R								
	G								
B									

\* : “Dot Phase, H Size, Shift H/V and Picture Mode” in the “INPUT SETTING” menu have an initial value respectively in accordance with the input signal (PRESET MEMORY No.).

Note : There are nonadjustable items in accordance with the input signal.



DeviceName	ItemName	Memory Name											
		Set Memory	Status Memory	Chroma Memory						HDTV (YPbPr)	HDTV(GBR) Include two times speed		
				NT358/NT443 /BW60	Pal/Pal-M/N/ Secam/BW50	15kRGB	Component (15k)	Two times speed Component					
A/D Converter	ADC/	Clamp Position		*2									
		Clamp Width		*2									
		R Gain(Other)											
		R Gain(Component)											
		R Gain(VideoGBR)											
		G Gain(Other)											
		G Gain(Component)											
		G Gain(VideoGBR)											
		B Gain(Other)											
		B Gain(Component)											
		B Gain(VideoGBR)											
		R Offset(Other)											
		R Offset(Component)											
		R Offset(VideoGBR)											
		G Offset(Other)											
		G Offset(Component)											
		G Offset(VideoGBR)											
		B Offset(Other)											
		B Offset(Component)											
B Offset(VideoGBR)													
Sync Sep Th		32											
Pre Coast			2										
Post Coast			8										
Bandwidth			3										
Chroma/D.Comb	Chroma/	Ch1 Gain(NTSC3.58)											
		Ch1 Gain(Other)											
		Ch2 Gain(NTSC3.58)											
		Ch2 Gain(Other)											
		Video Sharp			0	0	-	-	-	-	-	-	-
		Video Brt			134	133	-	-	-	-	-	-	-
		Video Cont			72	81	-	-	-	-	-	-	-
		Video Color			64	64	-	-	-	-	-	-	-
		Video Hue			0	0	-	-	-	-	-	-	-
		LCBW											
		Y-DeLay		*1									
		HODG			2	2	2	2	-	-	-	-	-
		VEDG			2	2	2	2	-	-	-	-	-
		MEDG			2	2	2	2	-	-	-	-	-
		VEDT			1	1	1	1	-	-	-	-	-
		Ch3 Gain(NTSC3.58)											
		Ch3 Gain(Other)											
		Ch4 Gain(NTSC3.58)											
		Ch4 Gain(Other)											
		YUV Sharp		0									
		YUV Brt						133	133	-	-	-	-
		YUV Cont						81	81	-	-	-	-
		YUV Color						64	64	-	-	-	-
		Luma COR			0	0	0	0	0	-	-	-	-
		Luma F0			0	0	0	0	0	-	-	-	-
		Luma SHP			0	0	0	0	0	-	-	-	-
		Chm COR			0	0	0	0	0	-	-	-	-
		Chm F0			0	0	0	0	0	-	-	-	-
		Chm SHP			0	0	0	0	0	-	-	-	-
		AOSL			-								
Status 1		Indication only											
Status 2		Indication only											

Note : There are nonadjustable items in accordance with the input signal.

\*1 : Depends on the color system and the input terminal.

\*2 : Depend on the input signal.





DeviceName	ItemName	Memory Name										
		Set Memory	Status Memory	Chroma Memory						HDTV (YPbPr)	HDTV(GBR) <small>(Include two times speed)</small>	
				NT358/NT443 /BW60	Pal/Pal-M/N/ Secam/BW50	15kRGB	Component (15k)	Two times speed Component				
Panel Driver	P.Drv	Offset R										
		Offset G										
		Offset B										
		V Common R										
		V Common G										
		V Common B										
		Psig 1 R	3									
		Psig 1 G	3									
		Psig 1 B	3									
		Psig 2 R	89									
		Psig 2 G	90									
		Psig 2 B	89									
		Signal Center R	31									
		Signal Center G	31									
		Signal Center B	31									
		Gain R	158									
	Gain G	158										
	Gain B	158										
	SH/	SH1	47									
	Other/	V Corn Ptn Enb	Adjustment is impossible									
Installation		Adjustment is impossible										
Other	3D Gamma	Through	0									
		SW	1									
	Other/	HST Position	492									
		HST Phase	48									
		HST Width	0									
	Temp/	Thresh Lamp										
		Thresh Panel										
		Thresh Atmos										
	Fan/	Hi Alt Const										
		High Alt Cofe										
	Fan1/	Cont Max										
		Speed Max										
		Speed Min										
		Cont Slope										
	Fan2/	Cont Max										
		Speed Max										
		Speed Min										
		Cont Slope										
	Fan3/	Cont Max										
		Speed Max										
		Speed Min										
		Cont Slope										
	Other/	Synchronous	1									
		Tilt C0	Factory default setting									
		Tilt C1	Factory default setting									
		Tilt C2	Factory default setting									
		X Tilt	Indication only									
Y Tilt		Indication only										
TL		Indication only										
TP		Indication only										
TA		Indication only										
Gamma		Factory default setting										

Note : There are nonadjustable items in accordance with the input signal.



DeviceName	ItemName	Memory Name													
		Set Memory	Status Memory	Chroma Memory							HDTV (YPbPr)	HDTV(GBR) <small>Include two times speed</small>			
				NT358/NT443 /BW60	Pal/Pal-M/N/ Secam/BW50	15kRGB	Component (15k)	Two times speed Component							
IP	Ip/	CTI Tap	3												
		CTI Shift	1												
		CTI Limit	128												
		CTI Gain	20												
		Sharp Limit	255												
		MD Thresh C	8												
		MD Thresh 0	16												
		VS	1												
		Continue	1												
		Edit Detect	0												
		Indicator	0												
		Manual	0												
		Manual Pair	0												
		Manual State	0												
		Field Times	2												
		Noise Thresh	4												
		Disp Area	0												
		VS Limit	64												
		VS Core	4												
		Hysteresis	1												
	Hysteresis Data	2													
	22 Pre Post Rate	15													
	22 Pre Post Thresh	2													
	Film Times 22	3													
	YNR On	0													
	CNR On	0													
	Ip2/	Sudare Rate 32	4												
Sudare Thresh 32		64													
Sudare Rate 22		4													
Sudare Thresh 22		40													
UV PhaseSel				*2											

Note : There are nonadjustable items in accordance with the input signal.

\*2 : Depend on the input signal.



## 2-4. White Balance Adjustment on Servicing

### 2-4-1. Computer

---

#### Preparation

1. Set the unit from the menu as follows.  
Picture Mode: Cinema  
Adjust Picture  
Contrast: 80  
Brightness: 50  
Gamma Correction: OFF  
Cinema Black Pro:  
Iris Control: ON  
Lamp Control: Low
2. Set each mode of “Color Temp:” as follows.  
Gain: 150  
Bias: 127
3. Set INPUT-A Signal Sel. to “Computer”.

---

#### Adjustment

##### 1. Middle

1. Set “Color Temp:” to Middle.
2. Input WXGA 80IRE Window white (3 colors: RGB) to INPUT-A and adjust the GAIN of G of white balance so that the chromaticity (y80) is within specification.  
x80:  $0.294 \pm 0.002$   
y80:  $0.310 \pm 0.003$   
Then, set the reference color as follows and adjust the GAIN of colors other than the reference color of white balance so that the chromaticity (x80 and y80) is within specification.  
x80  $\geq 0.294$ : B reference  
y80  $< 0.294$ : R reference
3. Input WXGA 20IRE Window white (3 colors: RGB) to INPUT-A and adjust the BIAS of colors other than G of white balance so that the chromaticity (x20 and y20) is within specification.  
x20:  $0.294 \pm 0.002$   
y20:  $0.310 \pm 0.003$
4. Input WXGA 80IRE Window white (3 colors: RGB) to INPUT-A and adjust the GAIN of colors other than the reference color of white balance so that the chromaticity (x80 and y80) is within specification.

5. Repeat steps 3 and 4, and adjust each GAIN and BIAS of RGB so that x and y are within the following specification.  
x:  $0.294 \pm 0.002$   
y:  $0.310 \pm 0.003$
6. Save the adjustment values.

##### 2. High

1. Set “Color Temp:” to High.
2. Input WXGA 80IRE Window white (3 colors: RGB) to INPUT-A and adjust the GAIN of G of white balance so that the chromaticity (y80) is within specification.  
x80:  $0.284 \pm 0.002$   
y80:  $0.298 \pm 0.003$   
Then, set the reference color as follows and adjust the GAIN of colors other than the reference color of white balance so that the chromaticity (x80 and y80) is within specification.  
x80  $\geq 0.294$ : B reference  
y80  $< 0.294$ : R reference
3. Input WXGA 20IRE Window white (3 colors: RGB) to INPUT-A and adjust the BIAS of colors other than G of white balance so that the chromaticity (x20 and y20) is within specification.  
x20:  $0.294 \pm 0.002$   
y20:  $0.310 \pm 0.003$
4. Input WXGA 80IRE Window white (3 colors: RGB) to INPUT-A and adjust the GAIN of colors other than the reference color of white balance so that the chromaticity (x80 and y80) is within specification.
5. Repeat steps 3 and 4, and adjust each GAIN and BIAS of RGB so that x and y are within the following specification.  
x:  $0.284 \pm 0.002$   
y:  $0.298 \pm 0.003$
6. Save the adjustment values.

##### 3. Low

1. Set “Color Temp:” to Low.
2. Input WXGA 20IRE Window white (3 colors: RGB) to INPUT-A and adjust the BIAS of colors other than G of white balance so that the chromaticity (x20 and y20) is within specification.  
x20:  $0.313 \pm 0.002$   
y20:  $0.329 \pm 0.003$

3. Input WXGA 80IRE Window white (3 colors: RGB) to INPUT-A and adjust the GAIN of colors other than R of white balance so that the chromaticity (x80 and y80) is within specification.
4. Repeat steps 2 and 3, and adjust each GAIN and BIAS of RGB so that x and y are within the following specification.  
x:  $0.313 \pm 0.002$   
y:  $0.329 \pm 0.003$
5. Save the adjustment values.

#### 4. Custom1/2/3

1. Copy the values adjusted in “1. Middle”, “2. High” and “3. Low” as follows.  
Custom1: High  
Custom2: Middle  
Custom3: Low
2. Save the adjustment values.

### 2-4-2. Video

---

#### Preparation

1. Set the unit from the menu as follows.

Picture Mode:	Cinema
Adjust Picture	
Contrast:	80
Brightness:	50
Color:	50
Hue:	50
Sharpness:	50
Black Level Adj.:	OFF
Gamma Correction:	OFF
Cinema Black Pro:	
Iris Control:	ON
Lamp Control:	Low
2. Set each mode of “Color Temp:” as follows.  
Gain: 150  
Bias: 127
3. Set INPUT-A Signal Sel. to “Component” or “Video GBR”.

---

#### Adjustment

The adjustment procedures of “1. Middle”, “2. High” and “3. Low” modes are the same as those in “2-4-1. Computer”.

#### Notes

- Use the two times speed Component or two times speed VideoGBR signal as the input signal according to step 3 in Preparation.
- Use the reference color of Middle and High same as that in “2-4-1. Computer”.

#### 2-5. Tilt Adjustment

#### Note

Do not put the unit upward and downward in the vertical direction for more than ten seconds.

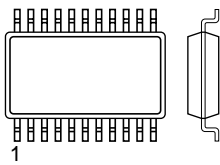
1. Set the Factory mode to “Device Adjust/OTHER”.
2. Set the adjuster in contracted position.
3. Then, enter the X TILT value to C0.
4. Set the unit upward in vertically.
5. Then, enter the X TILT value to C1.
6. Set the unit downward in vertically.
7. Then, enter the X TILT value to C2.
8. Save the each values of C0, C1 and C2 described in step3, 5 and 7.





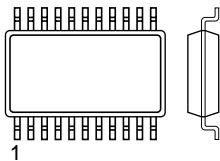
## Section 3 Semiconductors

24LC21AT/SN  
BR24L02F-WE2  
CY25025SZC-1T  
HN58X24256FPIZ  
MAX1626ESA-TE2  
MM1096AFF  
MM1228XFBE  
NE57814DD.118  
ST24FC21M6TR  
TA75W393FU  
TA75W393FU-TE12R  
TC7WH125FK(TE85R)  
TL431BCDR2



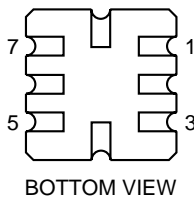
TOP VIEW  
8PIN SOP

74VHC02MTCX



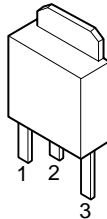
TOP VIEW  
14PIN SOP

ADXL202JE-REEL

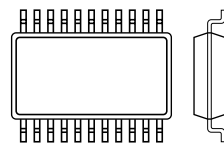


BOTTOM VIEW

AIC117A-PEJTR  
AIC117A-18PEJTR  
AIC117A-25PEJTR  
AIC117A-33PEJTR  
AIC117A-50PEJTR

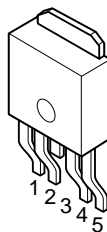


AK4352VT-E2  
CY27027ZCT  
SN74LV4052APWR  
SN74LV4053APWR  
TPA2000D1PW

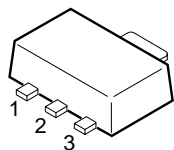


TOP VIEW  
16PIN SOP

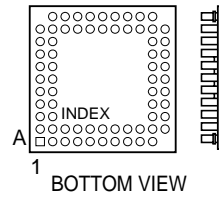
BA00ASFP-E2



BA05FP-E2

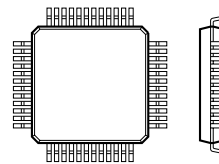


CXD9670GP



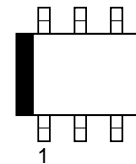
127PIN BGA

HD64F2376VFQ33V



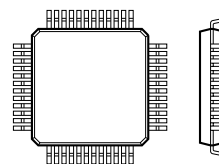
TOP VIEW  
144PIN QFP

IRMF-A0T-QTP  
TK11900MTL



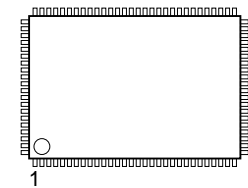
TOP VIEW

LC4032V-75TN48C-DLY  
LC4032V-75TN48C-MTC



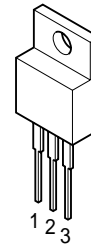
TOP VIEW  
48PIN QFP

K4D263238F-UC50T

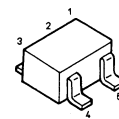


100PIN TQFP

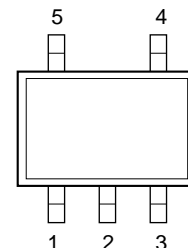
L88M05T-FA-TL  
LM1117MPX-1.8  
NJM78M09DL1A(TE1)  
NJM78M12DL1A-TE1



LMC7101BIM5X  
LP2985IM5X-1.8/NOPB



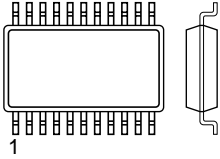
LP2985IM5X-3.3  
S-80928CNMC-G8YT2G  
TC7S66FU  
TC7S66FU(TE85R)  
TC7SA04FU(TE85R)  
TC7SH04FU  
TC7SH04FU-TE85R



5PIN CHIP

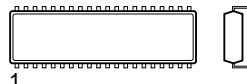
# IC, Transistor

M52347FP-TE  
SN74AHCT541PWR  
SN74LV125APWR  
SN74LV244APWR  
SN74LVC244APWR  
SN74LV541APWR



1  
TOP VIEW  
18PIN DIP

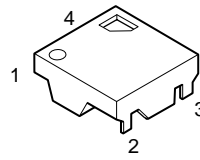
MCZ3001D



1  
TOP VIEW

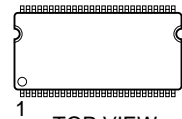
18PIN DIP

RS-140-T



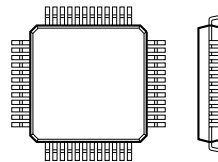
2SA1162-G  
2SA1162-YG-TE85L  
2SA1576A-T106-QR  
2SC2712-YG  
2SC2712-YG-TE85L  
2SC4081-R  
2SC4081T106R  
DTA144EUA-T106  
DTC114EU  
DTC114EUA-T106  
DTC144EUA-T106

MT48LC8M16A2TG-75-Y95WT

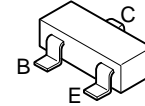


1  
TOP VIEW  
54PIN TSSOP

UPD64083GF-3BA

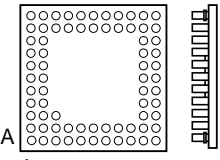


1  
TOP VIEW  
100PIN QFP



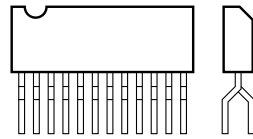
2SA1213Y-TE12L

MB93401A



A  
1  
BOTTOM VIEW  
288PIN BGA

MZ1540

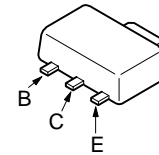


1  
MARKING SIDE VIEW

TDA7309D013TR

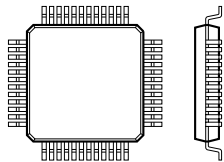


1  
TOP VIEW  
20PIN DIP



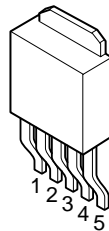
2SK2876-01MR-F122

MB93491

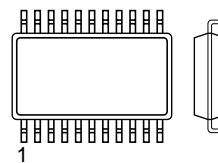


1  
TOP VIEW  
176PIN QFP

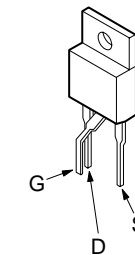
PQ025EZ01ZPH



ST72T631K4M1-201

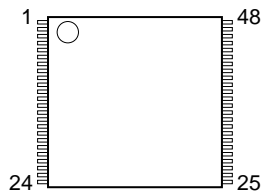


1  
TOP VIEW  
34PIN SOP

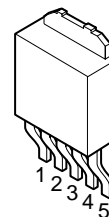


2SJ463A-T1

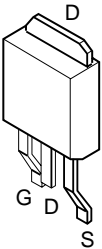
MBM29LV160BE-90TN-57MS  
MX29LV800ATTC-70G-57PW



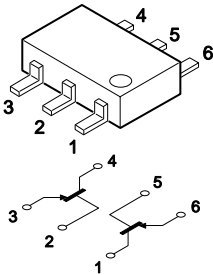
PQ20WZ1UJ00H



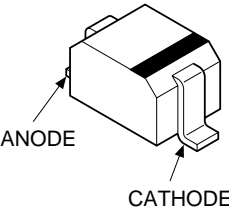
2SJ530S-TL



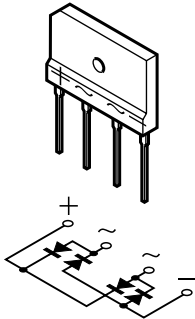
SSM6N15FU(TE85R)



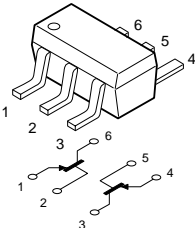
1SS355TE-17  
MA111-TX



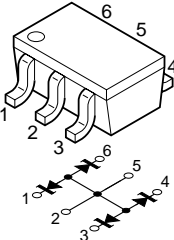
D6SB80



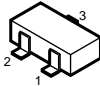
HN1B01FU-TE85R  
HN1C01FU-TE85R



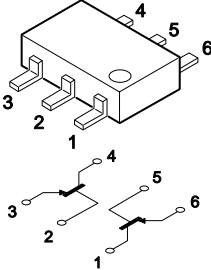
BZA456A



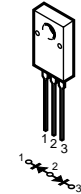
DAN202K  
DAN202K-T-146  
DAN202U  
DAN202UT106  
DAP202K  
DAP202K-T-146



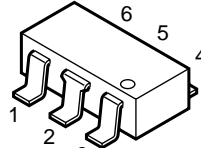
XP4501



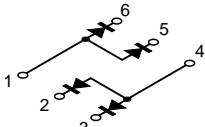
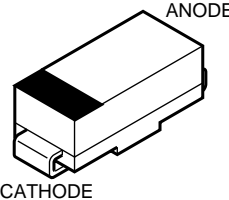
D10SC6M



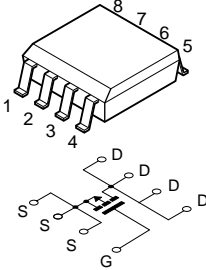
HN1D03FU-TE85R  
HN1D03FU-TE85L



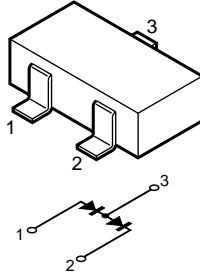
D1FS4A-TA  
D2FS4A-TA



SI4425DY-T1

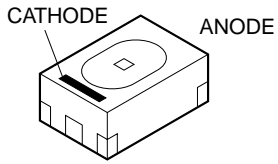


MA3J14700LS0

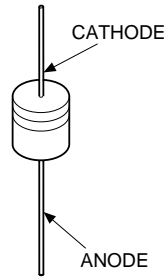


# Diode

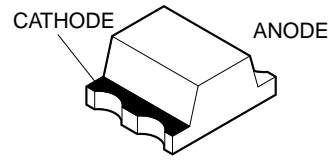
**NSCW100-TE4**



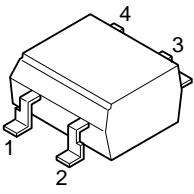
**RD15ES-B3  
RD15ES-T1B3**



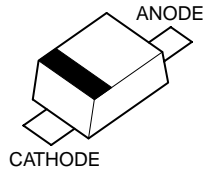
**SEC2422C**



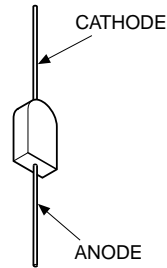
**PC123GY2**



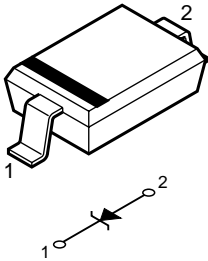
**UDZSITE-175.6B**



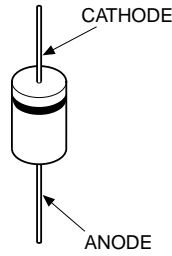
**RM11C  
RM11C-V1**



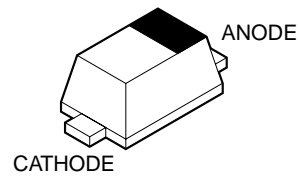
**RD12SB-T1  
RD3.9SB-T1  
RD5.6SB-T1**



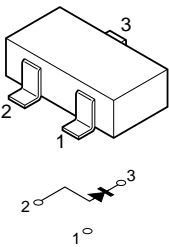
**UF4005PKG23**



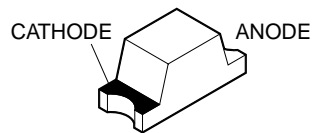
**RSB6.8SFTE61**



**RD13M-T1B  
RD18M-T1B1  
RD39M-T1B  
RD7.5M-B2  
RD7.5M-T1B  
UZM13B**



**SEC1801C  
SEC1901C**



## Section 4

### Spare Parts

#### 4-1. Notes on Repair Parts

##### 1. Safety Related Components Warning

###### **WARNING**

Components marked  $\triangle$  are critical to safe operation. Therefore, specified parts should be used in the case of replacement.

###### **WARNHINWEIS**

Les composants identifiés par la marque  $\triangle$  sont critiques pour la sécurité. Ne les remplacer que par une pièce portant le numéro spécifié.

##### 2. Standardization of Parts

Some repair parts supplied by Sony differ from those used for the unit. These are because of parts commonality and improvement.

Parts List has the present standardized repair parts.

##### 3. Stock of Parts

Parts marked with “o” at SP (Supply Code) column of the Spare Parts list may not be stocked. Therefore, the delivery date will be delayed.

Items with no part number and no description are not stocked because they are seldom required for routine service.

##### 4. Units for Capacitors, Inductors and Resistors

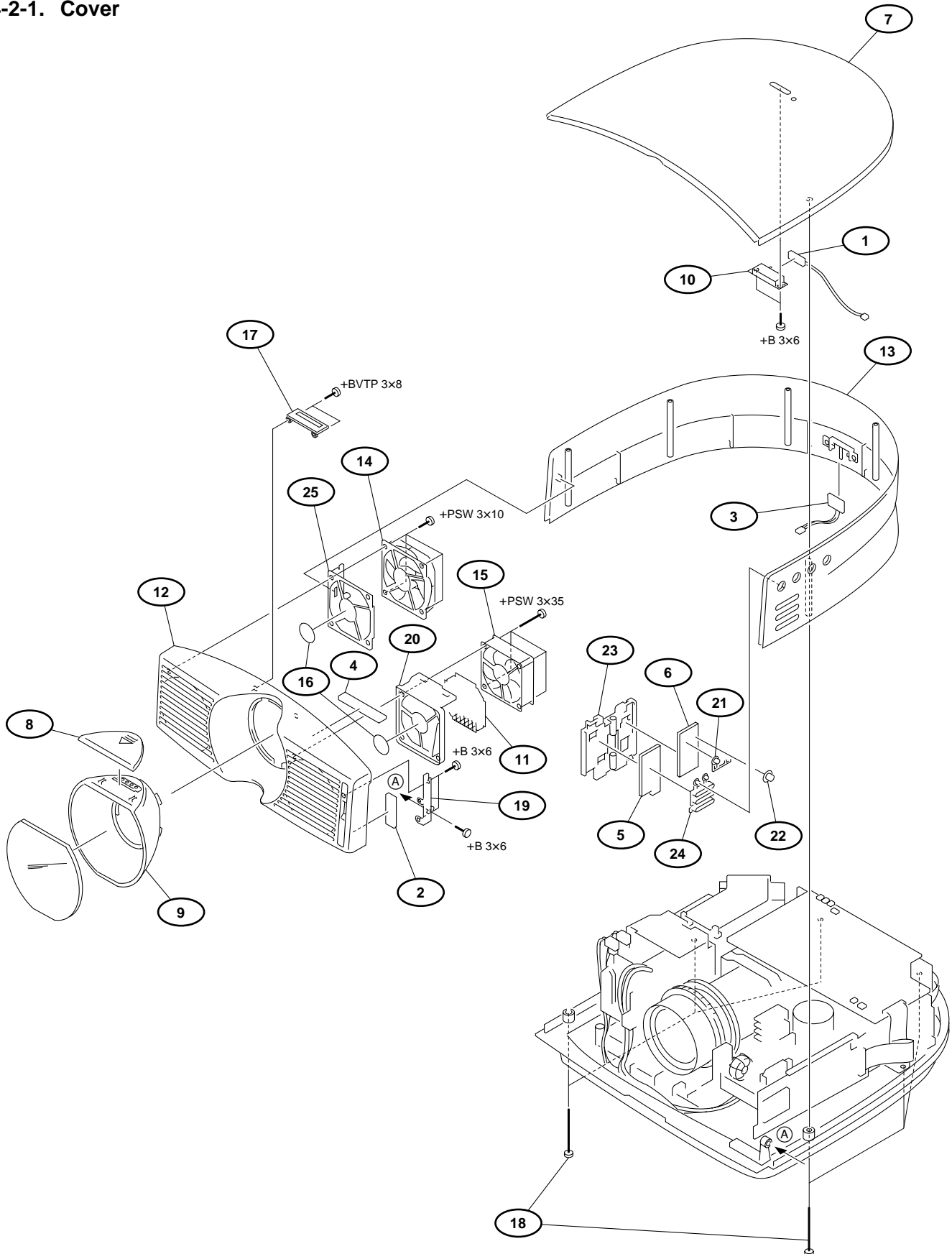
The following units are assumed in Schematic Diagrams, Electrical Parts List and Exploded Views unless otherwise specified.

Capacitors	: $\mu\text{F}$
Inductors	: $\mu\text{H}$
Resistors	: $\Omega$

# Cover

## 4-2. Exploded Views

### 4-2-1. Cover

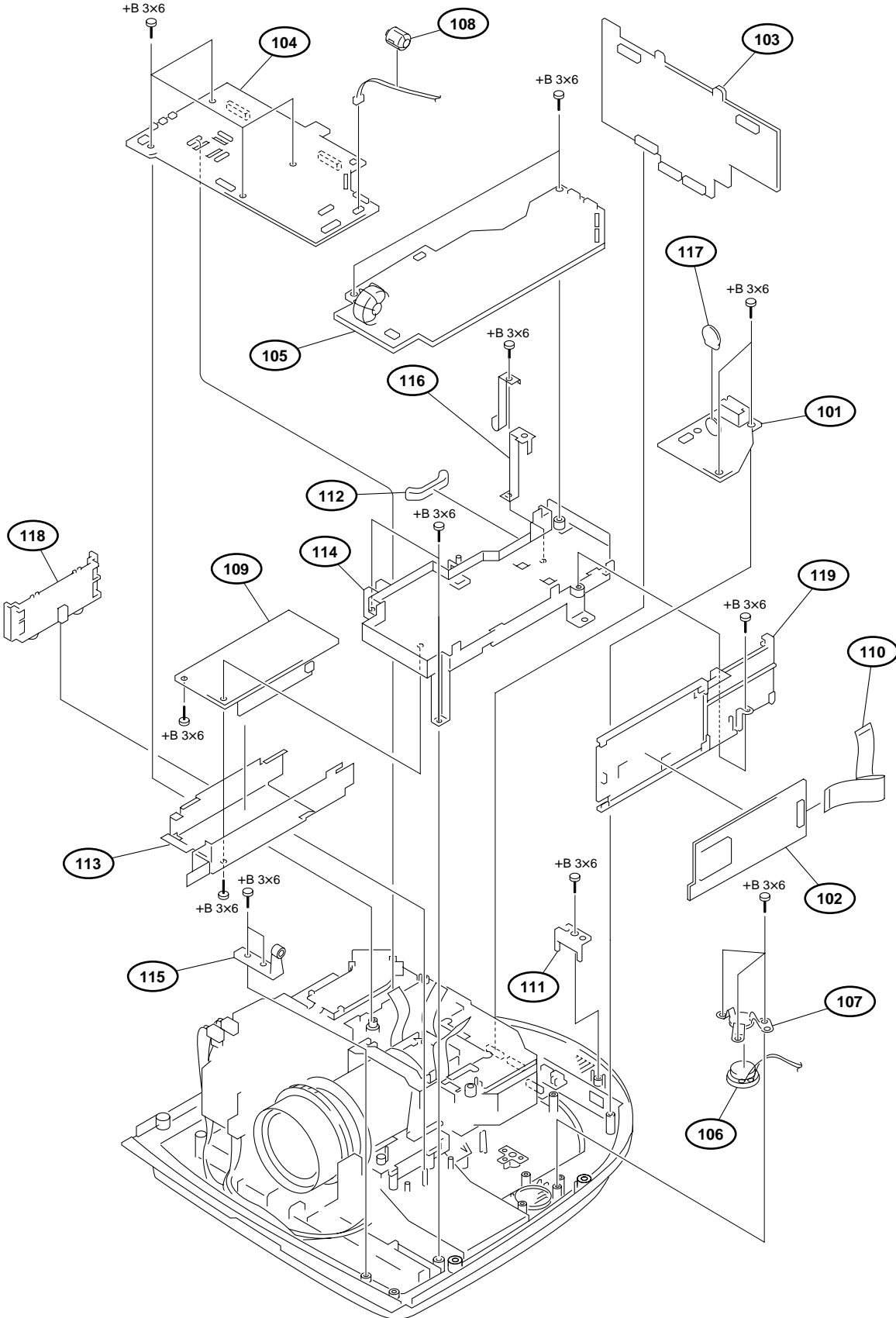


No.	Part No.	SP	Description
1	A-1405-996-A	s	MOUNTED CIRCUIT BOARD, L
2	A-1405-995-A	s	MOUNTED CIRCUIT BOARD, NF
3	A-1405-988-A	s	MOUNTED CIRCUIT BOARD, NR
4	A-1405-994-A	s	MOUNTED CIRCUIT BOARD, HC
5	A-1405-986-A	s	MOUNTED CIRCUIT BOARD, HA
6	A-1405-987-A	s	MOUNTED CIRCUIT BOARD, HB
7	△ X-4042-403-2	s	CABINET ASSY, TOP
8	X-4041-020-1	s	HOLDER FILTER (B) ASSY
9	X-4041-021-2	s	HOLDER, FILTER (A) ASSY
10	X-4041-023-1	s	GUIDE LIGHT ASSY
11	4-092-117-01	o	GUARD
12	△ X-4042-404-2	s	PANEL ASSY, FRONT
13	△ X-4042-402-1	s	COVER ASSY, SIDE
14	△ 1-763-422-12	s	FAN, DC
15	△ 1-763-874-12	s	FAN, D.C.
16	4-091-802-01	o	CUSHION, FAN
17	4-091-827-01	o	HOLDER, HOOD
18	4-091-831-01	s	SHAFT
19	4-091-840-01	o	HOLDER (FR)
20	4-091-858-02	o	BRACKET (PW), FAN
21	4-091-850-01	s	BUTTON (HB1)
22	4-091-851-03	s	BUTTON (HB2)
23	4-091-854-02	o	HOLDER (H)
24	4-091-855-03	s	BUTTON (HA)
25	4-091-856-02	o	HOLDER (92), FAN

## Screws/Washers

7-682-547-04	s	SCREW +B 3X6
7-685-646-79	s	SCREW +BVTP 3X8 (EP-FE/ZNBK/CM2)
7-682-949-01	s	SCREW +PSW 3X10 (EP-FE/ZNBK/CM2)
7-682-956-09	s	SCREW +PSW 3X35 (EP-FE/ZNBK/CM2)

4-2-2. Chassis





No.	Part No.	SP	Description
101	A-1302-476-A	s	MOUNTED CIRCUIT BOARD, F
102	A-1302-654-A	s	MOUNTED CIRCUIT BOARD, MS
103	A-1302-479-A	s	MOUNTED CIRCUIT BOARD, B
104	A-1302-480-A	s	MOUNTED CIRCUIT BOARD, C
105	A-1302-475-A	s	MOUNTED CIRCUIT BOARD, G
106	△ A-1603-999-B	s	SPEAKER ASSY
107	X-4039-453-1	o	SPRING ASSY, SPEAKER
108	1-500-249-11	s	BEAD, FERRITE (CASE)
109	△ 1-468-719-12	s	LAMP POWER SUPPLY BLOCK
110	1-900-270-03	o	FLAT CONNECTOR ASSY 50P
111	4-085-052-01	o	HOLDER (AC)
112	4-091-803-01	o	CUSHION, G BRACKET
113	4-091-810-03	o	COVER, G BRACKET
114	△ 4-091-865-04	o	BRACKET, POWER
115	4-091-826-02	o	HOLDER (FB)
116	4-091-834-01	o	PLATE, EARTH
117	4-374-846-01	o	COVER, CAPACITOR, CAP TYPE
118	4-091-847-01	o	BRACKET (MD)
119	4-091-857-01	o	BRACKET (MS)

## Screws/Washers

7-682-547-04	s	SCREW +B 3X6
--------------	---	--------------

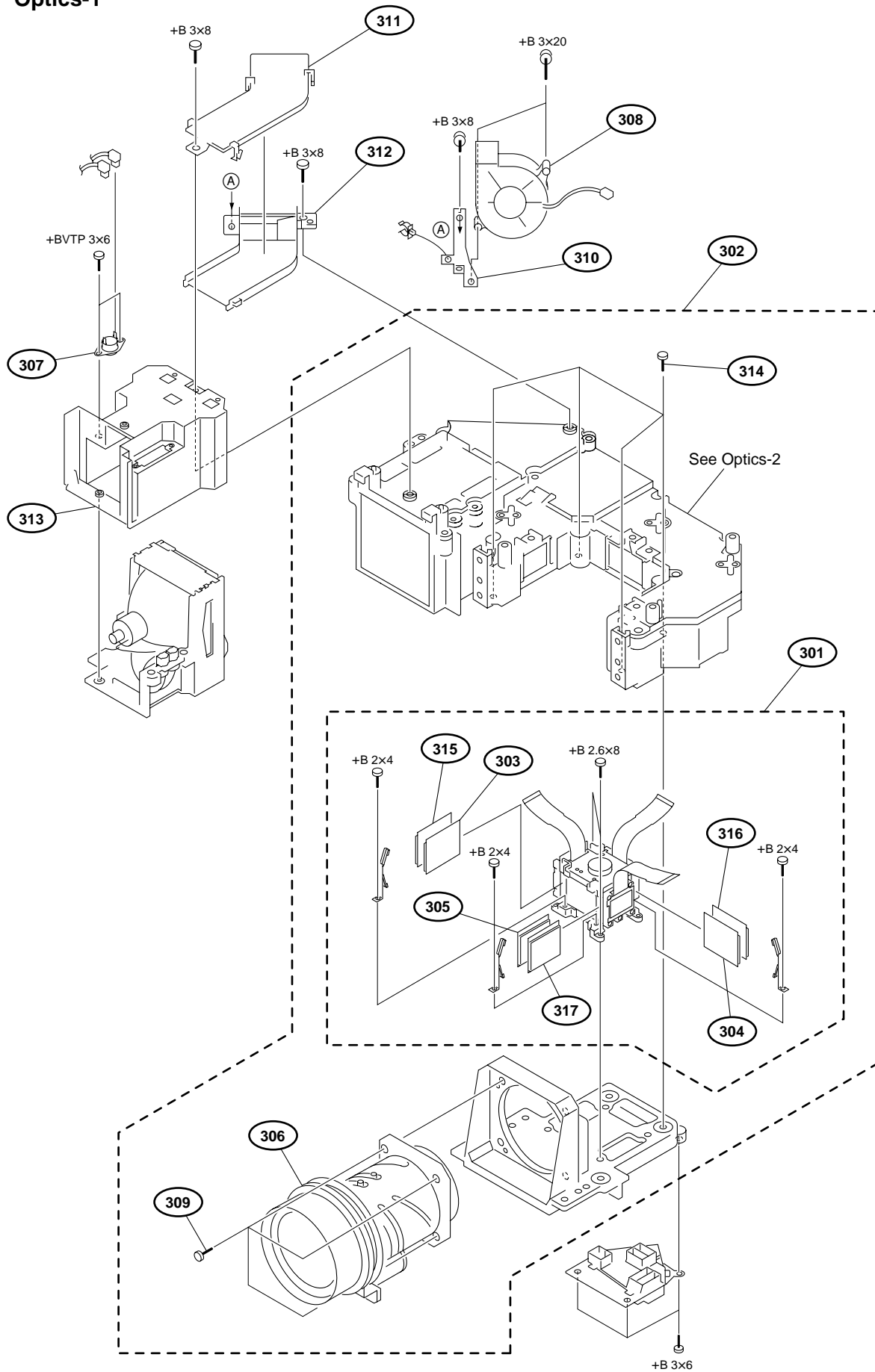


No.	Part No.	SP	Description
201	A-1302-477-A	s	MOUNTED CIRCUIT BOARD, QA
202	A-1302-478-A	s	MOUNTED CIRCUIT BOARD, QB
203	A-1405-984-A	s	MOUNTED CIRCUIT BOARD, U
204	△ X-4041-159-1	s	COVER ASSY, FILTER
205	△ X-4041-024-2	s	DOOR ASSY, LAMP
206	△ X-4042-401-2	s	BASE ASSY
207	△ 1-763-952-12	s	FAN, DC
208	4-091-861-01	o	BASE, UNIT
209	1-900-270-16	o	CONNECTOR ASSY, LAMP POWER
210	4-084-430-01	o	BRACKET, UNIT
211	4-085-075-01	s	SCREW M 1.6X5, SPECIAL HEAD
212	4-091-853-01	o	UNIT, BUTTON
213	4-091-806-01	o	PLATE, LIGHT INTERSEPTION
214	4-099-399-01	s	ADJUSTOR
215	4-091-816-01	o	DUCT IN (LOW)
216	4-091-817-02	o	DUCT IN (UP)
217	4-099-401-01	o	FOOT, REAR
218	4-091-842-01	o	PACKING (FAN)
219	4-091-841-01	s	BUTTON, ADJUSTOR

## Screws/Washers

7-682-547-04	s	SCREW +B 3X6
7-682-550-04	s	SCREW +B 3X12 (EP-FE/CU, NI, CR)
7-682-649-09	s	SCREW +PS 3X10 (EP-FE/ZNBK/CM2)
7-682-969-09	s	SCREW +PSW 4X35 (EP-FE/ZNBK/CM2)
7-685-647-79	s	SCREW +BVTP 3X10 (EP-FE/ZNBK/CM2)

4-2-4. Optics-1



No. Part No. SP Description

301 A-1606-420-A s PRIMS BLOCK ASSY  
 302 A-1606-419-A s OPT UNIT ASSY  
 303 A-1606-426-A s PANEL (R) ASSY, OUT-POLARIZER  
 304 A-1606-427-A s PANEL (G) ASSY, OUT-POLARIZER  
 305 A-1606-428-A s PANEL (B) ASSY, OUT-POLARIZER

306 A-1606-421-A s PROJECTION LENS ASSY  
 307  $\Delta$  1-576-523-11 s THERMOSTAT  
 308  $\Delta$  1-763-695-12 s FAN, DC  
 309 3-681-360-11 s SCREW, SPRING WASHER  
 310 4-091-805-01 o BRACKET FAN (R)

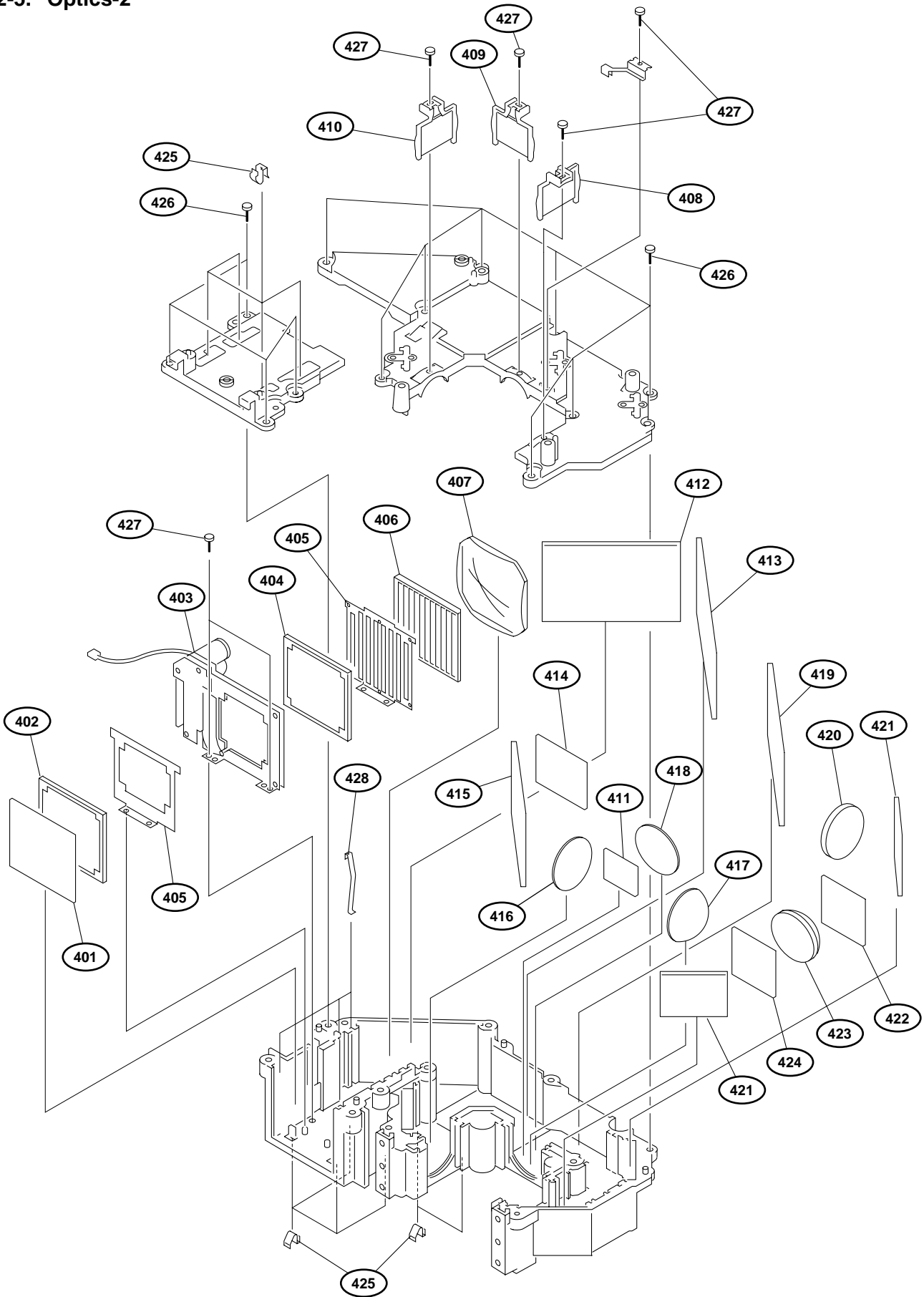
311 4-091-811-01 o DUCT LAMP (UP)  
 312 4-091-812-11 o DUCT LAMP (LOW)  
 313 4-091-814-02 o HOUSING, LAMP  
 314 4-382-854-11 s SCREW +PSW M3X10 (EP-EF/ZNBK/CM2)

315	4-099-471-01	s	PLATE, WV-FILM (1)	] WV-FILM PLATE to be used varies depending on the combination with the panels. Refer to 1-3-10. Disassembly for the combination with the panels.
315	4-099-472-01	s	PLATE, WV-FILM (2)	
316	4-099-471-11	s	PLATE, WV-FILM (1)	
316	4-099-472-11	s	PLATE, WV-FILM (2)	
317	4-099-471-21	s	PLATE, WV-FILM (1)	
317	4-099-472-21	s	PLATE, WV-FILM (2)	

Screws/Washers

7-621-775-40 s SCREW +B 2.6X8 (EP-EF/ZNBK/CM2)  
 7-682-547-04 s SCREW +B 3X6  
 7-682-548-04 s SCREW +B 3X8  
 7-682-553-09 s SCREW +B 3X20  
 7-685-645-79 s SCREW +BVTP 3X6 (EP-EF/ZNBK/CM2)  
 7-621-772-10 s SCREW +B 2X4

4-2-5. Optics-2



No.	Part No.	SP Description
401	4-097-628-01	s FILTER, UVIR-CUT
402	4-097-623-01	s FLYEYE, LENS-1
403	1-478-410-11	s IRIS UNIT
404	4-097-624-01	s FLYEYE, LENS-2
405	4-099-430-01	s APERTURE
406	4-097-622-01	s CONVERTER, P/S
407	4-097-629-01	s LENS, MAIN CONDENSER
408	A-1606-425-A	s PANEL (B) ASSY, IN-POLARIZER
409	A-1606-424-A	s PANEL (G) ASSY, IN-POLARIZER
410	A-1606-423-A	s PANEL (R) ASSY, IN-POLARIZER
411	4-099-469-01	s FILTER, G-TRIMMING
412	4-097-626-01	s MIRROR, MAIN
413	4-097-633-01	s DICHOIC MIRROR, R-REFLECT
414	4-097-635-02	s FILTER, R-TRIMMING
415	4-097-621-01	s MIRROR, R-CHANNEL
416	4-097-630-01	s LENS, GR-CH CONDENSER
417	4-097-617-01	s LENS, B-CH CONDENSER
418	4-097-630-11	s LENS, GR-CH CONDENSER
419	4-097-634-01	s DICHOIC MIRROR, G-REFLECT
420	4-097-631-01	s LENS, RELAY-1
421	4-097-625-01	s MIRROR, B-CHANNEL
422	4-097-647-11	s FILTER, B-TRIMMING
423	4-097-632-01	s LENS, RELAY-2
424	4-097-627-01	s FILTER, UV-CUT
425	4-092-421-01	o FASTENER (FY)
426	4-084-345-01	s (+) P TAPPING SCREW B-O (W)
427	4-089-527-02	s +BSW M2X5
428	4-082-745-01	o SPRING (FY)

### 4-3. Electrical Parts List

B BOARD

Ref. No. or Q'ty	Part No.	SP Description
1pc	A-1302-479-A	s MOUNTED CIRCUIT BOARD, B
C100	1-125-889-11	s CAPACITOR, C.CERAMIC 2.2MF
C101	1-125-889-11	s CAPACITOR, C.CERAMIC 2.2MF
C102	1-128-992-11	s CAPACITOR ELECT 47MF 25V
C103	1-131-992-11	s CAP, CERAMIC 100000PF F 1608
C150	1-128-992-11	s CAPACITOR ELECT 47MF 25V
C151	1-117-681-11	s CAPACITOR, ELECT 100MF/16V
C152	1-117-681-11	s CAPACITOR, ELECT 100MF/16V
C153	1-125-777-11	s CAPACITOR CERAMIC 0.1MF/10V
C154	1-115-156-11	s CAPACITOR,CERAMIC 1MF/10V(1608
C156	1-107-820-11	s CAPACITOR,CHIP CERAMIC 0.1MF F
C200	1-125-777-11	s CAPACITOR CERAMIC 0.1MF/10V
C201	1-164-392-11	s CAPACITOR CERAMIC 390PF/50V CH
C202	1-164-852-11	s CAPACITOR,CHIP CERAMIC 12PF/16
C203	1-164-852-11	s CAPACITOR,CHIP CERAMIC 12PF/16
C204	1-164-852-11	s CAPACITOR,CHIP CERAMIC 12PF/16
C205	1-164-852-11	s CAPACITOR,CHIP CERAMIC 12PF/16
C206	1-164-939-11	s CAPACITOR,CHIP CERAMIC 2200PF
C207	1-125-777-11	s CAPACITOR CERAMIC 0.1MF/10V
C208	1-107-820-11	s CAPACITOR,CHIP CERAMIC 0.1MF F
C210	1-125-777-11	s CAPACITOR CERAMIC 0.1MF/10V
C211	1-107-820-11	s CAPACITOR,CHIP CERAMIC 0.1MF F
C212	1-125-777-11	s CAPACITOR CERAMIC 0.1MF/10V
C215	1-107-820-11	s CAPACITOR,CHIP CERAMIC 0.1MF F
C216	1-125-777-11	s CAPACITOR CERAMIC 0.1MF/10V
C217	1-107-820-11	s CAPACITOR,CHIP CERAMIC 0.1MF F
C218	1-126-206-11	s CAPACITOR, ELECT 100MF/6.3V
C219	1-165-908-11	s CAP, CERAMIC 100000PF B 1608
C220	1-125-777-11	s CAPACITOR CERAMIC 0.1MF/10V
C221	1-125-777-11	s CAPACITOR CERAMIC 0.1MF/10V
C223	1-107-820-11	s CAPACITOR,CHIP CERAMIC 0.1MF F
C226	1-107-820-11	s CAPACITOR,CHIP CERAMIC 0.1MF F
C227	1-107-820-11	s CAPACITOR,CHIP CERAMIC 0.1MF F
C228	1-107-820-11	s CAPACITOR,CHIP CERAMIC 0.1MF F
C230	1-125-777-11	s CAPACITOR CERAMIC 0.1MF/10V
C231	1-125-777-11	s CAPACITOR CERAMIC 0.1MF/10V
C232	1-125-777-11	s CAPACITOR CERAMIC 0.1MF/10V
C233	1-125-777-11	s CAPACITOR CERAMIC 0.1MF/10V
C234	1-125-777-11	s CAPACITOR CERAMIC 0.1MF/10V
C235	1-126-205-11	s CAPACITOR,ELECT 47M/6.3
C236	1-125-777-11	s CAPACITOR CERAMIC 0.1MF/10V
C237	1-125-777-11	s CAPACITOR CERAMIC 0.1MF/10V
C239	1-164-860-11	s CAPACITOR,CHIP CERAMIC 27PF/16
C240	1-128-013-11	s CAPACITOR ELECT 1MF/50V
C241	1-128-004-11	s CAPACITOR ELECT 10MF/16V(CHIP)
C242	1-164-854-11	s CAPACITOR CERAMIC 15PF/16V CH
C243	1-164-854-11	s CAPACITOR CERAMIC 15PF/16V CH
C244	1-164-935-11	s CAPACITOR,CHIP CERAMIC 470PF
C245	1-107-820-11	s CAPACITOR,CHIP CERAMIC 0.1MF F
C246	1-128-013-11	s CAPACITOR ELECT 1MF/50V
C247	1-126-206-11	s CAPACITOR, ELECT 100MF/6.3V
C251	1-164-854-11	s CAPACITOR CERAMIC 15PF/16V CH
C252	1-115-339-11	s CAPACITOR,CERAMIC 0.1MF/50V
C253	1-128-004-11	s CAPACITOR ELECT 10MF/16V(CHIP)
C254	1-164-505-11	s CAPACITOR,CHIP CERAMIC 2.2MF
C255	1-126-204-11	s CAPACITOR, ELECT 47MF/16V(CHIP)
C256	1-164-854-11	s CAPACITOR CERAMIC 15PF/16V CH
C259	1-131-992-11	s CAP, CERAMIC 100000PF F 1608

(B BOARD)

Ref. No. or Q'ty	Part No.	SP Description
C261	1-117-681-11	s CAPACITOR, ELECT 100MF/16V
C262	1-128-392-11	s CAPACITOR,ELECT 470MF/6.3V
C263	1-128-013-11	s CAPACITOR ELECT 1MF/50V
C264	1-128-004-11	s CAPACITOR ELECT 10MF/16V(CHIP)
C265	1-126-209-11	s CAPACITOR,ELECT 100MF/4V
C266	1-126-607-11	s CAPACITOR,ELECT 47MF/4V
C267	1-126-607-11	s CAPACITOR,ELECT 47MF/4V
C268	1-126-209-11	s CAPACITOR,ELECT 100MF/4V
C269	1-126-246-11	s CAPACITOR ELECT 220MF/4V(CHIP)
C270	1-126-209-11	s CAPACITOR,ELECT 100MF/4V
C271	1-125-777-11	s CAPACITOR CERAMIC 0.1MF/10V
C300	1-164-854-11	s CAPACITOR CERAMIC 15PF/16V CH
C301	1-119-923-11	s CAPACITOR,CHIP CERAMIC 0.047MF
C302	1-164-854-11	s CAPACITOR CERAMIC 15PF/16V CH
C303	1-119-923-11	s CAPACITOR,CHIP CERAMIC 0.047MF
C305	1-119-923-11	s CAPACITOR,CHIP CERAMIC 0.047MF
C306	1-119-923-11	s CAPACITOR,CHIP CERAMIC 0.047MF
C307	1-107-820-11	s CAPACITOR,CHIP CERAMIC 0.1MF F
C308	1-126-206-11	s CAPACITOR, ELECT 100MF/6.3V
C309	1-119-923-11	s CAPACITOR,CHIP CERAMIC 0.047MF
C310	1-126-209-11	s CAPACITOR,ELECT 100MF/4V
C311	1-126-209-11	s CAPACITOR,ELECT 100MF/4V
C312	1-107-820-11	s CAPACITOR,CHIP CERAMIC 0.1MF F
C313	1-107-820-11	s CAPACITOR,CHIP CERAMIC 0.1MF F
C314	1-119-923-11	s CAPACITOR,CHIP CERAMIC 0.047MF
C315	1-119-923-11	s CAPACITOR,CHIP CERAMIC 0.047MF
C316	1-107-820-11	s CAPACITOR,CHIP CERAMIC 0.1MF F
C317	1-107-820-11	s CAPACITOR,CHIP CERAMIC 0.1MF F
C318	1-119-923-11	s CAPACITOR,CHIP CERAMIC 0.047MF
C319	1-164-943-11	s CAPACITOR,CHIP CERAMIC 0.01MF
C320	1-164-943-11	s CAPACITOR,CHIP CERAMIC 0.01MF
C321	1-164-943-11	s CAPACITOR,CHIP CERAMIC 0.01MF
C322	1-164-943-11	s CAPACITOR,CHIP CERAMIC 0.01MF
C323	1-107-820-11	s CAPACITOR,CHIP CERAMIC 0.1MF F
C324	1-119-923-11	s CAPACITOR,CHIP CERAMIC 0.047MF
C325	1-107-820-11	s CAPACITOR,CHIP CERAMIC 0.1MF F
C326	1-164-943-11	s CAPACITOR,CHIP CERAMIC 0.01MF
C327	1-119-923-11	s CAPACITOR,CHIP CERAMIC 0.047MF
C328	1-119-923-11	s CAPACITOR,CHIP CERAMIC 0.047MF
C329	1-119-667-11	s CAPACITOR CERAMIC 22MF/10V(F)
C330	1-119-923-11	s CAPACITOR,CHIP CERAMIC 0.047MF
C331	1-119-923-11	s CAPACITOR,CHIP CERAMIC 0.047MF
C332	1-119-923-11	s CAPACITOR,CHIP CERAMIC 0.047MF
C333	1-119-923-11	s CAPACITOR,CHIP CERAMIC 0.047MF
C334	1-119-923-11	s CAPACITOR,CHIP CERAMIC 0.047MF
C335	1-119-923-11	s CAPACITOR,CHIP CERAMIC 0.047MF
C336	1-119-923-11	s CAPACITOR,CHIP CERAMIC 0.047MF
C337	1-119-923-11	s CAPACITOR,CHIP CERAMIC 0.047MF
C338	1-126-209-11	s CAPACITOR,ELECT 100MF/4V
C339	1-107-820-11	s CAPACITOR,CHIP CERAMIC 0.1MF F
C340	1-126-209-11	s CAPACITOR,ELECT 100MF/4V
C341	1-107-820-11	s CAPACITOR,CHIP CERAMIC 0.1MF F
C342	1-107-820-11	s CAPACITOR,CHIP CERAMIC 0.1MF F
C343	1-107-820-11	s CAPACITOR,CHIP CERAMIC 0.1MF F
C344	1-107-820-11	s CAPACITOR,CHIP CERAMIC 0.1MF F
C345	1-107-820-11	s CAPACITOR,CHIP CERAMIC 0.1MF F
C346	1-107-820-11	s CAPACITOR,CHIP CERAMIC 0.1MF F
C347	1-107-820-11	s CAPACITOR,CHIP CERAMIC 0.1MF F
C348	1-107-820-11	s CAPACITOR,CHIP CERAMIC 0.1MF F



## (B BOARD)

Ref. No. or Q'ty	Part No.	SP	Description
C349	1-107-820-11	s	CAPACITOR,CHIP CERAMIC 0.1MF F
C350	1-107-820-11	s	CAPACITOR,CHIP CERAMIC 0.1MF F
C351	1-107-820-11	s	CAPACITOR,CHIP CERAMIC 0.1MF F
C352	1-107-820-11	s	CAPACITOR,CHIP CERAMIC 0.1MF F
C353	1-107-820-11	s	CAPACITOR,CHIP CERAMIC 0.1MF F
C354	1-107-820-11	s	CAPACITOR,CHIP CERAMIC 0.1MF F
C355	1-107-820-11	s	CAPACITOR,CHIP CERAMIC 0.1MF F
C356	1-107-820-11	s	CAPACITOR,CHIP CERAMIC 0.1MF F
C400	1-115-566-11	s	CAPACITOR,CERAMIC 4.7MF B/6.3V
C401	1-115-566-11	s	CAPACITOR,CERAMIC 4.7MF B/6.3V
C402	1-115-566-11	s	CAPACITOR,CERAMIC 4.7MF B/6.3V
C403	1-115-566-11	s	CAPACITOR,CERAMIC 4.7MF B/6.3V
C404	1-107-820-11	s	CAPACITOR,CHIP CERAMIC 0.1MF F
C405	1-125-891-11	s	CAPACITOR CERAMIC 0.47MF/10V
C406	1-125-777-11	s	CAPACITOR CERAMIC 0.1MF/10V
C407	1-125-891-11	s	CAPACITOR CERAMIC 0.47MF/10V
C408	1-125-891-11	s	CAPACITOR CERAMIC 0.47MF/10V
C409	1-115-566-11	s	CAPACITOR,CERAMIC 4.7MF B/6.3V
C410	1-128-004-11	s	CAPACITOR ELECT 10MF/16V(CHIP)
C411	1-125-891-11	s	CAPACITOR CERAMIC 0.47MF/10V
C412	1-125-777-11	s	CAPACITOR CERAMIC 0.1MF/10V
C413	1-125-777-11	s	CAPACITOR CERAMIC 0.1MF/10V
C414	1-125-891-11	s	CAPACITOR CERAMIC 0.47MF/10V
C415	1-125-891-11	s	CAPACITOR CERAMIC 0.47MF/10V
C416	1-125-777-11	s	CAPACITOR CERAMIC 0.1MF/10V
C417	1-125-777-11	s	CAPACITOR CERAMIC 0.1MF/10V
C418	1-125-891-11	s	CAPACITOR CERAMIC 0.47MF/10V
C419	1-115-566-11	s	CAPACITOR,CERAMIC 4.7MF B/6.3V
C420	1-125-891-11	s	CAPACITOR CERAMIC 0.47MF/10V
C421	1-125-777-11	s	CAPACITOR CERAMIC 0.1MF/10V
C422	1-125-891-11	s	CAPACITOR CERAMIC 0.47MF/10V
C423	1-125-777-11	s	CAPACITOR CERAMIC 0.1MF/10V
C424	1-164-937-11	s	CAPACITOR,CHIP CERAMIC 1000PF
C425	1-165-908-11	s	CAP, CERAMIC 1000000PF B 1608
C426	1-164-943-11	s	CAPACITOR,CHIP CERAMIC 0.01MF
C427	1-125-889-11	s	CAPACITOR, C.CERAMIC 2.2MF
C428	1-137-987-81	s	CAPACITOR,C.CERAMIC 0.068MF
C429	1-115-566-11	s	CAPACITOR,CERAMIC 4.7MF B/6.3V
C430	1-115-566-11	s	CAPACITOR,CERAMIC 4.7MF B/6.3V
C431	1-165-875-11	s	CAPACITOR, CHIP CERAMIC 10MF B
C432	1-126-205-11	s	CAPACITOR,ELECT 47M/6.3
C433	1-165-875-11	s	CAPACITOR, CHIP CERAMIC 10MF B
C434	1-125-777-11	s	CAPACITOR CERAMIC 0.1MF/10V
C435	1-164-943-11	s	CAPACITOR,CHIP CERAMIC 0.01MF
C436	1-164-874-11	s	CAPACITOR,CHIP CERAMIC 100PF
C437	1-164-882-11	s	CAPACITOR,CERAMIC 220PF/16V CH
C438	1-125-777-11	s	CAPACITOR CERAMIC 0.1MF/10V
C439	1-165-908-11	s	CAP, CERAMIC 1000000PF B 1608
C440	1-107-820-11	s	CAPACITOR,CHIP CERAMIC 0.1MF F
C441	1-126-206-11	s	CAPACITOR, ELECT 100MF/6.3V
C442	1-126-205-11	s	CAPACITOR,ELECT 47M/6.3
C443	1-125-777-11	s	CAPACITOR CERAMIC 0.1MF/10V
C444	1-128-004-11	s	CAPACITOR ELECT 10MF/16V(CHIP)
C445	1-107-820-11	s	CAPACITOR,CHIP CERAMIC 0.1MF F
C500	1-119-923-11	s	CAPACITOR,CHIP CERAMIC 0.047MF
C501	1-119-923-11	s	CAPACITOR,CHIP CERAMIC 0.047MF
C502	1-164-937-11	s	CAPACITOR,CHIP CERAMIC 1000PF
C503	1-119-923-11	s	CAPACITOR,CHIP CERAMIC 0.047MF
C504	1-164-937-11	s	CAPACITOR,CHIP CERAMIC 1000PF

## (B BOARD)

Ref. No. or Q'ty	Part No.	SP	Description
C505	1-119-923-11	s	CAPACITOR,CHIP CERAMIC 0.047MF
C506	1-119-923-11	s	CAPACITOR,CHIP CERAMIC 0.047MF
C507	1-119-923-11	s	CAPACITOR,CHIP CERAMIC 0.047MF
C508	1-127-573-11	s	CAPACITOR,CERAMIC 1MFB(2012)
C509	1-107-820-11	s	CAPACITOR,CHIP CERAMIC 0.1MF F
C510	1-107-820-11	s	CAPACITOR,CHIP CERAMIC 0.1MF F
C511	1-126-206-11	s	CAPACITOR, ELECT 100MF/6.3V
C512	1-164-943-11	s	CAPACITOR,CHIP CERAMIC 0.01MF
C513	1-125-777-11	s	CAPACITOR CERAMIC 0.1MF/10V
C514	1-125-777-11	s	CAPACITOR CERAMIC 0.1MF/10V
C519	1-119-667-11	s	CAPACITOR CERAMIC 22MF/10V(F)
C520	1-125-777-11	s	CAPACITOR CERAMIC 0.1MF/10V
C521	1-125-777-11	s	CAPACITOR CERAMIC 0.1MF/10V
C522	1-125-777-11	s	CAPACITOR CERAMIC 0.1MF/10V
C523	1-125-777-11	s	CAPACITOR CERAMIC 0.1MF/10V
C524	1-125-777-11	s	CAPACITOR CERAMIC 0.1MF/10V
C525	1-125-777-11	s	CAPACITOR CERAMIC 0.1MF/10V
C526	1-124-778-00	s	CAPACITOR,ELECT 22MF/6.3V
C528	1-125-777-11	s	CAPACITOR CERAMIC 0.1MF/10V
C529	1-125-777-11	s	CAPACITOR CERAMIC 0.1MF/10V
C530	1-125-777-11	s	CAPACITOR CERAMIC 0.1MF/10V
C531	1-125-777-11	s	CAPACITOR CERAMIC 0.1MF/10V
C532	1-117-614-11	s	CAPACITOR,CERAMIC8200PF B 1005
C533	1-125-777-11	s	CAPACITOR CERAMIC 0.1MF/10V
C537	1-125-777-11	s	CAPACITOR CERAMIC 0.1MF/10V
C538	1-164-943-11	s	CAPACITOR,CHIP CERAMIC 0.01MF
C539	1-125-777-11	s	CAPACITOR CERAMIC 0.1MF/10V
C540	1-164-943-11	s	CAPACITOR,CHIP CERAMIC 0.01MF
C549	1-107-820-11	s	CAPACITOR,CHIP CERAMIC 0.1MF F
C601	1-165-875-11	s	CAPACITOR, CHIP CERAMIC 10MF B
C602	1-107-820-11	s	CAPACITOR,CHIP CERAMIC 0.1MF F
C603	1-107-820-11	s	CAPACITOR,CHIP CERAMIC 0.1MF F
C604	1-107-820-11	s	CAPACITOR,CHIP CERAMIC 0.1MF F
C605	1-107-820-11	s	CAPACITOR,CHIP CERAMIC 0.1MF F
C606	1-107-820-11	s	CAPACITOR,CHIP CERAMIC 0.1MF F
C607	1-107-820-11	s	CAPACITOR,CHIP CERAMIC 0.1MF F
C608	1-107-820-11	s	CAPACITOR,CHIP CERAMIC 0.1MF F
C609	1-107-820-11	s	CAPACITOR,CHIP CERAMIC 0.1MF F
C610	1-107-820-11	s	CAPACITOR,CHIP CERAMIC 0.1MF F
C720	1-107-820-11	s	CAPACITOR,CHIP CERAMIC 0.1MF F
C721	1-107-820-11	s	CAPACITOR,CHIP CERAMIC 0.1MF F
C722	1-164-935-11	s	CAPACITOR,CHIP CERAMIC 470PF
C800	1-126-206-11	s	CAPACITOR, ELECT 100MF/6.3V
C801	1-107-820-11	s	CAPACITOR,CHIP CERAMIC 0.1MF F
C802	1-165-875-11	s	CAPACITOR, CHIP CERAMIC 10MF B
C803	1-107-820-11	s	CAPACITOR,CHIP CERAMIC 0.1MF F
C804	1-100-421-21	s	CAP, ELECT 220MF (6.3X5.9)
C805	1-107-820-11	s	CAPACITOR,CHIP CERAMIC 0.1MF F
C806	1-107-820-11	s	CAPACITOR,CHIP CERAMIC 0.1MF F
C807	1-107-820-11	s	CAPACITOR,CHIP CERAMIC 0.1MF F
C808	1-100-421-21	s	CAP, ELECT 220MF (6.3X5.9)
C809	1-107-820-11	s	CAPACITOR,CHIP CERAMIC 0.1MF F
C810	1-107-820-11	s	CAPACITOR,CHIP CERAMIC 0.1MF F
C811	1-107-820-11	s	CAPACITOR,CHIP CERAMIC 0.1MF F
C812	1-107-820-11	s	CAPACITOR,CHIP CERAMIC 0.1MF F
C813	1-107-820-11	s	CAPACITOR,CHIP CERAMIC 0.1MF F
C814	1-107-820-11	s	CAPACITOR,CHIP CERAMIC 0.1MF F
C815	1-107-820-11	s	CAPACITOR,CHIP CERAMIC 0.1MF F
C816	1-164-943-11	s	CAPACITOR,CHIP CERAMIC 0.01MF

## (B BOARD)

Ref. No. or Q'ty	Part No.	SP	Description
C817	1-164-943-11	s	CAPACITOR,CHIP CERAMIC 0.01MF
C818	1-164-943-11	s	CAPACITOR,CHIP CERAMIC 0.01MF
C819	1-164-943-11	s	CAPACITOR,CHIP CERAMIC 0.01MF
C820	1-164-943-11	s	CAPACITOR,CHIP CERAMIC 0.01MF
C821	1-164-943-11	s	CAPACITOR,CHIP CERAMIC 0.01MF
C822	1-164-943-11	s	CAPACITOR,CHIP CERAMIC 0.01MF
C823	1-164-943-11	s	CAPACITOR,CHIP CERAMIC 0.01MF
C824	1-164-943-11	s	CAPACITOR,CHIP CERAMIC 0.01MF
C825	1-164-943-11	s	CAPACITOR,CHIP CERAMIC 0.01MF
C826	1-107-820-11	s	CAPACITOR,CHIP CERAMIC 0.1MF F
C827	1-107-820-11	s	CAPACITOR,CHIP CERAMIC 0.1MF F
C828	1-164-943-11	s	CAPACITOR,CHIP CERAMIC 0.01MF
C829	1-164-943-11	s	CAPACITOR,CHIP CERAMIC 0.01MF
C830	1-107-820-11	s	CAPACITOR,CHIP CERAMIC 0.1MF F
C831	1-164-943-11	s	CAPACITOR,CHIP CERAMIC 0.01MF
C832	1-164-943-11	s	CAPACITOR,CHIP CERAMIC 0.01MF
C833	1-164-943-11	s	CAPACITOR,CHIP CERAMIC 0.01MF
C834	1-107-820-11	s	CAPACITOR,CHIP CERAMIC 0.1MF F
C835	1-164-943-11	s	CAPACITOR,CHIP CERAMIC 0.01MF
C836	1-107-820-11	s	CAPACITOR,CHIP CERAMIC 0.1MF F
C837	1-164-943-11	s	CAPACITOR,CHIP CERAMIC 0.01MF
C838	1-107-820-11	s	CAPACITOR,CHIP CERAMIC 0.1MF F
C839	1-164-943-11	s	CAPACITOR,CHIP CERAMIC 0.01MF
C840	1-107-820-11	s	CAPACITOR,CHIP CERAMIC 0.1MF F
C841	1-164-943-11	s	CAPACITOR,CHIP CERAMIC 0.01MF
C842	1-164-943-11	s	CAPACITOR,CHIP CERAMIC 0.01MF
C843	1-164-943-11	s	CAPACITOR,CHIP CERAMIC 0.01MF
C844	1-164-943-11	s	CAPACITOR,CHIP CERAMIC 0.01MF
C845	1-164-943-11	s	CAPACITOR,CHIP CERAMIC 0.01MF
C846	1-164-943-11	s	CAPACITOR,CHIP CERAMIC 0.01MF
C847	1-164-943-11	s	CAPACITOR,CHIP CERAMIC 0.01MF
C848	1-164-943-11	s	CAPACITOR,CHIP CERAMIC 0.01MF
C849	1-164-943-11	s	CAPACITOR,CHIP CERAMIC 0.01MF
C850	1-164-943-11	s	CAPACITOR,CHIP CERAMIC 0.01MF
C851	1-107-820-11	s	CAPACITOR,CHIP CERAMIC 0.1MF F
C855	1-107-820-11	s	CAPACITOR,CHIP CERAMIC 0.1MF F
C856	1-107-820-11	s	CAPACITOR,CHIP CERAMIC 0.1MF F
C903	1-126-205-11	s	CAPACITOR,ELECT 47M/6.3
C907	1-107-820-11	s	CAPACITOR,CHIP CERAMIC 0.1MF F
C908	1-107-820-11	s	CAPACITOR,CHIP CERAMIC 0.1MF F
C909	1-107-820-11	s	CAPACITOR,CHIP CERAMIC 0.1MF F
C910	1-107-820-11	s	CAPACITOR,CHIP CERAMIC 0.1MF F
C911	1-107-820-11	s	CAPACITOR,CHIP CERAMIC 0.1MF F
C912	1-107-820-11	s	CAPACITOR,CHIP CERAMIC 0.1MF F
C913	1-126-205-11	s	CAPACITOR,ELECT 47M/6.3
C914	1-107-820-11	s	CAPACITOR,CHIP CERAMIC 0.1MF F
C915	1-107-820-11	s	CAPACITOR,CHIP CERAMIC 0.1MF F
C916	1-107-820-11	s	CAPACITOR,CHIP CERAMIC 0.1MF F
C917	1-107-820-11	s	CAPACITOR,CHIP CERAMIC 0.1MF F
C918	1-107-820-11	s	CAPACITOR,CHIP CERAMIC 0.1MF F
C922	1-107-820-11	s	CAPACITOR,CHIP CERAMIC 0.1MF F
C923	1-107-820-11	s	CAPACITOR,CHIP CERAMIC 0.1MF F
C924	1-107-820-11	s	CAPACITOR,CHIP CERAMIC 0.1MF F
C925	1-107-820-11	s	CAPACITOR,CHIP CERAMIC 0.1MF F
C926	1-107-820-11	s	CAPACITOR,CHIP CERAMIC 0.1MF F
C927	1-107-820-11	s	CAPACITOR,CHIP CERAMIC 0.1MF F
C928	1-107-820-11	s	CAPACITOR,CHIP CERAMIC 0.1MF F
C929	1-107-820-11	s	CAPACITOR,CHIP CERAMIC 0.1MF F
C930	1-107-820-11	s	CAPACITOR,CHIP CERAMIC 0.1MF F

## (B BOARD)

Ref. No. or Q'ty	Part No.	SP	Description
C931	1-107-820-11	s	CAPACITOR,CHIP CERAMIC 0.1MF F
C932	1-107-820-11	s	CAPACITOR,CHIP CERAMIC 0.1MF F
C933	1-107-820-11	s	CAPACITOR,CHIP CERAMIC 0.1MF F
C934	1-107-820-11	s	CAPACITOR,CHIP CERAMIC 0.1MF F
C935	1-107-820-11	s	CAPACITOR,CHIP CERAMIC 0.1MF F
C936	1-107-820-11	s	CAPACITOR,CHIP CERAMIC 0.1MF F
C937	1-107-820-11	s	CAPACITOR,CHIP CERAMIC 0.1MF F
C938	1-107-820-11	s	CAPACITOR,CHIP CERAMIC 0.1MF F
C939	1-107-820-11	s	CAPACITOR,CHIP CERAMIC 0.1MF F
C940	1-107-820-11	s	CAPACITOR,CHIP CERAMIC 0.1MF F
C941	1-107-820-11	s	CAPACITOR,CHIP CERAMIC 0.1MF F
C942	1-107-820-11	s	CAPACITOR,CHIP CERAMIC 0.1MF F
C943	1-126-206-11	s	CAPACITOR, ELECT 100MF/6.3V
C944	1-126-206-11	s	CAPACITOR, ELECT 100MF/6.3V
C945	1-107-820-11	s	CAPACITOR,CHIP CERAMIC 0.1MF F
C946	1-107-820-11	s	CAPACITOR,CHIP CERAMIC 0.1MF F
C947	1-107-820-11	s	CAPACITOR,CHIP CERAMIC 0.1MF F
C948	1-107-820-11	s	CAPACITOR,CHIP CERAMIC 0.1MF F
C949	1-107-820-11	s	CAPACITOR,CHIP CERAMIC 0.1MF F
C950	1-107-820-11	s	CAPACITOR,CHIP CERAMIC 0.1MF F
C951	1-107-820-11	s	CAPACITOR,CHIP CERAMIC 0.1MF F
C952	1-107-820-11	s	CAPACITOR,CHIP CERAMIC 0.1MF F
C953	1-107-820-11	s	CAPACITOR,CHIP CERAMIC 0.1MF F
C954	1-107-820-11	s	CAPACITOR,CHIP CERAMIC 0.1MF F
C955	1-107-820-11	s	CAPACITOR,CHIP CERAMIC 0.1MF F
C956	1-107-820-11	s	CAPACITOR,CHIP CERAMIC 0.1MF F
C957	1-107-820-11	s	CAPACITOR,CHIP CERAMIC 0.1MF F
C958	1-107-820-11	s	CAPACITOR,CHIP CERAMIC 0.1MF F
C959	1-107-820-11	s	CAPACITOR,CHIP CERAMIC 0.1MF F
C960	1-107-820-11	s	CAPACITOR,CHIP CERAMIC 0.1MF F
C961	1-107-820-11	s	CAPACITOR,CHIP CERAMIC 0.1MF F
C962	1-107-820-11	s	CAPACITOR,CHIP CERAMIC 0.1MF F
C963	1-107-820-11	s	CAPACITOR,CHIP CERAMIC 0.1MF F
C964	1-107-820-11	s	CAPACITOR,CHIP CERAMIC 0.1MF F
C965	1-119-667-11	s	CAPACITOR CERAMIC 22MF/10V(F)
C966	1-107-820-11	s	CAPACITOR,CHIP CERAMIC 0.1MF F
C967	1-126-206-11	s	CAPACITOR, ELECT 100MF/6.3V
C968	1-107-820-11	s	CAPACITOR,CHIP CERAMIC 0.1MF F
C969	1-127-692-11	s	CAP, CHIP CERAMIC 10MF B 3216
C970	1-127-692-11	s	CAP, CHIP CERAMIC 10MF B 3216
CN100	1-793-797-21	o	CONNECTOR, BOARD TO BOARD
CN101	1-793-797-21	o	CONNECTOR, BOARD TO BOARD
CN102	1-785-305-21	o	CONNECTOR, BOARD TO BOARD
CN150	1-760-388-11	o	CONNECTOR PIN (SMD) 9 PIN
CN151	1-691-551-11	o	PIN, CONNECTOR (SMD) 8P
CN152	1-785-305-21	o	CONNECTOR, BOARD TO BOARD
CN153	1-785-305-21	o	CONNECTOR, BOARD TO BOARD
CN154	1-779-806-21	s	CONNECTOR, 1.0MM PITCH 8P
CN720	1-779-884-11	s	PLUG, CONNECTOR 4P
D100	8-719-037-22	s	DIODE RD12SB-T1
D101	8-719-037-22	s	DIODE RD12SB-T1
D300	8-719-059-53	s	DIODE MA3J14700LSO
D301	8-719-059-53	s	DIODE MA3J14700LSO
D302	8-719-059-53	s	DIODE MA3J14700LSO
D303	8-719-059-53	s	DIODE MA3J14700LSO
D304	8-719-059-53	s	DIODE MA3J14700LSO
D305	8-719-059-53	s	DIODE MA3J14700LSO
D400	8-719-024-77	s	DIODE HN1D03FU-TE85L
D401	8-719-059-53	s	DIODE MA3J14700LSO

## (B BOARD)

Ref. No. or Q'ty	Part No.	SP	Description
D402	8-719-988-61	s	DIODE 1SS355TE-17
D403	8-719-988-61	s	DIODE 1SS355TE-17
D404	8-719-059-53	s	DIODE MA3J14700LSO
D405	8-719-059-53	s	DIODE MA3J14700LSO
D501	8-719-059-53	s	DIODE MA3J14700LSO
D502	8-719-059-53	s	DIODE MA3J14700LSO
D503	8-719-059-53	s	DIODE MA3J14700LSO
D504	8-719-059-53	s	DIODE MA3J14700LSO
D505	8-719-059-53	s	DIODE MA3J14700LSO
D506	8-719-059-53	s	DIODE MA3J14700LSO
D507	8-719-059-53	s	DIODE MA3J14700LSO
D508	8-719-059-53	s	DIODE MA3J14700LSO
FB150	1-469-670-11	o	FERRITE, EMI (SMD)
FB200	1-414-921-11	s	INDUCTOR, FERRITE BEAD
FB201	1-414-921-11	s	INDUCTOR, FERRITE BEAD
FB202	1-414-921-11	s	INDUCTOR, FERRITE BEAD
FB206	1-414-921-11	s	INDUCTOR, FERRITE BEAD
FB207	1-414-921-11	s	INDUCTOR, FERRITE BEAD
FB300	1-414-921-11	s	INDUCTOR, FERRITE BEAD
FB301	1-414-921-11	s	INDUCTOR, FERRITE BEAD
FB302	1-414-921-11	s	INDUCTOR, FERRITE BEAD
FB303	1-414-921-11	s	INDUCTOR, FERRITE BEAD
FB500	1-414-921-11	s	INDUCTOR, FERRITE BEAD
FB502	1-414-921-11	s	INDUCTOR, FERRITE BEAD
FB503	1-414-921-11	s	INDUCTOR, FERRITE BEAD
FB600	1-469-670-11	o	FERRITE, EMI (SMD)
FB801	1-469-670-11	o	FERRITE, EMI (SMD)
FB802	1-469-670-11	o	FERRITE, EMI (SMD)
FB900	1-469-670-11	o	FERRITE, EMI (SMD)
FB901	1-469-670-11	o	FERRITE, EMI (SMD)
FB902	1-469-670-11	o	FERRITE, EMI (SMD)
FB903	1-414-921-11	s	INDUCTOR, FERRITE BEAD
FL200	1-239-848-21	s	FILTER, LOW PASS
FL201	1-239-848-21	s	FILTER, LOW PASS
FL202	1-239-848-21	s	FILTER, LOW PASS
IC100	8-759-677-33	s	IC MM1228XF
IC150	8-759-596-39	s	IC SN74LV4052APWR
IC152	-----	IC	BR24L64F-WE2
<b>Note</b>	If this IC has failed, replace the whole B board.		
IC200	6-704-841-01	s	IC AIC1117A-50PEJTR
IC202	6-704-842-01	s	IC AIC1117A-33PEJTR
IC203	6-700-960-01	s	IC UPD64083GF-3BA
IC204	6-702-295-01	s	IC NJM78M12DL1A-TE1
IC205	6-705-093-01	s	IC AIC1117A-25PEJTR
IC301	6-704-842-01	s	IC AIC1117A-33PEJTR
IC302	8-759-659-65	s	IC LP2985IM5X-3.3
IC303	6-704-844-01	s	IC AIC1117A-18PEJTR
IC304	6-704-844-01	s	IC AIC1117A-18PEJTR
IC400	8-759-596-34	s	IC SN74LV4053APWR
IC401	8-752-108-35	s	IC CXA2171AQ
IC402	8-759-646-02	s	IC M52347FP-TE
IC403	8-759-679-53	s	IC SN74LVC244APWR
IC404	6-704-841-01	s	IC AIC1117A-50PEJTR
IC405	8-759-271-86	s	IC TC7SH04FU
IC500	6-704-842-01	s	IC AIC1117A-33PEJTR
IC501	6-705-191-01	s	IC LP2985IM5X-1.8
IC502	6-705-456-01	s	IC AD9981KST-110
IC509	8-759-679-53	s	IC SN74LVC244APWR

## (B BOARD)

Ref. No. or Q'ty	Part No.	SP	Description
IC600	8-759-573-97	s	IC SN74LVC541APWR
IC601	8-759-573-97	s	IC SN74LVC541APWR
IC602	8-759-573-97	s	IC SN74LVC541APWR
IC603	8-759-573-97	s	IC SN74LVC541APWR
IC604	8-759-573-97	s	IC SN74LVC541APWR
IC605	8-759-573-97	s	IC SN74LVC541APWR
IC606	8-759-573-97	s	IC SN74LVC541APWR
IC608	8-759-573-97	s	IC SN74LVC541APWR
IC609	8-759-573-97	s	IC SN74LVC541APWR
IC702	6-704-843-01	s	IC AIC1117A-PEJTR
IC720	6-703-225-01	s	IC S-80928CNMC-G8YT2G
IC800	6-705-136-01	s	IC PQ025EZ01ZPH
IC801	6-705-137-01	s	IC NE57814DD
IC802	6-705-089-01	s	IC K4D263238F-UC50T
IC900	6-803-525-01	s	IC LC4032V-75TN48C-DLY
IC904	6-705-136-01	s	IC PQ025EZ01ZPH
L100	1-412-058-11	s	INDUCTOR, SMALL TYPE 10UH
L150	1-409-529-41	s	COIL, CHOKE 10UH
L151	1-409-529-41	s	COIL, CHOKE 10UH
L152	1-409-529-41	s	COIL, CHOKE 10UH
L200	1-412-058-11	s	INDUCTOR, SMALL TYPE 10UH
L201	1-410-200-31	s	CHIP INDUCTOR
L202	1-412-058-11	s	INDUCTOR, SMALL TYPE 10UH
L203	1-412-058-11	s	INDUCTOR, SMALL TYPE 10UH
L204	1-412-058-11	s	INDUCTOR, SMALL TYPE 10UH
L300	1-469-522-11	s	INDUCTOR 1.0UH (NLFV25)
L301	1-469-525-91	s	INDUCTOR 10UH (NLFV25)
L302	1-469-525-91	s	INDUCTOR 10UH (NLFV25)
L400	1-469-524-11	s	INDUCTOR 4.7UH (NLFV25)
L401	1-469-523-91	s	INDUCTOR 2.2UH (NLFV25)
Q100	8-729-029-14	s	TRANSISTOR DTC144EUA-T106
Q200	8-729-026-53	s	TRANSISTOR 2SA1576A-T106-QR
Q201	8-729-026-53	s	TRANSISTOR 2SA1576A-T106-QR
Q202	8-729-905-35	s	TRANSISTOR 2SC4081-R
Q203	8-729-026-53	s	TRANSISTOR 2SA1576A-T106-QR
Q204	8-729-026-53	s	TRANSISTOR 2SA1576A-T106-QR
Q205	8-729-026-53	s	TRANSISTOR 2SA1576A-T106-QR
Q206	8-729-905-35	s	TRANSISTOR 2SC4081-R
Q207	8-729-905-35	s	TRANSISTOR 2SC4081-R
Q208	8-729-905-35	s	TRANSISTOR 2SC4081-R
Q209	8-729-026-53	s	TRANSISTOR 2SA1576A-T106-QR
Q210	8-729-905-35	s	TRANSISTOR 2SC4081-R
Q211	8-729-905-35	s	TRANSISTOR 2SC4081-R
Q212	8-729-905-35	s	TRANSISTOR 2SC4081-R
Q213	8-729-905-35	s	TRANSISTOR 2SC4081-R
Q214	8-729-905-35	s	TRANSISTOR 2SC4081-R
Q215	8-729-905-35	s	TRANSISTOR 2SC4081-R
Q216	8-729-905-35	s	TRANSISTOR 2SC4081-R
Q217	8-729-905-35	s	TRANSISTOR 2SC4081-R
Q218	8-729-026-53	s	TRANSISTOR 2SA1576A-T106-QR
Q219	8-729-026-53	s	TRANSISTOR 2SA1576A-T106-QR
Q220	8-729-026-53	s	TRANSISTOR 2SA1576A-T106-QR
Q221	8-729-905-35	s	TRANSISTOR 2SC4081-R
Q222	8-729-026-53	s	TRANSISTOR 2SA1576A-T106-QR
Q400	8-729-026-53	s	TRANSISTOR 2SA1576A-T106-QR
Q401	8-729-026-53	s	TRANSISTOR 2SA1576A-T106-QR
Q402	8-729-029-14	s	TRANSISTOR DTC144EUA-T106
Q403	8-729-905-35	s	TRANSISTOR 2SC4081-R

## (B BOARD)

Ref. No. or Q'ty	Part No.	SP	Description
Q404	8-729-905-35	s	TRANSISTOR 2SC4081-R
Q405	8-729-013-28	s	TRANSISTOR HN1B01FU-TE85R
Q406	8-729-013-28	s	TRANSISTOR HN1B01FU-TE85R
Q407	8-729-026-53	s	TRANSISTOR 2SA1576A-T106-QR
Q408	8-729-905-35	s	TRANSISTOR 2SC4081-R
Q409	8-729-029-14	s	TRANSISTOR DTC144EUA-T106
Q410	8-729-026-53	s	TRANSISTOR 2SA1576A-T106-QR
R100	1-208-656-81	s	RESISTOR, METAL CHIP75(1005)
R101	1-208-656-81	s	RESISTOR, METAL CHIP75(1005)
R102	1-211-979-11	s	RESISTOR,CHIP 27 1/10W (1608)
R103	1-211-979-11	s	RESISTOR,CHIP 27 1/10W (1608)
R104	1-211-979-11	s	RESISTOR,CHIP 27 1/10W (1608)
R105	1-211-979-11	s	RESISTOR,CHIP 27 1/10W (1608)
R106	1-211-979-11	s	RESISTOR,CHIP 27 1/10W (1608)
R107	1-211-979-11	s	RESISTOR,CHIP 27 1/10W (1608)
R108	1-211-985-11	s	RESISTOR,CHIP 47 1/10W (1608)
R109	1-211-985-11	s	RESISTOR,CHIP 47 1/10W (1608)
R110	1-211-985-11	s	RESISTOR,CHIP 47 1/10W (1608)
R111	1-211-985-11	s	RESISTOR,CHIP 47 1/10W (1608)
R112	1-211-985-11	s	RESISTOR,CHIP 47 1/10W (1608)
R113	1-211-985-11	s	RESISTOR,CHIP 47 1/10W (1608)
R114	1-218-990-11	s	RESISTOR,CHIP 0 1/16W (1005)
R115	1-218-990-11	s	RESISTOR,CHIP 0 1/16W (1005)
R116	1-218-990-11	s	RESISTOR,CHIP 0 1/16W (1005)
R117	1-218-990-11	s	RESISTOR,CHIP 0 1/16W (1005)
R118	1-218-990-11	s	RESISTOR,CHIP 0 1/16W (1005)
R119	1-218-990-11	s	RESISTOR,CHIP 0 1/16W (1005)
R120	1-218-937-11	s	RESISTOR, CHIP 47
R121	1-218-965-11	s	RESISTOR, CHIP 10K 1/16W
R122	1-208-656-81	s	RESISTOR, METAL CHIP75(1005)
R135	1-218-990-11	s	RESISTOR,CHIP 0 1/16W (1005)
R136	1-218-990-11	s	RESISTOR,CHIP 0 1/16W (1005)
R150	1-218-937-11	s	RESISTOR, CHIP 47
R151	1-218-937-11	s	RESISTOR, CHIP 47
R152	1-218-937-11	s	RESISTOR, CHIP 47
R153	1-218-937-11	s	RESISTOR, CHIP 47
R154	1-218-937-11	s	RESISTOR, CHIP 47
R155	1-218-937-11	s	RESISTOR, CHIP 47
R156	1-218-937-11	s	RESISTOR, CHIP 47
R157	1-218-937-11	s	RESISTOR, CHIP 47
R158	1-218-941-81	s	C-RES,V 100-1/16W J
R159	1-218-941-81	s	C-RES,V 100-1/16W J
R160	1-218-941-81	s	C-RES,V 100-1/16W J
R161	1-218-941-81	s	C-RES,V 100-1/16W J
R162	1-218-941-81	s	C-RES,V 100-1/16W J
R164	1-218-941-81	s	C-RES,V 100-1/16W J
R165	1-218-941-81	s	C-RES,V 100-1/16W J
R166	1-218-941-81	s	C-RES,V 100-1/16W J
R167	1-218-941-81	s	C-RES,V 100-1/16W J
R168	1-218-941-81	s	C-RES,V 100-1/16W J
R169	1-218-941-81	s	C-RES,V 100-1/16W J
R170	1-218-941-81	s	C-RES,V 100-1/16W J
R171	1-218-941-81	s	C-RES,V 100-1/16W J
R200	1-218-953-11	s	RESISTOR, CHIP 1K 1/16W
R201	1-218-955-11	s	RESISTOR, CHIP 1.5K
R202	1-218-949-11	s	RESISTOR,CHIP 470 1/16W
R203	1-218-965-11	s	RESISTOR, CHIP 10K 1/16W
R204	1-218-941-81	s	C-RES,V 100-1/16W J

## (B BOARD)

Ref. No. or Q'ty	Part No.	SP	Description
R205	1-218-941-81	s	C-RES,V 100-1/16W J
R206	1-218-953-11	s	RESISTOR, CHIP 1K 1/16W
R207	1-218-953-11	s	RESISTOR, CHIP 1K 1/16W
R208	1-218-990-11	s	RESISTOR,CHIP 0 1/16W (1005)
R209	1-218-961-11	s	RESISTOR, CHIP 4.7K 1/16W
R210	1-218-957-11	s	RESISTOR,CHIP 2.2K 1/16W(1608)
R211	1-218-949-11	s	RESISTOR,CHIP 470 1/16W
R212	1-218-949-11	s	RESISTOR,CHIP 470 1/16W
R213	1-218-957-11	s	RESISTOR,CHIP 2.2K 1/16W(1608)
R214	1-208-677-11	s	RESISTOR CHIP 560 1/16W (1005)
R215	1-208-677-11	s	RESISTOR CHIP 560 1/16W (1005)
R216	1-218-957-11	s	RESISTOR,CHIP 2.2K 1/16W(1608)
R217	1-218-953-11	s	RESISTOR, CHIP 1K 1/16W
R218	1-218-957-11	s	RESISTOR,CHIP 2.2K 1/16W(1608)
R219	1-218-941-81	s	C-RES,V 100-1/16W J
R220	1-218-973-11	s	RESISTOR,CHIP 47K 1/16W (1005)
R221	1-218-981-11	s	RESISTOR CHIP 220K 1/16W(1005)
R223	1-208-701-11	s	RESISTOR CHIP 5.6K 1/16W(1005)
R224	1-218-945-11	s	RESISTOR,CHIP 220 1/16W(1005)
R225	1-208-701-11	s	RESISTOR CHIP 5.6K 1/16W(1005)
R226	1-218-957-11	s	RESISTOR,CHIP 2.2K 1/16W(1608)
R227	1-218-957-11	s	RESISTOR,CHIP 2.2K 1/16W(1608)
R229	1-218-952-11	s	RESISTOR, CHIP 820
R230	1-208-675-11	s	RESISTOR CHIP 470 1/16W (1005)
R235	1-208-701-11	s	RESISTOR CHIP 5.6K 1/16W(1005)
R236	1-218-990-11	s	RESISTOR,CHIP 0 1/16W (1005)
R237	1-208-691-11	s	RESISTOR CHIP 2.2K 1/16W(1005)
R238	1-218-952-11	s	RESISTOR, CHIP 820
R239	1-208-691-11	s	RESISTOR CHIP 2.2K 1/16W(1005)
R240	1-218-952-11	s	RESISTOR, CHIP 820
R241	1-218-971-11	s	RESISTOR,CHIP 33K 1/16W (1005)
R242	1-218-966-11	s	RESISTOR, CHIP 12K
R243	1-218-971-11	s	RESISTOR,CHIP 33K 1/16W (1005)
R244	1-218-966-11	s	RESISTOR, CHIP 12K
R245	1-218-953-11	s	RESISTOR, CHIP 1K 1/16W
R246	1-218-953-11	s	RESISTOR, CHIP 1K 1/16W
R247	1-208-677-11	s	RESISTOR CHIP 560 1/16W (1005)
R252	1-218-953-11	s	RESISTOR, CHIP 1K 1/16W
R253	1-218-937-11	s	RESISTOR, CHIP 47
R254	1-218-937-11	s	RESISTOR, CHIP 47
R255	1-218-953-11	s	RESISTOR, CHIP 1K 1/16W
R256	1-218-953-11	s	RESISTOR, CHIP 1K 1/16W
R257	1-218-941-81	s	C-RES,V 100-1/16W J
R258	1-218-973-11	s	RESISTOR,CHIP 47K 1/16W (1005)
R259	1-218-973-11	s	RESISTOR,CHIP 47K 1/16W (1005)
R260	1-208-663-11	s	RESISTOR CHIP 150 1/16W (1005)
R261	1-208-663-11	s	RESISTOR CHIP 150 1/16W (1005)
R262	1-208-663-11	s	RESISTOR CHIP 150 1/16W (1005)
R263	1-208-663-11	s	RESISTOR CHIP 150 1/16W (1005)
R264	1-218-953-11	s	RESISTOR, CHIP 1K 1/16W
R265	1-208-651-11	s	RESISTOR CHIP 47 1/16W (1005)
R266	1-208-675-11	s	RESISTOR CHIP 470 1/16W (1005)
R267	1-208-675-11	s	RESISTOR CHIP 470 1/16W (1005)
R268	1-208-675-11	s	RESISTOR CHIP 470 1/16W (1005)
R270	1-218-953-11	s	RESISTOR, CHIP 1K 1/16W
R271	1-218-953-11	s	RESISTOR, CHIP 1K 1/16W
R301	1-211-979-11	s	RESISTOR,CHIP 27 1/10W (1608)
R302	1-211-985-11	s	RESISTOR,CHIP 47 1/10W (1608)
R303	1-218-990-11	s	RESISTOR,CHIP 0 1/16W (1005)

## (B BOARD)

Ref. No. or Q'ty	Part No.	SP	Description
R304	1-218-990-11	s	RESISTOR,CHIP 0 1/16W (1005)
R305	1-218-990-11	s	RESISTOR,CHIP 0 1/16W (1005)
R307	1-218-961-11	s	RESISTOR, CHIP 4.7K 1/16W
R311	1-218-941-81	s	C-RES,V 100-1/16W J
R312	1-218-941-81	s	C-RES,V 100-1/16W J
R313	1-218-990-11	s	RESISTOR,CHIP 0 1/16W (1005)
R314	1-211-979-11	s	RESISTOR,CHIP 27 1/10W (1608)
R315	1-211-985-11	s	RESISTOR,CHIP 47 1/10W (1608)
R317	1-211-985-11	s	RESISTOR,CHIP 47 1/10W (1608)
R318	1-211-979-11	s	RESISTOR,CHIP 27 1/10W (1608)
R319	1-218-990-11	s	RESISTOR,CHIP 0 1/16W (1005)
R320	1-218-990-11	s	RESISTOR,CHIP 0 1/16W (1005)
R321	1-218-990-11	s	RESISTOR,CHIP 0 1/16W (1005)
R323	1-211-979-11	s	RESISTOR,CHIP 27 1/10W (1608)
R324	1-218-990-11	s	RESISTOR,CHIP 0 1/16W (1005)
R326	1-211-985-11	s	RESISTOR,CHIP 47 1/10W (1608)
R327	1-218-990-11	s	RESISTOR,CHIP 0 1/16W (1005)
R328	1-218-990-11	s	RESISTOR,CHIP 0 1/16W (1005)
R329	1-211-979-11	s	RESISTOR,CHIP 27 1/10W (1608)
R330	1-211-985-11	s	RESISTOR,CHIP 47 1/10W (1608)
R332	1-218-941-81	s	C-RES,V 100-1/16W J
R333	1-218-941-81	s	C-RES,V 100-1/16W J
R336	1-218-990-11	s	RESISTOR,CHIP 0 1/16W (1005)
R337	1-218-990-11	s	RESISTOR,CHIP 0 1/16W (1005)
R338	1-218-941-81	s	C-RES,V 100-1/16W J
R339	1-218-990-11	s	RESISTOR,CHIP 0 1/16W (1005)
R340	1-218-990-11	s	RESISTOR,CHIP 0 1/16W (1005)
R342	1-208-635-11	s	RESISTOR CHIP 10 1/16W (1005)
R343	1-211-985-11	s	RESISTOR,CHIP 47 1/10W (1608)
R344	1-211-979-11	s	RESISTOR,CHIP 27 1/10W (1608)
R345	1-211-985-11	s	RESISTOR,CHIP 47 1/10W (1608)
R346	1-211-979-11	s	RESISTOR,CHIP 27 1/10W (1608)
R347	1-218-990-11	s	RESISTOR,CHIP 0 1/16W (1005)
R349	1-218-990-11	s	RESISTOR,CHIP 0 1/16W (1005)
R350	1-218-990-11	s	RESISTOR,CHIP 0 1/16W (1005)
R400	1-218-990-11	s	RESISTOR,CHIP 0 1/16W (1005)
R401	1-218-990-11	s	RESISTOR,CHIP 0 1/16W (1005)
R402	1-218-953-11	s	RESISTOR, CHIP 1K 1/16W
R403	1-218-953-11	s	RESISTOR, CHIP 1K 1/16W
R404	1-218-977-11	s	RESISTOR,CHIP 100K 1/16W(1005)
R405	1-218-977-11	s	RESISTOR,CHIP 100K 1/16W(1005)
R406	1-218-977-11	s	RESISTOR,CHIP 100K 1/16W(1005)
R407	1-218-977-11	s	RESISTOR,CHIP 100K 1/16W(1005)
R408	1-218-953-11	s	RESISTOR, CHIP 1K 1/16W
R409	1-218-953-11	s	RESISTOR, CHIP 1K 1/16W
R410	1-218-953-11	s	RESISTOR, CHIP 1K 1/16W
R411	1-218-977-11	s	RESISTOR,CHIP 100K 1/16W(1005)
R412	1-218-977-11	s	RESISTOR,CHIP 100K 1/16W(1005)
R413	1-218-977-11	s	RESISTOR,CHIP 100K 1/16W(1005)
R414	1-218-977-11	s	RESISTOR,CHIP 100K 1/16W(1005)
R415	1-218-937-11	s	RESISTOR, CHIP 47
R416	1-218-937-11	s	RESISTOR, CHIP 47
R417	1-218-965-11	s	RESISTOR, CHIP 10K 1/16W
R418	1-218-953-11	s	RESISTOR, CHIP 1K 1/16W
R419	1-218-990-11	s	RESISTOR,CHIP 0 1/16W (1005)
R420	1-218-990-11	s	RESISTOR,CHIP 0 1/16W (1005)
R421	1-220-169-11	s	RESISTOR,CHIP 75 1/16W
R422	1-220-169-11	s	RESISTOR,CHIP 75 1/16W
R423	1-218-990-11	s	RESISTOR,CHIP 0 1/16W (1005)

## (B BOARD)

Ref. No. or Q'ty	Part No.	SP	Description
R424	1-218-990-11	s	RESISTOR,CHIP 0 1/16W (1005)
R425	1-208-635-11	s	RESISTOR CHIP 10 1/16W (1005)
R426	1-208-635-11	s	RESISTOR CHIP 10 1/16W (1005)
R427	1-218-953-11	s	RESISTOR, CHIP 1K 1/16W
R428	1-218-953-11	s	RESISTOR, CHIP 1K 1/16W
R429	1-218-949-11	s	RESISTOR,CHIP 470 1/16W
R430	1-218-953-11	s	RESISTOR, CHIP 1K 1/16W
R431	1-218-953-11	s	RESISTOR, CHIP 1K 1/16W
R432	1-218-953-11	s	RESISTOR, CHIP 1K 1/16W
R433	1-218-953-11	s	RESISTOR, CHIP 1K 1/16W
R434	1-220-169-11	s	RESISTOR,CHIP 75 1/16W
R437	1-218-941-81	s	C-RES,V 100-1/16W J
R438	1-218-941-81	s	C-RES,V 100-1/16W J
R439	1-220-169-11	s	RESISTOR,CHIP 75 1/16W
R440	1-218-949-11	s	RESISTOR,CHIP 470 1/16W
R441	1-220-169-11	s	RESISTOR,CHIP 75 1/16W
R442	1-208-707-11	s	RESISTOR,CHIP 10K 1/16W (1005)
R443	1-218-937-11	s	RESISTOR, CHIP 47
R444	1-219-601-11	s	RES, METAL FILM CHIP 62K(1005)
R445	1-218-965-11	s	RESISTOR, CHIP 10K 1/16W
R446	1-218-937-11	s	RESISTOR, CHIP 47
R447	1-218-937-11	s	RESISTOR, CHIP 47
R448	1-208-683-11	s	RESISTOR CHIP 1K 1/16W (1005)
R449	1-218-941-81	s	C-RES,V 100-1/16W J
R450	1-208-683-11	s	RESISTOR CHIP 1K 1/16W (1005)
R451	1-218-961-11	s	RESISTOR, CHIP 4.7K 1/16W
R454	1-218-973-11	s	RESISTOR,CHIP 47K 1/16W (1005)
R455	1-218-959-11	s	RESISTOR, CHIP 3.3K
R456	1-208-683-11	s	RESISTOR CHIP 1K 1/16W (1005)
R458	1-218-965-11	s	RESISTOR, CHIP 10K 1/16W
R459	1-218-965-11	s	RESISTOR, CHIP 10K 1/16W
R460	1-218-990-11	s	RESISTOR,CHIP 0 1/16W (1005)
R461	1-218-990-11	s	RESISTOR,CHIP 0 1/16W (1005)
R462	1-218-937-11	s	RESISTOR, CHIP 47
R463	1-218-937-11	s	RESISTOR, CHIP 47
R464	1-218-937-11	s	RESISTOR, CHIP 47
R466	1-218-937-11	s	RESISTOR, CHIP 47
R468	1-208-947-11	s	RESISTOR CHIP 330K 1/16W(1005)
R500	1-208-643-11	s	RESISTOR CHIP 22 1/16W (1005)
R501	1-208-643-11	s	RESISTOR CHIP 22 1/16W (1005)
R502	1-218-937-11	s	RESISTOR, CHIP 47
R504	1-218-937-11	s	RESISTOR, CHIP 47
R506	1-218-937-11	s	RESISTOR, CHIP 47
R507	1-218-937-11	s	RESISTOR, CHIP 47
R508	1-218-937-11	s	RESISTOR, CHIP 47
R509	1-218-937-11	s	RESISTOR, CHIP 47
R510	1-218-937-11	s	RESISTOR, CHIP 47
R511	1-218-937-11	s	RESISTOR, CHIP 47
R512	1-218-937-11	s	RESISTOR, CHIP 47
R513	1-218-937-11	s	RESISTOR, CHIP 47
R514	1-218-937-11	s	RESISTOR, CHIP 47
R515	1-218-937-11	s	RESISTOR, CHIP 47
R516	1-218-937-11	s	RESISTOR, CHIP 47
R517	1-218-937-11	s	RESISTOR, CHIP 47
R518	1-218-937-11	s	RESISTOR, CHIP 47
R519	1-208-687-11	s	RESISTOR CHIP 1.5K 1/16W (1005)
R520	1-218-937-11	s	RESISTOR, CHIP 47
R522	1-218-937-11	s	RESISTOR, CHIP 47
R602	1-208-635-11	s	RESISTOR CHIP 10 1/16W (1005)



## (B BOARD)

Ref. No. or Q'ty	Part No.	SP	Description	
RB804	1-234-370-11	s	RES, NETWORK 22X4	(1005)
RB805	1-234-370-11	s	RES, NETWORK 22X4	(1005)
RB806	1-234-370-11	s	RES, NETWORK 22X4	(1005)
RB807	1-234-370-11	s	RES, NETWORK 22X4	(1005)
RB808	1-234-370-11	s	RES, NETWORK 22X4	(1005)
RB809	1-234-370-11	s	RES, NETWORK 22X4	(1005)
RB810	1-234-370-11	s	RES, NETWORK 22X4	(1005)
RB811	1-234-371-11	s	RES, NETWORK 47X4	(1005)
RB812	1-234-371-11	s	RES, NETWORK 47X4	(1005)
RB813	1-234-371-11	s	RES, NETWORK 47X4	(1005)
RB814	1-234-371-11	s	RES, NETWORK 47X4	(1005)
RB815	1-234-371-11	s	RES, NETWORK 47X4	(1005)
RB816	1-234-370-11	s	RES, NETWORK 22X4	(1005)
RB817	1-234-370-11	s	RES, NETWORK 22X4	(1005)
RB818	1-234-370-11	s	RES, NETWORK 22X4	(1005)
RB819	1-234-371-11	s	RES, NETWORK 47X4	(1005)
RB820	1-234-371-11	s	RES, NETWORK 47X4	(1005)
RB821	1-234-371-11	s	RES, NETWORK 47X4	(1005)
RB822	1-234-370-11	s	RES, NETWORK 22X4	(1005)
RB823	1-234-371-11	s	RES, NETWORK 47X4	(1005)
RB824	1-234-371-11	s	RES, NETWORK 47X4	(1005)
RB825	1-234-370-11	s	RES, NETWORK 22X4	(1005)
RB826	1-234-371-11	s	RES, NETWORK 47X4	(1005)
RB827	1-234-370-11	s	RES, NETWORK 22X4	(1005)
RB828	1-234-370-11	s	RES, NETWORK 22X4	(1005)
RB829	1-234-370-11	s	RES, NETWORK 22X4	(1005)
S720	1-771-337-21	s	SWITCH, SLIDE	
TP101	1-535-757-11	s	CHIP, CHECKER (CONNECTOR)	
TP102	1-535-757-11	s	CHIP, CHECKER (CONNECTOR)	
TP200	1-535-757-11	s	CHIP, CHECKER (CONNECTOR)	
TP201	1-535-757-11	s	CHIP, CHECKER (CONNECTOR)	
TP202	1-535-757-11	s	CHIP, CHECKER (CONNECTOR)	
TP203	1-535-757-11	s	CHIP, CHECKER (CONNECTOR)	
TP204	1-535-757-11	s	CHIP, CHECKER (CONNECTOR)	
TP300	1-535-757-11	s	CHIP, CHECKER (CONNECTOR)	
TP301	1-535-757-11	s	CHIP, CHECKER (CONNECTOR)	
TP302	1-535-757-11	s	CHIP, CHECKER (CONNECTOR)	
TP303	1-535-757-11	s	CHIP, CHECKER (CONNECTOR)	
TP400	1-535-757-11	s	CHIP, CHECKER (CONNECTOR)	
TP401	1-535-757-11	s	CHIP, CHECKER (CONNECTOR)	
TP701	1-535-757-11	s	CHIP, CHECKER (CONNECTOR)	
X200	1-760-273-11	s	VIBRATOR, CRYSTAL	
X300	1-795-219-21	s	VIBRATOR, CRYSTAL	
X400	1-781-922-21	s	VIBRATOR, CERAMIC	
X720	1-795-416-21	s	VIBRATOR, CRYSTAL	

## C BOARD

Ref. No. or Q'ty	Part No.	SP	Description	
lpc	A-1302-480-A	s	MOUNTED CIRCUIT BOARD, C	
C200	1-125-777-11	s	CAPACITOR CERAMIC 0.1MF/10V	
C201	1-126-205-11	s	CAPACITOR,ELECT 47M/6.3	
C202	1-107-820-11	s	CAPACITOR,CHIP CERAMIC 0.1MF F	
C203	1-164-943-11	s	CAPACITOR,CHIP CERAMIC 0.01MF	
C205	1-164-943-11	s	CAPACITOR,CHIP CERAMIC 0.01MF	
C206	1-164-943-11	s	CAPACITOR,CHIP CERAMIC 0.01MF	
C207	1-107-820-11	s	CAPACITOR,CHIP CERAMIC 0.1MF F	
C208	1-107-820-11	s	CAPACITOR,CHIP CERAMIC 0.1MF F	
C209	1-164-937-11	s	CAPACITOR,CHIP CERAMIC 1000PF	
C210	1-164-937-11	s	CAPACITOR,CHIP CERAMIC 1000PF	
C211	1-164-937-11	s	CAPACITOR,CHIP CERAMIC 1000PF	
C212	1-164-937-11	s	CAPACITOR,CHIP CERAMIC 1000PF	
C213	1-115-566-11	s	CAPACITOR,CERAMIC 4.7MF B/6.3V	
C214	1-107-820-11	s	CAPACITOR,CHIP CERAMIC 0.1MF F	
C215	1-164-943-11	s	CAPACITOR,CHIP CERAMIC 0.01MF	
C216	1-107-820-11	s	CAPACITOR,CHIP CERAMIC 0.1MF F	
C217	1-164-852-11	s	CAPACITOR,CHIP CERAMIC 12PF/16	
C218	1-107-820-11	s	CAPACITOR,CHIP CERAMIC 0.1MF F	
C219	1-164-852-11	s	CAPACITOR,CHIP CERAMIC 12PF/16	
C220	1-164-943-11	s	CAPACITOR,CHIP CERAMIC 0.01MF	
C221	1-107-820-11	s	CAPACITOR,CHIP CERAMIC 0.1MF F	
C223	1-107-820-11	s	CAPACITOR,CHIP CERAMIC 0.1MF F	
C224	1-107-820-11	s	CAPACITOR,CHIP CERAMIC 0.1MF F	
C300	1-128-992-11	s	CAPACITOR ELECT 47MF 25V	
C301	1-128-992-11	s	CAPACITOR ELECT 47MF 25V	
C302	1-107-820-11	s	CAPACITOR,CHIP CERAMIC 0.1MF F	
C303	1-126-205-11	s	CAPACITOR,ELECT 47M/6.3	
C304	1-164-874-11	s	CAPACITOR,CHIP CERAMIC 100PF	
C305	1-164-874-11	s	CAPACITOR,CHIP CERAMIC 100PF	
C306	1-117-370-11	s	CAPACITOR CERAMIC 10MF (3216)	
C307	1-125-777-11	s	CAPACITOR CERAMIC 0.1MF/10V	
C308	1-107-820-11	s	CAPACITOR,CHIP CERAMIC 0.1MF F	
C309	1-126-205-11	s	CAPACITOR,ELECT 47M/6.3	
C310	1-126-205-11	s	CAPACITOR,ELECT 47M/6.3	
C311	1-164-947-11	s	CAPACITOR CHIP CERAMIC 0.01MF	
C312	1-115-156-11	s	CAPACITOR,CERAMIC 1MF/10V(1608	
C313	1-119-667-11	s	CAPACITOR CERAMIC 22MF/10V(F)	
C314	1-126-205-11	s	CAPACITOR,ELECT 47M/6.3	
C315	1-125-777-11	s	CAPACITOR CERAMIC 0.1MF/10V	
C316	1-125-891-11	s	CAPACITOR CERAMIC 0.47MF/10V	
C317	1-125-891-11	s	CAPACITOR CERAMIC 0.47MF/10V	
C318	1-107-820-11	s	CAPACITOR,CHIP CERAMIC 0.1MF F	
C319	1-128-992-11	s	CAPACITOR ELECT 47MF 25V	
C320	1-126-206-11	s	CAPACITOR, ELECT 100MF/6.3V	
C321	1-107-820-11	s	CAPACITOR,CHIP CERAMIC 0.1MF F	
C322	1-107-820-11	s	CAPACITOR,CHIP CERAMIC 0.1MF F	
C323	1-107-820-11	s	CAPACITOR,CHIP CERAMIC 0.1MF F	
C324	1-107-820-11	s	CAPACITOR,CHIP CERAMIC 0.1MF F	
C326	1-107-820-11	s	CAPACITOR,CHIP CERAMIC 0.1MF F	
C327	1-107-820-11	s	CAPACITOR,CHIP CERAMIC 0.1MF F	
C328	1-107-820-11	s	CAPACITOR,CHIP CERAMIC 0.1MF F	
C329	1-107-820-11	s	CAPACITOR,CHIP CERAMIC 0.1MF F	
C331	1-128-992-11	s	CAPACITOR ELECT 47MF 25V	
C332	1-128-992-11	s	CAPACITOR ELECT 47MF 25V	
C333	1-128-992-11	s	CAPACITOR ELECT 47MF 25V	
C334	1-128-992-11	s	CAPACITOR ELECT 47MF 25V	
C336	1-164-505-11	s	CAPACITOR,CHIP CERAMIC 2.2MF	





## (C BOARD)

Ref. No. or Q'ty	Part No.	SP	Description
C615	1-115-339-11	s	CAPACITOR,CERAMIC 0.1MF/50V
C616	1-115-339-11	s	CAPACITOR,CERAMIC 0.1MF/50V
C617	1-128-992-11	s	CAPACITOR ELECT 47MF 25V
C618	1-115-339-11	s	CAPACITOR,CERAMIC 0.1MF/50V
C619	1-115-339-11	s	CAPACITOR,CERAMIC 0.1MF/50V
C620	1-115-339-11	s	CAPACITOR,CERAMIC 0.1MF/50V
C621	1-128-992-11	s	CAPACITOR ELECT 47MF 25V
C622	1-115-339-11	s	CAPACITOR,CERAMIC 0.1MF/50V
C623	1-115-339-11	s	CAPACITOR,CERAMIC 0.1MF/50V
C624	1-125-827-11	s	CAPACITOR,CERAMIC 1MF/25V
C625	1-128-992-11	s	CAPACITOR ELECT 47MF 25V
C650	1-115-339-11	s	CAPACITOR,CERAMIC 0.1MF/50V
C651	1-128-992-11	s	CAPACITOR ELECT 47MF 25V
C652	1-164-947-11	s	CAPACITOR CHIP CERAMIC 0.01MF
C653	1-115-339-11	s	CAPACITOR,CERAMIC 0.1MF/50V
C654	1-115-339-11	s	CAPACITOR,CERAMIC 0.1MF/50V
C655	1-126-197-11	s	CAPACITOR ERECT 10MF/50V
C700	1-125-777-11	s	CAPACITOR CERAMIC 0.1MF/10V
C701	1-126-205-11	s	CAPACITOR,ELECT 47M/6.3
C702	1-126-205-11	s	CAPACITOR,ELECT 47M/6.3
C703	1-125-777-11	s	CAPACITOR CERAMIC 0.1MF/10V
C704	1-126-205-11	s	CAPACITOR,ELECT 47M/6.3
C705	1-125-777-11	s	CAPACITOR CERAMIC 0.1MF/10V
C706	1-115-339-11	s	CAPACITOR,CERAMIC 0.1MF/50V
C707	1-115-339-11	s	CAPACITOR,CERAMIC 0.1MF/50V
C708	1-128-992-11	s	CAPACITOR ELECT 47MF 25V
C709	1-128-992-11	s	CAPACITOR ELECT 47MF 25V
C710	1-115-339-11	s	CAPACITOR,CERAMIC 0.1MF/50V
C711	1-115-339-11	s	CAPACITOR,CERAMIC 0.1MF/50V
C712	1-128-992-11	s	CAPACITOR ELECT 47MF 25V
C713	1-128-992-11	s	CAPACITOR ELECT 47MF 25V
C714	1-128-992-11	s	CAPACITOR ELECT 47MF 25V
C715	1-115-339-11	s	CAPACITOR,CERAMIC 0.1MF/50V
C716	1-115-339-11	s	CAPACITOR,CERAMIC 0.1MF/50V
C717	1-128-992-11	s	CAPACITOR ELECT 47MF 25V
C718	1-115-339-11	s	CAPACITOR,CERAMIC 0.1MF/50V
C719	1-115-339-11	s	CAPACITOR,CERAMIC 0.1MF/50V
C720	1-115-339-11	s	CAPACITOR,CERAMIC 0.1MF/50V
C721	1-128-992-11	s	CAPACITOR ELECT 47MF 25V
C722	1-115-339-11	s	CAPACITOR,CERAMIC 0.1MF/50V
C723	1-115-339-11	s	CAPACITOR,CERAMIC 0.1MF/50V
C724	1-125-827-11	s	CAPACITOR,CERAMIC 1MF/25V
C725	1-128-992-11	s	CAPACITOR ELECT 47MF 25V
C800	1-125-777-11	s	CAPACITOR CERAMIC 0.1MF/10V
C801	1-126-205-11	s	CAPACITOR,ELECT 47M/6.3
C802	1-126-205-11	s	CAPACITOR,ELECT 47M/6.3
C803	1-125-777-11	s	CAPACITOR CERAMIC 0.1MF/10V
C804	1-126-205-11	s	CAPACITOR,ELECT 47M/6.3
C805	1-125-777-11	s	CAPACITOR CERAMIC 0.1MF/10V
C806	1-115-339-11	s	CAPACITOR,CERAMIC 0.1MF/50V
C807	1-115-339-11	s	CAPACITOR,CERAMIC 0.1MF/50V
C808	1-128-992-11	s	CAPACITOR ELECT 47MF 25V
C809	1-128-992-11	s	CAPACITOR ELECT 47MF 25V
C810	1-115-339-11	s	CAPACITOR,CERAMIC 0.1MF/50V
C811	1-115-339-11	s	CAPACITOR,CERAMIC 0.1MF/50V
C812	1-128-992-11	s	CAPACITOR ELECT 47MF 25V
C813	1-128-992-11	s	CAPACITOR ELECT 47MF 25V
C814	1-128-992-11	s	CAPACITOR ELECT 47MF 25V
C815	1-115-339-11	s	CAPACITOR,CERAMIC 0.1MF/50V

## (C BOARD)

Ref. No. or Q'ty	Part No.	SP	Description
C816	1-115-339-11	s	CAPACITOR,CERAMIC 0.1MF/50V
C817	1-128-992-11	s	CAPACITOR ELECT 47MF 25V
C818	1-115-339-11	s	CAPACITOR,CERAMIC 0.1MF/50V
C819	1-115-339-11	s	CAPACITOR,CERAMIC 0.1MF/50V
C820	1-115-339-11	s	CAPACITOR,CERAMIC 0.1MF/50V
C821	1-128-992-11	s	CAPACITOR ELECT 47MF 25V
C822	1-115-339-11	s	CAPACITOR,CERAMIC 0.1MF/50V
C823	1-115-339-11	s	CAPACITOR,CERAMIC 0.1MF/50V
C824	1-125-827-11	s	CAPACITOR,CERAMIC 1MF/25V
C825	1-128-992-11	s	CAPACITOR ELECT 47MF 25V
C900	1-126-205-11	s	CAPACITOR,ELECT 47M/6.3
C901	1-107-820-11	s	CAPACITOR,CHIP CERAMIC 0.1MF F
C904	1-127-692-11	s	CAP, CHIP CERAMIC 10MF B 3216
C906	1-115-339-11	s	CAPACITOR,CERAMIC 0.1MF/50V
C910	1-107-820-11	s	CAPACITOR,CHIP CERAMIC 0.1MF F
C912	1-131-992-11	s	CAP, CERAMIC 100000PF F 1608
C913	1-126-204-11	s	CAPACITOR, ELECT 47MF/16V(CHIP
C914	1-126-205-11	s	CAPACITOR,ELECT 47M/6.3
C915	1-126-205-11	s	CAPACITOR,ELECT 47M/6.3
C916	1-126-205-11	s	CAPACITOR,ELECT 47M/6.3
C917	1-126-205-11	s	CAPACITOR,ELECT 47M/6.3
C918	1-126-205-11	s	CAPACITOR,ELECT 47M/6.3
C919	1-107-820-11	s	CAPACITOR,CHIP CERAMIC 0.1MF F
C920	1-107-820-11	s	CAPACITOR,CHIP CERAMIC 0.1MF F
C921	1-107-820-11	s	CAPACITOR,CHIP CERAMIC 0.1MF F
C922	1-107-820-11	s	CAPACITOR,CHIP CERAMIC 0.1MF F
C923	1-125-777-11	s	CAPACITOR CERAMIC 0.1MF/10V
C924	1-125-777-11	s	CAPACITOR CERAMIC 0.1MF/10V
C925	1-117-681-11	s	CAPACITOR, ELECT 100MF/16V
C926	1-107-826-11	s	CAPACITOR,CHIP CERAMIC 0.1MF
C927	1-107-826-11	s	CAPACITOR,CHIP CERAMIC 0.1MF
C928	1-115-156-11	s	CAPACITOR,CERAMIC 1MF/10V(1608
C929	1-107-826-11	s	CAPACITOR,CHIP CERAMIC 0.1MF
C930	1-135-342-11	s	CAPACITOR,SOLID ELECT 56MF
C931	1-115-156-11	s	CAPACITOR,CERAMIC 1MF/10V(1608
C932	1-127-861-11	s	CAP, CERAMIC 2.2MF B (3216)
C933	1-164-230-11	s	CAPACITOR,CERAMIC 220PF/50V
C935	1-115-156-11	s	CAPACITOR,CERAMIC 1MF/10V(1608
C936	1-125-777-11	s	CAPACITOR CERAMIC 0.1MF/10V
C937	1-125-777-11	s	CAPACITOR CERAMIC 0.1MF/10V
C938	1-125-777-11	s	CAPACITOR CERAMIC 0.1MF/10V
C939	1-125-777-11	s	CAPACITOR CERAMIC 0.1MF/10V
C940	1-125-777-11	s	CAPACITOR CERAMIC 0.1MF/10V
C941	1-125-777-11	s	CAPACITOR CERAMIC 0.1MF/10V
C942	1-125-777-11	s	CAPACITOR CERAMIC 0.1MF/10V
C943	1-125-777-11	s	CAPACITOR CERAMIC 0.1MF/10V
C944	1-125-777-11	s	CAPACITOR CERAMIC 0.1MF/10V
C945	1-126-204-11	s	CAPACITOR, ELECT 47MF/16V(CHIP
C946	1-126-204-11	s	CAPACITOR, ELECT 47MF/16V(CHIP
CN100	1-785-306-21	o	CONNECTOR, BOARD TO BOARD
CN101	1-785-306-21	o	CONNECTOR, BOARD TO BOARD
CN102	1-785-613-11	o	CONNECTOR, FFC/FPC 50P
CN200	1-778-965-21	s	PIN, CONNECTOR (PC BOARD) 12P
CN201	1-770-622-21	s	PIN, CONNECTOR 5P
CN300	1-580-756-21	s	PIN, CONNECTOR 7P
CN302	1-778-965-21	s	PIN, CONNECTOR (PC BOARD) 12P
CN303	1-770-620-21	s	PIN, CONNECTOR 3P
CN304	1-770-621-21	s	PIN, CONNECTOR 4P
CN305	1-770-619-11	o	PIN, CONNECTOR 2P

## (C BOARD)

Ref. No. or Q'ty	Part No.	SP	Description
CN306	1-770-622-21	s	PIN, CONNECTOR 5P
CN307	1-695-223-21	o	PIN,CONNECTOR (SMD) 10P
CN308	1-573-290-21	s	PIN,CONNECTOR (4P)(SMD)(1.5MM)
CN310	1-774-730-21	s	PIN, CONNECTOR (PC BOARD) 3P
CN311	1-794-509-11	s	PIN, CONNECTOR (PC BOARD) (3P)
CN312	1-691-550-11	s	PIN,CONNECTOR (3P)(SMD)(1.5MM)
CN400	1-785-946-11	s	CONNECTOR 3P
CN401	1-785-306-21	o	CONNECTOR, BOARD TO BOARD
CN500	1-779-884-11	s	PLUG, CONNECTOR 4P
CN600	1-794-823-11	s	CONNECTOR (ZIF), FPC/FFC 32P
CN700	1-794-823-11	s	CONNECTOR (ZIF), FPC/FFC 32P
CN800	1-794-823-11	s	CONNECTOR (ZIF), FPC/FFC 32P
CN900	1-779-806-21	s	CONNECTOR, 1.0MM PITCH 8P
CN901	1-580-057-11	s	PIN,CONNECTOR 4P
CN902	1-695-320-21	o	PIN, CONNECTOR(1.5MM)SMD 2P
CN903	1-691-591-11	o	PIN,CONNECTOR (8P)(SMD)(1.5MM)
D200	8-719-024-77	s	DIODE HN1D03FU-TE85L
D300	8-719-073-01	s	DIODE MA111-(K8).S0
D301	8-719-073-11	s	DIODE BZA456A
D302	8-719-073-01	s	DIODE MA111-(K8).S0
D303	8-719-073-01	s	DIODE MA111-(K8).S0
D305	8-719-073-01	s	DIODE MA111-(K8).S0
D306	8-719-073-01	s	DIODE MA111-(K8).S0
D503	8-719-073-01	s	DIODE MA111-(K8).S0
D902	8-719-073-01	s	DIODE MA111-(K8).S0
D903	8-719-073-01	s	DIODE MA111-(K8).S0
D904	8-719-036-94	s	DIODE RD5.6SB-T1
FB100	1-414-921-11	s	INDUCTOR, FERRITE BEAD
FB101	1-400-150-11	s	FERRITE, EMI (SMD)
FB200	1-414-921-11	s	INDUCTOR, FERRITE BEAD
FB303	1-414-921-11	s	INDUCTOR, FERRITE BEAD
FB304	1-414-921-11	s	INDUCTOR, FERRITE BEAD
FB305	1-414-921-11	s	INDUCTOR, FERRITE BEAD
FB306	1-414-921-11	s	INDUCTOR, FERRITE BEAD
FB307	1-414-921-11	s	INDUCTOR, FERRITE BEAD
FB308	1-414-921-11	s	INDUCTOR, FERRITE BEAD
FB310	1-414-921-11	s	INDUCTOR, FERRITE BEAD
FB311	1-414-921-11	s	INDUCTOR, FERRITE BEAD
FB313	1-414-921-11	s	INDUCTOR, FERRITE BEAD
FB314	1-414-921-11	s	INDUCTOR, FERRITE BEAD
FB316	1-414-921-11	s	INDUCTOR, FERRITE BEAD
FB317	1-414-921-11	s	INDUCTOR, FERRITE BEAD
FB318	1-414-921-11	s	INDUCTOR, FERRITE BEAD
FB319	1-414-921-11	s	INDUCTOR, FERRITE BEAD
FB320	1-414-921-11	s	INDUCTOR, FERRITE BEAD
FB321	1-414-921-11	s	INDUCTOR, FERRITE BEAD
FB322	1-414-921-11	s	INDUCTOR, FERRITE BEAD
FB323	1-414-921-11	s	INDUCTOR, FERRITE BEAD
FB324	1-400-150-11	s	FERRITE, EMI (SMD)
FB325	1-414-921-11	s	INDUCTOR, FERRITE BEAD
FB326	1-414-921-11	s	INDUCTOR, FERRITE BEAD
FB327	1-414-921-11	s	INDUCTOR, FERRITE BEAD
FB328	1-414-921-11	s	INDUCTOR, FERRITE BEAD
FB329	1-414-921-11	s	INDUCTOR, FERRITE BEAD
FB330	1-400-150-11	s	FERRITE, EMI (SMD)
FB331	1-400-150-11	s	FERRITE, EMI (SMD)
FB332	1-414-921-11	s	INDUCTOR, FERRITE BEAD

## (C BOARD)

Ref. No. or Q'ty	Part No.	SP	Description
FB334	1-414-921-11	s	INDUCTOR, FERRITE BEAD
FB335	1-414-921-11	s	INDUCTOR, FERRITE BEAD
FB336	1-414-921-11	s	INDUCTOR, FERRITE BEAD
FB337	1-414-921-11	s	INDUCTOR, FERRITE BEAD
FB338	1-469-670-11	o	FERRITE, EMI (SMD)
FB340	1-469-670-11	o	FERRITE, EMI (SMD)
FB341	1-469-670-11	o	FERRITE, EMI (SMD)
FB400	1-500-451-11	s	MICRO INDUCTOR (CHIP) 41P750S
FB401	1-414-921-11	s	INDUCTOR, FERRITE BEAD
FB402	1-414-921-11	s	INDUCTOR, FERRITE BEAD
FB403	1-414-921-11	s	INDUCTOR, FERRITE BEAD
FB404	1-414-921-11	s	INDUCTOR, FERRITE BEAD
FB405	1-469-670-11	o	FERRITE, EMI (SMD)
FB500	1-469-670-11	o	FERRITE, EMI (SMD)
FB501	1-469-670-11	o	FERRITE, EMI (SMD)
FB502	1-469-670-11	o	FERRITE, EMI (SMD)
FB503	1-414-921-11	s	INDUCTOR, FERRITE BEAD
FB504	1-414-921-11	s	INDUCTOR, FERRITE BEAD
FB505	1-414-921-11	s	INDUCTOR, FERRITE BEAD
FB600	1-414-921-11	s	INDUCTOR, FERRITE BEAD
FB601	1-414-921-11	s	INDUCTOR, FERRITE BEAD
FB602	1-414-921-11	s	INDUCTOR, FERRITE BEAD
FB700	1-414-921-11	s	INDUCTOR, FERRITE BEAD
FB701	1-414-921-11	s	INDUCTOR, FERRITE BEAD
FB702	1-414-921-11	s	INDUCTOR, FERRITE BEAD
FB703	1-414-921-11	s	INDUCTOR, FERRITE BEAD
FB800	1-414-921-11	s	INDUCTOR, FERRITE BEAD
FB801	1-414-921-11	s	INDUCTOR, FERRITE BEAD
FB802	1-414-921-11	s	INDUCTOR, FERRITE BEAD
FB900	1-469-670-11	o	FERRITE, EMI (SMD)
FB901	1-469-670-11	o	FERRITE, EMI (SMD)
FB902	1-400-150-11	s	FERRITE, EMI (SMD)
FB903	1-400-150-11	s	FERRITE, EMI (SMD)
FB904	1-400-150-11	s	FERRITE, EMI (SMD)
FB905	1-400-150-11	s	FERRITE, EMI (SMD)
FB906	1-400-150-11	s	FERRITE, EMI (SMD)
FB907	1-400-150-11	s	FERRITE, EMI (SMD)
FB908	1-400-150-11	s	FERRITE, EMI (SMD)
FB909	1-400-150-11	s	FERRITE, EMI (SMD)
FB910	1-414-921-11	s	INDUCTOR, FERRITE BEAD
FB911	1-414-921-11	s	INDUCTOR, FERRITE BEAD
FB912	1-469-670-11	o	FERRITE, EMI (SMD)
FB913	1-414-921-11	s	INDUCTOR, FERRITE BEAD
FB914	1-469-670-11	o	FERRITE, EMI (SMD)
FL300	1-239-899-21	s	FILTER, CHIP EMI
FL301	1-239-899-21	s	FILTER, CHIP EMI
IC200	6-704-842-01	s	IC AIC1117A-33PEJTR
IC201	8-759-471-89	s	IC 74VHC02MTCX
IC202	8-759-549-01	s	IC SN74LV125APWR
IC203	-----	IC	HD64F2376VFQ33V
IC204	6-703-225-01	s	IC S-80928CNMC-G8YT2G
IC301	8-759-681-47	s	IC IRMF-A0T-QTP
IC302	8-759-066-55	s	IC TA75W393FU
IC303	8-759-714-09	s	IC ADXL202JE-REEL
IC304	8-759-066-55	s	IC TA75W393FU
IC305	8-759-643-48	s	IC BA00ASFP-E2
IC306	8-759-643-48	s	IC BA00ASFP-E2

**Note** Replace this IC after it is written in all kind of data.

## (C BOARD)

Ref. No. or Q'ty	Part No.	SP	Description
IC307	8-759-643-48	s IC	BA00ASFP-E2
IC308	8-759-643-48	s IC	BA00ASFP-E2
IC310	6-704-841-01	s IC	AIC1117A-50PEJTR
IC400	6-704-843-01	s IC	AIC1117A-PEJTR
IC402	6-705-136-01	s IC	PQ025EZ01ZPH
IC403	6-703-225-01	s IC	S-80928CNMC-G8YT2G
IC404	6-704-477-01	s IC	CY25025SZC-1T
IC405	6-704-030-01	s IC	TC7SA04FU (TE85R)
IC406	6-803-610-01	s IC	MX29LV800ATTC-70G-57PW
IC500	8-759-831-52	s IC	TC7WH125FK (TE85R)
IC501	8-759-659-65	s IC	LP2985IM5X-3.3
IC502	6-703-225-01	s IC	S-80928CNMC-G8YT2G
IC503	6-703-225-01	s IC	S-80928CNMC-G8YT2G
IC504	6-700-953-01	s IC	LM1117MPX-1.8
IC505	-----	IC	HN58X24256FPIZ
<b>Note</b> If this IC has failed, replace the whole C board.			
IC506	8-759-679-58	s IC	SN74AHCT541PWR
IC507	8-759-679-58	s IC	SN74AHCT541PWR
IC508	8-752-421-22	s IC	CXD3531R
IC510	6-704-030-01	s IC	TC7SA04FU (TE85R)
IC600	6-704-842-01	s IC	AIC1117A-33PEJTR
IC601	8-752-107-63	s IC	CXA7004R-T4
IC602	8-752-107-63	s IC	CXA7004R-T4
IC650	6-705-025-01	s IC	PQ20WZ1UJ00H
IC651	8-759-252-41	s IC	TK11900MTL
IC700	6-704-842-01	s IC	AIC1117A-33PEJTR
IC701	8-752-107-63	s IC	CXA7004R-T4
IC702	8-752-107-63	s IC	CXA7004R-T4
IC800	6-704-842-01	s IC	AIC1117A-33PEJTR
IC801	8-752-107-63	s IC	CXA7004R-T4
IC802	8-752-107-63	s IC	CXA7004R-T4
IC900	6-803-526-01	s IC	LC4032V-75TN48C-MTC
IC901	6-700-792-01	s IC	NJM78M09DLLA (TE1)
IC903	8-759-533-85	s IC	L88M05T-FA-TL
IC904	8-759-276-89	s IC	BA6285FP (E2)
IC905	8-759-276-89	s IC	BA6285FP (E2)
IC906	6-704-841-01	s IC	AIC1117A-50PEJTR
IC907	6-703-352-01	s IC	TPA2000D1PW
IC908	8-759-352-94	s IC	TDA7309D013TR
L400	1-469-528-91	s	INDUCTOR 100UH (NLFV25)
L600	1-410-369-11	s	INDUCTOR,CHIP 1UH (3225)
L601	1-410-369-11	s	INDUCTOR,CHIP 1UH (3225)
L602	1-410-369-11	s	INDUCTOR,CHIP 1UH (3225)
L603	1-410-369-11	s	INDUCTOR,CHIP 1UH (3225)
L604	1-410-369-11	s	INDUCTOR,CHIP 1UH (3225)
L605	1-410-369-11	s	INDUCTOR,CHIP 1UH (3225)
L700	1-410-369-11	s	INDUCTOR,CHIP 1UH (3225)
L701	1-410-369-11	s	INDUCTOR,CHIP 1UH (3225)
L702	1-410-369-11	s	INDUCTOR,CHIP 1UH (3225)
L703	1-410-369-11	s	INDUCTOR,CHIP 1UH (3225)
L704	1-410-369-11	s	INDUCTOR,CHIP 1UH (3225)
L705	1-410-369-11	s	INDUCTOR,CHIP 1UH (3225)
L800	1-410-369-11	s	INDUCTOR,CHIP 1UH (3225)
L801	1-410-369-11	s	INDUCTOR,CHIP 1UH (3225)
L802	1-410-369-11	s	INDUCTOR,CHIP 1UH (3225)
L803	1-410-369-11	s	INDUCTOR,CHIP 1UH (3225)
L804	1-410-369-11	s	INDUCTOR,CHIP 1UH (3225)
L805	1-410-369-11	s	INDUCTOR,CHIP 1UH (3225)
L900	1-409-529-41	s	COIL, CHOKER 10UH

## (C BOARD)

Ref. No. or Q'ty	Part No.	SP	Description
L901	1-412-028-11	s	INDUCTOR,CHIP 4.7UH (3225)
Q200	6-550-014-01	s	TRANSISTOR SSM6N15FU (TE85R)
Q201	6-550-014-01	s	TRANSISTOR SSM6N15FU (TE85R)
Q202	6-550-014-01	s	TRANSISTOR SSM6N15FU (TE85R)
Q203	6-550-014-01	s	TRANSISTOR SSM6N15FU (TE85R)
Q204	6-550-014-01	s	TRANSISTOR SSM6N15FU (TE85R)
Q205	6-550-014-01	s	TRANSISTOR SSM6N15FU (TE85R)
Q206	8-729-013-28	s	TRANSISTOR HN1B01FU-TE85R
Q280	6-550-014-01	s	TRANSISTOR SSM6N15FU (TE85R)
Q281	6-550-014-01	s	TRANSISTOR SSM6N15FU (TE85R)
Q300	8-729-029-14	s	TRANSISTOR DTC144EUA-T106
Q301	8-729-029-14	s	TRANSISTOR DTC144EUA-T106
Q302	8-729-026-53	s	TRANSISTOR 2SA1576A-T106-QR
Q303	8-729-427-72	s	TRANSISTOR XP4501-TXE
Q304	8-729-029-14	s	TRANSISTOR DTC144EUA-T106
Q305	8-729-029-14	s	TRANSISTOR DTC144EUA-T106
Q306	8-729-029-14	s	TRANSISTOR DTC144EUA-T106
Q308	8-729-029-14	s	TRANSISTOR DTC144EUA-T106
Q309	8-729-029-14	s	TRANSISTOR DTC144EUA-T106
Q310	8-729-013-28	s	TRANSISTOR HN1B01FU-TE85R
Q311	8-729-013-28	s	TRANSISTOR HN1B01FU-TE85R
Q312	8-729-013-28	s	TRANSISTOR HN1B01FU-TE85R
Q400	8-729-907-00	s	TRANSISTOR DTC114EU
Q401	8-729-047-32	s	TRANSISTOR SI4425DY-T1
Q500	8-729-047-32	s	TRANSISTOR SI4425DY-T1
Q501	8-729-907-00	s	TRANSISTOR DTC114EU
Q502	8-729-230-49	s	TRANSISTOR 2SC2712-YG
Q503	8-729-013-28	s	TRANSISTOR HN1B01FU-TE85R
Q504	8-729-907-00	s	TRANSISTOR DTC114EU
Q600	8-729-013-28	s	TRANSISTOR HN1B01FU-TE85R
Q601	8-729-013-28	s	TRANSISTOR HN1B01FU-TE85R
Q700	8-729-013-28	s	TRANSISTOR HN1B01FU-TE85R
Q701	8-729-013-28	s	TRANSISTOR HN1B01FU-TE85R
Q800	8-729-013-28	s	TRANSISTOR HN1B01FU-TE85R
Q801	8-729-013-28	s	TRANSISTOR HN1B01FU-TE85R
Q900	8-729-029-14	s	TRANSISTOR DTC144EUA-T106
R200	1-218-961-11	s	RESISTOR, CHIP 4.7K 1/16W
R201	1-218-961-11	s	RESISTOR, CHIP 4.7K 1/16W
R202	1-218-965-11	s	RESISTOR, CHIP 10K 1/16W
R203	1-218-941-81	s	C-RES,V 100-1/16W J
R204	1-218-941-81	s	C-RES,V 100-1/16W J
R205	1-208-699-11	s	RESISTOR,CHIP 4.7K 1/16W(1005)
R207	1-208-699-11	s	RESISTOR,CHIP 4.7K 1/16W(1005)
R208	1-208-699-11	s	RESISTOR,CHIP 4.7K 1/16W(1005)
R209	1-218-957-11	s	RESISTOR,CHIP 2.2K 1/16W(1608)
R210	1-218-957-11	s	RESISTOR,CHIP 2.2K 1/16W(1608)
R211	1-218-961-11	s	RESISTOR, CHIP 4.7K 1/16W
R212	1-218-941-81	s	C-RES,V 100-1/16W J
R213	1-218-961-11	s	RESISTOR, CHIP 4.7K 1/16W
R214	1-218-941-81	s	C-RES,V 100-1/16W J
R215	1-218-941-81	s	C-RES,V 100-1/16W J
R216	1-218-941-81	s	C-RES,V 100-1/16W J
R217	1-218-941-81	s	C-RES,V 100-1/16W J
R218	1-218-941-81	s	C-RES,V 100-1/16W J
R219	1-218-941-81	s	C-RES,V 100-1/16W J
R220	1-218-961-11	s	RESISTOR, CHIP 4.7K 1/16W
R221	1-218-961-11	s	RESISTOR, CHIP 4.7K 1/16W
R222	1-218-965-11	s	RESISTOR, CHIP 10K 1/16W

## (C BOARD)

Ref. No. or Q'ty	Part No.	SP Description
R223	1-218-965-11	s RESISTOR, CHIP 10K 1/16W
R224	1-218-973-11	s RESISTOR,CHIP 47K 1/16W (1005)
R225	1-218-961-11	s RESISTOR, CHIP 4.7K 1/16W
R226	1-218-965-11	s RESISTOR, CHIP 10K 1/16W
R227	1-218-941-81	s C-RES,V 100-1/16W J
R228	1-218-961-11	s RESISTOR, CHIP 4.7K 1/16W
R229	1-218-961-11	s RESISTOR, CHIP 4.7K 1/16W
R230	1-218-961-11	s RESISTOR, CHIP 4.7K 1/16W
R231	1-218-941-81	s C-RES,V 100-1/16W J
R232	1-218-941-81	s C-RES,V 100-1/16W J
R233	1-218-941-81	s C-RES,V 100-1/16W J
R234	1-218-961-11	s RESISTOR, CHIP 4.7K 1/16W
R236	1-218-961-11	s RESISTOR, CHIP 4.7K 1/16W
R238	1-218-965-11	s RESISTOR, CHIP 10K 1/16W
R239	1-218-965-11	s RESISTOR, CHIP 10K 1/16W
R240	1-208-635-11	s RESISTOR CHIP 10 1/16W (1005)
R241	1-218-965-11	s RESISTOR, CHIP 10K 1/16W
R242	1-218-945-11	s RESISTOR,CHIP 220 1/16W(1005)
R243	1-218-965-11	s RESISTOR, CHIP 10K 1/16W
R244	1-218-973-11	s RESISTOR,CHIP 47K 1/16W (1005)
R245	1-218-965-11	s RESISTOR, CHIP 10K 1/16W
R246	1-218-965-11	s RESISTOR, CHIP 10K 1/16W
R247	1-218-973-11	s RESISTOR,CHIP 47K 1/16W (1005)
R248	1-218-941-81	s C-RES,V 100-1/16W J
R252	1-218-965-11	s RESISTOR, CHIP 10K 1/16W
R253	1-218-941-81	s C-RES,V 100-1/16W J
R254	1-218-965-11	s RESISTOR, CHIP 10K 1/16W
R255	1-218-941-81	s C-RES,V 100-1/16W J
R256	1-218-953-11	s RESISTOR, CHIP 1K 1/16W
R257	1-218-941-81	s C-RES,V 100-1/16W J
R258	1-218-941-81	s C-RES,V 100-1/16W J
R259	1-218-965-11	s RESISTOR, CHIP 10K 1/16W
R260	1-218-941-81	s C-RES,V 100-1/16W J
R261	1-218-941-81	s C-RES,V 100-1/16W J
R262	1-218-941-81	s C-RES,V 100-1/16W J
R263	1-218-990-11	s RESISTOR,CHIP 0 1/16W (1005)
R264	1-218-971-11	s RESISTOR,CHIP 33K 1/16W (1005)
R265	1-218-971-11	s RESISTOR,CHIP 33K 1/16W (1005)
R267	1-218-965-11	s RESISTOR, CHIP 10K 1/16W
R268	1-218-965-11	s RESISTOR, CHIP 10K 1/16W
R269	1-218-965-11	s RESISTOR, CHIP 10K 1/16W
R270	1-218-965-11	s RESISTOR, CHIP 10K 1/16W
R271	1-218-965-11	s RESISTOR, CHIP 10K 1/16W
R272	1-218-941-81	s C-RES,V 100-1/16W J
R280	1-218-961-11	s RESISTOR, CHIP 4.7K 1/16W
R281	1-218-961-11	s RESISTOR, CHIP 4.7K 1/16W
R282	1-218-961-11	s RESISTOR, CHIP 4.7K 1/16W
R283	1-218-977-11	s RESISTOR,CHIP 100K 1/16W(1005)
R300	1-218-941-81	s C-RES,V 100-1/16W J
R301	1-218-941-81	s C-RES,V 100-1/16W J
R302	1-218-973-11	s RESISTOR,CHIP 47K 1/16W (1005)
R303	1-218-941-81	s C-RES,V 100-1/16W J
R304	1-218-973-11	s RESISTOR,CHIP 47K 1/16W (1005)
R305	1-218-962-11	s RESISTOR,CHIP 5.6K 1/16W(1005)
R306	1-216-833-11	s RESISTOR,CHIP 10K 1/10W (1608)
R307	1-218-961-11	s RESISTOR, CHIP 4.7K 1/16W
R309	1-218-977-11	s RESISTOR,CHIP 100K 1/16W(1005)
R310	1-218-965-11	s RESISTOR, CHIP 10K 1/16W
R311	1-218-953-11	s RESISTOR, CHIP 1K 1/16W

## (C BOARD)

Ref. No. or Q'ty	Part No.	SP Description
R313	1-218-973-11	s RESISTOR,CHIP 47K 1/16W (1005)
R314	1-218-941-81	s C-RES,V 100-1/16W J
R315	1-218-965-11	s RESISTOR, CHIP 10K 1/16W
R316	1-218-941-81	s C-RES,V 100-1/16W J
R317	1-218-941-81	s C-RES,V 100-1/16W J
R318	1-218-941-81	s C-RES,V 100-1/16W J
R319	1-218-943-11	s RESISTOR,CHIP 150 1/16W
R320	1-218-943-11	s RESISTOR,CHIP 150 1/16W
R321	1-218-965-11	s RESISTOR, CHIP 10K 1/16W
R322	1-218-917-11	s RESISTOR,CHIP 820K 1/10W(1608)
R323	1-218-957-11	s RESISTOR,CHIP 2.2K 1/16W(1608)
R325	1-218-973-11	s RESISTOR,CHIP 47K 1/16W (1005)
R326	1-218-965-11	s RESISTOR, CHIP 10K 1/16W
R327	1-218-973-11	s RESISTOR,CHIP 47K 1/16W (1005)
R328	1-218-959-11	s RESISTOR, CHIP 3.3K
R329	1-208-643-11	s RESISTOR CHIP 22 1/16W (1005)
R330	1-218-941-81	s C-RES,V 100-1/16W J
R331	1-218-953-11	s RESISTOR, CHIP 1K 1/16W
R332	1-208-643-11	s RESISTOR CHIP 22 1/16W (1005)
R333	1-218-977-11	s RESISTOR,CHIP 100K 1/16W(1005)
R334	1-218-973-11	s RESISTOR,CHIP 47K 1/16W (1005)
R335	1-218-965-11	s RESISTOR, CHIP 10K 1/16W
R336	1-218-965-11	s RESISTOR, CHIP 10K 1/16W
R337	1-218-965-11	s RESISTOR, CHIP 10K 1/16W
R338	1-218-965-11	s RESISTOR, CHIP 10K 1/16W
R339	1-218-965-11	s RESISTOR, CHIP 10K 1/16W
R340	1-218-965-11	s RESISTOR, CHIP 10K 1/16W
R341	1-218-965-11	s RESISTOR, CHIP 10K 1/16W
R342	1-218-965-11	s RESISTOR, CHIP 10K 1/16W
R345	1-208-928-11	s RESISTOR,CHIP 51K (1005)
R346	1-208-713-11	s RESISTOR CHIP 18K 1/16W (1005)
R347	1-208-709-11	s RESISTOR CHIP 12K 1/16W (1005)
R348	1-219-598-11	s RESISTOR, CHIP 47K 1/16W(1005)
R349	1-208-920-11	s RESISTOR,CHIP 24K 1/16W(1005)
R350	1-208-707-11	s RESISTOR,CHIP 10K 1/16W (1005)
R351	1-219-598-11	s RESISTOR, CHIP 47K 1/16W(1005)
R352	1-208-713-11	s RESISTOR CHIP 18K 1/16W (1005)
R353	1-208-709-11	s RESISTOR CHIP 12K 1/16W (1005)
R357	1-219-598-11	s RESISTOR, CHIP 47K 1/16W(1005)
R358	1-208-713-11	s RESISTOR CHIP 18K 1/16W (1005)
R359	1-208-707-11	s RESISTOR,CHIP 10K 1/16W (1005)
R360	1-208-713-11	s RESISTOR CHIP 18K 1/16W (1005)
R361	1-208-707-11	s RESISTOR,CHIP 10K 1/16W (1005)
R362	1-208-713-11	s RESISTOR CHIP 18K 1/16W (1005)
R363	1-208-713-11	s RESISTOR CHIP 18K 1/16W (1005)
R365	1-208-711-11	s RESISTOR CHIP 15K 1/16W (1005)
R367	1-208-711-11	s RESISTOR CHIP 15K 1/16W (1005)
R368	1-208-711-11	s RESISTOR CHIP 15K 1/16W (1005)
R369	1-208-711-11	s RESISTOR CHIP 15K 1/16W (1005)
R370	1-218-965-11	s RESISTOR, CHIP 10K 1/16W
R371	1-218-965-11	s RESISTOR, CHIP 10K 1/16W
R372	1-218-941-81	s C-RES,V 100-1/16W J
R373	1-218-965-11	s RESISTOR, CHIP 10K 1/16W
R375	1-218-965-11	s RESISTOR, CHIP 10K 1/16W
R376	1-218-965-11	s RESISTOR, CHIP 10K 1/16W
R377	1-218-953-11	s RESISTOR, CHIP 1K 1/16W
R378	1-218-953-11	s RESISTOR, CHIP 1K 1/16W
R379	1-218-953-11	s RESISTOR, CHIP 1K 1/16W
R380	1-218-973-11	s RESISTOR,CHIP 47K 1/16W (1005)

## (C BOARD)

Ref. No. or Q'ty	Part No.	SP	Description
R381	1-218-973-11	s	RESISTOR,CHIP 47K 1/16W (1005)
R382	1-218-973-11	s	RESISTOR,CHIP 47K 1/16W (1005)
R383	1-218-973-11	s	RESISTOR,CHIP 47K 1/16W (1005)
R384	1-218-973-11	s	RESISTOR,CHIP 47K 1/16W (1005)
R385	1-218-973-11	s	RESISTOR,CHIP 47K 1/16W (1005)
R386	1-208-635-11	s	RESISTOR CHIP 10 1/16W (1005)
R387	1-208-635-11	s	RESISTOR CHIP 10 1/16W (1005)
R388	1-208-635-11	s	RESISTOR CHIP 10 1/16W (1005)
R400	1-218-990-11	s	RESISTOR,CHIP 0 1/16W (1005)
R401	1-208-643-11	s	RESISTOR CHIP 22 1/16W (1005)
R402	1-208-643-11	s	RESISTOR CHIP 22 1/16W (1005)
R403	1-208-683-11	s	RESISTOR CHIP 1K 1/16W (1005)
R404	1-208-668-11	s	RES, METAL FILM CHIP 240(1005)
R405	1-208-643-11	s	RESISTOR CHIP 22 1/16W (1005)
R406	1-208-643-11	s	RESISTOR CHIP 22 1/16W (1005)
R407	1-208-643-11	s	RESISTOR CHIP 22 1/16W (1005)
R408	1-208-643-11	s	RESISTOR CHIP 22 1/16W (1005)
R409	1-208-643-11	s	RESISTOR CHIP 22 1/16W (1005)
R410	1-208-643-11	s	RESISTOR CHIP 22 1/16W (1005)
R411	1-218-941-81	s	C-RES,V 100-1/16W J
R412	1-218-941-81	s	C-RES,V 100-1/16W J
R413	1-218-965-11	s	RESISTOR, CHIP 10K 1/16W
R414	1-218-941-81	s	C-RES,V 100-1/16W J
R415	1-218-957-11	s	RESISTOR,CHIP 2.2K 1/16W(1608)
R416	1-218-941-81	s	C-RES,V 100-1/16W J
R417	1-218-941-81	s	C-RES,V 100-1/16W J
R418	1-218-957-11	s	RESISTOR,CHIP 2.2K 1/16W(1608)
R419	1-218-953-11	s	RESISTOR, CHIP 1K 1/16W
R421	1-208-643-11	s	RESISTOR CHIP 22 1/16W (1005)
R423	1-218-965-11	s	RESISTOR, CHIP 10K 1/16W
R424	1-218-941-81	s	C-RES,V 100-1/16W J
R431	1-218-965-11	s	RESISTOR, CHIP 10K 1/16W
R433	1-218-965-11	s	RESISTOR, CHIP 10K 1/16W
R435	1-219-570-11	s	RESISTOR,CHIP 10M 1/16W
R436	1-218-990-11	s	RESISTOR,CHIP 0 1/16W (1005)
R439	1-218-965-11	s	RESISTOR, CHIP 10K 1/16W
R442	1-218-990-11	s	RESISTOR,CHIP 0 1/16W (1005)
R444	1-218-990-11	s	RESISTOR,CHIP 0 1/16W (1005)
R446	1-218-990-11	s	RESISTOR,CHIP 0 1/16W (1005)
R447	1-218-965-11	s	RESISTOR, CHIP 10K 1/16W
R451	1-218-957-11	s	RESISTOR,CHIP 2.2K 1/16W(1608)
R452	1-218-990-11	s	RESISTOR,CHIP 0 1/16W (1005)
R453	1-208-643-11	s	RESISTOR CHIP 22 1/16W (1005)
R454	1-208-643-11	s	RESISTOR CHIP 22 1/16W (1005)
R455	1-208-643-11	s	RESISTOR CHIP 22 1/16W (1005)
R456	1-218-941-81	s	C-RES,V 100-1/16W J
R457	1-218-973-11	s	RESISTOR,CHIP 47K 1/16W (1005)
R458	1-216-815-11	s	RESISTOR,CHIP 330 1/10W 1608
R459	1-216-815-11	s	RESISTOR,CHIP 330 1/10W 1608
R460	1-216-817-11	s	RESISTOR,CHIP 470 1/10W 1608
R500	1-218-965-11	s	RESISTOR, CHIP 10K 1/16W
R501	1-218-937-11	s	RESISTOR, CHIP 47
R502	1-218-937-11	s	RESISTOR, CHIP 47
R503	1-218-965-11	s	RESISTOR, CHIP 10K 1/16W
R504	1-218-937-11	s	RESISTOR, CHIP 47
R505	1-218-937-11	s	RESISTOR, CHIP 47
R508	1-218-937-11	s	RESISTOR, CHIP 47
R509	1-218-937-11	s	RESISTOR, CHIP 47
R511	1-218-990-11	s	RESISTOR,CHIP 0 1/16W (1005)

## (C BOARD)

Ref. No. or Q'ty	Part No.	SP	Description
R513	1-218-990-11	s	RESISTOR,CHIP 0 1/16W (1005)
R514	1-218-941-81	s	C-RES,V 100-1/16W J
R515	1-218-937-11	s	RESISTOR, CHIP 47
R516	1-218-937-11	s	RESISTOR, CHIP 47
R517	1-218-937-11	s	RESISTOR, CHIP 47
R519	1-218-990-11	s	RESISTOR,CHIP 0 1/16W (1005)
R520	1-218-973-11	s	RESISTOR,CHIP 47K 1/16W (1005)
R521	1-218-941-81	s	C-RES,V 100-1/16W J
R522	1-218-961-11	s	RESISTOR, CHIP 4.7K 1/16W
R523	1-218-957-11	s	RESISTOR,CHIP 2.2K 1/16W(1608)
R524	1-218-965-11	s	RESISTOR, CHIP 10K 1/16W
R525	1-218-961-11	s	RESISTOR, CHIP 4.7K 1/16W
R526	1-218-990-11	s	RESISTOR,CHIP 0 1/16W (1005)
R527	1-218-961-11	s	RESISTOR, CHIP 4.7K 1/16W
R528	1-218-965-11	s	RESISTOR, CHIP 10K 1/16W
R529	1-218-973-11	s	RESISTOR,CHIP 47K 1/16W (1005)
R530	1-218-953-11	s	RESISTOR, CHIP 1K 1/16W
R533	1-218-961-11	s	RESISTOR, CHIP 4.7K 1/16W
R534	1-218-961-11	s	RESISTOR, CHIP 4.7K 1/16W
R535	1-218-957-11	s	RESISTOR,CHIP 2.2K 1/16W(1608)
R536	1-218-937-11	s	RESISTOR, CHIP 47
R537	1-208-635-11	s	RESISTOR CHIP 10 1/16W (1005)
R538	1-208-635-11	s	RESISTOR CHIP 10 1/16W (1005)
R539	1-208-635-11	s	RESISTOR CHIP 10 1/16W (1005)
R540	1-208-635-11	s	RESISTOR CHIP 10 1/16W (1005)
R541	1-218-937-11	s	RESISTOR, CHIP 47
R542	1-208-635-11	s	RESISTOR CHIP 10 1/16W (1005)
R543	1-208-635-11	s	RESISTOR CHIP 10 1/16W (1005)
R544	1-218-973-11	s	RESISTOR,CHIP 47K 1/16W (1005)
R545	1-218-973-11	s	RESISTOR,CHIP 47K 1/16W (1005)
R546	1-218-973-11	s	RESISTOR,CHIP 47K 1/16W (1005)
R547	1-218-973-11	s	RESISTOR,CHIP 47K 1/16W (1005)
R548	1-218-973-11	s	RESISTOR,CHIP 47K 1/16W (1005)
R549	1-218-973-11	s	RESISTOR,CHIP 47K 1/16W (1005)
R550	1-218-937-11	s	RESISTOR, CHIP 47
R551	1-218-937-11	s	RESISTOR, CHIP 47
R552	1-218-990-11	s	RESISTOR,CHIP 0 1/16W (1005)
R602	1-218-965-11	s	RESISTOR, CHIP 10K 1/16W
R604	1-218-965-11	s	RESISTOR, CHIP 10K 1/16W
R608	1-218-965-11	s	RESISTOR, CHIP 10K 1/16W
R609	1-218-965-11	s	RESISTOR, CHIP 10K 1/16W
R610	1-218-965-11	s	RESISTOR, CHIP 10K 1/16W
R611	1-218-965-11	s	RESISTOR, CHIP 10K 1/16W
R612	1-218-990-11	s	RESISTOR,CHIP 0 1/16W (1005)
R613	1-218-990-11	s	RESISTOR,CHIP 0 1/16W (1005)
R614	1-218-990-11	s	RESISTOR,CHIP 0 1/16W (1005)
R615	1-218-990-11	s	RESISTOR,CHIP 0 1/16W (1005)
R616	1-218-990-11	s	RESISTOR,CHIP 0 1/16W (1005)
R617	1-218-990-11	s	RESISTOR,CHIP 0 1/16W (1005)
R618	1-218-990-11	s	RESISTOR,CHIP 0 1/16W (1005)
R619	1-218-990-11	s	RESISTOR,CHIP 0 1/16W (1005)
R620	1-218-990-11	s	RESISTOR,CHIP 0 1/16W (1005)
R621	1-218-990-11	s	RESISTOR,CHIP 0 1/16W (1005)
R622	1-218-990-11	s	RESISTOR,CHIP 0 1/16W (1005)
R623	1-218-990-11	s	RESISTOR,CHIP 0 1/16W (1005)
R624	1-218-941-81	s	C-RES,V 100-1/16W J
R625	1-216-053-00	s	RESISTOR CHIP 1.5K 1/10W(2012)
R626	1-216-053-00	s	RESISTOR CHIP 1.5K 1/10W(2012)
R627	1-208-635-11	s	RESISTOR CHIP 10 1/16W (1005)

## (C BOARD)

Ref. No. or Q'ty	Part No.	SP	Description
R628	1-208-635-11	s	RESISTOR CHIP 10 1/16W (1005)
R629	1-218-990-11	s	RESISTOR,CHIP 0 1/16W (1005)
R630	1-218-937-11	s	RESISTOR, CHIP 47
R650	1-218-965-11	s	RESISTOR, CHIP 10K 1/16W
R651	1-218-961-11	s	RESISTOR, CHIP 4.7K 1/16W
R653	1-208-717-11	s	RESISTOR CHIP 27K 1/16W (1005)
R655	1-208-701-11	s	RESISTOR CHIP 5.6K 1/16W(1005)
R656	1-208-707-11	s	RESISTOR,CHIP 10K 1/16W (1005)
R658	1-219-606-11	s	RESISTOR,CHIP 100K 1/16W(1005)
R702	1-218-965-11	s	RESISTOR, CHIP 10K 1/16W
R703	1-218-965-11	s	RESISTOR, CHIP 10K 1/16W
R704	1-218-965-11	s	RESISTOR, CHIP 10K 1/16W
R705	1-218-965-11	s	RESISTOR, CHIP 10K 1/16W
R710	1-218-965-11	s	RESISTOR, CHIP 10K 1/16W
R711	1-218-965-11	s	RESISTOR, CHIP 10K 1/16W
R712	1-218-990-11	s	RESISTOR,CHIP 0 1/16W (1005)
R713	1-218-990-11	s	RESISTOR,CHIP 0 1/16W (1005)
R714	1-218-990-11	s	RESISTOR,CHIP 0 1/16W (1005)
R715	1-218-990-11	s	RESISTOR,CHIP 0 1/16W (1005)
R716	1-218-990-11	s	RESISTOR,CHIP 0 1/16W (1005)
R717	1-218-990-11	s	RESISTOR,CHIP 0 1/16W (1005)
R718	1-218-990-11	s	RESISTOR,CHIP 0 1/16W (1005)
R719	1-218-990-11	s	RESISTOR,CHIP 0 1/16W (1005)
R720	1-218-990-11	s	RESISTOR,CHIP 0 1/16W (1005)
R721	1-218-990-11	s	RESISTOR,CHIP 0 1/16W (1005)
R722	1-218-990-11	s	RESISTOR,CHIP 0 1/16W (1005)
R723	1-218-990-11	s	RESISTOR,CHIP 0 1/16W (1005)
R724	1-218-941-81	s	C-RES,V 100-1/16W J
R725	1-216-053-00	s	RESISTOR CHIP 1.5K 1/10W(2012)
R726	1-216-053-00	s	RESISTOR CHIP 1.5K 1/10W(2012)
R727	1-208-635-11	s	RESISTOR CHIP 10 1/16W (1005)
R728	1-208-635-11	s	RESISTOR CHIP 10 1/16W (1005)
R729	1-218-990-11	s	RESISTOR,CHIP 0 1/16W (1005)
R730	1-218-937-11	s	RESISTOR, CHIP 47
R802	1-218-965-11	s	RESISTOR, CHIP 10K 1/16W
R803	1-218-965-11	s	RESISTOR, CHIP 10K 1/16W
R804	1-218-965-11	s	RESISTOR, CHIP 10K 1/16W
R805	1-218-965-11	s	RESISTOR, CHIP 10K 1/16W
R806	1-218-965-11	s	RESISTOR, CHIP 10K 1/16W
R807	1-218-965-11	s	RESISTOR, CHIP 10K 1/16W
R810	1-218-965-11	s	RESISTOR, CHIP 10K 1/16W
R811	1-218-965-11	s	RESISTOR, CHIP 10K 1/16W
R812	1-218-990-11	s	RESISTOR,CHIP 0 1/16W (1005)
R813	1-218-990-11	s	RESISTOR,CHIP 0 1/16W (1005)
R814	1-218-990-11	s	RESISTOR,CHIP 0 1/16W (1005)
R815	1-218-990-11	s	RESISTOR,CHIP 0 1/16W (1005)
R816	1-218-990-11	s	RESISTOR,CHIP 0 1/16W (1005)
R817	1-218-990-11	s	RESISTOR,CHIP 0 1/16W (1005)
R818	1-218-990-11	s	RESISTOR,CHIP 0 1/16W (1005)
R819	1-218-990-11	s	RESISTOR,CHIP 0 1/16W (1005)
R820	1-218-990-11	s	RESISTOR,CHIP 0 1/16W (1005)
R821	1-218-990-11	s	RESISTOR,CHIP 0 1/16W (1005)
R822	1-218-990-11	s	RESISTOR,CHIP 0 1/16W (1005)
R823	1-218-990-11	s	RESISTOR,CHIP 0 1/16W (1005)
R824	1-218-941-81	s	C-RES,V 100-1/16W J
R825	1-216-053-00	s	RESISTOR CHIP 1.5K 1/10W(2012)
R826	1-216-053-00	s	RESISTOR CHIP 1.5K 1/10W(2012)
R827	1-208-635-11	s	RESISTOR CHIP 10 1/16W (1005)
R828	1-208-635-11	s	RESISTOR CHIP 10 1/16W (1005)

## (C BOARD)

Ref. No. or Q'ty	Part No.	SP	Description
R829	1-218-990-11	s	RESISTOR,CHIP 0 1/16W (1005)
R830	1-218-937-11	s	RESISTOR, CHIP 47
R900	1-218-941-81	s	C-RES,V 100-1/16W J
R901	1-218-941-81	s	C-RES,V 100-1/16W J
R902	1-218-941-81	s	C-RES,V 100-1/16W J
R905	1-218-941-81	s	C-RES,V 100-1/16W J
R906	1-218-941-81	s	C-RES,V 100-1/16W J
R907	1-208-701-11	s	RESISTOR CHIP 5.6K 1/16W(1005)
R908	1-208-691-11	s	RESISTOR CHIP 2.2K 1/16W(1005)
R909	1-208-695-11	s	RESISTOR CHIP 3.3K 1/16W(1005)
R910	1-218-971-11	s	RESISTOR,CHIP 33K 1/16W (1005)
R911	1-218-937-11	s	RESISTOR, CHIP 47
R912	1-218-937-11	s	RESISTOR, CHIP 47
R913	1-218-937-11	s	RESISTOR, CHIP 47
R914	1-218-937-11	s	RESISTOR, CHIP 47
R915	1-218-937-11	s	RESISTOR, CHIP 47
R916	1-218-937-11	s	RESISTOR, CHIP 47
R920	1-216-809-11	s	RESISTOR,CHIP 100 1/10W 1608
R921	1-216-809-11	s	RESISTOR,CHIP 100 1/10W 1608
R923	1-216-841-11	s	RESISTOR, CHIP 47K 1/10W 1608
R924	1-216-841-11	s	RESISTOR, CHIP 47K 1/10W 1608
R925	1-216-833-11	s	RESISTOR,CHIP 10K 1/10W (1608)
R926	1-216-845-11	s	RESISTOR,CHIP 100K 1/10W(1608)
R928	1-216-845-11	s	RESISTOR,CHIP 100K 1/10W(1608)
R932	1-218-897-11	s	RESISTOR,CHIP 120K 1/10W(1608)
R933	1-218-937-11	s	RESISTOR, CHIP 47
R934	1-218-937-11	s	RESISTOR, CHIP 47
R935	1-218-961-11	s	RESISTOR, CHIP 4.7K 1/16W
R936	1-218-961-11	s	RESISTOR, CHIP 4.7K 1/16W
R937	1-218-990-11	s	RESISTOR,CHIP 0 1/16W (1005)
R938	1-218-965-11	s	RESISTOR, CHIP 10K 1/16W
R939	1-218-965-11	s	RESISTOR, CHIP 10K 1/16W
RB200	1-234-372-11	s	RES, NETWORK 100X4 (1005)
RB201	1-234-377-21	s	RES, NETWORK 4.7KX4 (1005)
RB202	1-234-377-21	s	RES, NETWORK 4.7KX4 (1005)
RB203	1-234-378-11	s	RES, NETWORK 10KX4 (1005)
RB204	1-234-378-11	s	RES, NETWORK 10KX4 (1005)
RB205	1-234-375-21	s	RES, NETWORK 1KX4 (1005)
RB206	1-234-372-11	s	RES, NETWORK 100X4 (1005)
RB207	1-234-372-11	s	RES, NETWORK 100X4 (1005)
RB208	1-234-372-11	s	RES, NETWORK 100X4 (1005)
RB209	1-234-372-11	s	RES, NETWORK 100X4 (1005)
RB210	1-234-372-11	s	RES, NETWORK 100X4 (1005)
RB211	1-234-372-11	s	RES, NETWORK 100X4 (1005)
RB212	1-234-372-11	s	RES, NETWORK 100X4 (1005)
RB213	1-234-372-11	s	RES, NETWORK 100X4 (1005)
RB214	1-234-372-11	s	RES, NETWORK 100X4 (1005)
RB215	1-234-372-11	s	RES, NETWORK 100X4 (1005)
RB216	1-234-372-11	s	RES, NETWORK 100X4 (1005)
RB217	1-234-372-11	s	RES, NETWORK 100X4 (1005)
RB218	1-234-372-11	s	RES, NETWORK 100X4 (1005)
RB219	1-234-372-11	s	RES, NETWORK 100X4 (1005)
RB400	1-234-369-21	s	RES, NETWORK 10X4 (1005)
RB401	1-234-369-21	s	RES, NETWORK 10X4 (1005)
RB402	1-234-369-21	s	RES, NETWORK 10X4 (1005)
RB403	1-234-369-21	s	RES, NETWORK 10X4 (1005)
RB404	1-234-369-21	s	RES, NETWORK 10X4 (1005)
RB405	1-234-369-21	s	RES, NETWORK 10X4 (1005)

## (C BOARD)

Ref. No. or Q'ty	Part No.	SP	Description	
RB406	1-234-369-21	s	RES, NETWORK 10X4	(1005)
RB407	1-234-369-21	s	RES, NETWORK 10X4	(1005)
RB500	1-234-372-11	s	RES, NETWORK 100X4	(1005)
RB501	1-234-372-11	s	RES, NETWORK 100X4	(1005)
RB502	1-234-372-11	s	RES, NETWORK 100X4	(1005)
RB503	1-234-372-11	s	RES, NETWORK 100X4	(1005)
RB504	1-234-372-11	s	RES, NETWORK 100X4	(1005)
RB505	1-234-372-11	s	RES, NETWORK 100X4	(1005)
RB506	1-234-372-11	s	RES, NETWORK 100X4	(1005)
RB507	1-234-372-11	s	RES, NETWORK 100X4	(1005)
RB508	1-234-372-11	s	RES, NETWORK 100X4	(1005)
RB509	1-234-369-21	s	RES, NETWORK 10X4	(1005)
RB510	1-234-369-21	s	RES, NETWORK 10X4	(1005)
RB511	1-234-380-11	s	RESISTOE, NETWORK 47KX4	(1005)
RB512	1-234-380-11	s	RESISTOE, NETWORK 47KX4	(1005)
RB513	1-234-371-11	s	RES, NETWORK 47X4	(1005)
RB514	1-234-371-11	s	RES, NETWORK 47X4	(1005)
RB515	1-234-371-11	s	RES, NETWORK 47X4	(1005)
RB516	1-234-371-11	s	RES, NETWORK 47X4	(1005)
RB600	1-234-370-11	s	RES, NETWORK 22X4	(1005)
RB601	1-234-370-11	s	RES, NETWORK 22X4	(1005)
RB700	1-234-370-11	s	RES, NETWORK 22X4	(1005)
RB701	1-234-370-11	s	RES, NETWORK 22X4	(1005)
RB800	1-234-370-11	s	RES, NETWORK 22X4	(1005)
RB801	1-234-370-11	s	RES, NETWORK 22X4	(1005)
S500	1-771-337-21	s	SWITCH, SLIDE	
TH200	1-803-382-11	s	THERMISTOR (10K)	
TH201	1-803-382-11	s	THERMISTOR (10K)	
TP100	1-535-757-11	s	CHIP, CHECKER (CONNECTOR)	
TP101	1-535-757-11	s	CHIP, CHECKER (CONNECTOR)	
TP102	1-535-757-11	s	CHIP, CHECKER (CONNECTOR)	
TP103	1-535-757-11	s	CHIP, CHECKER (CONNECTOR)	
TP104	1-535-757-11	s	CHIP, CHECKER (CONNECTOR)	
TP200	1-535-757-11	s	CHIP, CHECKER (CONNECTOR)	
TP201	1-535-757-11	s	CHIP, CHECKER (CONNECTOR)	
TP400	1-535-757-11	s	CHIP, CHECKER (CONNECTOR)	
TP401	1-535-757-11	s	CHIP, CHECKER (CONNECTOR)	
TP500	1-535-757-11	s	CHIP, CHECKER (CONNECTOR)	
TP501	1-535-757-11	s	CHIP, CHECKER (CONNECTOR)	
TP502	1-535-757-11	s	CHIP, CHECKER (CONNECTOR)	
TP503	1-535-757-11	s	CHIP, CHECKER (CONNECTOR)	
TP504	1-535-757-11	s	CHIP, CHECKER (CONNECTOR)	
TP505	1-535-757-11	s	CHIP, CHECKER (CONNECTOR)	
TP506	1-535-757-11	s	CHIP, CHECKER (CONNECTOR)	
TP507	1-535-757-11	s	CHIP, CHECKER (CONNECTOR)	
TP508	1-535-757-11	s	CHIP, CHECKER (CONNECTOR)	
TP509	1-535-757-11	s	CHIP, CHECKER (CONNECTOR)	
TP510	1-535-757-11	s	CHIP, CHECKER (CONNECTOR)	
TP511	1-535-757-11	s	CHIP, CHECKER (CONNECTOR)	
TP512	1-535-757-11	s	CHIP, CHECKER (CONNECTOR)	
TP513	1-535-757-11	s	CHIP, CHECKER (CONNECTOR)	
TP514	1-535-757-11	s	CHIP, CHECKER (CONNECTOR)	
TP515	1-535-757-11	s	CHIP, CHECKER (CONNECTOR)	
TP600	1-535-757-11	s	CHIP, CHECKER (CONNECTOR)	
TP601	1-535-757-11	s	CHIP, CHECKER (CONNECTOR)	
TP602	1-535-757-11	s	CHIP, CHECKER (CONNECTOR)	
TP603	1-535-757-11	s	CHIP, CHECKER (CONNECTOR)	
TP604	1-535-757-11	s	CHIP, CHECKER (CONNECTOR)	

## (C BOARD)

Ref. No. or Q'ty	Part No.	SP	Description	
TP650	1-535-757-11	s	CHIP, CHECKER (CONNECTOR)	
TP651	1-535-757-11	s	CHIP, CHECKER (CONNECTOR)	
TP652	1-535-757-11	s	CHIP, CHECKER (CONNECTOR)	
TP653	1-535-757-11	s	CHIP, CHECKER (CONNECTOR)	
TP700	1-535-757-11	s	CHIP, CHECKER (CONNECTOR)	
TP701	1-535-757-11	s	CHIP, CHECKER (CONNECTOR)	
TP702	1-535-757-11	s	CHIP, CHECKER (CONNECTOR)	
TP703	1-535-757-11	s	CHIP, CHECKER (CONNECTOR)	
TP704	1-535-757-11	s	CHIP, CHECKER (CONNECTOR)	
TP800	1-535-757-11	s	CHIP, CHECKER (CONNECTOR)	
TP801	1-535-757-11	s	CHIP, CHECKER (CONNECTOR)	
TP802	1-535-757-11	s	CHIP, CHECKER (CONNECTOR)	
TP803	1-535-757-11	s	CHIP, CHECKER (CONNECTOR)	
TP804	1-535-757-11	s	CHIP, CHECKER (CONNECTOR)	
X200	1-795-650-21	s	VIBRATOR, CRYSTAL	
X400	1-795-650-21	s	VIBRATOR, CRYSTAL	
X401	1-795-650-21	s	VIBRATOR, CRYSTAL	

-----  
F BOARD  
-----

Ref. No. or Q'ty	Part No.	SP Description
1pc	A-1302-476-A	s MOUNTED CIRCUIT BOARD, F
C501	△ 1-113-900-11	s CAPACITOR,CERAMIC 470PF/250V
C502	△ 1-113-900-11	s CAPACITOR,CERAMIC 470PF/250V
C504	△ 1-165-529-11	s CAP, PETP FILM (ACROSS) 0.22MF
C505	△ 1-165-529-11	s CAP, PETP FILM (ACROSS) 0.22MF
C506	△ 1-165-531-11	s CAPACITOR, PETP FILM 1.00MF
C507	△ 1-165-530-11	s CAPACITOR,FILM(ACROSS)0.47MF
CN501	△ 1-815-470-11	s INLET, AC
CN502	△ 1-691-960-21	o PIN, CONNECTOR (PC BOARD) 3P
F501	△ 1-576-233-12	s FUSE (H.B.C.) 6.3A/250V
FH501	1-533-223-11	s CLIP,FUSE
FH502	1-533-223-11	s CLIP,FUSE
L501	△ 1-456-134-21	s COIL, LINE FILTER
L502	△ 1-456-134-21	s COIL, LINE FILTER
L503	△ 1-424-485-11	s FILTER,LINE
R501	△ 1-220-825-11	s RES, (SURGE RESISTANT) 330K
VDR501	△ 1-803-830-31	s VARISTOR (ERZV14D621)

-----  
G BOARD  
-----

Ref. No. or Q'ty	Part No.	SP Description
1pc	A-1302-475-A	s MOUNTED CIRCUIT BOARD, G
2pcs	7-682-648-09	s SCREW +PS 3X8(EP-FE/ZNBK/CM2)
C602	1-137-639-11	s CAPACITOR,PE FILM 0.47MF
C603	1-117-228-11	s CAPACITOR,FILM 2.2MF/450V
C604	1-162-927-11	s CAPACITOR,CERAMIC 100PF/50V CH
C605	1-107-826-11	s CAPACITOR,CHIP CERAMIC 0.1MF
C606	1-127-715-11	s CAPACITOR,CERAMIC 0.22MF B1608
C607	1-107-909-11	s CAPACITOR,ELECT 47MF/50V
C608	1-125-898-91	s C-CAP, 0.22-50 Z F
C609	△ 1-117-752-11	s CAPACITOR, ELECT 330MF/450V
C700	1-162-970-11	s CAPACITOR CERAMIC 0.01MF/25V B
C701	1-136-479-11	s CAPACITOR FILM 0.001MF/100V PP
C702	1-162-970-11	s CAPACITOR CERAMIC 0.01MF/25V B
C703	1-115-835-11	s CAPACITOR,ELECT 330MF/50V(105)
C704	1-109-994-11	s CAPACITOR,CHIP CERAMIC 2.2MF B
C705	1-127-692-11	s CAP, CHIP CERAMIC 10MF B 3216
C706	1-126-967-11	s CAPACITOR,ELECT 47MF/50V
C707	1-130-495-00	s CAPACITOR FILM 0.1MF/50V PETP
C708	1-135-834-11	s CAPACITOR, CERAMIC 2200000PF
C709	1-137-754-82	s CAP, METALIZED PP FILM 6800PF
C711	△ 1-113-900-11	s CAPACITOR,CERAMIC 470PF/250V
C712	1-107-826-11	s CAPACITOR,CHIP CERAMIC 0.1MF
C713	1-115-789-11	s CAPACITOR ELECT 1000MF/25V 105
C714	1-128-946-11	s CAP, ELECT 2200MF / 10V
C715	1-107-826-11	s CAPACITOR,CHIP CERAMIC 0.1MF
C716	1-115-790-11	s CAPACITOR ELECT 1500MF/25V 105
C717	1-125-891-11	s CAPACITOR CERAMIC 0.47MF/10V
C718	1-107-826-11	s CAPACITOR,CHIP CERAMIC 0.1MF
C719	1-127-820-11	s CAPACITOR, SQUARE CHIP 4.7MF
C720	1-107-826-11	s CAPACITOR,CHIP CERAMIC 0.1MF
C724	1-125-891-11	s CAPACITOR CERAMIC 0.47MF/10V
C729	1-107-826-11	s CAPACITOR,CHIP CERAMIC 0.1MF
C732	1-126-205-11	s CAPACITOR,ELECT 47M/6.3
C734	1-107-911-11	s CAPACITOR,ELECT 220MF/50V
C744	1-135-960-91	s CAP, CHIP CERAMIC 10MF B(3225)
C745	1-107-826-11	s CAPACITOR,CHIP CERAMIC 0.1MF
C746	1-131-992-11	s CAP, CERAMIC 100000PF F 1608
C747	1-115-713-91	s CAPACITOR, ELECT 1200MF
C748	1-126-206-11	s CAPACITOR, ELECT 100MF/6.3V
C749	1-107-826-11	s CAPACITOR,CHIP CERAMIC 0.1MF
C751	1-107-826-11	s CAPACITOR,CHIP CERAMIC 0.1MF
C850	1-107-826-11	s CAPACITOR,CHIP CERAMIC 0.1MF
CN600	△ 1-691-960-21	o PIN, CONNECTOR (PC BOARD) 3P
CN601	1-691-960-11	o PIN,CONNECTOR (PC BOARD) 3P
CN702	1-691-591-11	o PIN,CONNECTOR (8P)(SMD)(1.5MM)
CN703	1-766-376-11	s PIN, CONNECTOR (1.5MM)(SMD) 9P
CN705	1-766-382-11	s PIN, CONNECTOR (10P)(SMD)(1.5MM)
CN706	1-764-177-11	s PIN,CONNECTOR (7P)(SMD)(1.5MM)
D600	8-719-022-14	s DIODE UZM13B
D601	8-719-055-30	s DIODE D1FS4A-TA
D602	△ 8-719-066-75	s DIODE D6SB80
D603	8-719-055-30	s DIODE D1FS4A-TA
D604	8-719-304-63	s DIODE RM11C (RECTI)
D701	8-719-107-13	s DIODE RD18M-B1
D702	8-719-110-42	s DIODE RD15ES-B3
D703	8-719-055-30	s DIODE D1FS4A-TA
D704	8-719-110-42	s DIODE RD15ES-B3
D705	8-719-979-64	s DIODE UF4005PKG23



(G BOARD)

Ref. No. or Q'ty	Part No.	SP	Description
D706	8-719-118-18	s	DIODE RD39M-B
D707	8-719-057-85	s	DIODE D2FS4-TA
D708	8-719-510-09	s	DIODE D10SC6M (RECTI)
D712	8-719-510-09	s	DIODE D10SC6M (RECTI)
D713	8-719-106-23	s	DIODE RD7.5M-B2
D715	8-719-510-09	s	DIODE D10SC6M (RECTI)
D716	8-719-073-01	s	DIODE MA111-(K8).S0
D717	8-719-073-01	s	DIODE MA111-(K8).S0
D718	8-719-073-01	s	DIODE MA111-(K8).S0
D719	8-719-073-01	s	DIODE MA111-(K8).S0
D720	8-719-073-01	s	DIODE MA111-(K8).S0
D721	8-719-073-01	s	DIODE MA111-(K8).S0
D722	8-719-073-01	s	DIODE MA111-(K8).S0
D724	8-719-073-01	s	DIODE MA111-(K8).S0
D730	8-719-057-85	s	DIODE D2FS4-TA
D731	8-719-106-23	s	DIODE RD7.5M-B2
FB701	1-500-451-11	s	MICRO INDUCTOR (CHIP) 41P750S
IC600	8-749-015-27	s	IC MZ1540
IC701	8-759-388-23	s	IC TL431BCDR2
IC724	6-704-841-01	s	IC AIC1117A-50PEJTR
IC725	8-759-066-55	s	IC TA75W393FU
IC730	8-759-485-63	s	IC MAX1626ESA-TE2
IC731	6-705-810-01	s	IC MCZ3001DB
L601	△ 1-419-987-11	s	COIL, CHOKE 1290UH
L602	△ 1-456-173-11	s	COIL, CHOKE
L602	1-456-173-21	s	COIL, CHOKE 250UH
L703	1-406-972-11	s	COIL, CHOKE 15UH
L704	1-424-918-21	s	COIL, CHOKE (SMD) 10UH
PH700	△ 8-749-016-82	s	PHOTO COUPLER PC123GY2
PH701	△ 8-749-016-82	s	PHOTO COUPLER PC123GY2
PH702	△ 8-749-016-82	s	PHOTO COUPLER PC123GY2
Q600	8-729-230-27	s	TRANSISTOR 2SA1213Y-TE12L
Q700	△ 8-729-052-29	s	TRANSISTOR 2SK2876-01MR-F122
Q702	8-729-230-49	s	TRANSISTOR 2SC2712-YG
Q703	8-729-216-22	s	TRANSISTOR 2SA1162-G
Q704	8-729-230-49	s	TRANSISTOR 2SC2712-YG
Q705	8-729-230-49	s	TRANSISTOR 2SC2712-YG
Q707	8-729-048-69	s	TRANSISTOR 2SJ530S-TL
Q709	8-729-230-49	s	TRANSISTOR 2SC2712-YG
Q711	8-729-048-69	s	TRANSISTOR 2SJ530S-TL
Q712	△ 8-729-052-29	s	TRANSISTOR 2SK2876-01MR-F122
Q713	8-729-048-69	s	TRANSISTOR 2SJ530S-TL
Q717	8-729-230-27	s	TRANSISTOR 2SA1213Y-TE12L
Q718	8-729-047-32	s	TRANSISTOR SI4425DY-T1
Q720	8-729-230-49	s	TRANSISTOR 2SC2712-YG
R600	△ 1-219-363-11	s	RESISTOR, CEMENT 5.6/5W (FUSE)
R601	1-218-861-11	s	RESISTOR,CHIP 3.9K 1/10W(1608)
R602	1-220-269-11	s	RESISTOR, CHIP 330 1/2W (4532)
R603	1-218-863-11	s	RESISTOR,CHIP 4.7K 1/10W(1608)
R604	1-220-269-11	s	RESISTOR, CHIP 330 1/2W (4532)
R606	1-216-833-11	s	RESISTOR,CHIP 10K 1/10W (1608)
R607	1-219-738-11	s	RES, 0.08 (RESISTOR, METAL)
R700	1-249-389-11	s	RES,CARBON 4.7 1/4W
R701	1-216-809-11	s	RESISTOR,CHIP 100 1/10W 1608
R703	1-218-873-11	s	RESISTOR,CHIP 12K 1/10W (1608)
R704	1-218-843-11	s	RESISTOR,CHIP 680 1/10W (1608)

(G BOARD)

Ref. No. or Q'ty	Part No.	SP	Description
R705	1-216-836-11	s	RESISTOR, CHIP 18K 1/10W 1608
R706	1-218-877-11	s	RESISTOR,CHIP 18K 1/10W (1608)
R707	1-220-338-11	s	RESISTOR,CHIP 330K 1/2W (4532)
R708	1-220-338-11	s	RESISTOR,CHIP 330K 1/2W (4532)
R709	1-220-338-11	s	RESISTOR,CHIP 330K 1/2W (4532)
R710	1-216-797-11	s	RESISTOR,CHIP 10 1/10W 1608
R711	1-216-797-11	s	RESISTOR,CHIP 10 1/10W 1608
R712	1-249-417-11	s	RESISTOR,CARBON 1K 1/4W(SMALL)
R713	1-216-815-11	s	RESISTOR,CHIP 330 1/10W 1608
R714	1-216-833-11	s	RESISTOR,CHIP 10K 1/10W (1608)
R715	1-216-833-11	s	RESISTOR,CHIP 10K 1/10W (1608)
R717	1-216-833-11	s	RESISTOR,CHIP 10K 1/10W (1608)
R718	1-202-933-61	s	RESISTOR, FUSE 0.1 1/2W
R719	1-220-993-91	s	RESISTOR,CHIP 0.68 5025
R722	1-216-845-11	s	RESISTOR,CHIP 100K 1/10W(1608)
R723	1-216-833-11	s	RESISTOR,CHIP 10K 1/10W (1608)
R724	1-249-393-11	s	RES,CARBON 10 1/4W
R725	1-216-821-11	s	RESISTOR,CHIP 1.0K 1/10W(1608)
R726	1-216-821-11	s	RESISTOR,CHIP 1.0K 1/10W(1608)
R728	1-216-834-11	s	RESISTOR,CHIP 12K 1/16W 1608
R729	1-216-817-11	s	RESISTOR,CHIP 470 1/10W 1608
R730	1-216-827-11	s	RESISTOR, CHIP 3.3K 1/10W 1608
R731	1-216-833-11	s	RESISTOR,CHIP 10K 1/10W (1608)
R732	1-216-833-11	s	RESISTOR,CHIP 10K 1/10W (1608)
R733	1-218-859-11	s	RESISTOR,CHIP 3.3K 1/10W(1608)
R734	1-216-841-11	s	RESISTOR, CHIP 47K 1/10W 1608
R735	1-218-857-11	s	RESISTOR,CHIP 2.7K 1/10W(1608)
R736	1-218-861-11	s	RESISTOR,CHIP 3.9K 1/10W(1608)
R737	1-218-887-11	s	RESISTOR,CHIP 47K 1/10W (1608)
R738	1-218-855-11	s	RESISTOR,CHIP 2.2K 1/10W(1608)
R739	1-216-841-11	s	RESISTOR, CHIP 47K 1/10W 1608
R740	1-216-827-11	s	RESISTOR, CHIP 3.3K 1/10W 1608
R741	1-216-845-11	s	RESISTOR,CHIP 100K 1/10W(1608)
R742	1-216-827-11	s	RESISTOR, CHIP 3.3K 1/10W 1608
R743	1-216-833-11	s	RESISTOR,CHIP 10K 1/10W (1608)
R744	1-216-827-11	s	RESISTOR, CHIP 3.3K 1/10W 1608
R745	1-216-845-11	s	RESISTOR,CHIP 100K 1/10W(1608)
R746	1-216-827-11	s	RESISTOR, CHIP 3.3K 1/10W 1608
R747	1-216-841-11	s	RESISTOR, CHIP 47K 1/10W 1608
R748	1-216-839-11	s	RESISTOR,CHIP 33K 1/10W 1608
R749	1-216-825-11	s	RESISTOR,CHIP 2.2K 1/10W 1608
R750	1-216-833-11	s	RESISTOR,CHIP 10K 1/10W (1608)
R751	1-216-837-11	s	RESISTOR,CHIP 22K 1/16W 1608
R753	1-216-833-11	s	RESISTOR,CHIP 10K 1/10W (1608)
R754	1-216-833-11	s	RESISTOR,CHIP 10K 1/10W (1608)
R755	1-216-817-11	s	RESISTOR,CHIP 470 1/10W 1608
R756	1-216-817-11	s	RESISTOR,CHIP 470 1/10W 1608
R758	1-216-833-11	s	RESISTOR,CHIP 10K 1/10W (1608)
R759	1-220-993-91	s	RESISTOR,CHIP 0.68 5025
R760	1-216-821-11	s	RESISTOR,CHIP 1.0K 1/10W(1608)
R761	1-216-833-11	s	RESISTOR,CHIP 10K 1/10W (1608)
R770	1-249-389-11	s	RES,CARBON 4.7 1/4W
R771	1-216-825-11	s	RESISTOR,CHIP 2.2K 1/10W 1608
R772	1-216-833-11	s	RESISTOR,CHIP 10K 1/10W (1608)
R774	1-243-631-11	s	FIXED RESISTOR 30M
R775	1-216-841-11	s	RESISTOR, CHIP 47K 1/10W 1608
R776	1-216-841-11	s	RESISTOR, CHIP 47K 1/10W 1608
R777	1-216-841-11	s	RESISTOR, CHIP 47K 1/10W 1608
R778	1-216-834-11	s	RESISTOR,CHIP 12K 1/16W 1608

(G BOARD)

Ref. No. or Q'ty	Part No.	SP Description
R780	1-216-829-11	s RESISTOR,CHIP 4.7K 1/10W(1608)
R799	1-249-393-11	s RES,CARBON 10 1/4W
RY600	△ 1-755-395-11	s RELAY (AC POWER)
T700	△ 1-437-301-11	s TRANSFORMER, CONVERTER (PIT)

HA BOARD

Ref. No. or Q'ty	Part No.	SP Description
lpc	A-1405-986-A	s MOUNTED CIRCUIT BOARD, HA
CN63	1-770-629-21	s PIN, CONNECTOR 12P
CN64	1-770-625-21	s PIN, CONNECTOR 8P
R64	1-218-963-11	s RESISTOR,CHIP 6.8K 1/16W
R66	1-218-960-11	s RESISTOR, CHIP 3.9K 1/16W
R68	1-218-966-11	s RESISTOR, CHIP 12K
R69	1-218-958-11	s RESISTOR,CHIP 2.7K 1/16W(1005)
R71	1-218-960-11	s RESISTOR, CHIP 3.9K 1/16W
R72	1-218-955-11	s RESISTOR, CHIP 1.5K
R73	1-218-957-11	s RESISTOR,CHIP 2.2K 1/16W(1608)
R74	1-218-955-11	s RESISTOR, CHIP 1.5K
R75	1-218-967-11	s RESISTOR,CHIP 15K 1/16W (1608)
R76	1-218-956-11	s RESISTOR, CHIP 1.8K
R77	1-218-956-11	s RESISTOR, CHIP 1.8K
S62	1-771-105-11	s SWITCH, TACTILE
S63	1-771-105-11	s SWITCH, TACTILE
S64	1-771-105-11	s SWITCH, TACTILE
S66	1-771-105-11	s SWITCH, TACTILE
S67	1-771-105-11	s SWITCH, TACTILE
S68	1-771-105-11	s SWITCH, TACTILE
S69	1-771-105-11	s SWITCH, TACTILE
S70	1-771-105-11	s SWITCH, TACTILE

HB BOARD

Ref. No. or Q'ty	Part No.	SP Description
lpc	A-1405-987-A	s MOUNTED CIRCUIT BOARD, HB
C61	1-125-777-11	s CAPACITOR CERAMIC 0.1MF/10V
CN61	1-770-629-21	s PIN, CONNECTOR 12P
CN62	1-770-629-21	s PIN, CONNECTOR 12P
D61	8-719-914-44	s DIODE DAP202K (DUAL)
D62	8-719-914-43	s DIODE DAN202K
D63	8-719-914-44	s DIODE DAP202K (DUAL)
D64	8-719-914-43	s DIODE DAN202K
R61	1-218-970-11	s RESISTOR CHIP 27K 1/16W (1005)
R62	1-218-966-11	s RESISTOR, CHIP 12K
R63	1-218-963-11	s RESISTOR,CHIP 6.8K 1/16W
R65	1-218-960-11	s RESISTOR, CHIP 3.9K 1/16W
R67	1-218-958-11	s RESISTOR,CHIP 2.7K 1/16W(1005)
R70	1-218-957-11	s RESISTOR,CHIP 2.2K 1/16W(1608)
R86	1-218-959-11	s RESISTOR, CHIP 3.3K
S61	1-786-409-12	s SWITCH, TACTILE
S65	1-771-105-11	s SWITCH, TACTILE

-----  
 HC BOARD  
 -----

Ref. No. or Q'ty	Part No.	SP	Description
1pc	A-1405-994-A	s	MOUNTED CIRCUIT BOARD, HC
C81	1-125-777-11	s	CAPACITOR CERAMIC 0.1MF/10V
CN81	1-770-625-21	s	PIN, CONNECTOR 8P
D81	8-719-045-61	s	DIODE SEC1901C
D82	8-719-045-61	s	DIODE SEC1901C
D83	8-719-045-51	s	DIODE SEC2422C
D84	8-719-045-53	s	DIODE SEC1801C
D85	8-719-914-44	s	DIODE DAP202K (DUAL)
D86	8-719-914-43	s	DIODE DAN202K
D87	8-719-914-44	s	DIODE DAP202K (DUAL)
D88	8-719-914-43	s	DIODE DAN202K
D89	8-719-914-44	s	DIODE DAP202K (DUAL)
D90	8-719-914-43	s	DIODE DAN202K
Q81	8-729-028-91	s	TRANSISTOR DTA144EUA-T106
Q82	8-729-028-91	s	TRANSISTOR DTA144EUA-T106
Q83	8-729-040-87	s	TRANSISTOR 2SJ463A-T1
Q84	8-729-028-91	s	TRANSISTOR DTA144EUA-T106
Q85	8-729-028-91	s	TRANSISTOR DTA144EUA-T106
R81	1-218-941-81	s	C-RES,V 100-1/16W J
R82	1-218-941-81	s	C-RES,V 100-1/16W J
R83	1-218-941-81	s	C-RES,V 100-1/16W J
R84	1-218-941-81	s	C-RES,V 100-1/16W J
R85	1-218-941-81	s	C-RES,V 100-1/16W J

-----  
 L BOARD  
 -----

Ref. No. or Q'ty	Part No.	SP	Description
1pc	A-1405-996-A	s	MOUNTED CIRCUIT BOARD, L
C31	1-107-820-11	s	CAPACITOR,CHIP CERAMIC 0.1MF F
CN31	1-784-650-21	s	CONNECTOR 2P
D31	6-500-318-01	s	DIODE NSCW100
R31	1-218-941-81	s	C-RES,V 100-1/16W J

-----  
 MS BOARD  
 -----

Ref. No. or Q'ty	Part No.	SP	Description
1pc	A-1302-654-A	s	MOUNTED CIRCUIT BOARD, MS
C1007	1-119-667-11	s	CAPACITOR CERAMIC 22MF/10V(F)
C1008	1-107-820-11	s	CAPACITOR,CHIP CERAMIC 0.1MF F
C1010	1-119-667-11	s	CAPACITOR CERAMIC 22MF/10V(F)
C1011	1-107-820-11	s	CAPACITOR,CHIP CERAMIC 0.1MF F
C1012	1-107-820-11	s	CAPACITOR,CHIP CERAMIC 0.1MF F
C1013	1-107-820-11	s	CAPACITOR,CHIP CERAMIC 0.1MF F
C1014	1-115-467-11	s	CAPACITOR CERAMIC 0.22MF/10V B
C1015	1-164-935-11	s	CAPACITOR,CHIP CERAMIC 470PF
C1016	1-119-667-11	s	CAPACITOR CERAMIC 22MF/10V(F)
C1017	1-107-820-11	s	CAPACITOR,CHIP CERAMIC 0.1MF F
C1018	1-107-820-11	s	CAPACITOR,CHIP CERAMIC 0.1MF F
C1019	1-107-820-11	s	CAPACITOR,CHIP CERAMIC 0.1MF F
C1020	1-107-820-11	s	CAPACITOR,CHIP CERAMIC 0.1MF F
C1021	1-107-820-11	s	CAPACITOR,CHIP CERAMIC 0.1MF F
C1022	1-107-820-11	s	CAPACITOR,CHIP CERAMIC 0.1MF F
C1023	1-107-820-11	s	CAPACITOR,CHIP CERAMIC 0.1MF F
C1024	1-107-820-11	s	CAPACITOR,CHIP CERAMIC 0.1MF F
C1025	1-107-820-11	s	CAPACITOR,CHIP CERAMIC 0.1MF F
C1027	1-107-820-11	s	CAPACITOR,CHIP CERAMIC 0.1MF F
C1028	1-164-505-11	s	CAPACITOR,CHIP CERAMIC 2.2MF
C1029	1-117-370-11	s	CAPACITOR CERAMIC 10MF (3216)
C1030	1-117-370-11	s	CAPACITOR CERAMIC 10MF (3216)
C1031	1-117-720-11	s	CAPACITOR, CERAMIC 4.7MF/10V F
C1032	1-117-720-11	s	CAPACITOR, CERAMIC 4.7MF/10V F
C1037	1-107-820-11	s	CAPACITOR,CHIP CERAMIC 0.1MF F
C1039	1-107-820-11	s	CAPACITOR,CHIP CERAMIC 0.1MF F
C1040	1-107-820-11	s	CAPACITOR,CHIP CERAMIC 0.1MF F
C1041	1-107-820-11	s	CAPACITOR,CHIP CERAMIC 0.1MF F
C1042	1-107-820-11	s	CAPACITOR,CHIP CERAMIC 0.1MF F
C1043	1-107-820-11	s	CAPACITOR,CHIP CERAMIC 0.1MF F
C1044	1-164-943-11	s	CAPACITOR,CHIP CERAMIC 0.01MF
C1045	1-164-943-11	s	CAPACITOR,CHIP CERAMIC 0.01MF
C1302	1-107-820-11	s	CAPACITOR,CHIP CERAMIC 0.1MF F
C1304	1-107-820-11	s	CAPACITOR,CHIP CERAMIC 0.1MF F
C1305	1-119-667-11	s	CAPACITOR CERAMIC 22MF/10V(F)
C1306	1-107-820-11	s	CAPACITOR,CHIP CERAMIC 0.1MF F
C2001	1-107-820-11	s	CAPACITOR,CHIP CERAMIC 0.1MF F
C2002	1-119-667-11	s	CAPACITOR CERAMIC 22MF/10V(F)
C2003	1-107-820-11	s	CAPACITOR,CHIP CERAMIC 0.1MF F
C2004	1-119-667-11	s	CAPACITOR CERAMIC 22MF/10V(F)
C2005	1-107-820-11	s	CAPACITOR,CHIP CERAMIC 0.1MF F
C2006	1-119-667-11	s	CAPACITOR CERAMIC 22MF/10V(F)
C2007	1-107-820-11	s	CAPACITOR,CHIP CERAMIC 0.1MF F
C2008	1-107-820-11	s	CAPACITOR,CHIP CERAMIC 0.1MF F
C2009	1-107-820-11	s	CAPACITOR,CHIP CERAMIC 0.1MF F
C2010	1-107-820-11	s	CAPACITOR,CHIP CERAMIC 0.1MF F
C2011	1-107-820-11	s	CAPACITOR,CHIP CERAMIC 0.1MF F
C2012	1-107-820-11	s	CAPACITOR,CHIP CERAMIC 0.1MF F
C2013	1-107-820-11	s	CAPACITOR,CHIP CERAMIC 0.1MF F
C2014	1-107-820-11	s	CAPACITOR,CHIP CERAMIC 0.1MF F
C2015	1-107-820-11	s	CAPACITOR,CHIP CERAMIC 0.1MF F
C2016	1-107-820-11	s	CAPACITOR,CHIP CERAMIC 0.1MF F
C2017	1-107-820-11	s	CAPACITOR,CHIP CERAMIC 0.1MF F
C2018	1-107-820-11	s	CAPACITOR,CHIP CERAMIC 0.1MF F
C2019	1-107-820-11	s	CAPACITOR,CHIP CERAMIC 0.1MF F
C2020	1-107-820-11	s	CAPACITOR,CHIP CERAMIC 0.1MF F
C2021	1-107-820-11	s	CAPACITOR,CHIP CERAMIC 0.1MF F

## (MS BOARD)

Ref. No. or Q'ty	Part No.	SP	Description
C2022	1-107-820-11	s	CAPACITOR,CHIP CERAMIC 0.1MF F
C2023	1-107-820-11	s	CAPACITOR,CHIP CERAMIC 0.1MF F
C2024	1-107-820-11	s	CAPACITOR,CHIP CERAMIC 0.1MF F
C2025	1-107-820-11	s	CAPACITOR,CHIP CERAMIC 0.1MF F
C2026	1-107-820-11	s	CAPACITOR,CHIP CERAMIC 0.1MF F
C2027	1-107-820-11	s	CAPACITOR,CHIP CERAMIC 0.1MF F
C2028	1-107-820-11	s	CAPACITOR,CHIP CERAMIC 0.1MF F
C2029	1-107-820-11	s	CAPACITOR,CHIP CERAMIC 0.1MF F
C2030	1-107-820-11	s	CAPACITOR,CHIP CERAMIC 0.1MF F
C2031	1-107-820-11	s	CAPACITOR,CHIP CERAMIC 0.1MF F
C3001	1-119-667-11	s	CAPACITOR CERAMIC 22MF/10V(F)
C3002	1-107-820-11	s	CAPACITOR,CHIP CERAMIC 0.1MF F
C3003	1-107-820-11	s	CAPACITOR,CHIP CERAMIC 0.1MF F
C3004	1-107-820-11	s	CAPACITOR,CHIP CERAMIC 0.1MF F
C3005	1-107-820-11	s	CAPACITOR,CHIP CERAMIC 0.1MF F
C3006	1-107-820-11	s	CAPACITOR,CHIP CERAMIC 0.1MF F
C3007	1-107-820-11	s	CAPACITOR,CHIP CERAMIC 0.1MF F
C3008	1-107-820-11	s	CAPACITOR,CHIP CERAMIC 0.1MF F
C3009	1-119-667-11	s	CAPACITOR CERAMIC 22MF/10V(F)
C3010	1-107-820-11	s	CAPACITOR,CHIP CERAMIC 0.1MF F
C3011	1-107-820-11	s	CAPACITOR,CHIP CERAMIC 0.1MF F
C3012	1-107-820-11	s	CAPACITOR,CHIP CERAMIC 0.1MF F
C3013	1-107-820-11	s	CAPACITOR,CHIP CERAMIC 0.1MF F
C3014	1-107-820-11	s	CAPACITOR,CHIP CERAMIC 0.1MF F
C3015	1-107-820-11	s	CAPACITOR,CHIP CERAMIC 0.1MF F
C3016	1-107-820-11	s	CAPACITOR,CHIP CERAMIC 0.1MF F
C3017	1-119-667-11	s	CAPACITOR CERAMIC 22MF/10V(F)
C3018	1-107-820-11	s	CAPACITOR,CHIP CERAMIC 0.1MF F
C3019	1-107-820-11	s	CAPACITOR,CHIP CERAMIC 0.1MF F
C3020	1-107-820-11	s	CAPACITOR,CHIP CERAMIC 0.1MF F
C3021	1-107-820-11	s	CAPACITOR,CHIP CERAMIC 0.1MF F
C3022	1-119-667-11	s	CAPACITOR CERAMIC 22MF/10V(F)
C3023	1-107-820-11	s	CAPACITOR,CHIP CERAMIC 0.1MF F
C3024	1-107-820-11	s	CAPACITOR,CHIP CERAMIC 0.1MF F
CN1001	1-785-613-11	o	CONNECTOR, FFC/FPC 50P
CN1304	1-815-368-13	s	CONNECTOR, CARD (MEMORY STICK)
CN2001	1-770-627-21	s	PIN, CONNECTOR 10P
D1001	8-719-045-61	s	DIODE SEC1901C
D1301	8-719-045-61	s	DIODE SEC1901C
D1302	8-719-059-53	s	DIODE MA3J14700LSO
D1303	8-719-059-53	s	DIODE MA3J14700LSO
D1304	8-719-059-53	s	DIODE MA3J14700LSO
D1305	8-719-059-53	s	DIODE MA3J14700LSO
FB1001	1-400-150-11	s	FERRITE, EMI (SMD)
FB1003	1-414-921-11	s	INDUCTOR, FERRITE BEAD
FB1004	1-414-921-11	s	INDUCTOR, FERRITE BEAD
FB1005	1-414-921-11	s	INDUCTOR, FERRITE BEAD
FB1006	1-414-921-11	s	INDUCTOR, FERRITE BEAD
FB1007	1-414-921-11	s	INDUCTOR, FERRITE BEAD
FB1008	1-414-921-11	s	INDUCTOR, FERRITE BEAD
FB1009	1-414-921-11	s	INDUCTOR, FERRITE BEAD
FB1013	1-414-921-11	s	INDUCTOR, FERRITE BEAD
FB1014	1-414-921-11	s	INDUCTOR, FERRITE BEAD
FB1015	1-414-921-11	s	INDUCTOR, FERRITE BEAD
FB1016	1-414-921-11	s	INDUCTOR, FERRITE BEAD
FB1017	1-414-921-11	s	INDUCTOR, FERRITE BEAD
FB2001	1-414-921-11	s	INDUCTOR, FERRITE BEAD
FB2002	1-469-670-11	o	FERRITE, EMI (SMD)

## (MS BOARD)

Ref. No. or Q'ty	Part No.	SP	Description
FB2003	1-414-921-11	s	INDUCTOR, FERRITE BEAD
FB3001	1-414-921-11	s	INDUCTOR, FERRITE BEAD
FB3002	1-414-921-11	s	INDUCTOR, FERRITE BEAD
FB3003	1-414-921-11	s	INDUCTOR, FERRITE BEAD
IC1002	6-700-953-01	s	IC LM1117MPX-1.8
IC1004	8-759-331-27	s	IC MM1096AFF
IC1005	6-702-607-01	s	IC MB93491
IC1006	8-759-661-55	s	IC ST24FC21M6TR
IC1007	8-759-665-50	s	IC AK4352VT-E2
IC1009	8-759-549-14	s	IC SN74LV244APWR
IC1012	8-759-082-60	s	IC TC7S66FU
IC1013	8-759-082-60	s	IC TC7S66FU
IC1014	8-759-575-16	s	IC LMC7101BIM5X
IC1015	8-759-575-16	s	IC LMC7101BIM5X
IC3001	6-702-511-11	s	IC MT48LC8M16A2TG-75-Y95WT
IC3002	6-702-511-11	s	IC MT48LC8M16A2TG-75-Y95WT
IC3003	6-803-781-01	s	IC MBM29LV160BE-90TN-57MS
IC3004	6-702-812-11	s	IC CY27027ZZCT
L1001	1-414-770-91	s	INDUCTOR 4.7UH
L3001	1-469-058-11	s	INDUCTOR 22UH
Q1001	8-729-013-28	s	TRANSISTOR HN1B01FU-TE85R
Q1002	8-729-026-53	s	TRANSISTOR 2SA1576A-T106-QR
Q1004	8-729-029-14	s	TRANSISTOR DTC144EUA-T106
Q1007	8-729-029-14	s	TRANSISTOR DTC144EUA-T106
Q1301	8-729-029-14	s	TRANSISTOR DTC144EUA-T106
Q1302	8-729-026-53	s	TRANSISTOR 2SA1576A-T106-QR
Q1303	8-729-026-53	s	TRANSISTOR 2SA1576A-T106-QR
Q2001	8-729-013-28	s	TRANSISTOR HN1B01FU-TE85R
R1005	1-218-961-11	s	RESISTOR, CHIP 4.7K 1/16W
R1006	1-218-961-11	s	RESISTOR, CHIP 4.7K 1/16W
R1007	1-218-965-11	s	RESISTOR, CHIP 10K 1/16W
R1008	1-218-989-11	s	RESISTOR,CHIP 1M 1/16W (1005)
R1009	1-208-643-11	s	RESISTOR CHIP 22 1/16W (1005)
R1010	1-218-965-11	s	RESISTOR, CHIP 10K 1/16W
R1011	1-218-965-11	s	RESISTOR, CHIP 10K 1/16W
R1012	1-218-990-11	s	RESISTOR,CHIP 0 1/16W (1005)
R1013	1-218-990-11	s	RESISTOR,CHIP 0 1/16W (1005)
R1014	1-218-941-81	s	C-RES,V 100-1/16W J
R1015	1-218-965-11	s	RESISTOR, CHIP 10K 1/16W
R1016	1-218-945-11	s	RESISTOR,CHIP 220 1/16W(1005)
R1017	1-218-961-11	s	RESISTOR, CHIP 4.7K 1/16W
R1018	1-218-961-11	s	RESISTOR, CHIP 4.7K 1/16W
R1019	1-218-965-11	s	RESISTOR, CHIP 10K 1/16W
R1020	1-208-643-11	s	RESISTOR CHIP 22 1/16W (1005)
R1021	1-208-643-11	s	RESISTOR CHIP 22 1/16W (1005)
R1023	1-218-965-11	s	RESISTOR, CHIP 10K 1/16W
R1031	1-218-965-11	s	RESISTOR, CHIP 10K 1/16W
R1032	1-218-965-11	s	RESISTOR, CHIP 10K 1/16W
R1033	1-219-606-11	s	RESISTOR,CHIP 100K 1/16W(1005)
R1034	1-219-606-11	s	RESISTOR,CHIP 100K 1/16W(1005)
R1035	1-218-977-11	s	RESISTOR,CHIP 100K 1/16W(1005)
R1036	1-218-977-11	s	RESISTOR,CHIP 100K 1/16W(1005)
R1041	1-208-643-11	s	RESISTOR CHIP 22 1/16W (1005)
R1045	1-208-643-11	s	RESISTOR CHIP 22 1/16W (1005)
R1047	1-218-965-11	s	RESISTOR, CHIP 10K 1/16W
R1048	1-218-965-11	s	RESISTOR, CHIP 10K 1/16W
R1049	1-218-965-11	s	RESISTOR, CHIP 10K 1/16W
R1056	1-208-643-11	s	RESISTOR CHIP 22 1/16W (1005)

## (MS BOARD)

Ref. No. or Q'ty	Part No.	SP	Description
R1062	1-208-643-11	s	RESISTOR CHIP 22 1/16W (1005)
R1064	1-208-643-11	s	RESISTOR CHIP 22 1/16W (1005)
R1065	1-218-941-81	s	C-RES,V 100-1/16W J
R1067	1-218-965-11	s	RESISTOR, CHIP 10K 1/16W
R1068	1-218-965-11	s	RESISTOR, CHIP 10K 1/16W
R1070	1-208-643-11	s	RESISTOR CHIP 22 1/16W (1005)
R1071	1-218-965-11	s	RESISTOR, CHIP 10K 1/16W
R1075	1-218-965-11	s	RESISTOR, CHIP 10K 1/16W
R1076	1-218-961-11	s	RESISTOR, CHIP 4.7K 1/16W
R1081	1-219-606-11	s	RESISTOR,CHIP 100K 1/16W(1005)
R1082	1-219-606-11	s	RESISTOR,CHIP 100K 1/16W(1005)
R1083	1-218-953-11	s	RESISTOR, CHIP 1K 1/16W
R1084	1-218-953-11	s	RESISTOR, CHIP 1K 1/16W
R1085	1-218-965-11	s	RESISTOR, CHIP 10K 1/16W
R1086	1-218-965-11	s	RESISTOR, CHIP 10K 1/16W
R1087	1-218-941-81	s	C-RES,V 100-1/16W J
R1088	1-218-941-81	s	C-RES,V 100-1/16W J
R1090	1-218-953-11	s	RESISTOR, CHIP 1K 1/16W
R1201	1-208-643-11	s	RESISTOR CHIP 22 1/16W (1005)
R1301	1-218-965-11	s	RESISTOR, CHIP 10K 1/16W
R1302	1-218-937-11	s	RESISTOR, CHIP 47
R1303	1-218-941-81	s	C-RES,V 100-1/16W J
R1305	1-218-977-11	s	RESISTOR,CHIP 100K 1/16W(1005)
R1306	1-218-953-11	s	RESISTOR, CHIP 1K 1/16W
R1311	1-218-957-11	s	RESISTOR,CHIP 2.2K 1/16W(1608)
R2001	1-218-990-11	s	RESISTOR,CHIP 0 1/16W (1005)
R2002	1-218-965-11	s	RESISTOR, CHIP 10K 1/16W
R2003	1-218-965-11	s	RESISTOR, CHIP 10K 1/16W
R2004	1-218-990-11	s	RESISTOR,CHIP 0 1/16W (1005)
R2005	1-218-990-11	s	RESISTOR,CHIP 0 1/16W (1005)
R2006	1-218-990-11	s	RESISTOR,CHIP 0 1/16W (1005)
R2007	1-218-990-11	s	RESISTOR,CHIP 0 1/16W (1005)
R2008	1-218-965-11	s	RESISTOR, CHIP 10K 1/16W
R2009	1-218-965-11	s	RESISTOR, CHIP 10K 1/16W
R2010	1-218-965-11	s	RESISTOR, CHIP 10K 1/16W
R2011	1-218-965-11	s	RESISTOR, CHIP 10K 1/16W
R2012	1-208-643-11	s	RESISTOR CHIP 22 1/16W (1005)
R2013	1-218-937-11	s	RESISTOR, CHIP 47
R2014	1-208-643-11	s	RESISTOR CHIP 22 1/16W (1005)
R2015	1-218-965-11	s	RESISTOR, CHIP 10K 1/16W
R2016	1-218-961-11	s	RESISTOR, CHIP 4.7K 1/16W
R2017	1-218-941-81	s	C-RES,V 100-1/16W J
R2018	1-218-965-11	s	RESISTOR, CHIP 10K 1/16W
R2019	1-208-643-11	s	RESISTOR CHIP 22 1/16W (1005)
R2020	1-208-643-11	s	RESISTOR CHIP 22 1/16W (1005)
R2021	1-208-643-11	s	RESISTOR CHIP 22 1/16W (1005)
R2022	1-208-643-11	s	RESISTOR CHIP 22 1/16W (1005)
R2023	1-208-643-11	s	RESISTOR CHIP 22 1/16W (1005)
R2025	1-218-965-11	s	RESISTOR, CHIP 10K 1/16W
R2026	1-218-965-11	s	RESISTOR, CHIP 10K 1/16W
R2027	1-218-941-81	s	C-RES,V 100-1/16W J
R3001	1-218-990-11	s	RESISTOR,CHIP 0 1/16W (1005)
R3002	1-218-990-11	s	RESISTOR,CHIP 0 1/16W (1005)
R3003	1-208-643-11	s	RESISTOR CHIP 22 1/16W (1005)
R3004	1-208-643-11	s	RESISTOR CHIP 22 1/16W (1005)
R3005	1-208-643-11	s	RESISTOR CHIP 22 1/16W (1005)
R3006	1-208-643-11	s	RESISTOR CHIP 22 1/16W (1005)
R3007	1-208-643-11	s	RESISTOR CHIP 22 1/16W (1005)
R3008	1-208-643-11	s	RESISTOR CHIP 22 1/16W (1005)

## (MS BOARD)

Ref. No. or Q'ty	Part No.	SP	Description
R3009	1-208-643-11	s	RESISTOR CHIP 22 1/16W (1005)
R3010	1-208-643-11	s	RESISTOR CHIP 22 1/16W (1005)
R3011	1-218-990-11	s	RESISTOR,CHIP 0 1/16W (1005)
R3012	1-218-990-11	s	RESISTOR,CHIP 0 1/16W (1005)
RB1001	1-234-370-11	s	RES, NETWORK 22X4 (1005)
RB1002	1-234-370-11	s	RES, NETWORK 22X4 (1005)
RB1003	1-234-370-11	s	RES, NETWORK 22X4 (1005)
RB1004	1-234-370-11	s	RES, NETWORK 22X4 (1005)
RB1005	1-234-370-11	s	RES, NETWORK 22X4 (1005)
RB1006	1-234-370-11	s	RES, NETWORK 22X4 (1005)
RB1007	1-234-370-11	s	RES, NETWORK 22X4 (1005)
RB1008	1-234-370-11	s	RES, NETWORK 22X4 (1005)
RB1009	1-234-370-11	s	RES, NETWORK 22X4 (1005)
RB1010	1-234-370-11	s	RES, NETWORK 22X4 (1005)
RB1011	1-234-370-11	s	RES, NETWORK 22X4 (1005)
RB1012	1-234-370-11	s	RES, NETWORK 22X4 (1005)
RB1013	1-234-370-11	s	RES, NETWORK 22X4 (1005)
RB1014	1-234-370-11	s	RES, NETWORK 22X4 (1005)
RB1015	1-234-370-11	s	RES, NETWORK 22X4 (1005)
RB1016	1-234-370-11	s	RES, NETWORK 22X4 (1005)
RB1017	1-234-370-11	s	RES, NETWORK 22X4 (1005)
RB1018	1-234-370-11	s	RES, NETWORK 22X4 (1005)
RB1019	1-234-370-11	s	RES, NETWORK 22X4 (1005)
RB1020	1-234-370-11	s	RES, NETWORK 22X4 (1005)
RB1021	1-234-370-11	s	RES, NETWORK 22X4 (1005)
RB1022	1-234-372-11	s	RES, NETWORK 100X4 (1005)
RB1023	1-234-378-11	s	RES, NETWORK 10KX4 (1005)
RB1024	1-234-370-11	s	RES, NETWORK 22X4 (1005)
RB2001	1-234-378-11	s	RES, NETWORK 10KX4 (1005)
RB2002	1-234-378-11	s	RES, NETWORK 10KX4 (1005)
RB2003	1-234-378-11	s	RES, NETWORK 10KX4 (1005)
RB2004	1-234-378-11	s	RES, NETWORK 10KX4 (1005)
RB2005	1-234-378-11	s	RES, NETWORK 10KX4 (1005)
RB2006	1-234-378-11	s	RES, NETWORK 10KX4 (1005)
RB2007	1-234-378-11	s	RES, NETWORK 10KX4 (1005)
RB2008	1-234-378-11	s	RES, NETWORK 10KX4 (1005)
RB2009	1-234-378-11	s	RES, NETWORK 10KX4 (1005)
RB3001	1-234-371-11	s	RES, NETWORK 47X4 (1005)
RB3002	1-234-371-11	s	RES, NETWORK 47X4 (1005)
RB3003	1-234-371-11	s	RES, NETWORK 47X4 (1005)
RB3004	1-234-371-11	s	RES, NETWORK 47X4 (1005)
RB3005	1-234-371-11	s	RES, NETWORK 47X4 (1005)
RB3006	1-234-371-11	s	RES, NETWORK 47X4 (1005)
RB3007	1-234-371-11	s	RES, NETWORK 47X4 (1005)
RB3008	1-234-371-11	s	RES, NETWORK 47X4 (1005)
RB3009	1-234-371-11	s	RES, NETWORK 47X4 (1005)
RB3010	1-234-371-11	s	RES, NETWORK 47X4 (1005)
RB3011	1-234-371-11	s	RES, NETWORK 47X4 (1005)
RB3012	1-234-371-11	s	RES, NETWORK 47X4 (1005)
RB3013	1-234-371-11	s	RES, NETWORK 47X4 (1005)
RB3014	1-234-371-11	s	RES, NETWORK 47X4 (1005)
RB3015	1-234-371-11	s	RES, NETWORK 47X4 (1005)
RB3016	1-234-371-11	s	RES, NETWORK 47X4 (1005)
RB3017	1-234-371-11	s	RES, NETWORK 47X4 (1005)
RB3018	1-234-371-11	s	RES, NETWORK 47X4 (1005)
RB3019	1-234-371-11	s	RES, NETWORK 47X4 (1005)
RB3020	1-234-371-11	s	RES, NETWORK 47X4 (1005)
TP1001	1-535-757-11	s	CHIP, CHECKER (CONNECTOR)

(MS BOARD)

Ref. No. or Q'ty	Part No.	SP Description
TP1003	1-535-757-11	s CHIP, CHECKER (CONNECTOR)
TP1004	1-535-757-11	s CHIP, CHECKER (CONNECTOR)
TP1005	1-535-757-11	s CHIP, CHECKER (CONNECTOR)
TP1006	1-535-757-11	s CHIP, CHECKER (CONNECTOR)
TP1007	1-535-757-11	s CHIP, CHECKER (CONNECTOR)
TP1008	1-535-757-11	s CHIP, CHECKER (CONNECTOR)
TP1009	1-535-757-11	s CHIP, CHECKER (CONNECTOR)
TP1010	1-535-757-11	s CHIP, CHECKER (CONNECTOR)
TP3001	1-535-757-11	s CHIP, CHECKER (CONNECTOR)
X3001	1-795-690-22	s OSCILLATOR, CRYSTAL (SMD)

-----  
NF BOARD  
-----

Ref. No. or Q'ty	Part No.	SP Description
lpc	A-1405-995-A	s MOUNTED CIRCUIT BOARD, NF
C11	1-115-156-11	s CAPACITOR,CERAMIC 1MF/10V(1608
CN11	1-770-620-21	s PIN, CONNECTOR 3P
IC11	8-749-012-17	s IC RS-140-T
R11	1-218-937-11	s RESISTOR, CHIP 47
R12	1-218-941-81	s C-RES,V 100-1/16W J

-----  
NR BOARD  
-----

Ref. No. or Q'ty	Part No.	SP Description
lpc	A-1405-988-A	s MOUNTED CIRCUIT BOARD, NR
C21	1-115-156-11	s CAPACITOR,CERAMIC 1MF/10V(1608
C22	1-107-820-11	s CAPACITOR,CHIP CERAMIC 0.1MF F
CN21	1-770-621-21	s PIN, CONNECTOR 4P
IC21	8-749-012-17	s IC RS-140-T
R21	1-218-937-11	s RESISTOR, CHIP 47
R22	1-218-941-81	s C-RES,V 100-1/16W J
TH021	1-803-382-11	s THERMISTOR (10K)

-----  
QA BOARD  
-----

Ref. No. or Q'ty	Part No.	SP	Description
1pc	A-1302-477-A	s	MOUNTED CIRCUIT BOARD, QA
C10	1-125-837-91	s	CAPACITOR,CHIP CERAMIC1MF/6.3V
C11	1-119-667-11	s	CAPACITOR CERAMIC 22MF/10V(F)
C12	1-162-921-11	s	CAPACITOR,CERAMIC 33PF/50V CH
C13	1-162-921-11	s	CAPACITOR,CERAMIC 33PF/50V CH
C14	1-107-826-11	s	CAPACITOR,CHIP CERAMIC 0.1MF
C15	1-162-970-11	s	CAPACITOR CERAMIC 0.01MF/25V B
C16	1-107-826-11	s	CAPACITOR,CHIP CERAMIC 0.1MF
CN10	1-794-962-11	s	CONNECTOR, SQUARE TYPE 5P
CN11	1-694-242-11	s	TERMINAL, S
CN12	1-785-946-11	s	CONNECTOR 3P
CN13	1-793-798-21	o	CONNECTOR, BOARD TO BOARD
D11	8-719-036-80	s	DIODE RD3.9SB
D14	8-719-036-80	s	DIODE RD3.9SB
D15	8-719-988-61	s	DIODE 1SS355TE-17
FB10	1-414-921-11	s	INDUCTOR, FERRITE BEAD
FB11	1-414-921-11	s	INDUCTOR, FERRITE BEAD
FB12	1-414-921-11	s	INDUCTOR, FERRITE BEAD
FB13	1-414-921-11	s	INDUCTOR, FERRITE BEAD
FB14	1-414-921-11	s	INDUCTOR, FERRITE BEAD
FB15	1-414-921-11	s	INDUCTOR, FERRITE BEAD
FB16	1-414-921-11	s	INDUCTOR, FERRITE BEAD
IC10	6-701-707-01	s	IC ST72T631K4M1-201
J10	1-816-949-11	o	PIN JACK 3P
J11	1-785-549-41	o	JACK, PIN YELLOW
Q10	8-729-013-28	s	TRANSISTOR HN1B01FU-TE85R
R10	1-216-864-11	s	CONDUCTOR, CHIP (1608)
R11	1-216-864-11	s	CONDUCTOR, CHIP (1608)
R12	1-216-864-11	s	CONDUCTOR, CHIP (1608)
R13	1-216-833-11	s	RESISTOR,CHIP 10K 1/10W (1608)
R14	1-216-864-11	s	CONDUCTOR, CHIP (1608)
R15	1-216-864-11	s	CONDUCTOR, CHIP (1608)
R16	1-216-864-11	s	CONDUCTOR, CHIP (1608)
R17	1-216-833-11	s	RESISTOR,CHIP 10K 1/10W (1608)
R18	1-216-821-11	s	RESISTOR,CHIP 1.0K 1/10W(1608)
R19	1-216-864-11	s	CONDUCTOR, CHIP (1608)
R20	1-216-864-11	s	CONDUCTOR, CHIP (1608)
R21	1-216-825-11	s	RESISTOR,CHIP 2.2K 1/10W 1608
R22	1-216-837-11	s	RESISTOR,CHIP 22K 1/16W 1608
R23	1-216-841-11	s	RESISTOR, CHIP 47K 1/10W 1608
R24	1-216-857-11	s	RESISTOR,CHIP 1M 1/10W(1608)
R25	1-216-833-11	s	RESISTOR,CHIP 10K 1/10W (1608)
R26	1-216-823-11	s	RESISTOR, CHIP 1.5K 1/10W
R27	1-216-829-11	s	RESISTOR,CHIP 4.7K 1/10W(1608)
R28	1-216-829-11	s	RESISTOR,CHIP 4.7K 1/10W(1608)
R29	1-216-805-11	s	RESISTOR,CHIP 47 1/10W 1608
R30	1-216-805-11	s	RESISTOR,CHIP 47 1/10W 1608
R31	1-216-805-11	s	RESISTOR,CHIP 47 1/10W 1608
X10	1-781-994-21	s	VIBRATOR, CRYSTAL

-----  
QB BOARD  
-----

Ref. No. or Q'ty	Part No.	SP	Description
1pc	A-1302-478-A	s	MOUNTED CIRCUIT BOARD, QB
C101	1-107-826-11	s	CAPACITOR,CHIP CERAMIC 0.1MF
C102	1-107-826-11	s	CAPACITOR,CHIP CERAMIC 0.1MF
C103	1-126-205-11	s	CAPACITOR,ELECT 47M/6.3
C202	1-126-206-11	s	CAPACITOR, ELECT 100MF/6.3V
C203	1-107-826-11	s	CAPACITOR,CHIP CERAMIC 0.1MF
C205	1-126-206-11	s	CAPACITOR, ELECT 100MF/6.3V
C206	1-162-970-11	s	CAPACITOR CERAMIC 0.01MF/25V B
C207	1-162-970-11	s	CAPACITOR CERAMIC 0.01MF/25V B
C208	1-162-970-11	s	CAPACITOR CERAMIC 0.01MF/25V B
C209	1-162-970-11	s	CAPACITOR CERAMIC 0.01MF/25V B
C210	1-162-970-11	s	CAPACITOR CERAMIC 0.01MF/25V B
C211	1-162-970-11	s	CAPACITOR CERAMIC 0.01MF/25V B
C212	1-128-390-11	s	CAPACITOR ELECT 220MF/6.3V
C213	1-107-826-11	s	CAPACITOR,CHIP CERAMIC 0.1MF
C214	1-164-505-11	s	CAPACITOR,CHIP CERAMIC 2.2MF
C215	1-126-206-11	s	CAPACITOR, ELECT 100MF/6.3V
C216	1-107-826-11	s	CAPACITOR,CHIP CERAMIC 0.1MF
C217	1-164-505-11	s	CAPACITOR,CHIP CERAMIC 2.2MF
C218	1-162-970-11	s	CAPACITOR CERAMIC 0.01MF/25V B
C219	1-162-970-11	s	CAPACITOR CERAMIC 0.01MF/25V B
C220	1-162-970-11	s	CAPACITOR CERAMIC 0.01MF/25V B
C221	1-162-970-11	s	CAPACITOR CERAMIC 0.01MF/25V B
C224	1-107-826-11	s	CAPACITOR,CHIP CERAMIC 0.1MF
C225	1-107-826-11	s	CAPACITOR,CHIP CERAMIC 0.1MF
C235	1-107-826-11	s	CAPACITOR,CHIP CERAMIC 0.1MF
C236	1-126-205-11	s	CAPACITOR,ELECT 47M/6.3
C237	1-107-826-11	s	CAPACITOR,CHIP CERAMIC 0.1MF
C301	1-126-205-11	s	CAPACITOR,ELECT 47M/6.3
C304	1-107-826-11	s	CAPACITOR,CHIP CERAMIC 0.1MF
C305	1-107-826-11	s	CAPACITOR,CHIP CERAMIC 0.1MF
C306	1-107-826-11	s	CAPACITOR,CHIP CERAMIC 0.1MF
C307	1-107-826-11	s	CAPACITOR,CHIP CERAMIC 0.1MF
C308	1-128-390-11	s	CAPACITOR ELECT 220MF/6.3V
C309	1-164-505-11	s	CAPACITOR,CHIP CERAMIC 2.2MF
C310	1-126-206-11	s	CAPACITOR, ELECT 100MF/6.3V
C311	1-107-826-11	s	CAPACITOR,CHIP CERAMIC 0.1MF
C312	1-126-206-11	s	CAPACITOR, ELECT 100MF/6.3V
C313	1-107-826-11	s	CAPACITOR,CHIP CERAMIC 0.1MF
C314	1-107-826-11	s	CAPACITOR,CHIP CERAMIC 0.1MF
C315	1-107-826-11	s	CAPACITOR,CHIP CERAMIC 0.1MF
C316	1-107-826-11	s	CAPACITOR,CHIP CERAMIC 0.1MF
C317	1-162-970-11	s	CAPACITOR CERAMIC 0.01MF/25V B
C318	1-162-970-11	s	CAPACITOR CERAMIC 0.01MF/25V B
C319	1-107-826-11	s	CAPACITOR,CHIP CERAMIC 0.1MF
C320	1-107-826-11	s	CAPACITOR,CHIP CERAMIC 0.1MF
C321	1-162-970-11	s	CAPACITOR CERAMIC 0.01MF/25V B
C322	1-162-970-11	s	CAPACITOR CERAMIC 0.01MF/25V B
C323	1-107-826-11	s	CAPACITOR,CHIP CERAMIC 0.1MF
C324	1-107-826-11	s	CAPACITOR,CHIP CERAMIC 0.1MF
C325	1-126-205-11	s	CAPACITOR,ELECT 47M/6.3
C326	1-107-826-11	s	CAPACITOR,CHIP CERAMIC 0.1MF
C327	1-128-390-11	s	CAPACITOR ELECT 220MF/6.3V
C328	1-164-505-11	s	CAPACITOR,CHIP CERAMIC 2.2MF
C329	1-137-710-91	s	CAPACITOR,CERAMIC 10MF B(2012)
C330	1-165-176-11	s	CAPACITOR,CERAMIC 47000PF/16V
C331	1-107-826-11	s	CAPACITOR,CHIP CERAMIC 0.1MF
C332	1-162-970-11	s	CAPACITOR CERAMIC 0.01MF/25V B

## (QB BOARD)

Ref. No. or Q'ty	Part No.	SP	Description
C333	1-107-826-11	s	CAPACITOR,CHIP CERAMIC 0.1MF
C334	1-162-970-11	s	CAPACITOR CERAMIC 0.01MF/25V B
C335	1-126-205-11	s	CAPACITOR,ELECT 47M/6.3
C336	1-107-826-11	s	CAPACITOR,CHIP CERAMIC 0.1MF
C337	1-164-505-11	s	CAPACITOR,CHIP CERAMIC 2.2MF
C338	1-126-205-11	s	CAPACITOR,ELECT 47M/6.3
CN101	1-815-914-11	s	CONNECTOR, SQUARE TYPE (32P)
CN102	1-793-798-21	o	CONNECTOR, BOARD TO BOARD
CN103	1-785-306-21	o	CONNECTOR, BOARD TO BOARD
CN201	1-816-228-11	s	CONNECTOR, DIV
CN301	1-817-733-11	s	HDMI CONNECTOR
D103	8-719-073-11	s	DIODE BZA456A
D104	8-719-073-11	s	DIODE BZA456A
D105	8-719-941-86	s	DIODE DAN202U
D201	8-719-069-55	s	DIODE UDZS-TE17-5.6B
D202	8-719-069-55	s	DIODE UDZS-TE17-5.6B
D204	8-719-024-77	s	DIODE HN1D03FU-TE85L
D205	8-719-024-77	s	DIODE HN1D03FU-TE85L
D206	8-719-024-77	s	DIODE HN1D03FU-TE85L
D207	8-719-024-77	s	DIODE HN1D03FU-TE85L
D208	8-719-941-86	s	DIODE DAN202U
D302	8-719-069-55	s	DIODE UDZS-TE17-5.6B
D303	8-719-069-55	s	DIODE UDZS-TE17-5.6B
D308	8-719-941-86	s	DIODE DAN202U
D309	8-719-941-86	s	DIODE DAN202U
D310	8-719-941-86	s	DIODE DAN202U
FB101	1-414-921-11	s	INDUCTOR, FERRITE BEAD
FB204	1-414-921-11	s	INDUCTOR, FERRITE BEAD
FB206	1-414-921-11	s	INDUCTOR, FERRITE BEAD
FB207	1-414-921-11	s	INDUCTOR, FERRITE BEAD
FB208	1-414-921-11	s	INDUCTOR, FERRITE BEAD
FB301	1-414-921-11	s	INDUCTOR, FERRITE BEAD
FB302	1-414-921-11	s	INDUCTOR, FERRITE BEAD
FB303	1-414-921-11	s	INDUCTOR, FERRITE BEAD
FB304	1-414-921-11	s	INDUCTOR, FERRITE BEAD
FB305	1-469-670-11	o	FERRITE, EMI (SMD)
FB307	1-414-921-11	s	INDUCTOR, FERRITE BEAD
IC101	8-759-661-55	s	IC ST24FC21M6TR
IC102	8-759-596-39	s	IC SN74LV4052APWR
IC206	6-703-225-01	s	IC S-80928CNMC-G8YT2G
IC205	-----	IC	SII169CT100
<b>Note</b>	If this IC has failed, replace the whole QB board.		
IC212	8-759-596-39	s	IC SN74LV4052APWR
IC213	-----	IC	BR24L02F-WE2
<b>Note</b>	If this IC has failed, replace the whole QB board.		
IC302	-----	IC	BR24L02F-WE2
<b>Note</b>	If this IC has failed, replace the whole QB board.		
IC303	8-759-596-39	s	IC SN74LV4052APWR
IC304	6-703-225-01	s	IC S-80928CNMC-G8YT2G
IC305	6-704-499-01	s	IC SII9933CTG100
L201	1-414-754-11	s	INDUCTOR 10.0UH
L202	1-414-754-11	s	INDUCTOR 10.0UH
L301	1-414-754-11	s	INDUCTOR 10.0UH
L302	1-414-754-11	s	INDUCTOR 10.0UH
L303	1-414-754-11	s	INDUCTOR 10.0UH
L304	1-414-754-11	s	INDUCTOR 10.0UH

## (QB BOARD)

Ref. No. or Q'ty	Part No.	SP	Description
Q101	8-729-029-14	s	TRANSISTOR DTC144EUA-T106
Q203	6-550-014-01	s	TRANSISTOR SSM6N15FU(TE85R)
Q302	6-550-014-01	s	TRANSISTOR SSM6N15FU(TE85R)
Q303	8-729-029-14	s	TRANSISTOR DTC144EUA-T106
Q304	8-729-029-14	s	TRANSISTOR DTC144EUA-T106
R101	1-216-864-11	s	CONDUCTOR, CHIP (1608)
R102	1-216-864-11	s	CONDUCTOR, CHIP (1608)
R103	1-216-864-11	s	CONDUCTOR, CHIP (1608)
R104	1-216-864-11	s	CONDUCTOR, CHIP (1608)
R105	1-216-864-11	s	CONDUCTOR, CHIP (1608)
R106	1-216-813-11	s	RESISTOR, CHIP 220 1/10W 1608
R107	1-216-864-11	s	CONDUCTOR, CHIP (1608)
R108	1-216-805-11	s	RESISTOR,CHIP 47 1/10W 1608
R109	1-216-864-11	s	CONDUCTOR, CHIP (1608)
R110	1-216-864-11	s	CONDUCTOR, CHIP (1608)
R111	1-216-805-11	s	RESISTOR,CHIP 47 1/10W 1608
R112	1-216-835-11	s	RESISTOR,CHIP 15K 1/10W
R113	1-216-835-11	s	RESISTOR,CHIP 15K 1/10W
R114	1-216-833-11	s	RESISTOR,CHIP 10K 1/10W (1608)
R115	1-216-805-11	s	RESISTOR,CHIP 47 1/10W 1608
R116	1-216-805-11	s	RESISTOR,CHIP 47 1/10W 1608
R117	1-216-805-11	s	RESISTOR,CHIP 47 1/10W 1608
R153	1-216-837-11	s	RESISTOR,CHIP 22K 1/16W 1608
R201	1-216-833-11	s	RESISTOR,CHIP 10K 1/10W (1608)
R209	1-216-829-11	s	RESISTOR,CHIP 4.7K 1/10W(1608)
R210	1-216-829-11	s	RESISTOR,CHIP 4.7K 1/10W(1608)
R217	1-216-864-11	s	CONDUCTOR, CHIP (1608)
R223	1-216-864-11	s	CONDUCTOR, CHIP (1608)
R224	1-216-864-11	s	CONDUCTOR, CHIP (1608)
R229	1-216-805-11	s	RESISTOR,CHIP 47 1/10W 1608
R230	1-216-805-11	s	RESISTOR,CHIP 47 1/10W 1608
R231	1-216-805-11	s	RESISTOR,CHIP 47 1/10W 1608
R232	1-216-805-11	s	RESISTOR,CHIP 47 1/10W 1608
R233	1-216-809-11	s	RESISTOR,CHIP 100 1/10W 1608
R234	1-216-809-11	s	RESISTOR,CHIP 100 1/10W 1608
R235	1-218-682-11	s	RESISTOR,CHIP 390 1/16W (1608)
R236	1-216-864-11	s	CONDUCTOR, CHIP (1608)
R237	1-216-809-11	s	RESISTOR,CHIP 100 1/10W 1608
R240	1-216-809-11	s	RESISTOR,CHIP 100 1/10W 1608
R241	1-216-833-11	s	RESISTOR,CHIP 10K 1/10W (1608)
R245	1-216-829-11	s	RESISTOR,CHIP 4.7K 1/10W(1608)
R246	1-216-829-11	s	RESISTOR,CHIP 4.7K 1/10W(1608)
R248	1-216-805-11	s	RESISTOR,CHIP 47 1/10W 1608
R249	1-216-864-11	s	CONDUCTOR, CHIP (1608)
R252	1-216-864-11	s	CONDUCTOR, CHIP (1608)
R253	1-216-805-11	s	RESISTOR,CHIP 47 1/10W 1608
R254	1-216-864-11	s	CONDUCTOR, CHIP (1608)
R301	1-216-821-11	s	RESISTOR,CHIP 1.0K 1/10W(1608)
R306	1-216-805-11	s	RESISTOR,CHIP 47 1/10W 1608
R307	1-216-805-11	s	RESISTOR,CHIP 47 1/10W 1608
R308	1-216-829-11	s	RESISTOR,CHIP 4.7K 1/10W(1608)
R309	1-216-829-11	s	RESISTOR,CHIP 4.7K 1/10W(1608)
R310	1-216-805-11	s	RESISTOR,CHIP 47 1/10W 1608
R311	1-216-805-11	s	RESISTOR,CHIP 47 1/10W 1608
R312	1-216-833-11	s	RESISTOR,CHIP 10K 1/10W (1608)
R313	1-216-809-11	s	RESISTOR,CHIP 100 1/10W 1608
R314	1-216-805-11	s	RESISTOR,CHIP 47 1/10W 1608
R315	1-216-805-11	s	RESISTOR,CHIP 47 1/10W 1608
R316	1-216-829-11	s	RESISTOR,CHIP 4.7K 1/10W(1608)



(QB BOARD)

Ref. No. or Q'ty	Part No.	SP	Description
R317	1-216-829-11	s	RESISTOR,CHIP 4.7K 1/10W(1608)
R318	1-216-805-11	s	RESISTOR,CHIP 47 1/10W 1608
R319	1-216-805-11	s	RESISTOR,CHIP 47 1/10W 1608
R321	1-216-833-11	s	RESISTOR,CHIP 10K 1/10W (1608)
R322	1-218-682-11	s	RESISTOR,CHIP 390 1/16W (1608)
R323	1-216-805-11	s	RESISTOR,CHIP 47 1/10W 1608
R324	1-216-797-11	s	RESISTOR,CHIP 10 1/10W 1608
R325	1-216-864-11	s	CONDUCTOR, CHIP (1608)
R326	1-216-864-11	s	CONDUCTOR, CHIP (1608)
R327	1-216-805-11	s	RESISTOR,CHIP 47 1/10W 1608
R328	1-216-829-11	s	RESISTOR,CHIP 4.7K 1/10W(1608)
R329	1-216-833-11	s	RESISTOR,CHIP 10K 1/10W (1608)
R330	1-216-809-11	s	RESISTOR,CHIP 100 1/10W 1608
R331	1-216-809-11	s	RESISTOR,CHIP 100 1/10W 1608
R332	1-216-809-11	s	RESISTOR,CHIP 100 1/10W 1608
R333	1-216-809-11	s	RESISTOR,CHIP 100 1/10W 1608
R334	1-216-821-11	s	RESISTOR,CHIP 1.0K 1/10W(1608)
R335	1-216-833-11	s	RESISTOR,CHIP 10K 1/10W (1608)
R336	1-216-805-11	s	RESISTOR,CHIP 47 1/10W 1608
R337	1-216-805-11	s	RESISTOR,CHIP 47 1/10W 1608
R338	1-216-833-11	s	RESISTOR,CHIP 10K 1/10W (1608)
RB101	1-234-372-11	s	RES, NETWORK 100X4 (1005)
RB201	1-234-372-11	s	RES, NETWORK 100X4 (1005)
RB202	1-234-372-11	s	RES, NETWORK 100X4 (1005)
RB203	1-234-372-11	s	RES, NETWORK 100X4 (1005)
RB204	1-234-372-11	s	RES, NETWORK 100X4 (1005)
RB205	1-234-372-11	s	RES, NETWORK 100X4 (1005)
RB206	1-234-372-11	s	RES, NETWORK 100X4 (1005)
RB207	1-234-372-11	s	RES, NETWORK 100X4 (1005)
RB208	1-234-372-11	s	RES, NETWORK 100X4 (1005)
RB209	1-234-372-11	s	RES, NETWORK 100X4 (1005)
RB210	1-234-372-11	s	RES, NETWORK 100X4 (1005)
RB211	1-234-372-11	s	RES, NETWORK 100X4 (1005)
RB212	1-234-372-11	s	RES, NETWORK 100X4 (1005)
RB301	1-234-370-11	s	RES, NETWORK 22X4 (1005)
RB302	1-234-370-11	s	RES, NETWORK 22X4 (1005)
RB303	1-234-370-11	s	RES, NETWORK 22X4 (1005)
RB304	1-234-370-11	s	RES, NETWORK 22X4 (1005)
RB305	1-234-370-11	s	RES, NETWORK 22X4 (1005)
RB306	1-234-370-11	s	RES, NETWORK 22X4 (1005)
TP101	1-535-757-11	s	CHIP, CHECKER (CONNECTOR)
TP201	1-535-757-11	s	CHIP, CHECKER (CONNECTOR)
TP301	1-535-757-11	s	CHIP, CHECKER (CONNECTOR)

U BOARD

Ref. No. or Q'ty	Part No.	SP	Description
lpc	A-1405-984-A	s	MOUNTED CIRCUIT BOARD, U
CN41	1-770-620-21	s	PIN, CONNECTOR 3P
S41	△ 1-762-984-11	s	SWITCH, PUSH
S42	△ 1-762-984-11	s	SWITCH, PUSH

## 4-4. Packing Materials & Supplied Accessories

-----  
PACKING MATERIALS & SUPPLIED ACCESSORIES  
-----

Ref. No. or Q'ty	Part No.	SP Description
1pc	1-477-604-11	s REMOTE COMMANDER (RM-PJHS10)
1pc	9-885-028-14	s BATTERY COVER (FOR RM-PJHS10)
1pc	△ -----	CORD,POWER
(See Sec.1-6. Warning on		Power Connection)
1pc	1-824-821-11	s CORD WITH CONNECTOR(AVMONITOR)
1pc	3-704-353-01	s SHEET (STANDARD), PROTECTION
1pc	4-099-551-01	o OPERATING INSTRUCTIONS (JAPANESE,SIMPLIFIED CHINESE)
1pc	4-099-551-11	o OPERATING INSTRUCTIONS (ENGLISH,FRENCH,SPANISH)
1pc	4-099-551-21	o OPERATING INSTRUCTIONS (GERMAN,ITALIAN)

## 4-5. VPLL-CT10

-----  
PACKING MATERIALS & SUPPLIED ACCESSORIES  
-----

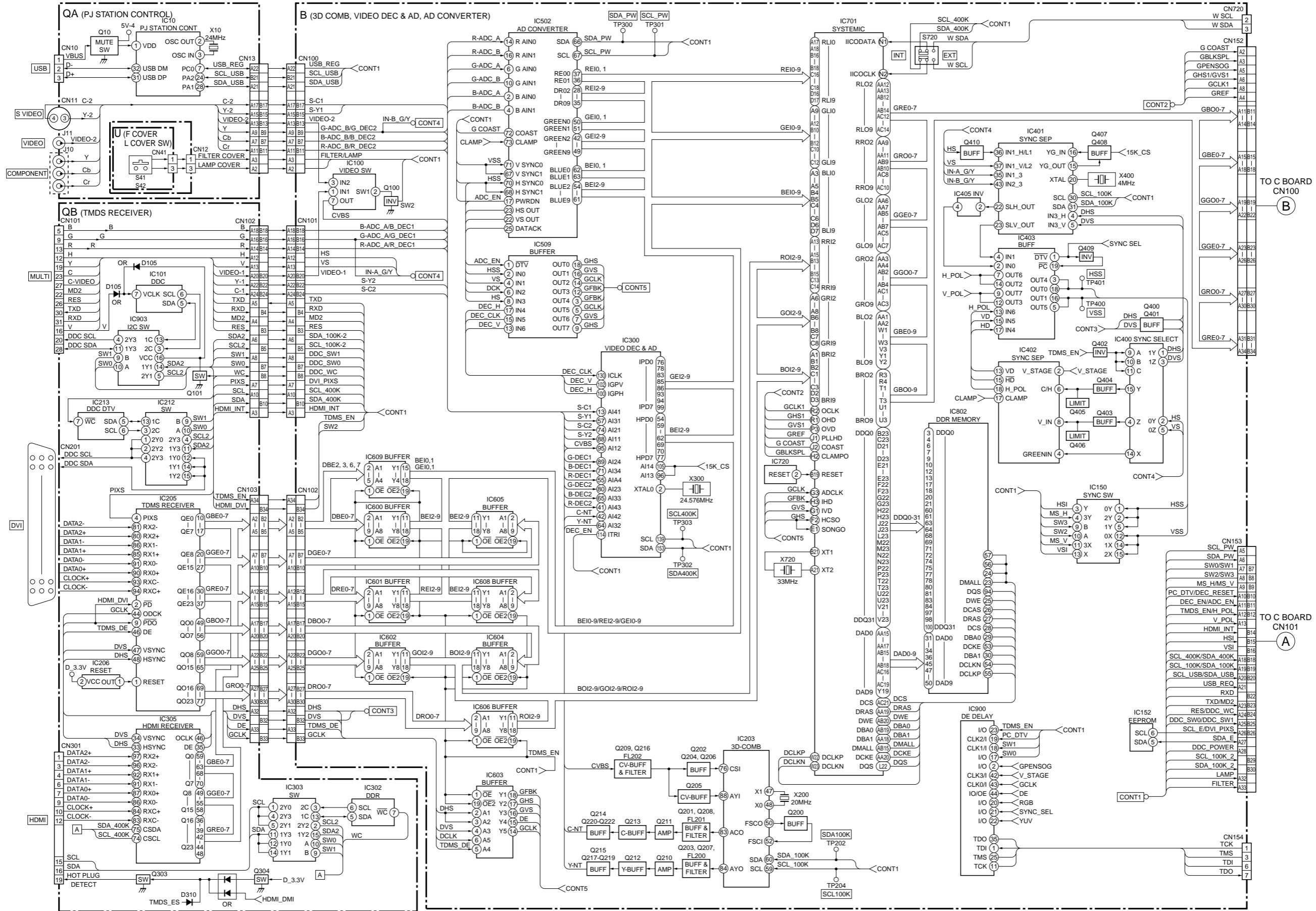
Ref. No. or Q'ty	Part No.	SP Description
1pc	4-084-808-01	o MANUAL, INSTRUCTION (JAPANESE,SIMPLIFIED CHINESE, ENGLISH,FRENCH,SPANISH,GERMAN,ITALIAN)
1pc	4-085-233-01	o CAP (CT), LENS
1pc	7-682-973-09	s SCREW +PSW 5X8

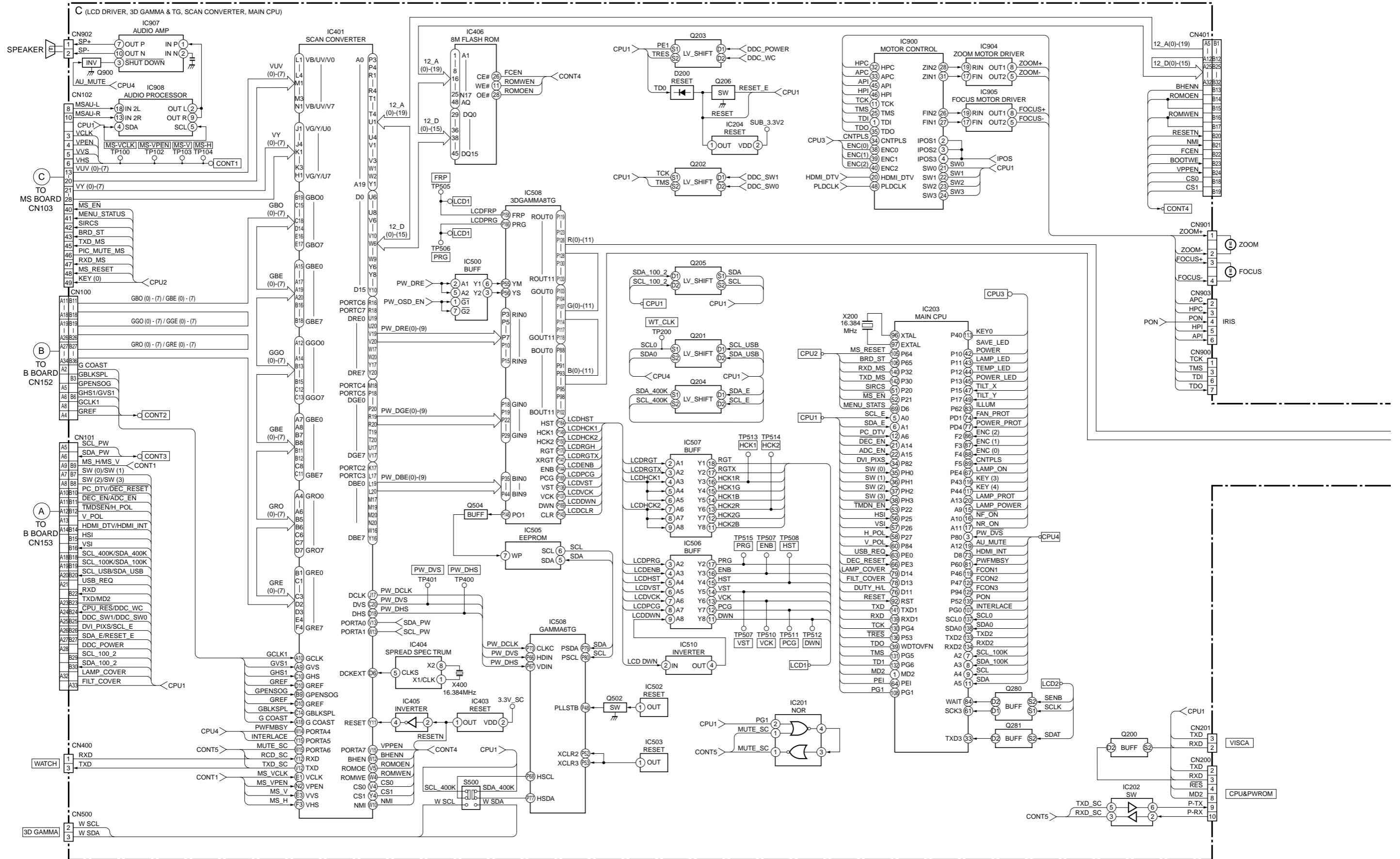
## 4-6. VPLL-CW10

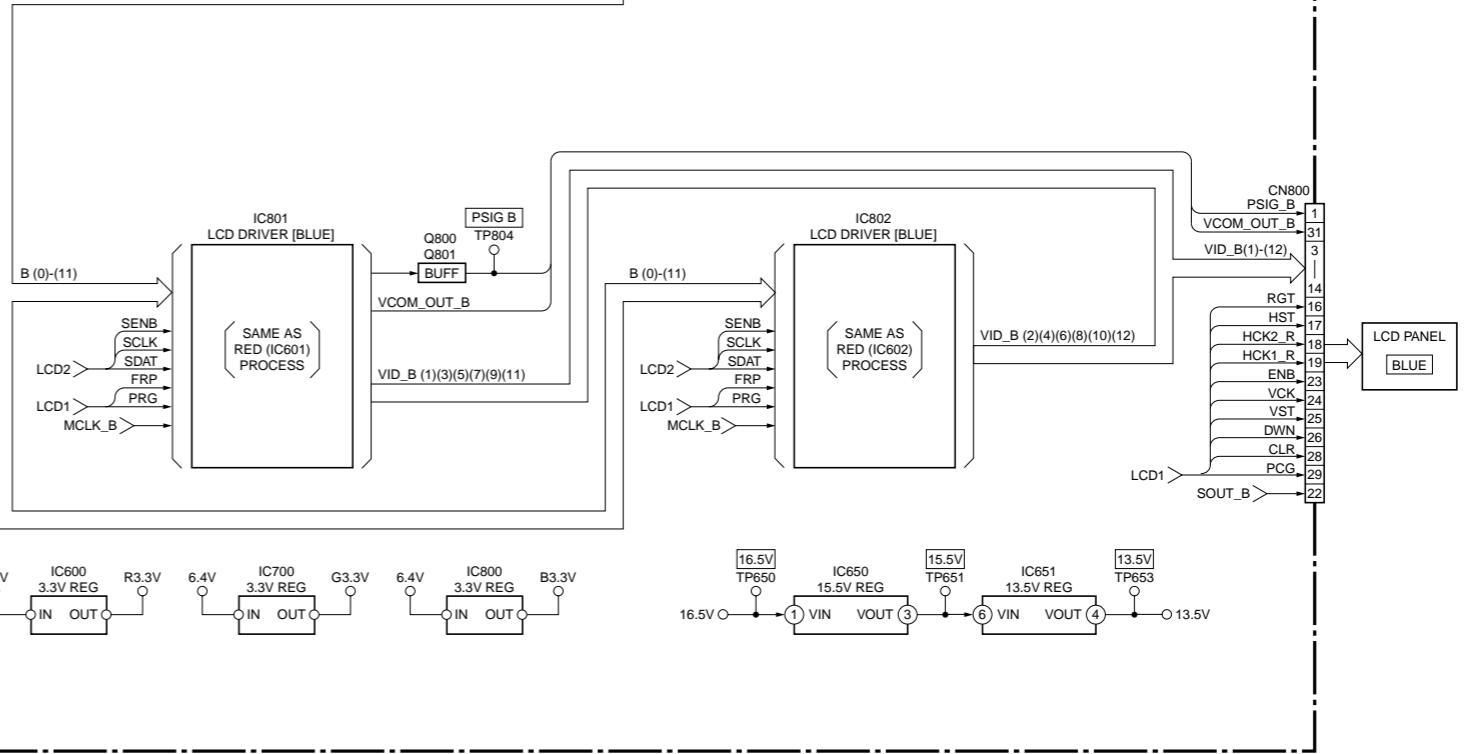
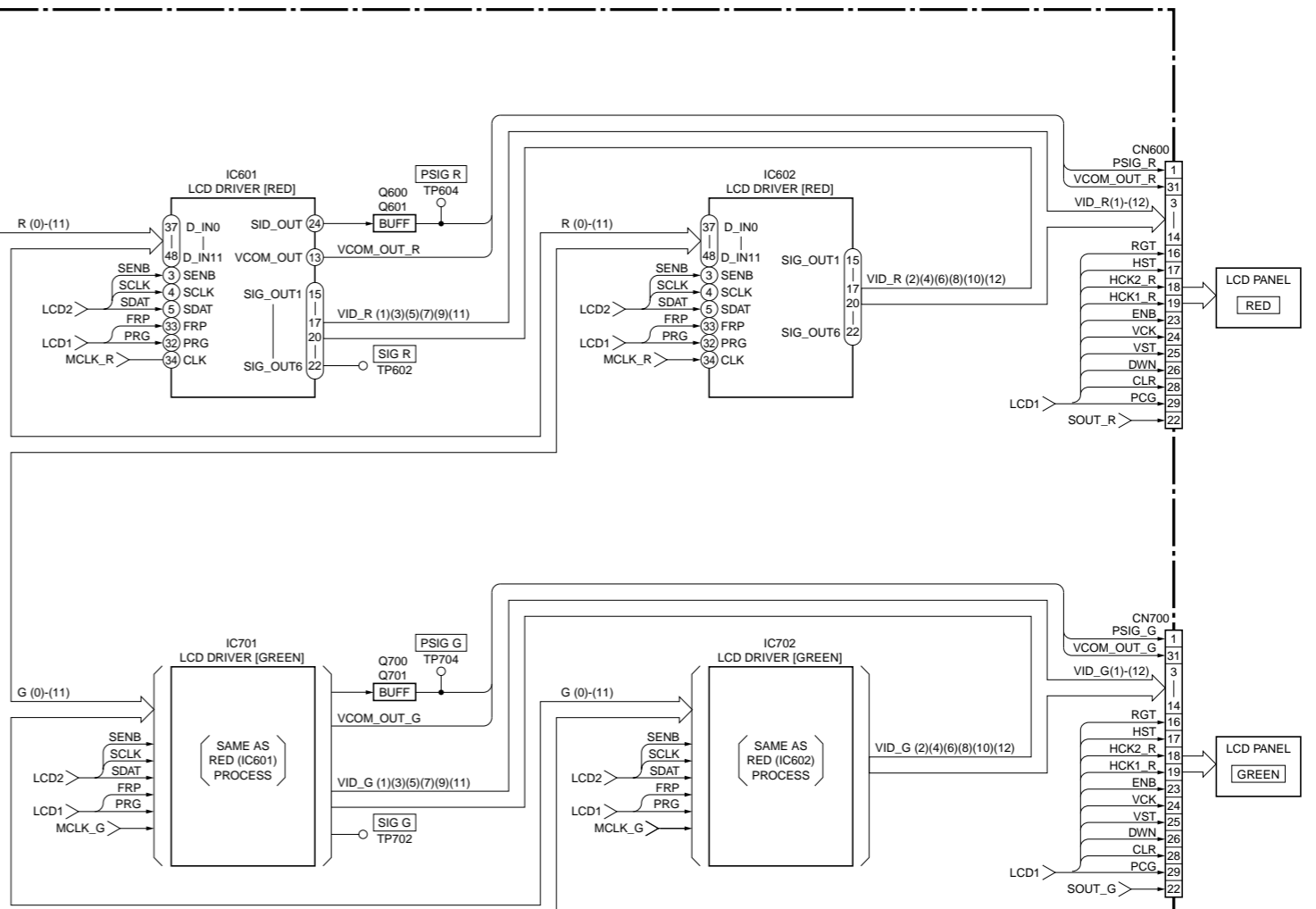
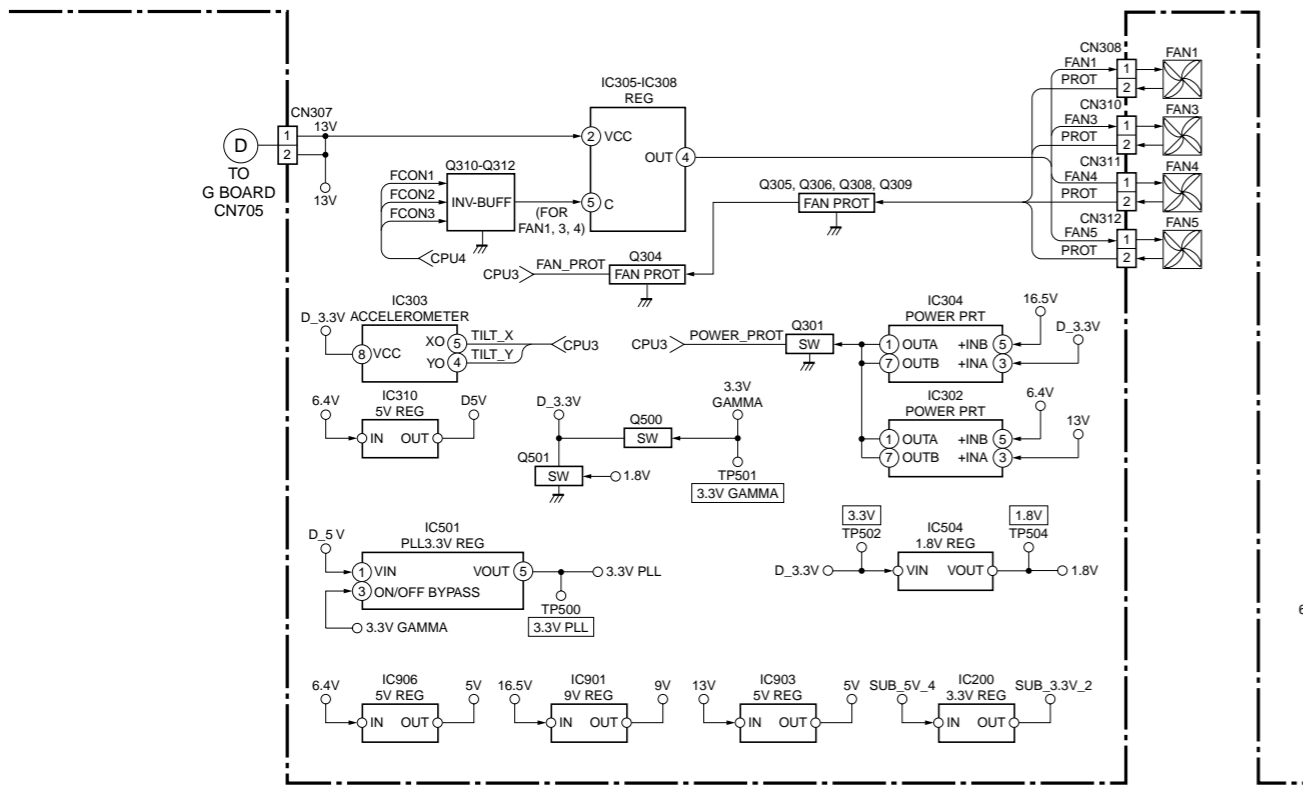
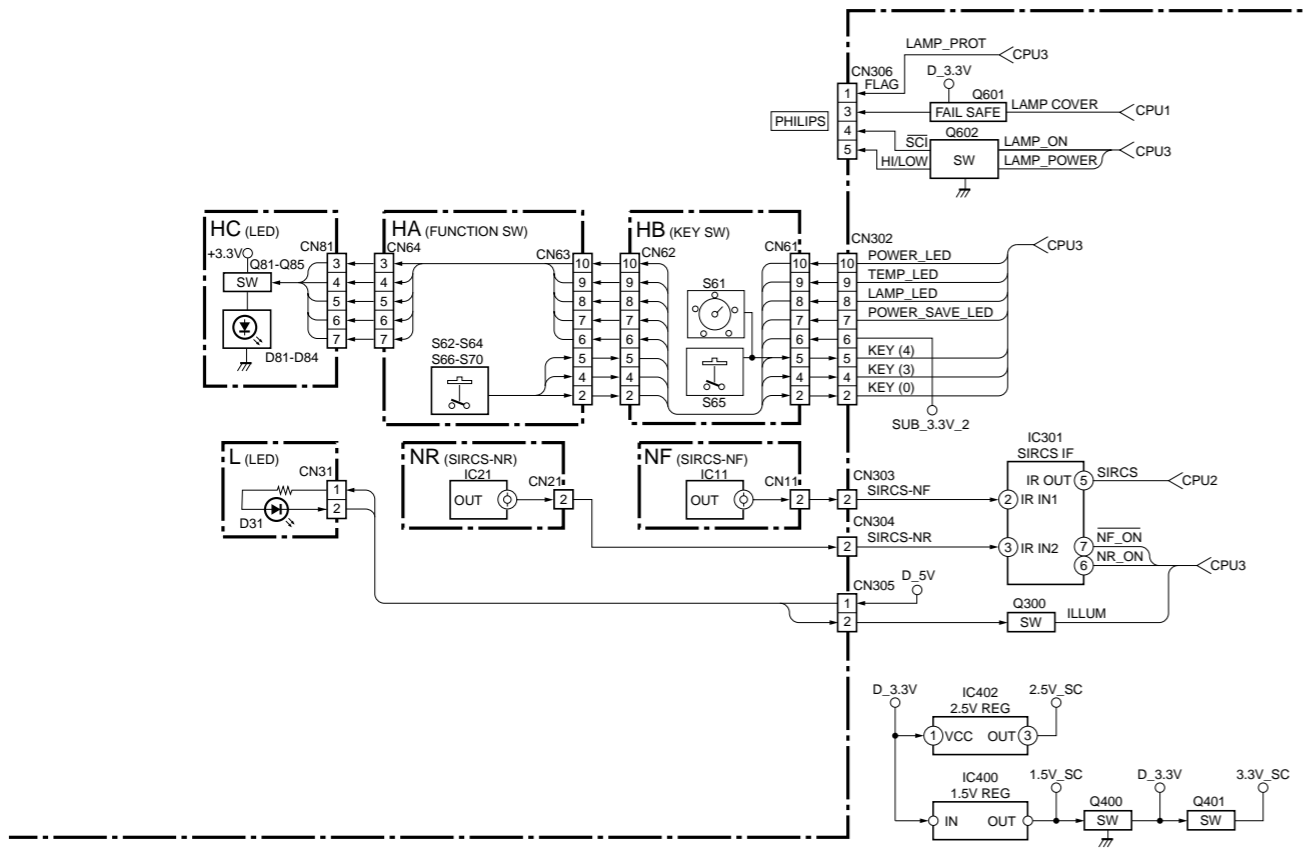
-----  
PACKING MATERIALS & SUPPLIED ACCESSORIES  
-----

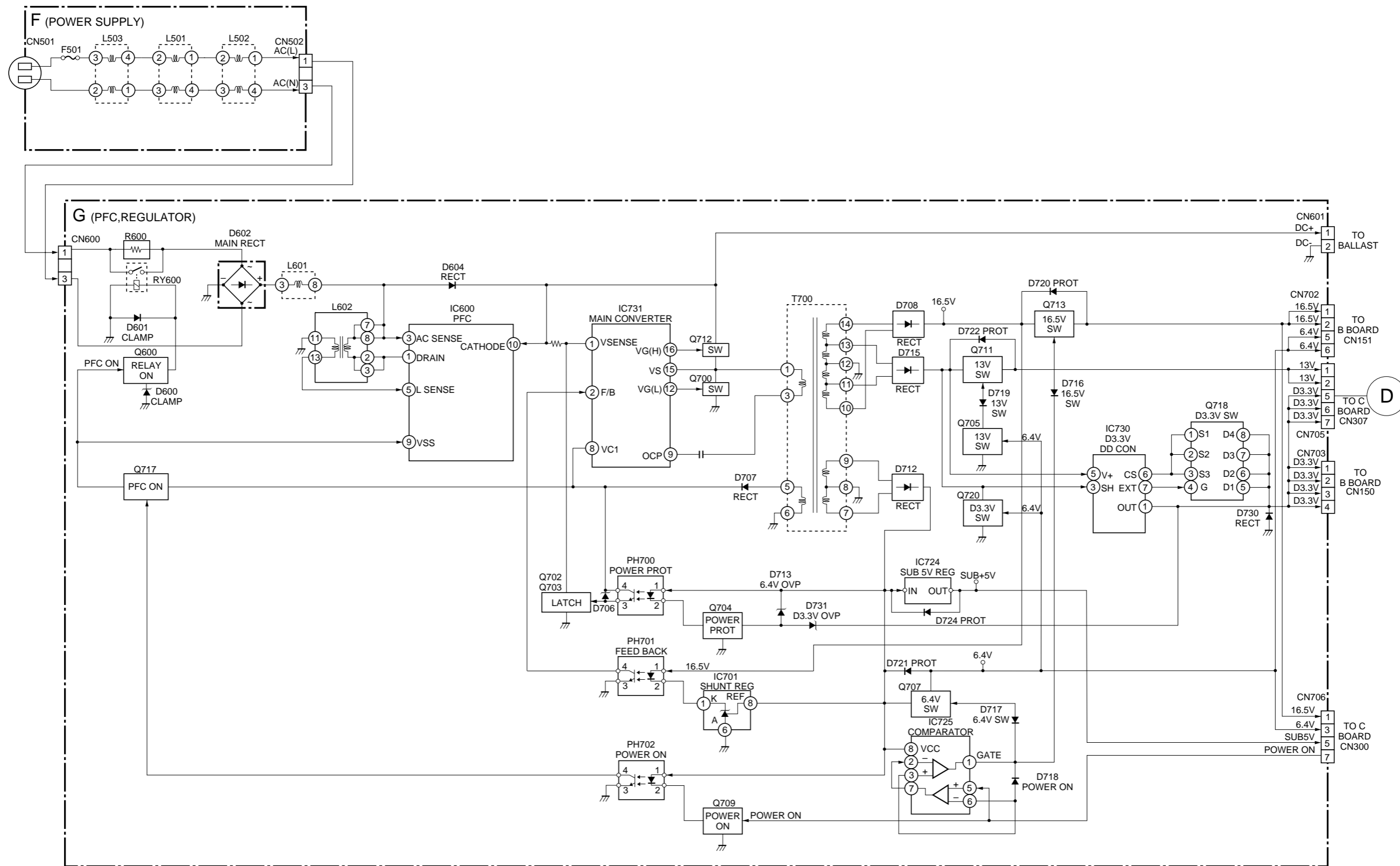
Ref. No. or Q'ty	Part No.	SP Description
1pc	4-084-806-01	o MANUAL, INSTRUCTION (JAPANESE,SIMPLIFIED CHINESE, ENGLISH,FRENCH,SPANISH,GERMAN,ITALIAN)
1pc	4-085-232-01	o CAP (CW), LENS
1pc	7-682-973-09	s SCREW +PSW 5X8

### Section 5 Block Diagrams







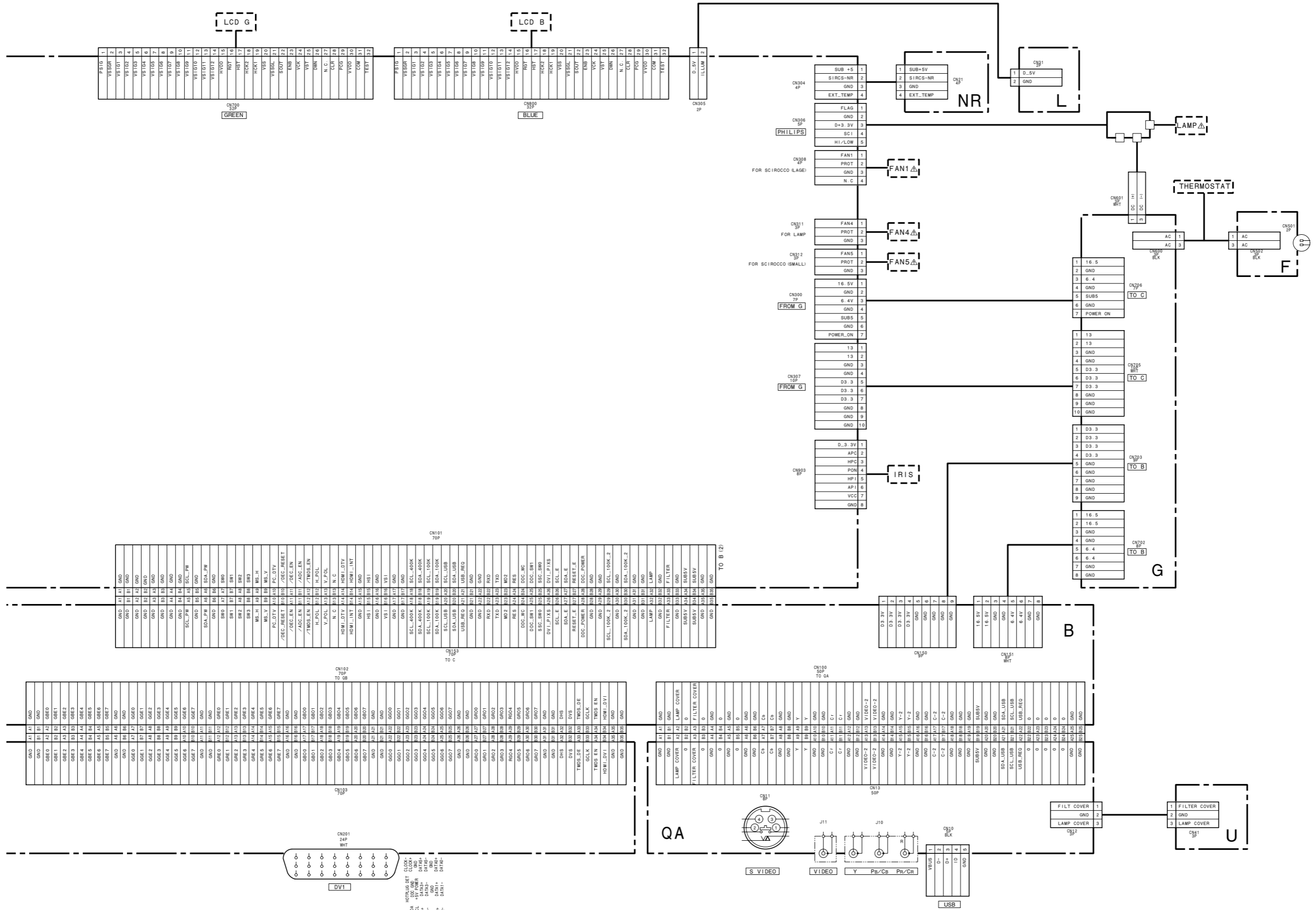


**Section 6**  
**Diagrams**





# Frame Wiring      Frame Wiring



VPL-HS20

I      J      K      L      M      N      O      P

1

2

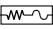
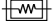
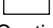
3

4

5

## 6-2. Schematic Diagrams and Board Layouts

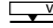
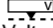
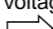
### Note:

- The parts marked “ # ” on schematic diagrams are not mounted.
- All capacitors are in  $\mu\text{F}$  unless otherwise noted. pF:  $\mu\text{F}$  50WV or less are not indicated except for electrolytics.
- All electrolytics are in 50 V unless otherwise specified.
-  : fusible resistor
-  : nonflammable resistor
-  : panel designation and adjustment for repair
- Caution when replacing chip parts  
New parts must be attached after removal of the chip.  
Be careful not to heat the minus side of a tantalum capacitor, because it is easily damaged by the heat.

### Reference information

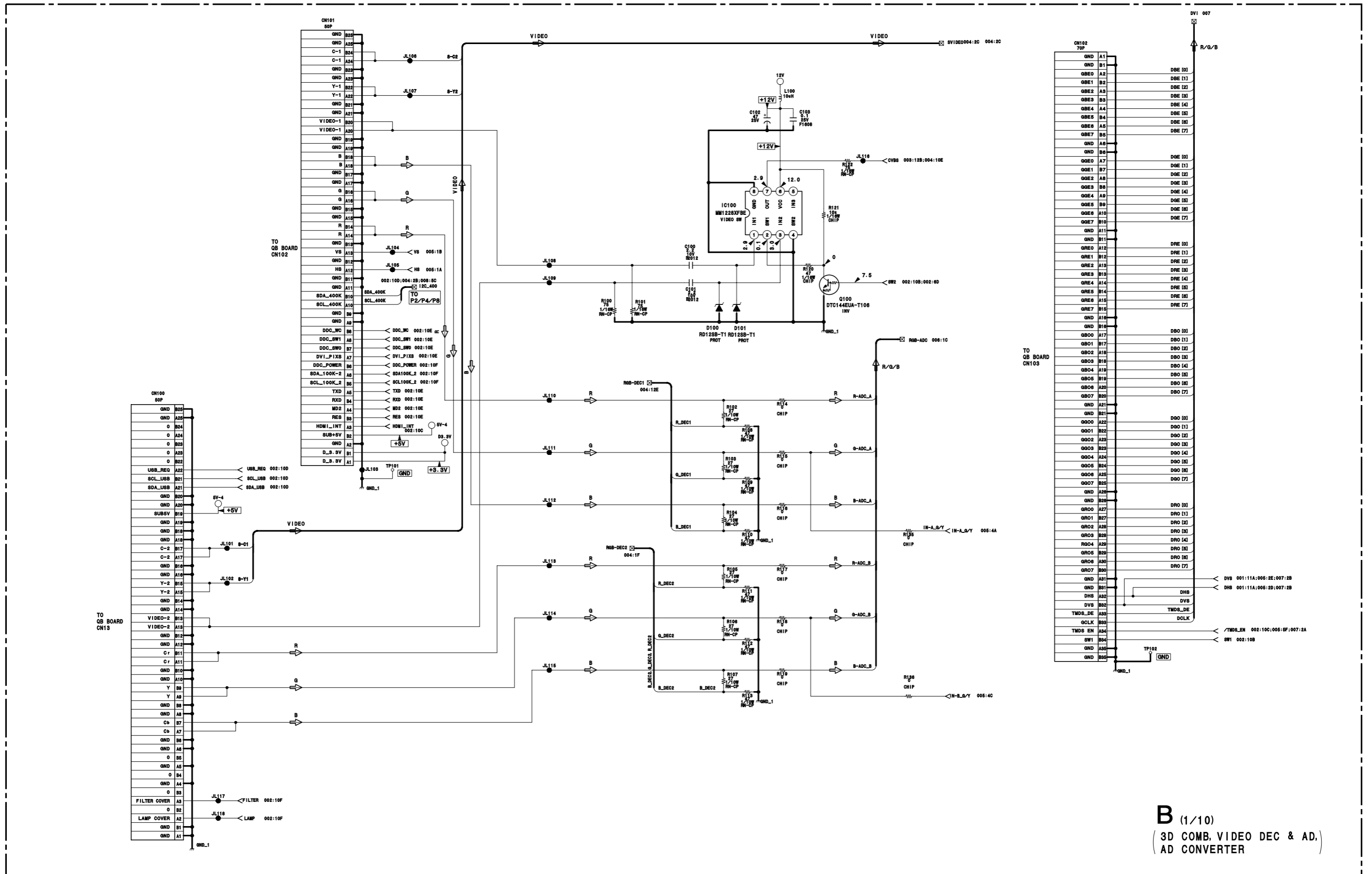
RESISTOR	RN	: METAL FILM
	RC	: SOLID
	FPRD	: NONFLAMMABLE CARBON
	FUSE	: NONFLAMMABLE FUSIBLE
	RS	: NONFLAMMABLE METAL OXIDE
	RB	: NONFLAMMABLE CEMENT
	RW	: NONFLAMMABLE WIREWOUND
	※	: ADJUSTMENT RESISTOR
COIL	LF-8L	: MICRO INDUCTOR
CAPACITOR	TA	: TANTALUM
	PS	: STYROL
	PP	: POLYPROPYLENE
	PT	: MYLAR
	MPS	: METALIZED POLYESTER
	MPP	: METALIZED POLYPROPYLENE
	ALB	: BIPOLAR
	ALT	: HIGH TEMPERATURE
ALR	: HIGH RIPPLE	

### [Measuring conditions, voltage and waveform]

- A voltage value is the reference value between the measurement point and the earth, when the RGB color bar signal is received from the color bar generator (digital multi-meter used: 10 M ohms/ V DC).
- Unit of voltage is V (volt).
-  : B+line
-  : B- line
- Voltage variations may occur due to normal production tolerances.
-  : Signal path.

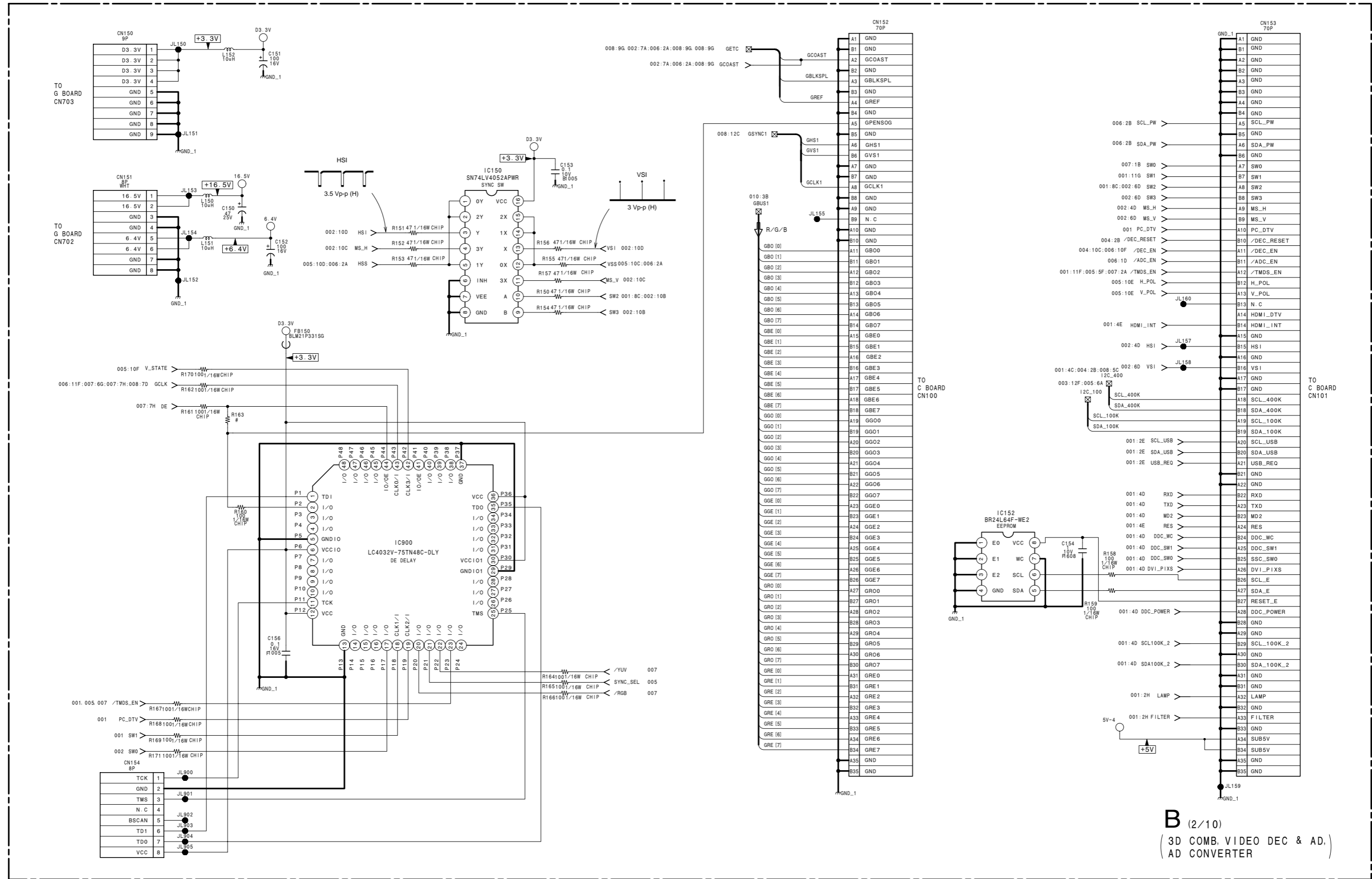
The components identified marked  $\Delta$  are critical for safety.  
Replace only with the part number specified.

Les composants identifiés par une marque  $\Delta$  sont critiques pour la sécurité.  
Ne les remplacer que par une pièce portant le numéro spécifié.

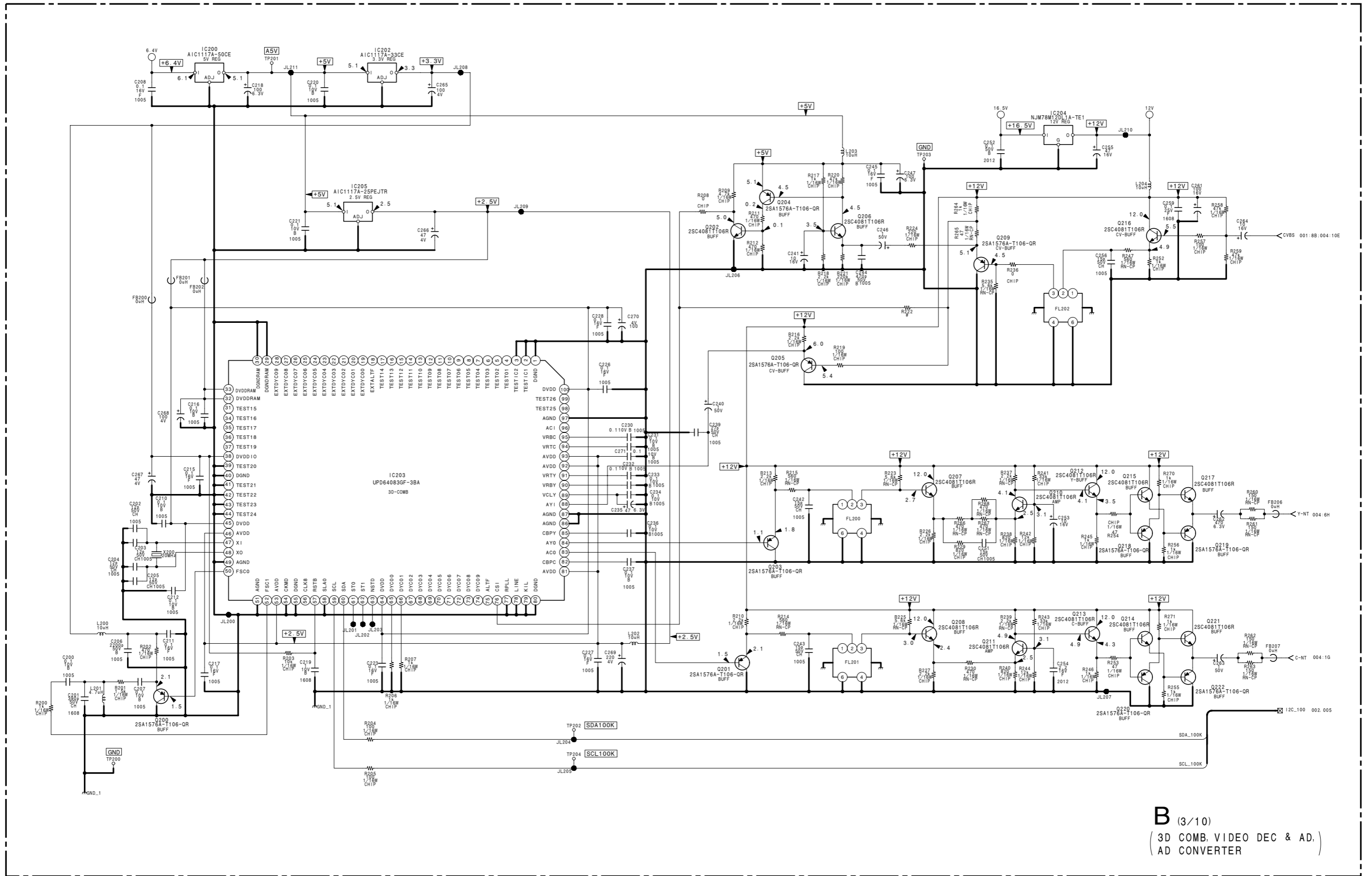


B (1/10)  
(3D COMB. VIDEO DEC & AD,  
AD CONVERTER)

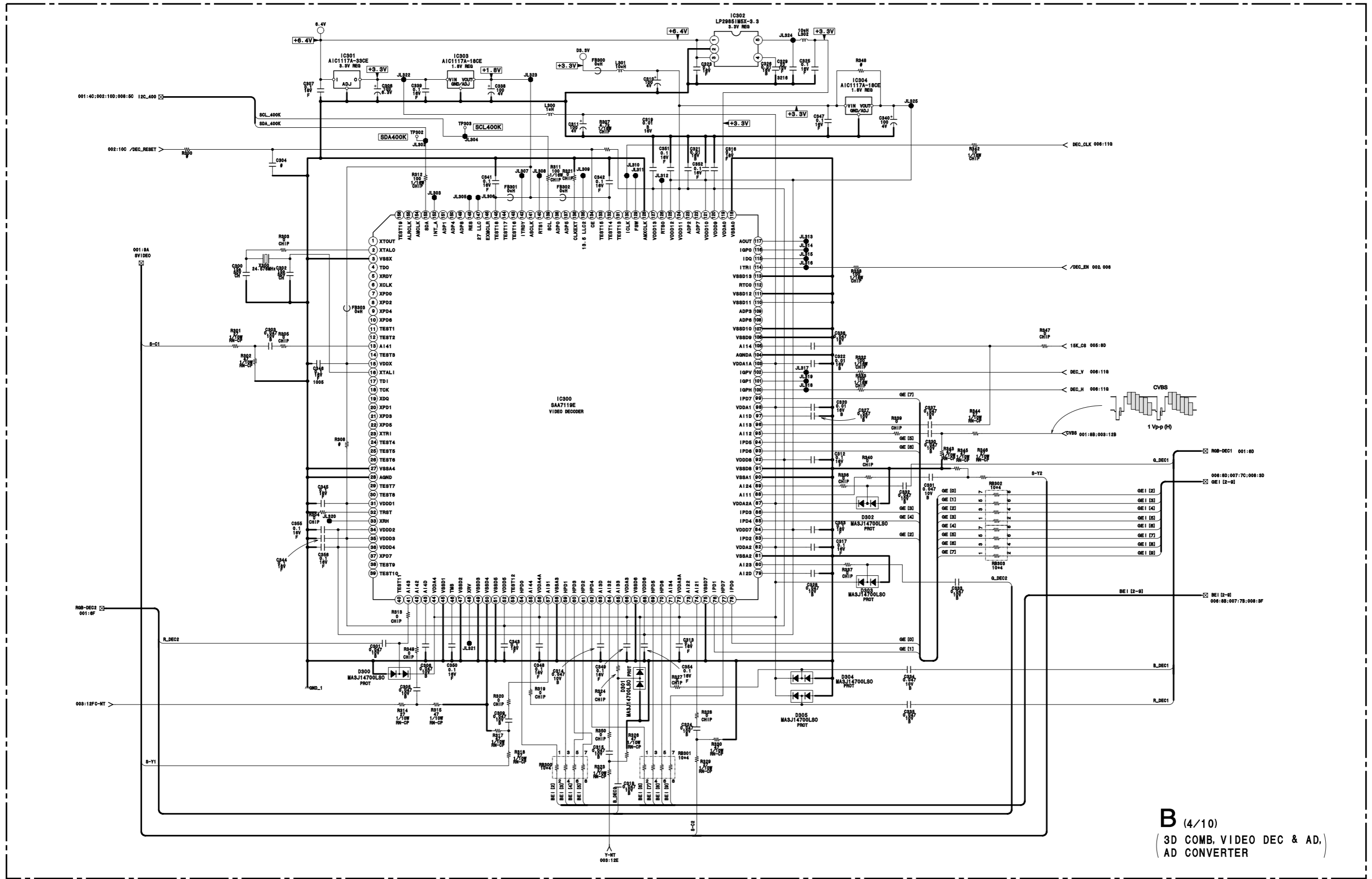
1  
2  
3  
4  
5



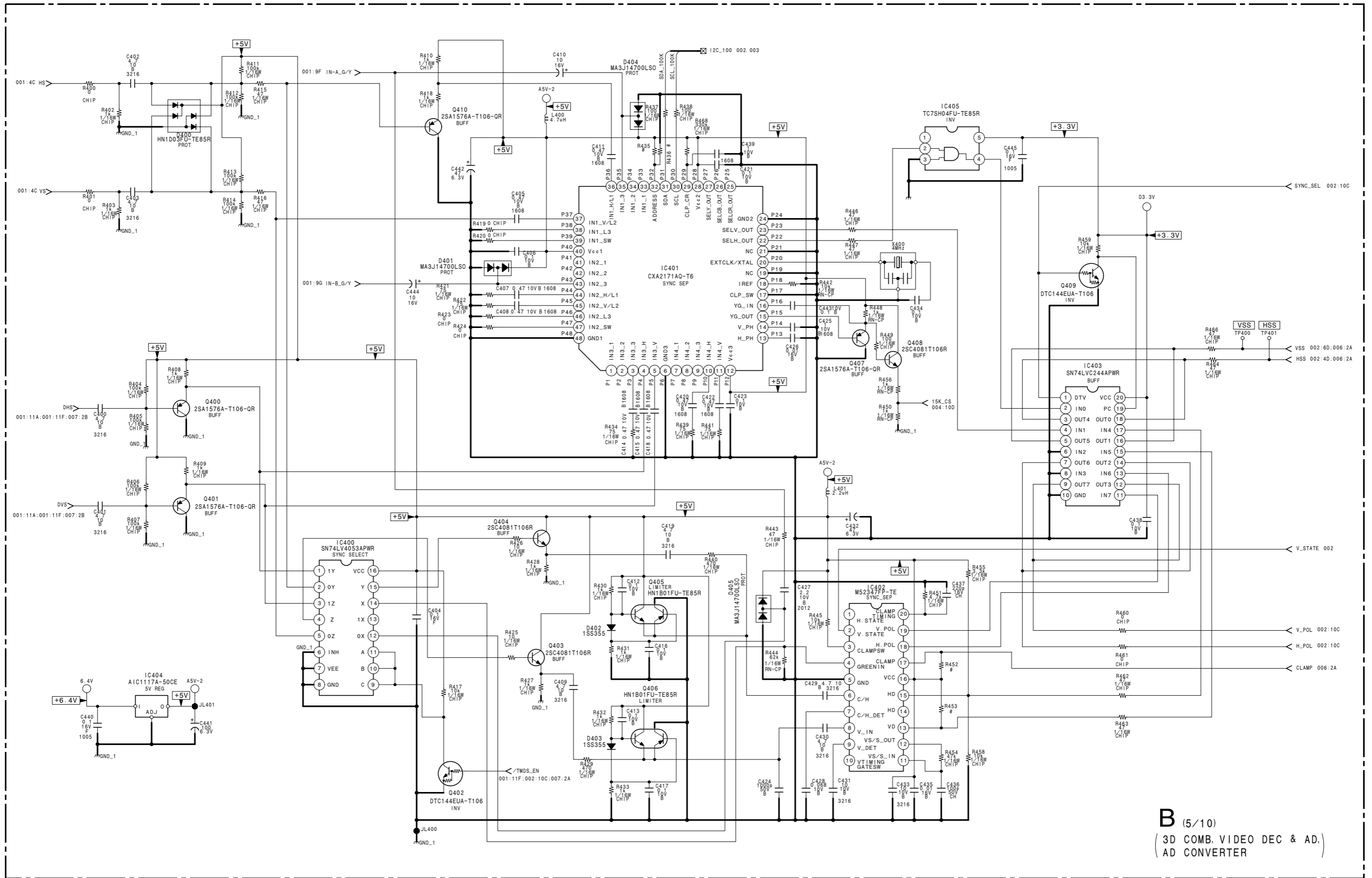
**B (2/10)**  
 (3D COMB. VIDEO DEC & AD.)  
 AD CONVERTER



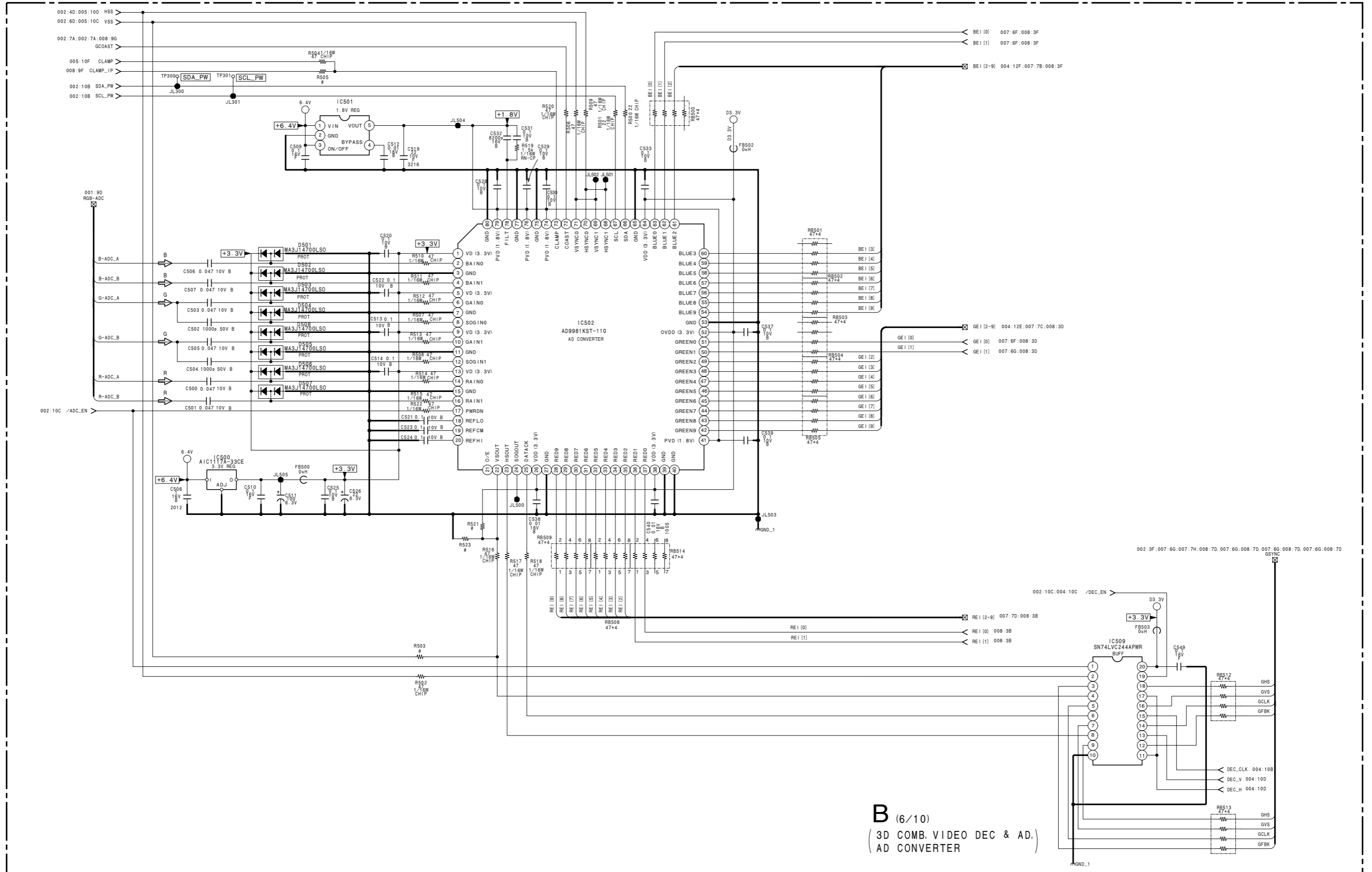
**B (3/10)**  
 (3D COMB. VIDEO DEC & AD.)  
 AD CONVERTER



B (4/10)  
3D COMB. VIDEO DEC & AD,  
AD CONVERTER

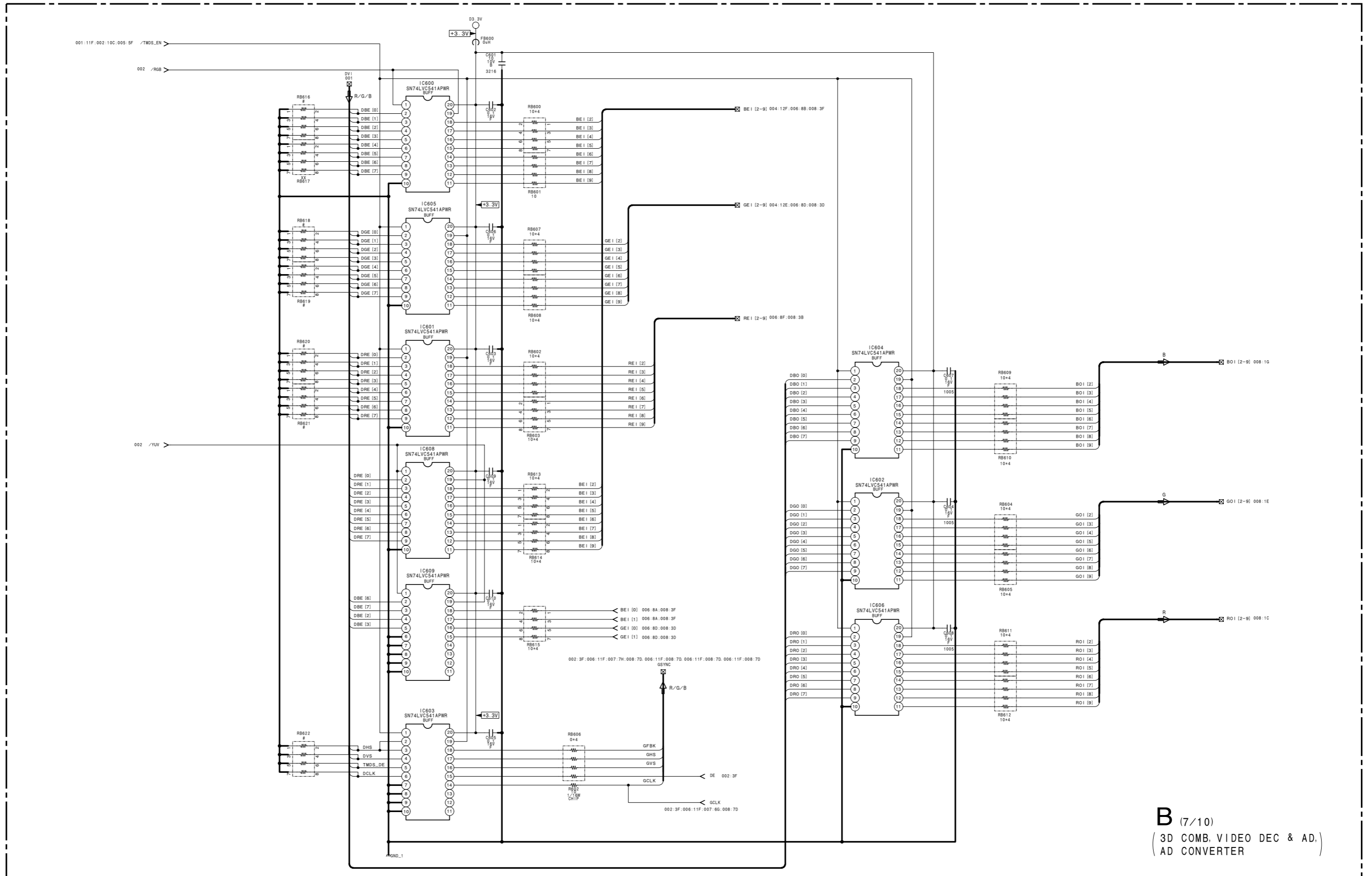


**B (5/10)**  
 (3D COMB. VIDEO DEC & AD)  
 AD CONVERTER



B (6/10)  
(3D COMB. VIDEO DEC & AD.)  
AD CONVERTER





B (7/10)  
(3D COMB. VIDEO DEC & AD,  
AD CONVERTER)

1

2

3

4

5

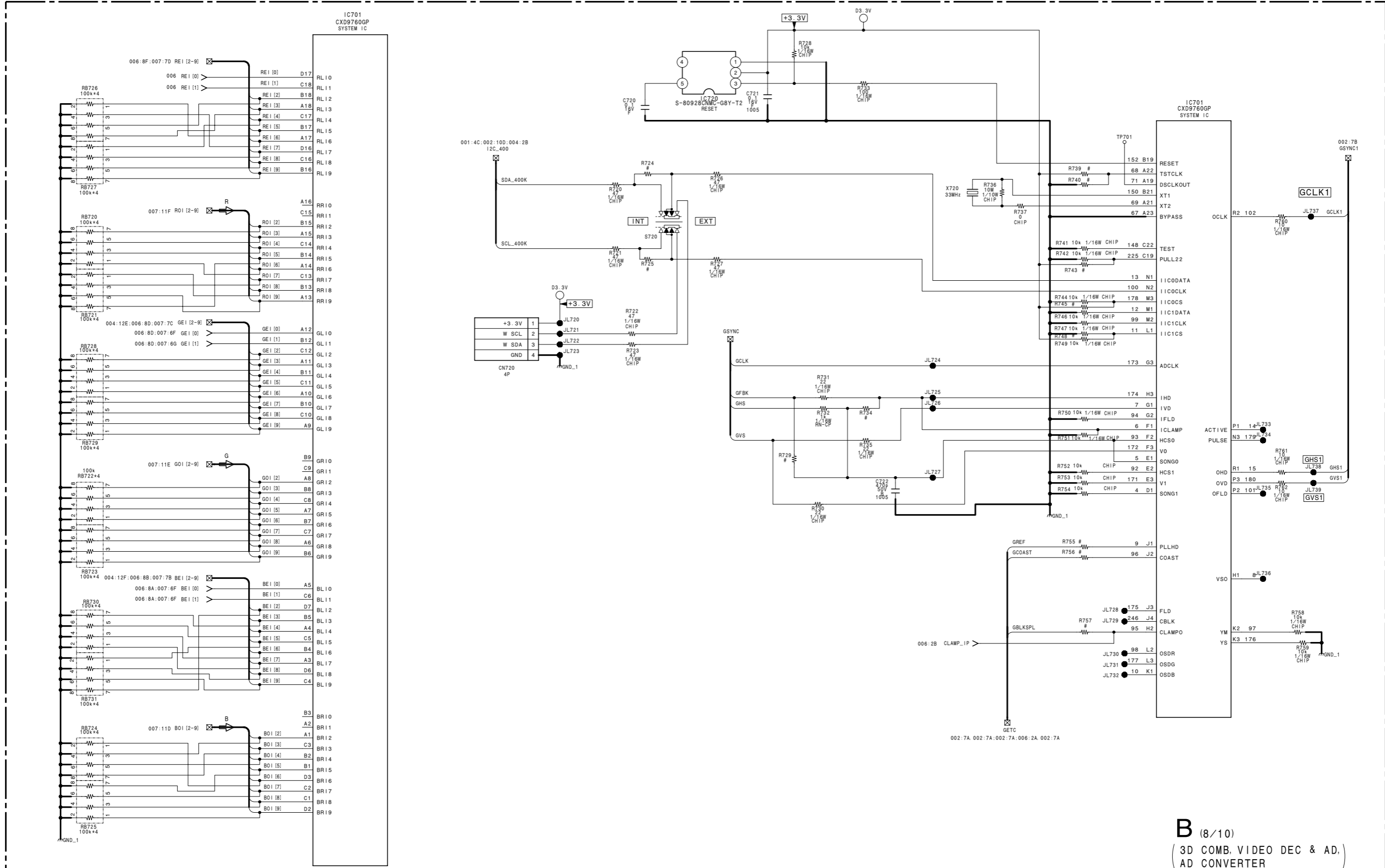
1

2

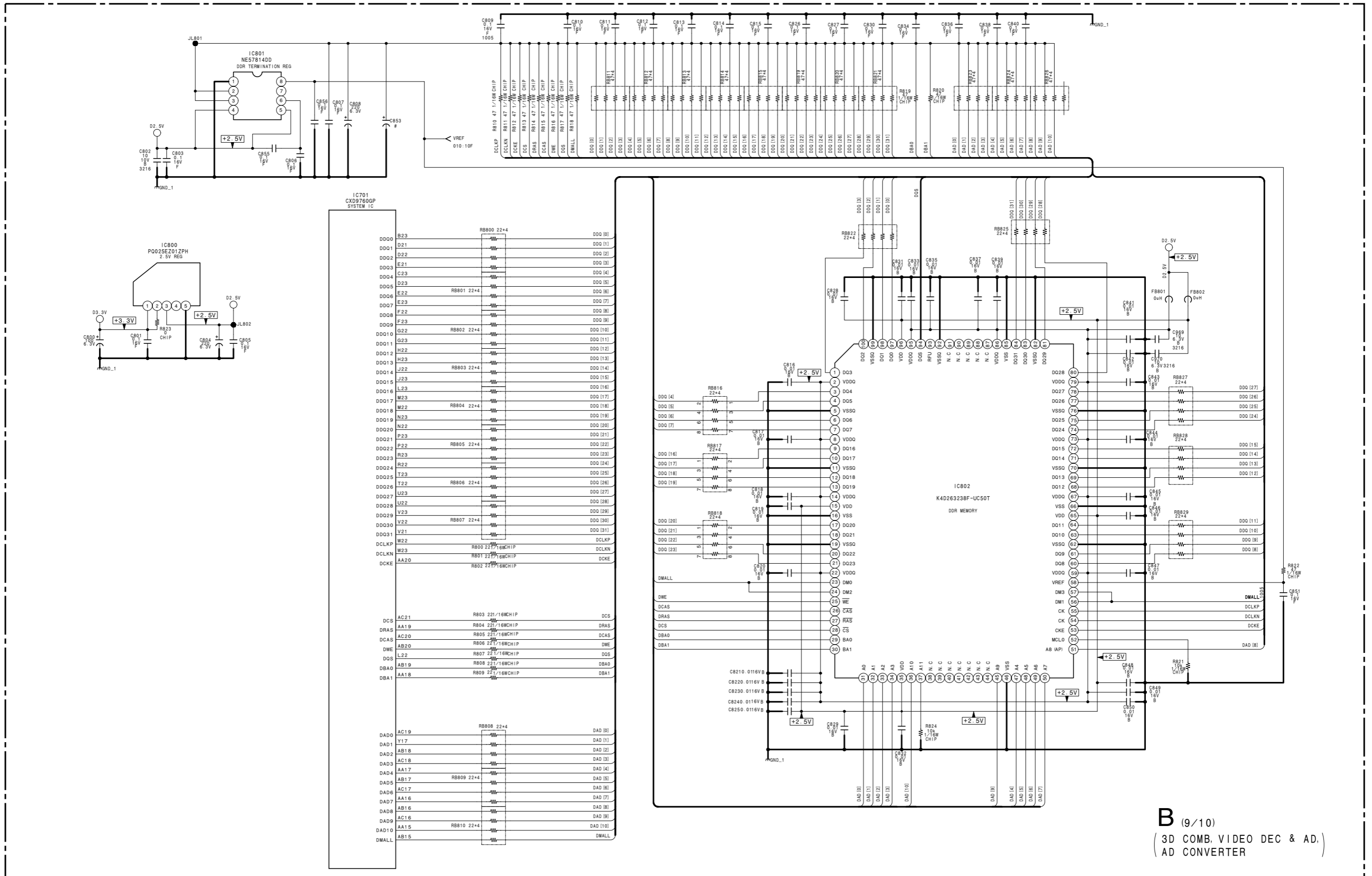
3

4

5



**B** (8/10)  
 (3D COMB. VIDEO DEC & AD.)  
 AD CONVERTER



B (9/10)  
(3D COMB. VIDEO DEC & AD,  
AD CONVERTER)

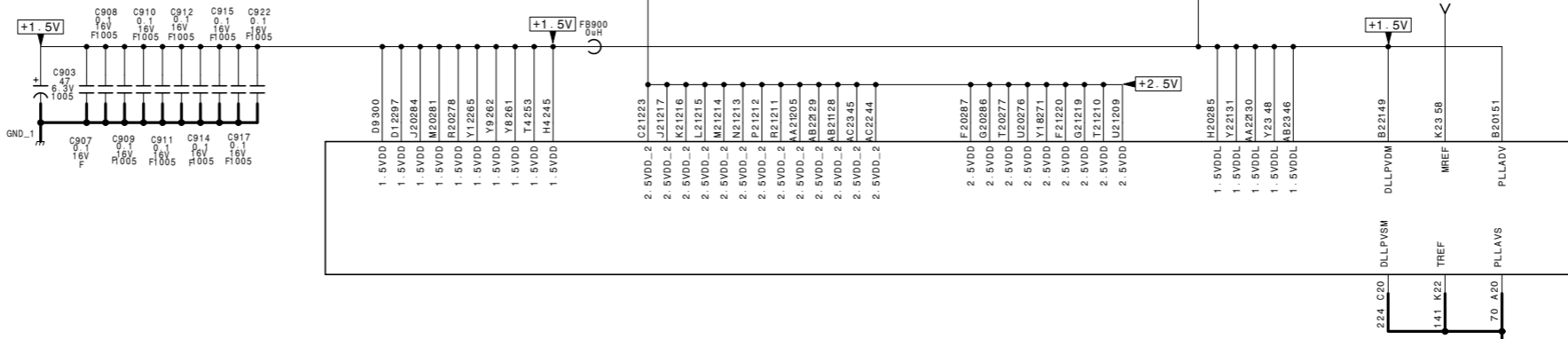
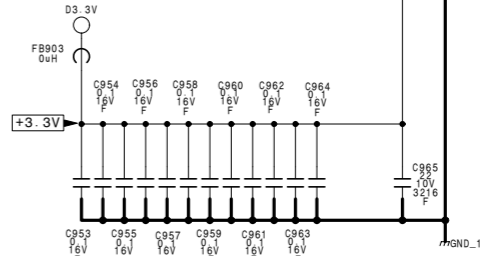
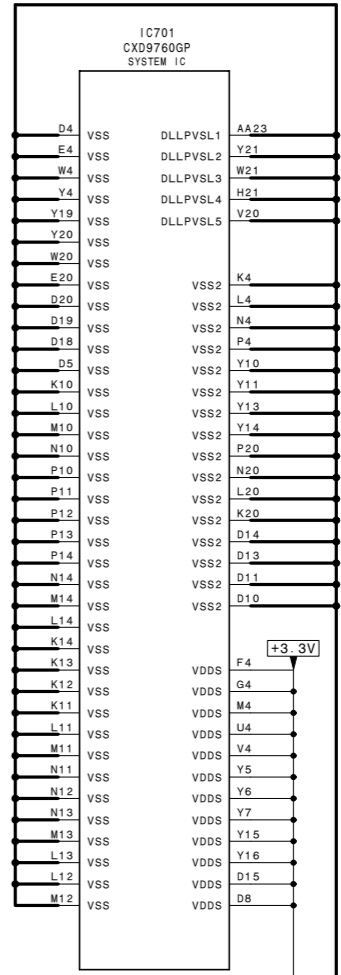
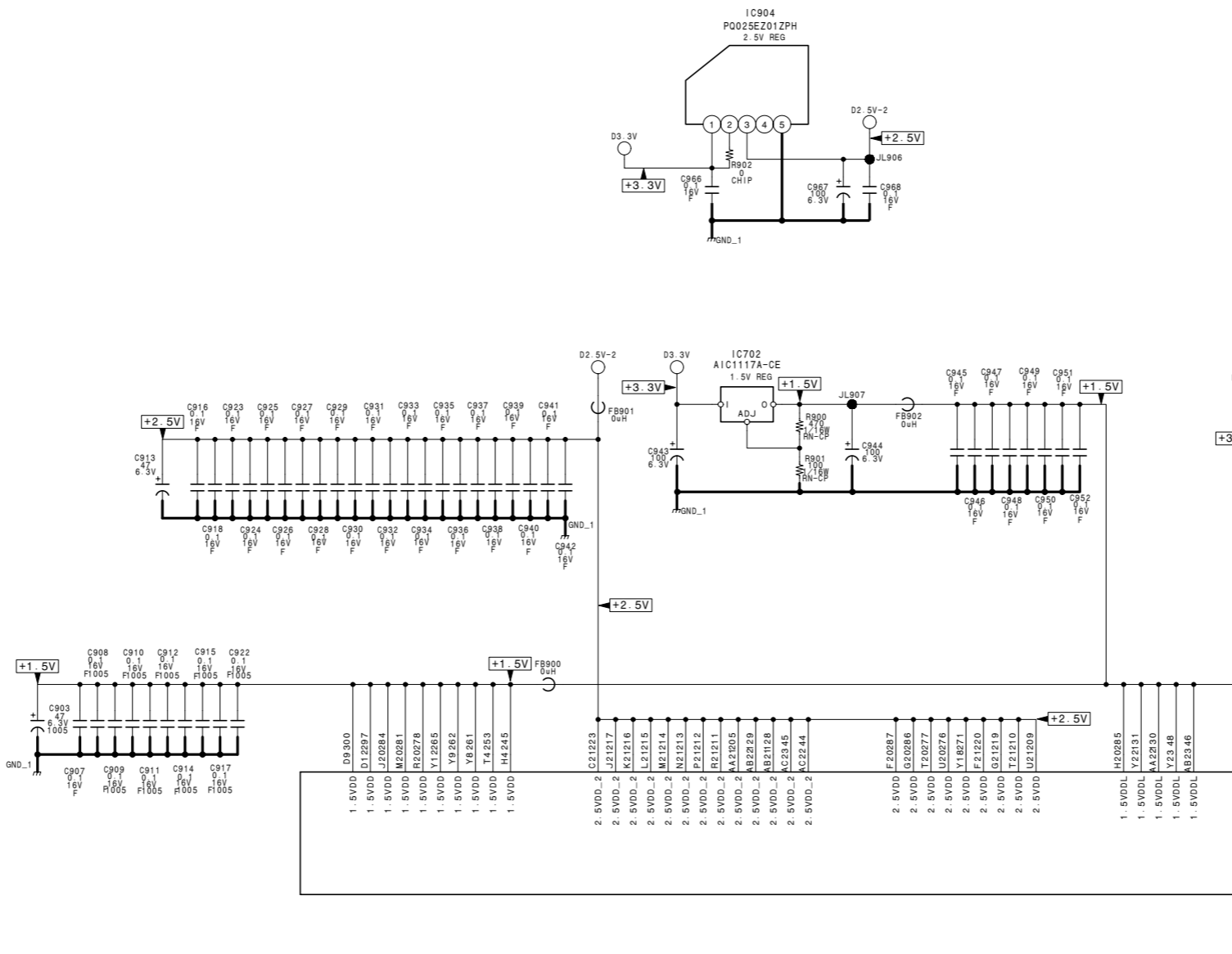
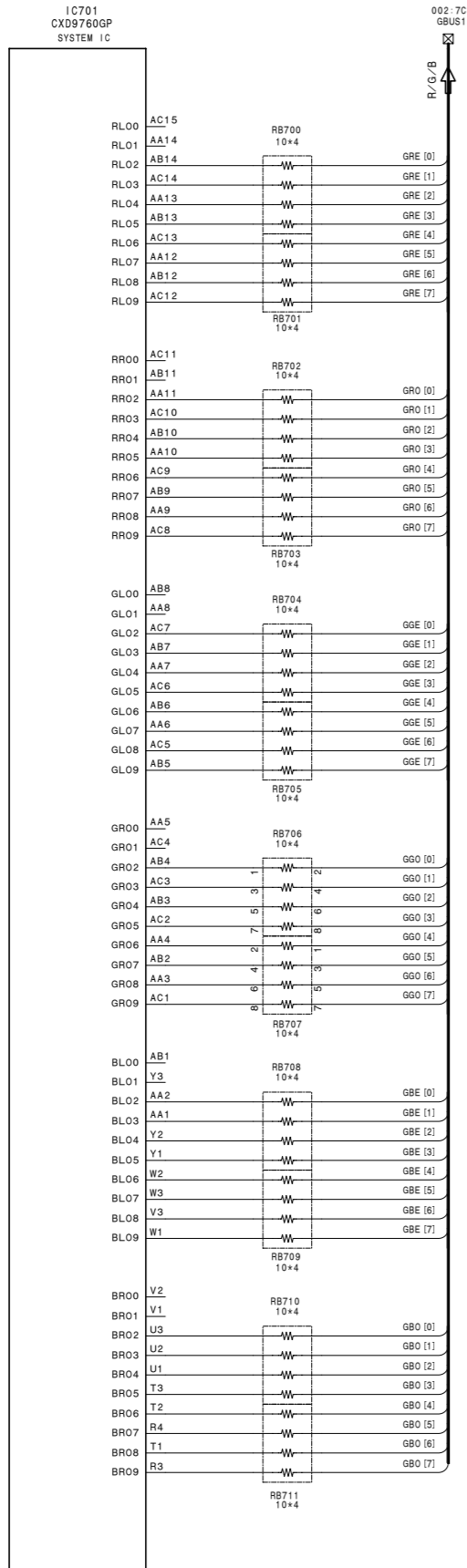
1

2

3

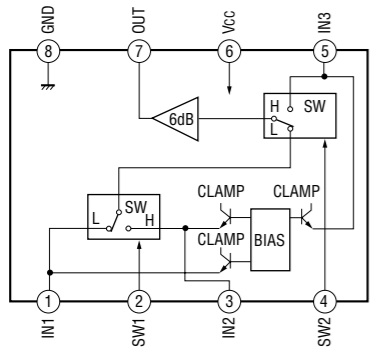
4

5

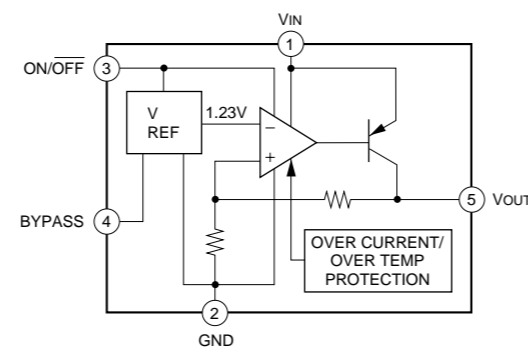


B (10/10)  
 (3D COMB. VIDEO DEC & AD.)  
 AD CONVERTER

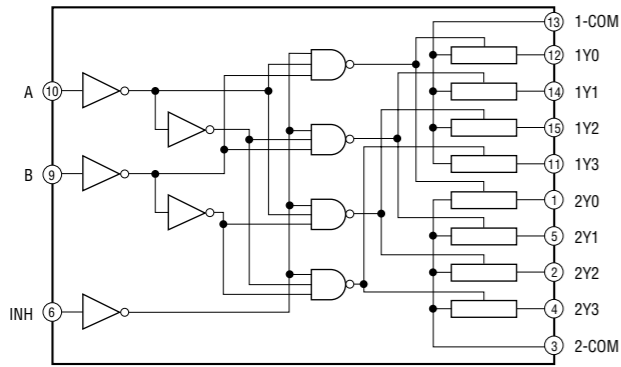
**B (1/10) MM1228XFBE (IC100)**



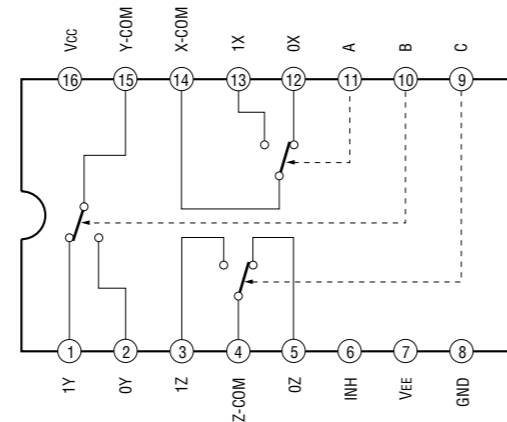
**B (4/10) LP2985IM5X-3.3 (IC302)**  
**B (6/10) LP2985IM5X-3.3 (IC501)**



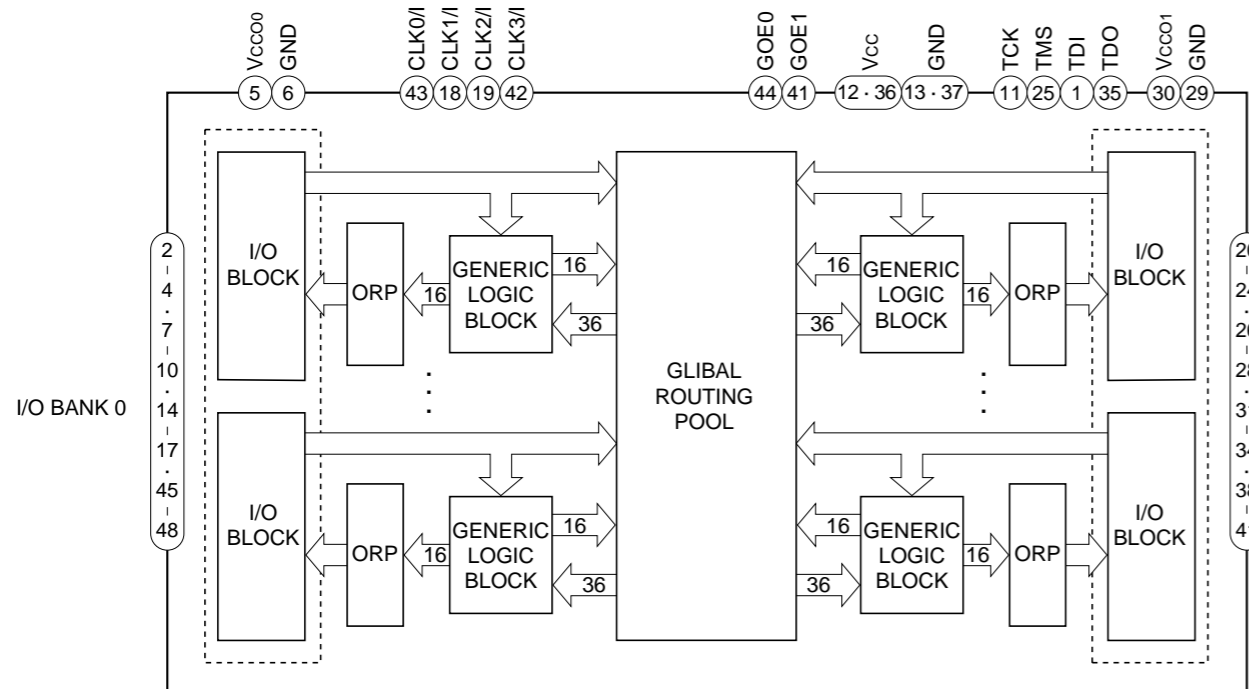
**B (2/10) SN74LV4052APWR (IC150)**



**B (5/10) SN74LV4053APWR (IC400)**

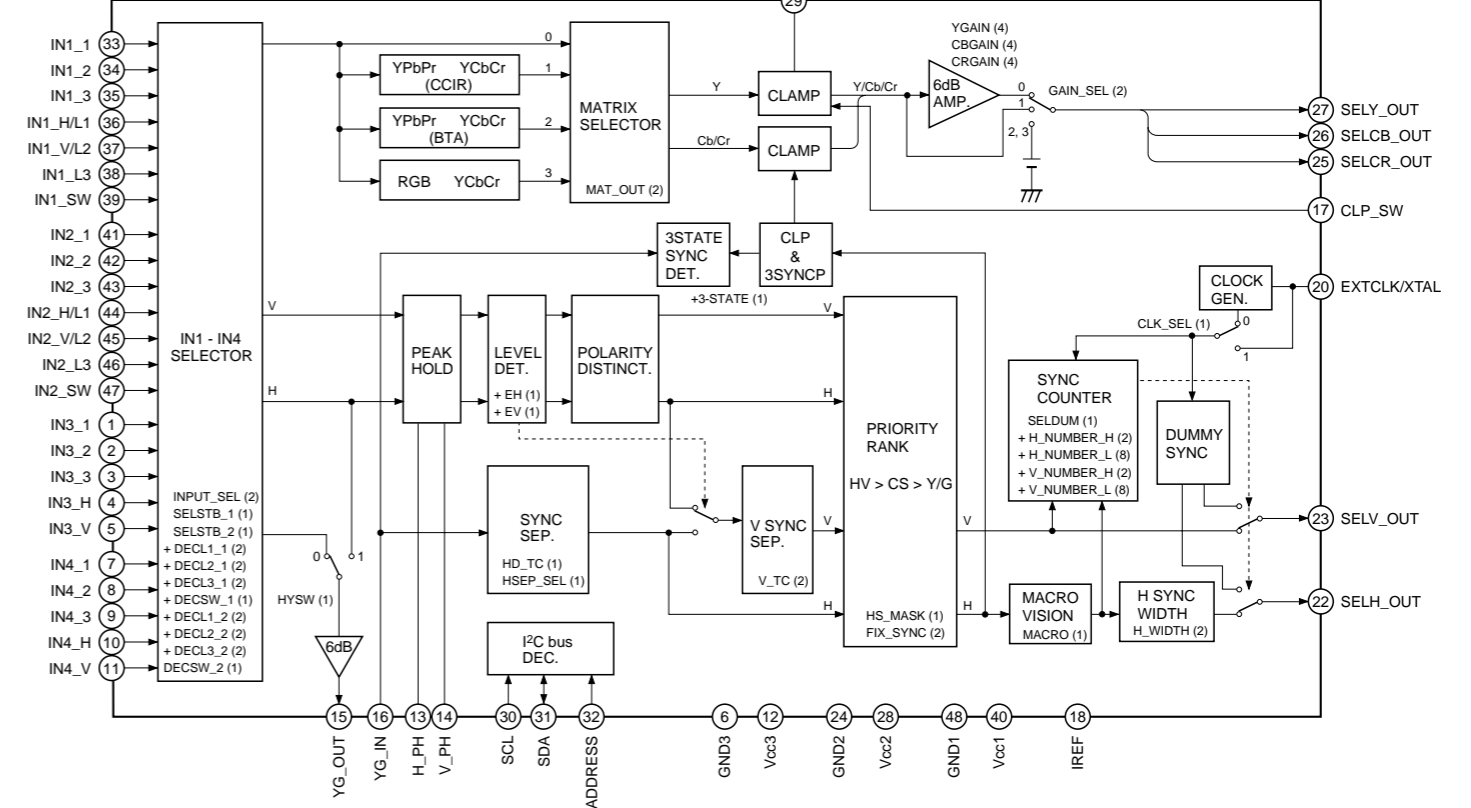


**B (2/10) LC4032V-75TN48C-DLY (IC900)**

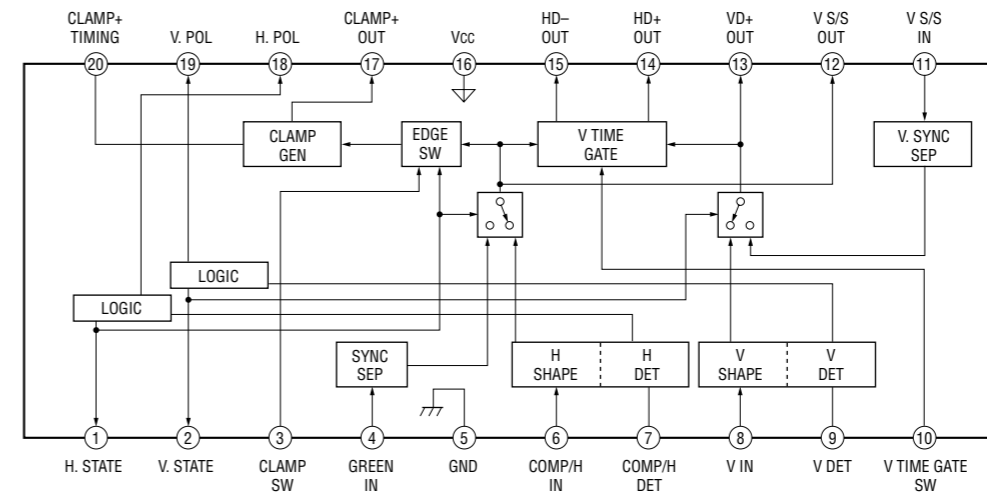


**B B**

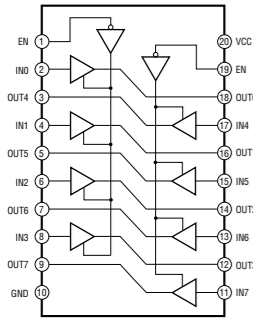
**B (5/10) CXA2171AQ-T6 (IC401)**



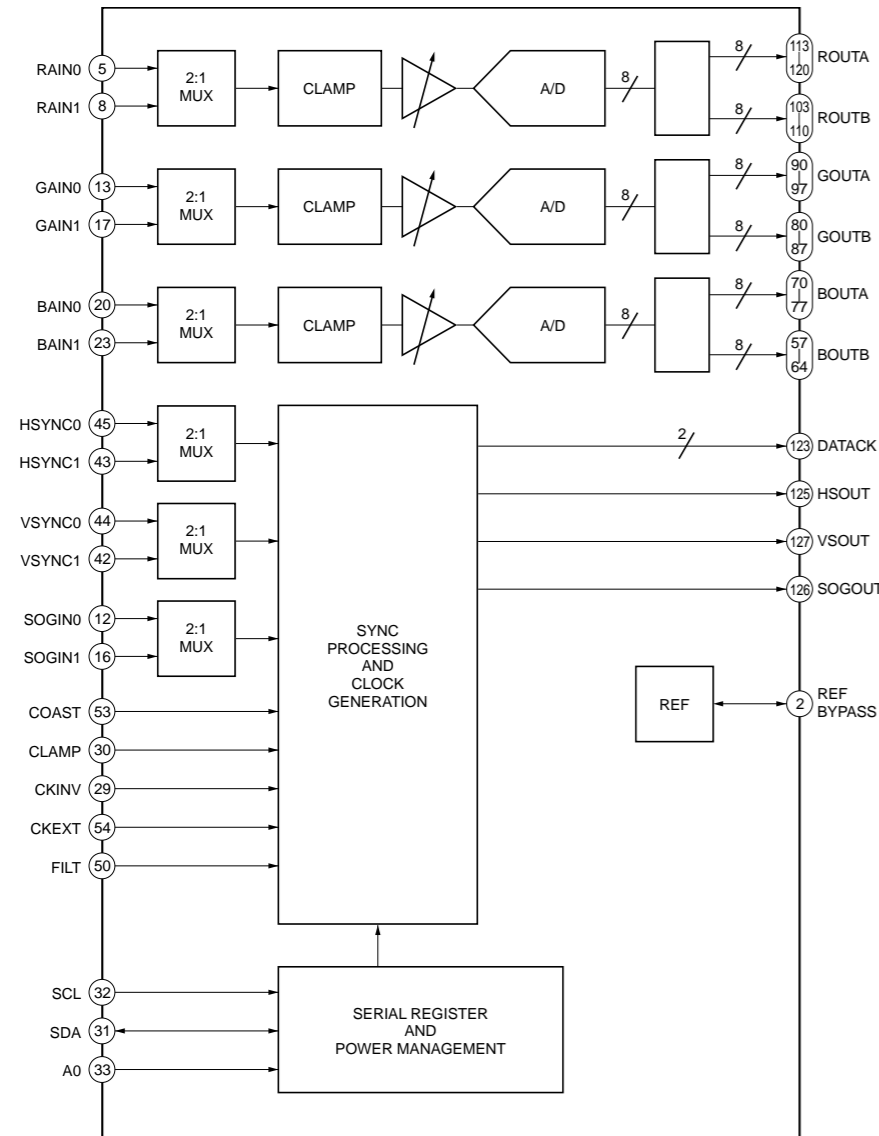
**B (5/10) M52347FP-TE (IC402)**



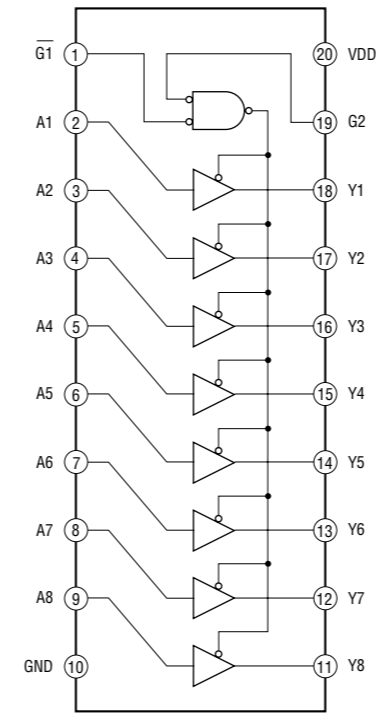
**B (5/10) SN74LV244APWR (IC403)**  
**B (6/10) SN74LV244APWR (IC509)**



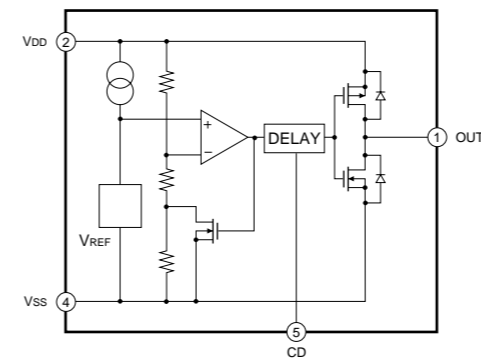
**B (6/10) AD9888K-110 (IC502)**



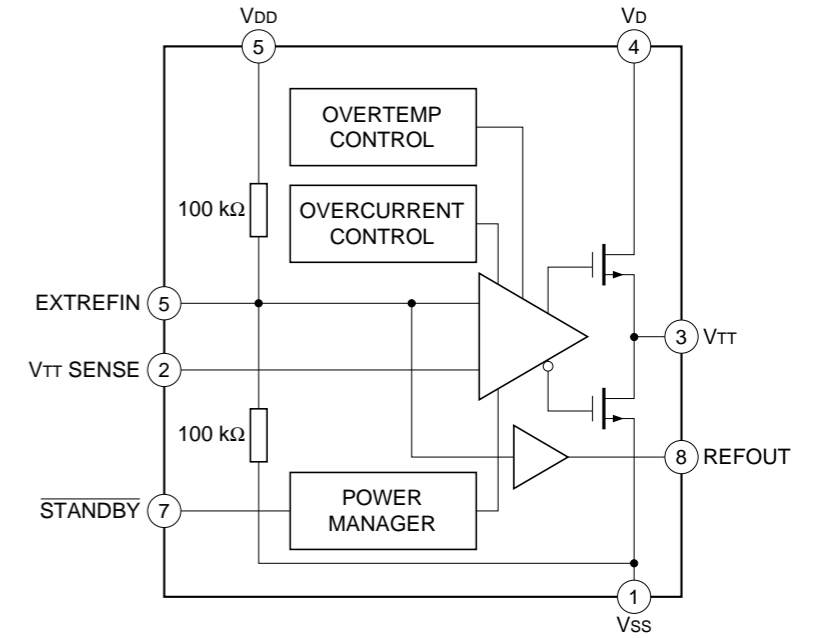
**B (7/10) SN74LVC541APWR (IC600-606, 608,609)**



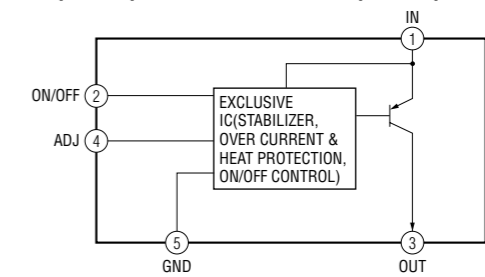
**B (8/10) S-80928CNMC-G8YT2G (IC720)**



**B (9/10) NE57814DD (IC801)**



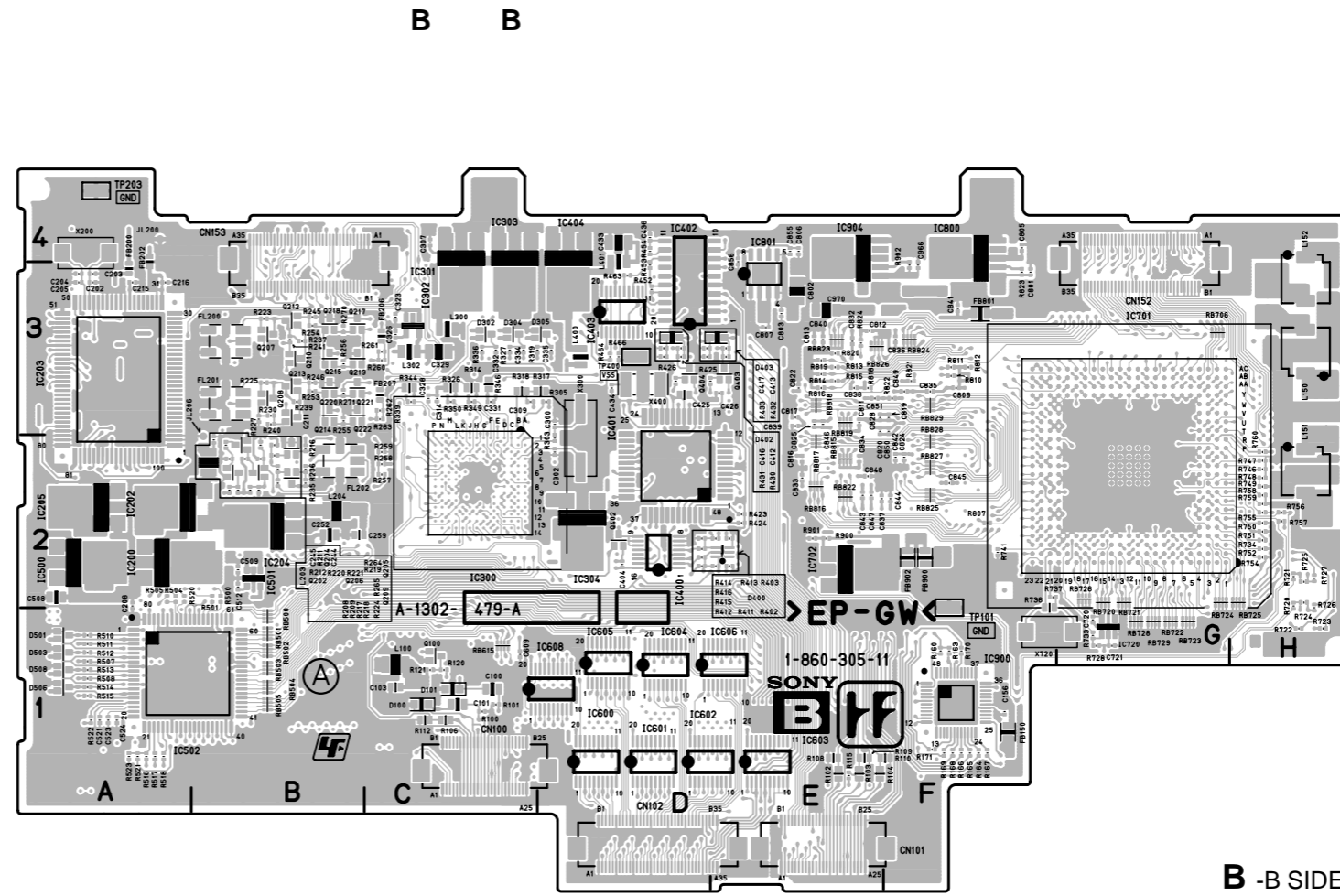
**B (9/10) PQ025EZ01ZPH (IC800)**  
**B (10/10) PQ025EZ01ZPH (IC904)**



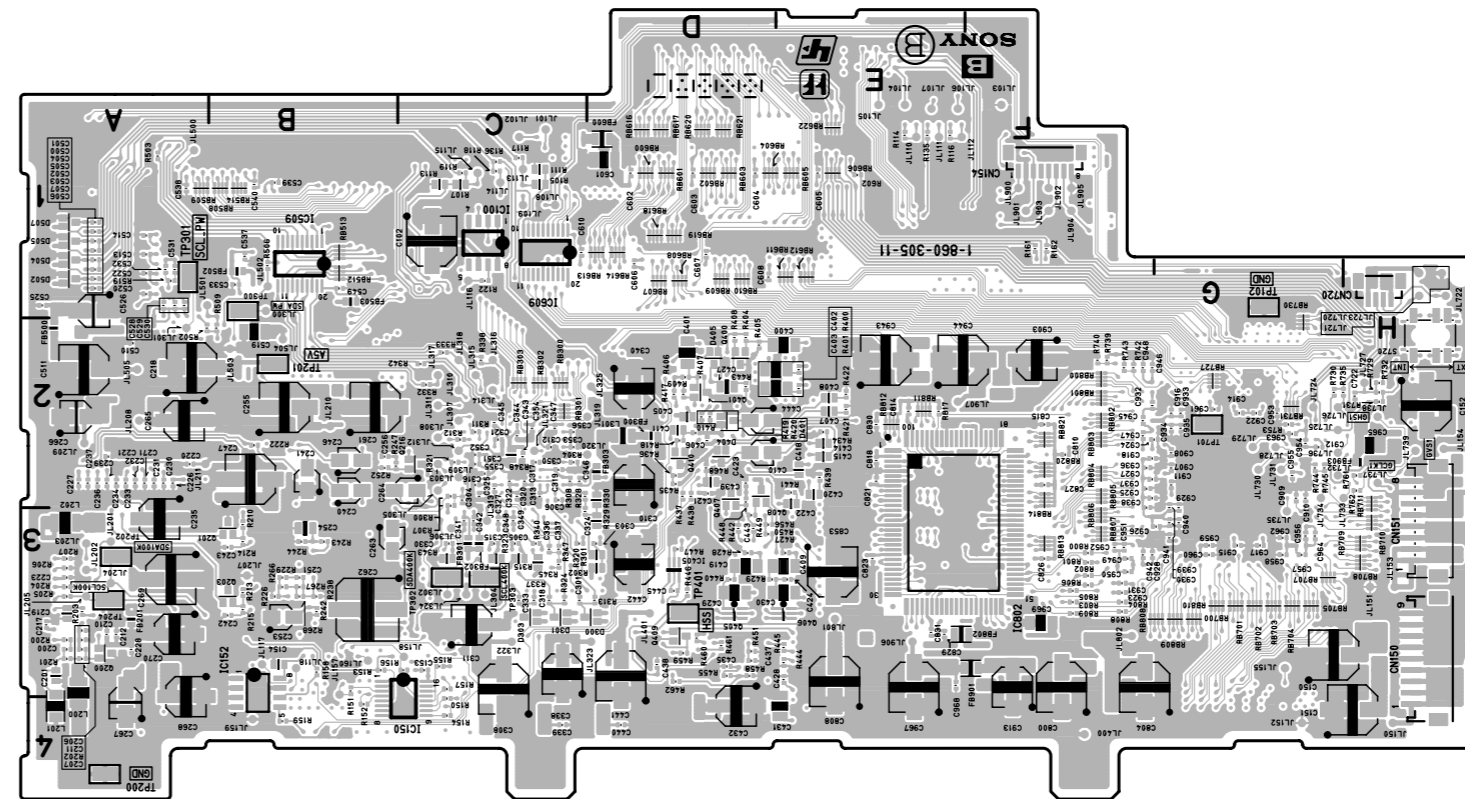
B Board

\*:B SIDE

D100	C-1	IC600	D-1	Q403	E-3
D101	C-1	IC601	D-1	Q404	D-3
D300	*D-3	IC602	D-1	Q405	*D-3
D301	*C-3	IC603	E-1	Q406	*E-3
D302	C-3	IC604	D-1	Q407	*D-2
D303	*C-3	IC605	D-1	Q408	*E-3
D304	C-3	IC606	E-1	Q409	*D-3
D305	C-3	IC608	D-1	Q410	*D-2
D400	E-2	IC609	*C-1	TP101	F-1
D401	*D-2	IC701	G-3	TP102	*G-1
D402	D-3	IC702	E-2	TP200	*A-4
D403	E-3	IC720	G-1	TP201	*B-2
D404	*D-2	IC800	F-4	TP202	*A-3
D405	*D-2	IC801	E-3	TP203	A-4
D501	A-1	IC802	*F-3	TP204	*A-3
D502	*A-1	IC900	F-1	TP300	*B-1
D503	A-1	IC904	E-3	TP301	*A-1
D504	*A-1			TP302	*C-3
D505	*A-1	Q100	C-1	TP303	*C-3
D506	A-1	Q200	*A-3	TP400	D-3
D507	*A-1	Q201	*B-3	TP401	*D-3
D508	A-1	Q202	B-2	TP701	*G-2
		Q203	*B-3		
IC100	*C-1	Q204	B-2		
IC150	*C-4	Q205	B-2		
IC152	*B-3	Q206	B-2		
IC200	A-2	Q207	B-3		
IC202	A-2	Q208	B-3		
IC203	A-3	Q209	B-2		
IC204	B-2	Q210	B-3		
IC205	A-2	Q211	B-3		
IC301	C-4	Q212	B-3		
IC302	C-3	Q213	B-3		
IC303	C-4	Q214	B-3		
IC304	D-2	Q215	B-3		
IC400	D-2	Q216	*C-2		
IC401	D-2	Q217	B-3		
IC402	D-4	Q218	B-3		
IC403	D-4	Q219	B-3		
IC404	D-3	Q220	B-3		
IC405	*D-3	Q221	B-3		
IC500	A-2	Q222	B-3		
IC501	B-2	Q400	*D-2		
IC502	A-1	Q401	*D-2		
IC509	*B-1	Q402	D-2		



B - B SIDE-  
SUFFIX: -11



B - A SIDE-  
SUFFIX: -11

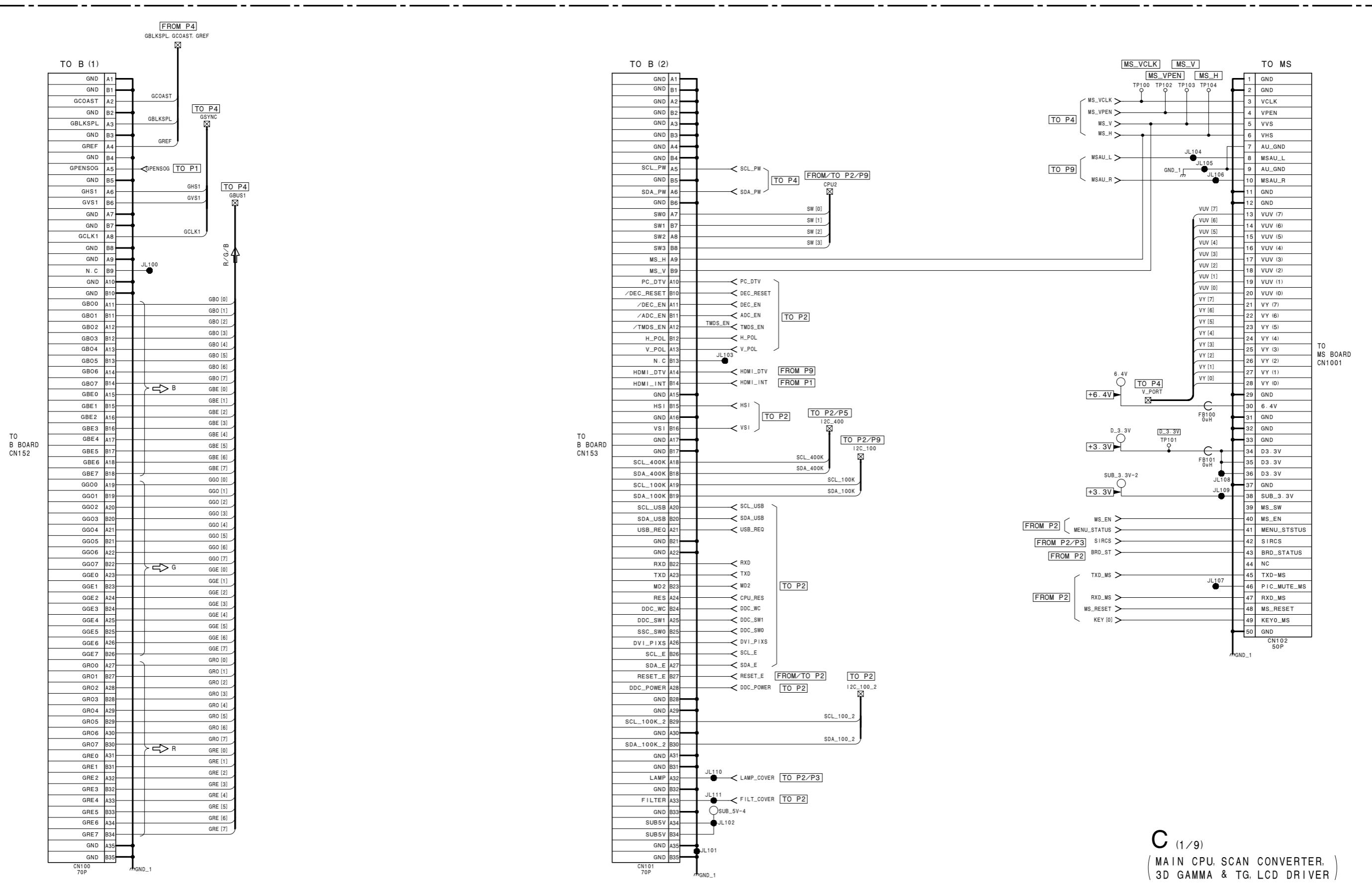
1

2

3

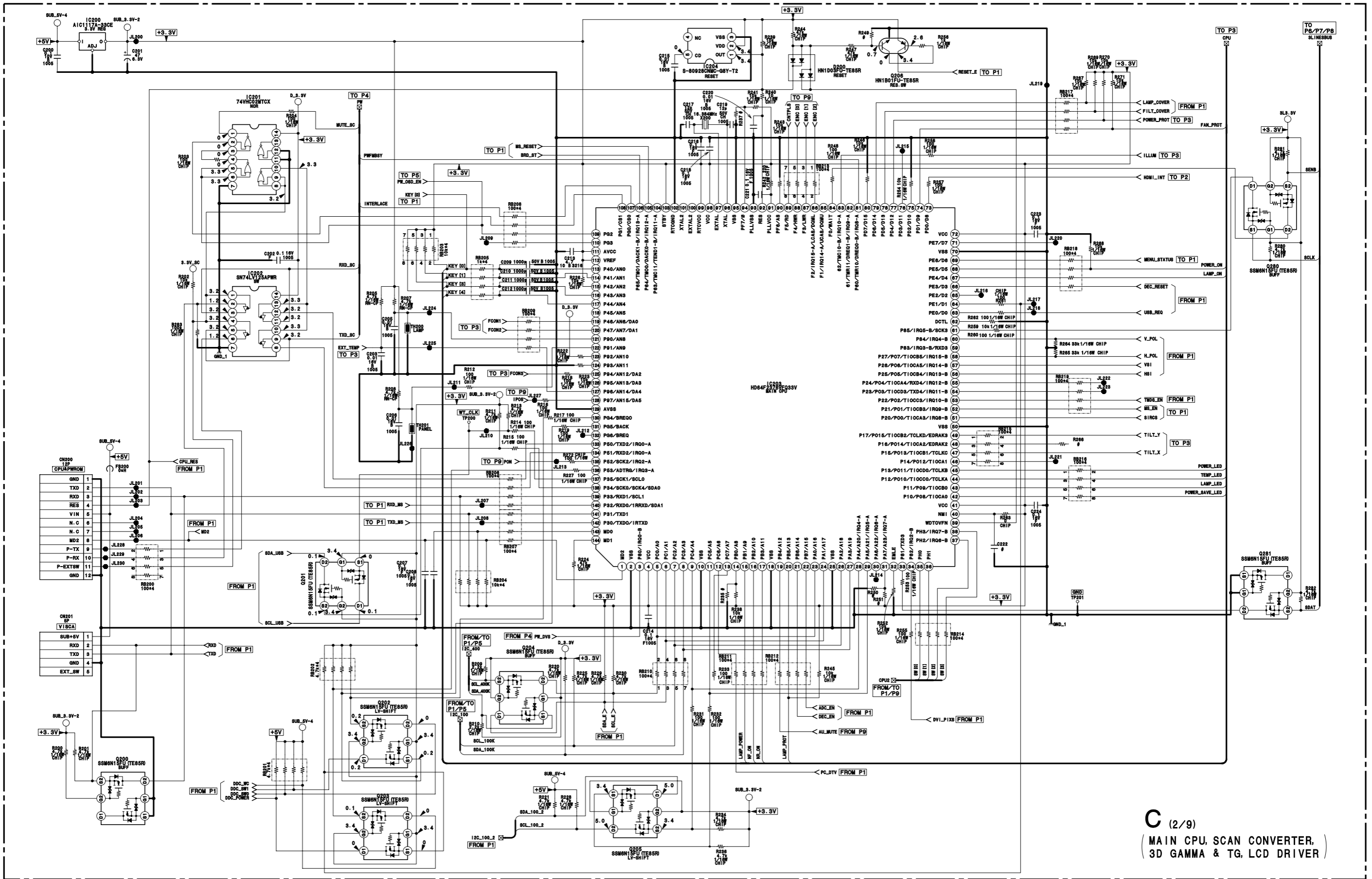
4

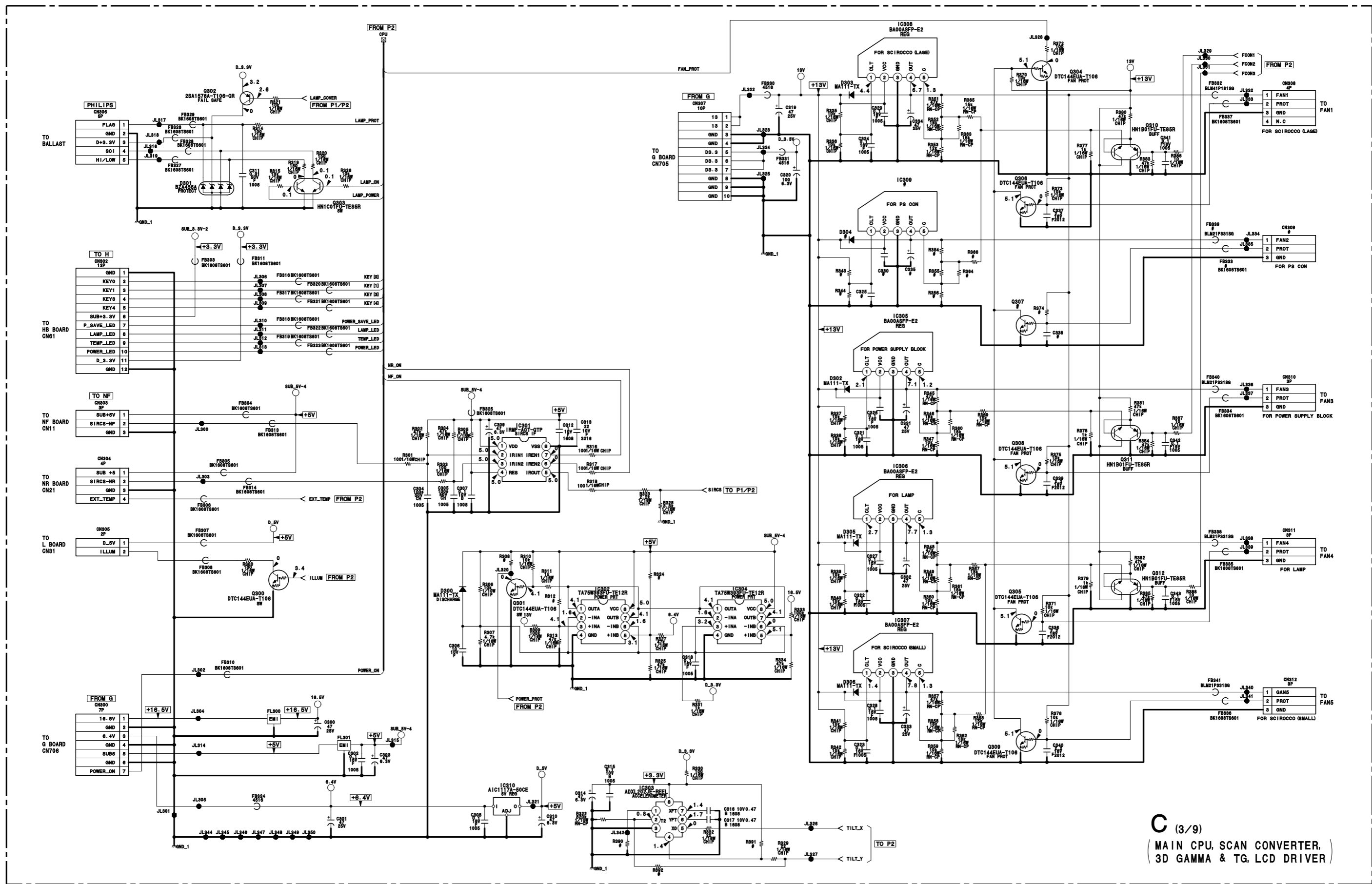
5



C (1/9)  
 (MAIN CPU, SCAN CONVERTER,  
 3D GAMMA & TG, LCD DRIVER)

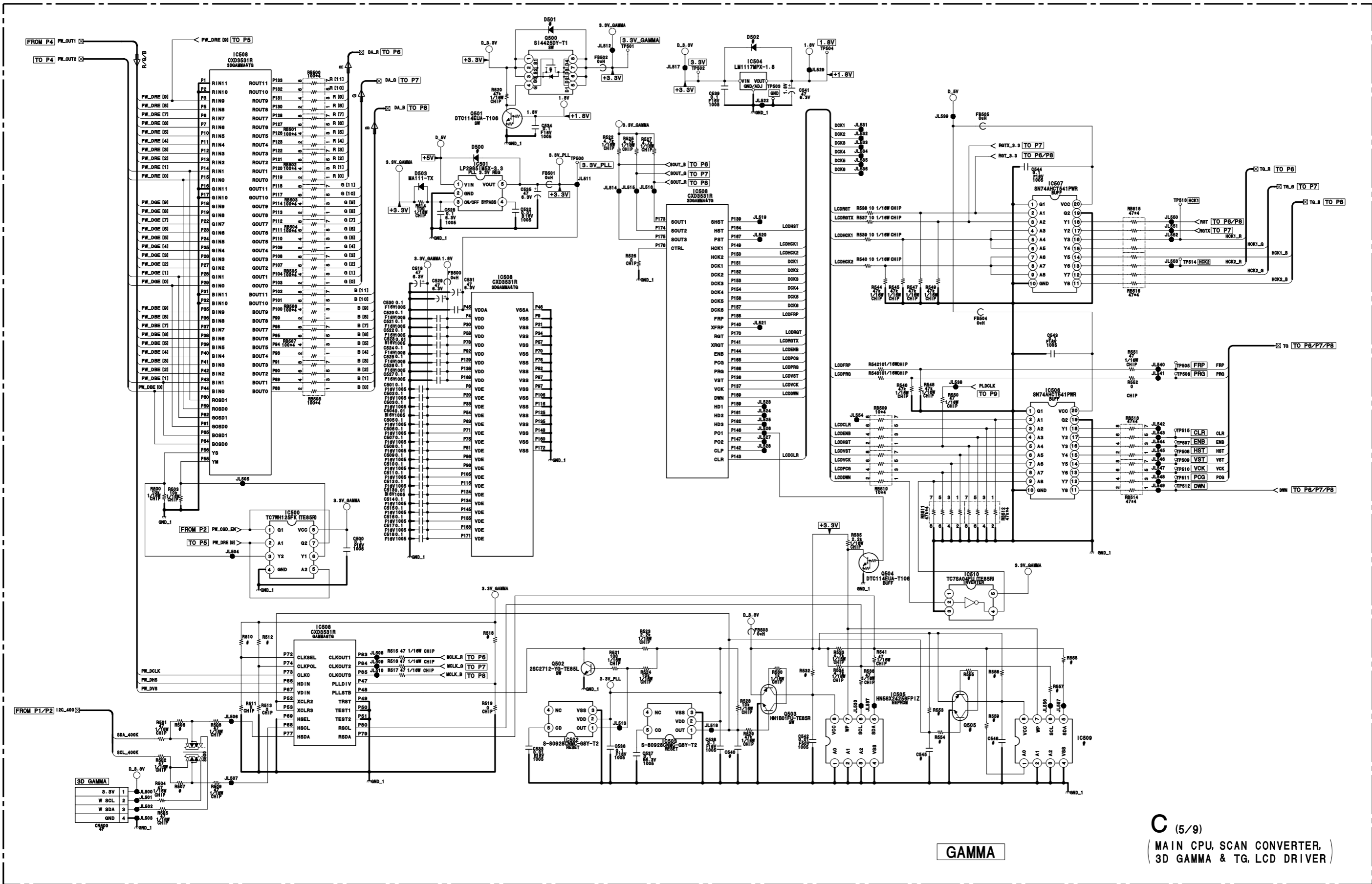






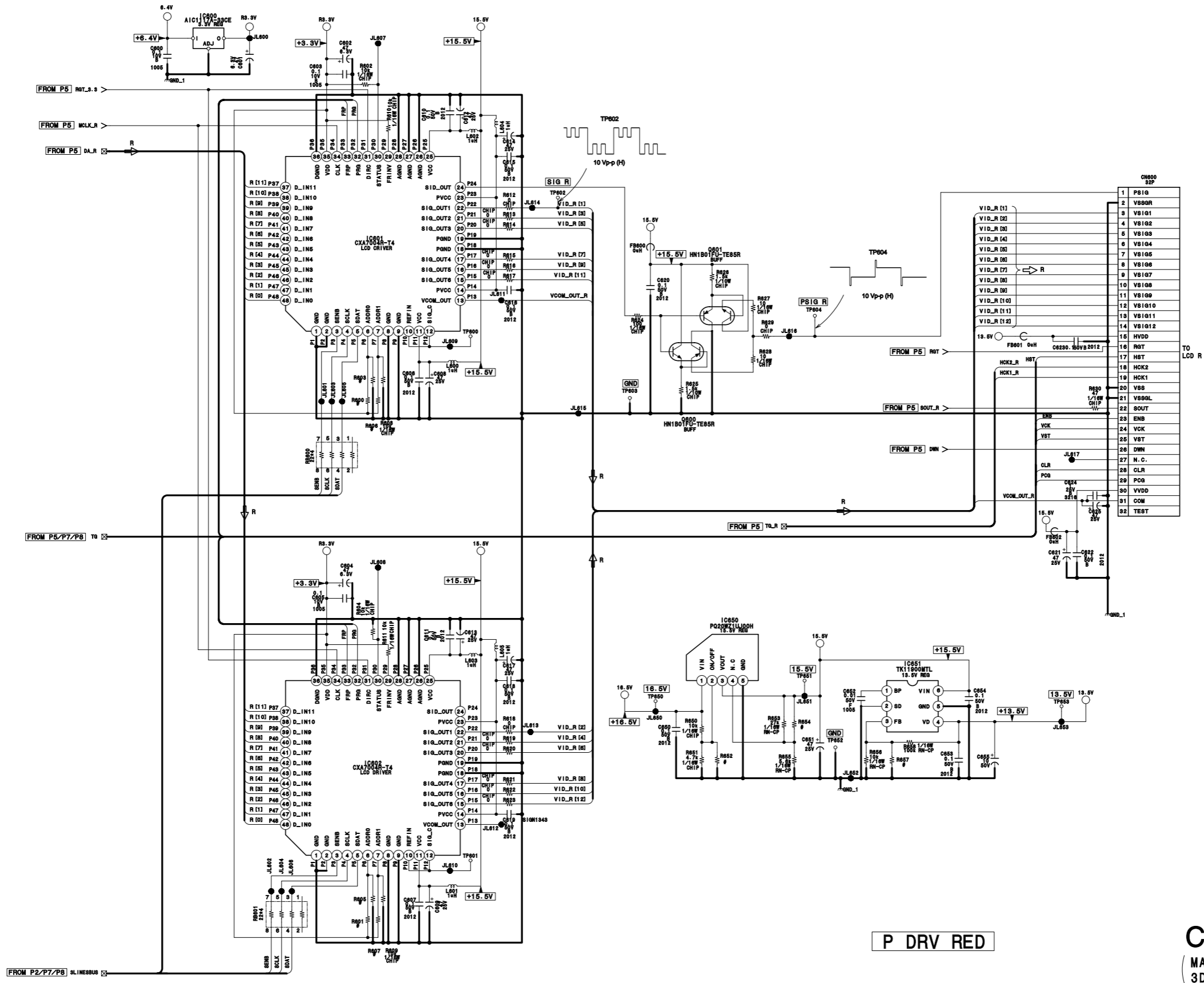
C (3/9)  
(MAIN CPU, SCAN CONVERTER,  
3D GAMMA & TG, LCD DRIVER)





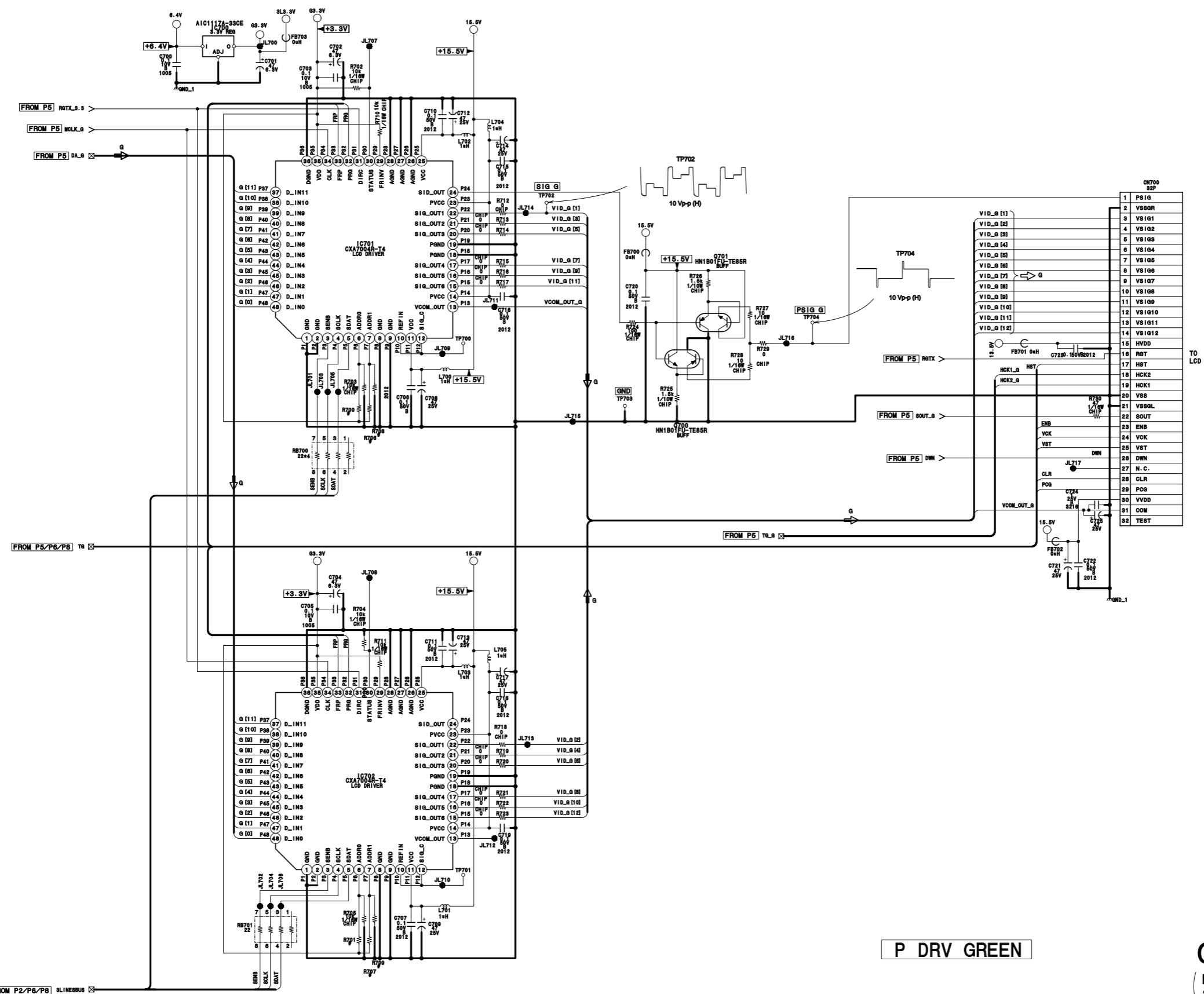
GAMMA

C (5/9)  
 (MAIN CPU, SCAN CONVERTER,  
 3D GAMMA & TG, LCD DRIVER)



P DRV RED

C (6/9)  
(MAIN CPU, SCAN CONVERTER,  
3D GAMMA & TG, LCD DRIVER)



P DRV GREEN

C (7/9)  
( MAIN CPU, SCAN CONVERTER,  
3D GAMMA & TG, LCD DRIVER )

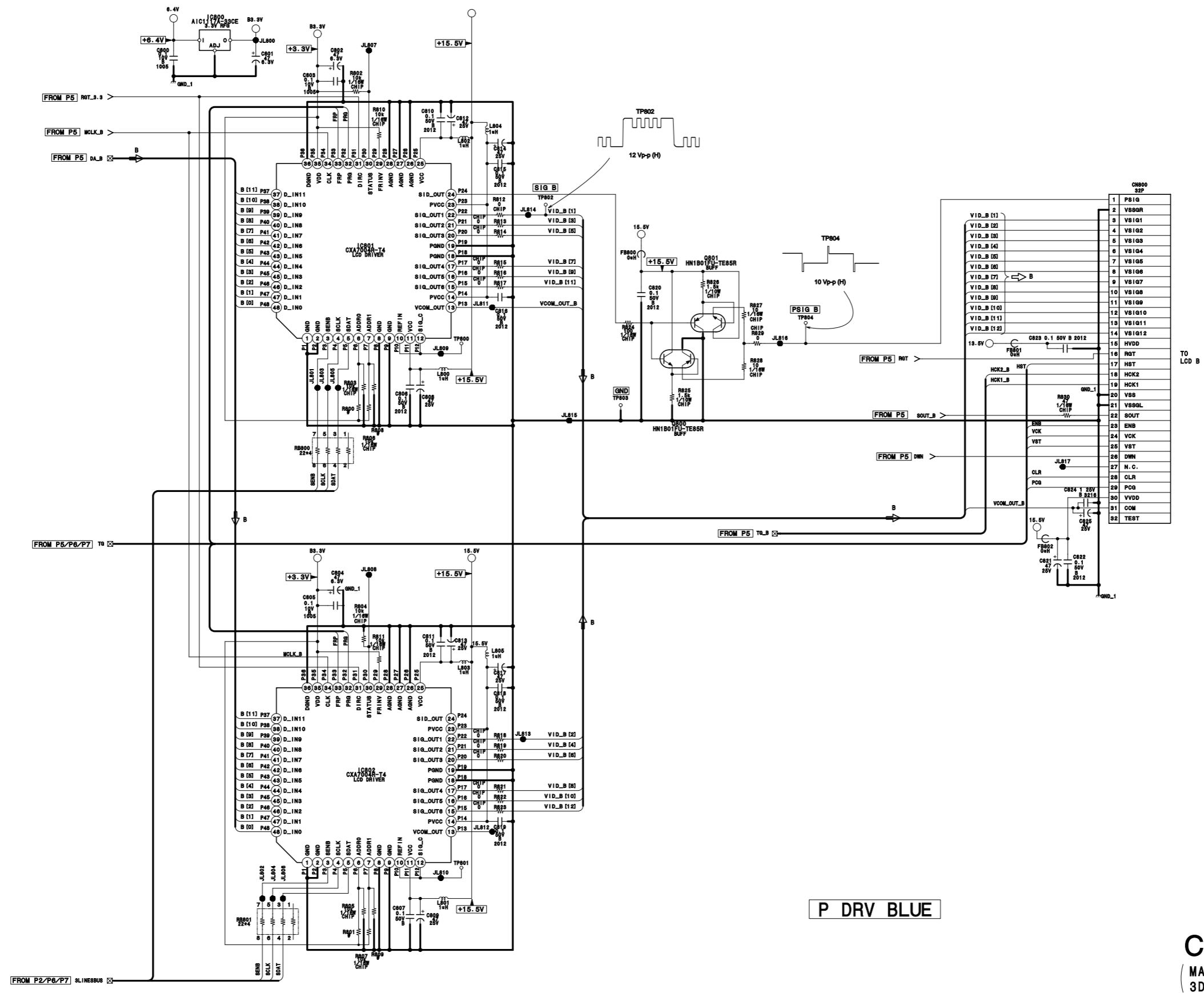
1

2

3

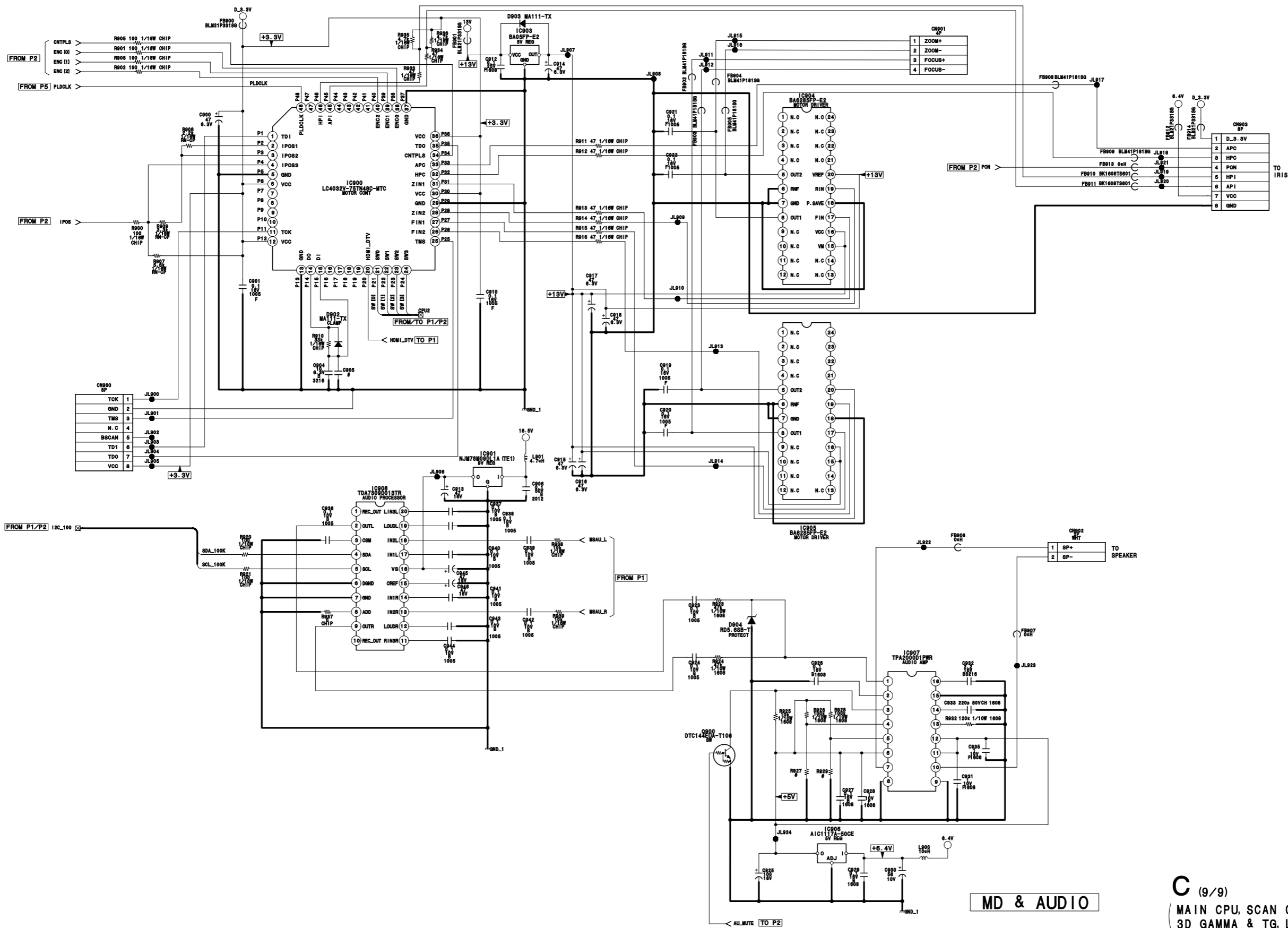
4

5



P DRV BLUE

C (8/9)  
 (MAIN CPU, SCAN CONVERTER,  
 3D GAMMA & TG, LCD DRIVER)

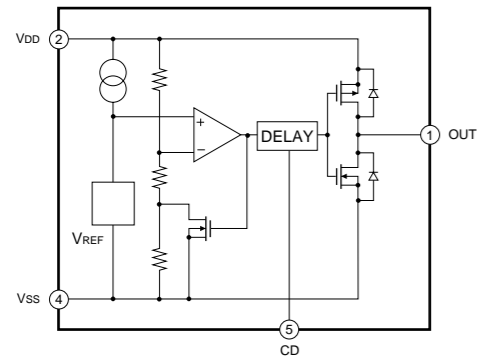


MD & AUDIO

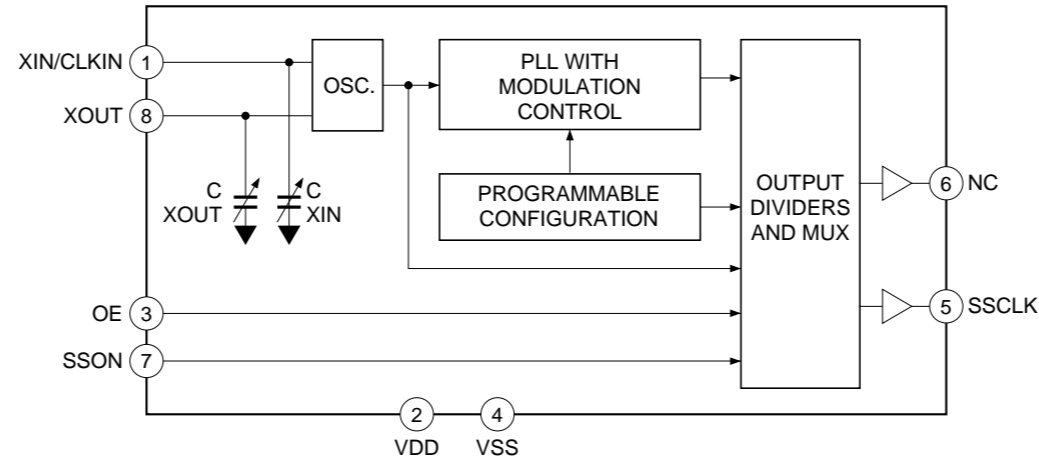
**C (9/9)**  
 (MAIN CPU, SCAN CONVERTER,  
 3D GAMMA & TG, LCD DRIVER)



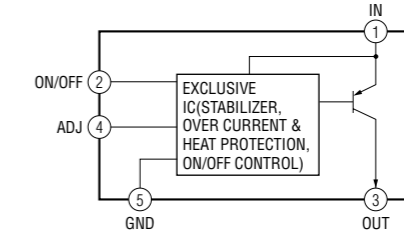
**C (2/9) S-80928CNMC-G8YT2G (IC204)**  
**C (4/9) S-80928CNMC-G8YT2G (IC403)**  
**C (5/9) S-80928CNMC-G8YT2G (IC502, 503)**



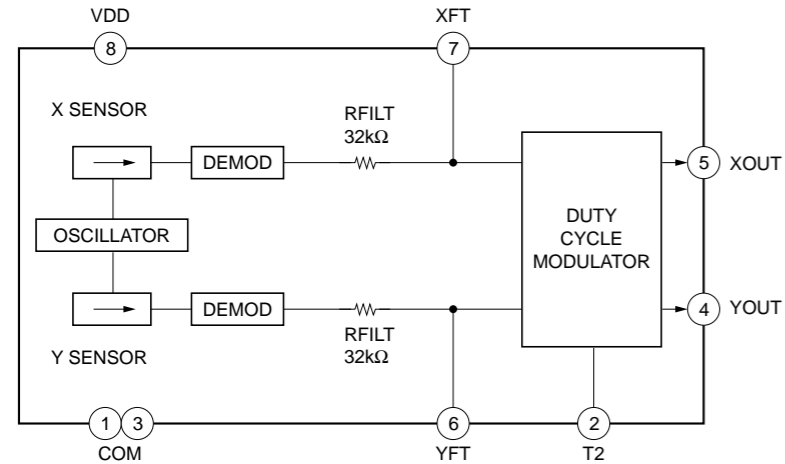
**C (4/9) CY25025SZC-1T (IC404)**



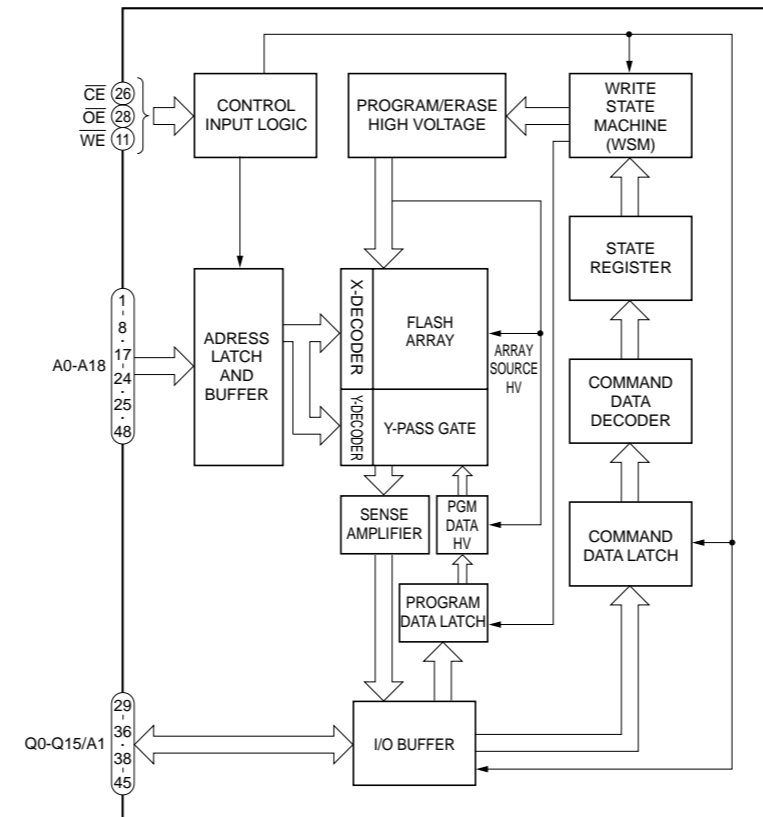
**C (4/9) PQ025EZ01ZPH (IC402)**  
**C (6/9) PQ20WZ1UJ00H (IC650)**



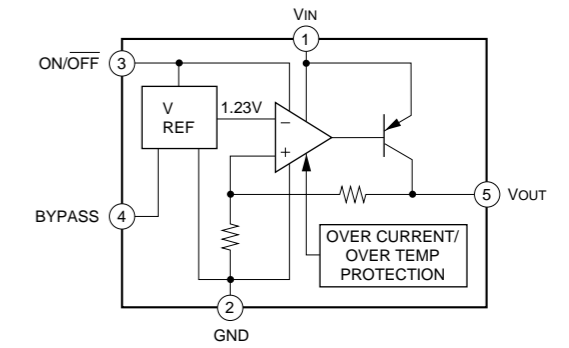
**C (3/9) ADXL202JE-REEL (IC303)**



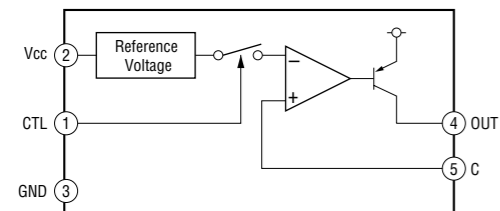
**C (4/9) MX29LV800ATTC-70G-57PW (IC406)**



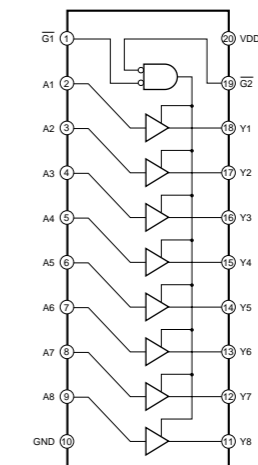
**C (5/9) LP2985IM5X-3.3 (IC501)**



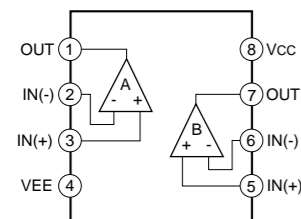
**C (3/9) BA00ASFP-E2 (IC305-308)**



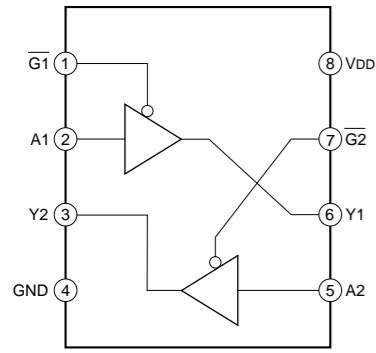
**C (5/9) SN74AHCT541APWR (IC506, 507)**



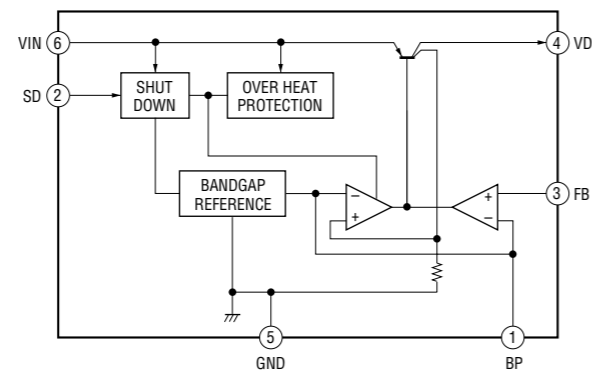
**C (3/9) TA75W393FU-TE12R (IC302, 304)**



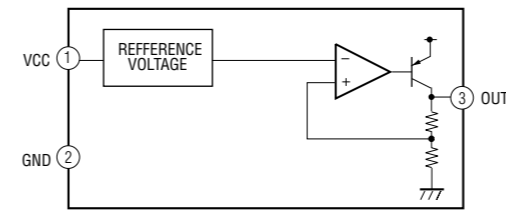
C (5/9) TC7WH125FK (IC500)



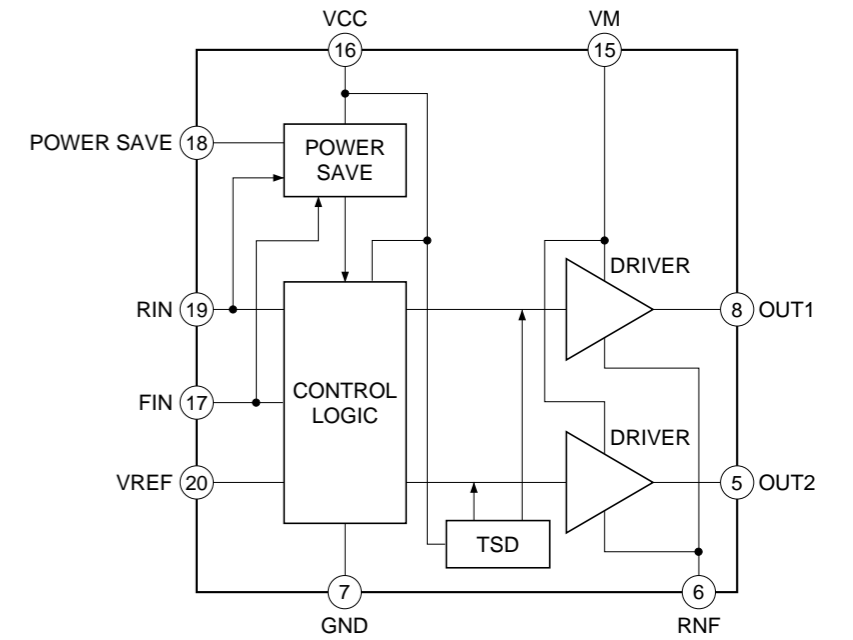
C (6/9) TK11900MTL (IC651)



C (9/9) BA05FP-E2 (IC903)



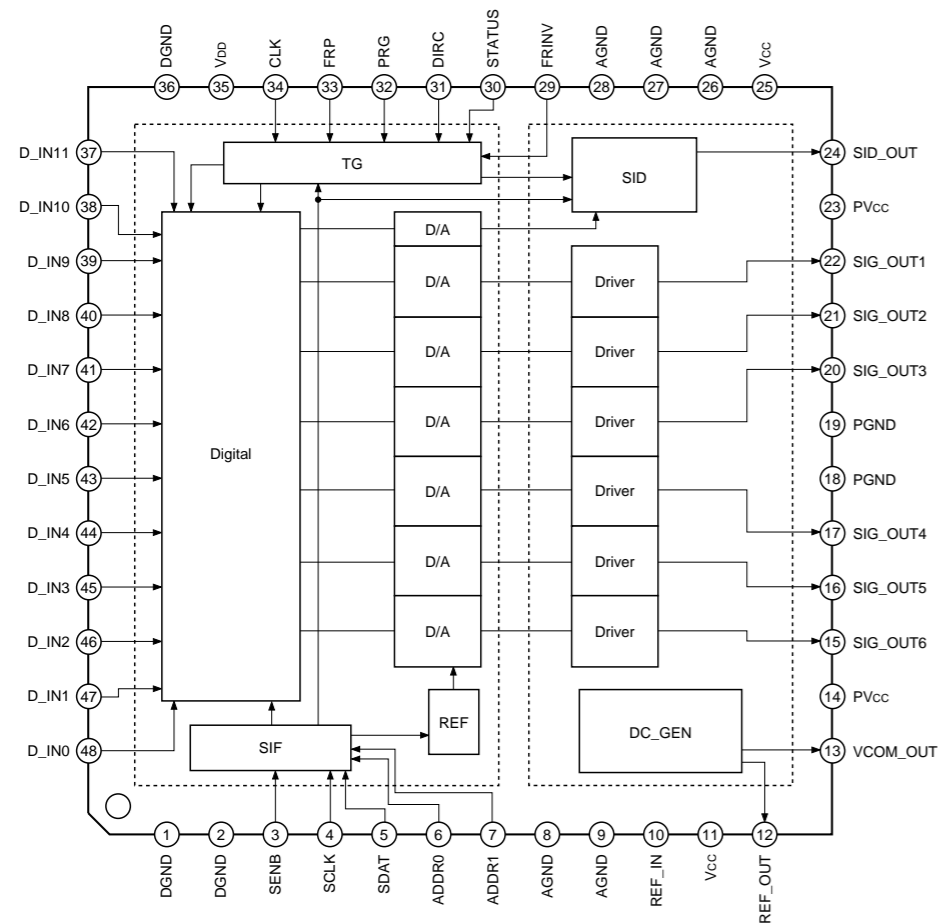
C (9/9) BA6285FP-E2 (IC904, 905)



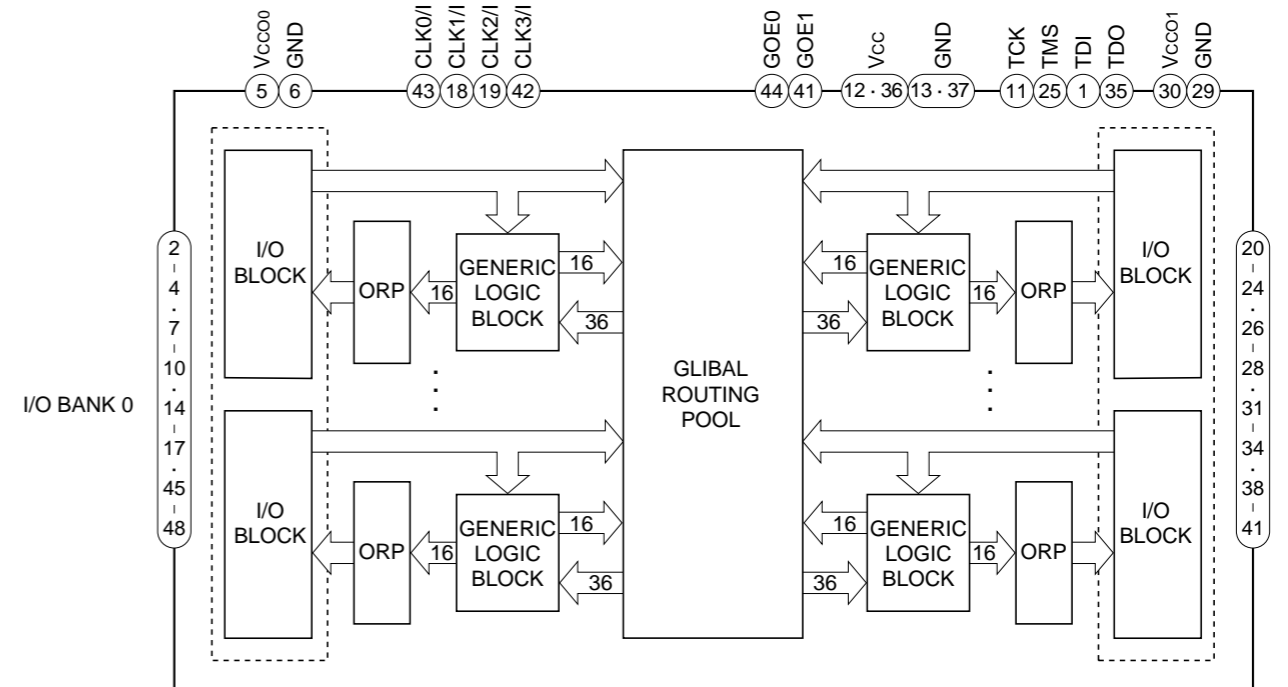
C (6/9) CXA7004R-T4 (IC601, 602)

C (7/9) CXA7004R-T4 (IC701, 702)

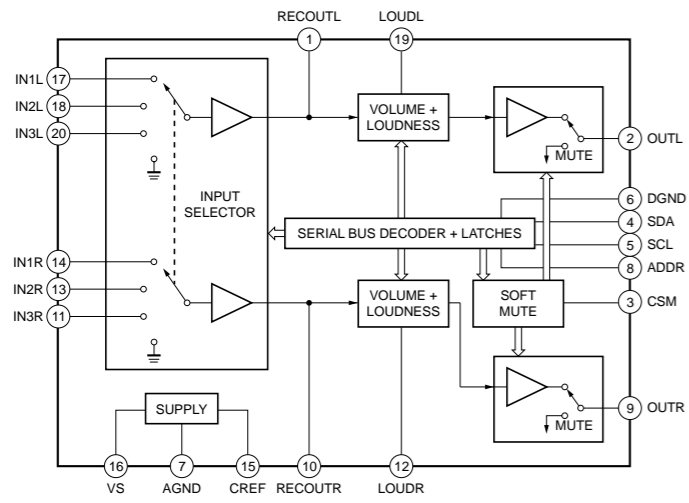
C (8/9) CXA7004R-T4 (IC801, 802)



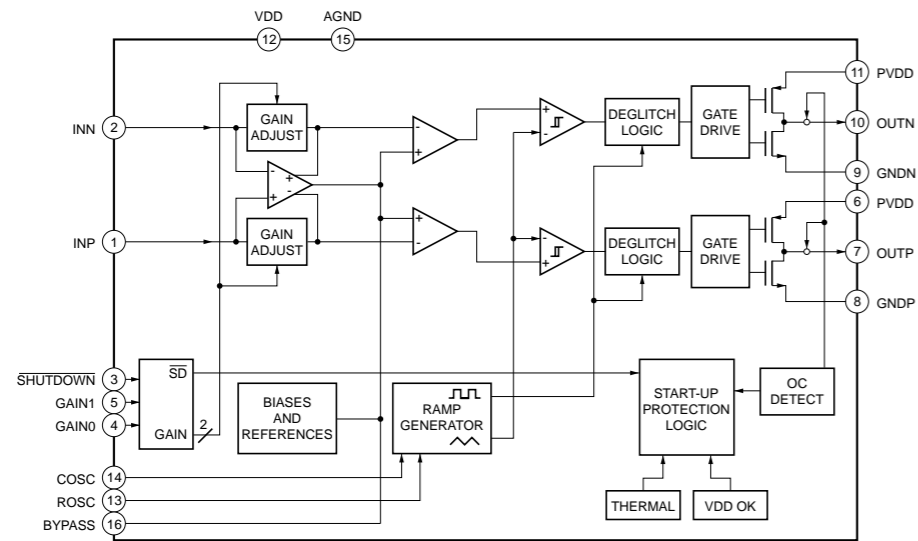
C (9/9) LC4032V-75TN48C-MTC (IC900)

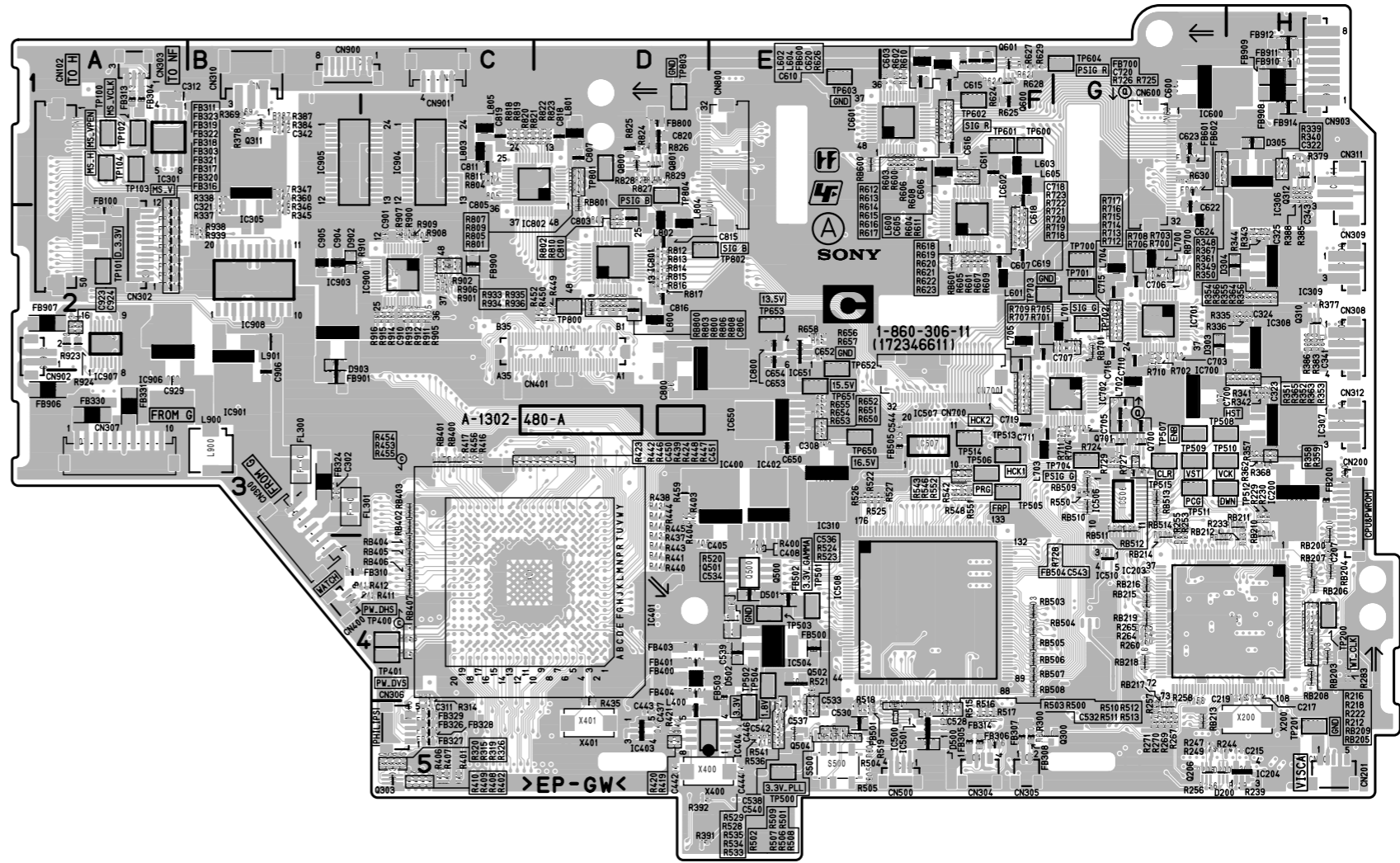


C (9/9) TDA7309D013TR (IC908)



C (9/9) TPA2000D1PW (IC907)



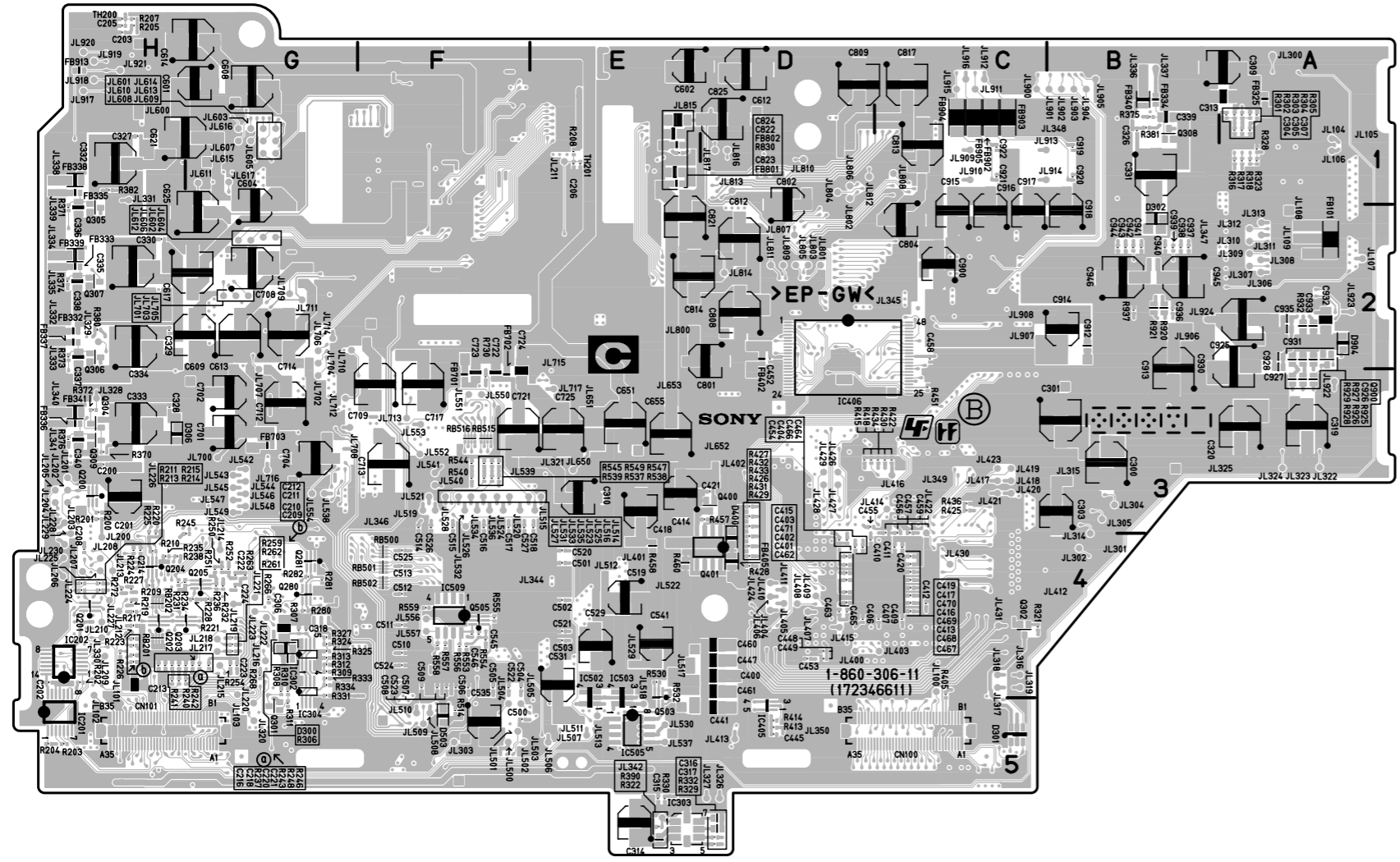


C Board

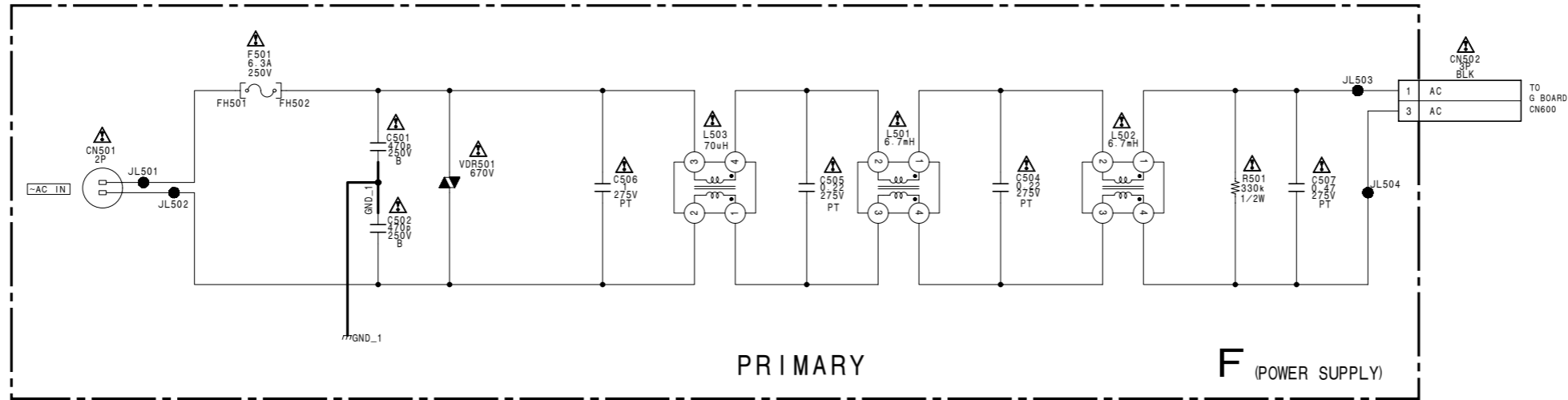
C -A SIDE-  
SUFFIX: -11

\*:B SIDE

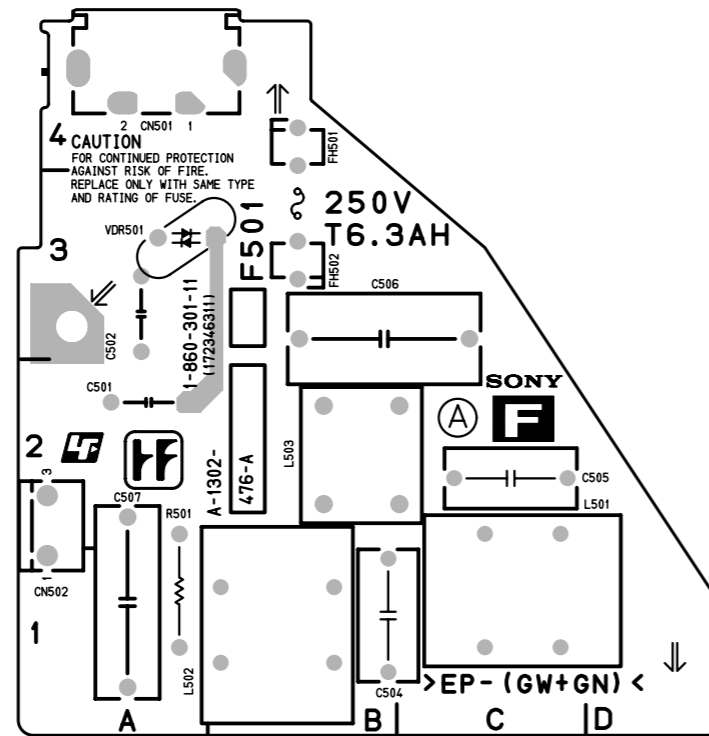
D200	G-5	IC501	F-5	Q204	* H-4	TP101	A-2	TP700	G-2
D300	* G-5	IC502	* E-4	Q205	* G-4	TP102	A-1	TP701	G-2
D301	C-5	IC503	* E-4	Q206	G-5	TP103	A-1	TP702	G-2
D302	* B-2	IC504	E-4	Q280	* G-4	TP104	A-1	TP703	F-2
D303	G-2	IC505	* E-5	Q281	* G-4	TP200	H-4	TP704	G-3
D305	H-1	IC506	G-3	Q300	G-5	TP201	H-4	TP800	D-2
D306	* H-3	IC507	F-3	Q301	* G-5	TP400	C-4	TP801	D-1
D503	* F-5	IC508	E-4	Q302	* C-4	TP401	C-4	TP802	E-2
D902	B-2	IC510	G-4	Q303	C-5	TP500	E-5	TP803	D-1
D903	B-2	IC600	G-1	Q304	* H-3	TP501	E-4	TP804	D-1
D904	* A-2	IC601	F-1	Q305	* H-2	TP502	E-4		
		IC602	F-1	Q306	* H-2	TP503	E-4		
IC200	H-3	IC650	E-3	Q308	* B-1	TP504	E-4		
IC201	* H-5	IC651	E-2	Q309	* H-3	TP505	F-3		
IC202	* H-4	IC700	G-3	Q310	H-2	TP506	F-3		
IC203	G-4	IC701	G-2	Q311	B-1	TP507	G-3		
IC204	H-5	IC702	G-3	Q312	H-1	TP508	G-3		
IC301	A-1	IC800	E-2	Q400	* D-3	TP509	G-3		
IC302	* G-4	IC801	D-2	Q401	* D-4	TP510	G-3		
IC303	* E-5	IC802	C-2	Q500	E-4	TP511	G-3		
IC304	* G-5	IC900	C-2	Q501	E-4	TP512	G-3		
IC305	B-2	IC901	B-3	Q502	E-4	TP513	F-3		
IC306	H-1	IC903	B-2	Q503	* E-5	TP514	F-3		
IC307	H-3	IC904	C-1	Q504	E-5	TP515	G-3		
IC308	H-2	IC905	B-1	Q600	F-1	TP600	F-1		
IC310	E-3	IC906	A-2	Q601	F-1	TP601	F-1		
IC400	E-3	IC907	A-2	Q700	G-3	TP602	F-1		
IC402	E-3	IC908	B-2	Q701	G-3	TP603	E-1		
IC403	D-5			Q800	D-1	TP604	G-1		
IC404	E-5	Q200	* H-3	Q801	D-1	TP650	E-3		
IC405	* D-5	Q201	* H-4	Q900	* A-2	TP651	E-3		
IC406	* D-3	Q202	* H-4			TP652	E-2		
IC500	F-5	Q203	* H-4	TP100	A-1	TP653	E-2		



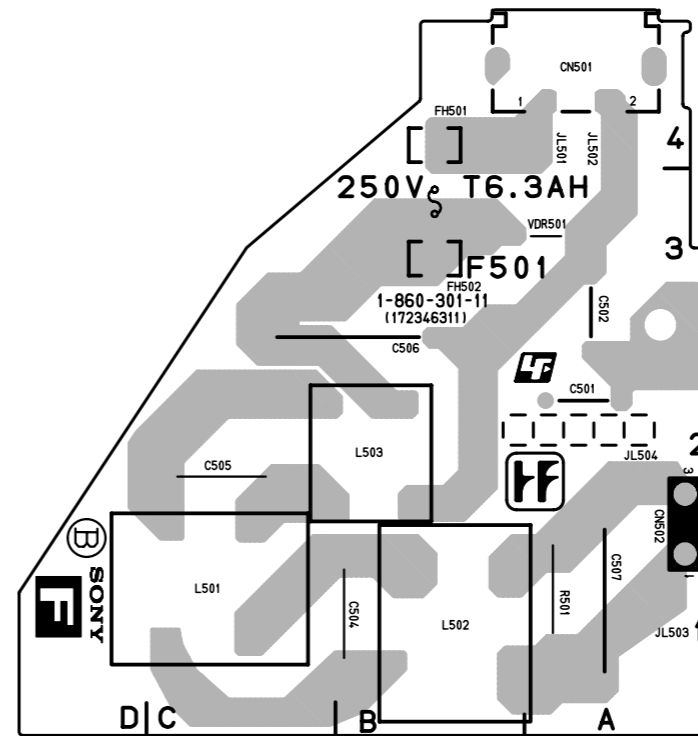
C -B SIDE-  
SUFFIX: -11



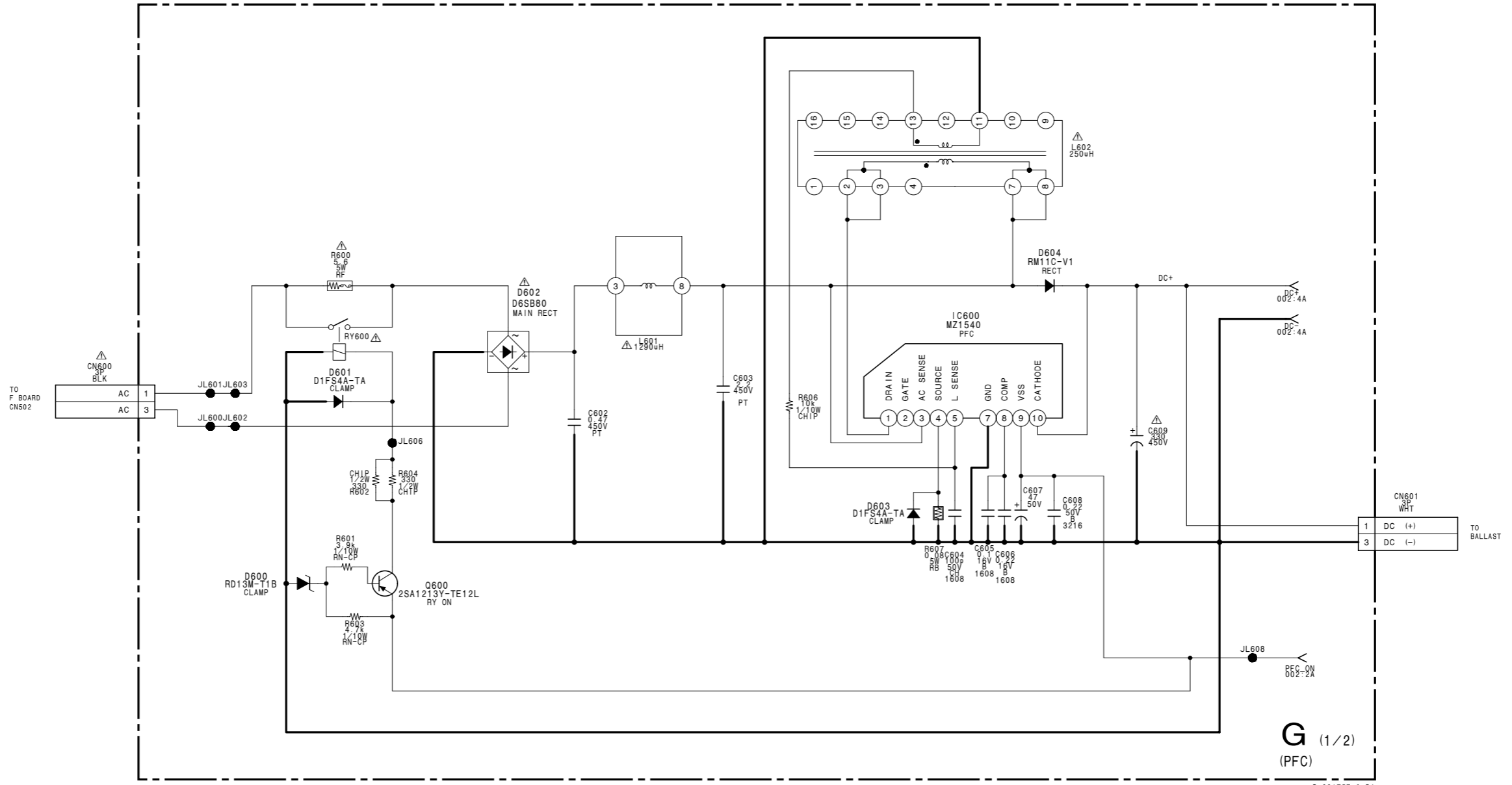
B-SS1757-F-P1



F -A SIDE-  
SUFFIX: -11



F -B SIDE-  
SUFFIX: -11



G (1/2)  
(PFC)

B-SS1757-G-P1

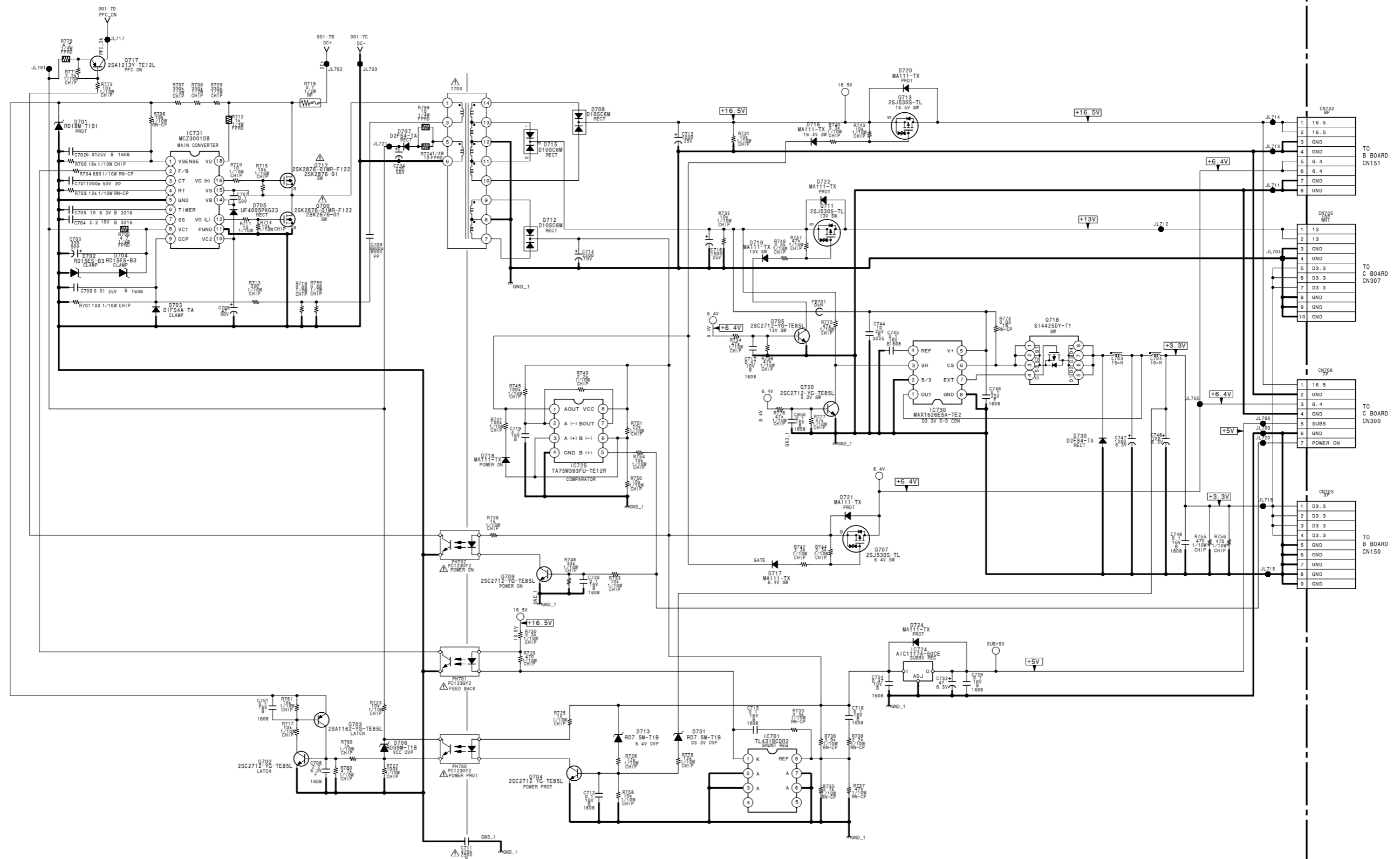
1

2

3

4

5



PRIMARY ← → SECONDARY

G (2/2)  
REGULATOR

1

2

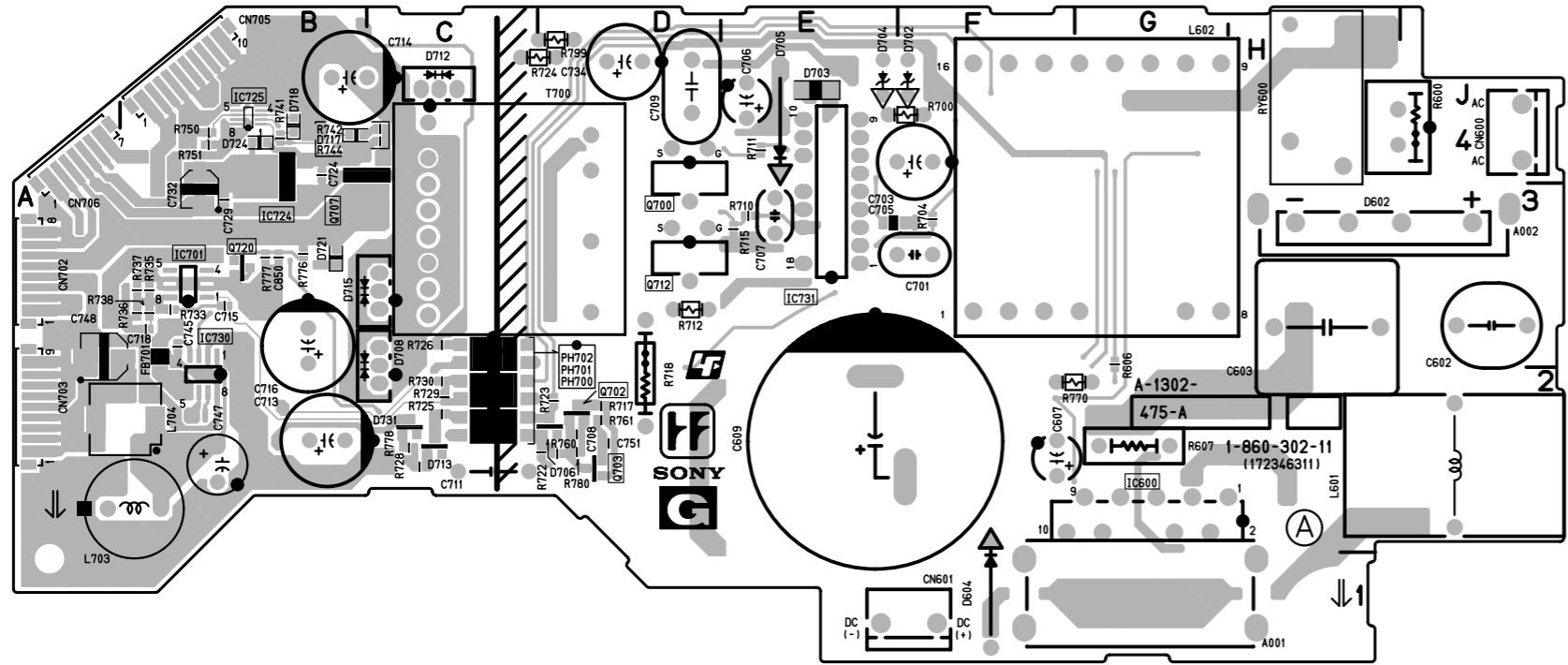
3

4

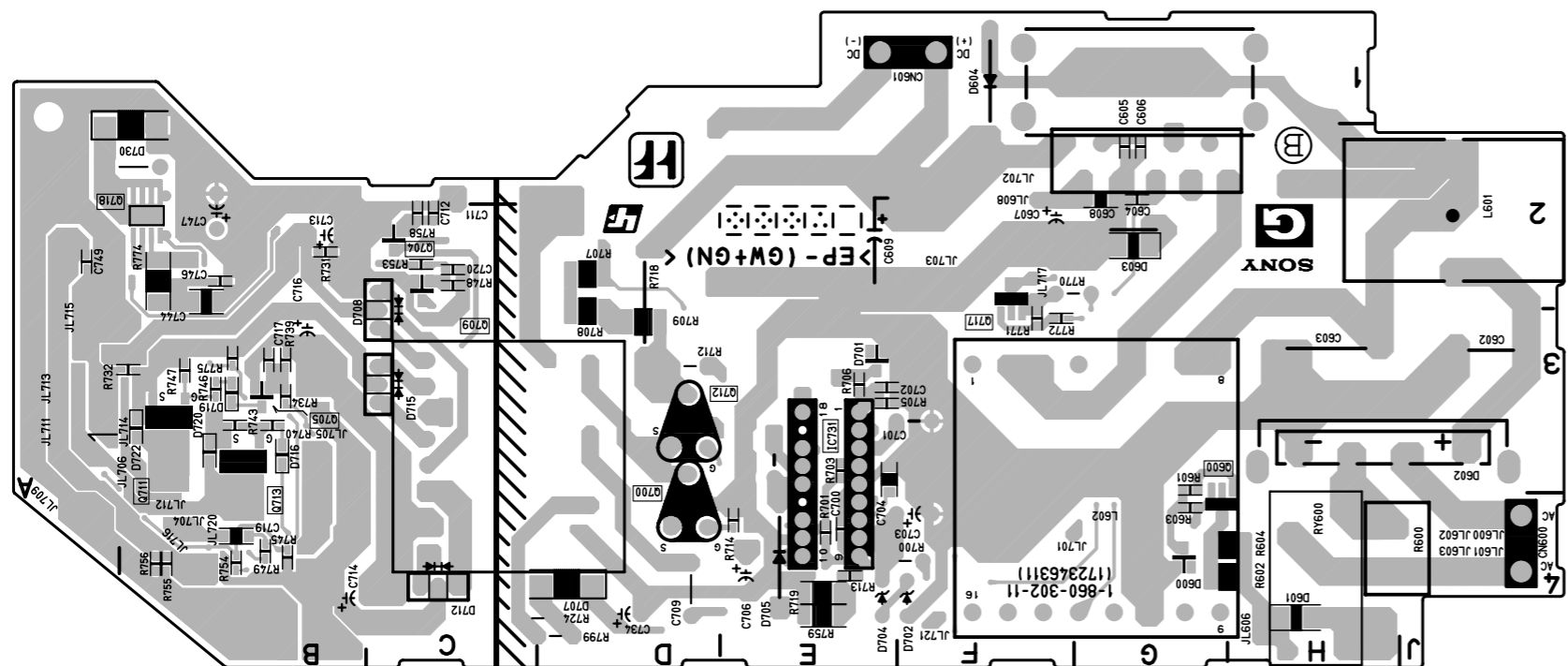
5

A B C D E F G H





**G -A SIDE-**  
SUFFIX: -11



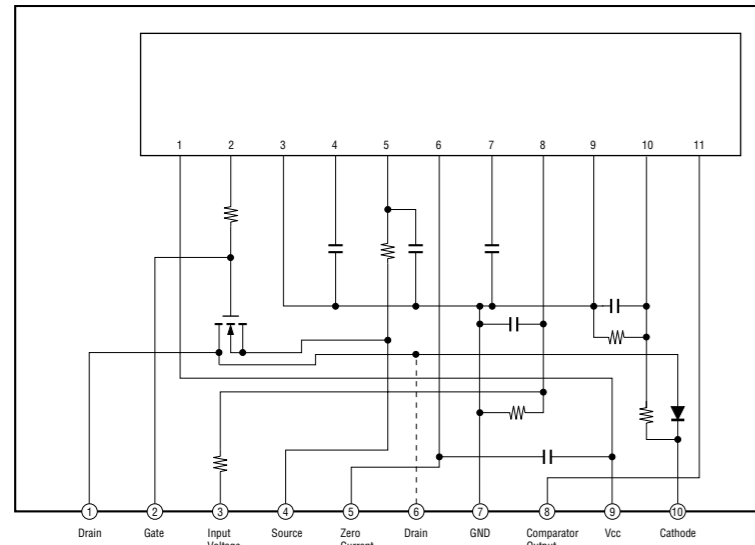
**G -B SIDE-**  
SUFFIX: -11

G Board

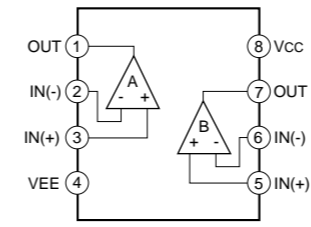
\*:B SIDE

D600	*G-4
D601	*H-4
D602	*J-3
D603	*G-2
D604	*F-1
D701	*E-3
D702	*F-4
D703	E-4
D704	*E-4
D705	*E-4
D706	D-2
D707	*D-4
D708	*C-2
D712	*C-4
D713	C-2
D715	*C-3
D716	*B-4
D717	B-4
D718	B-4
D719	*B-4
D720	*B-4
D721	B-3
D722	*B-4
D724	B-4
D730	*B-2
D731	C-2
IC600	G-2
IC701	B-3
IC724	B-3
IC725	B-4
IC730	B-3
IC731	*E-3
PH700	C-2
PH701	C-2
PH702	C-2
Q600	*G-3
Q700	*D-4
Q702	D-2
Q703	D-2
Q704	*C-2
Q705	*B-4
Q707	B-3
Q709	*C-3
Q711	*B-4
Q712	*D-3
Q713	*B-4
Q717	*F-3
Q718	*B-2
Q720	B-3

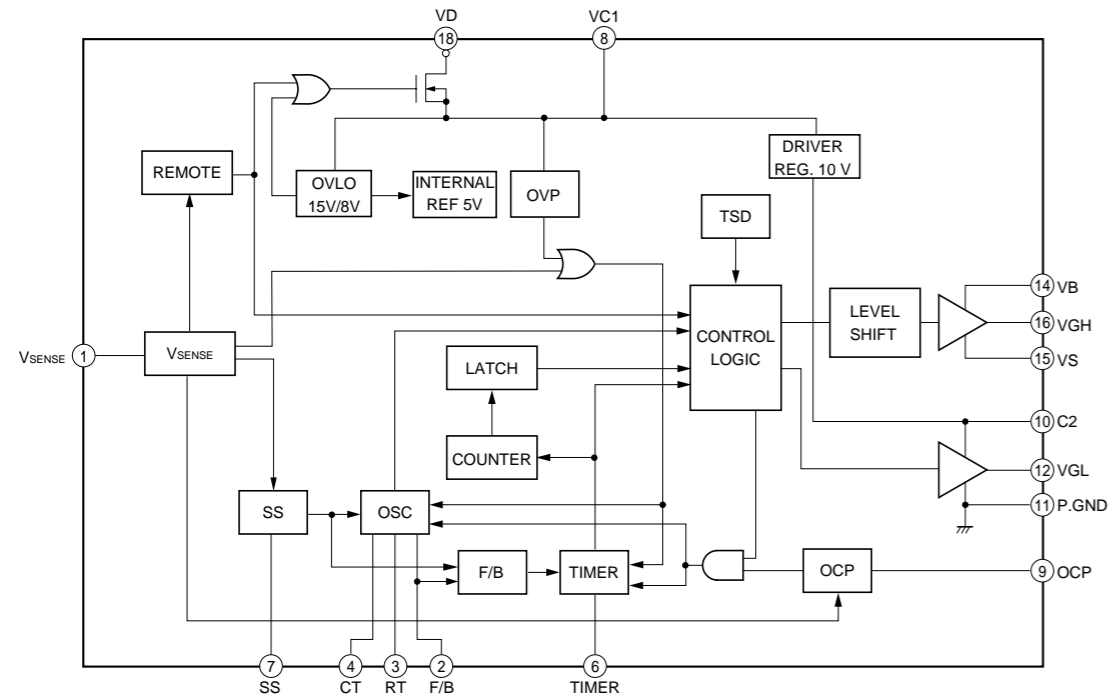
G (1/2) MZ1540 (IC600)



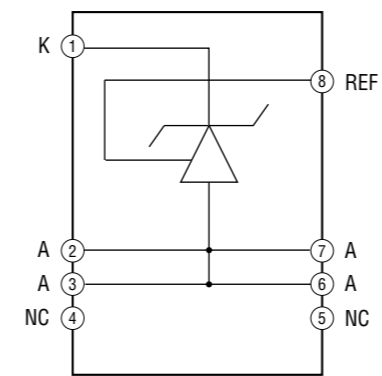
G (2/2) TA75W393FU-TE12R (IC725)



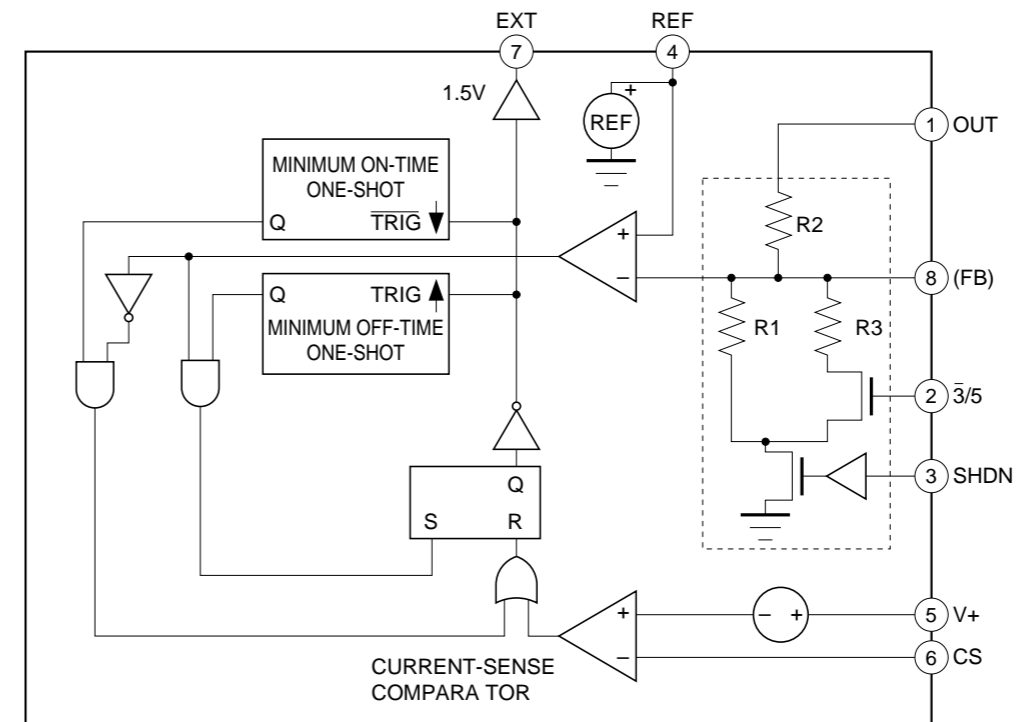
G (2/2) MCZ3001DB (IC731)

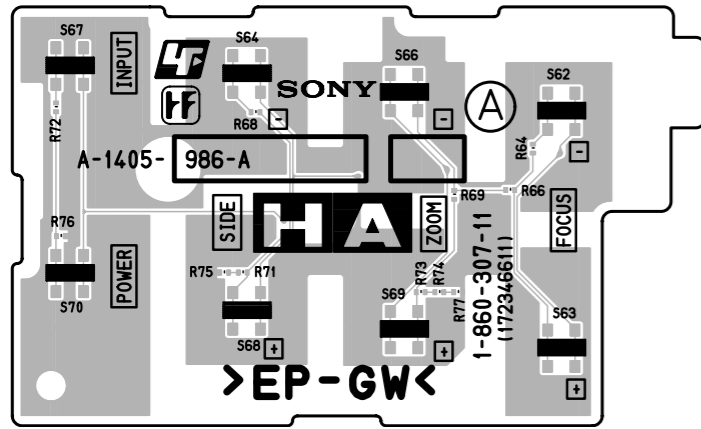


G (2/2) TL431BCDR2 (IC701)

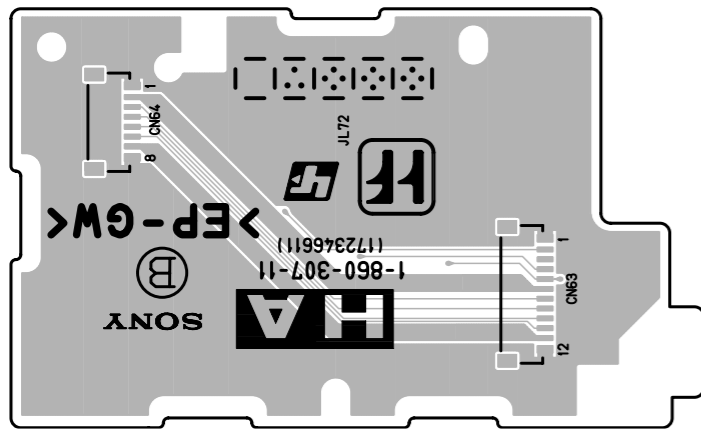


G (2/2) MAX1626ESA-TE2 (IC730)

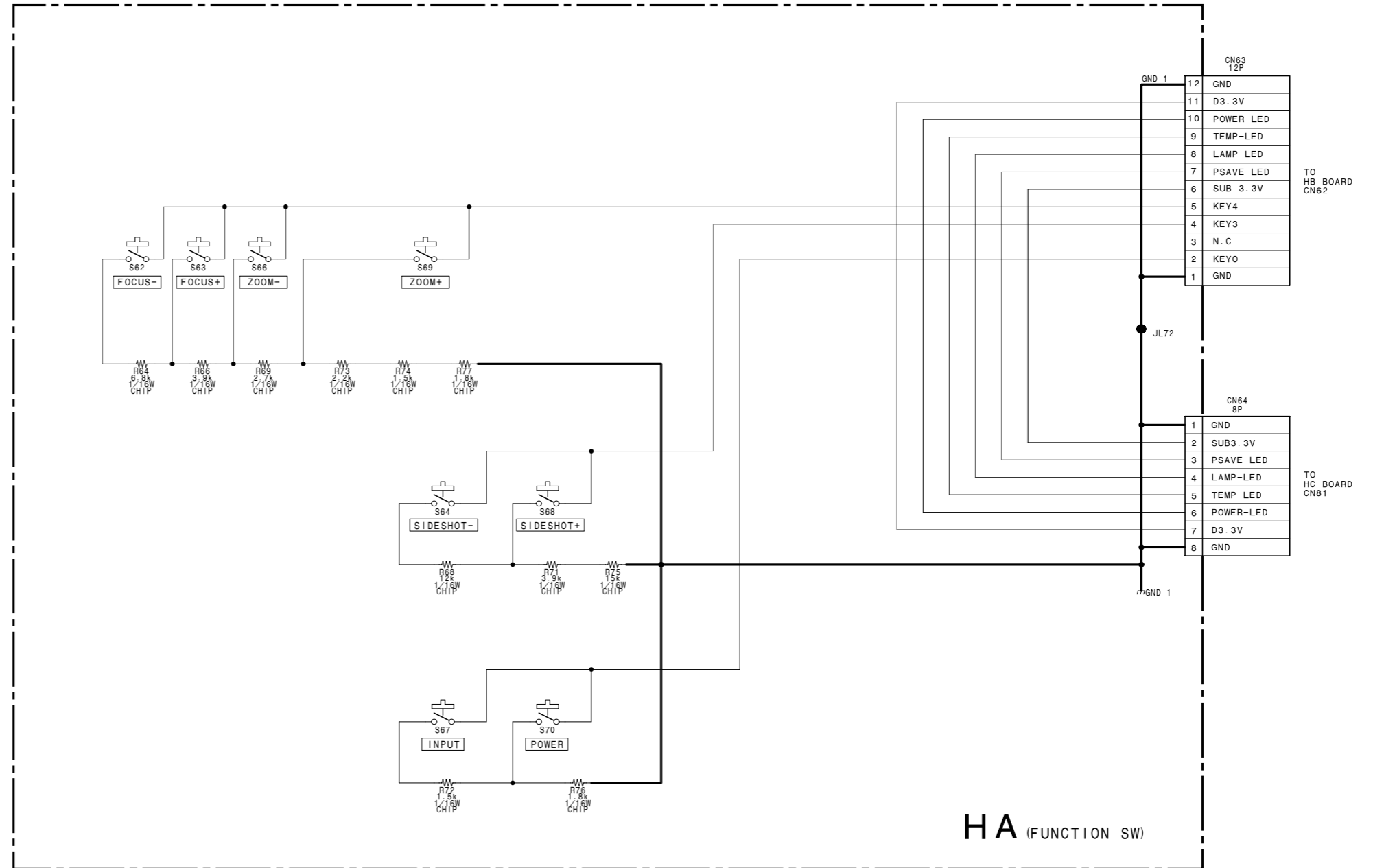




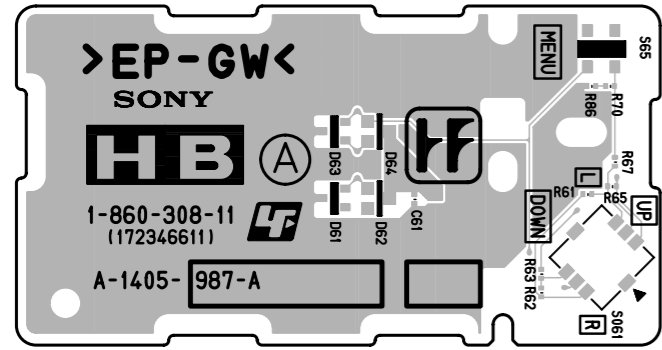
HA -A SIDE-  
SUFFIX: -11



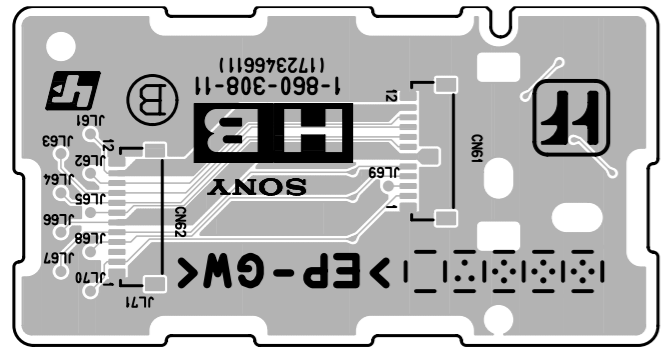
HA -B SIDE-  
SUFFIX: -11



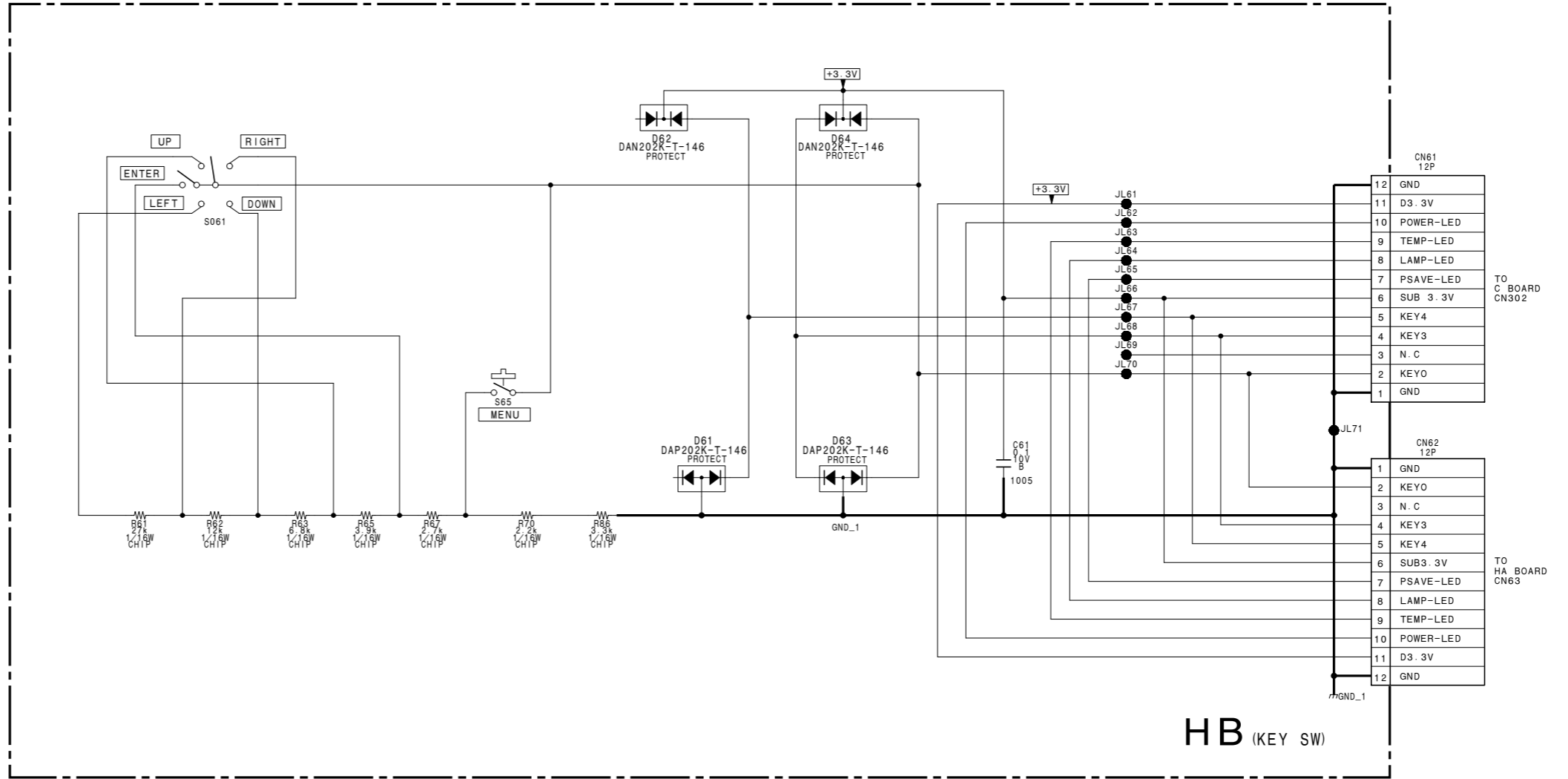
B-SS1757-HA-P1



**HB -A SIDE-**  
SUFFIX: -11



**HB -B SIDE-**  
SUFFIX: -11



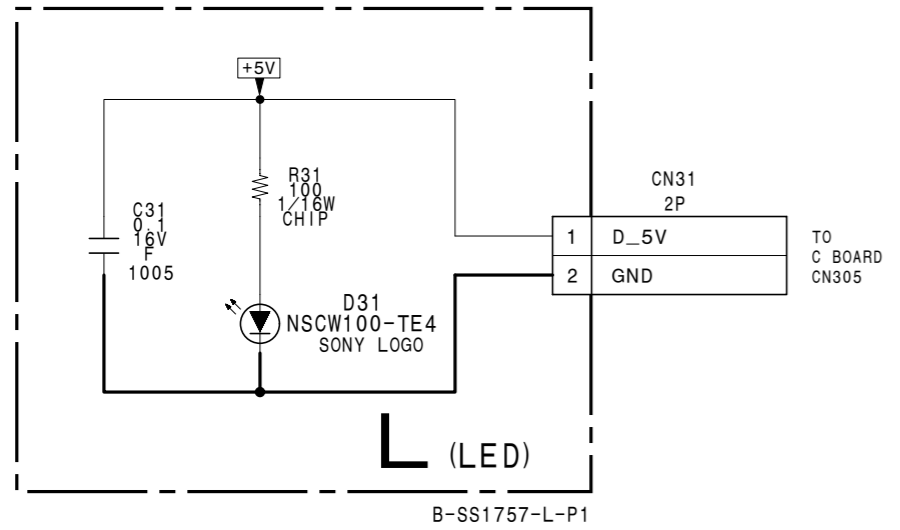
**HB (KEY SW)**

B-SS1757-HB-P1

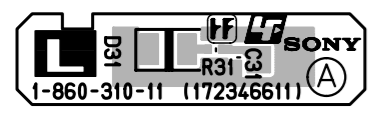


1

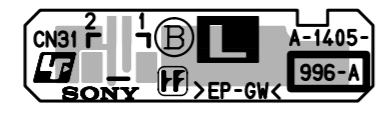
2



3



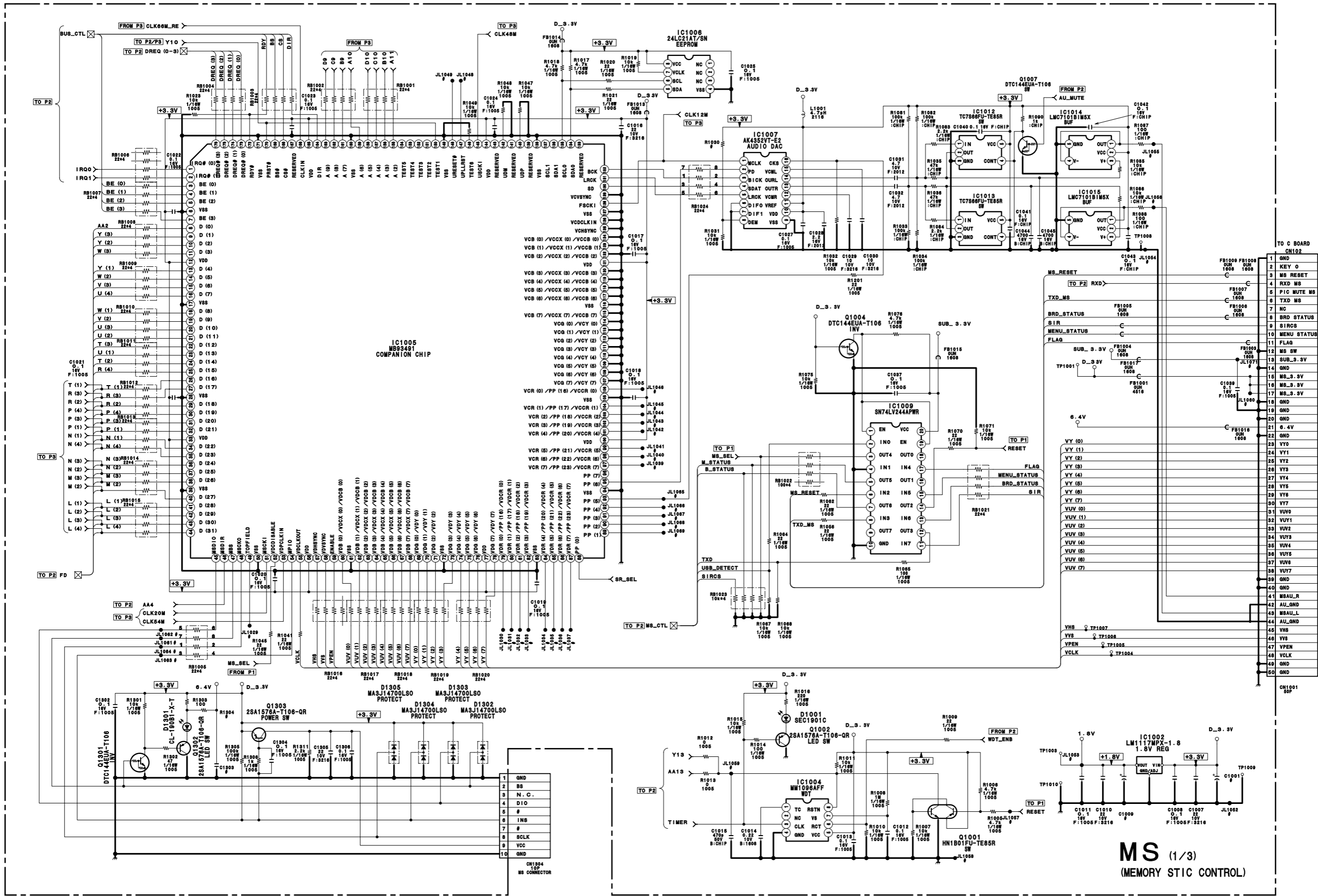
L -A SIDE-  
SUFFIX: -11



L -B SIDE-  
SUFFIX: -11

4

5



MS (1/3)  
(MEMORY STIC CONTROL)

B-881757-M6-P1

1

2

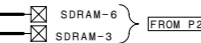
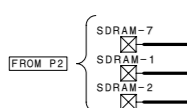
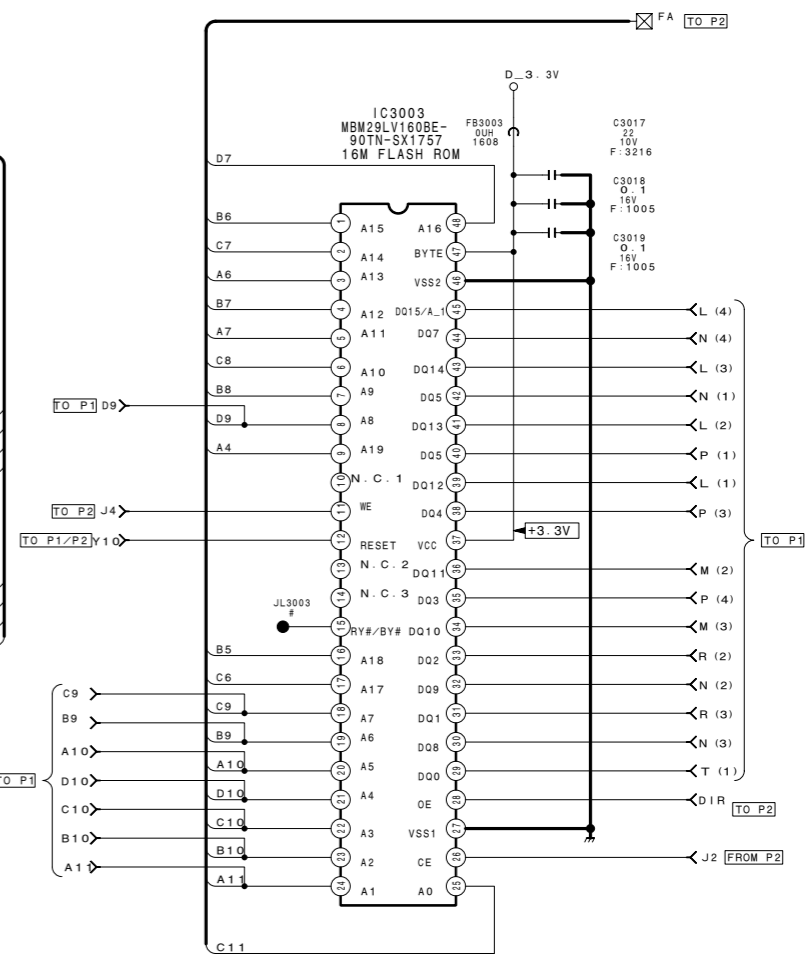
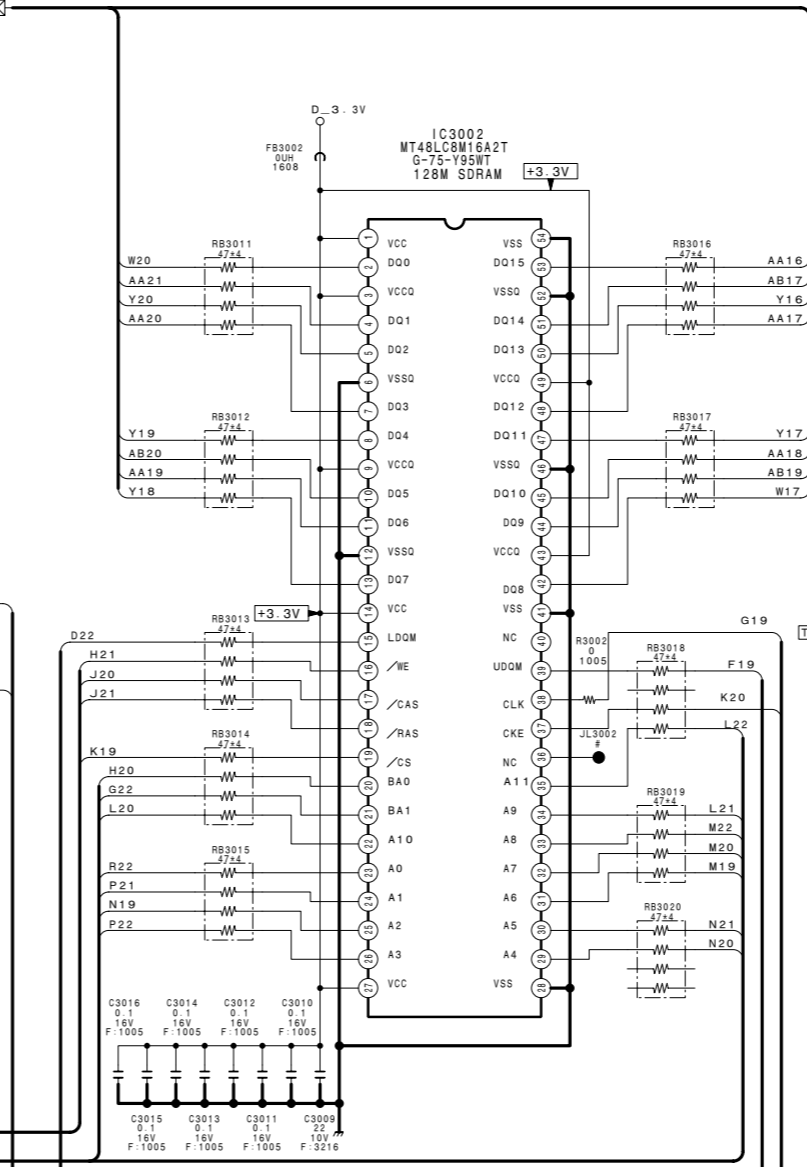
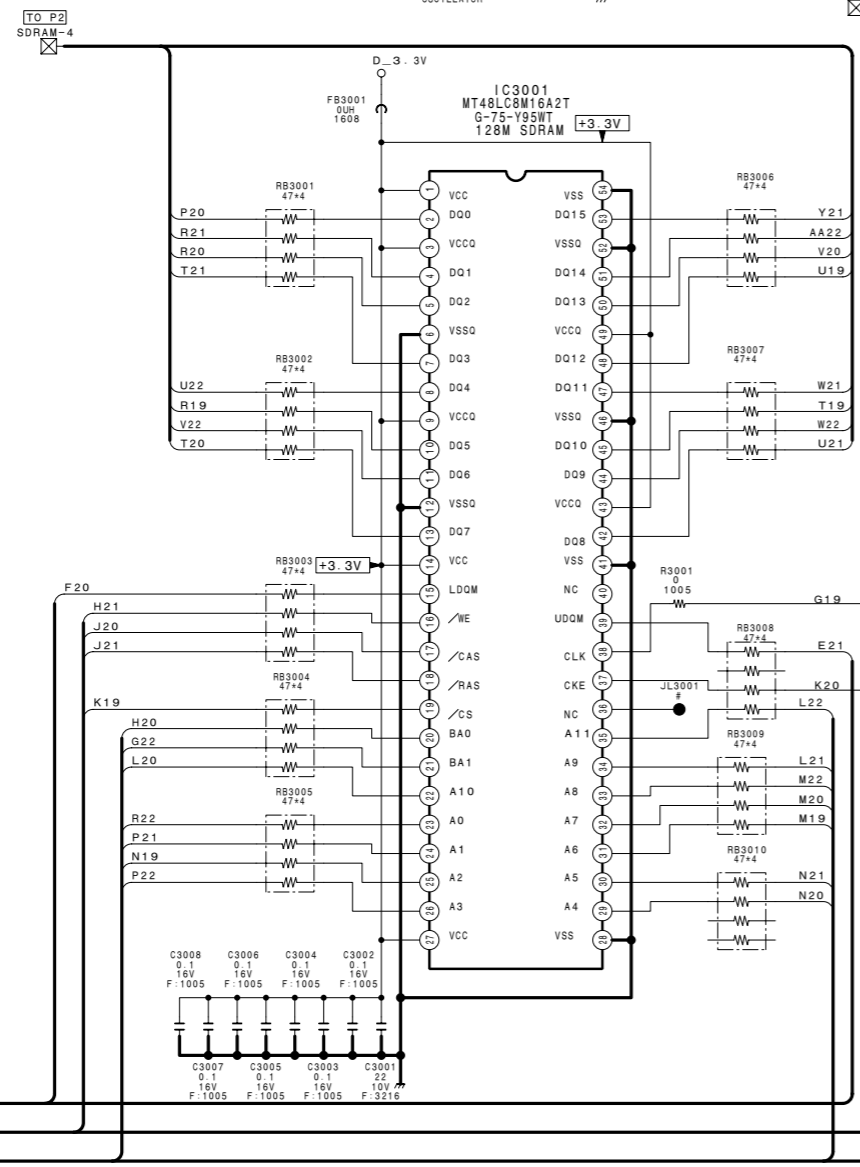
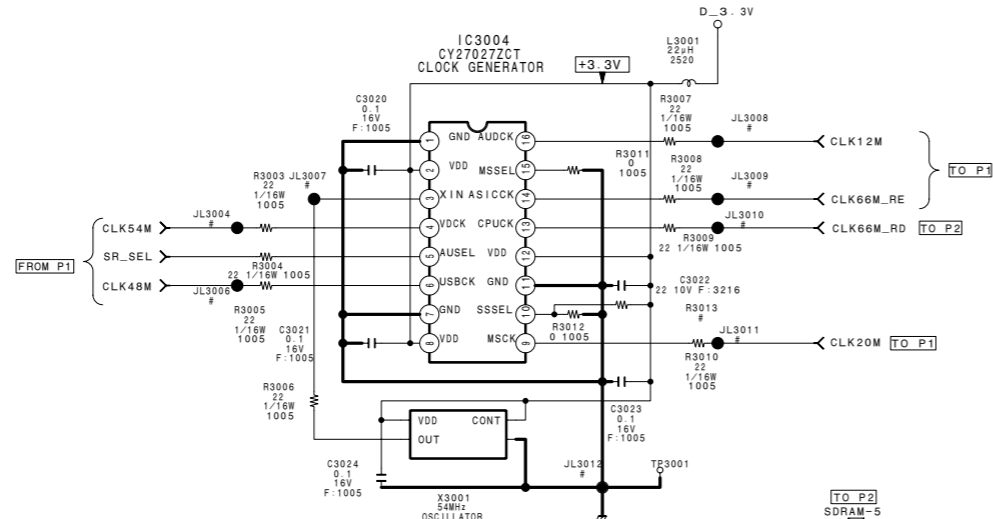
3

4

5

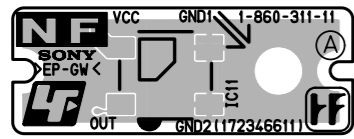
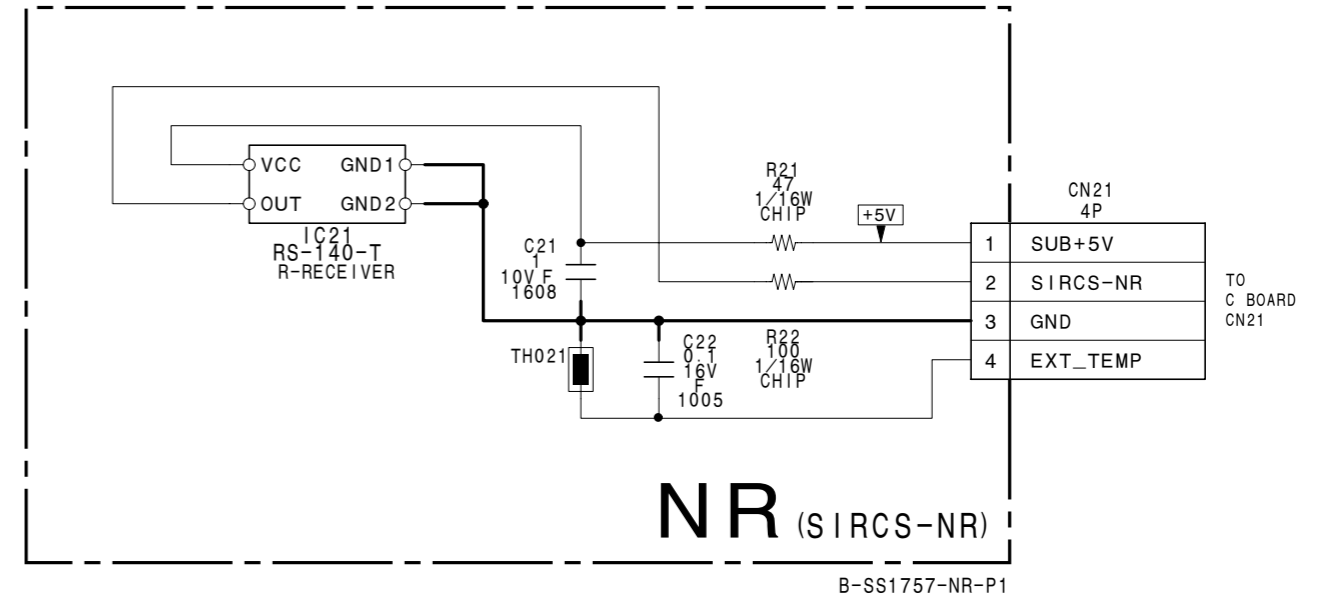
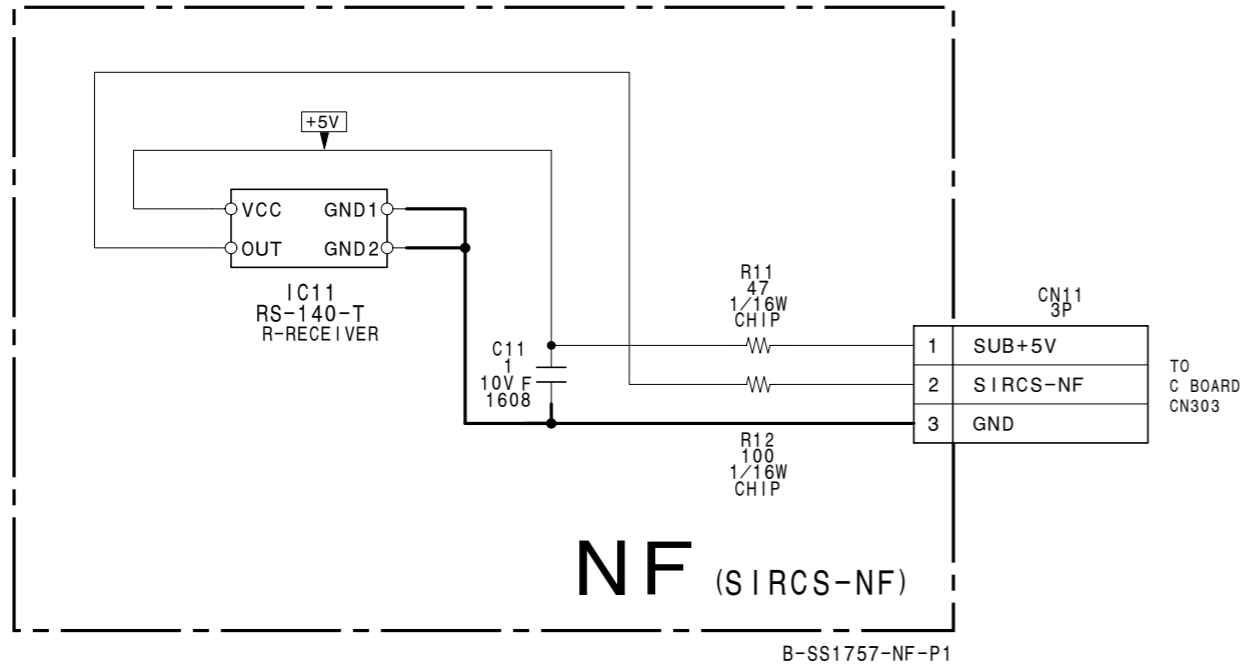




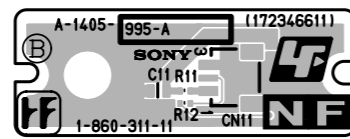


MS (3/3)  
MEMORY STIC CONTROL

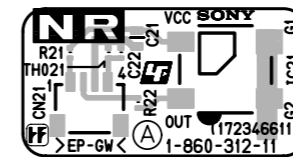




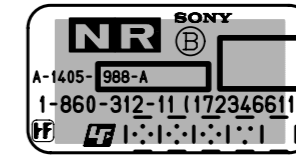
**NF** -A SIDE-  
SUFFIX: -11



**NF** -B SIDE-  
SUFFIX: -11

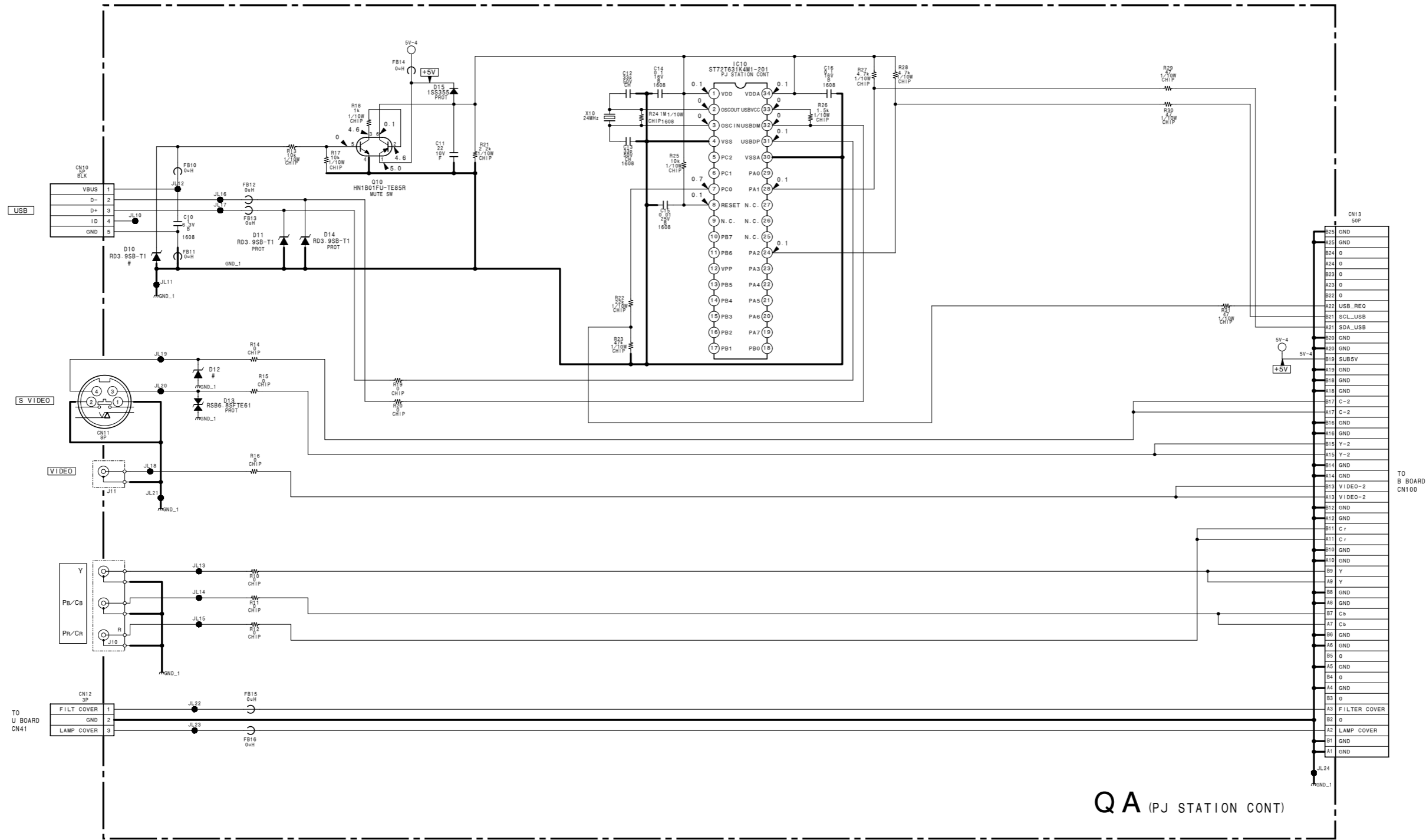


**NR** -A SIDE-  
SUFFIX: -11



**NR** -B SIDE-  
SUFFIX: -11

1  
2  
3  
4  
5



QA (PJ STATION CONT)

B-SS1757-QA-P1

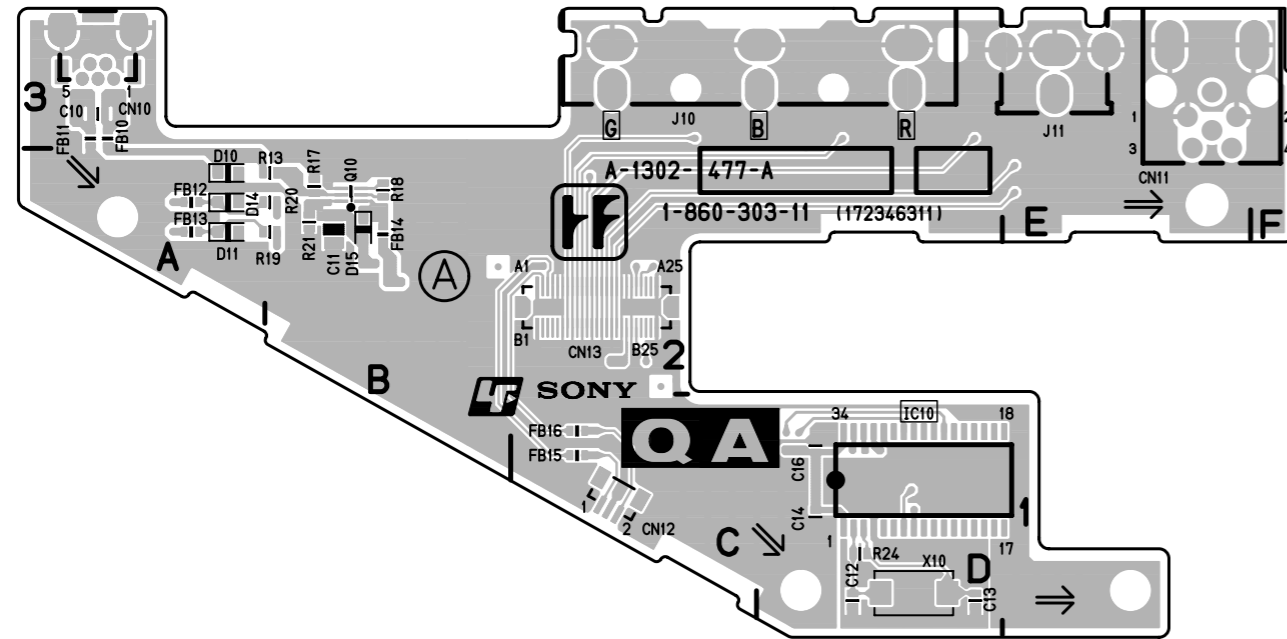
1

2

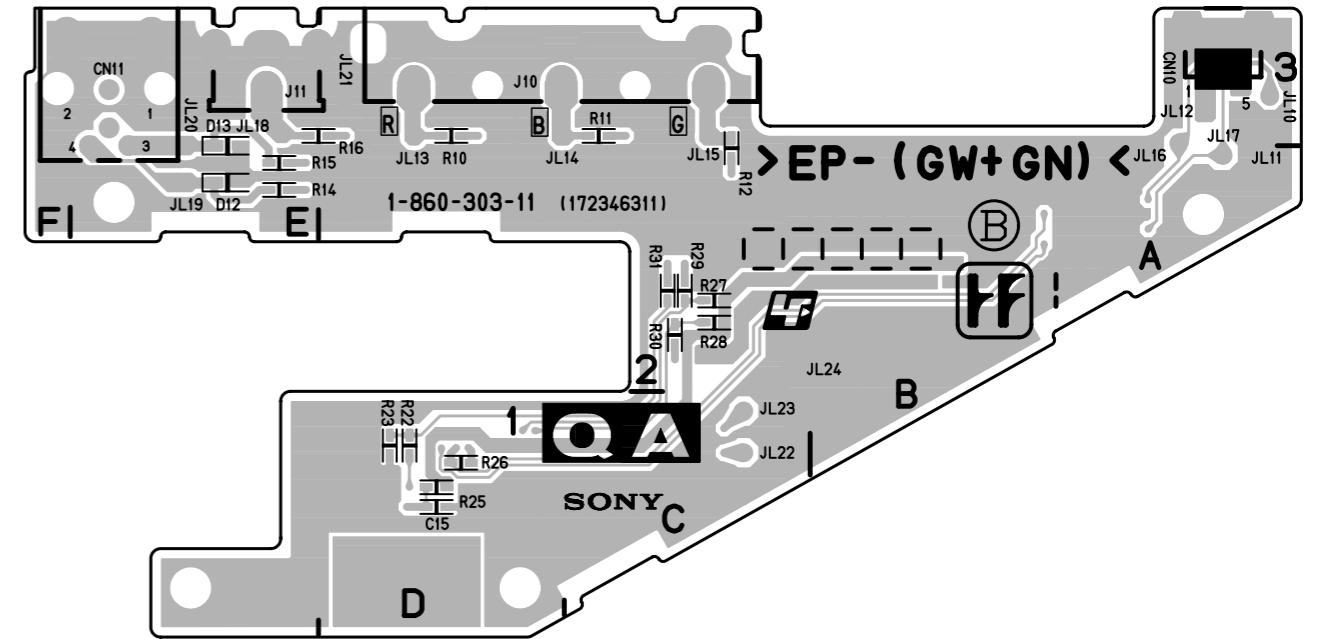
3

4

5



**QA -A SIDE-**  
SUFFIX: -11



**QA -B SIDE-**  
SUFFIX: -11

QA Board

\*:B SIDE

- D11 A-2
- D12 \* E-2
- D14 A-2
- D15 A-2
- IC10 D-1
- Q10 A-2

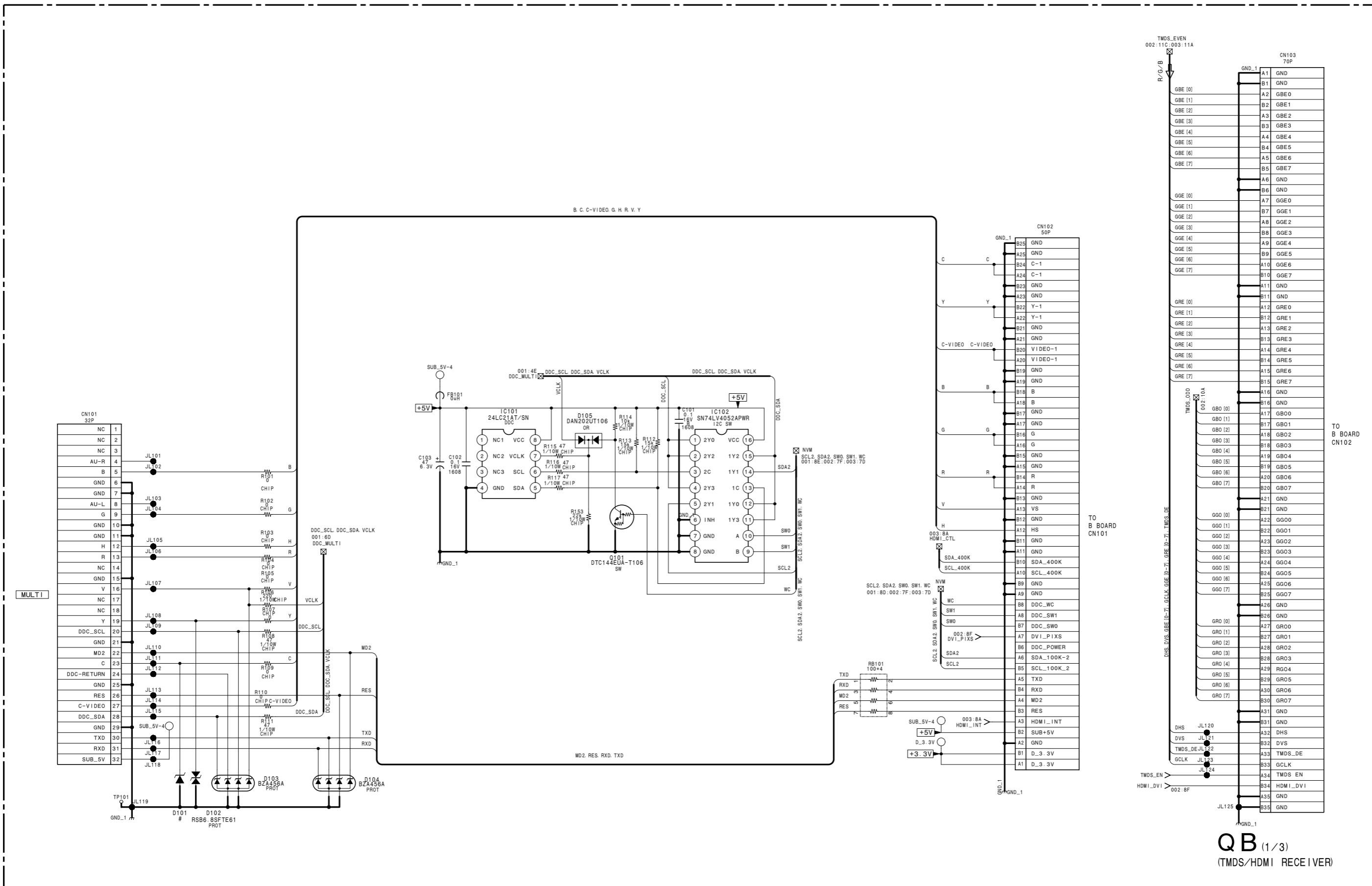
1

2

3

4

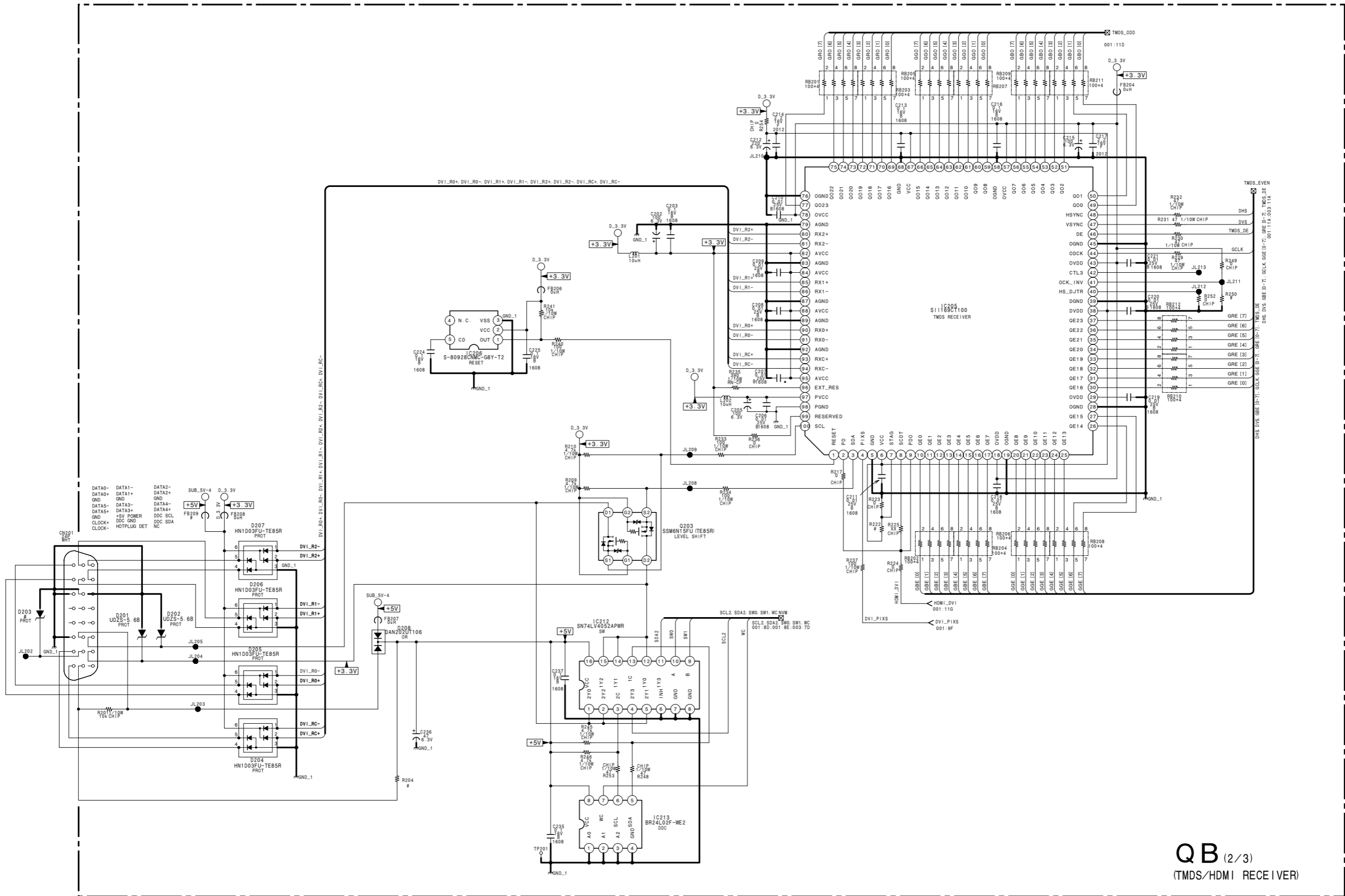
5



QB (1/3)  
(TMDS/HDMI RECEIVER)

TO B BOARD  
CN102

TO B BOARD  
CN101



QB (2/3)  
(TMS/HDMI RECEIVER)

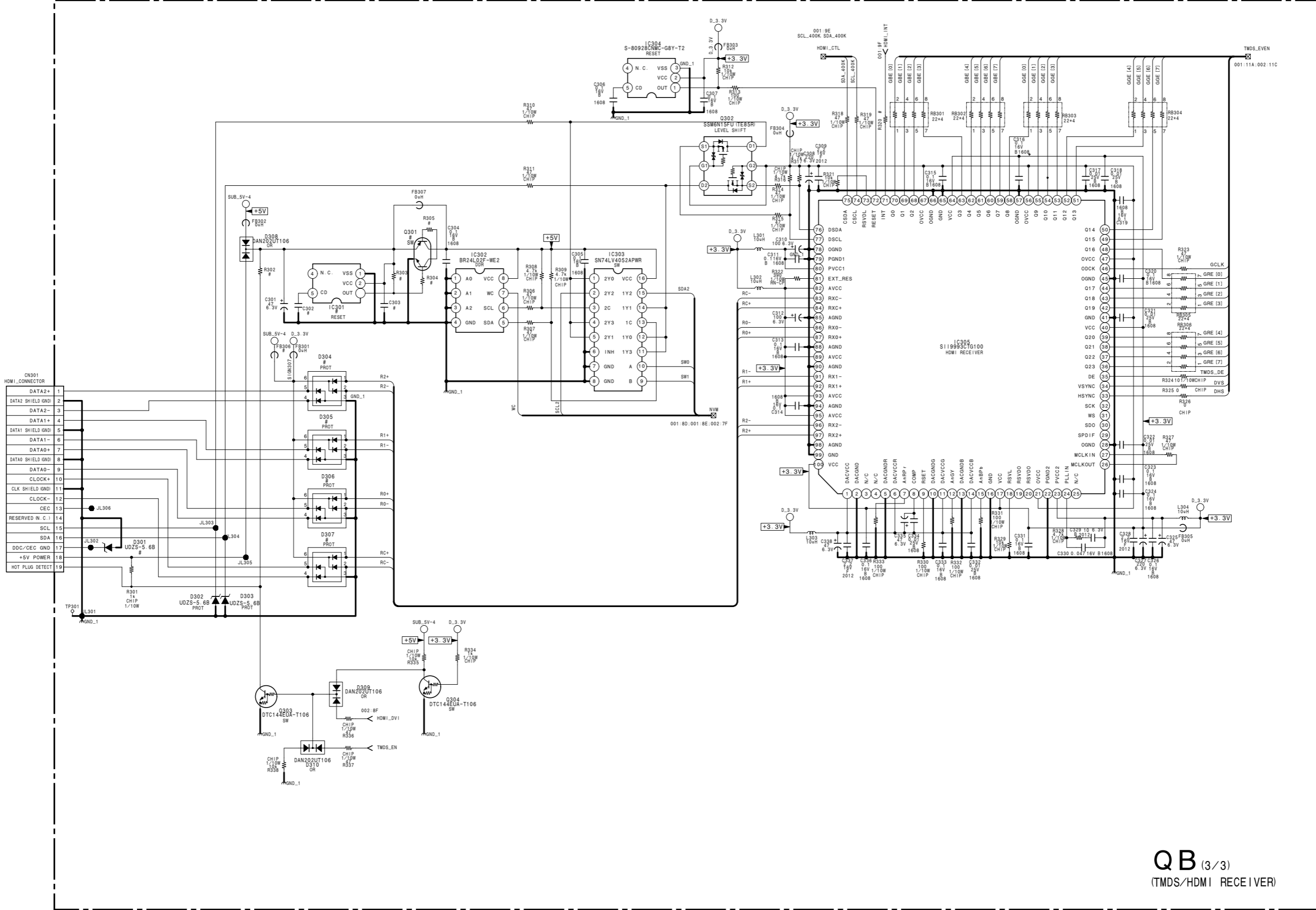
1

2

3

4

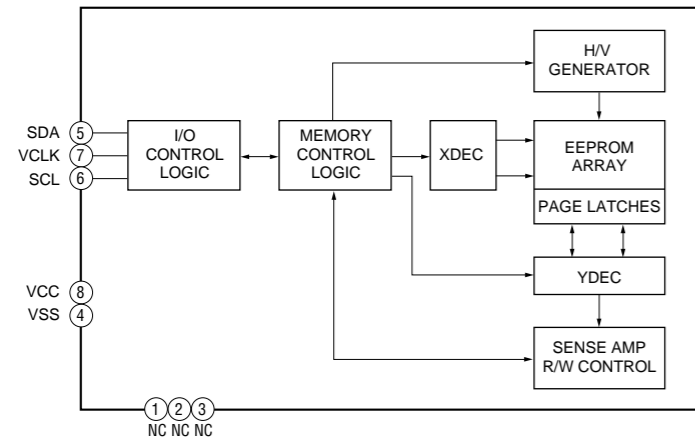
5



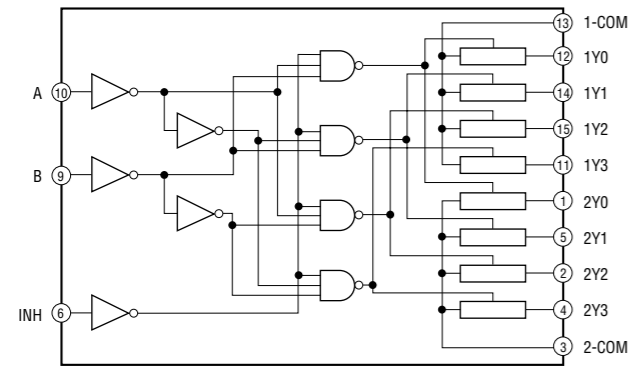
QB (3/3)  
(TMSD/HDMI RECEIVER)



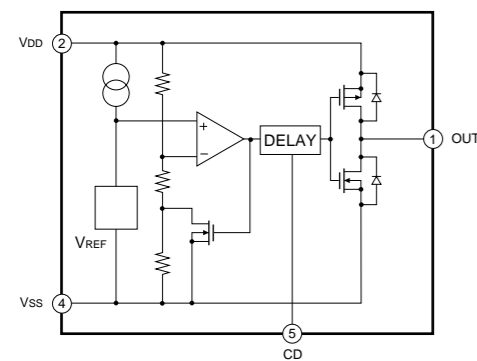
QB (1/3) 24LC21AT/SN (IC101)



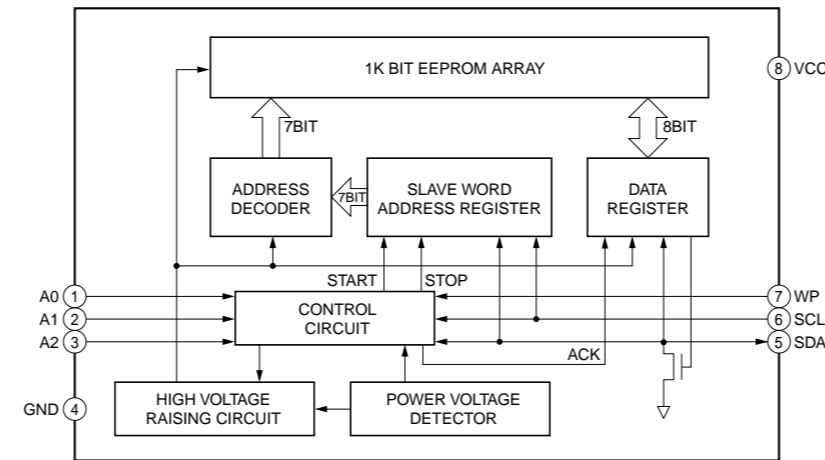
QB (1/3) SN74LV4052APWR (IC102)  
 QB (2/3) SN74LV4052APWR (IC212)  
 QB (3/3) SN74LV4052APWR (IC303)



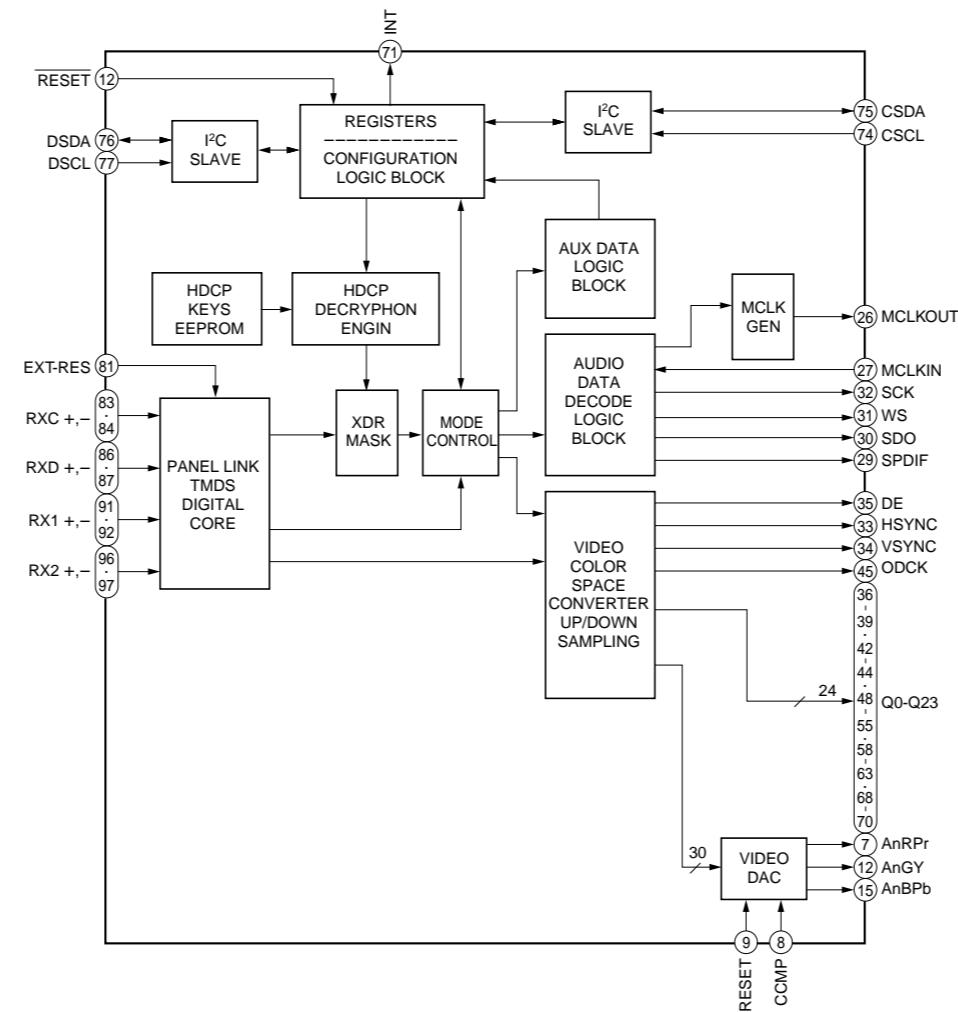
QB (2/3) S-80928CNMC-GBYT2 (IC206)  
 QB (3/3) S-80928CNMC-GBYT2 (IC304)

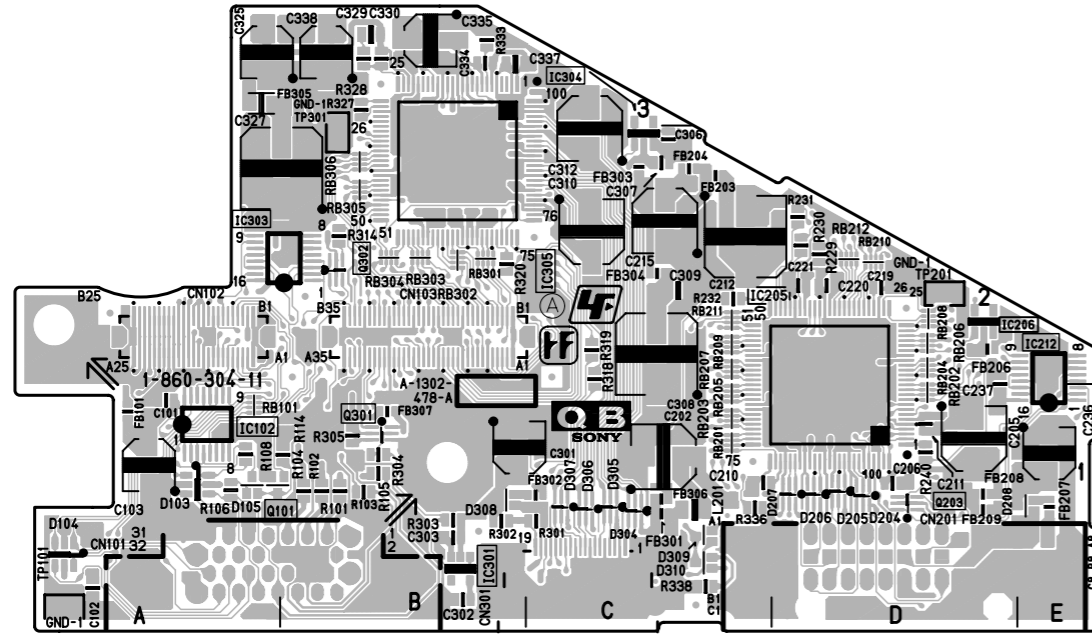


QB (2/3) BR24L02F-WE2 (IC213)  
 QB (3/3) BR24L02F-WE2 (IC302)

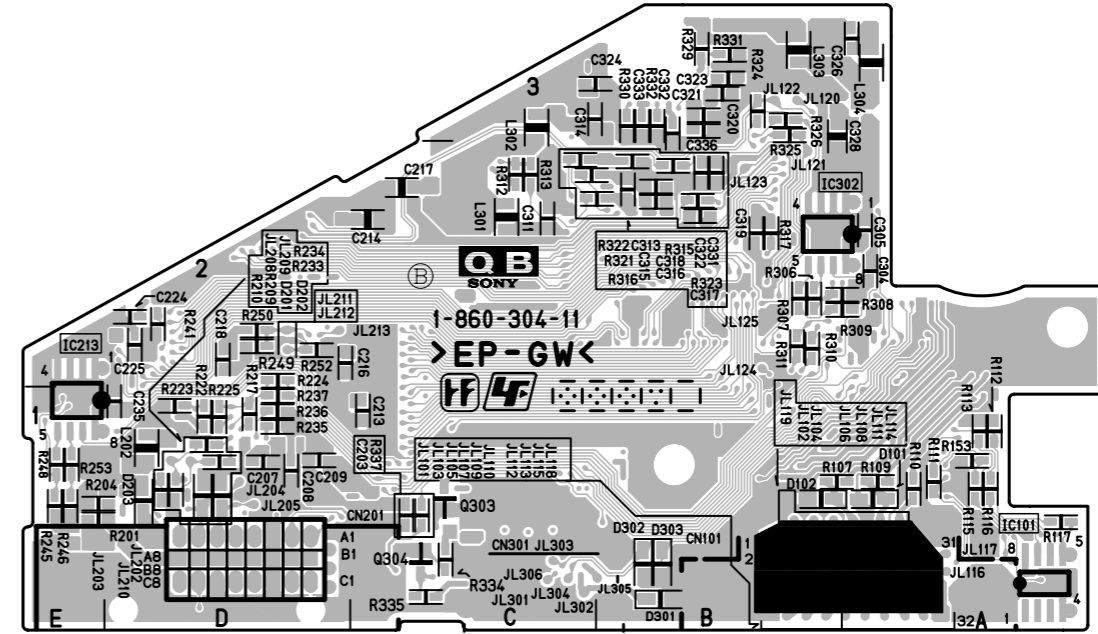


QB (3/3) SII9993CTG100 (IC305)





QB -A SIDE-  
SUFFIX: -11

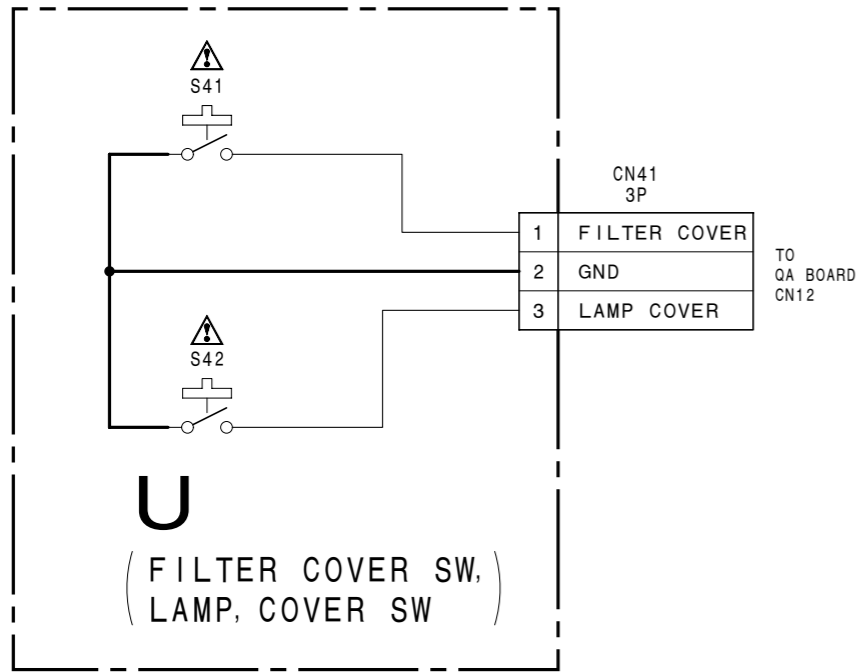


QB -B SIDE-  
SUFFIX: -11

QB Board

\*:B SIDE

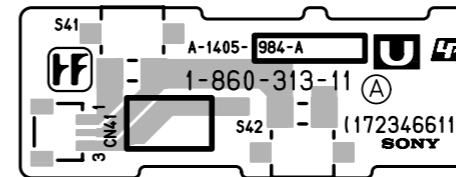
D101	* A-1
D103	A-1
D104	A-1
D105	A-1
D201	* D-1
D202	* D-1
D204	D-1
D205	D-1
D206	D-1
D207	D-1
D208	D-1
D302	* B-1
D303	* B-1
D308	B-1
D309	C-1
D310	C-1
IC101	* A-1
IC102	A-1
IC206	D-2
IC205	C-2
IC212	E-2
IC213	* E-1
IC302	* B-2
IC303	A-2
IC304	C-3
IC305	C-2
Q101	A-1
Q203	D-1
Q302	B-2
Q303	* C-1
Q304	* C-1
TP101	A-1
TP201	D-2
TP301	B-3



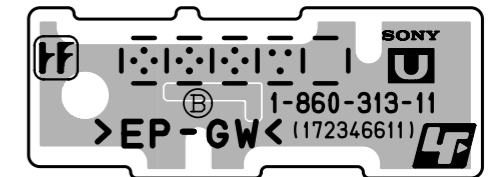
B-SS1757-U-P1

CN41 3P	
1	FILTER COVER
2	GND
3	LAMP COVER

TO  
QA BOARD  
CN12



**U** -A SIDE-  
SUFFIX: -11



**U** -B SIDE-  
SUFFIX: -11

1  
2  
3  
4  
5



## SAFETY CHECK-OUT

After correcting the original service problem, perform the following safety checks before releasing the set to the customer :

Check the metal trim, "metallized" knobs, screws, and all other exposed metal parts for AC leakage. Check leakage as described below.

### LEAKAGE TEST

The AC leakage from any exposed metal part to earth ground and from all exposed metal parts to any exposed metal part having a return to chassis, must not exceed 3.5 mA. Leakage current can be measured by any one of three methods.

1. A commercial leakage tester, such as the Simpson 229 or RCA WT-540A. Follow the manufacturers' instructions to use these instruments.
2. A battery-operated AC milliammeter. The Data Precision 245 digital multimeter is suitable for this job.
3. Measuring the voltage drop across a resistor by means of a VOM or battery-operated AC voltmeter. The "limit" indication is 5.25 V, so analog meters must have an accurate low-voltage scale. The Simpson 250 and Sanwa SH-63Trd are examples of a passive VOM that is suitable. Nearly all battery operated digital multimeters that have a 20 V AC range are suitable. (See Fig. A)

