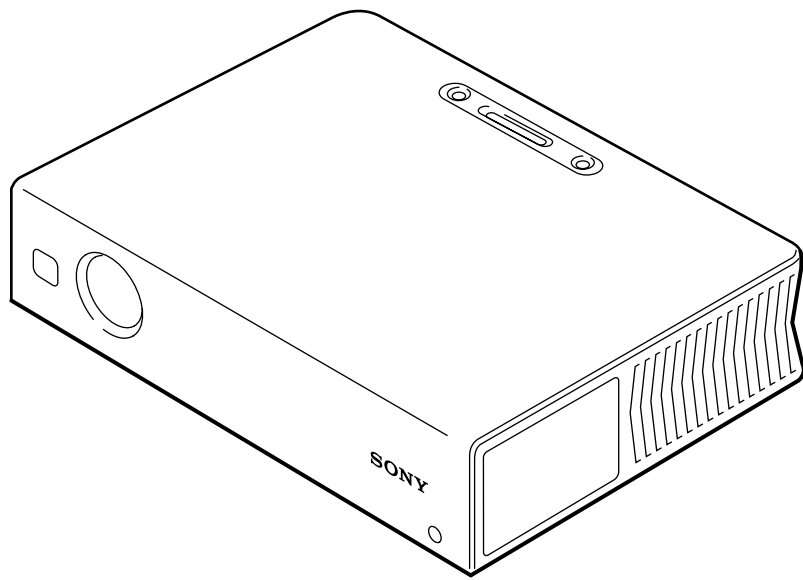


SERVICE MANUAL

<u>MODEL</u>	<u>DEST.</u>	<u>CHASSIS NO.</u>	<u>MODEL</u>	<u>DEST.</u>	<u>CHASSIS NO.</u>
VPL-CS5	WORLD		RM-PJM12	WORLD	
VPL-CX5	WORLD				



DATA PROJECTOR

SONY[®]

⚠ 警告

このマニュアルは、サービス専用です。
お客様が、このマニュアルに記載された設置や保守、点検、修理などを行うと感電や火災、人身事故につながる可能性があります。
危険をさけるため、サービストレーニングを受けた技術者のみご使用ください。

⚠ WARNING

This manual is intended for qualified service personnel only.
To reduce the risk of electric shock, fire or injury, do not perform any servicing other than that contained in the operating instructions unless you are qualified to do so. Refer all servicing to qualified service personnel.

⚠ WARNUNG

Die Anleitung ist nur für qualifiziertes Fachpersonal bestimmt.
Alle Wartungsarbeiten dürfen nur von qualifiziertem Fachpersonal ausgeführt werden. Um die Gefahr eines elektrischen Schlages, Feuergefahr und Verletzungen zu vermeiden, sind bei Wartungsarbeiten strikt die Angaben in der Anleitung zu befolgen. Andere als die angegeben Wartungsarbeiten dürfen nur von Personen ausgeführt werden, die eine spezielle Befähigung dazu besitzen.

⚠ AVERTISSEMENT

Ce manuel est destiné uniquement aux personnes compétentes en charge de l'entretien. Afin de réduire les risques de décharge électrique, d'incendie ou de blessure n'effectuer que les réparations indiquées dans le mode d'emploi à moins d'être qualifié pour en effectuer d'autres. Pour toute réparation faire appel à une personne compétente uniquement.

WARNING!!

AN INSULATED TRANSFORMER SHOULD BE USED DURING ANY SERVICE TO AVOID POSSIBLE SHOCK HAZARD, BECAUSE OF LIVE CHASSIS.
THE CHASSIS OF THIS RECEIVER IS DIRECTLY CONNECTED TO THE AC POWER LINE.

SAFETY-RELATED COMPONENT WARNING !!

COMPONENTS IDENTIFIED BY A **⚠** MARK ON THE SCHEMATIC DIAGRAMS, EXPLODED VIEWS AND IN THE PARTS LIST ARE CRITICAL TO SAFE OPERATION. REPLACE THESE COMPONENTS WITH SONY PARTS WHOSE PART NUMBERS APPEAR AS SHOWN IN THIS MANUAL OR IN SUPPLEMENTS PUBLISHED BY SONY.

ATTENTION!!

AFIN D'ÉVITER TOUT RISQUE D'ÉLECTROCUTION PROVENANT D'UN CHÂSSIS SOUS TENSION, UN TRANSFORMATEUR D'ISOLEMENT DOIT ÊTRE UTILISÉ LORS DE TOUT DÉPANNAGE.
LE CHÂSSIS DE CE RÉCEPTEUR EST DIRECTEMENT RACCORDÉ À L'ALIMENTATION SECTEUR.

ATTENTION AUX COMPOSANTS RELATIFS À LA SÉCURITÉ!!

LES COMPOSANTS IDENTIFIÉS PAR UNE MAPQUE **⚠** SUR LES SCHÉMAS DE PRINCIPE, LES VUES EXPLOSÉES ET LES LISTES DE PIÈCES SONT D'UNE IMPORTANCE CRITIQUE POUR LA SÉCURITÉ DU FONCTIONNEMENT. NE LES REMPLACER QUE PAR DES COMPOSANTS SONY DONT LE NUMÉRO DE PIÈCE EST INDIQUÉ DANS LE PRÉSENT MANUEL OU DANS DES SUPPLÉMENTS PUBLIÉS PAR SONY.

For the customers in the Netherlands
Voor de klanten in Nederland

Hoe u de batterijen moet verwijderen, leest u in de tekst van deze handleiding.

Gooi de batterij niet weg maar lever deze in als klein chemisch afval (KCA).



Für Kunden in Deutschland

Entsorgungshinweis: Bitte werfen Sie nur entladene Batterien in die Sammelboxen beim Handel oder den Kommunen. Entladen sind Batterien in der Regel dann, wenn das Gerät abschaltet und signalisiert "Batterie leer" oder nach längerer Gebrauchsdauer der Batterien "nicht mehr einwandfrei funktioniert". Um sicherzugehen, kleben Sie die Batteriepole z.B. mit einem Klebestreifen ab oder geben Sie die Batterien einzeln in einen Plastikbeutel.

Table of Contents

1. Service Information

1-1.	Board Layout	1-1
1-2.	Disassembly	1-2
1-2-1.	Top Panel Assy Removal	1-2
1-2-2.	Side Panel Assy and L, NR, H2, Q Boards Removal	1-2
1-2-3.	Power Block (Lamp) Removal	1-3
1-2-4.	DC Fan Removal	1-3
1-2-5.	Lens Gear Removal	1-4
1-2-6.	Speaker Assy and DC Fan (Sirocco) Removal	1-4
1-2-7.	C Board Removal	1-5
1-2-8.	MSC and MS (VPL-CX5) Boards Removal	1-5
1-2-9.	GA and GB Boards Removal	1-6
1-2-10.	Optics Block Assy and Lamp Assy Removal	1-7
1-2-11.	PS Com Aperture and In-polarizer (R), (G), (B) Removal	1-8
1-2-12.	Lens Projection Assy and Lamp Duct Assy Removal	1-9
1-2-13.	Prism Block Assy and Out-pre-polarizer (R), (G), (B) Removal	1-10
1-2-14.	DC Fan (Sirocco) and V Board Removal	1-11
1-2-15.	Adjustor Unit Removal	1-11
1-2-16.	Extension Board and Extension Connectors	1-12
1-2-17.	Extension Board and Extension Connectors Connection	1-13
1-2-18.	Warning on Power Connection	1-14

2. Electrical Adjustments

2-1.	Preparation	2-1
2-1-1.	Required Equipment	2-1
2-1-2.	Optical Unit Adjustment	2-1
2-1-3.	How to Enter the Factory Mode	2-2
2-2.	V COM Adjustment	2-2
2-3.	Initial Values of Adjustment Items	2-3
2-4.	Service Know-How	2-8
2-4-1.	When the Prism Block Is Replaced	2-8
2-4-2.	When the C Board Is Replaced	2-8
2-5.	White Balance Adjustment	2-8
2-5-1.	HIGH Mode of INPUT-A	2-8
2-5-2.	LOW Mode of INPUT-A	2-9
2-5-3.	HIGH Mode of VIDEO	2-9
2-5-4.	LOW Mode of VIDEO	2-9
2-6.	Memory Structure	2-10

3. Semiconductors 3-1

4. Spare Parts

4-1. Notes on Spare Parts 4-1
4-2. Exploded Views 4-2
4-3. Electrical Parts List 4-14

5. Block Diagrams

Overall 5-1
C (1/4), Q 5-2
C (2/4) 5-3
C (3/4), H1, H2, L, V, U, NR 5-4
C (4/4) 5-5
MS, MSC 5-6
GA, GB 5-7

6. Diagrams

6-1. Frame Schematic Diagrams 6-2
 Frame (1/2) 6-2
 Frame (2/2) 6-3
6-2. Schematic Diagrams and Printed Wiring Boards 6-4
 Schematic Diagrams
 Q 6-4
 C (1/10) 6-6
 C (2/10) 6-7
 C (3/10) 6-8
 C (4/10) 6-9
 C (5/10) 6-10
 C (6/10) 6-11
 C (7/10) 6-12
 C (8/10) 6-13
 C (9/10) 6-14
 C (10/10) 6-15
 H1 6-20
 H2 6-20
 L 6-22
 NR 6-22
 U 6-22
 V 6-22
 MSC (1/2) 6-24
 MSC (2/2) 6-25

MS (1/3)	6-27
MS (2/3)	6-28
MS (3/3)	6-29
GA	6-31
GB	6-34

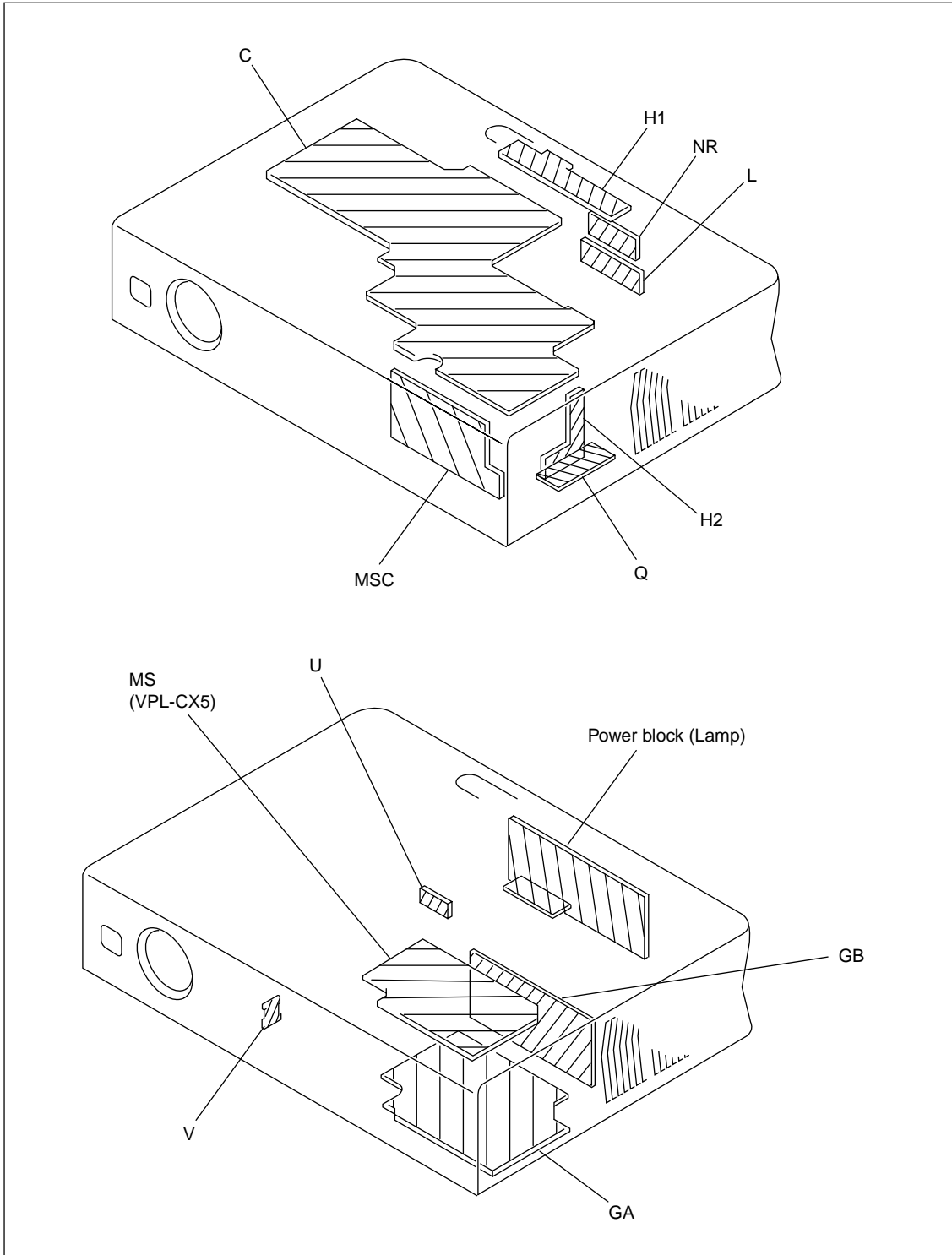
Printed Wiring Boards

Q	6-5
C	6-16
H1	6-21
H2	6-21
L	6-23
NR	6-23
U	6-23
V	6-23
MSC	6-26
MS	6-30
GA	6-32
GB	6-35

Section 1

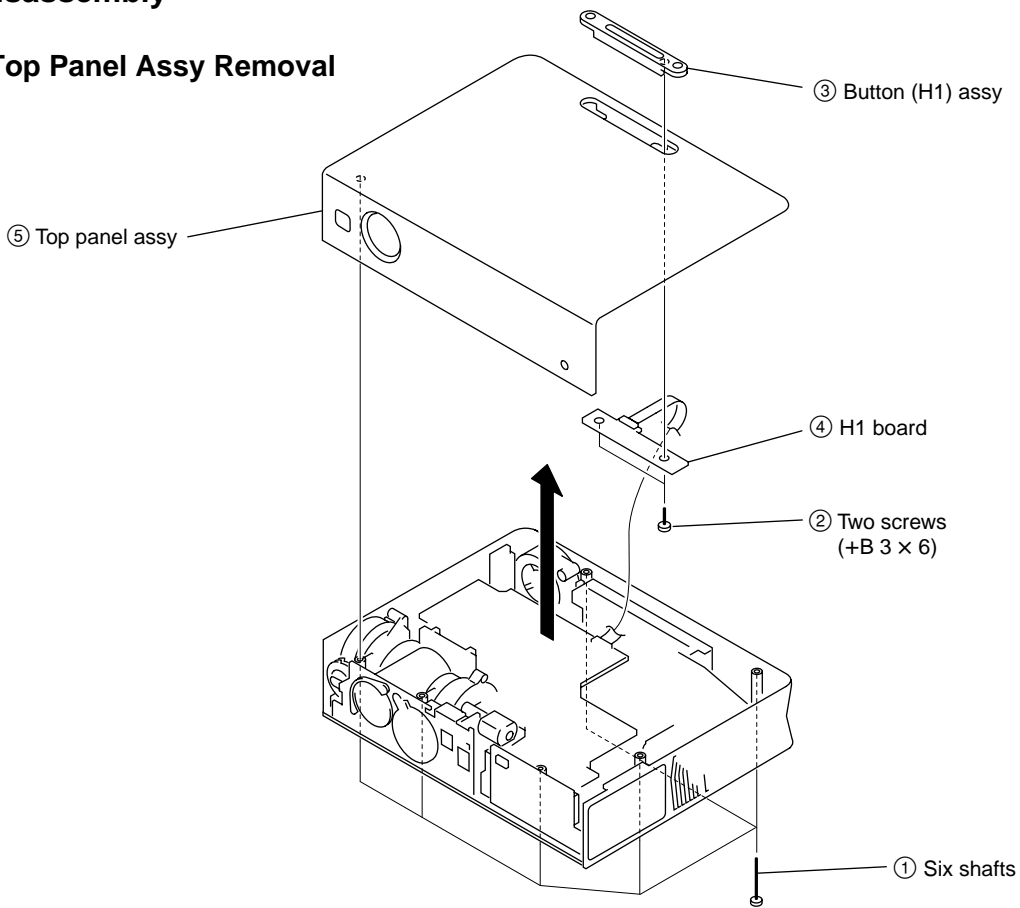
Service Information

1-1. Board Layout

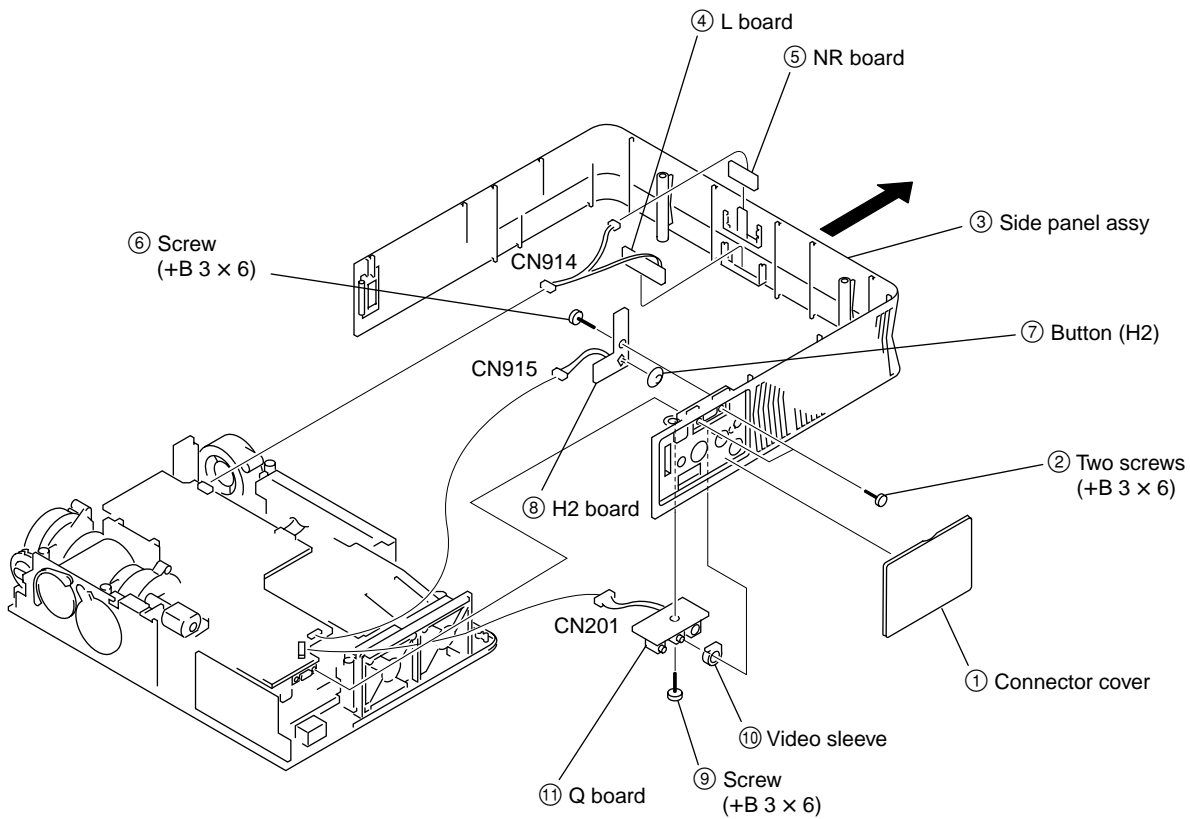


1-2. Disassembly

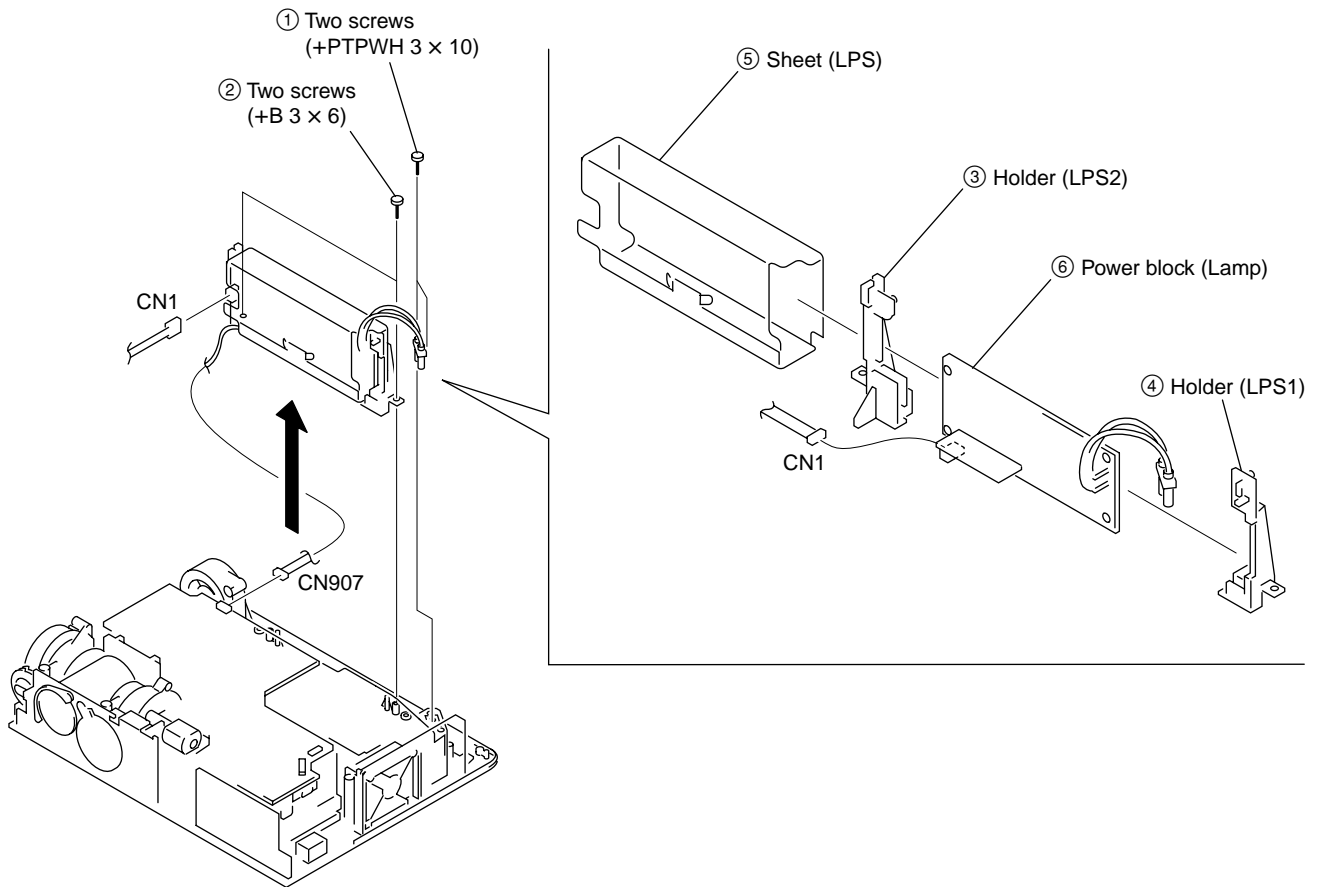
1-2-1. Top Panel Assy Removal



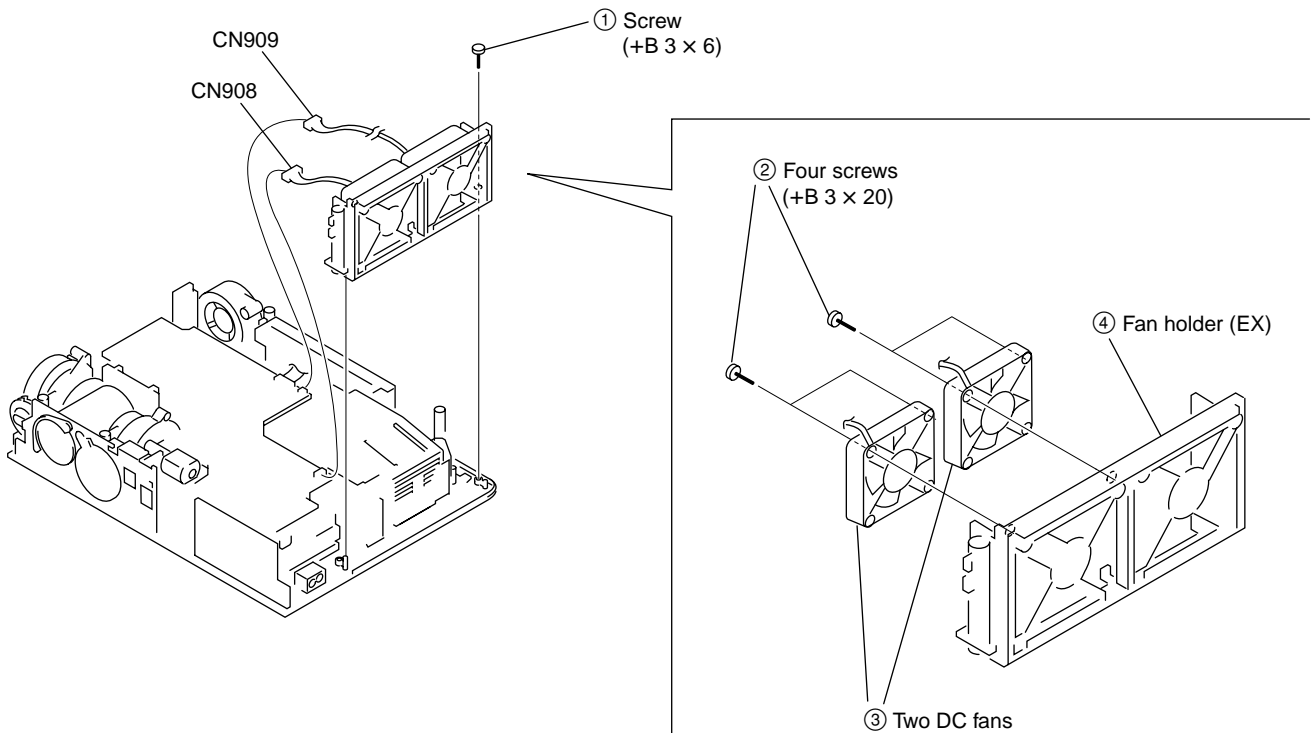
1-2-2. Side Panel Assy and L, NR, H2, Q Boards Removal



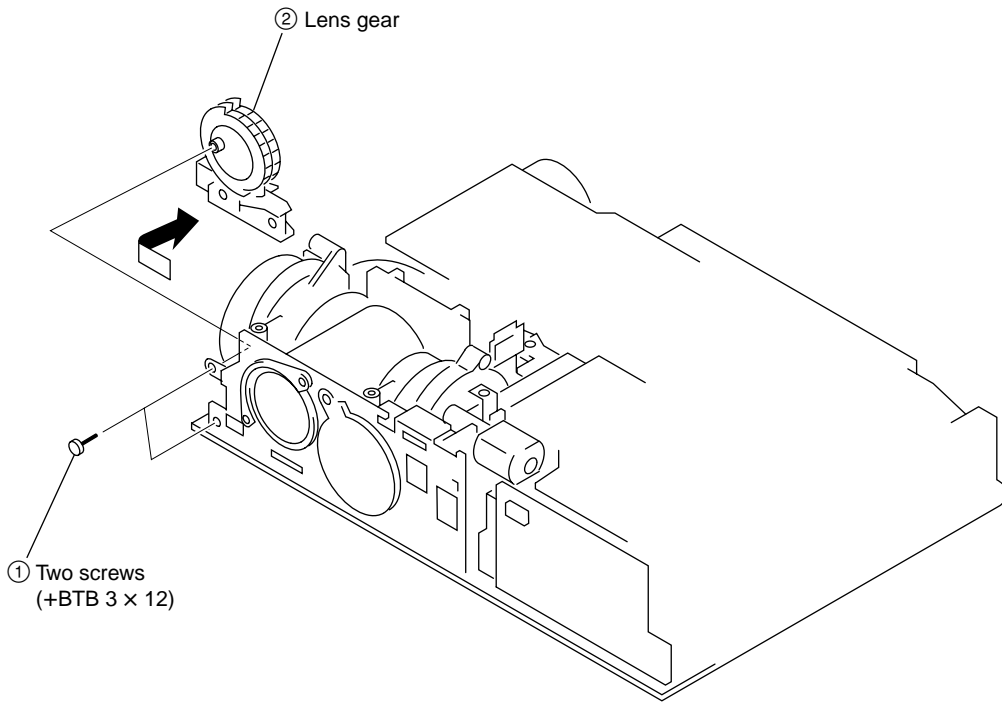
1-2-3. Power Block (Lamp) Removal



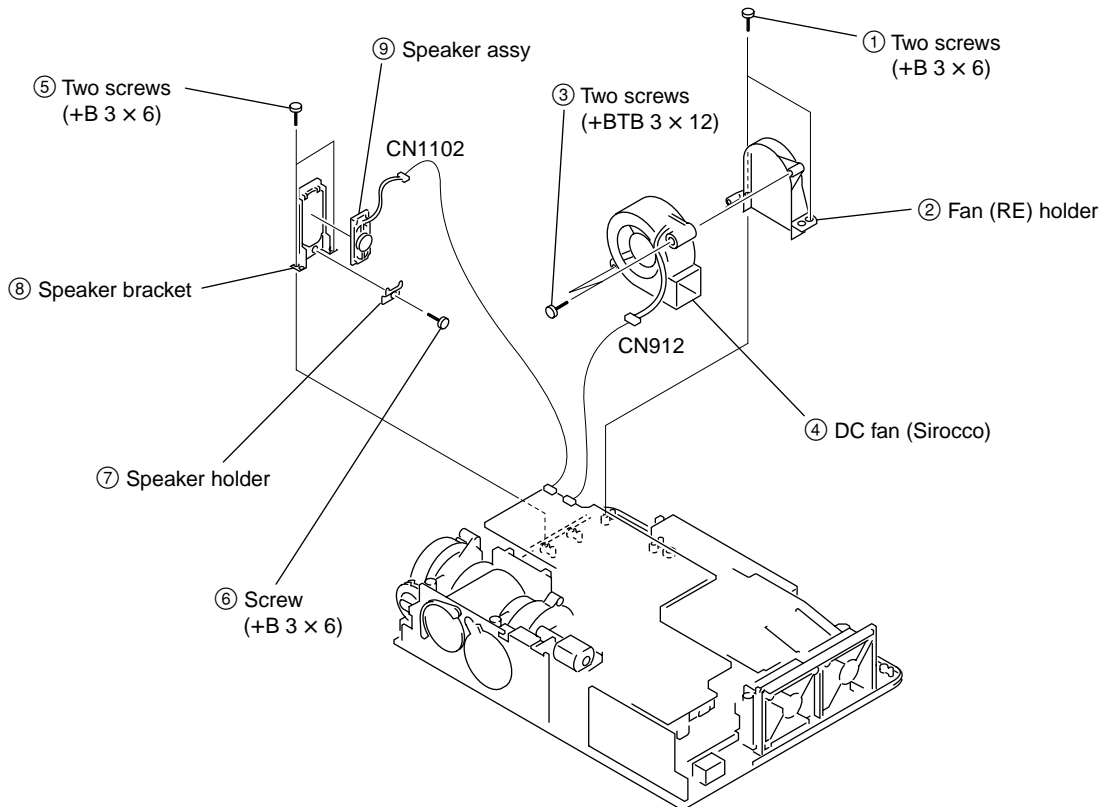
1-2-4. DC Fan Removal



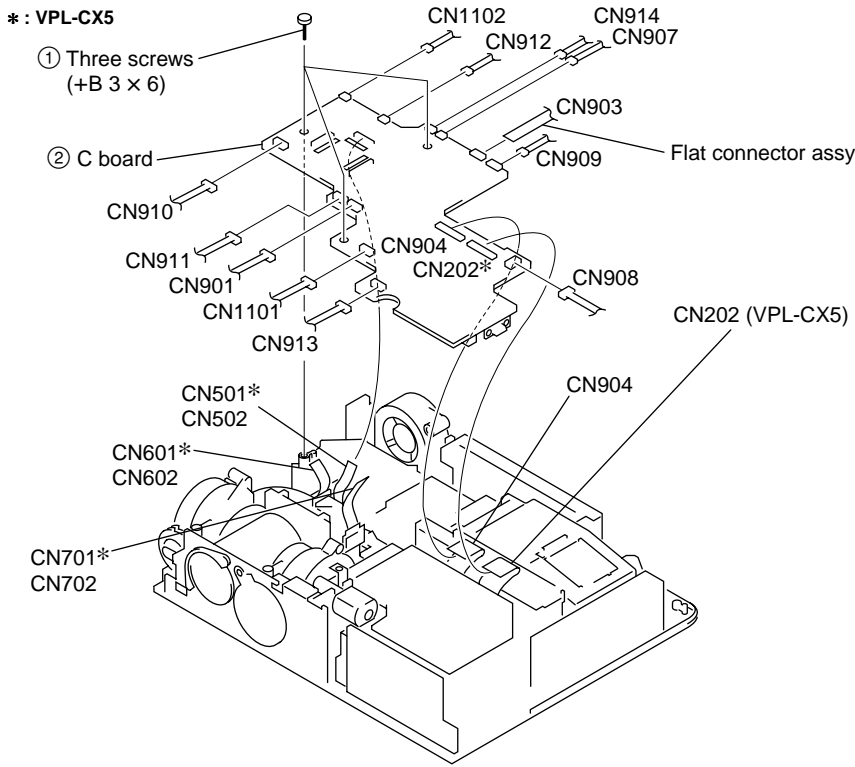
1-2-5. Lens Gear Removal



1-2-6. Speaker Assy and DC Fan (Sirocco) Removal

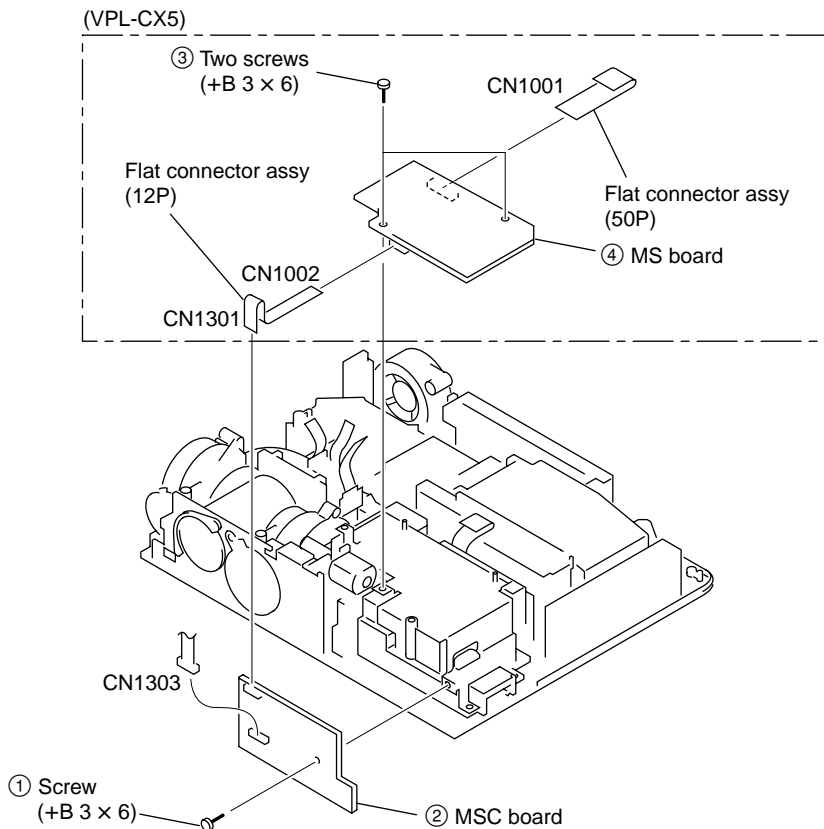


1-2-7. C Board Removal



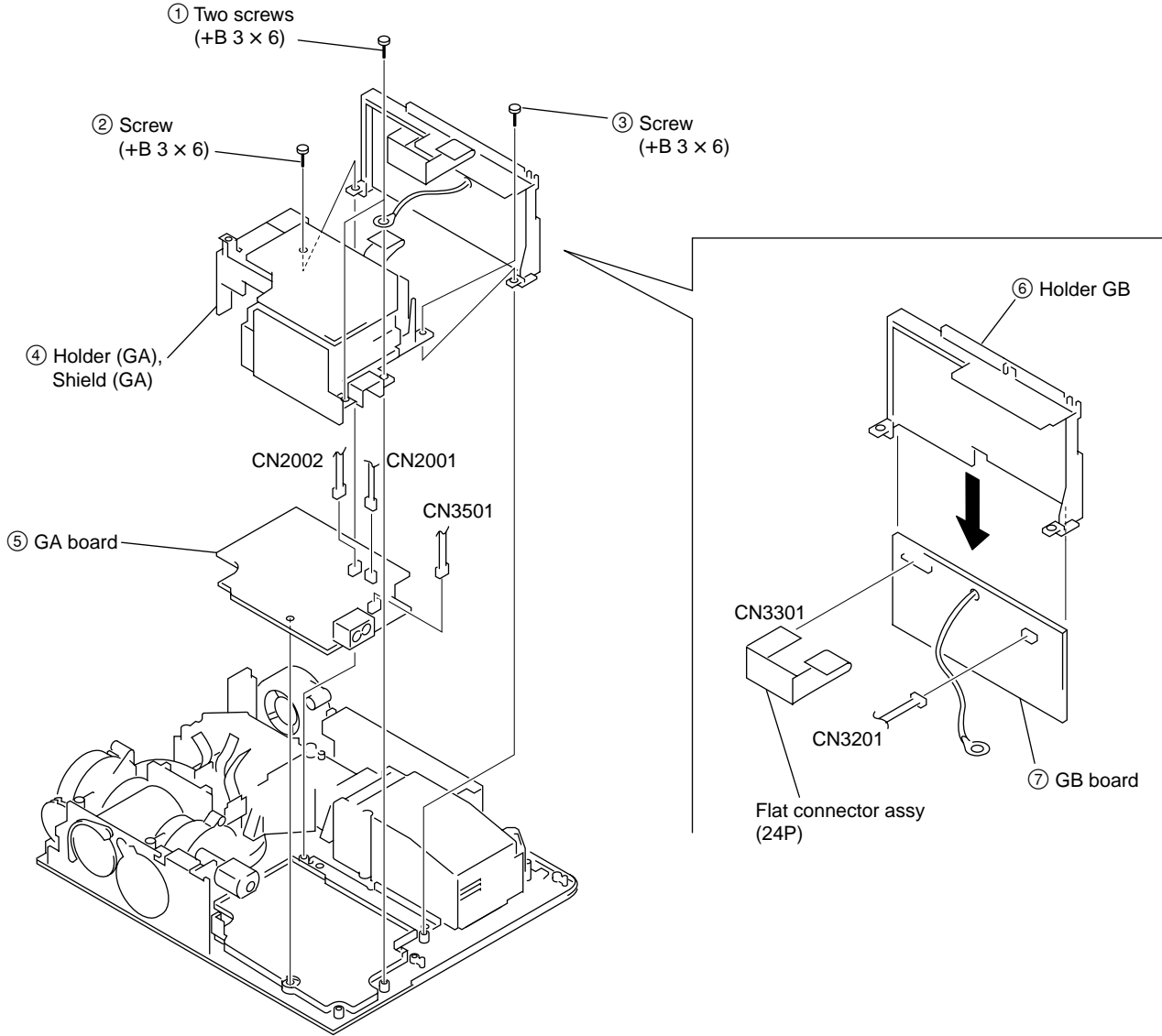
1-2-8. MSC and MS (VPL-CX5) Boards Removal

To remove the MS board, remove the C board beforehand.



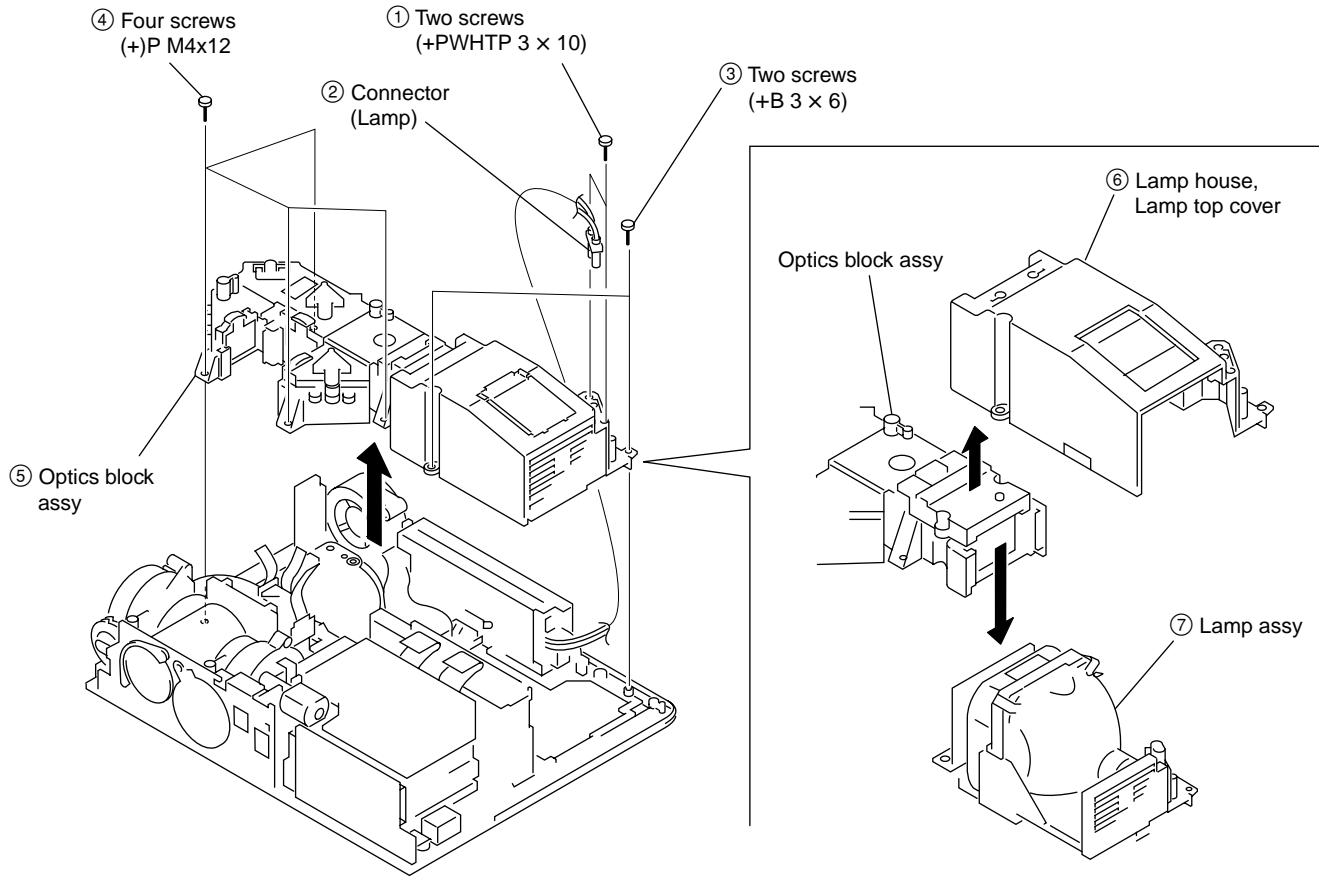
1-2-9. GA and GB Boards Removal

To remove the GA and GB boards, remove the C board beforehand.

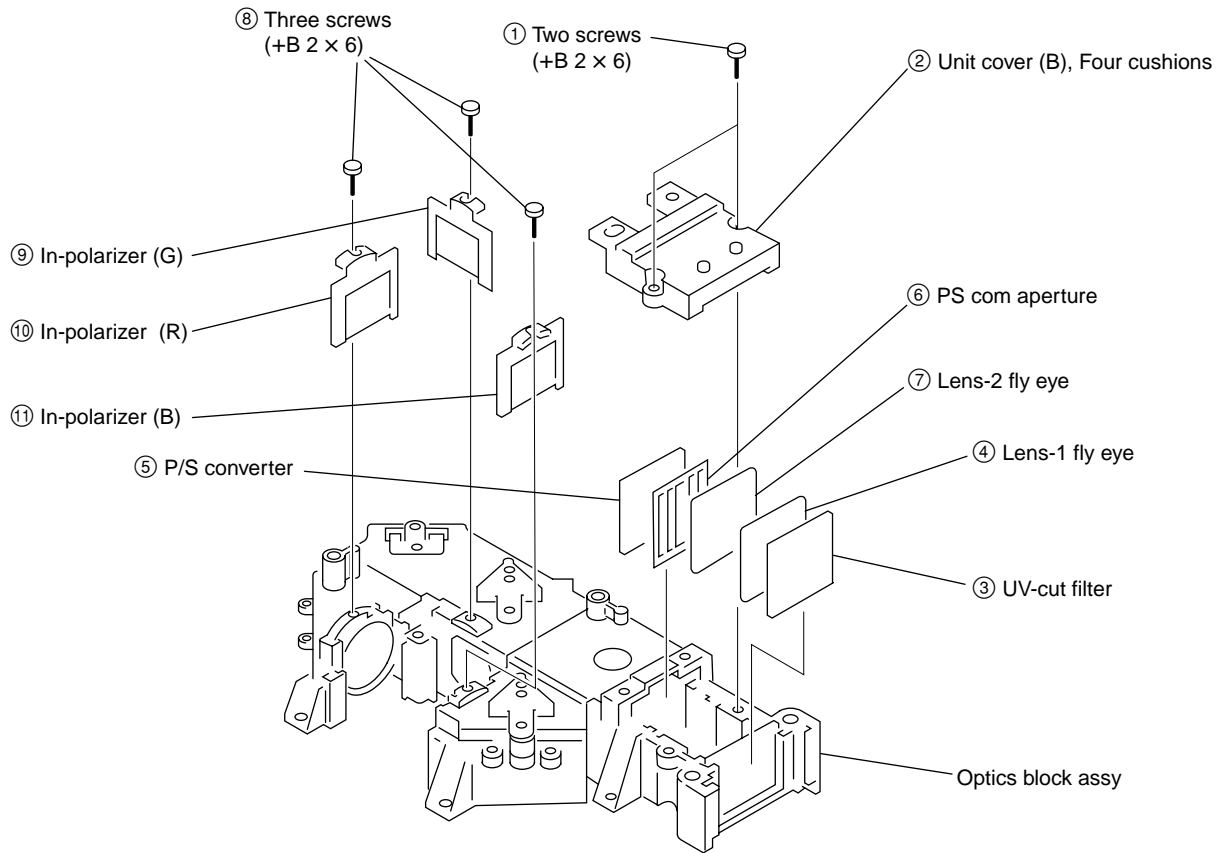


1-2-10. Optics Block Assy and Lamp Assy Removal

To remove the optics block assy and lamp assy, remove the DC fan beforehand.



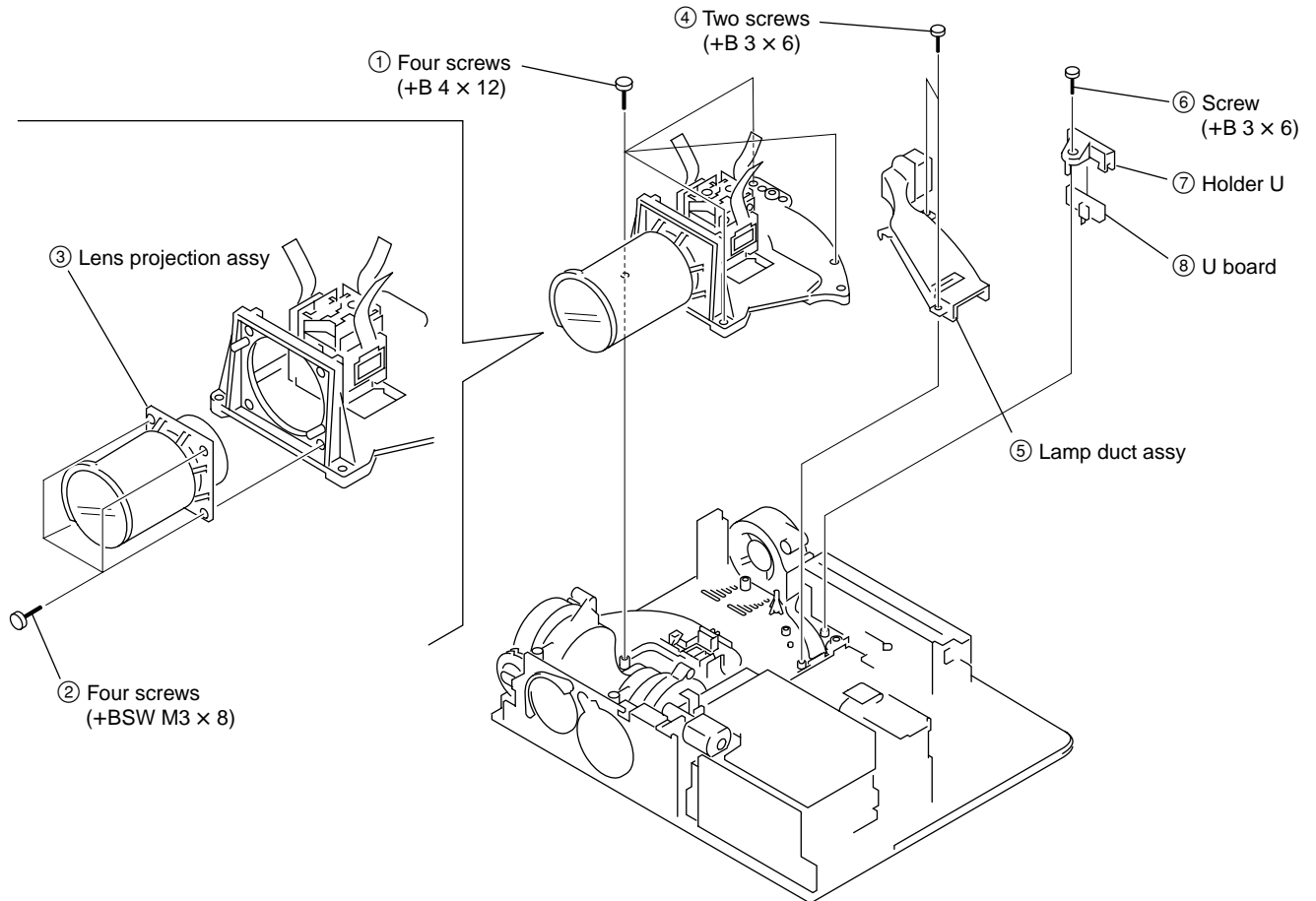
1-2-11. PS Com Aperture and In-polarizer (R), (G), (B) Removal



Note : Do not disassemble the optical block unless specified by the above views.

1-2-12. Lens Projection Assy and Lamp Duct Assy Removal

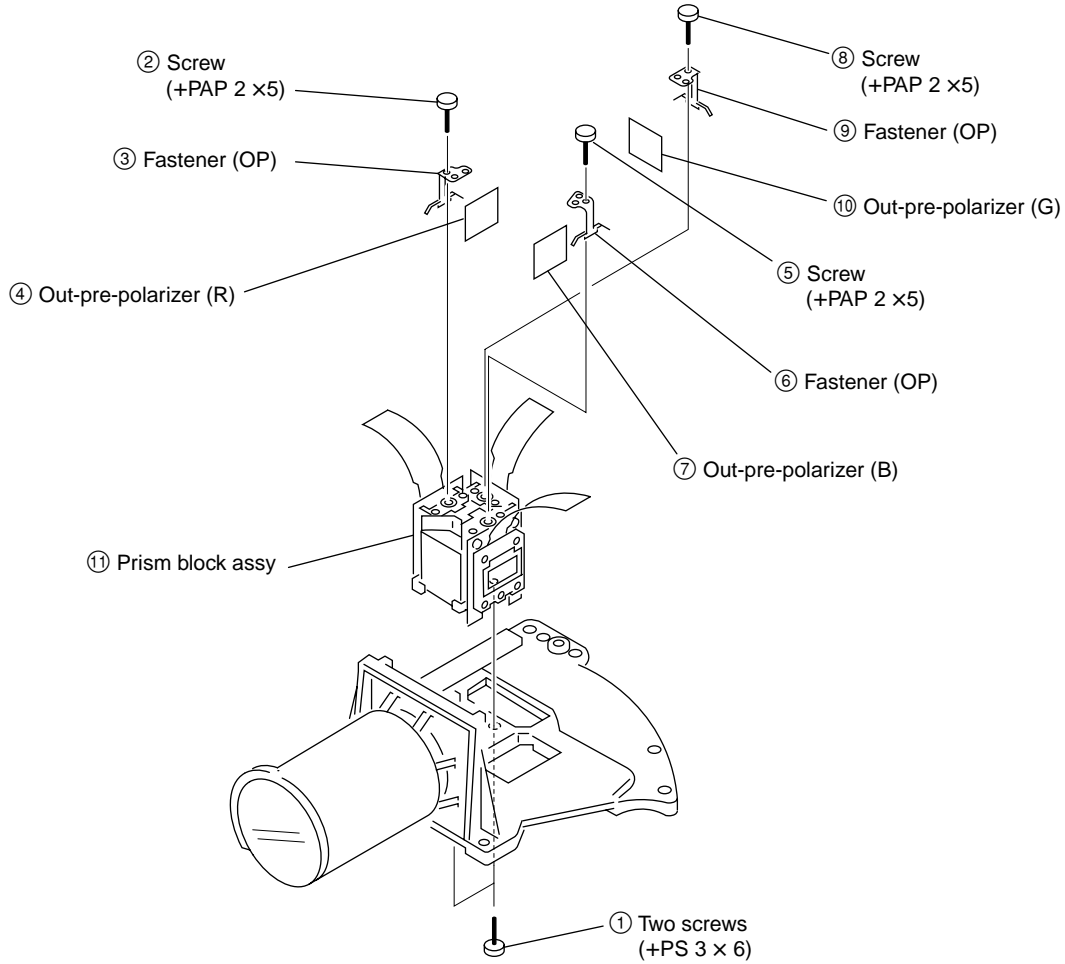
To remove the lens projection assy and lamp duct assy, remove the C board, optics block assy and lamp assy beforehand.



1-2-13. Prism Block Assy and Out-pre-polarizer (R), (G), (B) Removal

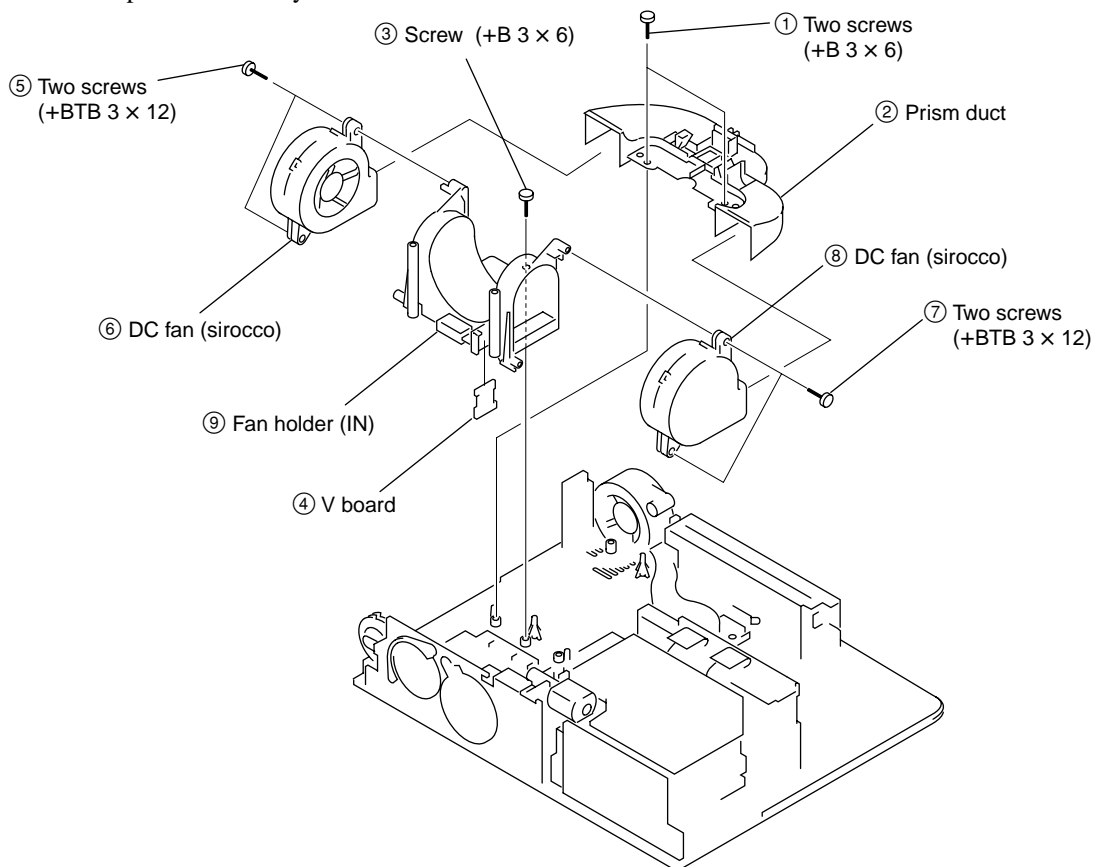
Note

Do not touch the flexible cable, glass surface of prism and especially the conductor surface of flexible cables.



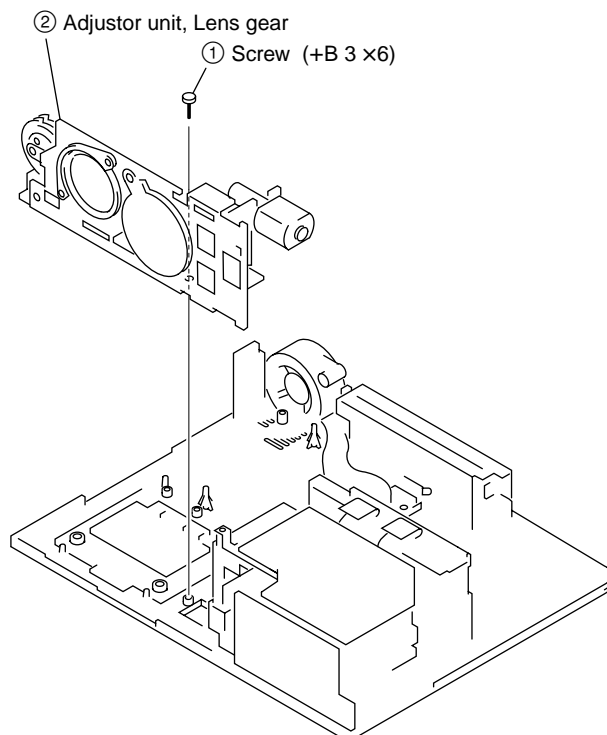
1-2-14. DC Fan (Sirocco) and V Board Removal

To remove the DC fan (sirocco) and V board, remove the C board, optics block assy, lamp assy and prism block assy beforehand.

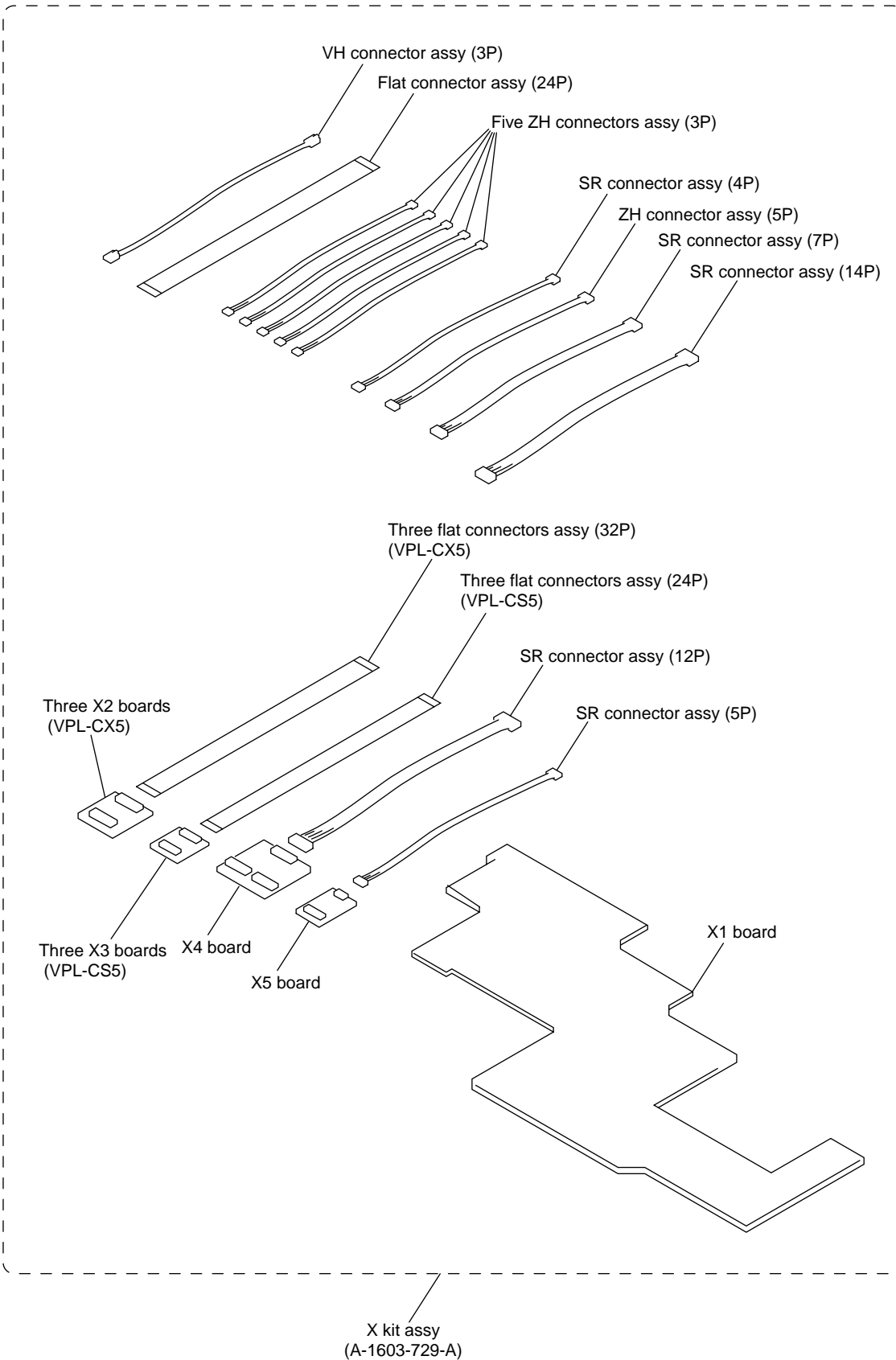


1-2-15. Adjustor Unit Removal

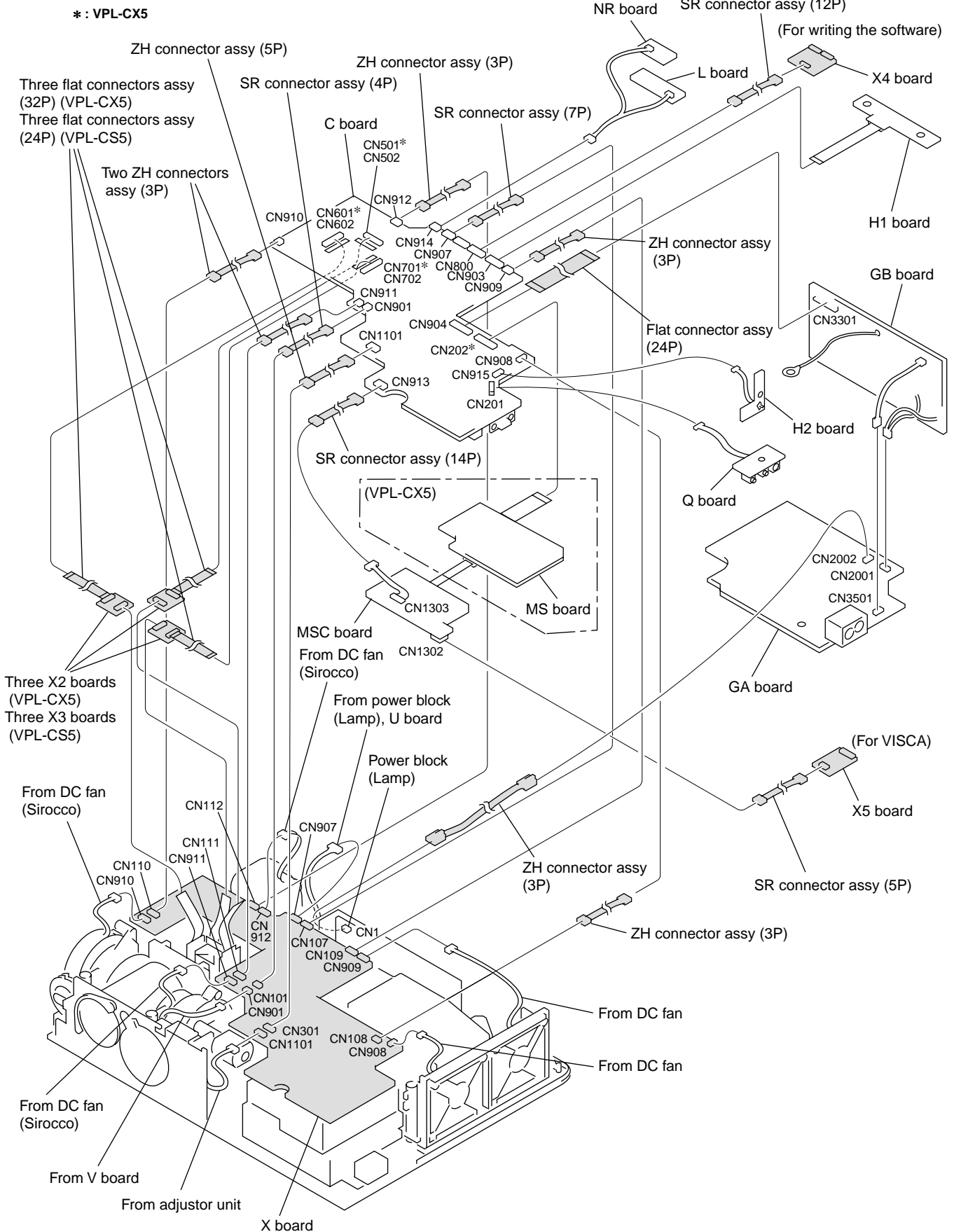
To remove the adjustor unit, remove the C board, lamp assy, prism block assy and DC fan (sirocco) beforehand.



1-2-16. Extension Board and Extension Connectors



1-2-17. Extension Board and Extension Connectors Connection



1-2-18. Warning on Power Connection

Use the supplied power cord when you use the projector in your country.
Otherwise, use a proper power cord meeting the following specification.

	The United States, Canada	Continental Europe, Korrea	UK	Australia	Japan
Plug type	YP-11	YP-21	SP-61	B8	YP-13
Female end	YC-13L	YC-13L	YC-13L	C7-2	YC-13L
Cord type	SPT-2	H03VVH2-F	H03VVH2-F	H03VVH2-F	VFF
Rated Voltage & Current	10 A/125 V	2.5 A/250 V	2.5 A/250 V	2.5 A/250 V	7 A/125 V
Safety approval	UL/CSA	VDE	BS	SAA	DENAN
Cord length (max.)	4.5 m	–	–	–	–

Section 2

Electrical Adjustments

2-1. Preparation

2-1-1. Required Equipment

- Oscilloscope
Sony Tektronix 2465 or equivalent (350 MHz band width or more)
- NTSC, PAL, SECAM component signal generator
Sony Tektronix TG2000 + AVG1 (option module) + AWVG1 (option module) or equivalent
- VG (programmable video signal generator)
VG814 or equivalent
- Digital voltmeter
Advantest TR6845 or equivalent
- Illuminance meter

Note

Allow the warm-up time of 5 minutes after the power is on before starting the following adjustments.

2-1-2. Optical Unit Adjustment

Rotate the cooling fan and turn on the lamps.

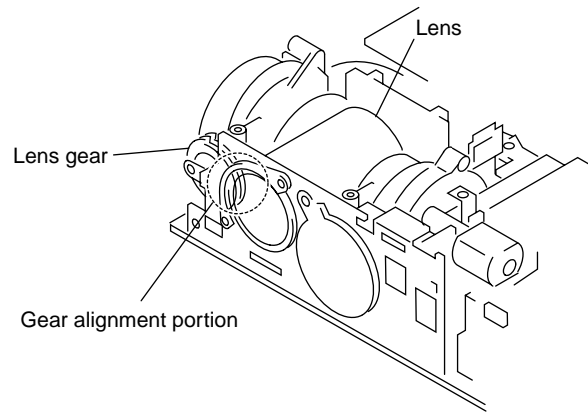
(1) Mirror adjustment

Adjust the screen size to 80 inch at the WIDE end.

1. Select the green only mode.
2. Check to see if there is any black zone at the top, bottom, left or right of screen. If there is any black zone on screen, loosen the adjustment plate fixing screw and adjust the G dichroic mirror for minimum black zone.
3. Tighten the adjustment plate fixing screw.
4. Select the cyan only mode.
5. Check to see if there is any black zone at the top, bottom, left or right of screen. If there is any black zone on screen, loosen the adjustment plate fixing screw and adjust the RB mirror adjustment plate for minimum black zone and the blue color is distinguish- ing.
6. Tighten the adjustment plate fixing screw.
7. Select the all white mode.
8. Check to see if there is any black zone at the top, bottom, left or right of screen. If there is any black zone on screen, loosen the adjustment plate fixing screw and adjust the RB mirror adjustment plate for minimum black zone and the red color is distinguish- ing.

9. Tighten the adjustment plate fixing screw.
10. Tighten the six adjustment plate fixing screws manual- ly with a torque driver.
Tightening torque: 0.19 ± 0.03 Nm
11. Check to see that the illumination range error is within the tolerable limit.

When installing the optical unit in this model, alignment of the gear tooth position is required. Perform the following steps.



Procedure

1. Rotate the lens focus and zoom in the fully clockwise positions. Lock the dial in the direction shown in Fig. 1.

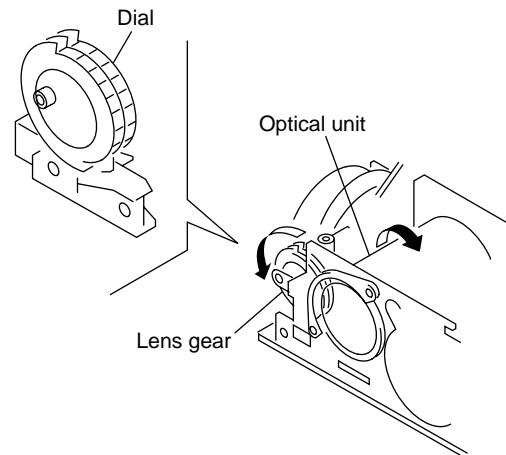


Fig. 1

- Align the marking position of the optical unit gear with the protrusion of the lens gear approximately by visual observation as shown below.

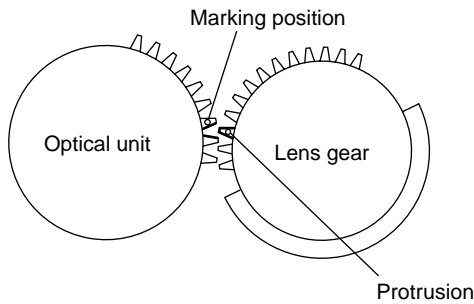
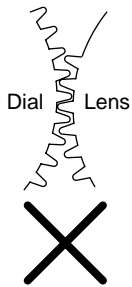


Fig. 2

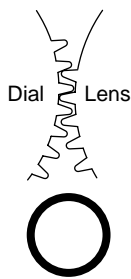
Confirmation

When the optical unit is installed, rotate the gears upwards and check to see engagement of the gears.

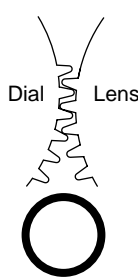
Teeth of the dial gear are positioned higher than the lens gear by three teeth.



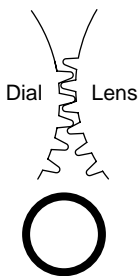
Teeth of the dial gear are positioned higher than the lens gear by two teeth.



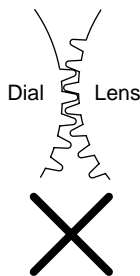
Teeth of the dial gear are positioned higher than the lens gear by one tooth.



Teeth of the lens gear are positioned higher than the dial gear by one tooth.



Teeth of the lens gear are positioned higher than the dial gear by two teeth.



2-1-3. How to Enter the Factory Mode

- Confirm that the MENU can be displayed.
- Close the MENU.
- Press the keys in the following order : **ENTER** → **ENTER** → **←** → **ENTER**.

The message [Do you want to enter the Factory Mode? Yes : ↑ No : ↓] appears.
Select [Yes : ↑].

[Supplementary information: How to Exit the Factory Mode]

Perform the step 3 KEY operation.

The message [Do you want to return to the User Mode? Yes : ↑ No : ↓] appears.
Select [Yes : ↑].

Note

In the Factor mode, you can close the lens shutter if you keep pressing the TILT key even though the lamp lights. If the machine is left in this state for long hours, the lens shutter may melt in the worst case. Be sure to confirm that the lens shutter is not closed when the lamp lights in the Factory mode.

2-2. V COM Adjustment

- Input the green-only, 30 IRE single-line ON/OFF signal to the input connector.
(VPL-CS5 : SVGA signal, VPL-CX5 : XGA signal)
- Enter the G VCOM adjustment screen of the Device Adjust.
- Adjust the G VCOM value so that the flicker is minimal.
- Switch the input signal from green-only to red-only then to blue only single-line ON/OFF signal. In the same way as step 3, adjust the R VCOM and B VCOM values respectively so that the flicker is minimal.
- Take note of the adjustment values.
- Set the "Image Flip" to either V or HV.
- Input the above R/G/B adjustment values.
- Take note of the adjustment values.
- Set the "Image Flip" to OFF.

2-3. Initial Values of Adjustment Items

Menu Title	Item Name	Set Memory	Status Memory	Memory Name												Remark		
				Picture Memory						W/B Memory								
				Video		S Video		Input-A		MS		Video		Computer				
				Dynamic	Standard	Dynamic	Standard	Dynamic	Standard	Dynamic	Standard	High	Low	High	Low			
PICTURE SETTING	Picture Mode		Standard															
	Adjust Picture...																	
	Contrast			95	80	95	80	95	80	95	80							
	Brightness			40	50	40	50	40	50	40	50							
	Color			50	50	50	50	50	50	50	50							
	Hue			50	50	50	50	50	50	50	50							
	Sharpness			Middle	Middle	Middle	Middle	Middle	Middle	Middle	Middle							
	RGB Enhancer			-	-	-	-	20	20	20	20							
	Gamma Mode			-	-	-	-	Graphics	Graphics	Graphics	Graphics							
	Color Temp.			Low	Low	Low	Low	Low	High	High	High							
	Volume	30																
	INPUT SETTING	Adjust Signal...																
Dot Phase				15 (*)														
H Size				*														
Shift				*														
Wide Mode				Off	Off	Off	Off	Off	Off	Off	Off							
SET SETTING	Scan Conv																	
	Smart APA	On																
	Auto Input Search	Off																
	Input-A Signal Sel.	Computer																
	Color System	Auto																
	Power Saving	Off																
	Status	On																
MENU SETTING	Language	English																
	Menu Position	Center																
	Menu Color	White																

Menu Title	Item Name	Memory Name											Remark				
		Set Memory	Status Memory	Picture Memory						W/B Memory							
				Video	S Video	Input-A	MS	Video	Computer	High	Low	High		Low			
Dynamic	Standard	Dynamic	Standard	Dynamic	Standard	Dynamic	Standard	Dynamic	Standard	Dynamic	Standard	Dynamic	Standard	Dynamic	Standard		
INSTALL SETTING	Tilt...																
	V Keystone	Auto															
	Manual...	0															
	Image Flip	Off															
	Background	Blue															
	Lamp Mode	Low															
	fH	Display only															
	fV	Display only															
	(Memory No.)	Display only															
	(Resolution)	Display only															
INFORMATION	Lamp Timer	Display only															
	ROM Version	Display only															
	SC ROM Version	Display only															
	Operation Timer	Display only															
	Prev. Lamp Timer	Display only															
	Gain R											182	182	160	160		
	Gain G											182	150	160	140		
	Gain B											182	160	160	150		
	Bias R											85	85	85	85		
	Bias G											85	85	85	85		
Bias B											85	85	85	85			
W/B SETTING																	

* The "Dot Phase E, H Size, Shift H/V and Picture Mode" items in the "INPUT SETTING" menu have their respective initial values for each input signal (PRESET MEMORY No.).

Note

There are some adjustment items that cannot be adjusted, depending on the input signal.

Device Name	Item Name	Memory Name											Remark					
		Set Memory	Status Memory	Chroma Memory			Channel Memory				Image Flip Memory							
				NT358/ NT443/ BW60	Pal/Pal-M/ N/Secam/ BW50	15kRGB	Component (15k)	Video	S Video	Input-A	MS	Up/Down inversion is possible		Up/Down inversion is impossible				
A/D Converter	Clamp Position																Fixed value	
	Clamp Width		8														Fixed value	
	R Gain	100															Fixed value	
	G Gain	100															Fixed value	
	B Gain	100															Fixed value	
	R Offset	128															Fixed value	
	G Offset	128															Fixed value	
	B Offset	128															Fixed value	
	Sync Sep Th	32															Fixed value	
	Pre Coast		2														Fixed value	
	Post Coast		8														Fixed value	
	Chroma/ D.Comb	Ch1 Gain									20	20	144	144				
		Ch2 Gain									144	16	160	160				
Video Bit						140	124	128	128								Fixed value	
Video Cont						64	64	64	64								Fixed value	
Sub Color						56	56	56	56								Fixed value	
LCBW										0	0	0	0	0			Fixed value	
Y-DeLay *																	Fixed value	
Ch3 Gain										144	144	160	160					
Ch4 Gain										144	144	160	160					
YUV Bit						128	128	128	128									Fixed value
YUV Cont					64	64	64	64									Fixed value	
AOSL	-																	
1E	Display only																	
1F	Display only																	

Device Name	Item Name	Memory Name										Remark						
		Set Memory	Status Memory	Chroma Memory			Channel Memory			Image Flip Memory								
				NT358/ NT443/ BW60	Pal/Pal-M/ N/Secam/ BW50	15kRGB Component (15k)	Video	S Video	Input-A	MS	Up/Down inversion is possible		Up/Down inversion is impossible					
Panel Driver	Offset R												214	214				
	Offset G												214	214				
	Offset B												214	214				
	V Common R												55/65	55/65				
	V Common G												55/65	55/65				
	V Common B												55/65	55/65				
	Psig 1	58/138														Fixed value		
	Psig 2	135/53														Fixed value		
	Signal Center	193																
	Gain R	166																
	Gain G	166																
	Gain B	166																
	DCFB Off	1															Fixed value	
Sample Hold/	SH1	7/8														Fixed value		
Other/	V Corn Ptn Enb	Adj, not possible																
Other	Installation	0																
	3D	Sub Cont	0														Fixed value	
	Gamma	Sub Brt	0															Fixed value
		R Osd Lvl	31															Fixed value
		G Osd Lvl	31															Fixed value
		B Osd Lvl	31															Fixed value
		Through	0															Fixed value
		SW	1															Fixed value
		APC Thres	25															Fixed value
		APC Limit	32															Fixed value

Device Name	Item Name	Memory Name											Remark			
		Set Memory	Status Memory	Chroma Memory			Channel Memory			Image Flip Memory						
				NT358/ NT443/ BW60	Pal/Pal-M/ N/Secam/ BW50	15kRGB Component (15k)	Video	S Video	Input-A	MS	Up/Down inversion is possible	Up/Down inversion is impossible				
Other	V Start	22														Fixed value
	H Start (MSB)	104/144														Fixed value
	H Start (LSB)	0/1														Fixed value
	H Position	33/11														Fixed value
	HST Position	9														Fixed value
	HST Phase	3/6														Fixed value
	Temp Lamp	Adj. not possible														Fixed value
	Temp Panel	Adj. not possible														Fixed value
	Fan1 H															Fixed value
	Fan1 L															Fixed value
	Fan2 H															Fixed value
	Fan2 L															Fixed value
	Fan3 H															Fixed value
	Fan3 L															Fixed value
	Synchronous	1														Fixed value
	Tilt C0	0														Fixed value
	Tilt C1	10000														Fixed value
	Tilt C2	-10000														Fixed value
	X Tilt	Display only														Fixed value
	Y Tilt	Display only														Fixed value
TL	Display only														Fixed value	
TP	Display only														Fixed value	
Gamma		Factory adjustment value														

Notes

- There are some adjustment items that cannot be adjusted, depending on the input signal.
- The items showing two digits such as “7/8” the following meaning : Left digit : VPL-CS5, Right digit : VPL-CX5
- * : The value changes depending on the color systems and input terminals.

2-4. Service Know-How

2-4-1. When the Prism Block Is Replaced

1. Perform the V COM adjustment. (Refer to Section “2-2. VCOM Adjustment”.)
2. Write the GAMMA data of the prism block.
3. Perform the white balance adjustment. (Refer to Section “2-5. White Balance Adjustment”.)

2-4-2. When the C Board Is Replaced

Note

If any board other than the C board is replaced, there is not adjustment item.

1. Install IC406 of the C board before replacement, into the new C board.
2. Enter the Factory Mode.
3. Place this model on a flat worktable. Press the TILT key on a flat table so that the lens shutter becomes visible a little when viewed from the front of the model.
4. Operate the TILT+ key and stop it at the point that the lens shutter becomes invisible from the front.
5. From this position, flip the TILT+ key twice.
6. Press the keys as follows **ENTER** → **ENTER** → **POSITION+** → **MEMORY** keys. (Memorizing the adjustment value.)
7. With the model being placed on a flat worktable, open the lens shutter fully open while the adjuster does not touch the ground.
8. Write the X TILT value in C0 at this time.
9. Point the model vertically upright and fix the position.
10. Write the X TILT value in C1 at this time.
11. Point the model vertically downward and fix the position.
12. Write the X TILT value in C2 at this time.
13. Perform the V COM adjustment. (Refer to Section “2-2. VCOM Adjustment”.)
14. If the white balance is significantly poor, perform the white balance adjustment. . (Refer to Section “2-5. White Balance Adjustment”.)

2-5. White Balance Adjustment

Preparation before adjustment

1. Input the 100 IRE flat field signal to the INPUT-A connector and allow the warm-up of 10 minutes aging at a minimum.
2. Enter the Service Mode.

Press the keys in the following order.

ENTER → **ENTER** → **↑** → **↓** → **ENTER**.

The message [Do you want to enter the Service Mode?

Yes : **↑** No : **↓**] appears.

Select [Yes : **↑**].

[Supplementary information: How to Exit the Service Mode]

Perform the step 2 KEY operation.

The message [Do you want to return to the User Mode?] appears.

Select [Yes : **↑**].

2-5-1. HIGH Mode of INPUT-A

Connect the 10-step signal to the INPUT-A connector and measure the chromaticities at each brightness.

If chromaticities are different at each brightness, perform the following adjustment.

1. Input the 100 IRE flat field signal to the INPUT-A connector.
2. Measure the chromaticity (x, y).
3. Input the 80 IRE flat field signal.
4. Adjust the GAIN R and GAIN B in the HIGH mode of W/B until the chromaticity (x, y) that is measured at step 2 is obtained.
5. Input the 30 IRE flat field signal.
6. Adjust the BIAS R and BIAS B in the HIGH mode of W/B until the chromaticity (x, y) that is measured at step 2 is obtained.
7. Repeat steps 3 to 6 until the chromaticity ($x \pm 0.002$, $y \pm 0.004$) with reference to the chromaticity (x, y) that is measured at step 2 is obtained.

2-5-2. LOW Mode of INPUT-A

1. Input the 80 IRE flat field signal to the INPUT-A connector.
2. In the LOW mode of W/B, adjust the GAIN R for +15 higher than the value in the HIGH mode, adjust the GAIN G for -25 lower than the value in the HIGH mode and adjust GAIN B that is the same as the value in the HIGH mode.
3. Adjust BIAS R, BIAS B and BIAS G for the same value as those of the HIGH mode.
4. Measure the chromaticity (x, y).
5. Input the 30 IRE flat field signal.
6. Adjust the BIAS R and BIAS B in the LOW mode of W/B until the chromaticity (x, y) that is measured at step 4 is obtained.
7. Input the 80 IRE flat field signal.
8. Adjust the GAIN R and GAIN B in the LOW mode of W/B until the chromaticity (x, y) that is measured at step 4 is obtained.
9. Repeat steps 5 to 8 until the chromaticity ($x \pm 0.002$, $y \pm 0.004$) with reference to the chromaticity (x, y) that is measured at step 4 is obtained.

2-5-3. HIGH Mode of VIDEO

1. Input the NTSC or PAL video signal to the input connector.
2. In the HIGH mode of W/B, adjust the GAIN R for -20 lower than the value in the INPUT-A HIGH mode, adjust the GAIN G for -35 lower than the value in the INPUT-A HIGH mode and adjust GAIN B that is the -20 lower than the value in the INPUT-A HIGH mode.
3. Adjust BIAS G for -5 lower than the value in the INPUT-A HIGH mode, adjust the BIAS R and BIAS B for the same value as those of the INPUT-A HIGH mode.

2-5-4. LOW Mode of VIDEO

1. Input the NTSC or PAL video signal to the input connector.
2. In the LOW mode of W/B, adjust the GAIN R for -20 lower than the value in the INPUT-A LOW mode, adjust the GAIN G for -35 lower than the value in the INPUT-A LOW mode and adjust GAIN B that is the -20 lower than the value in the INPUT-A LOW mode.
3. Adjust BIAS G for -5 lower than the value in the INPUT-A LOW mode, adjust the BIAS R and BIAS B for the same value as those of the INPUT-A HIGH mode.

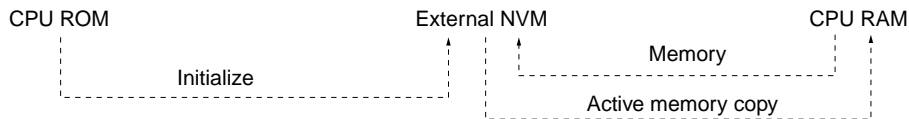
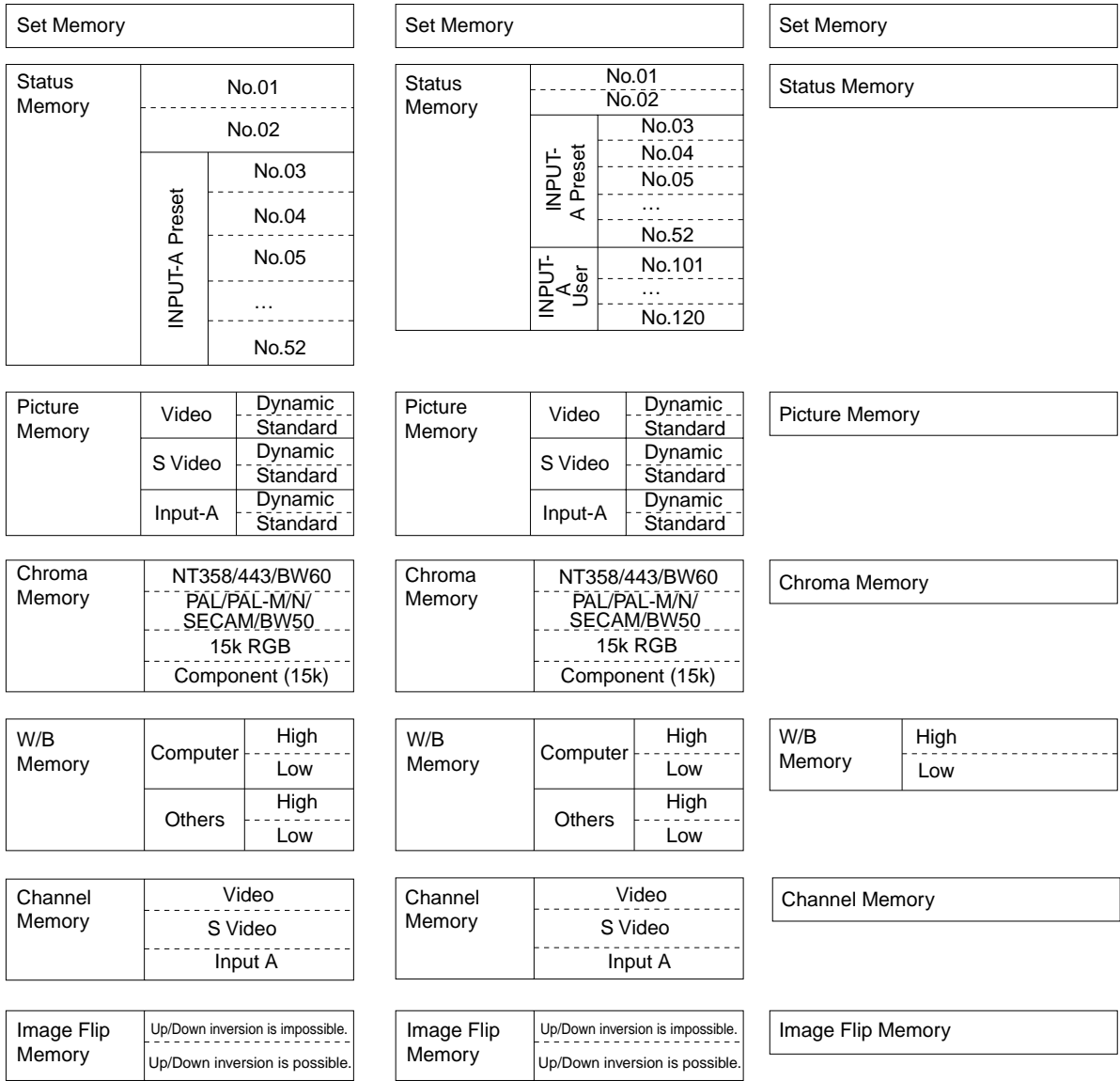
2-6. Memory Structure

VPL-CS5 Series Memory Structure

CPU internal ROM : 384 K byte Flash Memory

CPU internal RAM : 24 K byte

External NVM memory : 8 K byte EEPROM



Memory structure of VPL-CS5 consists of the followings.

- 1 Set memory
- 2 Status memory
- 3 Picture memory (picture quality mode memory)
- 4 Chroma memory
- 5 W/B memory
- 6 Channel memory
- 7 Image Flip memory

* The gamma memory is realized by giving offset to the Contrast and Brightness output values to the devices in the gamma mode function.

Flow of data is described briefly. When the power plug is connected to the wall outlet for the first time (Standby state), all data that are stored in the internal ROM are written in the NVM (non-volatile memory). When the POWER is turned ON, all the status memory data and other memory data that are required for the present picture are selected from each memory block and expanded in the internal RAM.

When any adjustment is performed at this moment, the adjustment data (user mode items) are written in the NVM (Service/Special Service items) automatically triggered by the memory operation.

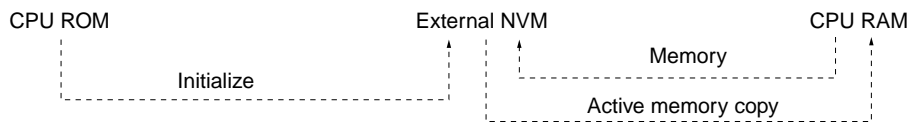
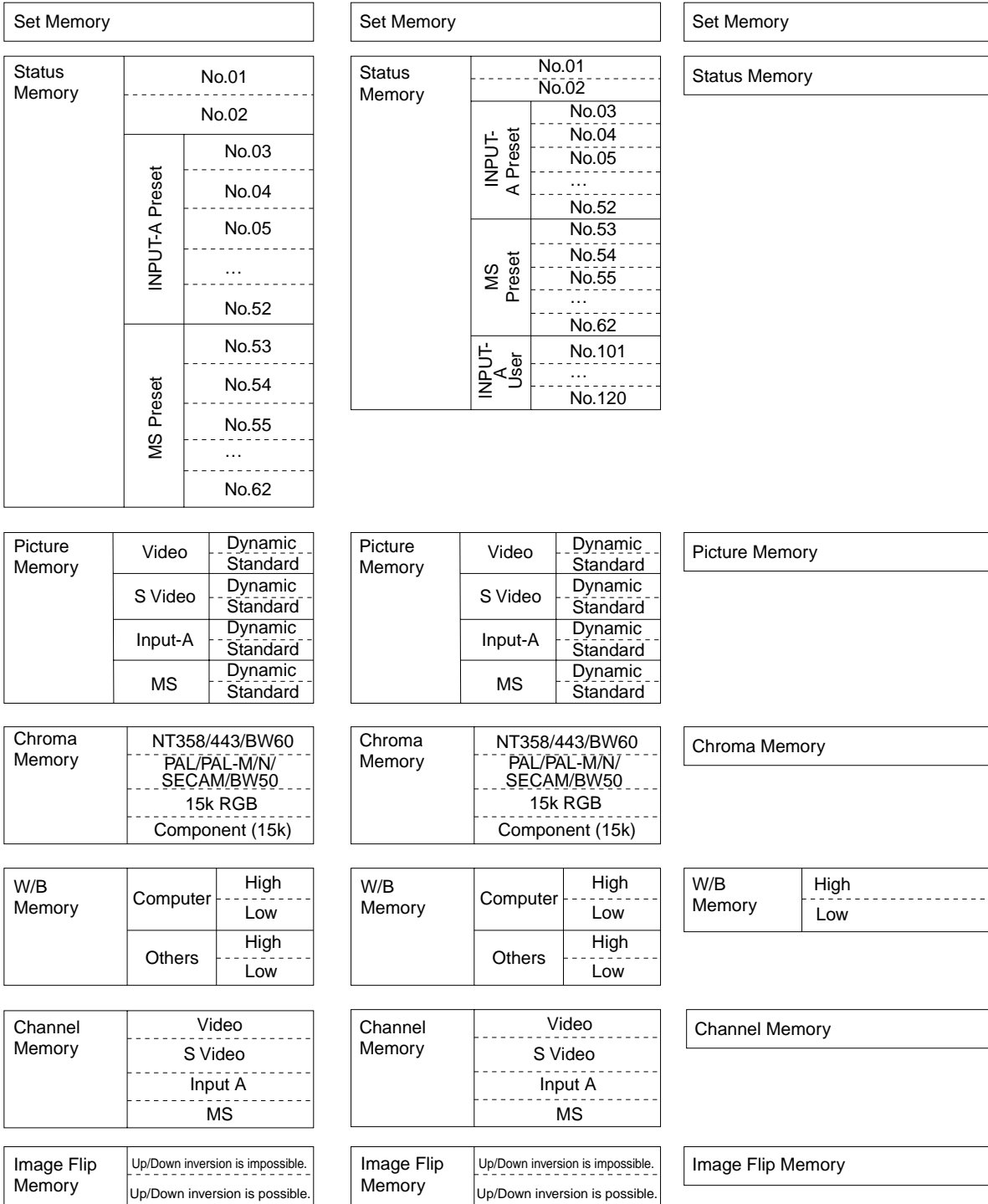
The adjustment items (W/B, Device Adjust) that can be adjusted in the Service Mode or in the Special Service Mode, are memorized in the NVM at the time when the user performs adjustment and performs the memory operation. Note that the factory adjustment data will be lost at this moment.

VPL-CX5 Series Memory Structure

CPU internal ROM : 384 K byte Flash Memory

CPU internal RAM : 24 K byte

External NVM memory : 8 K byte EEPROM



Memory structure of VPL-CX5 consists of the followings.

- 1 Set memory
- 2 Status memory
- 3 Picture memory (picture quality mode memory)
- 4 Chroma memory
- 5 W/B memory
- 6 Channel memory
- 7 Image Flip memory

* The gamma memory is realized by giving offset to the Contrast and Brightness output values to the devices in the gamma mode function.

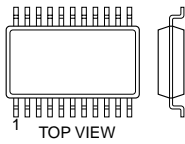
Flow of data is described briefly. When the power plug is connected to the wall outlet for the first time (Standby state), all data that are stored in the internal ROM are written in the NVM (non-volatile memory). When the POWER is turned ON, all the status memory data and other memory data that are required for the present picture are selected from each memory block and expanded in the internal RAM.

When any adjustment is performed at this moment, the adjustment data (user mode items) are written in the NVM (Service/Special Service items) automatically triggered by the memory operation.

The adjustment items (W/B, Device Adjust) that can be adjusted in the Service Mode or in the Special Service Mode, are memorized in the NVM at the time when the user performs adjustment and performs the memory operation. Note that the factory adjustment data will be lost at this moment.

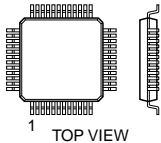
Section 3 Semiconductors

24LC21AT/SN
BA033F-E2
BA033FP
BA033FP-E2
ICS332-SX1734
ICS332-SX1735
IRMF-A0T-QTP
M24C64-WMN6T(B)
MM1096AFF
SI9434DY-T1
ST24FC21M6TR
TA75W393FU
TA75W393FU-TE12R
TC7WH74FU(TE12R)
TL431BCDR2



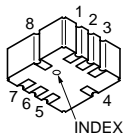
8pin SOP

AD9883AKST-110
AD9883AKST-140

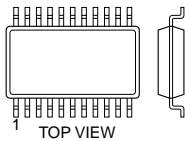


80pin QFP

ADXL202JE-REEL



AK4352VT-E2
BA6288FS-E2
CY27027ZZCT
LT1765EFE
TPA2001D1PW

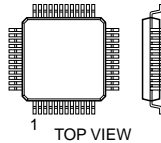


16pin SOP

BA05FP-E2
BA09FP-E2

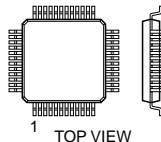


CXA3562AR-T6
UPD72012GB-003-3B4



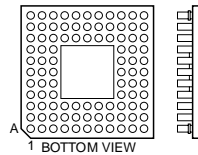
100pin QFP

CXA7000R-T6



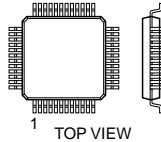
64pin QFP

CXD9607GB



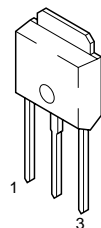
144pin PGA

HD64F2377VFQ33V

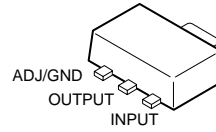


144pin QFP

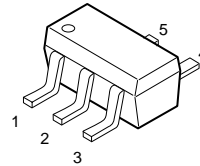
L88M05T-FA-TL



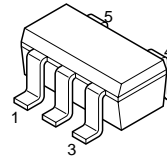
LM1117MPX-1.8



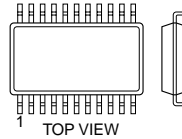
LMC7101BIM5X
SN74AHC1G00DCKR
SN74AHCT1G04DCKR
SN74AHCT1G08DCKR



LP2985IM5X-3.3

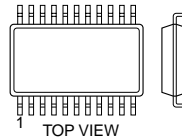


LTC1772CS6



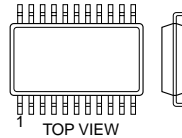
6pin SOP

M52347FP-TE
SN74AHCT541PWR
SN74LV244APWR
TDA7309D013TR



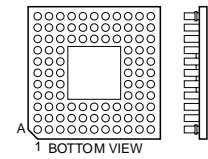
20pin SOP

M62392FP



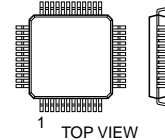
24pin SOP

MB93401A



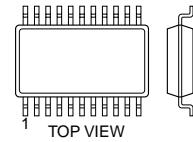
288pin PGA

MB93491



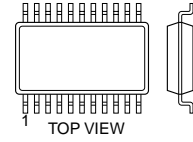
176pin QFP

MBM29LV160BE-90TN-MS1735
MBM29LV800TA-70PFTN-SX1734



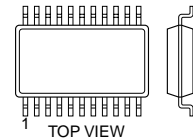
48pin SOP

MCZ3001D



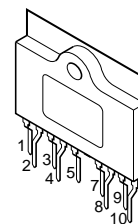
40pin SOP

MT48LC8M16A2TG-75
MT48LC8M16A2TG-75TR

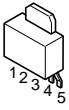


54pin SOP

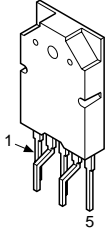
MZ1540



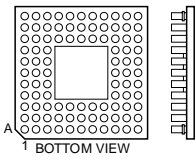
PQ20VZ1U



PQ2TZ15U

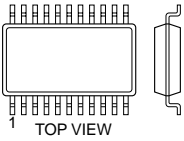


PW164B-10TK



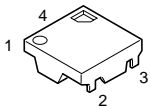
256pin PGA

**RCV4-A1T-MASK-25
ST72T631K4M1-201**

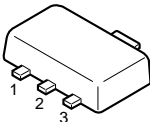


34pin SOP

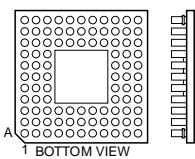
RS-140-T



**S-80928ANMP-DDR-T2
S-80942ANMP-DD6-T2**

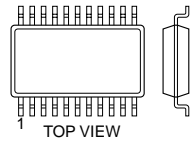


SAA7118E/V1.518



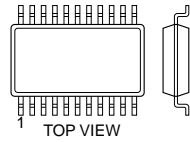
156pin PGA

**SN74LV02APWR
SN74LV08APWR
SN74LV125APWR
SN74LVC125APWR-12**



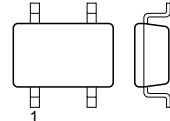
14pin SOP

SN74LV157APWR



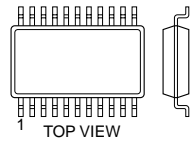
18pin SOP

**TC7S66FU
TC7S66FU(TE85R)**



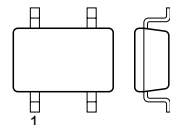
5pin CHIP

TC7SZ125FU(TE85R)



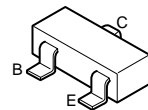
5pin SOP

TK11900MTL

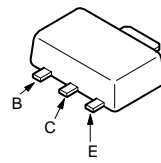


6pin CHIP

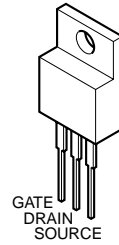
**2SA1162-G
2SA1162-YG-TE85L
2SA1576A-T106-QR
2SC2712-YG
2SC2712-YG-TE85L
2SC4081-R
2SC4081T106R
2SJ530S-TL
DTC144EUA-T106**



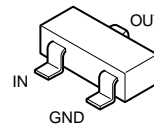
2SA1213Y-TE12L



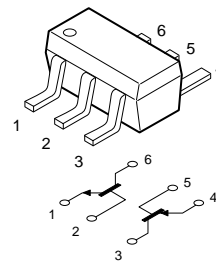
2SK2876-01MR-F122



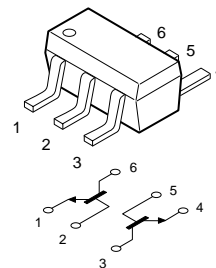
**DTA144EUA-T106
DTC114EU**



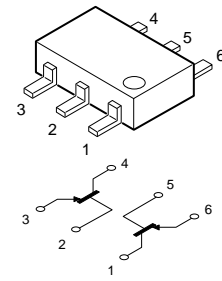
**HN1B01FU-TE85R
HN1C01FU-TE85R**



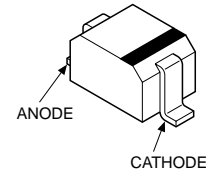
**HN1C03FU-TE85R
RN2904-TE85R**



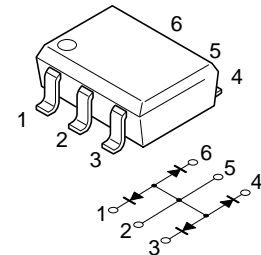
XP4501-TXE



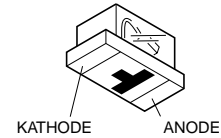
**1SS355TE-17
D2FS4-TA
EC31QS03L-TE12L
MA111-(K8).S0
MA111-TX
RD9.1SB2
RD9.1SB2-T1**



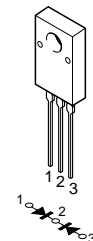
BZA456A



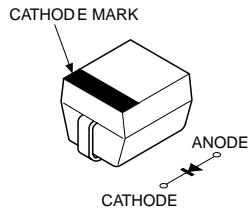
CL-190B1-X-T



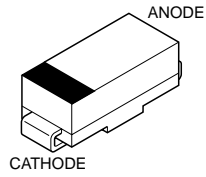
**D10SC4M
D10SC6M
D10SC6M(RECTI)**



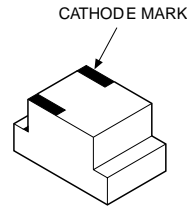
D2FS6-TA



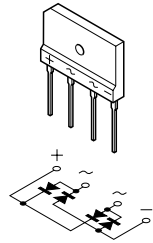
**RB501V-40TE17
RB501V-40TE-17**



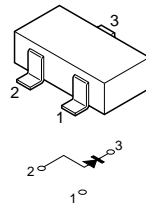
**SEC1801C
SEC1901C
SEC2422C**



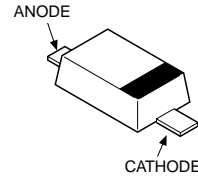
D6SB80



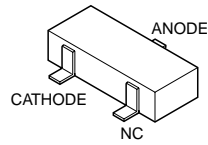
**RD16M-B2
RD16M-T1B2
RD18M-B1
RD18M-T1B1
RD33M-B
RD33M-T1B
RD6.8M-B1
RD6.8M-T1B1**



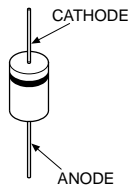
UDZSTE-173.9B



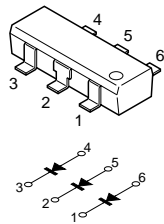
**DAN202U
DAN202UT106**



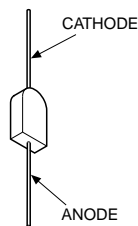
**RD3.9SB
RD3.9SB-T1
UF4005PKG23**



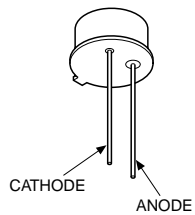
**HN1D03FU-TE85L
HN1D03FU-TE85R**



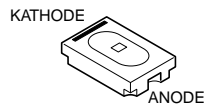
**RM11C(RECTI)
RM11C-V1**



MA3J14700LSO



NSCW100



Section 4

Spare Parts

4-1. Notes on Repair Parts

1. Safety Related Components Warning

WARNING

Components marked \triangle are critical to safe operation. Therefore, specified parts should be used in the case of replacement.

WARNHINWEIS

Les composants identifiés par la marque \triangle sont critiques pour la sécurité. Ne les remplacer que par une pièce portant le numéro spécifié.

2. Standardization of Parts

Some repair parts supplied by Sony differ from those used for the unit. These are because of parts commonality and improvement. Parts List has the present standardized repair parts.

3. Stock of Parts

Parts marked with “o” at SP (Supply Code) column of the Spare Parts list may not be stocked. Therefore, the delivery date will be delayed. Items with no part number and no description are not stocked because they are seldom required for routine service.

4. Units for Capacitors, Inductors and Resistors

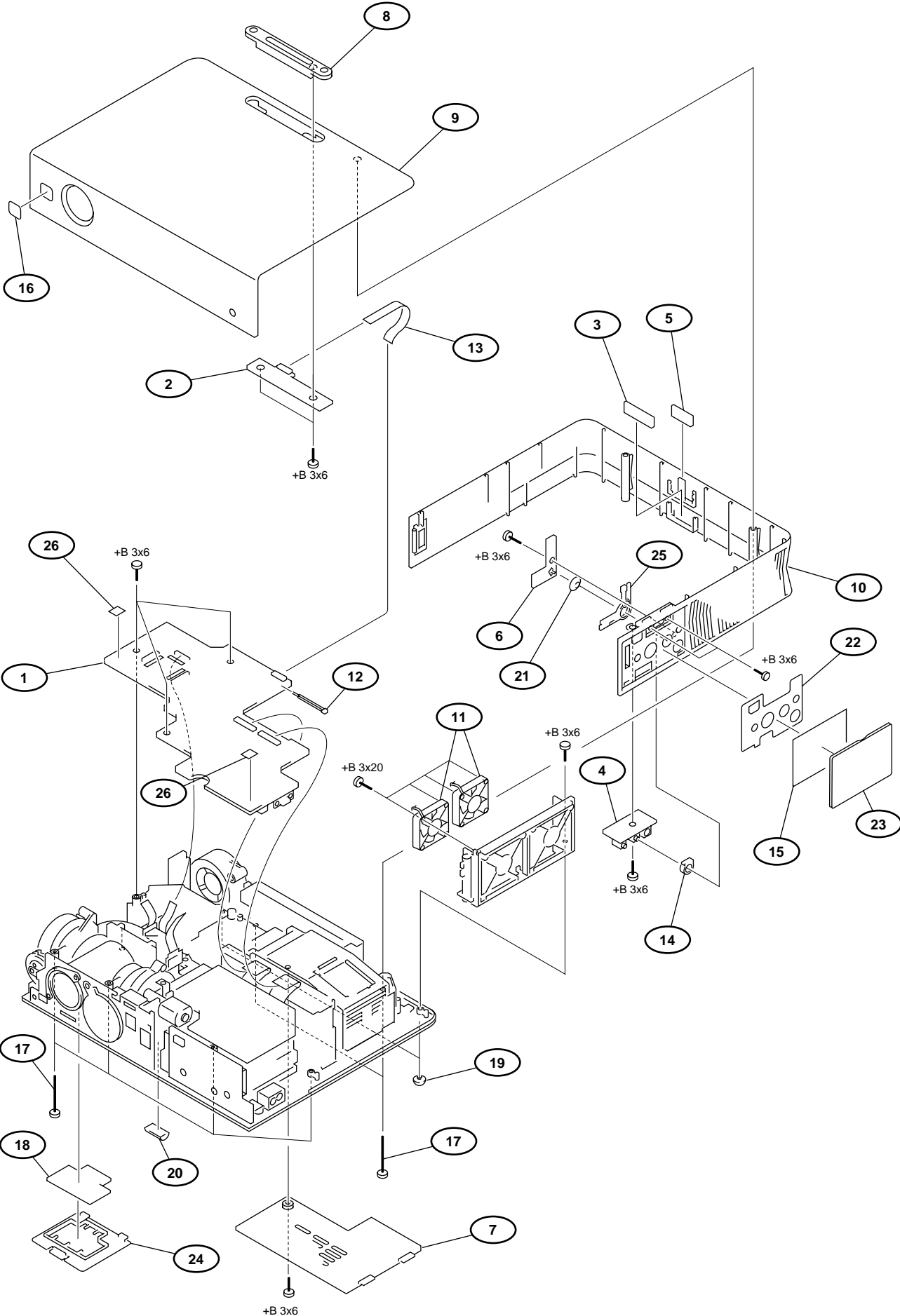
The following units are assumed in Schematic Diagrams, Electrical Parts List and Exploded Views unless otherwise specified.

Capacitors : μF

Inductors : μH

Resistors : Ω

4-2. Exploded Views



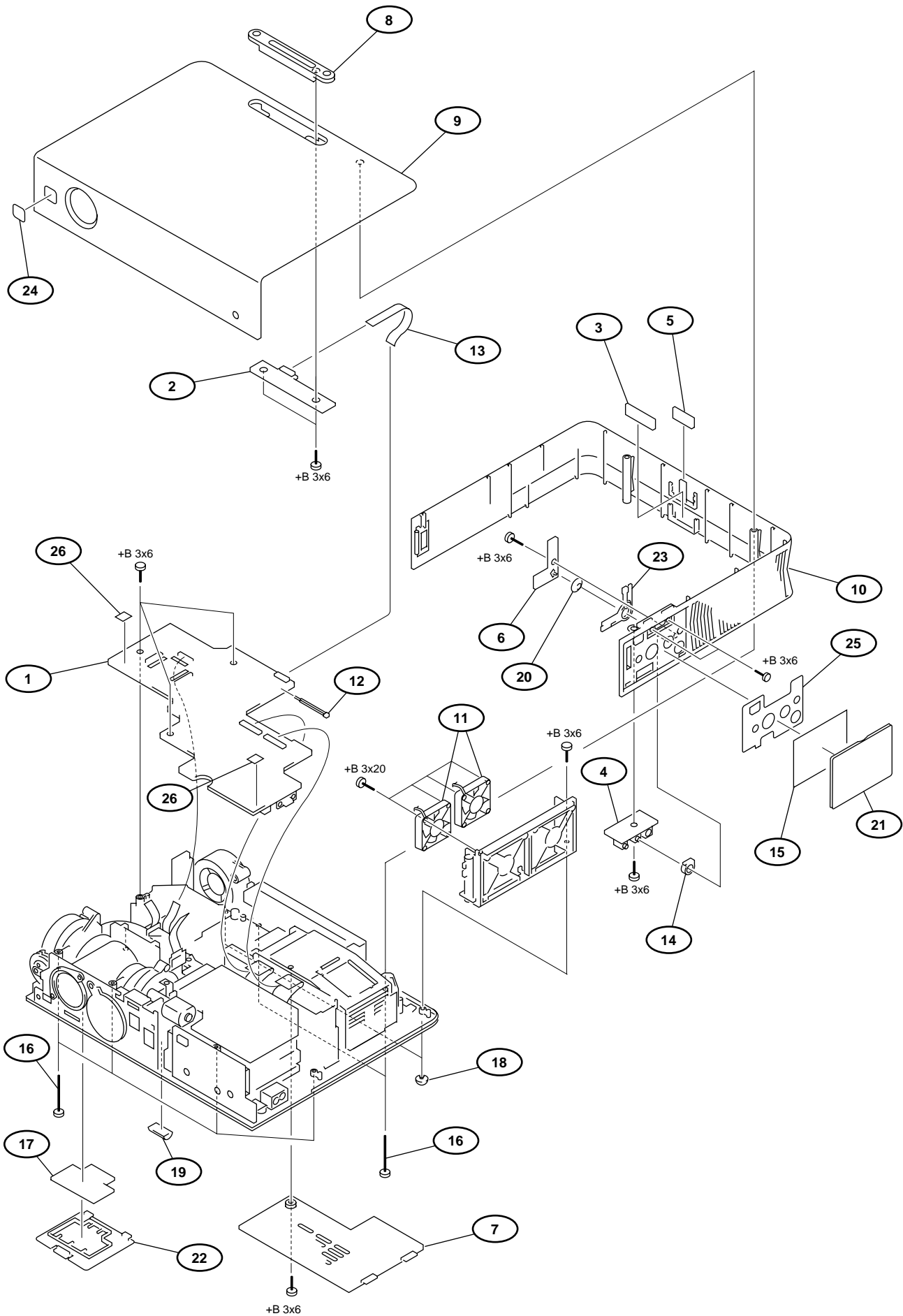
VPL-CS5 (Serial No. 10.001-) : (A1)**VPL-CS5 (Serial No. 5.000.001-) : (A2)**

No.	Part No.	SP	Description
1	A-1300-395-A	s	MOUNTED CIRCUIT BOARD, C (A1)
1	A-1300-487-A	s	MOUNTED CIRCUIT BOARD, C (A2)
2	A-1400-715-A	s	MOUNTED CIRCUIT BOARD, H1 (A1)
2	A-1400-916-A	s	MOUNTED CIRCUIT BOARD, H1 (A2)
3	A-1400-716-A	s	MOUNTED CIRCUIT BOARD, L (A1)
3	A-1400-917-A	s	MOUNTED CIRCUIT BOARD, L (A2)
4	A-1400-717-A	s	MOUNTED CIRCUIT BOARD, Q (A1)
4	A-1400-918-A	s	MOUNTED CIRCUIT BOARD, Q (A2)
5	A-1400-718-A	s	MOUNTED CIRCUIT BOARD, NR (A1)
5	A-1400-919-A	s	MOUNTED CIRCUIT BOARD, NR (A2)
6	A-1400-719-A	s	MOUNTED CIRCUIT BOARD, H2 (A1)
6	A-1400-920-A	s	MOUNTED CIRCUIT BOARD, H2 (A2)
7	X-4040-587-1	s	LAMP COVER ASSY
8	X-4040-588-2	s	BUTTON (H1) ASSY
9	X-4040-589-1	s	PANEL ASSY, TOP
10	X-4040-590-1	s	PANEL ASSY, SIDE
11	1-763-746-21	s	FAN, DC
12	△ 1-900-222-47	s	CONNECTOR ASSY A, FUSE 2P
13	1-900-268-34	s	CONNECTOR ASSY A, FLAT 12P
14	4-074-246-02	o	SLEEVE, VIDEO
15	4-090-083-01	s	MAGNET
16	4-090-085-01	s	EMBLEM
17	4-090-087-01	s	SHAFT
18	4-090-088-02	s	FILTER
19	4-090-089-01	s	FOOT, REAR
20	4-090-092-01	s	FOOT, FRONT
21	4-090-095-01	s	BUTTON (H2)
22	4-090-096-02	s	LABEL, CONNECTOR NAME
23	4-090-099-02	s	COVER, CONNECTOR
24	4-090-107-01	s	COVER, FILTER
25	4-090-115-01	s	HOLDER (H2)
26	4-090-741-01	s	GASKET

Screws/Washers

7-682-547-04	s	SCREW +B 3X6
7-682-553-09	s	SCREW +B 3X20

Cover (VPL-CX5)



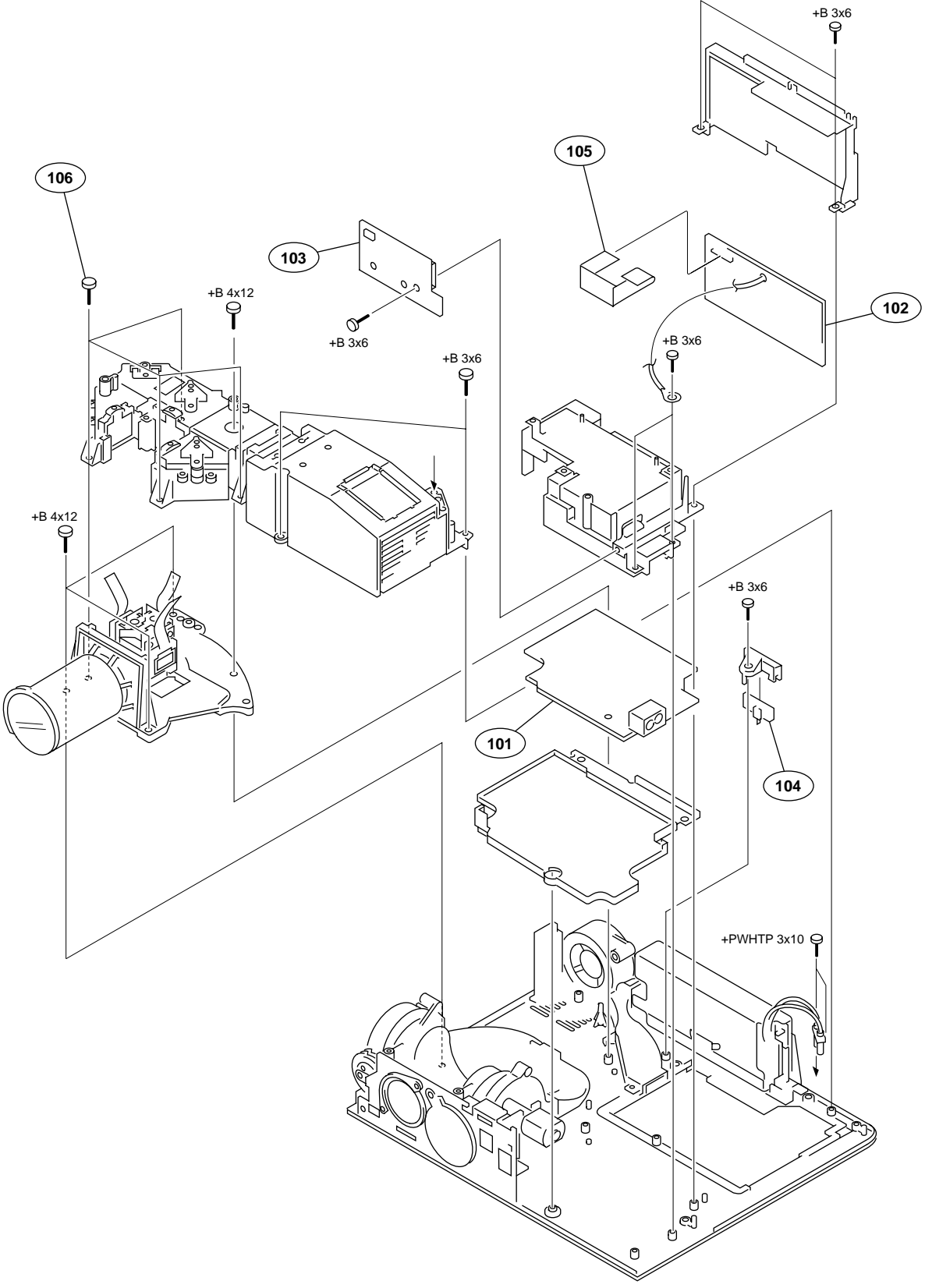
VPL-CX5 (Serial No. 10.001-) : (A3)**VPL-CX5 (Serial No. 5.000.001-) : (A4)**

No.	Part No.	SP	Description
1	A-1300-692-A	s	MOUNTED CIRCUIT BOARD, C (A3)
1	A-1300-747-A	s	MOUNTED CIRCUIT BOARD, C (A4)
2	A-1400-715-A	s	MOUNTED CIRCUIT BOARD, H1 (A3)
2	A-1400-916-A	s	MOUNTED CIRCUIT BOARD, H1 (A4)
3	A-1400-716-A	s	MOUNTED CIRCUIT BOARD, L (A3)
3	A-1400-917-A	s	MOUNTED CIRCUIT BOARD, L (A4)
4	A-1400-717-A	s	MOUNTED CIRCUIT BOARD, Q (A3)
4	A-1400-918-A	s	MOUNTED CIRCUIT BOARD, Q (A4)
5	A-1400-718-A	s	MOUNTED CIRCUIT BOARD, NR (A3)
5	A-1400-919-A	s	MOUNTED CIRCUIT BOARD, NR (A4)
6	A-1400-719-A	s	MOUNTED CIRCUIT BOARD, H2 (A3)
6	A-1400-920-A	s	MOUNTED CIRCUIT BOARD, H2 (A4)
7	X-4040-587-1	s	LAMP COVER ASSY
8	X-4040-588-2	s	BUTTON (H1) ASSY
9	X-4040-589-1	s	PANEL ASSY, TOP
10	X-4040-590-1	s	PANEL ASSY, SIDE
11	1-763-746-21	s	FAN, DC
12	△ 1-900-222-47	s	CONNECTOR ASSY A, FUSE 2P
13	1-900-268-34	s	CONNECTOR ASSY A, FLAT 12P
14	4-074-246-02	o	SLEEVE, VIDEO
15	4-090-083-01	s	MAGNET
16	4-090-087-01	s	SHAFT
17	4-090-088-01	s	FILTER
18	4-090-089-02	s	FOOT, REAR
19	4-090-092-01	s	FOOT, FRONT
20	4-090-095-01	s	BUTTON (H2)
21	4-090-099-02	s	COVER, CONNECTOR (A4)
21	4-090-099-11	s	COVER, CONNECTOR (A3)
22	4-090-107-01	s	COVER, FILTER
23	4-090-115-01	s	HOLDER (H2)
24	4-090-337-01	s	EMBLEM
25	4-090-339-01	s	LABEL, CONNECTOR NAME
26	4-090-741-01	s	GASKET

Screws/Washers

7-682-547-04	s	SCREW +B 3X6
7-682-553-09	s	SCREW +B 3X20

Chassis (VPL-CS5)



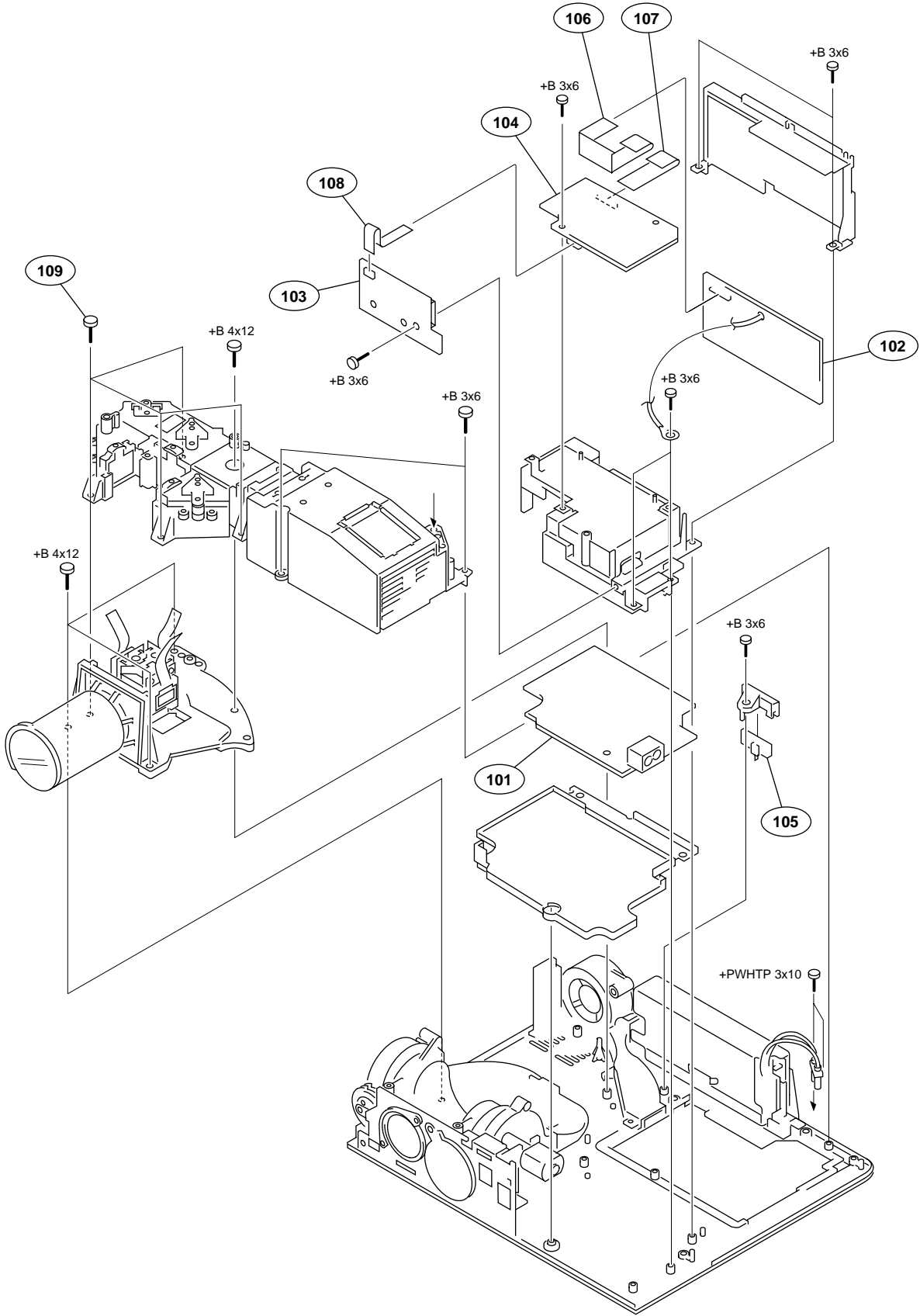
VPL-CS5 (Serial No. 10.001-) : (A1)**VPL-CS5 (Serial No. 5.000.001-) : (A2)**

No.	Part No.	SP	Description
101	A-1300-393-A	s	MOUNTED CIRCUIT BOARD, GA (A1)
101	A-1300-485-A	s	MOUNTED CIRCUIT BOARD, GA (A2)
102	A-1300-394-A	s	MOUNTED CIRCUIT BOARD, GB (A1)
102	A-1300-486-A	s	MOUNTED CIRCUIT BOARD, GB (A2)
103	A-1300-484-A	s	MOUNTED CIRCUIT BOARD, MSC (A2)
103	A-1300-663-A	s	MOUNTED CIRCUIT BOARD, MSC (A1)
104	A-1400-720-A	s	MOUNTED CIRCUIT BOARD, U (A1)
104	A-1400-914-A	s	MOUNTED CIRCUIT BOARD, U (A2)
105	1-900-267-27	s	CONNECTOR ASSY, FLAT 24P
106	4-082-759-01	s	SCREW, MACHINE, (+)P M4X12

Screws/Washers

7-682-547-04	s	SCREW +B 3X6
7-682-563-04	s	SCREW +B 4X12(EP-FE/CU,NI,CR)
7-685-903-31	s	SCREW,+PWHTP 3X10(EP-FE/ZNBK/C)

Chassis (VPL-CX5)

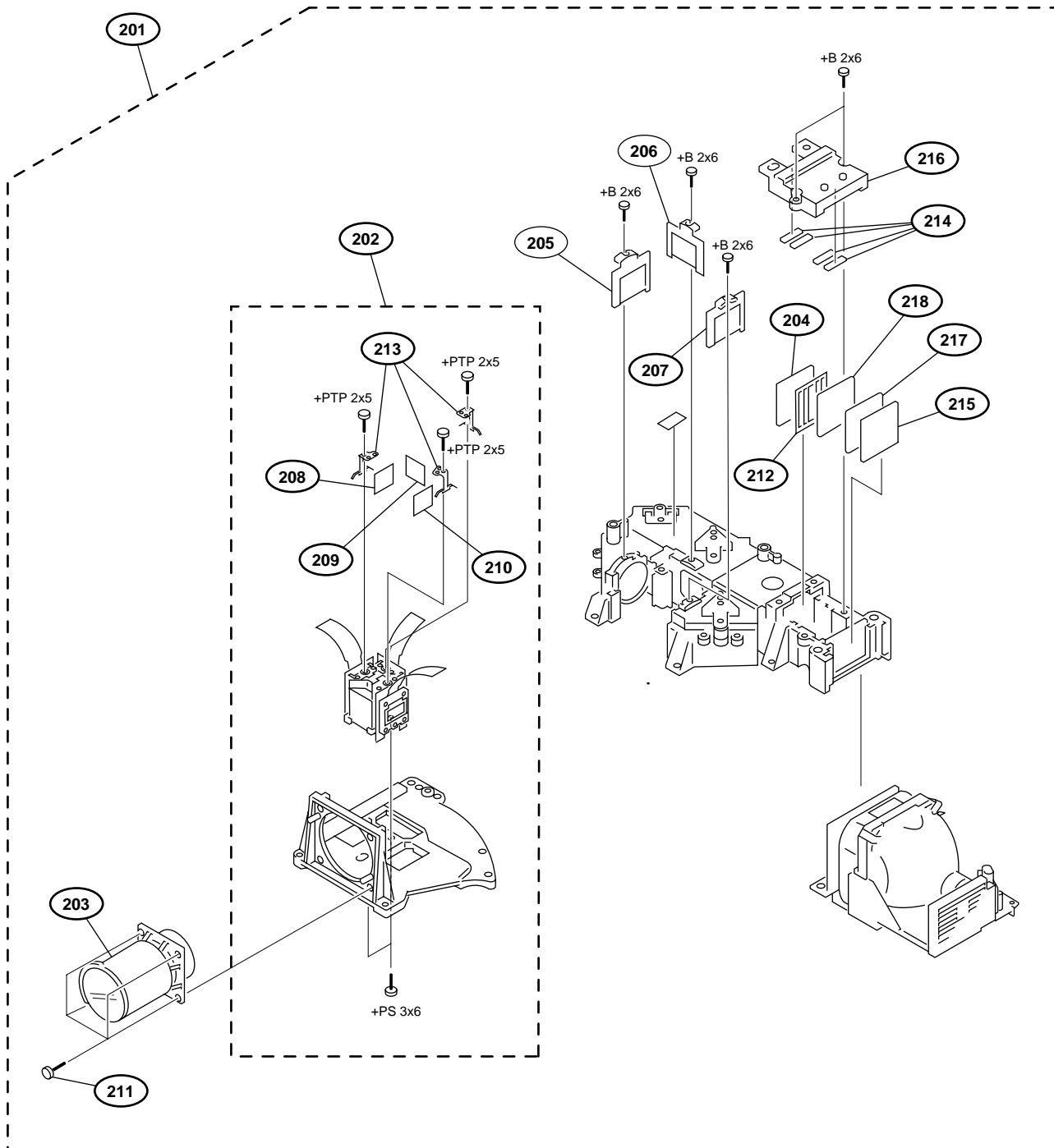
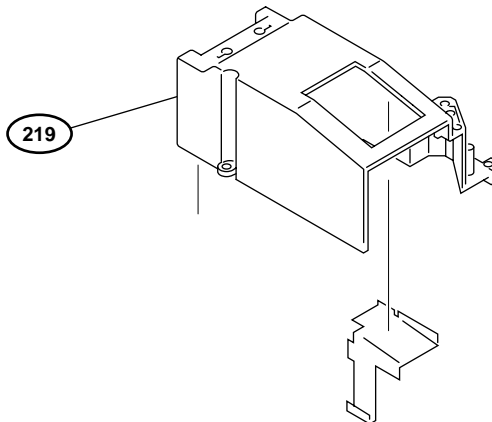


VPL-CX5 (Serial No. 10.001-) : (A3)**VPL-CX5 (Serial No. 5.000.001-) : (A4)**

No.	Part No.	SP Description
101	A-1300-393-A	s MOUNTED CIRCUIT BOARD, GA (A3)
101	A-1300-485-A	s MOUNTED CIRCUIT BOARD, GA (A4)
102	A-1300-394-A	s MOUNTED CIRCUIT BOARD, GB (A3)
102	A-1300-486-A	s MOUNTED CIRCUIT BOARD, GB (A4)
103	A-1300-693-A	s MOUNTED CIRCUIT BOARD, MS (A3)
103	A-1300-748-A	s MOUNTED CIRCUIT BOARD, MS (A4)
104	A-1300-694-A	s MOUNTED CIRCUIT BOARD, MSC (A3)
104	A-1300-749-A	s MOUNTED CIRCUIT BOARD, MSC (A4)
105	A-1400-720-A	s MOUNTED CIRCUIT BOARD, U (A3)
105	A-1400-914-A	s MOUNTED CIRCUIT BOARD, U (A4)
106	1-900-267-27	s CONNECTOR ASSY, FLAT 24P
107	1-900-267-36	s CONNECTOR ASSY, FLAT 50P
108	1-900-267-37	s CONNECTOR ASSY B, FLAT 12P
109	4-082-759-01	s SCREW, MACHINE, (+)P M4X12

Screws/Washers

7-682-547-04	s SCREW +B 3X6
7-682-563-04	s SCREW +B 4X12(EP-FE/CU,NI,CR)
7-685-903-31	s SCREW,+PWHTP 3X10(EP-FE/ZNBK/C)



VPL-CS5 (Serial No. 10.001-) : (A1)

VPL-CS5 (Serial No. 5.000.001-) : (A2)

VPL-CX5 (Serial No. 10.001-) : (A3)

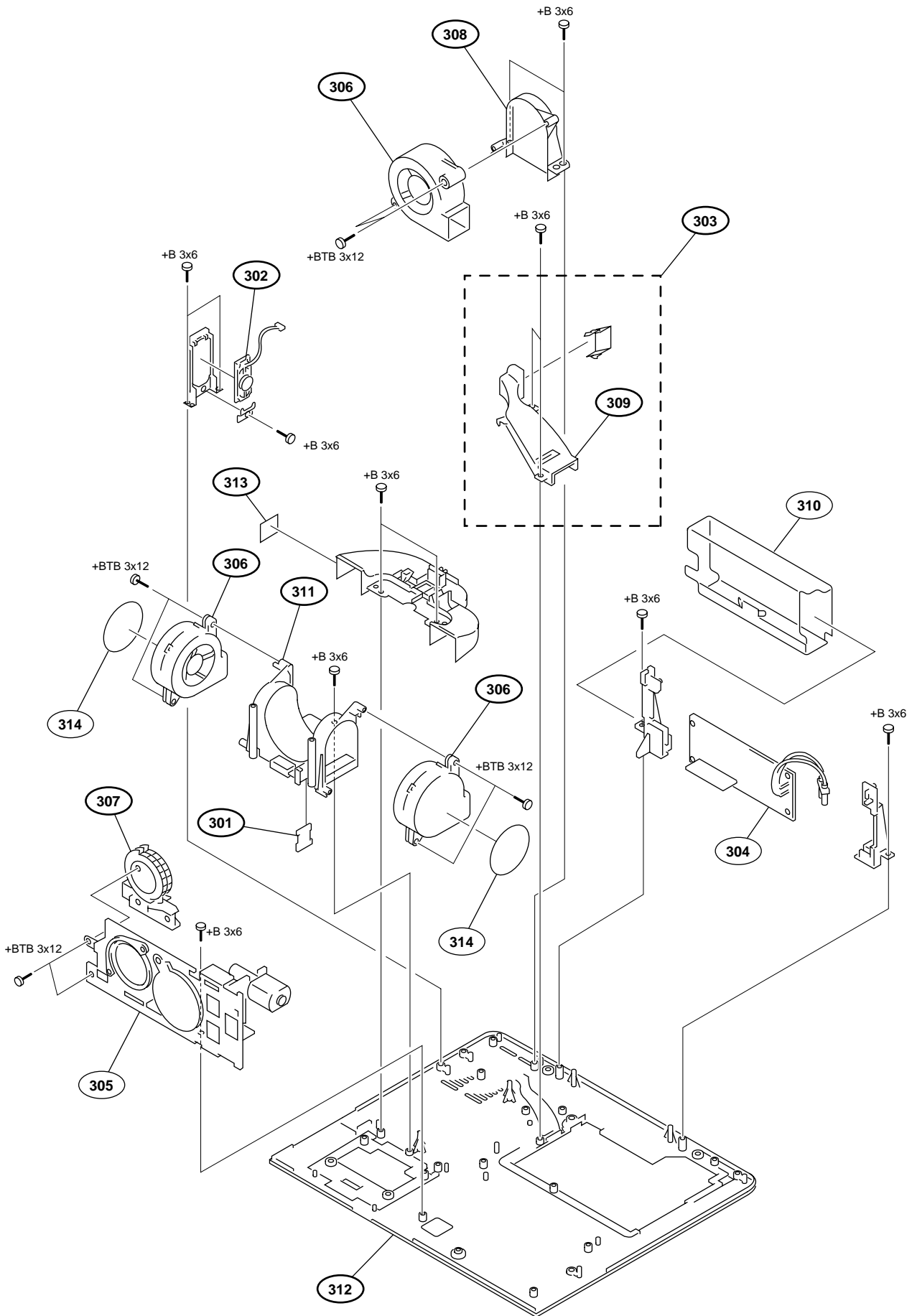
VPL-CX5 (Serial No. 5.000.001-) : (A4)

No.	Part No.	SP Description
201	A-1603-660-A	s OPT UNIT ASSY (A1)(A2)
201	A-1603-673-A	s OPT UNIT ASSY (A3)(A4)
202	A-1603-661-A	s PRISM BLOCK ASSY (A1)(A2)
202	A-1603-671-A	s PRISM BLOCK ASSY (A3)(A4)
203	A-1603-662-A	s PROJECTION LENS ASSY
204	A-1603-663-A	s PS ASSY
205	A-1603-664-A	s IN-POLARIZER (R) ASSY
206	A-1603-665-A	s IN-POLARIZER (G) ASSY
207	A-1603-666-A	s IN-POLARIZER (B) ASSY
208	A-1603-667-A	s OUT-PRE-POLARIZER (R) ASSY
209	A-1603-668-A	s OUT-PRE-POLARIZER (G) ASSY
210	A-1603-669-A	s OUT-PRE-POLARIZER (B) ASSY
211	4-074-474-01	s +BSW M3X8
212	4-089-520-01	s APERTURE, PS COM
213	4-089-522-01	s FASTENER (OP)
214	4-089-526-01	s CUSHION
215	4-089-551-01	s PRE-FILTER, UV-CUT
216	4-089-552-01	s COVER (B), UNIT
217	4-089-558-01	s FLY EYE, LENS-1
218	4-089-559-01	s FLY EYE, LENS-2
219	4-090-112-01	o HOUSE, LAMP

Screws/Washers

7-621-772-38	s	SCREW +B 2X6
7-682-647-09	s	SCREW +PS 3X6(EP-FE/ZNBK/CM2)
7-685-103-19	s	SCREW +PTP 2X5

Base



VPL-CS5 (Serial No. 10.001-) : (A1)

VPL-CS5 (Serial No. 5.000.001-) : (A2)

VPL-CX5 (Serial No. 10.001-) : (A3)

VPL-CX5 (Serial No. 5.000.001-) : (A4)

No.	Part No.	SP Description
301	A-1400-721-A	s MOUNTED CIRCUIT BOARD, V (A1)(A3)
301	A-1400-915-A	s MOUNTED CIRCUIT BOARD, V (A2)(A4)
302	A-1603-156-A	s SPEAKER ASSY (A1)(A3)
302	A-1603-250-A	s SPEAKER ASSY (A2)(A4)
303	X-4040-721-1	o DUCT ASSY, LAMP
304	△ 1-468-696-11	s POWER BLOCK (LAMP)
305	1-477-433-11	s ADJUSTOR UNIT
306	1-763-886-11	s FAN, DC (SIROCCO)
307	4-090-090-01	s GEAR, LENS
308	4-090-104-01	o HOLDER, FAN (RE)
309	4-090-111-01	o DUCT, (LAMP)
310	4-090-114-01	s SHEET (LPS)
311	4-090-120-01	o HOLDER (IN), FAN
312	4-090-124-01	o BASE
313	4-090-740-01	s SHEET, DUCT
314	4-090-742-01	s SHEET (FAN)

Screws/Washers

7-682-547-04	s SCREW +B3X6
7-685-548-19	s SCREW +BTB 3X12 (EP-FE/ZNBK/CM)

C BOARD(VPL-CS5)

(C BOARD)(VPL-CS5)

Note :

*1 If IC406 becomes defective, replace the entire C board.

Ref. No. or Q'ty	Part No.	SP Description	Ref. No. or Q'ty	Part No.	SP Description
1pc	A-1300-395-A	s MOUNTED CIRCUIT BOARD, C(A1)	C155	1-164-947-11	s CAPACITOR CHIP CERAMIC 0.01MF
1pc	A-1300-487-A	s MOUNTED CIRCUIT BOARD, C(A2)	C156	1-107-820-11	s CAPACITOR,CHIP CERAMIC 0.1MF F
C100	1-164-947-11	s CAPACITOR CHIP CERAMIC 0.01MF	C157	1-107-820-11	s CAPACITOR,CHIP CERAMIC 0.1MF F
C101	1-164-947-11	s CAPACITOR CHIP CERAMIC 0.01MF	C158	1-164-947-11	s CAPACITOR CHIP CERAMIC 0.01MF
C102	1-164-947-11	s CAPACITOR CHIP CERAMIC 0.01MF	C159	1-164-947-11	s CAPACITOR CHIP CERAMIC 0.01MF
C103	1-126-205-11	s CAPACITOR,ELECT 47M/6.3	C160	1-107-820-11	s CAPACITOR,CHIP CERAMIC 0.1MF F
C104	1-126-205-11	s CAPACITOR,ELECT 47M/6.3	C161	1-164-505-11	s CAPACITOR,CHIP CERAMIC 2.2MF
C105	1-115-566-11	s CAPACITOR,CERAMIC 4.7MF B/6.3V	C162	1-107-820-11	s CAPACITOR,CHIP CERAMIC 0.1MF F
C106	1-126-205-11	s CAPACITOR,ELECT 47M/6.3	C163	1-164-874-11	s CAPACITOR,CHIP CERAMIC 100PF
C107	1-115-566-11	s CAPACITOR,CERAMIC 4.7MF B/6.3V	C164	1-107-820-11	s CAPACITOR,CHIP CERAMIC 0.1MF F
C108	1-107-820-11	s CAPACITOR,CHIP CERAMIC 0.1MF F	C165	1-107-820-11	s CAPACITOR,CHIP CERAMIC 0.1MF F
C109	1-107-820-11	s CAPACITOR,CHIP CERAMIC 0.1MF F	C166	1-107-820-11	s CAPACITOR,CHIP CERAMIC 0.1MF F
C111	1-107-820-11	s CAPACITOR,CHIP CERAMIC 0.1MF F	C200	1-164-854-11	s CAPACITOR CERAMIC 15PF/16V CH
C112	1-107-820-11	s CAPACITOR,CHIP CERAMIC 0.1MF F	C201	1-164-854-11	s CAPACITOR CERAMIC 15PF/16V CH
C113	1-107-820-11	s CAPACITOR,CHIP CERAMIC 0.1MF F	C206	1-127-772-11	s CAPACTOR C,CERAMIC 33000PF B
C114	1-164-937-11	s CAPACITOR,CHIP CERAMIC 1000PF	C207	1-119-923-11	s CAPACITOR,CHIP CERAMIC 0.047MF
C115	1-109-982-11	s CAPACITOR,CHIP CERAMIC 1MF/10V	C208	1-119-923-11	s CAPACITOR,CHIP CERAMIC 0.047MF
C116	1-107-820-11	s CAPACITOR,CHIP CERAMIC 0.1MF F	C209	1-127-772-11	s CAPACTOR C,CERAMIC 33000PF B
C117	1-137-987-81	s CAPACITOR,C.CERAMIC 0.068MF	C210	1-119-923-11	s CAPACITOR,CHIP CERAMIC 0.047MF
C118	1-115-566-11	s CAPACITOR,CERAMIC 4.7MF B/6.3V	C211	1-127-772-11	s CAPACTOR C,CERAMIC 33000PF B
C119	1-115-566-11	s CAPACITOR,CERAMIC 4.7MF B/6.3V	C215	1-127-772-11	s CAPACTOR C,CERAMIC 33000PF B
C120	1-165-875-11	s CAPACITOR,CHIP CERAMIC 10MF B	C216	1-127-772-11	s CAPACTOR C,CERAMIC 33000PF B
C121	1-165-871-11	s CAPACITOR,ELECT 22MF	C217	1-127-772-11	s CAPACTOR C,CERAMIC 33000PF B
C122	1-107-820-11	s CAPACITOR,CHIP CERAMIC 0.1MF F	C218	1-127-772-11	s CAPACTOR C,CERAMIC 33000PF B
C123	1-165-875-11	s CAPACITOR,CHIP CERAMIC 10MF B	C219	1-119-923-11	s CAPACITOR,CHIP CERAMIC 0.047MF
C124	1-107-820-11	s CAPACITOR,CHIP CERAMIC 0.1MF F	C220	1-126-206-11	s CAPACITOR, ELECT 100MF/6.3V
C125	1-164-947-11	s CAPACITOR CHIP CERAMIC 0.01MF	C221	1-165-871-11	s CAPACITOR,ELECT 22MF
C126	1-164-882-11	s CAPACITOR,CERAMIC 220PF/16V CH	C222	1-107-820-11	s CAPACITOR,CHIP CERAMIC 0.1MF F
C127	1-164-874-11	s CAPACITOR,CHIP CERAMIC 100PF	C223	1-107-820-11	s CAPACITOR,CHIP CERAMIC 0.1MF F
C128	1-125-837-11	s CAPACITOR,CHIP CERAMIC1MF/6.3V	C224	1-107-820-11	s CAPACITOR,CHIP CERAMIC 0.1MF F
C129	1-165-871-21	s CAPACITOR,SOLID ELECT 22MF	C225	1-107-820-11	s CAPACITOR,CHIP CERAMIC 0.1MF F
C130	1-107-820-11	s CAPACITOR,CHIP CERAMIC 0.1MF F	C226	1-164-943-11	s CAPACITOR,CHIP CERAMIC 0.01MF
C131	1-119-923-11	s CAPACITOR,CHIP CERAMIC 0.047MF	C227	1-164-943-11	s CAPACITOR,CHIP CERAMIC 0.01MF
C132	1-119-923-11	s CAPACITOR,CHIP CERAMIC 0.047MF	C228	1-164-943-11	s CAPACITOR,CHIP CERAMIC 0.01MF
C133	1-164-937-11	s CAPACITOR,CHIP CERAMIC 1000PF	C229	1-164-943-11	s CAPACITOR,CHIP CERAMIC 0.01MF
C134	1-119-923-11	s CAPACITOR,CHIP CERAMIC 0.047MF	C230	1-107-820-11	s CAPACITOR,CHIP CERAMIC 0.1MF F
C135	1-107-820-11	s CAPACITOR,CHIP CERAMIC 0.1MF F	C233	1-107-820-11	s CAPACITOR,CHIP CERAMIC 0.1MF F
C136	1-131-998-11	s CAP, SOLID ELECT 82MF 6.3 V	C234	1-165-871-11	s CAPACITOR,ELECT 22MF
C137	1-164-947-11	s CAPACITOR CHIP CERAMIC 0.01MF	C245	1-107-820-11	s CAPACITOR,CHIP CERAMIC 0.1MF F
C138	1-119-667-11	s CAPACITOR CERAMIC 22MF/10V(F)	C260	1-107-820-11	s CAPACITOR,CHIP CERAMIC 0.1MF F
C139	1-107-820-11	s CAPACITOR,CHIP CERAMIC 0.1MF F	C261	1-107-820-11	s CAPACITOR,CHIP CERAMIC 0.1MF F
C140	1-107-820-11	s CAPACITOR,CHIP CERAMIC 0.1MF F	C262	1-164-947-11	s CAPACITOR CHIP CERAMIC 0.01MF
C141	1-107-820-11	s CAPACITOR,CHIP CERAMIC 0.1MF F	C263	1-119-667-11	s CAPACITOR CERAMIC 22MF/10V(F)
C142	1-107-820-11	s CAPACITOR,CHIP CERAMIC 0.1MF F	C300	1-107-820-11	s CAPACITOR,CHIP CERAMIC 0.1MF F
C143	1-164-947-11	s CAPACITOR CHIP CERAMIC 0.01MF	C301	1-119-667-11	s CAPACITOR CERAMIC 22MF/10V(F)
C144	1-164-947-11	s CAPACITOR CHIP CERAMIC 0.01MF	C302	1-107-820-11	s CAPACITOR,CHIP CERAMIC 0.1MF F
C145	1-107-820-11	s CAPACITOR,CHIP CERAMIC 0.1MF F	C303	1-107-820-11	s CAPACITOR,CHIP CERAMIC 0.1MF F
C146	1-107-820-11	s CAPACITOR,CHIP CERAMIC 0.1MF F	C304	1-107-820-11	s CAPACITOR,CHIP CERAMIC 0.1MF F
C147	1-164-947-11	s CAPACITOR CHIP CERAMIC 0.01MF	C305	1-107-820-11	s CAPACITOR,CHIP CERAMIC 0.1MF F
C148	1-107-820-11	s CAPACITOR,CHIP CERAMIC 0.1MF F	C306	1-107-820-11	s CAPACITOR,CHIP CERAMIC 0.1MF F
C149	1-164-947-11	s CAPACITOR CHIP CERAMIC 0.01MF	C307	1-107-820-11	s CAPACITOR,CHIP CERAMIC 0.1MF F
C150	1-107-820-11	s CAPACITOR,CHIP CERAMIC 0.1MF F	C308	1-107-820-11	s CAPACITOR,CHIP CERAMIC 0.1MF F
C151	1-164-173-11	s CAPACITOR,CERAMIC 3900PF/50V B	C309	1-107-820-11	s CAPACITOR,CHIP CERAMIC 0.1MF F
C152	1-137-652-91	s CAPACITOR,CERAMIC 39000PF /16V	C310	1-107-820-11	s CAPACITOR,CHIP CERAMIC 0.1MF F
C153	1-107-820-11	s CAPACITOR,CHIP CERAMIC 0.1MF F	C311	1-107-820-11	s CAPACITOR,CHIP CERAMIC 0.1MF F
C154	1-107-820-11	s CAPACITOR,CHIP CERAMIC 0.1MF F	C312	1-107-820-11	s CAPACITOR,CHIP CERAMIC 0.1MF F
			C314	1-107-820-11	s CAPACITOR,CHIP CERAMIC 0.1MF F
			C315	1-107-820-11	s CAPACITOR,CHIP CERAMIC 0.1MF F
			C316	1-164-852-11	s CAPACITOR,CHIP CERAMIC 12PF/16

(C BOARD)(VPL-CS5)

Ref. No. or Q'ty	Part No.	SP	Description
C317	1-107-820-11	s	CAPACITOR,CHIP CERAMIC 0.1MF F
C318	1-107-820-11	s	CAPACITOR,CHIP CERAMIC 0.1MF F
C319	1-164-852-11	s	CAPACITOR,CHIP CERAMIC 12PF/16
C320	1-107-820-11	s	CAPACITOR,CHIP CERAMIC 0.1MF F
C321	1-164-947-11	s	CAPACITOR CHIP CERAMIC 0.01MF
C322	1-107-820-11	s	CAPACITOR,CHIP CERAMIC 0.1MF F
C323	1-107-820-11	s	CAPACITOR,CHIP CERAMIC 0.1MF F
C324	1-107-820-11	s	CAPACITOR,CHIP CERAMIC 0.1MF F
C325	1-107-820-11	s	CAPACITOR,CHIP CERAMIC 0.1MF F
C328	1-164-947-11	s	CAPACITOR CHIP CERAMIC 0.01MF
C329	1-107-820-11	s	CAPACITOR,CHIP CERAMIC 0.1MF F
C330	1-119-667-11	s	CAPACITOR CERAMIC 22MF/10V(F)
C331	1-107-820-11	s	CAPACITOR,CHIP CERAMIC 0.1MF F
C332	1-107-820-11	s	CAPACITOR,CHIP CERAMIC 0.1MF F
C333	1-107-820-11	s	CAPACITOR,CHIP CERAMIC 0.1MF F
C334	1-107-820-11	s	CAPACITOR,CHIP CERAMIC 0.1MF F
C335	1-107-820-11	s	CAPACITOR,CHIP CERAMIC 0.1MF F
C336	1-107-820-11	s	CAPACITOR,CHIP CERAMIC 0.1MF F
C337	1-107-820-11	s	CAPACITOR,CHIP CERAMIC 0.1MF F
C338	1-107-820-11	s	CAPACITOR,CHIP CERAMIC 0.1MF F
C339	1-107-820-11	s	CAPACITOR,CHIP CERAMIC 0.1MF F
C340	1-107-820-11	s	CAPACITOR,CHIP CERAMIC 0.1MF F
C341	1-107-820-11	s	CAPACITOR,CHIP CERAMIC 0.1MF F
C342	1-107-820-11	s	CAPACITOR,CHIP CERAMIC 0.1MF F
C401	1-107-820-11	s	CAPACITOR,CHIP CERAMIC 0.1MF F
C402	1-107-820-11	s	CAPACITOR,CHIP CERAMIC 0.1MF F
C403	1-164-874-11	s	CAPACITOR,CHIP CERAMIC 100PF
C404	1-107-820-11	s	CAPACITOR,CHIP CERAMIC 0.1MF F
C406	1-107-820-11	s	CAPACITOR,CHIP CERAMIC 0.1MF F
C407	1-107-820-11	s	CAPACITOR,CHIP CERAMIC 0.1MF F
C408	1-107-820-11	s	CAPACITOR,CHIP CERAMIC 0.1MF F
C409	1-107-820-11	s	CAPACITOR,CHIP CERAMIC 0.1MF F
C410	1-107-820-11	s	CAPACITOR,CHIP CERAMIC 0.1MF F
C411	1-107-820-11	s	CAPACITOR,CHIP CERAMIC 0.1MF F
C412	1-107-820-11	s	CAPACITOR,CHIP CERAMIC 0.1MF F
C413	1-107-820-11	s	CAPACITOR,CHIP CERAMIC 0.1MF F
C414	1-107-820-11	s	CAPACITOR,CHIP CERAMIC 0.1MF F
C415	1-126-205-11	s	CAPACITOR,ELECT 47M/6.3
C416	1-164-947-11	s	CAPACITOR CHIP CERAMIC 0.01MF
C450	1-107-820-11	s	CAPACITOR,CHIP CERAMIC 0.1MF F
C451	1-107-820-11	s	CAPACITOR,CHIP CERAMIC 0.1MF F
C452	1-107-820-11	s	CAPACITOR,CHIP CERAMIC 0.1MF F
C471	1-107-820-11	s	CAPACITOR,CHIP CERAMIC 0.1MF F
C472	1-126-205-11	s	CAPACITOR,ELECT 47M/6.3
C473	1-107-820-11	s	CAPACITOR,CHIP CERAMIC 0.1MF F
C474	1-164-935-11	s	CAPACITOR,CHIP CERAMIC 470PF
C475	1-164-935-11	s	CAPACITOR,CHIP CERAMIC 470PF
C501	1-107-820-11	s	CAPACITOR,CHIP CERAMIC 0.1MF F
C502	1-127-715-11	s	CAPACITOR,CERAMIC 0.22MF B1608
C503	1-107-820-11	s	CAPACITOR,CHIP CERAMIC 0.1MF F
C504	1-126-206-11	s	CAPACITOR, ELECT 100MF/6.3V
C505	1-127-715-11	s	CAPACITOR,CERAMIC 0.22MF B1608
C506	1-127-715-11	s	CAPACITOR,CERAMIC 0.22MF B1608
C507	1-127-715-11	s	CAPACITOR,CERAMIC 0.22MF B1608
C508	1-127-715-11	s	CAPACITOR,CERAMIC 0.22MF B1608
C509	1-127-715-11	s	CAPACITOR,CERAMIC 0.22MF B1608
C510	1-127-715-11	s	CAPACITOR,CERAMIC 0.22MF B1608
C511	1-127-715-11	s	CAPACITOR,CERAMIC 0.22MF B1608
C512	1-164-156-11	s	CAPACITOR,CERAMIC 0.1MF/25V F

(C BOARD)(VPL-CS5)

Ref. No. or Q'ty	Part No.	SP	Description
C513	1-128-992-11	s	CAPACITOR ELECT 47MF 25V
C514	1-128-992-11	s	CAPACITOR ELECT 47MF 25V
C515	1-164-156-11	s	CAPACITOR,CERAMIC 0.1MF/25V F
C516	1-164-156-11	s	CAPACITOR,CERAMIC 0.1MF/25V F
C517	1-164-156-11	s	CAPACITOR,CERAMIC 0.1MF/25V F
C518	1-164-156-11	s	CAPACITOR,CERAMIC 0.1MF/25V F
C519	1-164-156-11	s	CAPACITOR,CERAMIC 0.1MF/25V F
C520	1-117-681-11	s	CAPACITOR, ELECT 100MF/16V
C521	1-164-156-11	s	CAPACITOR,CERAMIC 0.1MF/25V F
C550	1-164-947-11	s	CAPACITOR CHIP CERAMIC 0.01MF
C552	1-115-340-11	s	CAPACITOR CERAMIC 0.22MF/25V B
C553	1-164-156-11	s	CAPACITOR,CERAMIC 0.1MF/25V F
C554	1-164-156-11	s	CAPACITOR,CERAMIC 0.1MF/25V F
C555	1-128-992-11	s	CAPACITOR ELECT 47MF 25V
C601	1-107-820-11	s	CAPACITOR,CHIP CERAMIC 0.1MF F
C602	1-127-715-11	s	CAPACITOR,CERAMIC 0.22MF B1608
C603	1-107-820-11	s	CAPACITOR,CHIP CERAMIC 0.1MF F
C604	1-126-206-11	s	CAPACITOR, ELECT 100MF/6.3V
C605	1-127-715-11	s	CAPACITOR,CERAMIC 0.22MF B1608
C606	1-127-715-11	s	CAPACITOR,CERAMIC 0.22MF B1608
C607	1-127-715-11	s	CAPACITOR,CERAMIC 0.22MF B1608
C608	1-127-715-11	s	CAPACITOR,CERAMIC 0.22MF B1608
C609	1-127-715-11	s	CAPACITOR,CERAMIC 0.22MF B1608
C610	1-127-715-11	s	CAPACITOR,CERAMIC 0.22MF B1608
C611	1-127-715-11	s	CAPACITOR,CERAMIC 0.22MF B1608
C612	1-164-156-11	s	CAPACITOR,CERAMIC 0.1MF/25V F
C613	1-128-992-11	s	CAPACITOR ELECT 47MF 25V
C614	1-128-992-11	s	CAPACITOR ELECT 47MF 25V
C615	1-164-156-11	s	CAPACITOR,CERAMIC 0.1MF/25V F
C616	1-164-156-11	s	CAPACITOR,CERAMIC 0.1MF/25V F
C617	1-164-156-11	s	CAPACITOR,CERAMIC 0.1MF/25V F
C618	1-164-156-11	s	CAPACITOR,CERAMIC 0.1MF/25V F
C619	1-164-156-11	s	CAPACITOR,CERAMIC 0.1MF/25V F
C620	1-117-681-11	s	CAPACITOR, ELECT 100MF/16V
C621	1-164-156-11	s	CAPACITOR,CERAMIC 0.1MF/25V F
C701	1-107-820-11	s	CAPACITOR,CHIP CERAMIC 0.1MF F
C702	1-127-715-11	s	CAPACITOR,CERAMIC 0.22MF B1608
C703	1-107-820-11	s	CAPACITOR,CHIP CERAMIC 0.1MF F
C704	1-126-206-11	s	CAPACITOR, ELECT 100MF/6.3V
C705	1-127-715-11	s	CAPACITOR,CERAMIC 0.22MF B1608
C706	1-127-715-11	s	CAPACITOR,CERAMIC 0.22MF B1608
C707	1-127-715-11	s	CAPACITOR,CERAMIC 0.22MF B1608
C708	1-127-715-11	s	CAPACITOR,CERAMIC 0.22MF B1608
C709	1-127-715-11	s	CAPACITOR,CERAMIC 0.22MF B1608
C710	1-127-715-11	s	CAPACITOR,CERAMIC 0.22MF B1608
C711	1-127-715-11	s	CAPACITOR,CERAMIC 0.22MF B1608
C712	1-164-156-11	s	CAPACITOR,CERAMIC 0.1MF/25V F
C713	1-128-992-11	s	CAPACITOR ELECT 47MF 25V
C714	1-128-992-11	s	CAPACITOR ELECT 47MF 25V
C715	1-164-156-11	s	CAPACITOR,CERAMIC 0.1MF/25V F
C716	1-164-156-11	s	CAPACITOR,CERAMIC 0.1MF/25V F
C717	1-164-156-11	s	CAPACITOR,CERAMIC 0.1MF/25V F
C718	1-164-156-11	s	CAPACITOR,CERAMIC 0.1MF/25V F
C719	1-164-156-11	s	CAPACITOR,CERAMIC 0.1MF/25V F
C720	1-117-681-11	s	CAPACITOR, ELECT 100MF/16V
C721	1-164-156-11	s	CAPACITOR,CERAMIC 0.1MF/25V F
C800	1-124-778-00	s	CAPACITOR,ELECT 22MF/6.3V
C801	1-164-947-11	s	CAPACITOR CHIP CERAMIC 0.01MF
C802	1-165-871-11	s	CAPACITOR,ELECT 22MF

(C BOARD)(VPL-CS5)

Ref. No. or Q'ty	Part No.	SP	Description
C803	1-115-566-11	s	CAPACITOR,CERAMIC 4.7MF B/6.3V
C804	1-107-820-11	s	CAPACITOR,CHIP CERAMIC 0.1MF F
C805	1-164-947-11	s	CAPACITOR,CHIP CERAMIC 0.01MF
C806	1-107-820-11	s	CAPACITOR,CHIP CERAMIC 0.1MF F
C807	1-164-852-11	s	CAPACITOR,CHIP CERAMIC 12PF/16
C808	1-107-820-11	s	CAPACITOR,CHIP CERAMIC 0.1MF F
C809	1-164-852-11	s	CAPACITOR,CHIP CERAMIC 12PF/16
C810	1-164-947-11	s	CAPACITOR,CHIP CERAMIC 0.01MF
C811	1-107-820-11	s	CAPACITOR,CHIP CERAMIC 0.1MF F
C812	1-107-820-11	s	CAPACITOR,CHIP CERAMIC 0.1MF F
C813	1-107-820-11	s	CAPACITOR,CHIP CERAMIC 0.1MF F
C814	1-115-156-11	s	CAPACITOR,CERAMIC 1MF/10V(1608)
C815	1-107-820-11	s	CAPACITOR,CHIP CERAMIC 0.1MF F
C816	1-107-820-11	s	CAPACITOR,CHIP CERAMIC 0.1MF F
C817	1-124-778-00	s	CAPACITOR,ELECT 22MF/6.3V
C818	1-164-940-11	s	CAPACITOR,CHIP CERAMIC 3300/16
C819	1-107-820-11	s	CAPACITOR,CHIP CERAMIC 0.1MF F
C820	1-107-820-11	s	CAPACITOR,CHIP CERAMIC 0.1MF F
C821	1-107-820-11	s	CAPACITOR,CHIP CERAMIC 0.1MF F
C822	1-164-940-11	s	CAPACITOR,CHIP CERAMIC 3300/16
C903	1-107-820-11	s	CAPACITOR,CHIP CERAMIC 0.1MF F
C904	1-164-874-11	s	CAPACITOR,CHIP CERAMIC 100PF
C905	1-164-874-11	s	CAPACITOR,CHIP CERAMIC 100PF
C906	1-107-820-11	s	CAPACITOR,CHIP CERAMIC 0.1MF F
C908	1-115-156-11	s	CAPACITOR,CERAMIC 1MF/10V(1608)
C910	1-164-156-11	s	CAPACITOR,CERAMIC 0.1MF/25V F
C911	1-126-397-11	s	CAPACITOR ELECT 33MF/25V(CHIP)
C913	1-164-156-11	s	CAPACITOR,CERAMIC 0.1MF/25V F
C914	1-164-947-11	s	CAPACITOR,CHIP CERAMIC 0.01MF
C915	1-164-156-11	s	CAPACITOR,CERAMIC 0.1MF/25V F
C916	1-126-397-11	s	CAPACITOR ELECT 33MF/25V(CHIP)
C917	1-107-820-11	s	CAPACITOR,CHIP CERAMIC 0.1MF F
C918	1-126-205-11	s	CAPACITOR,ELECT 47M/6.3
C919	1-107-820-11	s	CAPACITOR,CHIP CERAMIC 0.1MF F
C920	1-131-998-21	s	CAPACITOR,SOLID 82MF
C1026	1-109-982-11	s	CAPACITOR,CHIP CERAMIC 1MF/10V
C1101	1-125-777-11	s	CAPACITOR CERAMIC 0.1MF/10V
C1102	1-125-891-11	s	CAPACITOR CERAMIC 0.47MF/10V
C1103	1-125-891-11	s	CAPACITOR CERAMIC 0.47MF/10V
C1104	1-126-204-11	s	CAPACITOR,ELECT 47MF/16V(CHIP)
C1105	1-126-205-11	s	CAPACITOR,ELECT 47M/6.3
C1106	1-164-156-11	s	CAPACITOR,CERAMIC 0.1MF/25V F
C1107	1-125-777-11	s	CAPACITOR CERAMIC 0.1MF/10V
C1108	1-125-777-11	s	CAPACITOR CERAMIC 0.1MF/10V
C1109	1-126-204-11	s	CAPACITOR,ELECT 47MF/16V(CHIP)
C1110	1-164-156-11	s	CAPACITOR,CERAMIC 0.1MF/25V F
C1111	1-125-777-11	s	CAPACITOR CERAMIC 0.1MF/10V
C1112	1-125-777-11	s	CAPACITOR CERAMIC 0.1MF/10V
C1113	1-126-204-11	s	CAPACITOR,ELECT 47MF/16V(CHIP)
C1114	1-125-777-11	s	CAPACITOR CERAMIC 0.1MF/10V
C1115	1-126-204-11	s	CAPACITOR,ELECT 47MF/16V(CHIP)
C1116	1-164-156-11	s	CAPACITOR,CERAMIC 0.1MF/25V F
C1117	1-125-777-11	s	CAPACITOR CERAMIC 0.1MF/10V
C1118	1-125-777-11	s	CAPACITOR CERAMIC 0.1MF/10V
C1119	1-125-777-11	s	CAPACITOR CERAMIC 0.1MF/10V
C1120	1-117-370-11	s	CAPASITER CERAMIC 10MF (3216)
C1124	1-115-156-11	s	CAPACITOR,CERAMIC 1MF/10V(1608)
C1125	1-107-682-11	s	CAPACITOR,CHIP 1MF/16V (3216)
C1126	1-164-882-11	s	CAPACITOR,CERAMIC 220PF/16V CH

(C BOARD)(VPL-CS5)

Ref. No. or Q'ty	Part No.	SP	Description
C1127	1-115-156-11	s	CAPACITOR,CERAMIC 1MF/10V(1608)
C1128	1-115-156-11	s	CAPACITOR,CERAMIC 1MF/10V(1608)
C1137	1-117-681-11	s	CAPACITOR, ELECT 100MF/16V
C1138	1-125-777-11	s	CAPACITOR CERAMIC 0.1MF/10V
C1140	1-107-820-11	s	CAPACITOR,CHIP CERAMIC 0.1MF F
C1143	1-107-820-11	s	CAPACITOR,CHIP CERAMIC 0.1MF F
C1144	1-125-777-11	s	CAPACITOR CERAMIC 0.1MF/10V
C1145	1-125-777-11	s	CAPACITOR CERAMIC 0.1MF/10V
C1146	1-125-777-11	s	CAPACITOR CERAMIC 0.1MF/10V
CN100	1-784-828-11	s	CONNECTOR, D SUB
CN201	1-770-629-21	s	PIN, CONNECTOR 12P
CN401	1-770-621-21	s	PIN, CONNECTOR 4P
CN502	1-779-730-11	s	CONNECTOR, FFC/FPC (ZIF) 24P
CN602	1-779-730-11	s	CONNECTOR, FFC/FPC (ZIF) 24P
CN702	1-779-730-11	s	CONNECTOR, FFC/FPC (ZIF) 24P
CN800	1-770-629-21	s	PIN, CONNECTOR 12P
CN901	1-770-621-21	s	PIN, CONNECTOR 4P
CN903	1-691-491-21	s	CONNECTOR, FFC/FPC 12P
CN904	1-764-829-11	o	CONNECTOR, FPC 24P
CN906	1-580-055-21	o	PIN, CONNECTOR 2P
CN907	1-770-624-21	s	PIN, CONNECTOR 7P
CN908	1-580-056-21	o	PIN,CONNECTOR 3P
CN909	1-580-056-21	o	PIN,CONNECTOR 3P
CN910	1-580-056-21	o	PIN,CONNECTOR 3P
CN911	1-580-056-21	o	PIN,CONNECTOR 3P
CN912	1-580-056-21	o	PIN,CONNECTOR 3P
CN913	1-778-336-21	s	PIN, CONNECTOR (PC BOARD) 14P
CN914	1-770-622-21	s	PIN, CONNECTOR 5P
CN915	1-770-623-21	s	PIN, CONNECTOR 6P
CN1101	1-569-775-21	o	PIN, CONNECTOR 5P
CN1102	1-580-055-21	o	PIN, CONNECTOR 2P
D100	8-719-073-11	s	DIODE BZA456A
D101	8-719-024-77	s	DIODE HN1D03FU-TE85L
D102	8-719-059-53	s	DIODE MA3J14700LSO
D103	8-719-059-53	s	DIODE MA3J14700LSO
D104	8-719-059-53	s	DIODE MA3J14700LSO
D105	8-719-988-61	s	DIODE 1SS355TE-17
D106	8-719-988-61	s	DIODE 1SS355TE-17
D200	8-719-059-53	s	DIODE MA3J14700LSO
D201	8-719-059-53	s	DIODE MA3J14700LSO
D202	8-719-059-53	s	DIODE MA3J14700LSO
D300	8-719-941-86	s	DIODE DAN202U
D800	8-719-024-77	s	DIODE HN1D03FU-TE85L
D901	8-719-941-86	s	DIODE DAN202U
D902	8-719-941-86	s	DIODE DAN202U
D903	8-719-941-86	s	DIODE DAN202U
D904	8-719-073-11	s	DIODE BZA456A
D905	8-719-083-58	s	DIODE UDZSTE-173.9B
D1008	8-719-083-58	s	DIODE UDZSTE-173.9B
D1009	8-719-083-58	s	DIODE UDZSTE-173.9B
FB100	1-414-921-11	s	INDUCTOR, FERRITE BEAD
FB101	1-414-921-11	s	INDUCTOR, FERRITE BEAD
FB102	1-414-921-11	s	INDUCTOR, FERRITE BEAD
FB200	1-414-921-11	s	INDUCTOR, FERRITE BEAD
FB201	1-414-921-11	s	INDUCTOR, FERRITE BEAD
FB300	1-500-451-11	s	MICRO INDUCTOR (CHIP) 41P750S
FB301	1-500-451-11	s	MICRO INDUCTOR (CHIP) 41P750S
FB302	1-414-921-11	s	INDUCTOR, FERRITE BEAD

(C BOARD)(VPL-CS5)

Ref. No. or Q'ty	Part No.	SP	Description
FB303	1-414-921-11	s	INDUCTOR, FERRITE BEAD
FB401	1-414-921-11	s	INDUCTOR, FERRITE BEAD
FB402	1-414-921-11	s	INDUCTOR, FERRITE BEAD
FB403	1-414-921-11	s	INDUCTOR, FERRITE BEAD
FB404	1-414-921-11	s	INDUCTOR, FERRITE BEAD
FB405	1-414-921-11	s	INDUCTOR, FERRITE BEAD
FB450	1-414-921-11	s	INDUCTOR, FERRITE BEAD
FB451	1-414-921-11	s	INDUCTOR, FERRITE BEAD
FB452	1-414-921-11	s	INDUCTOR, FERRITE BEAD
FB471	1-414-921-11	s	INDUCTOR, FERRITE BEAD
FB502	1-414-921-11	s	INDUCTOR, FERRITE BEAD
FB503	1-414-921-11	s	INDUCTOR, FERRITE BEAD
FB550	1-414-921-11	s	INDUCTOR, FERRITE BEAD
FB552	1-500-451-11	s	MICRO INDUCTOR (CHIP) 41P750S
FB602	1-414-921-11	s	INDUCTOR, FERRITE BEAD
FB603	1-414-921-11	s	INDUCTOR, FERRITE BEAD
FB702	1-414-921-11	s	INDUCTOR, FERRITE BEAD
FB703	1-414-921-11	s	INDUCTOR, FERRITE BEAD
FB800	1-414-921-11	s	INDUCTOR, FERRITE BEAD
FB801	1-414-921-11	s	INDUCTOR, FERRITE BEAD
FB901	1-414-921-11	s	INDUCTOR, FERRITE BEAD
FB902	1-414-921-11	s	INDUCTOR, FERRITE BEAD
FB903	1-414-921-11	s	INDUCTOR, FERRITE BEAD
FB904	1-414-921-11	s	INDUCTOR, FERRITE BEAD
FB905	1-414-921-11	s	INDUCTOR, FERRITE BEAD
FB906	1-414-921-11	s	INDUCTOR, FERRITE BEAD
FB907	1-414-921-11	s	INDUCTOR, FERRITE BEAD
FB908	1-414-921-11	s	INDUCTOR, FERRITE BEAD
FB909	1-239-899-21	s	FILTER, CHIP EMI
FB910	1-239-899-21	s	FILTER, CHIP EMI
FB911	1-239-899-21	s	FILTER, CHIP EMI
FB912	1-239-899-21	s	FILTER, CHIP EMI
FB913	1-239-899-21	s	FILTER, CHIP EMI
FB914	1-239-899-21	s	FILTER, CHIP EMI
FB915	1-414-921-11	s	INDUCTOR, FERRITE BEAD
FB916	1-414-921-11	s	INDUCTOR, FERRITE BEAD
FB917	1-414-921-11	s	INDUCTOR, FERRITE BEAD
FB918	1-414-921-11	s	INDUCTOR, FERRITE BEAD
FB920	1-414-921-11	s	INDUCTOR, FERRITE BEAD
FB921	1-414-921-11	s	INDUCTOR, FERRITE BEAD
FB922	1-414-921-11	s	INDUCTOR, FERRITE BEAD
FB923	1-414-921-11	s	INDUCTOR, FERRITE BEAD
FB924	1-414-921-11	s	INDUCTOR, FERRITE BEAD
FB925	1-469-670-11	o	FERRITE, EMI (SMD)
FB926	1-414-921-11	s	INDUCTOR, FERRITE BEAD
FB927	1-414-921-11	s	INDUCTOR, FERRITE BEAD
FB928	1-414-921-11	s	INDUCTOR, FERRITE BEAD
FB929	1-414-921-11	s	INDUCTOR, FERRITE BEAD
FB930	1-239-899-21	s	FILTER, CHIP EMI
FB931	1-414-921-11	s	INDUCTOR, FERRITE BEAD
FB932	1-469-407-21	s	BEAD, FERRITE 0.5A100
FB933	1-414-921-11	s	INDUCTOR, FERRITE BEAD
FB934	1-469-407-21	s	BEAD, FERRITE 0.5A100
FB935	1-414-921-11	s	INDUCTOR, FERRITE BEAD
FB936	1-469-407-21	s	BEAD, FERRITE 0.5A100
FB937	1-414-921-11	s	INDUCTOR, FERRITE BEAD
FB938	1-469-407-21	s	BEAD, FERRITE 0.5A100
FB939	1-414-921-11	s	INDUCTOR, FERRITE BEAD
FB940	1-469-407-21	s	BEAD, FERRITE 0.5A100

(C BOARD)(VPL-CS5)

Ref. No. or Q'ty	Part No.	SP	Description
FB941	1-414-921-11	s	INDUCTOR, FERRITE BEAD
FB942	1-414-921-11	s	INDUCTOR, FERRITE BEAD
FB943	1-414-921-11	s	INDUCTOR, FERRITE BEAD
FB944	1-414-921-11	s	INDUCTOR, FERRITE BEAD
FB945	1-414-921-11	s	INDUCTOR, FERRITE BEAD
FB946	1-414-921-11	s	INDUCTOR, FERRITE BEAD
FB947	1-414-921-11	s	INDUCTOR, FERRITE BEAD
FB948	1-469-670-11	o	FERRITE, EMI (SMD)
FB1003	1-469-185-11	s	INDUCTOR, FERRITE BEAD
FB1005	1-469-185-11	s	INDUCTOR, FERRITE BEAD
FB1006	1-414-234-11	s	INDUCTOR, FERRITE BEAD
FB1007	1-414-234-11	s	INDUCTOR, FERRITE BEAD
FB1102	1-500-451-11	s	MICRO INDUCTOR (CHIP) 41P750S
FB1103	1-500-451-11	s	MICRO INDUCTOR (CHIP) 41P750S
FB1104	1-500-451-11	s	MICRO INDUCTOR (CHIP) 41P750S
FB1106	1-414-921-11	s	INDUCTOR, FERRITE BEAD
FB1107	1-414-921-11	s	INDUCTOR, FERRITE BEAD
IC100	8-759-661-55	s	IC ST24FC21M6TR
IC101	8-759-533-85	s	IC L88M05T-FA-TL
IC102	8-759-646-02	s	IC M52347FP-TE
IC103	8-759-460-72	s	IC BA033FP
IC104	8-759-659-65	s	IC LP2985IM5X-3.3
IC105	6-702-573-01	s	IC AD9883AKST-110
IC202	8-759-460-72	s	IC BA033FP
IC204	8-759-549-14	s	IC SN74LV244APWR
IC205	8-759-549-07	s	IC SN74LV157APWR
IC206	8-759-659-65	s	IC LP2985IM5X-3.3
IC301	8-759-582-37	s	IC PQ2TZ15U
IC302	8-759-649-43	s	IC SN74AHC1G00DCKR
IC303	8-759-593-23	s	IC S-80928ANMP-DDR-T2
IC304	8-759-548-96	s	IC SN74LV02APWR
IC305	6-702-809-01	s	IC ICS332-SX1734
IC306	8-759-549-01	s	IC SN74LV125APWR
IC307	6-802-339-01	s	IC MBM29LV800TA-70PFTN-1734-2
IC401	8-759-669-41	s	IC SN74LVC125APWR-12
IC403	8-759-447-77	s	IC TC7WH74FU (TE12R)
IC404	8-759-548-99	s	IC SN74LV08APWR
IC405	8-759-593-23	s	IC S-80928ANMP-DDR-T2
IC406	*1	IC	M24C64-WMN6T(B)
IC450	8-759-679-58	s	IC SN74AHCT541PWR
IC451	8-759-679-58	s	IC SN74AHCT541PWR
IC452	8-759-649-32	s	IC SN74AHCT1G04DCKR
IC471	8-759-542-46	s	IC M62392FP
IC502	8-752-103-51	s	IC CXA7000R-T6
IC550	8-759-252-41	s	IC TK11900MTL
IC551	8-759-388-31	s	IC PQ20VZ1U
IC602	8-752-103-51	s	IC CXA7000R-T6
IC702	8-752-103-51	s	IC CXA7000R-T6
IC800	8-759-652-56	s	IC BA033F-E2
IC801	6-702-624-01	s	IC HD64F2377VFQ33V
IC802	8-759-593-23	s	IC S-80928ANMP-DDR-T2
IC803	6-702-688-01	s	IC M24C64-WMN6T(B)
IC804	8-759-592-49	s	IC TC7SZ125FU (TE85R)
IC805	8-759-533-85	s	IC L88M05T-FA-TL
IC903	8-759-681-47	s	IC IRMF-A0T-QTP
IC906	8-759-388-31	s	IC PQ20VZ1U
IC907	8-759-533-85	s	IC L88M05T-FA-TL
IC905	8-759-388-31	s	IC PQ20VZ1U

(C BOARD)(VPL-CS5)

Ref. No. or Q'ty	Part No.	SP Description
IC1101	8-759-714-09	s IC ADXL202JE-REEL
IC1102	8-759-548-96	s IC SN74LV02APWR
IC1103	8-759-352-94	s IC TDA7309D013TR
IC1104	8-759-460-79	s IC BA09FP-E2
IC1105	8-759-580-33	s IC BA6288FS-E2
IC1106	6-702-697-01	s IC TPA2001D1PW
IC1108	8-759-575-16	s IC LMC7101BIM5X
IC1109	8-759-533-85	s IC L88M05T-FA-TL
J1001	1-779-677-11	s CONNECTOR, USB (B)
L100	1-469-523-91	s INDUCTOR 2.2UH (NLFV25)
L101	1-469-523-91	s INDUCTOR 2.2UH (NLFV25)
L201	1-469-523-91	s INDUCTOR 2.2UH (NLFV25)
L202	1-469-526-11	s INDUCTOR 22UH (NLFV25)
L300	1-469-523-91	s INDUCTOR 2.2UH
L471	1-469-523-91	s INDUCTOR 2.2UH (NLFV25)
L501	1-410-369-11	s INDUCTOR,CHIP 1UH (3225)
L502	1-410-369-11	s INDUCTOR,CHIP 1UH (3225)
L503	1-414-078-11	s INDUCTOR 10UH
L601	1-410-369-11	s INDUCTOR,CHIP 1UH (3225)
L602	1-410-369-11	s INDUCTOR,CHIP 1UH (3225)
L603	1-414-078-11	s INDUCTOR 10UH
L701	1-410-369-11	s INDUCTOR,CHIP 1UH (3225)
L702	1-410-369-11	s INDUCTOR,CHIP 1UH (3225)
L703	1-414-078-11	s INDUCTOR 10UH
L1101	1-412-028-11	s INDUCTOR,CHIP 4.7UH (3225)
Q100	8-729-026-53	s TRANSISTOR 2SA1576A-T106-QR
Q101	8-729-905-35	s TRANSISTOR 2SC4081-R
Q102	8-729-013-28	s TRANSISTOR HN1B01FU-TE85R
Q103	8-729-013-28	s TRANSISTOR HN1B01FU-TE85R
Q104	8-729-427-72	s TRANSISTOR XP4501-TXE
Q105	8-729-427-72	s TRANSISTOR XP4501-TXE
Q402	8-729-013-28	s TRANSISTOR HN1B01FU-TE85R
Q450	8-729-907-00	s TRANSISTOR DTC114EU
Q471	8-729-013-26	s TRANSISTOR HN1C03FU-TE85R
Q501	8-729-013-28	s TRANSISTOR HN1B01FU-TE85R
Q502	8-729-013-28	s TRANSISTOR HN1B01FU-TE85R
Q601	8-729-013-28	s TRANSISTOR HN1B01FU-TE85R
Q602	8-729-013-28	s TRANSISTOR HN1B01FU-TE85R
Q701	8-729-013-28	s TRANSISTOR HN1B01FU-TE85R
Q702	8-729-013-28	s TRANSISTOR HN1B01FU-TE85R
Q800	8-729-013-26	s TRANSISTOR HN1C03FU-TE85R
Q801	8-729-013-28	s TRANSISTOR HN1B01FU-TE85R
Q901	8-729-427-72	s TRANSISTOR XP4501-TXE
Q902	8-729-427-72	s TRANSISTOR XP4501-TXE
Q903	8-729-026-53	s TRANSISTOR 2SA1576A-T106-QR
Q904	8-729-905-35	s TRANSISTOR 2SC4081-R
Q1104	8-729-029-14	s TRANSISTOR DTC144EUA-T106
R100	1-218-990-11	s RESISTOR,CHIP 0 1/16W (1005)
R101	1-218-990-11	s RESISTOR,CHIP 0 1/16W (1005)
R102	1-218-990-11	s RESISTOR,CHIP 0 1/16W (1005)
R103	1-211-975-11	s RESISTOR,CHIP 18 1/10W (1608)
R104	1-211-975-11	s RESISTOR,CHIP 18 1/10W (1608)
R105	1-211-975-11	s RESISTOR,CHIP 18 1/10W (1608)
R106	1-218-990-11	s RESISTOR,CHIP 0 1/16W (1005)
R107	1-211-987-11	s RESISTOR,CHIP 56 1/10W (1608)
R108	1-211-987-11	s RESISTOR,CHIP 56 1/10W (1608)
R109	1-211-987-11	s RESISTOR,CHIP 56 1/10W (1608)

(C BOARD)(VPL-CS5)

Ref. No. or Q'ty	Part No.	SP Description
R110	1-218-953-11	s RESISTOR, CHIP 1K 1/16W
R111	1-218-953-11	s RESISTOR, CHIP 1K 1/16W
R112	1-218-937-11	s RESISTOR, CHIP 47
R113	1-218-937-11	s RESISTOR, CHIP 47
R114	1-218-945-11	s RESISTOR,CHIP 220 1/16W(1005)
R115	1-218-967-11	s RESISTOR,CHIP 15K 1/16W (1608)
R116	1-218-949-11	s RESISTOR,CHIP 470 1/16W
R117	1-218-967-11	s RESISTOR,CHIP 15K 1/16W (1608)
R119	1-218-953-11	s RESISTOR, CHIP 1K 1/16W
R120	1-218-953-11	s RESISTOR, CHIP 1K 1/16W
R122	1-218-973-11	s RESISTOR,CHIP 47K 1/16W (1005)
R123	1-218-949-11	s RESISTOR,CHIP 470 1/16W
R124	1-218-953-11	s RESISTOR, CHIP 1K 1/16W
R125	1-218-953-11	s RESISTOR, CHIP 1K 1/16W
R128	1-218-937-11	s RESISTOR, CHIP 47
R130	1-218-977-11	s RESISTOR,CHIP 100K 1/16W(1005)
R131	1-218-937-11	s RESISTOR, CHIP 47
R132	1-218-937-11	s RESISTOR, CHIP 47
R133	1-218-937-11	s RESISTOR, CHIP 47
R134	1-218-953-11	s RESISTOR, CHIP 1K 1/16W
R135	1-218-937-11	s RESISTOR, CHIP 47
R136	1-218-973-11	s RESISTOR,CHIP 47K 1/16W (1005)
R137	1-218-965-11	s RESISTOR, CHIP 10K 1/16W
R138	1-218-961-11	s RESISTOR, CHIP 4.7K 1/16W
R141	1-218-973-11	s RESISTOR,CHIP 47K 1/16W (1005)
R142	1-218-959-11	s RESISTOR, CHIP 3.3K
R144	1-218-957-11	s RESISTOR,CHIP 2.2K 1/16W(1608)
R145	1-218-937-11	s RESISTOR, CHIP 47
R146	1-218-937-11	s RESISTOR, CHIP 47
R147	1-218-937-11	s RESISTOR, CHIP 47
R148	1-218-945-11	s RESISTOR,CHIP 220 1/16W(1005)
R149	1-218-990-11	s RESISTOR,CHIP 0 1/16W (1005)
R150	1-218-990-11	s RESISTOR,CHIP 0 1/16W (1005)
R151	1-208-643-11	s RESISTOR CHIP 22 1/16W (1005)
R152	1-208-643-11	s RESISTOR CHIP 22 1/16W (1005)
R153	1-218-937-11	s RESISTOR, CHIP 47
R155	1-218-937-11	s RESISTOR, CHIP 47
R156	1-218-937-11	s RESISTOR, CHIP 47
R157	1-218-937-11	s RESISTOR, CHIP 47
R159	1-208-643-11	s RESISTOR CHIP 22 1/16W (1005)
R160	1-218-937-11	s RESISTOR, CHIP 47
R161	1-208-695-11	s RESISTOR CHIP 3.3K 1/16W(1005)
R163	1-218-937-11	s RESISTOR, CHIP 47
R164	1-218-969-11	s RESISTOR,CHIP 22K 1/16W (1608)
R165	1-218-973-11	s RESISTOR,CHIP 47K 1/16W (1005)
R166	1-218-969-11	s RESISTOR,CHIP 22K 1/16W (1608)
R167	1-218-973-11	s RESISTOR,CHIP 47K 1/16W (1005)
R168	1-218-969-11	s RESISTOR,CHIP 22K 1/16W (1608)
R169	1-218-973-11	s RESISTOR,CHIP 47K 1/16W (1005)
R170	1-218-989-11	s RESISTOR,CHIP 1M 1/16W (1005)
R171	1-208-701-11	s RESISTOR CHIP 5.6K 1/16W(1005)
R172	1-208-699-11	s RESISTOR,CHIP 4.7K 1/16W(1005)
R173	1-218-937-11	s RESISTOR, CHIP 47
R174	1-208-671-11	s RESISTOR CHIP 330 1/16W (1005)
R175	1-218-953-11	s RESISTOR, CHIP 1K 1/16W
R176	1-208-689-11	s RESISTOR CHIP 1.8K 1/16W(1005)
R177	1-218-953-11	s RESISTOR, CHIP 1K 1/16W
R178	1-208-693-11	s RESISTOR CHIP 2.7K 1/16W(1005)
R179	1-208-699-11	s RESISTOR,CHIP 4.7K 1/16W(1005)

(C BOARD)(VPL-CS5)

Ref. No. or Q'ty	Part No.	SP	Description
R180	1-218-957-11	s	RESISTOR,CHIP 2.2K 1/16W(1608)
R181	1-218-981-11	s	RESISTOR CHIP 220K 1/16W(1005)
R201	1-218-990-11	s	RESISTOR,CHIP 0 1/16W (1005)
R202	1-218-990-11	s	RESISTOR,CHIP 0 1/16W (1005)
R206	1-218-990-11	s	RESISTOR,CHIP 0 1/16W (1005)
R207	1-211-975-11	s	RESISTOR,CHIP 18 1/10W (1608)
R208	1-211-975-11	s	RESISTOR,CHIP 18 1/10W (1608)
R209	1-211-975-11	s	RESISTOR,CHIP 18 1/10W (1608)
R211	1-211-987-11	s	RESISTOR,CHIP 56 1/10W (1608)
R212	1-211-987-11	s	RESISTOR,CHIP 56 1/10W (1608)
R213	1-211-987-11	s	RESISTOR,CHIP 56 1/10W (1608)
R217	1-218-990-11	s	RESISTOR,CHIP 0 1/16W (1005)
R218	1-218-990-11	s	RESISTOR,CHIP 0 1/16W (1005)
R219	1-218-990-11	s	RESISTOR,CHIP 0 1/16W (1005)
R220	1-218-961-11	s	RESISTOR, CHIP 4.7K 1/16W
R221	1-218-990-11	s	RESISTOR,CHIP 0 1/16W (1005)
R222	1-218-937-11	s	RESISTOR, CHIP 47
R223	1-218-937-11	s	RESISTOR, CHIP 47
R224	1-218-937-11	s	RESISTOR, CHIP 47
R225	1-218-990-11	s	RESISTOR,CHIP 0 1/16W (1005)
R226	1-218-990-11	s	RESISTOR,CHIP 0 1/16W (1005)
R229	1-218-941-11	s	RESISTOR,CHIP 100 1/16W (1005)
R230	1-218-941-11	s	RESISTOR,CHIP 100 1/16W (1005)
R231	1-218-941-11	s	RESISTOR,CHIP 100 1/16W (1005)
R233	1-218-941-11	s	RESISTOR,CHIP 100 1/16W (1005)
R236	1-208-635-11	s	RESISTOR CHIP 10 1/16W (1005)
R238	1-218-941-11	s	RESISTOR,CHIP 100 1/16W (1005)
R249	1-218-941-11	s	RESISTOR,CHIP 100 1/16W (1005)
R251	1-218-941-11	s	RESISTOR,CHIP 100 1/16W (1005)
R252	1-218-937-11	s	RESISTOR, CHIP 47
R253	1-218-937-11	s	RESISTOR, CHIP 47
R254	1-218-937-11	s	RESISTOR, CHIP 47
R255	1-218-941-11	s	RESISTOR,CHIP 100 1/16W (1005)
R256	1-218-941-11	s	RESISTOR,CHIP 100 1/16W (1005)
R257	1-218-937-11	s	RESISTOR, CHIP 47
R262	1-218-990-11	s	RESISTOR,CHIP 0 1/16W (1005)
R267	1-208-635-11	s	RESISTOR CHIP 10 1/16W (1005)
R268	1-218-990-11	s	RESISTOR,CHIP 0 1/16W (1005)
R301	1-218-965-11	s	RESISTOR, CHIP 10K 1/16W
R302	1-218-965-11	s	RESISTOR, CHIP 10K 1/16W
R303	1-218-965-11	s	RESISTOR, CHIP 10K 1/16W
R304	1-218-965-11	s	RESISTOR, CHIP 10K 1/16W
R305	1-218-965-11	s	RESISTOR, CHIP 10K 1/16W
R306	1-218-943-11	s	RESISTOR CHIP 150 1/16W (1005)
R308	1-218-990-11	s	RESISTOR,CHIP 0 1/16W (1005)
R310	1-218-953-11	s	RESISTOR, CHIP 1K 1/16W
R312	1-218-941-11	s	RESISTOR,CHIP 100 1/16W (1005)
R313	1-218-937-11	s	RESISTOR CHIP 47 1/16W (1005)
R314	1-218-953-11	s	RESISTOR, CHIP 1K 1/16W
R315	1-218-959-11	s	RESISTOR, CHIP 3.3K
R316	1-218-959-11	s	RESISTOR, CHIP 3.3K
R317	1-218-941-11	s	RESISTOR,CHIP 100 1/16W (1005)
R318	1-218-961-11	s	RESISTOR, CHIP 4.7K 1/16W
R319	1-218-990-11	s	RESISTOR,CHIP 0 1/16W (1005)
R320	1-218-990-11	s	RESISTOR,CHIP 0 1/16W (1005)
R321	1-218-990-11	s	RESISTOR,CHIP 0 1/16W (1005)
R322	1-218-965-11	s	RESISTOR, CHIP 10K 1/16W
R325	1-218-957-11	s	RESISTOR,CHIP 2.2K 1/16W(1608)
R326	1-208-643-11	s	RESISTOR CHIP 22 1/16W (1005)

(C BOARD)(VPL-CS5)

Ref. No. or Q'ty	Part No.	SP	Description
R327	1-208-643-11	s	RESISTOR CHIP 22 1/16W (1005)
R328	1-208-643-11	s	RESISTOR CHIP 22 1/16W (1005)
R331	1-218-941-11	s	RESISTOR,CHIP 100 1/16W (1005)
R332	1-218-961-11	s	RESISTOR, CHIP 4.7K 1/16W
R401	1-218-965-11	s	RESISTOR, CHIP 10K 1/16W
R402	1-218-965-11	s	RESISTOR, CHIP 10K 1/16W
R403	1-218-941-11	s	RESISTOR,CHIP 100 1/16W (1005)
R404	1-218-941-11	s	RESISTOR,CHIP 100 1/16W (1005)
R405	1-218-941-11	s	RESISTOR,CHIP 100 1/16W (1005)
R406	1-218-941-11	s	RESISTOR,CHIP 100 1/16W (1005)
R407	1-218-941-11	s	RESISTOR,CHIP 100 1/16W (1005)
R408	1-218-941-11	s	RESISTOR,CHIP 100 1/16W (1005)
R409	1-218-937-11	s	RESISTOR, CHIP 47
R410	1-218-937-11	s	RESISTOR, CHIP 47
R416	1-218-937-11	s	RESISTOR, CHIP 47
R419	1-218-937-11	s	RESISTOR, CHIP 47
R420	1-218-937-11	s	RESISTOR, CHIP 47
R421	1-218-937-11	s	RESISTOR, CHIP 47
R422	1-218-937-11	s	RESISTOR, CHIP 47
R423	1-218-937-11	s	RESISTOR, CHIP 47
R424	1-218-937-11	s	RESISTOR, CHIP 47
R425	1-218-937-11	s	RESISTOR, CHIP 47
R426	1-218-965-11	s	RESISTOR, CHIP 10K 1/16W
R427	1-218-973-11	s	RESISTOR,CHIP 47K 1/16W (1005)
R428	1-218-953-11	s	RESISTOR, CHIP 1K 1/16W
R429	1-218-965-11	s	RESISTOR, CHIP 10K 1/16W
R430	1-218-960-11	s	RESISTOR, CHIP 3.9K 1/16W
R431	1-218-960-11	s	RESISTOR, CHIP 3.9K 1/16W
R450	1-218-957-11	s	RESISTOR,CHIP 2.2K 1/16W(1608)
R451	1-218-941-11	s	RESISTOR,CHIP 100 1/16W (1005)
R452	1-218-937-11	s	RESISTOR, CHIP 47
R471	1-218-941-11	s	RESISTOR,CHIP 100 1/16W (1005)
R472	1-218-941-11	s	RESISTOR,CHIP 100 1/16W (1005)
R473	1-218-941-11	s	RESISTOR,CHIP 100 1/16W (1005)
R474	1-218-941-11	s	RESISTOR,CHIP 100 1/16W (1005)
R475	1-218-961-11	s	RESISTOR, CHIP 4.7K 1/16W
R476	1-218-961-11	s	RESISTOR, CHIP 4.7K 1/16W
R477	1-218-973-11	s	RESISTOR,CHIP 47K 1/16W (1005)
R478	1-218-973-11	s	RESISTOR,CHIP 47K 1/16W (1005)
R501	1-218-965-11	s	RESISTOR, CHIP 10K 1/16W
R502	1-218-965-11	s	RESISTOR, CHIP 10K 1/16W
R507	1-218-965-11	s	RESISTOR, CHIP 10K 1/16W
R508	1-218-965-11	s	RESISTOR, CHIP 10K 1/16W
R521	1-218-941-11	s	RESISTOR,CHIP 100 1/16W (1005)
R522	1-218-957-11	s	RESISTOR,CHIP 2.2K 1/16W(1608)
R523	1-218-957-11	s	RESISTOR,CHIP 2.2K 1/16W(1608)
R524	1-208-635-11	s	RESISTOR CHIP 10 1/16W (1005)
R525	1-208-635-11	s	RESISTOR CHIP 10 1/16W (1005)
R526	1-218-990-11	s	RESISTOR,CHIP 0 1/16W (1005)
R528	1-218-990-11	s	RESISTOR,CHIP 0 1/16W (1005)
R550	1-208-711-11	s	RESISTOR CHIP 15K 1/16W (1005)
R551	1-218-744-11	s	RESISTOR,CHIP 150K 1/16W
R552	1-218-965-11	s	RESISTOR, CHIP 10K 1/16W
R553	1-218-961-11	s	RESISTOR, CHIP 4.7K 1/16W
R554	1-219-598-11	s	RESISTOR, CHIP 47K 1/16W(1005)
R555	1-208-711-11	s	RESISTOR CHIP 15K 1/16W (1005)
R556	1-208-683-11	s	RESISTOR CHIP 1K 1/16W (1005)
R601	1-218-965-11	s	RESISTOR, CHIP 10K 1/16W
R602	1-218-965-11	s	RESISTOR, CHIP 10K 1/16W

(C BOARD)(VPL-CS5)

Ref. No. or Q'ty	Part No.	SP	Description
R607	1-218-965-11	s	RESISTOR, CHIP 10K 1/16W
R608	1-218-965-11	s	RESISTOR, CHIP 10K 1/16W
R621	1-218-941-11	s	RESISTOR,CHIP 100 1/16W (1005)
R622	1-218-957-11	s	RESISTOR,CHIP 2.2K 1/16W(1608)
R623	1-218-957-11	s	RESISTOR,CHIP 2.2K 1/16W(1608)
R624	1-208-635-11	s	RESISTOR CHIP 10 1/16W (1005)
R625	1-208-635-11	s	RESISTOR CHIP 10 1/16W (1005)
R626	1-218-990-11	s	RESISTOR,CHIP 0 1/16W (1005)
R628	1-218-990-11	s	RESISTOR,CHIP 0 1/16W (1005)
R701	1-218-965-11	s	RESISTOR, CHIP 10K 1/16W
R702	1-218-965-11	s	RESISTOR, CHIP 10K 1/16W
R707	1-218-965-11	s	RESISTOR, CHIP 10K 1/16W
R708	1-218-965-11	s	RESISTOR, CHIP 10K 1/16W
R721	1-218-941-11	s	RESISTOR,CHIP 100 1/16W (1005)
R722	1-218-957-11	s	RESISTOR,CHIP 2.2K 1/16W(1608)
R723	1-218-957-11	s	RESISTOR,CHIP 2.2K 1/16W(1608)
R724	1-208-635-11	s	RESISTOR CHIP 10 1/16W (1005)
R725	1-208-635-11	s	RESISTOR CHIP 10 1/16W (1005)
R726	1-218-990-11	s	RESISTOR,CHIP 0 1/16W (1005)
R728	1-218-990-11	s	RESISTOR,CHIP 0 1/16W (1005)
R800	1-208-699-11	s	RESISTOR,CHIP 4.7K 1/16W(1005)
R801	1-218-965-11	s	RESISTOR, CHIP 10K 1/16W
R803	1-218-961-11	s	RESISTOR, CHIP 4.7K 1/16W
R805	1-218-961-11	s	RESISTOR, CHIP 4.7K 1/16W
R806	1-218-965-11	s	RESISTOR, CHIP 10K 1/16W
R807	1-218-941-11	s	RESISTOR,CHIP 100 1/16W (1005)
R808	1-218-941-11	s	RESISTOR,CHIP 100 1/16W (1005)
R809	1-218-961-11	s	RESISTOR, CHIP 4.7K 1/16W
R810	1-218-961-11	s	RESISTOR, CHIP 4.7K 1/16W
R811	1-218-965-11	s	RESISTOR, CHIP 10K 1/16W
R812	1-218-965-11	s	RESISTOR, CHIP 10K 1/16W
R813	1-218-973-11	s	RESISTOR,CHIP 47K 1/16W (1005)
R814	1-218-973-11	s	RESISTOR,CHIP 47K 1/16W (1005)
R815	1-218-973-11	s	RESISTOR,CHIP 47K 1/16W (1005)
R816	1-218-965-11	s	RESISTOR, CHIP 10K 1/16W
R817	1-218-965-11	s	RESISTOR, CHIP 10K 1/16W
R818	1-218-961-11	s	RESISTOR, CHIP 4.7K 1/16W
R819	1-218-961-11	s	RESISTOR, CHIP 4.7K 1/16W
R820	1-218-957-11	s	RESISTOR,CHIP 2.2K 1/16W(1608)
R821	1-218-957-11	s	RESISTOR,CHIP 2.2K 1/16W(1608)
R822	1-218-965-11	s	RESISTOR,CHIP 10K 1/16W
R823	1-218-965-11	s	RESISTOR, CHIP 10K 1/16W
R825	1-218-965-11	s	RESISTOR,CHIP 10K 1/16W
R826	1-208-635-11	s	RESISTOR CHIP 10 1/16W (1005)
R827	1-218-945-11	s	RESISTOR,CHIP 220 1/16W(1005)
R828	1-218-973-11	s	RESISTOR,CHIP 47K 1/16W (1005)
R829	1-218-965-11	s	RESISTOR, CHIP 10K 1/16W
R830	1-218-973-11	s	RESISTOR,CHIP 47K 1/16W (1005)
R832	1-218-965-11	s	RESISTOR, CHIP 10K 1/16W
R833	1-218-965-11	s	RESISTOR, CHIP 10K 1/16W
R834	1-218-965-11	s	RESISTOR, CHIP 10K 1/16W
R835	1-218-953-11	s	RESISTOR, CHIP 1K 1/16W
R836	1-218-965-11	s	RESISTOR, CHIP 10K 1/16W
R838	1-218-971-11	s	RESISTOR,CHIP 33K 1/16W (1005)
R839	1-218-971-11	s	RESISTOR,CHIP 33K 1/16W (1005)
R840	1-218-941-11	s	RESISTOR,CHIP 100 1/16W (1005)
R841	1-218-941-11	s	RESISTOR,CHIP 100 1/16W (1005)
R842	1-218-965-11	s	RESISTOR, CHIP 10K 1/16W
R843	1-218-958-11	s	RESISTOR,CHIP 2.7K 1/16W(1005)

(C BOARD)(VPL-CS5)

Ref. No. or Q'ty	Part No.	SP	Description
R844	1-218-965-11	s	RESISTOR, CHIP 10K 1/16W
R845	1-218-941-11	s	RESISTOR,CHIP 100 1/16W (1005)
R846	1-218-941-11	s	RESISTOR,CHIP 100 1/16W (1005)
R847	1-218-965-11	s	RESISTOR, CHIP 10K 1/16W
R848	1-218-965-11	s	RESISTOR, CHIP 10K 1/16W
R850	1-218-965-11	s	RESISTOR, CHIP 10K 1/16W
R851	1-218-965-11	s	RESISTOR, CHIP 10K 1/16W
R852	1-218-965-11	s	RESISTOR, CHIP 10K 1/16W
R853	1-218-953-11	s	RESISTOR, CHIP 1K 1/16W
R854	1-218-990-11	s	RESISTOR,CHIP 0 1/16W (1005)
R904	1-218-941-11	s	RESISTOR,CHIP 100 1/16W (1005)
R905	1-218-941-11	s	RESISTOR,CHIP 100 1/16W (1005)
R906	1-218-973-11	s	RESISTOR,CHIP 47K 1/16W (1005)
R907	1-218-945-11	s	RESISTOR,CHIP 220 1/16W(1005)
R908	1-218-945-11	s	RESISTOR,CHIP 220 1/16W(1005)
R909	1-218-945-11	s	RESISTOR,CHIP 220 1/16W(1005)
R910	1-218-945-11	s	RESISTOR,CHIP 220 1/16W(1005)
R911	1-218-973-11	s	RESISTOR,CHIP 47K 1/16W (1005)
R912	1-218-962-11	s	RESISTOR,CHIP 5.6K 1/16W(1005)
R913	1-218-941-11	s	RESISTOR,CHIP 100 1/16W (1005)
R914	1-218-941-11	s	RESISTOR,CHIP 100 1/16W (1005)
R915	1-218-957-11	s	RESISTOR,CHIP 2.2K 1/16W(1608)
R916	1-218-959-11	s	RESISTOR, CHIP 3.3K
R917	1-208-707-11	s	RESISTOR,CHIP 10K 1/16W (1005)
R918	1-208-707-11	s	RESISTOR,CHIP 10K 1/16W (1005)
R919	1-208-717-11	s	RESISTOR CHIP 27K 1/16W (1005)
R920	1-208-683-11	s	RESISTOR CHIP 1K 1/16W (1005)
R921	1-208-697-11	s	RESISTOR CHIP 3.9K 1/16W(1005)
R922	1-218-965-11	s	RESISTOR, CHIP 10K 1/16W
R923	1-218-965-11	s	RESISTOR, CHIP 10K 1/16W
R924	1-218-965-11	s	RESISTOR, CHIP 10K 1/16W
R925	1-218-969-11	s	RESISTOR,CHIP 22K 1/16W (1608)
R926	1-218-965-11	s	RESISTOR, CHIP 10K 1/16W
R927	1-218-941-11	s	RESISTOR,CHIP 100 1/16W (1005)
R928	1-218-969-11	s	RESISTOR,CHIP 22K 1/16W (1608)
R930	1-218-969-11	s	RESISTOR,CHIP 22K 1/16W (1608)
R931	1-218-969-11	s	RESISTOR,CHIP 22K 1/16W (1608)
R932	1-218-969-11	s	RESISTOR,CHIP 22K 1/16W (1608)
R933	1-218-969-11	s	RESISTOR,CHIP 22K 1/16W (1608)
R934	1-218-965-11	s	RESISTOR, CHIP 10K 1/16W
R935	1-208-707-11	s	RESISTOR,CHIP 10K 1/16W (1005)
R936	1-208-717-11	s	RESISTOR CHIP 27K 1/16W (1005)
R937	1-208-683-11	s	RESISTOR CHIP 1K 1/16W (1005)
R938	1-208-697-11	s	RESISTOR CHIP 3.9K 1/16W(1005)
R939	1-218-965-11	s	RESISTOR, CHIP 10K 1/16W
R940	1-208-707-11	s	RESISTOR,CHIP 10K 1/16W (1005)
R941	1-218-943-11	s	RESISTOR,CHIP 150 1/16W
R942	1-218-943-11	s	RESISTOR,CHIP 150 1/16W
R943	1-218-953-11	s	RESISTOR, CHIP 1K 1/16W
R944	1-218-953-11	s	RESISTOR, CHIP 1K 1/16W
R945	1-218-965-11	s	RESISTOR, CHIP 10K 1/16W
R946	1-218-965-11	s	RESISTOR, CHIP 10K 1/16W
R947	1-218-953-11	s	RESISTOR, CHIP 1K 1/16W
R1101	1-218-917-11	s	RESISTOR,CHIP 820K 1/10W(1608)
R1102	1-218-941-11	s	RESISTOR,CHIP 100 1/16W (1005)
R1104	1-218-941-11	s	RESISTOR,CHIP 100 1/16W (1005)
R1105	1-218-941-11	s	RESISTOR,CHIP 100 1/16W (1005)
R1106	1-218-941-11	s	RESISTOR,CHIP 100 1/16W (1005)
R1107	1-218-941-11	s	RESISTOR,CHIP 100 1/16W (1005)

(C BOARD)(VPL-CS5)

Ref. No. or Q'ty	Part No.	SP	Description	
R1108	1-208-643-11	s	RESISTOR CHIP 22 1/16W (1005)	
R1109	1-208-643-11	s	RESISTOR CHIP 22 1/16W (1005)	
R1116	1-218-990-11	s	RESISTOR,CHIP 0 1/16W (1005)	
R1117	1-218-941-11	s	RESISTOR,CHIP 100 1/16W (1005)	
R1118	1-218-941-11	s	RESISTOR,CHIP 100 1/16W (1005)	
R1120	1-218-973-11	s	RESISTOR,CHIP 47K 1/16W (1005)	
R1121	1-218-973-11	s	RESISTOR,CHIP 47K 1/16W (1005)	
R1122	1-218-965-11	s	RESISTOR, CHIP 10K 1/16W	
R1124	1-218-965-11	s	RESISTOR, CHIP 10K 1/16W	
R1125	1-218-977-11	s	RESISTOR,CHIP 100K 1/16W(1005)	
R1126	1-218-990-11	s	RESISTOR,CHIP 0 1/16W (1005)	
R1128	1-218-977-11	s	RESISTOR,CHIP 100K 1/16W(1005)	
R1129	1-218-978-11	s	RESISTOR,CHIP 120K 1/16W(1005)	
R1130	1-216-296-00	s	CONDUCTOR, CHIP (3216)	
R1131	1-216-296-00	s	CONDUCTOR, CHIP (3216)	
R1132	1-218-941-11	s	RESISTOR,CHIP 100 1/16W (1005)	
R1133	1-218-941-11	s	RESISTOR,CHIP 100 1/16W (1005)	
R1146	1-218-965-11	s	RESISTOR, CHIP 10K 1/16W	
RB100	1-234-370-11	s	RES, NETWORK 22X4 (1005)	
RB101	1-234-370-11	s	RES, NETWORK 22X4 (1005)	
RB102	1-234-370-11	s	RES, NETWORK 22X4 (1005)	
RB103	1-234-370-11	s	RES, NETWORK 22X4 (1005)	
RB104	1-234-370-11	s	RES, NETWORK 22X4 (1005)	
RB105	1-234-370-11	s	RES, NETWORK 22X4 (1005)	
RB200	1-234-369-21	s	RES, NETWORK 10X4 (1005)	
RB201	1-234-369-21	s	RES, NETWORK 10X4 (1005)	
RB202	1-234-369-21	s	RES, NETWORK 10X4 (1005)	
RB203	1-234-369-21	s	RES, NETWORK 10X4 (1005)	
RB205	1-234-378-11	s	RES, NETWORK 10KX4 (1005)	
RB300	1-234-369-21	s	RES, NETWORK 10X4 (1005)	
RB301	1-234-369-21	s	RES, NETWORK 10X4 (1005)	
RB302	1-234-369-21	s	RES, NETWORK 10X4 (1005)	
RB303	1-234-369-21	s	RES, NETWORK 10X4 (1005)	
RB304	1-234-369-21	s	RES, NETWORK 10X4 (1005)	
RB305	1-234-369-21	s	RES, NETWORK 10X4 (1005)	
RB401	1-234-372-21	s	RES, NETWORK 100X4 (1005)	
RB402	1-234-372-21	s	RES, NETWORK 100X4 (1005)	
RB403	1-234-372-21	s	RES, NETWORK 100X4 (1005)	
RB404	1-234-372-21	s	RES, NETWORK 100X4 (1005)	
RB405	1-234-372-21	s	RES, NETWORK 100X4 (1005)	
RB406	1-234-372-21	s	RES, NETWORK 100X4 (1005)	
RB450	1-234-371-11	s	RES, NETWORK 47X4 (1005)	
RB451	1-234-371-11	s	RES, NETWORK 47X4 (1005)	
RB452	1-234-371-11	s	RES, NETWORK 47X4 (1005)	
RB453	1-234-371-11	s	RES, NETWORK 47X4 (1005)	
RB454	1-234-371-11	s	RES, NETWORK 47X4 (1005)	
RB471	1-234-372-21	s	RES, NETWORK 100X4 (1005)	
RB472	1-234-372-21	s	RES, NETWORK 100X4 (1005)	
RB473	1-234-372-21	s	RES, NETWORK 100X4 (1005)	
RB501	1-234-523-21	s	RESISTOR,CHIP NETWORK	
RB502	1-234-523-21	s	RESISTOR,CHIP NETWORK	
RB601	1-234-523-21	s	RESISTOR,CHIP NETWORK	
RB602	1-234-523-21	s	RESISTOR,CHIP NETWORK	
RB701	1-234-523-21	s	RESISTOR,CHIP NETWORK	
RB702	1-234-523-21	s	RESISTOR,CHIP NETWORK	
RB800	1-234-372-21	s	RES, NETWORK 100X4 (1005)	
RB801	1-234-378-11	s	RES, NETWORK 10KX4 (1005)	
RB802	1-234-372-21	s	RES, NETWORK 100X4 (1005)	

(C BOARD)(VPL-CS5)

Ref. No. or Q'ty	Part No.	SP	Description	
RB803	1-234-375-21	s	RES, NETWORK 1KX4 (1005)	
RB804	1-234-372-21	s	RES, NETWORK 100X4 (1005)	
RB805	1-234-372-21	s	RES, NETWORK 100X4 (1005)	
RB806	1-234-372-21	s	RES, NETWORK 100X4 (1005)	
RB807	1-234-372-21	s	RES, NETWORK 100X4 (1005)	
RB808	1-234-372-21	s	RES, NETWORK 100X4 (1005)	
RB809	1-234-372-21	s	RES, NETWORK 100X4 (1005)	
RB810	1-234-372-21	s	RES, NETWORK 100X4 (1005)	
RB811	1-234-372-21	s	RES, NETWORK 100X4 (1005)	
RB812	1-234-372-21	s	RES, NETWORK 100X4 (1005)	
RB813	1-234-372-21	s	RES, NETWORK 100X4 (1005)	
RB814	1-234-372-21	s	RES, NETWORK 100X4 (1005)	
RB815	1-234-372-21	s	RES, NETWORK 100X4 (1005)	
RB816	1-234-372-21	s	RES, NETWORK 100X4 (1005)	
RB817	1-234-372-21	s	RES, NETWORK 100X4 (1005)	
RB818	1-234-372-21	s	RES, NETWORK 100X4 (1005)	
RB819	1-234-372-21	s	RES, NETWORK 100X4 (1005)	
RB820	1-234-372-21	s	RES, NETWORK 100X4 (1005)	
RB821	1-234-372-21	s	RES, NETWORK 100X4 (1005)	
S401	1-771-337-21	s	SWITCH, SLIDE	
TH800	1-803-382-11	s	THERMISTOR (1005)	
TH1101	1-803-615-11	s	THERMISTOR, POSITIVE	
TP101	1-535-757-11	s	CHIP, CHECKER (CONNECTOR)	
TP102	1-535-757-11	s	CHIP, CHECKER (CONNECTOR)	
TP203	1-535-757-11	s	CHIP, CHECKER (CONNECTOR)	
TP301	1-535-757-11	s	CHIP, CHECKER (CONNECTOR)	
TP302	1-535-757-11	s	CHIP, CHECKER (CONNECTOR)	
TP401	1-535-757-11	s	CHIP, CHECKER (CONNECTOR)	
TP449	1-535-757-11	s	CHIP, CHECKER (CONNECTOR)	
TP450	1-535-757-11	s	CHIP, CHECKER (CONNECTOR)	
TP451	1-535-757-11	s	CHIP, CHECKER (CONNECTOR)	
TP452	1-535-757-11	s	CHIP, CHECKER (CONNECTOR)	
TP453	1-535-757-11	s	CHIP, CHECKER (CONNECTOR)	
TP454	1-535-757-11	s	CHIP, CHECKER (CONNECTOR)	
TP455	1-535-757-11	s	CHIP, CHECKER (CONNECTOR)	
TP456	1-535-757-11	s	CHIP, CHECKER (CONNECTOR)	
TP457	1-535-757-11	s	CHIP, CHECKER (CONNECTOR)	
TP458	1-535-757-11	s	CHIP, CHECKER (CONNECTOR)	
TP459	1-535-757-11	s	CHIP, CHECKER (CONNECTOR)	
TP501	1-535-757-11	s	CHIP, CHECKER (CONNECTOR)	
TP502	1-535-757-11	s	CHIP, CHECKER (CONNECTOR)	
TP503	1-535-757-11	s	CHIP, CHECKER (CONNECTOR)	
TP601	1-535-757-11	s	CHIP, CHECKER (CONNECTOR)	
TP602	1-535-757-11	s	CHIP, CHECKER (CONNECTOR)	
TP603	1-535-757-11	s	CHIP, CHECKER (CONNECTOR)	
TP701	1-535-757-11	s	CHIP, CHECKER (CONNECTOR)	
TP702	1-535-757-11	s	CHIP, CHECKER (CONNECTOR)	
TP703	1-535-757-11	s	CHIP, CHECKER (CONNECTOR)	
TP800	1-535-757-11	s	CHIP, CHECKER (CONNECTOR)	
TP801	1-535-757-11	s	CHIP, CHECKER (CONNECTOR)	
TP1102	1-535-757-11	s	CHIP, CHECKER (CONNECTOR)	
X200	1-795-692-11	s	VIBRATOR, CRYSTAL(24.576MHz)	
X300	1-795-650-21	s	VIBRATOR, CRYSTAL(16.384MHz)	
X800	1-795-650-21	s	VIBRATOR, CRYSTAL(16.384MHz)	

 C BOARD(VPL-CX5)

Note :

*1 If IC406 becomes defective, replace the entire C board.

Ref. No. or Q'ty	Part No.	SP Description
1pc	A-1300-692-A	s MOUNTED CIRCUIT BOARD, C(A3)
1pc	A-1300-747-A	s MOUNTED CIRCUIT BOARD, C(A4)
C100	1-164-947-11	s CAPACITOR CHIP CERAMIC 0.01MF
C101	1-164-947-11	s CAPACITOR CHIP CERAMIC 0.01MF
C102	1-164-947-11	s CAPACITOR CHIP CERAMIC 0.01MF
C103	1-126-205-11	s CAPACITOR,ELECT 47M/6.3
C104	1-126-205-11	s CAPACITOR,ELECT 47M/6.3
C105	1-115-566-11	s CAPACITOR,CERAMIC 4.7MF B/6.3V
C106	1-126-205-11	s CAPACITOR,ELECT 47M/6.3
C107	1-115-566-11	s CAPACITOR,CERAMIC 4.7MF B/6.3V
C108	1-107-820-11	s CAPACITOR,CHIP CERAMIC 0.1MF F
C109	1-107-820-11	s CAPACITOR,CHIP CERAMIC 0.1MF F
C111	1-107-820-11	s CAPACITOR,CHIP CERAMIC 0.1MF F
C112	1-107-820-11	s CAPACITOR,CHIP CERAMIC 0.1MF F
C113	1-107-820-11	s CAPACITOR,CHIP CERAMIC 0.1MF F
C114	1-164-937-11	s CAPACITOR,CHIP CERAMIC 1000PF
C115	1-109-982-11	s CAPACITOR,CHIP CERAMIC 1MF/10V
C116	1-107-820-11	s CAPACITOR,CHIP CERAMIC 0.1MF F
C117	1-137-987-81	s CAPACITOR,C.CERAMIC 0.068MF
C118	1-115-566-11	s CAPACITOR,CERAMIC 4.7MF B/6.3V
C119	1-115-566-11	s CAPACITOR,CERAMIC 4.7MF B/6.3V
C120	1-165-875-11	s CAPACITOR, CHIP CERAMIC 10MF B
C121	1-165-871-11	s CAPACITOR,ELECT 22MF
C122	1-107-820-11	s CAPACITOR,CHIP CERAMIC 0.1MF F
C123	1-165-875-11	s CAPACITOR, CHIP CERAMIC 10MF B
C124	1-107-820-11	s CAPACITOR,CHIP CERAMIC 0.1MF F
C125	1-164-947-11	s CAPACITOR CHIP CERAMIC 0.01MF
C126	1-164-882-11	s CAPACITOR,CERAMIC 220PF/16V CH
C127	1-164-874-11	s CAPACITOR,CHIP CERAMIC 100PF
C128	1-125-837-11	s CAPACITOR,CHIP CERAMIC1MF/6.3V
C129	1-165-871-21	s CAPACITOR,SOLID ELECT 22MF
C130	1-107-820-11	s CAPACITOR,CHIP CERAMIC 0.1MF F
C131	1-119-923-11	s CAPACITOR,CHIP CERAMIC 0.047MF
C132	1-119-923-11	s CAPACITOR,CHIP CERAMIC 0.047MF
C133	1-164-937-11	s CAPACITOR,CHIP CERAMIC 1000PF
C134	1-119-923-11	s CAPACITOR,CHIP CERAMIC 0.047MF
C135	1-107-820-11	s CAPACITOR,CHIP CERAMIC 0.1MF F
C136	1-131-998-11	s CAP, SOLID ELECT 82MF 6.3 V
C137	1-164-947-11	s CAPACITOR CHIP CERAMIC 0.01MF
C138	1-119-667-11	s CAPACITOR CERAMIC 22MF/10V(F)
C139	1-107-820-11	s CAPACITOR,CHIP CERAMIC 0.1MF F
C140	1-107-820-11	s CAPACITOR,CHIP CERAMIC 0.1MF F
C141	1-107-820-11	s CAPACITOR,CHIP CERAMIC 0.1MF F
C142	1-107-820-11	s CAPACITOR,CHIP CERAMIC 0.1MF F
C143	1-164-947-11	s CAPACITOR CHIP CERAMIC 0.01MF
C144	1-164-947-11	s CAPACITOR CHIP CERAMIC 0.01MF
C145	1-107-820-11	s CAPACITOR,CHIP CERAMIC 0.1MF F
C146	1-107-820-11	s CAPACITOR,CHIP CERAMIC 0.1MF F
C147	1-164-947-11	s CAPACITOR CHIP CERAMIC 0.01MF
C148	1-107-820-11	s CAPACITOR,CHIP CERAMIC 0.1MF F
C149	1-164-947-11	s CAPACITOR CHIP CERAMIC 0.01MF
C150	1-107-820-11	s CAPACITOR,CHIP CERAMIC 0.1MF F
C151	1-164-173-11	s CAPACITOR,CERAMIC 3900PF/50V B
C152	1-137-652-91	s CAPACITOR,CERAMIC 3900PF /16V
C153	1-107-820-11	s CAPACITOR,CHIP CERAMIC 0.1MF F
C154	1-107-820-11	s CAPACITOR,CHIP CERAMIC 0.1MF F

(C BOARD)(VPL-CX5)

Ref. No.

or Q'ty	Part No.	SP Description
	C155	1-164-947-11 s CAPACITOR CHIP CERAMIC 0.01MF
	C156	1-107-820-11 s CAPACITOR,CHIP CERAMIC 0.1MF F
	C157	1-107-820-11 s CAPACITOR,CHIP CERAMIC 0.1MF F
	C158	1-164-947-11 s CAPACITOR CHIP CERAMIC 0.01MF
	C159	1-164-947-11 s CAPACITOR CHIP CERAMIC 0.01MF
	C160	1-107-820-11 s CAPACITOR,CHIP CERAMIC 0.1MF F
	C161	1-164-505-11 s CAPACITOR,CHIP CERAMIC 2.2MF
	C162	1-107-820-11 s CAPACITOR,CHIP CERAMIC 0.1MF F
	C163	1-164-874-11 s CAPACITOR,CHIP CERAMIC 100PF
	C164	1-107-820-11 s CAPACITOR,CHIP CERAMIC 0.1MF F
	C165	1-107-820-11 s CAPACITOR,CHIP CERAMIC 0.1MF F
	C166	1-107-820-11 s CAPACITOR,CHIP CERAMIC 0.1MF F
	C200	1-164-854-11 s CAPACITOR CERAMIC 15PF/16V CH
	C201	1-164-854-11 s CAPACITOR CERAMIC 15PF/16V CH
	C206	1-127-772-11 s CAPACTOR C,CERAMIC 33000PF B
	C207	1-119-923-11 s CAPACITOR,CHIP CERAMIC 0.047MF
	C208	1-119-923-11 s CAPACITOR,CHIP CERAMIC 0.047MF
	C209	1-127-772-11 s CAPACTOR C,CERAMIC 33000PF B
	C210	1-119-923-11 s CAPACITOR,CHIP CERAMIC 0.047MF
	C211	1-127-772-11 s CAPACTOR C,CERAMIC 33000PF B
	C215	1-127-772-11 s CAPACTOR C,CERAMIC 33000PF B
	C216	1-127-772-11 s CAPACTOR C,CERAMIC 33000PF B
	C217	1-127-772-11 s CAPACTOR C,CERAMIC 33000PF B
	C218	1-127-772-11 s CAPACTOR C,CERAMIC 33000PF B
	C219	1-119-923-11 s CAPACITOR,CHIP CERAMIC 0.047MF
	C220	1-126-206-11 s CAPACITOR, ELECT 100MF/6.3V
	C221	1-165-871-11 s CAPACITOR,ELECT 22MF
	C222	1-107-820-11 s CAPACITOR,CHIP CERAMIC 0.1MF F
	C223	1-107-820-11 s CAPACITOR,CHIP CERAMIC 0.1MF F
	C224	1-107-820-11 s CAPACITOR,CHIP CERAMIC 0.1MF F
	C225	1-107-820-11 s CAPACITOR,CHIP CERAMIC 0.1MF F
	C226	1-164-943-11 s CAPACITOR,CHIP CERAMIC 0.01MF
	C227	1-164-943-11 s CAPACITOR,CHIP CERAMIC 0.01MF
	C228	1-164-943-11 s CAPACITOR,CHIP CERAMIC 0.01MF
	C229	1-164-943-11 s CAPACITOR,CHIP CERAMIC 0.01MF
	C230	1-107-820-11 s CAPACITOR,CHIP CERAMIC 0.1MF F
	C233	1-107-820-11 s CAPACITOR,CHIP CERAMIC 0.1MF F
	C234	1-165-871-11 s CAPACITOR,ELECT 22MF
	C245	1-107-820-11 s CAPACITOR,CHIP CERAMIC 0.1MF F
	C260	1-107-820-11 s CAPACITOR,CHIP CERAMIC 0.1MF F
	C261	1-107-820-11 s CAPACITOR,CHIP CERAMIC 0.1MF F
	C262	1-164-947-11 s CAPACITOR CHIP CERAMIC 0.01MF
	C263	1-119-667-11 s CAPACITOR CERAMIC 22MF/10V(F)
	C300	1-107-820-11 s CAPACITOR,CHIP CERAMIC 0.1MF F
	C301	1-119-667-11 s CAPACITOR CERAMIC 22MF/10V(F)
	C302	1-107-820-11 s CAPACITOR,CHIP CERAMIC 0.1MF F
	C303	1-107-820-11 s CAPACITOR,CHIP CERAMIC 0.1MF F
	C304	1-107-820-11 s CAPACITOR,CHIP CERAMIC 0.1MF F
	C305	1-107-820-11 s CAPACITOR,CHIP CERAMIC 0.1MF F
	C306	1-107-820-11 s CAPACITOR,CHIP CERAMIC 0.1MF F
	C307	1-107-820-11 s CAPACITOR,CHIP CERAMIC 0.1MF F
	C308	1-107-820-11 s CAPACITOR,CHIP CERAMIC 0.1MF F
	C309	1-107-820-11 s CAPACITOR,CHIP CERAMIC 0.1MF F
	C310	1-107-820-11 s CAPACITOR,CHIP CERAMIC 0.1MF F
	C311	1-107-820-11 s CAPACITOR,CHIP CERAMIC 0.1MF F
	C312	1-107-820-11 s CAPACITOR,CHIP CERAMIC 0.1MF F
	C314	1-107-820-11 s CAPACITOR,CHIP CERAMIC 0.1MF F
	C315	1-107-820-11 s CAPACITOR,CHIP CERAMIC 0.1MF F
	C316	1-164-852-11 s CAPACITOR,CHIP CERAMIC 12PF/16

(C BOARD)(VPL-CX5)

Ref. No. or Q'ty	Part No.	SP	Description
C317	1-107-820-11	s	CAPACITOR,CHIP CERAMIC 0.1MF F
C318	1-107-820-11	s	CAPACITOR,CHIP CERAMIC 0.1MF F
C319	1-164-852-11	s	CAPACITOR,CHIP CERAMIC 12PF/16
C320	1-107-820-11	s	CAPACITOR,CHIP CERAMIC 0.1MF F
C321	1-164-947-11	s	CAPACITOR CHIP CERAMIC 0.01MF
C322	1-107-820-11	s	CAPACITOR,CHIP CERAMIC 0.1MF F
C323	1-107-820-11	s	CAPACITOR,CHIP CERAMIC 0.1MF F
C324	1-107-820-11	s	CAPACITOR,CHIP CERAMIC 0.1MF F
C325	1-107-820-11	s	CAPACITOR,CHIP CERAMIC 0.1MF F
C328	1-164-947-11	s	CAPACITOR CHIP CERAMIC 0.01MF
C329	1-107-820-11	s	CAPACITOR,CHIP CERAMIC 0.1MF F
C330	1-119-667-11	s	CAPACITOR CERAMIC 22MF/10V(F)
C331	1-107-820-11	s	CAPACITOR,CHIP CERAMIC 0.1MF F
C332	1-107-820-11	s	CAPACITOR,CHIP CERAMIC 0.1MF F
C333	1-107-820-11	s	CAPACITOR,CHIP CERAMIC 0.1MF F
C334	1-107-820-11	s	CAPACITOR,CHIP CERAMIC 0.1MF F
C335	1-107-820-11	s	CAPACITOR,CHIP CERAMIC 0.1MF F
C336	1-107-820-11	s	CAPACITOR,CHIP CERAMIC 0.1MF F
C337	1-107-820-11	s	CAPACITOR,CHIP CERAMIC 0.1MF F
C338	1-107-820-11	s	CAPACITOR,CHIP CERAMIC 0.1MF F
C339	1-107-820-11	s	CAPACITOR,CHIP CERAMIC 0.1MF F
C340	1-107-820-11	s	CAPACITOR,CHIP CERAMIC 0.1MF F
C341	1-107-820-11	s	CAPACITOR,CHIP CERAMIC 0.1MF F
C342	1-107-820-11	s	CAPACITOR,CHIP CERAMIC 0.1MF F
C401	1-107-820-11	s	CAPACITOR,CHIP CERAMIC 0.1MF F
C402	1-107-820-11	s	CAPACITOR,CHIP CERAMIC 0.1MF F
C403	1-164-874-11	s	CAPACITOR,CHIP CERAMIC 100PF
C404	1-107-820-11	s	CAPACITOR,CHIP CERAMIC 0.1MF F
C406	1-107-820-11	s	CAPACITOR,CHIP CERAMIC 0.1MF F
C407	1-107-820-11	s	CAPACITOR,CHIP CERAMIC 0.1MF F
C408	1-107-820-11	s	CAPACITOR,CHIP CERAMIC 0.1MF F
C409	1-107-820-11	s	CAPACITOR,CHIP CERAMIC 0.1MF F
C410	1-107-820-11	s	CAPACITOR,CHIP CERAMIC 0.1MF F
C411	1-107-820-11	s	CAPACITOR,CHIP CERAMIC 0.1MF F
C412	1-107-820-11	s	CAPACITOR,CHIP CERAMIC 0.1MF F
C413	1-107-820-11	s	CAPACITOR,CHIP CERAMIC 0.1MF F
C414	1-107-820-11	s	CAPACITOR,CHIP CERAMIC 0.1MF F
C415	1-126-205-11	s	CAPACITOR,ELECT 47M/6.3
C416	1-164-947-11	s	CAPACITOR CHIP CERAMIC 0.01MF
C450	1-107-820-11	s	CAPACITOR,CHIP CERAMIC 0.1MF F
C451	1-107-820-11	s	CAPACITOR,CHIP CERAMIC 0.1MF F
C452	1-107-820-11	s	CAPACITOR,CHIP CERAMIC 0.1MF F
C471	1-107-820-11	s	CAPACITOR,CHIP CERAMIC 0.1MF F
C472	1-126-205-11	s	CAPACITOR,ELECT 47M/6.3
C473	1-107-820-11	s	CAPACITOR,CHIP CERAMIC 0.1MF F
C474	1-164-935-11	s	CAPACITOR,CHIP CERAMIC 470PF
C475	1-164-935-11	s	CAPACITOR,CHIP CERAMIC 470PF
C501	1-107-820-11	s	CAPACITOR,CHIP CERAMIC 0.1MF F
C502	1-127-715-11	s	CAPACITOR,CERAMIC 0.22MF B1608
C503	1-107-820-11	s	CAPACITOR,CHIP CERAMIC 0.1MF F
C504	1-126-206-11	s	CAPACITOR, ELECT 100MF/6.3V
C505	1-127-715-11	s	CAPACITOR,CERAMIC 0.22MF B1608
C506	1-127-715-11	s	CAPACITOR,CERAMIC 0.22MF B1608
C507	1-127-715-11	s	CAPACITOR,CERAMIC 0.22MF B1608
C508	1-127-715-11	s	CAPACITOR,CERAMIC 0.22MF B1608
C509	1-127-715-11	s	CAPACITOR,CERAMIC 0.22MF B1608
C510	1-127-715-11	s	CAPACITOR,CERAMIC 0.22MF B1608
C511	1-127-715-11	s	CAPACITOR,CERAMIC 0.22MF B1608
C512	1-164-156-11	s	CAPACITOR,CERAMIC 0.1MF/25V F

(C BOARD)(VPL-CX5)

Ref. No. or Q'ty	Part No.	SP	Description
C513	1-128-992-11	s	CAPACITOR ELECT 47MF 25V
C514	1-128-992-11	s	CAPACITOR ELECT 47MF 25V
C515	1-164-156-11	s	CAPACITOR,CERAMIC 0.1MF/25V F
C516	1-164-156-11	s	CAPACITOR,CERAMIC 0.1MF/25V F
C517	1-164-156-11	s	CAPACITOR,CERAMIC 0.1MF/25V F
C518	1-164-156-11	s	CAPACITOR,CERAMIC 0.1MF/25V F
C519	1-164-156-11	s	CAPACITOR,CERAMIC 0.1MF/25V F
C520	1-117-681-11	s	CAPACITOR, ELECT 100MF/16V
C521	1-164-156-11	s	CAPACITOR,CERAMIC 0.1MF/25V F
C550	1-164-947-11	s	CAPACITOR CHIP CERAMIC 0.01MF
C552	1-115-340-11	s	CAPACITOR CERAMIC 0.22MF/25V B
C553	1-164-156-11	s	CAPACITOR,CERAMIC 0.1MF/25V F
C554	1-164-156-11	s	CAPACITOR,CERAMIC 0.1MF/25V F
C555	1-128-992-11	s	CAPACITOR ELECT 47MF 25V
C601	1-107-820-11	s	CAPACITOR,CHIP CERAMIC 0.1MF F
C602	1-127-715-11	s	CAPACITOR,CERAMIC 0.22MF B1608
C603	1-107-820-11	s	CAPACITOR,CHIP CERAMIC 0.1MF F
C604	1-126-206-11	s	CAPACITOR, ELECT 100MF/6.3V
C605	1-127-715-11	s	CAPACITOR,CERAMIC 0.22MF B1608
C606	1-127-715-11	s	CAPACITOR,CERAMIC 0.22MF B1608
C607	1-127-715-11	s	CAPACITOR,CERAMIC 0.22MF B1608
C608	1-127-715-11	s	CAPACITOR,CERAMIC 0.22MF B1608
C609	1-127-715-11	s	CAPACITOR,CERAMIC 0.22MF B1608
C610	1-127-715-11	s	CAPACITOR,CERAMIC 0.22MF B1608
C611	1-127-715-11	s	CAPACITOR,CERAMIC 0.22MF B1608
C612	1-164-156-11	s	CAPACITOR,CERAMIC 0.1MF/25V F
C613	1-128-992-11	s	CAPACITOR ELECT 47MF 25V
C614	1-128-992-11	s	CAPACITOR ELECT 47MF 25V
C615	1-164-156-11	s	CAPACITOR,CERAMIC 0.1MF/25V F
C616	1-164-156-11	s	CAPACITOR,CERAMIC 0.1MF/25V F
C617	1-164-156-11	s	CAPACITOR,CERAMIC 0.1MF/25V F
C618	1-164-156-11	s	CAPACITOR,CERAMIC 0.1MF/25V F
C619	1-164-156-11	s	CAPACITOR,CERAMIC 0.1MF/25V F
C620	1-117-681-11	s	CAPACITOR, ELECT 100MF/16V
C621	1-164-156-11	s	CAPACITOR,CERAMIC 0.1MF/25V F
C701	1-107-820-11	s	CAPACITOR,CHIP CERAMIC 0.1MF F
C702	1-127-715-11	s	CAPACITOR,CERAMIC 0.22MF B1608
C703	1-107-820-11	s	CAPACITOR,CHIP CERAMIC 0.1MF F
C704	1-126-206-11	s	CAPACITOR, ELECT 100MF/6.3V
C705	1-127-715-11	s	CAPACITOR,CERAMIC 0.22MF B1608
C706	1-127-715-11	s	CAPACITOR,CERAMIC 0.22MF B1608
C707	1-127-715-11	s	CAPACITOR,CERAMIC 0.22MF B1608
C708	1-127-715-11	s	CAPACITOR,CERAMIC 0.22MF B1608
C709	1-127-715-11	s	CAPACITOR,CERAMIC 0.22MF B1608
C710	1-127-715-11	s	CAPACITOR,CERAMIC 0.22MF B1608
C711	1-127-715-11	s	CAPACITOR,CERAMIC 0.22MF B1608
C712	1-164-156-11	s	CAPACITOR,CERAMIC 0.1MF/25V F
C713	1-128-992-11	s	CAPACITOR ELECT 47MF 25V
C714	1-128-992-11	s	CAPACITOR ELECT 47MF 25V
C715	1-164-156-11	s	CAPACITOR,CERAMIC 0.1MF/25V F
C716	1-164-156-11	s	CAPACITOR,CERAMIC 0.1MF/25V F
C717	1-164-156-11	s	CAPACITOR,CERAMIC 0.1MF/25V F
C718	1-164-156-11	s	CAPACITOR,CERAMIC 0.1MF/25V F
C719	1-164-156-11	s	CAPACITOR,CERAMIC 0.1MF/25V F
C720	1-117-681-11	s	CAPACITOR, ELECT 100MF/16V
C721	1-164-156-11	s	CAPACITOR,CERAMIC 0.1MF/25V F
C800	1-124-778-00	s	CAPACITOR,ELECT 22MF/6.3V
C801	1-164-947-11	s	CAPACITOR CHIP CERAMIC 0.01MF
C802	1-165-871-11	s	CAPACITOR,ELECT 22MF

(C BOARD)(VPL-CX5)

Ref. No. or Q'ty	Part No.	SP	Description
C803	1-115-566-11	s	CAPACITOR,CERAMIC 4.7MF B/6.3V
C804	1-107-820-11	s	CAPACITOR,CHIP CERAMIC 0.1MF F
C805	1-164-947-11	s	CAPACITOR,CHIP CERAMIC 0.01MF
C806	1-107-820-11	s	CAPACITOR,CHIP CERAMIC 0.1MF F
C807	1-164-852-11	s	CAPACITOR,CHIP CERAMIC 12PF/16
C808	1-107-820-11	s	CAPACITOR,CHIP CERAMIC 0.1MF F
C809	1-164-852-11	s	CAPACITOR,CHIP CERAMIC 12PF/16
C810	1-164-947-11	s	CAPACITOR,CHIP CERAMIC 0.01MF
C811	1-107-820-11	s	CAPACITOR,CHIP CERAMIC 0.1MF F
C812	1-107-820-11	s	CAPACITOR,CHIP CERAMIC 0.1MF F
C813	1-107-820-11	s	CAPACITOR,CHIP CERAMIC 0.1MF F
C814	1-115-156-11	s	CAPACITOR,CERAMIC 1MF/10V(1608
C815	1-107-820-11	s	CAPACITOR,CHIP CERAMIC 0.1MF F
C816	1-107-820-11	s	CAPACITOR,CHIP CERAMIC 0.1MF F
C817	1-124-778-00	s	CAPACITOR,ELECT 22MF/6.3V
C818	1-164-940-11	s	CAPACITOR,CHIP CERAMIC 3300/16
C819	1-107-820-11	s	CAPACITOR,CHIP CERAMIC 0.1MF F
C820	1-107-820-11	s	CAPACITOR,CHIP CERAMIC 0.1MF F
C821	1-107-820-11	s	CAPACITOR,CHIP CERAMIC 0.1MF F
C822	1-164-940-11	s	CAPACITOR,CHIP CERAMIC 3300/16
C903	1-107-820-11	s	CAPACITOR,CHIP CERAMIC 0.1MF F
C904	1-164-874-11	s	CAPACITOR,CHIP CERAMIC 100PF
C905	1-164-874-11	s	CAPACITOR,CHIP CERAMIC 100PF
C906	1-107-820-11	s	CAPACITOR,CHIP CERAMIC 0.1MF F
C908	1-115-156-11	s	CAPACITOR,CERAMIC 1MF/10V(1608
C910	1-164-156-11	s	CAPACITOR,CERAMIC 0.1MF/25V F
C911	1-126-397-11	s	CAPACITOR ELECT 33MF/25V(CHIP)
C913	1-164-156-11	s	CAPACITOR,CERAMIC 0.1MF/25V F
C914	1-164-947-11	s	CAPACITOR,CHIP CERAMIC 0.01MF
C915	1-164-156-11	s	CAPACITOR,CERAMIC 0.1MF/25V F
C916	1-126-397-11	s	CAPACITOR ELECT 33MF/25V(CHIP)
C917	1-107-820-11	s	CAPACITOR,CHIP CERAMIC 0.1MF F
C918	1-126-205-11	s	CAPACITOR,ELECT 47M/6.3
C919	1-107-820-11	s	CAPACITOR,CHIP CERAMIC 0.1MF F
C920	1-131-998-21	s	CAPACITOR,SOLID ELECT 82MF
C1026	1-109-982-11	s	CAPACITOR,CHIP CERAMIC 1MF/10V
C1101	1-125-777-11	s	CAPACITOR CERAMIC 0.1MF/10V
C1102	1-125-891-11	s	CAPACITOR CERAMIC 0.47MF/10V
C1103	1-125-891-11	s	CAPACITOR CERAMIC 0.47MF/10V
C1104	1-126-204-11	s	CAPACITOR, ELECT 47MF/16V(CHIP)
C1105	1-126-205-11	s	CAPACITOR,ELECT 47M/6.3
C1106	1-164-156-11	s	CAPACITOR,CERAMIC 0.1MF/25V F
C1107	1-125-777-11	s	CAPACITOR CERAMIC 0.1MF/10V
C1108	1-125-777-11	s	CAPACITOR CERAMIC 0.1MF/10V
C1109	1-126-204-11	s	CAPACITOR, ELECT 47MF/16V(CHIP)
C1110	1-164-156-11	s	CAPACITOR,CERAMIC 0.1MF/25V F
C1111	1-125-777-11	s	CAPACITOR CERAMIC 0.1MF/10V
C1112	1-125-777-11	s	CAPACITOR CERAMIC 0.1MF/10V
C1113	1-126-204-11	s	CAPACITOR, ELECT 47MF/16V(CHIP)
C1114	1-125-777-11	s	CAPACITOR CERAMIC 0.1MF/10V
C1115	1-126-204-11	s	CAPACITOR, ELECT 47MF/16V(CHIP)
C1116	1-164-156-11	s	CAPACITOR,CERAMIC 0.1MF/25V F
C1117	1-125-777-11	s	CAPACITOR CERAMIC 0.1MF/10V
C1118	1-125-777-11	s	CAPACITOR CERAMIC 0.1MF/10V
C1119	1-125-777-11	s	CAPACITOR CERAMIC 0.1MF/10V
C1120	1-117-370-11	s	CAPASITER CERAMIC 10MF (3216)
C1124	1-115-156-11	s	CAPACITOR,CERAMIC 1MF/10V(1608
C1125	1-107-682-11	s	CAPACITOR,CHIP 1MF/16V (3216)
C1126	1-164-882-11	s	CAPACITOR,CERAMIC 220PF/16V CH

(C BOARD)(VPL-CX5)

Ref. No. or Q'ty	Part No.	SP	Description
C1127	1-115-156-11	s	CAPACITOR,CERAMIC 1MF/10V(1608
C1128	1-115-156-11	s	CAPACITOR,CERAMIC 1MF/10V(1608
C1137	1-117-681-11	s	CAPACITOR, ELECT 100MF/16V
C1138	1-125-777-11	s	CAPACITOR CERAMIC 0.1MF/10V
C1140	1-107-820-11	s	CAPACITOR,CHIP CERAMIC 0.1MF F
C1143	1-107-820-11	s	CAPACITOR,CHIP CERAMIC 0.1MF F
C1144	1-125-777-11	s	CAPACITOR CERAMIC 0.1MF/10V
C1145	1-125-777-11	s	CAPACITOR CERAMIC 0.1MF/10V
C1146	1-125-777-11	s	CAPACITOR CERAMIC 0.1MF/10V
CN100	1-784-828-11	s	CONNECTOR, D SUB
CN201	1-770-629-21	s	PIN, CONNECTOR 12P
CN202	1-785-613-11	o	CONNECTOR, FFC/FPC 50P
CN401	1-770-621-21	s	PIN, CONNECTOR 4P
CN501	1-794-823-11	s	CONNECTOR (ZIF), FPC/FFC 32P
CN601	1-794-823-11	s	CONNECTOR (ZIF), FPC/FFC 32P
CN701	1-794-823-11	s	CONNECTOR (ZIF), FPC/FFC 32P
CN800	1-770-629-21	s	PIN, CONNECTOR 12P
CN901	1-770-621-21	s	PIN, CONNECTOR 4P
CN903	1-691-491-21	s	CONNECTOR, FFC/FPC 12P
CN904	1-764-829-11	o	CONNECTOR, FPC 24P
CN906	1-580-055-21	o	PIN, CONNECTOR 2P
CN907	1-770-624-21	s	PIN, CONNECTOR 7P
CN908	1-580-056-21	o	PIN,CONNECTOR 3P
CN909	1-580-056-21	o	PIN,CONNECTOR 3P
CN910	1-580-056-21	o	PIN,CONNECTOR 3P
CN911	1-580-056-21	o	PIN,CONNECTOR 3P
CN912	1-580-056-21	o	PIN,CONNECTOR 3P
CN913	1-778-336-21	s	PIN, CONNECTOR (PC BOARD) 14P
CN914	1-770-622-21	s	PIN, CONNECTOR 5P
CN915	1-770-623-21	s	PIN, CONNECTOR 6P
CN1101	1-569-775-21	o	PIN, CONNECTOR 5P
CN1102	1-580-055-21	o	PIN, CONNECTOR 2P
D100	8-719-073-11	s	DIODE BZA456A
D101	8-719-024-77	s	DIODE HN1D03FU-TE85L
D102	8-719-059-53	s	DIODE MA3J14700LSO
D103	8-719-059-53	s	DIODE MA3J14700LSO
D104	8-719-059-53	s	DIODE MA3J14700LSO
D105	8-719-988-61	s	DIODE 1SS355TE-17
D106	8-719-988-61	s	DIODE 1SS355TE-17
D200	8-719-059-53	s	DIODE MA3J14700LSO
D201	8-719-059-53	s	DIODE MA3J14700LSO
D202	8-719-059-53	s	DIODE MA3J14700LSO
D300	8-719-941-86	s	DIODE DAN202U
D800	8-719-024-77	s	DIODE HN1D03FU-TE85L
D901	8-719-941-86	s	DIODE DAN202U
D902	8-719-941-86	s	DIODE DAN202U
D903	8-719-941-86	s	DIODE DAN202U
D904	8-719-073-11	s	DIODE BZA456A
D905	8-719-083-58	s	DIODE UDZSTE-173.9B
D1008	8-719-083-58	s	DIODE UDZSTE-173.9B
D1009	8-719-083-58	s	DIODE UDZSTE-173.9B
FB100	1-414-921-11	s	INDUCTOR, FERRITE BEAD
FB101	1-414-921-11	s	INDUCTOR, FERRITE BEAD
FB102	1-414-921-11	s	INDUCTOR, FERRITE BEAD
FB200	1-414-921-11	s	INDUCTOR, FERRITE BEAD
FB201	1-414-921-11	s	INDUCTOR, FERRITE BEAD
FB300	1-500-451-11	s	MICRO INDUCTOR (CHIP) 41P750S
FB301	1-500-451-11	s	MICRO INDUCTOR (CHIP) 41P750S

(C BOARD)(VPL-CX5)

Ref. No. or Q'ty	Part No.	SP	Description
FB302	1-414-921-11	s	INDUCTOR, FERRITE BEAD
FB303	1-414-921-11	s	INDUCTOR, FERRITE BEAD
FB401	1-414-921-11	s	INDUCTOR, FERRITE BEAD
FB402	1-414-921-11	s	INDUCTOR, FERRITE BEAD
FB403	1-414-921-11	s	INDUCTOR, FERRITE BEAD
FB404	1-414-921-11	s	INDUCTOR, FERRITE BEAD
FB405	1-414-921-11	s	INDUCTOR, FERRITE BEAD
FB450	1-414-921-11	s	INDUCTOR, FERRITE BEAD
FB451	1-414-921-11	s	INDUCTOR, FERRITE BEAD
FB452	1-414-921-11	s	INDUCTOR, FERRITE BEAD
FB471	1-414-921-11	s	INDUCTOR, FERRITE BEAD
FB502	1-414-921-11	s	INDUCTOR, FERRITE BEAD
FB503	1-414-921-11	s	INDUCTOR, FERRITE BEAD
FB550	1-414-921-11	s	INDUCTOR, FERRITE BEAD
FB552	1-500-451-11	s	MICRO INDUCTOR (CHIP) 41P750S
FB602	1-414-921-11	s	INDUCTOR, FERRITE BEAD
FB603	1-414-921-11	s	INDUCTOR, FERRITE BEAD
FB702	1-414-921-11	s	INDUCTOR, FERRITE BEAD
FB703	1-414-921-11	s	INDUCTOR, FERRITE BEAD
FB800	1-414-921-11	s	INDUCTOR, FERRITE BEAD
FB801	1-414-921-11	s	INDUCTOR, FERRITE BEAD
FB901	1-414-921-11	s	INDUCTOR, FERRITE BEAD
FB902	1-414-921-11	s	INDUCTOR, FERRITE BEAD
FB903	1-414-921-11	s	INDUCTOR, FERRITE BEAD
FB904	1-414-921-11	s	INDUCTOR, FERRITE BEAD
FB905	1-414-921-11	s	INDUCTOR, FERRITE BEAD
FB906	1-414-921-11	s	INDUCTOR, FERRITE BEAD
FB907	1-414-921-11	s	INDUCTOR, FERRITE BEAD
FB908	1-414-921-11	s	INDUCTOR, FERRITE BEAD
FB909	1-239-899-21	s	FILTER, CHIP EMI
FB910	1-239-899-21	s	FILTER, CHIP EMI
FB911	1-239-899-21	s	FILTER, CHIP EMI
FB912	1-239-899-21	s	FILTER, CHIP EMI
FB913	1-239-899-21	s	FILTER, CHIP EMI
FB914	1-239-899-21	s	FILTER, CHIP EMI
FB915	1-414-921-11	s	INDUCTOR, FERRITE BEAD
FB916	1-414-921-11	s	INDUCTOR, FERRITE BEAD
FB917	1-414-921-11	s	INDUCTOR, FERRITE BEAD
FB918	1-414-921-11	s	INDUCTOR, FERRITE BEAD
FB920	1-414-921-11	s	INDUCTOR, FERRITE BEAD
FB921	1-414-921-11	s	INDUCTOR, FERRITE BEAD
FB922	1-414-921-11	s	INDUCTOR, FERRITE BEAD
FB923	1-414-921-11	s	INDUCTOR, FERRITE BEAD
FB924	1-414-921-11	s	INDUCTOR, FERRITE BEAD
FB925	1-469-670-11	o	FERRITE, EMI (SMD)
FB926	1-414-921-11	s	INDUCTOR, FERRITE BEAD
FB927	1-414-921-11	s	INDUCTOR, FERRITE BEAD
FB928	1-414-921-11	s	INDUCTOR, FERRITE BEAD
FB929	1-414-921-11	s	INDUCTOR, FERRITE BEAD
FB930	1-239-899-21	s	FILTER, CHIP EMI
FB931	1-414-921-11	s	INDUCTOR, FERRITE BEAD
FB932	1-469-407-21	s	BEAD, FERRITE 0.5A100
FB933	1-414-921-11	s	INDUCTOR, FERRITE BEAD
FB934	1-469-407-21	s	BEAD, FERRITE 0.5A100
FB935	1-414-921-11	s	INDUCTOR, FERRITE BEAD
FB936	1-469-407-21	s	BEAD, FERRITE 0.5A100
FB937	1-414-921-11	s	INDUCTOR, FERRITE BEAD
FB938	1-469-407-21	s	BEAD, FERRITE 0.5A100
FB939	1-414-921-11	s	INDUCTOR, FERRITE BEAD

(C BOARD)(VPL-CX5)

Ref. No. or Q'ty	Part No.	SP	Description
FB940	1-469-407-21	s	BEAD, FERRITE 0.5A100
FB941	1-414-921-11	s	INDUCTOR, FERRITE BEAD
FB942	1-414-921-11	s	INDUCTOR, FERRITE BEAD
FB943	1-414-921-11	s	INDUCTOR, FERRITE BEAD
FB944	1-414-921-11	s	INDUCTOR, FERRITE BEAD
FB945	1-414-921-11	s	INDUCTOR, FERRITE BEAD
FB946	1-414-921-11	s	INDUCTOR, FERRITE BEAD
FB947	1-414-921-11	s	INDUCTOR, FERRITE BEAD
FB948	1-469-670-11	o	FERRITE, EMI (SMD)
FB1003	1-469-185-11	s	INDUCTOR, FERRITE BEAD
FB1005	1-469-185-11	s	INDUCTOR, FERRITE BEAD
FB1006	1-414-234-11	s	INDUCTOR, FERRITE BEAD
FB1007	1-414-234-11	s	INDUCTOR, FERRITE BEAD
FB1102	1-500-451-11	s	MICRO INDUCTOR (CHIP) 41P750S
FB1103	1-500-451-11	s	MICRO INDUCTOR (CHIP) 41P750S
FB1104	1-500-451-11	s	MICRO INDUCTOR (CHIP) 41P750S
FB1106	1-414-921-11	s	INDUCTOR, FERRITE BEAD
FB1107	1-414-921-11	s	INDUCTOR, FERRITE BEAD
IC100	8-759-661-55	s	IC ST24FC21M6TR
IC101	8-759-533-85	s	IC L88M05T-FA-TL
IC102	8-759-646-02	s	IC M52347FP-TE
IC103	8-759-460-72	s	IC BA033FP
IC104	8-759-659-65	s	IC LP2985IM5X-3.3
IC105	6-702-807-01	s	IC AD9883AKST-140
IC202	8-759-460-72	s	IC BA033FP
IC204	8-759-549-14	s	IC SN74LV244APWR
IC205	8-759-549-07	s	IC SN74LV157APWR
IC206	8-759-659-65	s	IC LP2985IM5X-3.3
IC301	8-759-582-37	s	IC PQ2TZ15U
IC302	8-759-649-43	s	IC SN74AHC1G00DCKR
IC303	8-759-593-23	s	IC S-80928ANMP-DDR-T2
IC304	8-759-548-96	s	IC SN74LV02APWR
IC305	6-702-596-01	s	IC ICS332-SX1735
IC306	8-759-549-01	s	IC SN74LV125APWR
IC307	6-802-339-01	s	IC MBM29LV800TA-70PFTN-1734-2
IC401	8-759-669-41	s	IC SN74LVC125APWR-12
IC403	8-759-447-77	s	IC TC7WH74FU (TE12R)
IC404	8-759-548-99	s	IC SN74LV08APWR
IC405	8-759-593-23	s	IC S-80928ANMP-DDR-T2
IC406 *1			IC M24C64-WMN6T(B)
IC450	8-759-679-58	s	IC SN74AHC541PWR
IC451	8-759-679-58	s	IC SN74AHC541PWR
IC452	8-759-649-32	s	IC SN74AHC1G04DCKR
IC471	8-759-542-46	s	IC M62392FP
IC501	8-752-103-41	s	IC CXA3562AR-T6
IC550	8-759-252-41	s	IC TK11900MTL
IC551	8-759-388-31	s	IC PQ20VZ1U
IC601	8-752-103-41	s	IC CXA3562AR-T6
IC701	8-752-103-41	s	IC CXA3562AR-T6
IC800	8-759-652-56	s	IC BA033F-E2
IC801	6-702-624-01	s	IC HD64F2377VFQ33V
IC802	8-759-593-23	s	IC S-80928ANMP-DDR-T2
IC803	6-702-688-01	s	IC M24C64-WMN6T(B)
IC804	8-759-592-49	s	IC TC7SZ125FU (TE85R)
IC805	8-759-533-85	s	IC L88M05T-FA-TL
IC903	8-759-681-47	s	IC IRMF-A0T-QTP
IC905	8-759-388-31	s	IC PQ20VZ1U
IC906	8-759-388-31	s	IC PQ20VZ1U

(C BOARD)(VPL-CX5)

Ref. No. or Q'ty	Part No.	SP	Description
IC907	8-759-533-85	s	IC L88M05T-FA-TL
IC1101	8-759-714-09	s	IC ADXL202JE-REEL
IC1102	8-759-548-96	s	IC SN74LV02APWR
IC1103	8-759-352-94	s	IC TDA7309D013TR
IC1104	8-759-460-79	s	IC BA09FP-E2
IC1105	8-759-580-33	s	IC BA6288FS-E2
IC1106	6-702-697-01	s	IC TPA2001D1PW
IC1108	8-759-575-16	s	IC LMC7101BIM5X
IC1109	8-759-533-85	s	IC L88M05T-FA-TL
J1001	1-779-677-11	s	CONNECTOR, USB (B)
L100	1-469-523-91	s	INDUCTOR 2.2UH (NLFV25)
L101	1-469-523-91	s	INDUCTOR 2.2UH (NLFV25)
L201	1-469-523-91	s	INDUCTOR 2.2UH (NLFV25)
L202	1-469-526-11	s	INDUCTOR 2.2UH (NLFV25)
L300	1-469-523-91	s	INDUCTOR 2.2UH
L471	1-469-523-91	s	INDUCTOR 2.2UH (NLFV25)
L501	1-410-369-11	s	INDUCTOR,CHIP 1UH (3225)
L502	1-410-369-11	s	INDUCTOR,CHIP 1UH (3225)
L503	1-414-078-11	s	INDUCTOR 10UH
L601	1-410-369-11	s	INDUCTOR,CHIP 1UH (3225)
L602	1-410-369-11	s	INDUCTOR,CHIP 1UH (3225)
L603	1-414-078-11	s	INDUCTOR 10UH
L701	1-410-369-11	s	INDUCTOR,CHIP 1UH (3225)
L702	1-410-369-11	s	INDUCTOR,CHIP 1UH (3225)
L703	1-414-078-11	s	INDUCTOR 10UH
L1101	1-412-028-11	s	INDUCTOR,CHIP 4.7UH (3225)
Q100	8-729-026-53	s	TRANSISTOR 2SA1576A-T106-QR
Q101	8-729-905-35	s	TRANSISTOR 2SC4081-R
Q102	8-729-013-28	s	TRANSISTOR HN1B01FU-TE85R
Q103	8-729-013-28	s	TRANSISTOR HN1B01FU-TE85R
Q104	8-729-427-72	s	TRANSISTOR XP4501-TXE
Q105	8-729-427-72	s	TRANSISTOR XP4501-TXE
Q402	8-729-013-28	s	TRANSISTOR HN1B01FU-TE85R
Q450	8-729-907-00	s	TRANSISTOR DTC114EU
Q471	8-729-013-26	s	TRANSISTOR HN1C03FU-TE85R
Q501	8-729-013-28	s	TRANSISTOR HN1B01FU-TE85R
Q502	8-729-013-28	s	TRANSISTOR HN1B01FU-TE85R
Q601	8-729-013-28	s	TRANSISTOR HN1B01FU-TE85R
Q602	8-729-013-28	s	TRANSISTOR HN1B01FU-TE85R
Q701	8-729-013-28	s	TRANSISTOR HN1B01FU-TE85R
Q702	8-729-013-28	s	TRANSISTOR HN1B01FU-TE85R
Q800	8-729-013-26	s	TRANSISTOR HN1C03FU-TE85R
Q801	8-729-013-28	s	TRANSISTOR HN1B01FU-TE85R
Q901	8-729-427-72	s	TRANSISTOR XP4501-TXE
Q902	8-729-427-72	s	TRANSISTOR XP4501-TXE
Q903	8-729-026-53	s	TRANSISTOR 2SA1576A-T106-QR
Q904	8-729-905-35	s	TRANSISTOR 2SC4081-R
Q1104	8-729-029-14	s	TRANSISTOR DTC144EUA-T106
R100	1-218-990-11	s	RESISTOR,CHIP 0 1/16W (1005)
R101	1-218-990-11	s	RESISTOR,CHIP 0 1/16W (1005)
R102	1-218-990-11	s	RESISTOR,CHIP 0 1/16W (1005)
R103	1-211-975-11	s	RESISTOR,CHIP 18 1/10W (1608)
R104	1-211-975-11	s	RESISTOR,CHIP 18 1/10W (1608)
R105	1-211-975-11	s	RESISTOR,CHIP 18 1/10W (1608)
R106	1-218-990-11	s	RESISTOR,CHIP 0 1/16W (1005)
R107	1-211-987-11	s	RESISTOR,CHIP 56 1/10W (1608)
R108	1-211-987-11	s	RESISTOR,CHIP 56 1/10W (1608)

(C BOARD)(VPL-CX5)

Ref. No. or Q'ty	Part No.	SP	Description
R109	1-211-987-11	s	RESISTOR,CHIP 56 1/10W (1608)
R110	1-218-953-11	s	RESISTOR, CHIP 1K 1/16W
R111	1-218-953-11	s	RESISTOR, CHIP 1K 1/16W
R112	1-218-937-11	s	RESISTOR, CHIP 47
R113	1-218-937-11	s	RESISTOR, CHIP 47
R114	1-218-945-11	s	RESISTOR,CHIP 220 1/16W(1005)
R115	1-218-967-11	s	RESISTOR,CHIP 15K 1/16W (1608)
R116	1-218-949-11	s	RESISTOR,CHIP 470 1/16W
R117	1-218-967-11	s	RESISTOR,CHIP 15K 1/16W (1608)
R119	1-218-953-11	s	RESISTOR, CHIP 1K 1/16W
R120	1-218-953-11	s	RESISTOR, CHIP 1K 1/16W
R122	1-218-973-11	s	RESISTOR,CHIP 47K 1/16W (1005)
R123	1-218-949-11	s	RESISTOR,CHIP 470 1/16W
R124	1-218-953-11	s	RESISTOR, CHIP 1K 1/16W
R125	1-218-953-11	s	RESISTOR, CHIP 1K 1/16W
R128	1-218-937-11	s	RESISTOR, CHIP 47
R130	1-218-977-11	s	RESISTOR,CHIP 100K 1/16W(1005)
R131	1-218-937-11	s	RESISTOR, CHIP 47
R132	1-218-937-11	s	RESISTOR, CHIP 47
R133	1-218-937-11	s	RESISTOR, CHIP 47
R134	1-218-953-11	s	RESISTOR, CHIP 1K 1/16W
R135	1-218-937-11	s	RESISTOR, CHIP 47
R136	1-218-973-11	s	RESISTOR,CHIP 47K 1/16W (1005)
R137	1-218-965-11	s	RESISTOR, CHIP 10K 1/16W
R138	1-218-961-11	s	RESISTOR, CHIP 4.7K 1/16W
R141	1-218-973-11	s	RESISTOR,CHIP 47K 1/16W (1005)
R142	1-218-959-11	s	RESISTOR, CHIP 3.3K
R144	1-218-957-11	s	RESISTOR,CHIP 2.2K 1/16W(1608)
R145	1-218-937-11	s	RESISTOR, CHIP 47
R146	1-218-937-11	s	RESISTOR, CHIP 47
R147	1-218-937-11	s	RESISTOR, CHIP 47
R148	1-218-945-11	s	RESISTOR,CHIP 220 1/16W(1005)
R149	1-218-990-11	s	RESISTOR,CHIP 0 1/16W (1005)
R150	1-218-990-11	s	RESISTOR,CHIP 0 1/16W (1005)
R151	1-208-643-11	s	RESISTOR CHIP 22 1/16W (1005)
R152	1-208-643-11	s	RESISTOR CHIP 22 1/16W (1005)
R153	1-218-937-11	s	RESISTOR, CHIP 47
R155	1-218-937-11	s	RESISTOR, CHIP 47
R156	1-218-937-11	s	RESISTOR, CHIP 47
R157	1-218-937-11	s	RESISTOR, CHIP 47
R159	1-208-643-11	s	RESISTOR CHIP 22 1/16W (1005)
R160	1-218-937-11	s	RESISTOR, CHIP 47
R161	1-208-695-11	s	RESISTOR CHIP 3.3K 1/16W(1005)
R163	1-218-937-11	s	RESISTOR, CHIP 47
R164	1-218-969-11	s	RESISTOR,CHIP 22K 1/16W (1608)
R165	1-218-973-11	s	RESISTOR,CHIP 47K 1/16W (1005)
R166	1-218-969-11	s	RESISTOR,CHIP 22K 1/16W (1608)
R167	1-218-973-11	s	RESISTOR,CHIP 47K 1/16W (1005)
R168	1-218-969-11	s	RESISTOR,CHIP 22K 1/16W (1608)
R169	1-218-973-11	s	RESISTOR,CHIP 47K 1/16W (1005)
R170	1-218-989-11	s	RESISTOR,CHIP 1M 1/16W (1005)
R171	1-208-701-11	s	RESISTOR CHIP 5.6K 1/16W(1005)
R172	1-208-699-11	s	RESISTOR,CHIP 4.7K 1/16W(1005)
R173	1-218-937-11	s	RESISTOR, CHIP 47
R174	1-208-671-11	s	RESISTOR CHIP 330 1/16W (1005)
R175	1-218-953-11	s	RESISTOR, CHIP 1K 1/16W
R176	1-208-689-11	s	RESISTOR CHIP 1.8K 1/16W(1005)
R177	1-218-953-11	s	RESISTOR, CHIP 1K 1/16W
R178	1-208-693-11	s	RESISTOR CHIP 2.7K 1/16W(1005)

(C BOARD)(VPL-CX5)

Ref. No. or Q'ty	Part No.	SP	Description
R179	1-208-699-11	s	RESISTOR,CHIP 4.7K 1/16W(1005)
R180	1-218-957-11	s	RESISTOR,CHIP 2.2K 1/16W(1608)
R181	1-218-981-11	s	RESISTOR CHIP 220K 1/16W(1005)
R201	1-218-990-11	s	RESISTOR,CHIP 0 1/16W (1005)
R202	1-218-990-11	s	RESISTOR,CHIP 0 1/16W (1005)
R206	1-218-990-11	s	RESISTOR,CHIP 0 1/16W (1005)
R207	1-211-975-11	s	RESISTOR,CHIP 18 1/10W (1608)
R208	1-211-975-11	s	RESISTOR,CHIP 18 1/10W (1608)
R209	1-211-975-11	s	RESISTOR,CHIP 18 1/10W (1608)
R211	1-211-987-11	s	RESISTOR,CHIP 56 1/10W (1608)
R212	1-211-987-11	s	RESISTOR,CHIP 56 1/10W (1608)
R213	1-211-987-11	s	RESISTOR,CHIP 56 1/10W (1608)
R217	1-218-990-11	s	RESISTOR,CHIP 0 1/16W (1005)
R218	1-218-990-11	s	RESISTOR,CHIP 0 1/16W (1005)
R219	1-218-990-11	s	RESISTOR,CHIP 0 1/16W (1005)
R220	1-218-961-11	s	RESISTOR, CHIP 4.7K 1/16W
R221	1-218-990-11	s	RESISTOR,CHIP 0 1/16W (1005)
R222	1-218-937-11	s	RESISTOR, CHIP 47
R223	1-218-937-11	s	RESISTOR, CHIP 47
R224	1-218-937-11	s	RESISTOR, CHIP 47
R225	1-218-990-11	s	RESISTOR,CHIP 0 1/16W (1005)
R226	1-218-990-11	s	RESISTOR,CHIP 0 1/16W (1005)
R229	1-218-941-11	s	RESISTOR,CHIP 100 1/16W (1005)
R230	1-218-941-11	s	RESISTOR,CHIP 100 1/16W (1005)
R231	1-218-941-11	s	RESISTOR,CHIP 100 1/16W (1005)
R233	1-218-941-11	s	RESISTOR,CHIP 100 1/16W (1005)
R236	1-208-635-11	s	RESISTOR CHIP 10 1/16W (1005)
R238	1-218-941-11	s	RESISTOR,CHIP 100 1/16W (1005)
R249	1-218-941-11	s	RESISTOR,CHIP 100 1/16W (1005)
R251	1-218-941-11	s	RESISTOR,CHIP 100 1/16W (1005)
R252	1-218-937-11	s	RESISTOR, CHIP 47
R253	1-218-937-11	s	RESISTOR, CHIP 47
R254	1-218-937-11	s	RESISTOR, CHIP 47
R255	1-218-941-11	s	RESISTOR,CHIP 100 1/16W (1005)
R256	1-218-941-11	s	RESISTOR,CHIP 100 1/16W (1005)
R257	1-218-937-11	s	RESISTOR, CHIP 47
R262	1-218-990-11	s	RESISTOR,CHIP 0 1/16W (1005)
R267	1-208-635-11	s	RESISTOR CHIP 10 1/16W (1005)
R268	1-218-990-11	s	RESISTOR,CHIP 0 1/16W (1005)
R301	1-218-965-11	s	RESISTOR, CHIP 10K 1/16W
R302	1-218-965-11	s	RESISTOR, CHIP 10K 1/16W
R303	1-218-965-11	s	RESISTOR, CHIP 10K 1/16W
R304	1-218-965-11	s	RESISTOR, CHIP 10K 1/16W
R305	1-218-965-11	s	RESISTOR, CHIP 10K 1/16W
R306	1-218-943-11	s	RESISTOR CHIP 150 1/16W (1005)
R308	1-218-990-11	s	RESISTOR,CHIP 0 1/16W (1005)
R310	1-218-953-11	s	RESISTOR, CHIP 1K 1/16W
R312	1-218-941-11	s	RESISTOR,CHIP 100 1/16W (1005)
R313	1-218-937-11	s	RESISTOR CHIP 47 1/16W (1005)
R314	1-218-953-11	s	RESISTOR, CHIP 1K 1/16W
R315	1-218-959-11	s	RESISTOR, CHIP 3.3K
R316	1-218-959-11	s	RESISTOR, CHIP 3.3K
R317	1-218-941-11	s	RESISTOR,CHIP 100 1/16W (1005)
R318	1-218-961-11	s	RESISTOR, CHIP 4.7K 1/16W
R319	1-218-990-11	s	RESISTOR,CHIP 0 1/16W (1005)
R320	1-218-990-11	s	RESISTOR,CHIP 0 1/16W (1005)
R321	1-218-990-11	s	RESISTOR,CHIP 0 1/16W (1005)
R322	1-218-965-11	s	RESISTOR, CHIP 10K 1/16W
R325	1-218-957-11	s	RESISTOR,CHIP 2.2K 1/16W(1608)

(C BOARD)(VPL-CX5)

Ref. No. or Q'ty	Part No.	SP	Description
R326	1-208-643-11	s	RESISTOR CHIP 22 1/16W (1005)
R327	1-208-643-11	s	RESISTOR CHIP 22 1/16W (1005)
R328	1-208-643-11	s	RESISTOR CHIP 22 1/16W (1005)
R331	1-218-941-11	s	RESISTOR,CHIP 100 1/16W (1005)
R333	1-218-961-11	s	RESISTOR, CHIP 4.7K 1/16W
R401	1-218-965-11	s	RESISTOR, CHIP 10K 1/16W
R402	1-218-965-11	s	RESISTOR, CHIP 10K 1/16W
R403	1-218-941-11	s	RESISTOR,CHIP 100 1/16W (1005)
R404	1-218-941-11	s	RESISTOR,CHIP 100 1/16W (1005)
R405	1-218-941-11	s	RESISTOR,CHIP 100 1/16W (1005)
R406	1-218-941-11	s	RESISTOR,CHIP 100 1/16W (1005)
R407	1-218-941-11	s	RESISTOR,CHIP 100 1/16W (1005)
R408	1-218-941-11	s	RESISTOR,CHIP 100 1/16W (1005)
R409	1-218-937-11	s	RESISTOR, CHIP 47
R410	1-218-937-11	s	RESISTOR, CHIP 47
R416	1-218-937-11	s	RESISTOR, CHIP 47
R419	1-218-937-11	s	RESISTOR, CHIP 47
R420	1-218-937-11	s	RESISTOR, CHIP 47
R421	1-218-937-11	s	RESISTOR, CHIP 47
R422	1-218-937-11	s	RESISTOR, CHIP 47
R423	1-218-937-11	s	RESISTOR, CHIP 47
R424	1-218-937-11	s	RESISTOR, CHIP 47
R425	1-218-937-11	s	RESISTOR, CHIP 47
R426	1-218-965-11	s	RESISTOR, CHIP 10K 1/16W
R427	1-218-973-11	s	RESISTOR,CHIP 47K 1/16W (1005)
R428	1-218-953-11	s	RESISTOR, CHIP 1K 1/16W
R429	1-218-965-11	s	RESISTOR, CHIP 10K 1/16W
R430	1-218-960-11	s	RESISTOR, CHIP 3.9K 1/16W
R431	1-218-960-11	s	RESISTOR, CHIP 3.9K 1/16W
R450	1-218-957-11	s	RESISTOR,CHIP 2.2K 1/16W(1608)
R451	1-218-941-11	s	RESISTOR,CHIP 100 1/16W (1005)
R452	1-218-937-11	s	RESISTOR, CHIP 47
R471	1-218-941-11	s	RESISTOR,CHIP 100 1/16W (1005)
R472	1-218-941-11	s	RESISTOR,CHIP 100 1/16W (1005)
R473	1-218-941-11	s	RESISTOR,CHIP 100 1/16W (1005)
R474	1-218-941-11	s	RESISTOR,CHIP 100 1/16W (1005)
R475	1-218-961-11	s	RESISTOR, CHIP 4.7K 1/16W
R476	1-218-961-11	s	RESISTOR, CHIP 4.7K 1/16W
R477	1-218-973-11	s	RESISTOR,CHIP 47K 1/16W (1005)
R478	1-218-973-11	s	RESISTOR,CHIP 47K 1/16W (1005)
R501	1-218-965-11	s	RESISTOR, CHIP 10K 1/16W
R502	1-218-965-11	s	RESISTOR, CHIP 10K 1/16W
R505	1-218-965-11	s	RESISTOR, CHIP 10K 1/16W
R507	1-218-965-11	s	RESISTOR, CHIP 10K 1/16W
R508	1-218-965-11	s	RESISTOR, CHIP 10K 1/16W
R509	1-218-990-11	s	RESISTOR,CHIP 0 1/16W (1005)
R510	1-218-990-11	s	RESISTOR,CHIP 0 1/16W (1005)
R519	1-218-990-11	s	RESISTOR,CHIP 0 1/16W (1005)
R520	1-218-990-11	s	RESISTOR,CHIP 0 1/16W (1005)
R521	1-218-941-11	s	RESISTOR,CHIP 100 1/16W (1005)
R522	1-218-957-11	s	RESISTOR,CHIP 2.2K 1/16W(1608)
R523	1-218-957-11	s	RESISTOR,CHIP 2.2K 1/16W(1608)
R524	1-208-635-11	s	RESISTOR CHIP 10 1/16W (1005)
R525	1-208-635-11	s	RESISTOR CHIP 10 1/16W (1005)
R526	1-218-990-11	s	RESISTOR,CHIP 0 1/16W (1005)
R528	1-218-990-11	s	RESISTOR,CHIP 0 1/16W (1005)
R550	1-208-711-11	s	RESISTOR CHIP 15K 1/16W (1005)
R551	1-218-744-11	s	RESISTOR,CHIP 150K 1/16W
R552	1-218-965-11	s	RESISTOR, CHIP 10K 1/16W

(C BOARD)(VPL-CX5)

Ref. No. or Q'ty	Part No.	SP	Description
R553	1-218-961-11	s	RESISTOR, CHIP 4.7K 1/16W
R554	1-219-598-11	s	RESISTOR, CHIP 47K 1/16W(1005)
R555	1-208-711-11	s	RESISTOR CHIP 15K 1/16W (1005)
R556	1-208-683-11	s	RESISTOR CHIP 1K 1/16W (1005)
R601	1-218-965-11	s	RESISTOR, CHIP 10K 1/16W
R602	1-218-965-11	s	RESISTOR, CHIP 10K 1/16W
R605	1-218-965-11	s	RESISTOR, CHIP 10K 1/16W
R607	1-218-965-11	s	RESISTOR, CHIP 10K 1/16W
R608	1-218-965-11	s	RESISTOR, CHIP 10K 1/16W
R609	1-218-990-11	s	RESISTOR,CHIP 0 1/16W (1005)
R610	1-218-990-11	s	RESISTOR,CHIP 0 1/16W (1005)
R619	1-218-990-11	s	RESISTOR,CHIP 0 1/16W (1005)
R620	1-218-990-11	s	RESISTOR,CHIP 0 1/16W (1005)
R621	1-218-941-11	s	RESISTOR,CHIP 100 1/16W (1005)
R622	1-218-957-11	s	RESISTOR,CHIP 2.2K 1/16W(1608)
R623	1-218-957-11	s	RESISTOR,CHIP 2.2K 1/16W(1608)
R624	1-208-635-11	s	RESISTOR CHIP 10 1/16W (1005)
R625	1-208-635-11	s	RESISTOR CHIP 10 1/16W (1005)
R626	1-218-990-11	s	RESISTOR,CHIP 0 1/16W (1005)
R628	1-218-990-11	s	RESISTOR,CHIP 0 1/16W (1005)
R701	1-218-965-11	s	RESISTOR, CHIP 10K 1/16W
R702	1-218-965-11	s	RESISTOR, CHIP 10K 1/16W
R705	1-218-965-11	s	RESISTOR, CHIP 10K 1/16W
R707	1-218-965-11	s	RESISTOR, CHIP 10K 1/16W
R708	1-218-965-11	s	RESISTOR, CHIP 10K 1/16W
R709	1-218-990-11	s	RESISTOR,CHIP 0 1/16W (1005)
R710	1-218-990-11	s	RESISTOR,CHIP 0 1/16W (1005)
R719	1-218-990-11	s	RESISTOR,CHIP 0 1/16W (1005)
R720	1-218-990-11	s	RESISTOR,CHIP 0 1/16W (1005)
R721	1-218-941-11	s	RESISTOR,CHIP 100 1/16W (1005)
R722	1-218-957-11	s	RESISTOR,CHIP 2.2K 1/16W(1608)
R723	1-218-957-11	s	RESISTOR,CHIP 2.2K 1/16W(1608)
R724	1-208-635-11	s	RESISTOR CHIP 10 1/16W (1005)
R725	1-208-635-11	s	RESISTOR CHIP 10 1/16W (1005)
R726	1-218-990-11	s	RESISTOR,CHIP 0 1/16W (1005)
R728	1-218-990-11	s	RESISTOR,CHIP 0 1/16W (1005)
R800	1-208-699-11	s	RESISTOR,CHIP 4.7K 1/16W(1005)
R801	1-218-965-11	s	RESISTOR, CHIP 10K 1/16W
R802	1-218-965-11	s	RESISTOR, CHIP 10K 1/16W
R803	1-218-961-11	s	RESISTOR, CHIP 4.7K 1/16W
R805	1-218-961-11	s	RESISTOR, CHIP 4.7K 1/16W
R807	1-218-941-11	s	RESISTOR,CHIP 100 1/16W (1005)
R808	1-218-941-11	s	RESISTOR,CHIP 100 1/16W (1005)
R809	1-218-961-11	s	RESISTOR, CHIP 4.7K 1/16W
R810	1-218-961-11	s	RESISTOR, CHIP 4.7K 1/16W
R811	1-218-965-11	s	RESISTOR, CHIP 10K 1/16W
R812	1-218-965-11	s	RESISTOR, CHIP 10K 1/16W
R813	1-218-973-11	s	RESISTOR,CHIP 47K 1/16W (1005)
R814	1-218-973-11	s	RESISTOR,CHIP 47K 1/16W (1005)
R815	1-218-973-11	s	RESISTOR,CHIP 47K 1/16W (1005)
R816	1-218-965-11	s	RESISTOR, CHIP 10K 1/16W
R817	1-218-965-11	s	RESISTOR, CHIP 10K 1/16W
R818	1-218-961-11	s	RESISTOR, CHIP 4.7K 1/16W
R819	1-218-961-11	s	RESISTOR, CHIP 4.7K 1/16W
R820	1-218-957-11	s	RESISTOR,CHIP 2.2K 1/16W(1608)
R821	1-218-957-11	s	RESISTOR,CHIP 2.2K 1/16W(1608)
R822	1-218-965-11	s	RESISTOR,CHIP 10K 1/16W
R823	1-218-965-11	s	RESISTOR, CHIP 10K 1/16W
R825	1-218-965-11	s	RESISTOR, CHIP 10K 1/16W

(C BOARD)(VPL-CX5)

Ref. No. or Q'ty	Part No.	SP	Description
R826	1-208-635-11	s	RESISTOR CHIP 10 1/16W (1005)
R827	1-218-945-11	s	RESISTOR,CHIP 220 1/16W(1005)
R828	1-218-973-11	s	RESISTOR,CHIP 47K 1/16W (1005)
R829	1-218-965-11	s	RESISTOR, CHIP 10K 1/16W
R830	1-218-973-11	s	RESISTOR,CHIP 47K 1/16W (1005)
R832	1-218-965-11	s	RESISTOR, CHIP 10K 1/16W
R833	1-218-965-11	s	RESISTOR, CHIP 10K 1/16W
R834	1-218-965-11	s	RESISTOR, CHIP 10K 1/16W
R835	1-218-953-11	s	RESISTOR, CHIP 1K 1/16W
R836	1-218-965-11	s	RESISTOR, CHIP 10K 1/16W
R838	1-218-971-11	s	RESISTOR,CHIP 33K 1/16W (1005)
R839	1-218-971-11	s	RESISTOR,CHIP 33K 1/16W (1005)
R840	1-218-941-11	s	RESISTOR,CHIP 100 1/16W (1005)
R841	1-218-941-11	s	RESISTOR,CHIP 100 1/16W (1005)
R842	1-218-965-11	s	RESISTOR, CHIP 10K 1/16W
R843	1-218-958-11	s	RESISTOR,CHIP 2.7K 1/16W(1005)
R844	1-218-965-11	s	RESISTOR, CHIP 10K 1/16W
R845	1-218-941-11	s	RESISTOR,CHIP 100 1/16W (1005)
R846	1-218-941-11	s	RESISTOR,CHIP 100 1/16W (1005)
R847	1-218-965-11	s	RESISTOR, CHIP 10K 1/16W
R848	1-218-965-11	s	RESISTOR, CHIP 10K 1/16W
R850	1-218-965-11	s	RESISTOR, CHIP 10K 1/16W
R851	1-218-965-11	s	RESISTOR, CHIP 10K 1/16W
R852	1-218-965-11	s	RESISTOR, CHIP 10K 1/16W
R853	1-218-953-11	s	RESISTOR, CHIP 1K 1/16W
R854	1-218-990-11	s	RESISTOR,CHIP 0 1/16W (1005)
R904	1-218-941-11	s	RESISTOR,CHIP 100 1/16W (1005)
R905	1-218-941-11	s	RESISTOR,CHIP 100 1/16W (1005)
R906	1-218-973-11	s	RESISTOR,CHIP 47K 1/16W (1005)
R907	1-218-945-11	s	RESISTOR,CHIP 220 1/16W(1005)
R908	1-218-945-11	s	RESISTOR,CHIP 220 1/16W(1005)
R909	1-218-945-11	s	RESISTOR,CHIP 220 1/16W(1005)
R910	1-218-945-11	s	RESISTOR,CHIP 220 1/16W(1005)
R911	1-218-973-11	s	RESISTOR,CHIP 47K 1/16W (1005)
R912	1-218-962-11	s	RESISTOR,CHIP 5.6K 1/16W(1005)
R913	1-218-941-11	s	RESISTOR,CHIP 100 1/16W (1005)
R914	1-218-941-11	s	RESISTOR,CHIP 100 1/16W (1005)
R915	1-218-957-11	s	RESISTOR,CHIP 2.2K 1/16W(1608)
R916	1-218-959-11	s	RESISTOR, CHIP 3.3K
R917	1-208-707-11	s	RESISTOR,CHIP 10K 1/16W (1005)
R918	1-208-707-11	s	RESISTOR,CHIP 10K 1/16W (1005)
R919	1-208-717-11	s	RESISTOR CHIP 27K 1/16W (1005)
R920	1-208-683-11	s	RESISTOR CHIP 1K 1/16W (1005)
R921	1-208-697-11	s	RESISTOR CHIP 3.9K 1/16W(1005)
R922	1-218-965-11	s	RESISTOR, CHIP 10K 1/16W
R923	1-218-965-11	s	RESISTOR, CHIP 10K 1/16W
R924	1-218-965-11	s	RESISTOR, CHIP 10K 1/16W
R925	1-218-969-11	s	RESISTOR,CHIP 22K 1/16W (1608)
R926	1-218-965-11	s	RESISTOR, CHIP 10K 1/16W
R927	1-218-941-11	s	RESISTOR,CHIP 100 1/16W (1005)
R928	1-218-969-11	s	RESISTOR,CHIP 22K 1/16W (1608)
R930	1-218-969-11	s	RESISTOR,CHIP 22K 1/16W (1608)
R931	1-218-969-11	s	RESISTOR,CHIP 22K 1/16W (1608)
R932	1-218-969-11	s	RESISTOR,CHIP 22K 1/16W (1608)
R933	1-218-969-11	s	RESISTOR,CHIP 22K 1/16W (1608)
R934	1-218-965-11	s	RESISTOR, CHIP 10K 1/16W
R935	1-208-707-11	s	RESISTOR,CHIP 10K 1/16W (1005)
R936	1-208-717-11	s	RESISTOR CHIP 27K 1/16W (1005)
R937	1-208-683-11	s	RESISTOR CHIP 1K 1/16W (1005)

(C BOARD)(VPL-CX5)

Ref. No. or Q'ty	Part No.	SP	Description
R938	1-208-697-11	s	RESISTOR CHIP 3.9K 1/16W(1005)
R939	1-218-965-11	s	RESISTOR, CHIP 10K 1/16W
R940	1-208-707-11	s	RESISTOR,CHIP 10K 1/16W (1005)
R941	1-218-943-11	s	RESISTOR,CHIP 150 1/16W
R942	1-218-943-11	s	RESISTOR,CHIP 150 1/16W
R943	1-218-953-11	s	RESISTOR, CHIP 1K 1/16W
R944	1-218-953-11	s	RESISTOR, CHIP 1K 1/16W
R945	1-218-965-11	s	RESISTOR, CHIP 10K 1/16W
R946	1-218-965-11	s	RESISTOR, CHIP 10K 1/16W
R947	1-218-953-11	s	RESISTOR, CHIP 1K 1/16W
R1101	1-218-917-11	s	RESISTOR,CHIP 820K 1/10W(1608)
R1102	1-218-941-11	s	RESISTOR,CHIP 100 1/16W (1005)
R1104	1-218-941-11	s	RESISTOR,CHIP 100 1/16W (1005)
R1105	1-218-941-11	s	RESISTOR,CHIP 100 1/16W (1005)
R1106	1-218-941-11	s	RESISTOR,CHIP 100 1/16W (1005)
R1107	1-218-941-11	s	RESISTOR,CHIP 100 1/16W (1005)
R1108	1-208-643-11	s	RESISTOR CHIP 22 1/16W (1005)
R1109	1-208-643-11	s	RESISTOR CHIP 22 1/16W (1005)
R1116	1-218-990-11	s	RESISTOR,CHIP 0 1/16W (1005)
R1117	1-218-941-11	s	RESISTOR,CHIP 100 1/16W (1005)
R1118	1-218-941-11	s	RESISTOR,CHIP 100 1/16W (1005)
R1120	1-218-973-11	s	RESISTOR,CHIP 47K 1/16W (1005)
R1121	1-218-973-11	s	RESISTOR,CHIP 47K 1/16W (1005)
R1122	1-218-965-11	s	RESISTOR, CHIP 10K 1/16W
R1124	1-218-965-11	s	RESISTOR, CHIP 10K 1/16W
R1125	1-218-977-11	s	RESISTOR,CHIP 100K 1/16W(1005)
R1126	1-218-990-11	s	RESISTOR,CHIP 0 1/16W (1005)
R1128	1-218-977-11	s	RESISTOR,CHIP 100K 1/16W(1005)
R1129	1-218-978-11	s	RESISTOR,CHIP 120K 1/16W(1005)
R1130	1-216-296-00	s	CONDUCTOR, CHIP (3216)
R1131	1-216-296-00	s	CONDUCTOR, CHIP (3216)
R1132	1-218-941-11	s	RESISTOR,CHIP 100 1/16W (1005)
R1133	1-218-941-11	s	RESISTOR,CHIP 100 1/16W (1005)
R1146	1-218-965-11	s	RESISTOR, CHIP 10K 1/16W
RB100	1-234-370-11	s	RES, NETWORK 22X4 (1005)
RB101	1-234-370-11	s	RES, NETWORK 22X4 (1005)
RB102	1-234-370-11	s	RES, NETWORK 22X4 (1005)
RB103	1-234-370-11	s	RES, NETWORK 22X4 (1005)
RB104	1-234-370-11	s	RES, NETWORK 22X4 (1005)
RB105	1-234-370-11	s	RES, NETWORK 22X4 (1005)
RB200	1-234-369-21	s	RES, NETWORK 10X4 (1005)
RB201	1-234-369-21	s	RES, NETWORK 10X4 (1005)
RB202	1-234-369-21	s	RES, NETWORK 10X4 (1005)
RB203	1-234-369-21	s	RES, NETWORK 10X4 (1005)
RB205	1-234-378-11	s	RES, NETWORK 10KX4 (1005)
RB300	1-234-369-21	s	RES, NETWORK 10X4 (1005)
RB301	1-234-369-21	s	RES, NETWORK 10X4 (1005)
RB302	1-234-369-21	s	RES, NETWORK 10X4 (1005)
RB303	1-234-369-21	s	RES, NETWORK 10X4 (1005)
RB304	1-234-369-21	s	RES, NETWORK 10X4 (1005)
RB305	1-234-369-21	s	RES, NETWORK 10X4 (1005)
RB401	1-234-372-21	s	RES, NETWORK 100X4 (1005)
RB402	1-234-372-21	s	RES, NETWORK 100X4 (1005)
RB403	1-234-372-21	s	RES, NETWORK 100X4 (1005)
RB404	1-234-372-21	s	RES, NETWORK 100X4 (1005)
RB405	1-234-372-21	s	RES, NETWORK 100X4 (1005)
RB406	1-234-372-21	s	RES, NETWORK 100X4 (1005)
RB450	1-234-371-11	s	RES, NETWORK 47X4 (1005)
RB451	1-234-371-11	s	RES, NETWORK 47X4 (1005)

(C BOARD)(VPL-CX5)

Ref. No. or Q'ty	Part No.	SP	Description
RB452	1-234-371-11	s	RES, NETWORK 47X4 (1005)
RB453	1-234-371-11	s	RES, NETWORK 47X4 (1005)
RB454	1-234-371-11	s	RES, NETWORK 47X4 (1005)
RB471	1-234-372-21	s	RES, NETWORK 100X4 (1005)
RB472	1-234-372-21	s	RES, NETWORK 100X4 (1005)
RB473	1-234-372-21	s	RES, NETWORK 100X4 (1005)
RB501	1-234-523-21	s	RESISTOR,CHIP NETWORK
RB502	1-234-523-21	s	RESISTOR,CHIP NETWORK
RB601	1-234-523-21	s	RESISTOR,CHIP NETWORK
RB602	1-234-523-21	s	RESISTOR,CHIP NETWORK
RB701	1-234-523-21	s	RESISTOR,CHIP NETWORK
RB702	1-234-523-21	s	RESISTOR,CHIP NETWORK
RB800	1-234-372-21	s	RES, NETWORK 100X4 (1005)
RB801	1-234-378-11	s	RES, NETWORK 10KX4 (1005)
RB802	1-234-372-21	s	RES, NETWORK 100X4 (1005)
RB803	1-234-375-21	s	RES, NETWORK 1KX4 (1005)
RB804	1-234-372-21	s	RES, NETWORK 100X4 (1005)
RB805	1-234-372-21	s	RES, NETWORK 100X4 (1005)
RB806	1-234-372-21	s	RES, NETWORK 100X4 (1005)
RB807	1-234-372-21	s	RES, NETWORK 100X4 (1005)
RB808	1-234-372-21	s	RES, NETWORK 100X4 (1005)
RB809	1-234-372-21	s	RES, NETWORK 100X4 (1005)
RB810	1-234-372-21	s	RES, NETWORK 100X4 (1005)
RB811	1-234-372-21	s	RES, NETWORK 100X4 (1005)
RB812	1-234-372-21	s	RES, NETWORK 100X4 (1005)
RB813	1-234-372-21	s	RES, NETWORK 100X4 (1005)
RB814	1-234-372-21	s	RES, NETWORK 100X4 (1005)
RB815	1-234-372-21	s	RES, NETWORK 100X4 (1005)
RB816	1-234-372-21	s	RES, NETWORK 100X4 (1005)
RB817	1-234-372-21	s	RES, NETWORK 100X4 (1005)
RB818	1-234-372-21	s	RES, NETWORK 100X4 (1005)
RB819	1-234-372-21	s	RES, NETWORK 100X4 (1005)
RB820	1-234-372-21	s	RES, NETWORK 100X4 (1005)
RB821	1-234-372-21	s	RES, NETWORK 100X4 (1005)
S401	1-771-337-21	s	SWITCH, SLIDE
TH800	1-803-382-11	s	THERMISTOR (1005)
TH1101	1-803-615-11	s	THERMISTOR, POSITIVE
TP101	1-535-757-11	s	CHIP, CHECKER (CONNECTOR)
TP102	1-535-757-11	s	CHIP, CHECKER (CONNECTOR)
TP203	1-535-757-11	s	CHIP, CHECKER (CONNECTOR)
TP301	1-535-757-11	s	CHIP, CHECKER (CONNECTOR)
TP302	1-535-757-11	s	CHIP, CHECKER (CONNECTOR)
TP401	1-535-757-11	s	CHIP, CHECKER (CONNECTOR)
TP449	1-535-757-11	s	CHIP, CHECKER (CONNECTOR)
TP450	1-535-757-11	s	CHIP, CHECKER (CONNECTOR)
TP451	1-535-757-11	s	CHIP, CHECKER (CONNECTOR)
TP452	1-535-757-11	s	CHIP, CHECKER (CONNECTOR)
TP453	1-535-757-11	s	CHIP, CHECKER (CONNECTOR)
TP454	1-535-757-11	s	CHIP, CHECKER (CONNECTOR)
TP455	1-535-757-11	s	CHIP, CHECKER (CONNECTOR)
TP456	1-535-757-11	s	CHIP, CHECKER (CONNECTOR)
TP457	1-535-757-11	s	CHIP, CHECKER (CONNECTOR)
TP458	1-535-757-11	s	CHIP, CHECKER (CONNECTOR)
TP459	1-535-757-11	s	CHIP, CHECKER (CONNECTOR)
TP501	1-535-757-11	s	CHIP, CHECKER (CONNECTOR)
TP502	1-535-757-11	s	CHIP, CHECKER (CONNECTOR)
TP503	1-535-757-11	s	CHIP, CHECKER (CONNECTOR)

(C BOARD)(VPL-CX5)

Ref. No. or Q'ty	Part No.	SP	Description
TP601	1-535-757-11	s	CHIP, CHECKER (CONNECTOR)
TP602	1-535-757-11	s	CHIP, CHECKER (CONNECTOR)
TP603	1-535-757-11	s	CHIP, CHECKER (CONNECTOR)
TP701	1-535-757-11	s	CHIP, CHECKER (CONNECTOR)
TP702	1-535-757-11	s	CHIP, CHECKER (CONNECTOR)
TP703	1-535-757-11	s	CHIP, CHECKER (CONNECTOR)
TP800	1-535-757-11	s	CHIP, CHECKER (CONNECTOR)
TP801	1-535-757-11	s	CHIP, CHECKER (CONNECTOR)
TP1102	1-535-757-11	s	CHIP, CHECKER (CONNECTOR)
X200	1-795-692-11	s	VIBRATOR, CRYSTAL(24.576MHz)
X300	1-795-650-21	s	VIBRATOR, CRYSTAL(16.384MHz)
X800	1-795-650-21	s	VIBRATOR, CRYSTAL(16.384MHz)

GA BOARD

Ref. No. or Q'ty	Part No.	SP	Description
1pc	A-1300-393-A	s	MOUNTED CIRCUIT BOARD, GA(A1/3)
1pc	A-1300-485-A	s	MOUNTED CIRCUIT BOARD, GA(A2/4)
2pcs	7-682-949-09	s	SCREW +PSW 3X10(EP-FE/ZNBK/CM2)
C1101	△ 1-113-900-11	s	CAPACITOR,CERAMIC 470PF/250V
C1103	△ 1-117-916-51	s	CAP, METALIZED FILM 0.22MF
C1106	△ 1-113-900-11	s	CAPACITOR,CERAMIC 470PF/250V
C2004	△ 1-104-708-11	s	CAP, FILM 0.47MF/250VAC
C2101	1-117-228-11	s	CAPACITOR,FILM 2.2MF/450V
C2102	1-117-751-11	s	CAPACITOR, ELECT 220MF/450V
C2103	1-137-477-11	s	CAPCITOR,FILM 0.47MF/400V
C2104	1-107-909-11	s	CAPACITOR,ELECT 47MF/50V
C2105	1-115-339-11	s	CAPACITOR,CERAMIC 0.1MF/50V
C2106	1-115-340-11	s	CAPACITOR CERAMIC 0.22MF/25V B
C2107	1-163-251-11	s	CAPACITOR CERAMIC 100PF/50V
CN1101	△ 1-793-305-11	s	INLET, AC (AC-M11PB52)
CN2001	1-691-960-11	o	PIN,CONNECTOR (PC BOARD) 3P
CN2002	1-691-960-11	o	PIN,CONNECTOR (PC BOARD) 3P
CN3501	1-564-705-11	o	PIN,CONNECTOR (3P)
D2101	8-719-304-63	s	DIODE RM11C (RECTI)
D2102	△ 8-719-066-75	s	DIODE D6SB80
D2103	8-719-073-01	s	DIODE MA111-(K8).S0
D2104	8-719-073-01	s	DIODE MA111-(K8).S0
D2105	8-719-106-98	s	DIODE RD16M-B2
F1101	△ 1-576-233-11	s	FUSE (H.B.C.) 6.3A/250V
FH1101	1-533-223-11	s	CLIP,FUSE
FH1102	1-533-223-11	s	CLIP,FUSE
IC2101	8-749-015-27	s	IC MZ1540
L1101	△ 1-456-134-11	s	COIL, LINE FILTER
L2101	1-456-133-11	s	COIL, CHOKE
L3204	1-419-763-11	s	COIL, CHOKE 220UH
Q2101	8-729-230-27	s	TRANSISTOR 2SA1213Y-TE12L
Q3601	8-729-230-27	s	TRANSISTOR 2SA1213Y-TE12L
R1101	△ 1-202-847-00	s	RESISTOR,SOLID 560K 1/2W
R2101	△ 1-211-748-11	s	RES, CEMENT-COATED (FUSE) 5.6
R2102	1-216-065-91	s	RESISTOR,CHIP 4.7K 1/10W(2012)
R2104	1-220-273-11	s	RESISTOR, CHIP 1K 1/2W (4532)
R2105	1-220-273-11	s	RESISTOR, CHIP 1K 1/2W (4532)
R2106	1-216-063-91	s	RESISTOR,CHIP 3.9K 1/10W(2125)
R2107	1-216-065-91	s	RESISTOR,CHIP 4.7K 1/10W(2012)
R2109	1-216-065-91	s	RESISTOR,CHIP 4.7K 1/10W(2012)
R3206	1-245-415-11	s	RESISTOR, METAL PLATE 0.15
R3606	1-249-389-11	s	RES,CARBON 4.7 1/4W
R3608	1-216-057-00	s	RESISTOR CHIP 2.2K 1/10W(2012)
R3609	1-216-073-00	s	RESISTOR,CHIP 10K 1/10W(2012)
RY2101	△ 1-755-395-11	s	RELAY (AC POWER)
VD1101	△ 1-801-268-11	s	VARISTOR (TNR14V471K660)

GB BOARD

Ref. No. or Q'ty	Part No.	SP	Description
1pc	A-1300-394-A	s	MOUNTED CIRCUIT BOARD, GB(A1/3)
1pc	A-1300-486-A	s	MOUNTED CIRCUIT BOARD, GB(A2/4)
C3107	1-162-970-11	s	CAPACITOR CERAMIC 0.01MF/25V B
C3108	1-136-479-11	s	CAPACITOR FILM 0.001MF/100V PP
C3109	1-162-970-11	s	CAPACITOR CERAMIC 0.01MF/25V B
C3110	1-124-779-00	s	CAPACITOR,ELECT 10MF/16V
C3111	1-109-994-11	s	CAPACITOR,CHIP CERAMIC 2.2MF B
C3112	1-126-967-11	s	CAPACITOR,ELECT 47MF/50V
C3113	1-130-495-00	s	CAPACITOR FILM 0.1MF/50V PETP
C3114	1-128-551-11	s	CAPACITOR ERECT 22MF/63V
C3119	1-137-753-11	s	CAPACITOR METALIZED 4700PF
C3120	1-115-566-11	s	CAPACITOR,CERAMIC 4.7MF B/6.3V
C3121	1-107-911-11	s	CAPACITOR,ELECT 220MF/50V
C3122	1-107-826-11	s	CAPACITOR,CHIP CERAMIC 0.1MF
C3123	1-131-976-11	s	CAP, ELECT 820MF
C3125	1-128-946-11	s	CAP, ELECT 2200MF / 10V
C3126	1-115-339-11	s	CAPACITOR,CERAMIC 0.1MF/50V
C3128	1-109-982-11	s	CAPACITOR,CHIP CERAMIC 1MF/10V
C3130	1-113-900-11	s	CAPACITOR,CERAMIC 470PF/250V
C3131	1-107-826-11	s	CAPACITOR,CHIP CERAMIC 0.1MF
C3203	1-128-994-11	s	CAP, ELECT 47MF/10V
C3204	1-131-999-11	s	CAPACITOR,SOLID ELECT 150MF
C3205	1-162-966-11	s	CAPACITOR,CERAMIC 2200PF/50V B
C3206	1-164-230-11	s	CAPACITOR,CERAMIC 220PF/50V
C3207	1-115-340-11	s	CAPACITOR CERAMIC 0.22MF/25V B
C3209	1-115-156-11	s	CAPACITOR,CERAMIC 1MF/10V(1608)
C3210	1-117-808-91	s	CAPACITOR,CERAMIC 10MF/10V(B)
C3211	1-135-960-91	s	CAP, CHIP CERAMIC 10MF B(3225)
C3212	1-135-346-11	s	CAP, SOLID ELECT 39MF 16V
C3213	1-164-156-11	s	CAPACITOR,CERAMIC 0.1MF/25V F
C3214	1-162-927-11	s	CAPACITOR,CERAMIC 100PF/50V CH
C3314	1-117-370-11	s	CAPASITER CERAMIC 10MF (3216)
C3331	1-107-826-11	s	CAPACITOR,CHIP CERAMIC 0.1MF
C3332	1-107-826-11	s	CAPACITOR,CHIP CERAMIC 0.1MF
CN3201	1-564-705-11	o	PIN,CONNECTOR (3P)
CN3301	1-764-782-11	o	HOUSING, CONNECTOR 24P
D3103	8-719-107-13	s	DIODE RD18M-B1
D3104	8-719-073-01	s	DIODE MA111-(K8).S0
D3107	8-719-979-64	s	DIODE UF4005PKG23
D3108	8-719-118-12	s	DIODE RD33M-B
D3109	8-719-073-52	s	DIODE D2FS6-TA
D3110	8-719-510-09	s	DIODE D10SC6M (RECTI)
D3112	8-719-510-12	s	DIODE D10SC4M
D3113	8-719-106-16	s	DIODE RD6.8M-B1
D3116	8-719-073-01	s	DIODE MA111-(K8).S0
D3118	8-719-073-01	s	DIODE MA111-(K8).S0
D3119	8-719-073-01	s	DIODE MA111-(K8).S0
D3121	8-719-073-01	s	DIODE MA111-(K8).S0
D3201	8-719-078-04	s	DIODE EC31QS03L-TE12L
D3202	8-719-058-24	s	DIODE RB501V-40TE17
D3203	8-719-078-04	s	DIODE EC31QS03L-TE12L
D3306	8-719-073-01	s	DIODE MA111-(K8).S0
D3307	8-719-073-01	s	DIODE MA111-(K8).S0
D3308	8-719-073-01	s	DIODE MA111-(K8).S0
FB3102	1-500-451-11	s	MICRO INDUCTOR (CHIP) 41P750S
FB3103	1-500-451-11	s	MICRO INDUCTOR (CHIP) 41P750S
IC3100	8-759-670-30	s	IC MCZ3001D

(GB BOARD)

Ref. No. or Q'ty	Part No.	SP	Description
IC3102	8-759-388-23	s	IC TL431BCDR2
IC3201	6-702-713-01	s	IC LT1765EFE
IC3202	8-759-713-98	s	IC LTC1772CS6
IC3301	8-759-066-55	s	IC TA75W393FU
IC3302	8-759-066-55	s	IC TA75W393FU
IC3307	8-759-066-55	s	IC TA75W393FU
L3205	1-424-653-11	s	COIL,CHOKE 10UH
L3206	1-424-673-11	s	COIL, CHOKE 4.7UH
PH3100	8-749-016-82	s	PHOTO COUPLER PC123GY2
PH3101	8-749-016-82	s	PHOTO COUPLER PC123GY2
PH3102	8-749-016-82	s	PHOTO COUPLER PC123GY2
Q3102	8-729-052-29	s	TRANSISTOR 2SK2876-01MR-F122
Q3103	8-729-052-29	s	TRANSISTOR 2SK2876-01MR-F122
Q3104	8-729-216-22	s	TRANSISTOR 2SA1162-G
Q3105	8-729-230-49	s	TRANSISTOR 2SC2712-YG
Q3106	8-729-905-35	s	TRANSISTOR 2SC4081-R
Q3107	8-729-048-69	s	TRANSISTOR 2SJ530S-TL
Q3109	8-729-048-69	s	TRANSISTOR 2SJ530S-TL
Q3110	8-729-905-35	s	TRANSISTOR 2SC4081-R
Q3201	8-729-034-98	s	TRANSISTOR SI9434DY-T1
Q3301	8-729-029-14	s	TRANSISTOR DTC144EUA-T106
Q3302	8-729-048-69	s	TRANSISTOR 2SJ530S-TL
R3107	1-249-389-11	s	RES,CARBON 4.7 1/4W
R3111	1-218-877-11	s	RESISTOR,CHIP 18K 1/10W (1608)
R3112	1-218-843-11	s	RESISTOR,CHIP 680 1/10W (1608)
R3113	1-218-868-11	s	RESISTOR,CHIP 7.5K 1/10W(1608)
R3114	1-218-823-11	s	RESISTOR,CHIP 100 1/10W (1608)
R3115	1-218-877-11	s	RESISTOR,CHIP 18K 1/10W (1608)
R3116	1-220-338-11	s	RESISTOR,CHIP 330K 1/2W (4532)
R3117	1-220-338-11	s	RESISTOR,CHIP 330K 1/2W (4532)
R3119	1-220-338-11	s	RESISTOR,CHIP 330K 1/2W (4532)
R3120	1-216-001-00	s	RESISTOR, CHIP 10 1/10W(2012)
R3121	1-216-001-00	s	RESISTOR, CHIP 10 1/10W(2012)
R3122	1-249-417-11	s	RESISTOR,CARBON 1K 1/4W(SMALL)
R3123	1-216-814-11	s	RESISTOR,CHIP 270 1/16W 1608
R3124	1-216-073-00	s	RESISTOR,CHIP 10K 1/10W(2012)
R3125	1-216-073-00	s	RESISTOR,CHIP 10K 1/10W(2012)
R3126	1-202-933-61	s	RESISTOR, FUSE 0.1 1/2W
R3127	1-216-841-11	s	RESISTOR, CHIP 47K 1/16W 1608
R3128	1-216-833-11	s	RESISTOR,CHIP 10K 1/16W (1608)
R3129	1-220-993-91	s	RESISTOR,CHIP 0.68 5025
R3130	1-220-993-91	s	RESISTOR,CHIP 0.68 5025
R3131	1-216-833-11	s	RESISTOR,CHIP 10K 1/16W (1608)
R3132	1-216-845-11	s	RESISTOR,CHIP 100K 1/16W(1608)
R3133	1-216-833-11	s	RESISTOR,CHIP 10K 1/16W (1608)
R3134	1-216-821-11	s	RESISTOR,CHIP 1.0K 1/16W(1608)
R3135	1-216-820-11	s	RESISTOR, CHIP 820 1/16W 1608
R3136	1-216-837-11	s	RESISTOR,CHIP 22K 1/16W 1608
R3137	1-216-061-00	s	RESISTOR CHIP 3.3K 1/10W(2012)
R3138	1-216-041-00	s	RESISTOR, CHIP 470 1/10W(2012)
R3139	1-216-833-11	s	RESISTOR,CHIP 10K 1/16W (1608)
R3141	1-218-859-11	s	RESISTOR,CHIP 3.3K 1/10W(1608)
R3142	1-218-861-11	s	RESISTOR,CHIP 3.9K 1/10W(1608)
R3143	1-218-857-11	s	RESISTOR,CHIP 2.7K 1/10W(1608)
R3144	1-218-855-11	s	RESISTOR,CHIP 2.2K 1/10W(1608)
R3145	1-218-887-11	s	RESISTOR,CHIP 47K 1/10W (1608)
R3152	1-216-844-11	s	RESISTOR,CHIP 82K 1/16W 1608

(GB BOARD)

Ref. No. or Q'ty	Part No.	SP Description
R3153	1-216-841-11	s RESISTOR, CHIP 47K 1/16W 1608
R3156	1-216-827-11	s RESISTOR, CHIP 3.3K 1/16W 1608
R3157	1-216-841-11	s RESISTOR, CHIP 47K 1/16W 1608
R3158	1-216-833-11	s RESISTOR,CHIP 10K 1/16W (1608)
R3161	1-216-833-11	s RESISTOR,CHIP 10K 1/16W (1608)
R3201	1-216-837-11	s RESISTOR,CHIP 22K 1/16W 1608
R3202	1-216-825-11	s RESISTOR,CHIP 2.2K 1/16W 1608
R3203	1-216-837-11	s RESISTOR,CHIP 22K 1/16W 1608
R3204	1-216-833-11	s RESISTOR,CHIP 10K 1/16W (1608)
R3205	1-216-833-11	s RESISTOR,CHIP 10K 1/16W (1608)
R3207	1-216-821-11	s RESISTOR,CHIP 1.0K 1/16W(1608)
R3209	1-218-871-11	s RESISTOR,CHIP 10K 1/10W (1608)
R3210	1-216-864-11	s CONDUCTOR, CHIP (1608)
R3213	1-218-893-11	s RESISTOR, CHIP 82K 1/10W(1608)
R3214	1-218-883-11	s RESISTOR,CHIP 33K 1/10W (1608)
R3216	1-216-833-11	s RESISTOR,CHIP 10K 1/16W (1608)
R3217	1-218-893-11	s RESISTOR, CHIP 82K 1/10W(1608)
R3218	1-218-905-11	s RESISTOR,CHIP 270K 1/10W(1608)
R3219	1-240-182-11	s RESISTOR,SQURE TYPE 47M
R3321	1-216-833-11	s RESISTOR,CHIP 10K 1/16W (1608)
R3322	1-216-073-00	s RESISTOR,CHIP 10K 1/10W(2012)
R3324	1-216-845-11	s RESISTOR,CHIP 100K 1/16W(1608)
R3325	1-216-833-11	s RESISTOR,CHIP 10K 1/16W (1608)
R3326	1-216-838-11	s RESISTOR CHIP 27K 1/16W(1608)
R3327	1-216-821-11	s RESISTOR,CHIP 1.0K 1/16W(1608)
R3330	1-216-845-11	s RESISTOR,CHIP 100K 1/16W(1608)
R3331	1-216-839-11	s RESISTOR,CHIP 33K 1/16W 1608
R3332	1-216-833-11	s RESISTOR,CHIP 10K 1/16W (1608)
R3333	1-216-829-11	s RESISTOR,CHIP 4.7K 1/16W(1608)
R3334	1-216-821-11	s RESISTOR,CHIP 1.0K 1/16W(1608)
R3335	1-216-821-11	s RESISTOR,CHIP 1.0K 1/16W(1608)
R3336	1-216-825-11	s RESISTOR,CHIP 2.2K 1/16W 1608
R3337	1-216-833-11	s RESISTOR,CHIP 10K 1/16W (1608)
R3338	1-216-809-11	s RESISTOR,CHIP 100 1/16W 1608
R3339	1-216-841-11	s RESISTOR, CHIP 47K 1/16W 1608
T1101	1-437-380-11	s TRANSFORMER, CONVERTER

H1 BOARD

Ref. No. or Q'ty	Part No.	SP Description
lpc	A-1400-715-A	s MOUNTED CIRCUIT BOARD, H1(A1/3)
lpc	A-1400-916-A	s MOUNTED CIRCUIT BOARD, H1(A2/4)
C1501	1-107-820-11	s CAPACITOR,CHIP CERAMIC 0.1MF F
CN1501	1-691-491-21	s CONNECTOR, FFC/FPC 12P
D1501	8-719-045-51	s DIODE SEC2422C
D1502	8-719-045-51	s DIODE SEC2422C
D1503	8-719-024-77	s DIODE HN1D03FU-TE85L
D1504	8-719-024-77	s DIODE HN1D03FU-TE85L
Q1501	8-729-014-65	s TRANSISTOR RN2904-TE85R
Q1502	8-729-026-53	s TRANSISTOR 2SA1576A-T106-QR
R1501	1-218-943-11	s RESISTOR,CHIP 150 1/16W
R1502	1-218-944-11	s RESISTOR,CHIP 180 1/16W
R1504	1-218-943-11	s RESISTOR,CHIP 150 1/16W
R1505	1-218-944-11	s RESISTOR,CHIP 180 1/16W
R1507	1-218-941-11	s RESISTOR,CHIP 100 1/16W (1005)
R1508	1-218-941-11	s RESISTOR,CHIP 100 1/16W (1005)
R1509	1-218-941-11	s RESISTOR,CHIP 100 1/16W (1005)
R1510	1-218-941-11	s RESISTOR,CHIP 100 1/16W (1005)
R1511	1-218-961-11	s RESISTOR, CHIP 4.7K 1/16W
R1512	1-218-973-11	s RESISTOR,CHIP 47K 1/16W (1005)
S1501	1-771-105-11	s SWITCH, TACTILE(INPUT)
S1502	1-771-105-11	s SWITCH, TACTILE(POWER)
S1503	1-771-105-11	s SWITCH, TACTILE(TILT-)
S1504	1-771-105-11	s SWITCH, TACTILE(TILT+)

H2 BOARD

Ref. No. or Q'ty	Part No.	SP Description
lpc	A-1400-719-A	s MOUNTED CIRCUIT BOARD, H2(A1/3)
lpc	A-1400-920-A	s MOUNTED CIRCUIT BOARD, H2(A2/4)
C1551	1-107-820-11	s CAPACITOR,CHIP CERAMIC 0.1MF F
CN1551	1-770-623-21	s PIN, CONNECTOR 6P
D1551	8-719-045-61	s DIODE SEC1901C
D1552	8-719-045-61	s DIODE SEC1901C
D1553	8-719-045-53	s DIODE SEC1801C
D1554	8-719-024-77	s DIODE HN1D03FU-TE85L
D1555	8-719-024-77	s DIODE HN1D03FU-TE85L
Q1551	8-729-014-65	s TRANSISTOR RN2904-TE85R
Q1552	8-729-014-65	s TRANSISTOR RN2904-TE85R
R1551	1-218-958-11	s RESISTOR,CHIP 2.7K 1/16W(1005)
R1552	1-218-954-11	s RESISTOR, CHIP 1.2K 1/16W
R1553	1-218-951-11	s RESISTOR, CHIP 680 1/16
R1554	1-218-948-11	s RESISTOR CHIP 390 1/16W (1005)
R1555	1-218-946-11	s RESISTOR,CHIP 270 1/16W
R1556	1-218-950-11	s RESISTOR,CHIP 560,1/16W
R1558	1-218-941-11	s RESISTOR,CHIP 100 1/16W (1005)
R1559	1-218-941-11	s RESISTOR,CHIP 100 1/16W (1005)
R1560	1-218-941-11	s RESISTOR,CHIP 100 1/16W (1005)
S1551	1-771-105-11	s SWITCH, TACTILE(MENU)
S1552	1-786-409-11	s SWITCH, TACTILE

L BOARD

Ref. No. or Q'ty	Part No.	SP	Description
1pc	A-1400-716-A	s	MOUNTED CIRCUIT BOARD, L(A1/3)
1pc	A-1400-917-A	s	MOUNTED CIRCUIT BOARD, L(A2/4)
CN1201	1-770-619-11	o	PIN, CONNECTOR 2P
D1201	6-500-318-01	s	DIODE NSCW100
D1202	6-500-318-01	s	DIODE NSCW100
D1203	6-500-318-01	s	DIODE NSCW100
D1204	6-500-318-01	s	DIODE NSCW100
R1201	1-216-025-00	s	RESISTOR,CHIP 100 1/10W(2012)
R1202	1-216-025-00	s	RESISTOR,CHIP 100 1/10W(2012)
R1203	1-216-025-00	s	RESISTOR,CHIP 100 1/10W(2012)
R1204	1-216-025-00	s	RESISTOR,CHIP 100 1/10W(2012)

MS BOARD(VPL-CX5)

Ref. No. or Q'ty	Part No.	SP	Description
1pc	A-1300-693-A	s	MOUNTED CIRCUIT BOARD, MS(A3)
1pc	A-1300-748-A	s	MOUNTED CIRCUIT BOARD, MS(A4)
C1007	1-119-667-11	s	CAPACITOR CERAMIC 22MF/10V(F)
C1008	1-107-820-11	s	CAPACITOR,CHIP CERAMIC 0.1MF F
C1010	1-119-667-11	s	CAPACITOR CERAMIC 22MF/10V(F)
C1011	1-107-820-11	s	CAPACITOR,CHIP CERAMIC 0.1MF F
C1012	1-107-820-11	s	CAPACITOR,CHIP CERAMIC 0.1MF F
C1013	1-107-820-11	s	CAPACITOR,CHIP CERAMIC 0.1MF F
C1014	1-115-467-11	s	CAPACITOR CERAMIC 0.22MF/10V B
C1016	1-119-667-11	s	CAPACITOR CERAMIC 22MF/10V(F)
C1017	1-107-820-11	s	CAPACITOR,CHIP CERAMIC 0.1MF F
C1018	1-107-820-11	s	CAPACITOR,CHIP CERAMIC 0.1MF F
C1019	1-107-820-11	s	CAPACITOR,CHIP CERAMIC 0.1MF F
C1020	1-107-820-11	s	CAPACITOR,CHIP CERAMIC 0.1MF F
C1021	1-107-820-11	s	CAPACITOR,CHIP CERAMIC 0.1MF F
C1022	1-107-820-11	s	CAPACITOR,CHIP CERAMIC 0.1MF F
C1023	1-107-820-11	s	CAPACITOR,CHIP CERAMIC 0.1MF F
C1024	1-107-820-11	s	CAPACITOR,CHIP CERAMIC 0.1MF F
C1025	1-107-820-11	s	CAPACITOR,CHIP CERAMIC 0.1MF F
C1027	1-107-820-11	s	CAPACITOR,CHIP CERAMIC 0.1MF F
C1028	1-164-505-11	s	CAPACITOR,CHIP CERAMIC 2.2MF
C1029	1-117-370-11	s	CAPASITER CERAMIC 10MF (3216)
C1030	1-117-370-11	s	CAPASITER CERAMIC 10MF (3216)
C1031	1-117-720-11	s	CAPACITOR, CERAMIC 4.7MF/10V F
C1032	1-117-720-11	s	CAPACITOR, CERAMIC 4.7MF/10V F
C1038	1-119-667-11	s	CAPACITOR CERAMIC 22MF/10V(F)
C1039	1-107-820-11	s	CAPACITOR,CHIP CERAMIC 0.1MF F
C1040	1-107-820-11	s	CAPACITOR,CHIP CERAMIC 0.1MF F
C1041	1-107-820-11	s	CAPACITOR,CHIP CERAMIC 0.1MF F
C1042	1-107-820-11	s	CAPACITOR,CHIP CERAMIC 0.1MF F
C1043	1-107-820-11	s	CAPACITOR,CHIP CERAMIC 0.1MF F
C1044	1-164-941-11	s	CAPACITOR,CHIP CERAMIC 4700/16
C1045	1-164-941-11	s	CAPACITOR,CHIP CERAMIC 4700/16
C2001	1-107-820-11	s	CAPACITOR,CHIP CERAMIC 0.1MF F
C2002	1-119-667-11	s	CAPACITOR CERAMIC 22MF/10V(F)
C2003	1-107-820-11	s	CAPACITOR,CHIP CERAMIC 0.1MF F
C2004	1-119-667-11	s	CAPACITOR CERAMIC 22MF/10V(F)
C2005	1-107-820-11	s	CAPACITOR,CHIP CERAMIC 0.1MF F
C2006	1-119-667-11	s	CAPACITOR CERAMIC 22MF/10V(F)
C2007	1-107-820-11	s	CAPACITOR,CHIP CERAMIC 0.1MF F
C2008	1-107-820-11	s	CAPACITOR,CHIP CERAMIC 0.1MF F
C2009	1-107-820-11	s	CAPACITOR,CHIP CERAMIC 0.1MF F
C2010	1-107-820-11	s	CAPACITOR,CHIP CERAMIC 0.1MF F
C2011	1-107-820-11	s	CAPACITOR,CHIP CERAMIC 0.1MF F
C2012	1-107-820-11	s	CAPACITOR,CHIP CERAMIC 0.1MF F
C2013	1-107-820-11	s	CAPACITOR,CHIP CERAMIC 0.1MF F
C2014	1-107-820-11	s	CAPACITOR,CHIP CERAMIC 0.1MF F
C2015	1-107-820-11	s	CAPACITOR,CHIP CERAMIC 0.1MF F
C2016	1-107-820-11	s	CAPACITOR,CHIP CERAMIC 0.1MF F
C2017	1-107-820-11	s	CAPACITOR,CHIP CERAMIC 0.1MF F
C2018	1-107-820-11	s	CAPACITOR,CHIP CERAMIC 0.1MF F
C2019	1-107-820-11	s	CAPACITOR,CHIP CERAMIC 0.1MF F
C2020	1-107-820-11	s	CAPACITOR,CHIP CERAMIC 0.1MF F
C2021	1-107-820-11	s	CAPACITOR,CHIP CERAMIC 0.1MF F
C2022	1-107-820-11	s	CAPACITOR,CHIP CERAMIC 0.1MF F
C2023	1-107-820-11	s	CAPACITOR,CHIP CERAMIC 0.1MF F
C2024	1-107-820-11	s	CAPACITOR,CHIP CERAMIC 0.1MF F
C2025	1-107-820-11	s	CAPACITOR,CHIP CERAMIC 0.1MF F
C2026	1-107-820-11	s	CAPACITOR,CHIP CERAMIC 0.1MF F

(MS BOARD)(VPL-CX5)

Ref. No. or Q'ty	Part No.	SP	Description
C2027	1-107-820-11	s	CAPACITOR,CHIP CERAMIC 0.1MF F
C2028	1-107-820-11	s	CAPACITOR,CHIP CERAMIC 0.1MF F
C2029	1-107-820-11	s	CAPACITOR,CHIP CERAMIC 0.1MF F
C2030	1-107-820-11	s	CAPACITOR,CHIP CERAMIC 0.1MF F
C2031	1-107-820-11	s	CAPACITOR,CHIP CERAMIC 0.1MF F
C3001	1-119-667-11	s	CAPACITOR CERAMIC 22MF/10V(F)
C3002	1-107-820-11	s	CAPACITOR,CHIP CERAMIC 0.1MF F
C3003	1-107-820-11	s	CAPACITOR,CHIP CERAMIC 0.1MF F
C3004	1-107-820-11	s	CAPACITOR,CHIP CERAMIC 0.1MF F
C3005	1-107-820-11	s	CAPACITOR,CHIP CERAMIC 0.1MF F
C3006	1-107-820-11	s	CAPACITOR,CHIP CERAMIC 0.1MF F
C3007	1-107-820-11	s	CAPACITOR,CHIP CERAMIC 0.1MF F
C3008	1-107-820-11	s	CAPACITOR,CHIP CERAMIC 0.1MF F
C3009	1-119-667-11	s	CAPACITOR CERAMIC 22MF/10V(F)
C3010	1-107-820-11	s	CAPACITOR,CHIP CERAMIC 0.1MF F
C3011	1-107-820-11	s	CAPACITOR,CHIP CERAMIC 0.1MF F
C3012	1-107-820-11	s	CAPACITOR,CHIP CERAMIC 0.1MF F
C3013	1-107-820-11	s	CAPACITOR,CHIP CERAMIC 0.1MF F
C3014	1-107-820-11	s	CAPACITOR,CHIP CERAMIC 0.1MF F
C3015	1-107-820-11	s	CAPACITOR,CHIP CERAMIC 0.1MF F
C3016	1-107-820-11	s	CAPACITOR,CHIP CERAMIC 0.1MF F
C3017	1-119-667-11	s	CAPACITOR CERAMIC 22MF/10V(F)
C3018	1-107-820-11	s	CAPACITOR,CHIP CERAMIC 0.1MF F
C3019	1-107-820-11	s	CAPACITOR,CHIP CERAMIC 0.1MF F
C3020	1-107-820-11	s	CAPACITOR,CHIP CERAMIC 0.1MF F
C3021	1-107-820-11	s	CAPACITOR,CHIP CERAMIC 0.1MF F
C3022	1-119-667-11	s	CAPACITOR CERAMIC 22MF/10V(F)
C3023	1-107-820-11	s	CAPACITOR,CHIP CERAMIC 0.1MF F
C3024	1-107-820-11	s	CAPACITOR,CHIP CERAMIC 0.1MF F
CN1001	1-785-613-11	o	CONNECTOR, FFC/FPC 50P
CN1002	1-691-491-21	s	CONNECTOR, FFC/FPC 12P
CN2001	1-770-627-21	s	PIN, CONNECTOR 10P
D1001	8-719-045-61	s	DIODE SEC1901C
D1002	8-719-941-86	s	DIODE DAN202U
FB1001	1-400-150-11	s	FERRITE, EMI (SMD)
FB1002	1-414-921-11	s	INDUCTOR, FERRITE BEAD
FB1003	1-414-921-11	s	INDUCTOR, FERRITE BEAD
FB1004	1-414-921-11	s	INDUCTOR, FERRITE BEAD
FB1006	1-414-921-11	s	INDUCTOR, FERRITE BEAD
FB1007	1-414-921-11	s	INDUCTOR, FERRITE BEAD
FB1008	1-414-921-11	s	INDUCTOR, FERRITE BEAD
FB1009	1-414-921-11	s	INDUCTOR, FERRITE BEAD
FB1013	1-414-921-11	s	INDUCTOR, FERRITE BEAD
FB1014	1-414-921-11	s	INDUCTOR, FERRITE BEAD
FB1016	1-414-921-11	s	INDUCTOR, FERRITE BEAD
FB1017	1-414-921-11	s	INDUCTOR, FERRITE BEAD
FB1019	1-414-921-11	s	INDUCTOR, FERRITE BEAD
FB2001	1-414-921-11	s	INDUCTOR, FERRITE BEAD
FB2002	1-469-670-11	o	FERRITE, EMI (SMD)
FB2003	1-414-921-11	s	INDUCTOR, FERRITE BEAD
FB3001	1-414-921-11	s	INDUCTOR, FERRITE BEAD
FB3002	1-414-921-11	s	INDUCTOR, FERRITE BEAD
FB3003	1-414-921-11	s	INDUCTOR, FERRITE BEAD
IC1002	6-700-953-01	s	IC LM1117MPX-1.8
IC1004	8-759-331-27	s	IC MM1096AFF
IC1005	6-702-607-01	s	IC MB93491
IC1006	8-759-661-55	s	IC ST24FC21M6TR
IC1007	8-759-665-50	s	IC AK4352VT-E2

(MS BOARD)(VPL-CX5)

Ref. No. or Q'ty	Part No.	SP	Description
IC1012	8-759-082-60	s	IC TC7S66FU
IC1013	8-759-082-60	s	IC TC7S66FU
IC1014	8-759-575-16	s	IC LMC7101BIM5X
IC1015	8-759-575-16	s	IC LMC7101BIM5X
IC3001	8-759-831-90	s	IC MT48LC8M16A2TG-75
IC3002	8-759-831-90	s	IC MT48LC8M16A2TG-75
IC3003	6-802-188-01	s	IC MBM29LV160BE-90TN-MS1735
IC3004	6-702-812-11	s	IC CY27027ZZCT
L1001	1-414-770-91	s	INDUCTOR 4.7UH
L3001	1-469-058-11	s	INDUCTOR 22UH
Q1001	8-729-013-28	s	TRANSISTOR HN1B01FU-TE85R
Q1002	8-729-026-53	s	TRANSISTOR 2SA1576A-T106-QR
Q1005	8-729-026-53	s	TRANSISTOR 2SA1576A-T106-QR
Q1006	8-729-028-91	s	TRANSISTOR DTA144EUA-T106
Q1007	8-729-029-14	s	TRANSISTOR DTC144EUA-T106
Q2001	8-729-013-28	s	TRANSISTOR HN1B01FU-TE85R
R1005	1-218-961-11	s	RESISTOR, CHIP 4.7K 1/16W
R1006	1-218-961-11	s	RESISTOR, CHIP 4.7K 1/16W
R1007	1-218-965-11	s	RESISTOR, CHIP 10K 1/16W
R1008	1-218-989-11	s	RESISTOR,CHIP 1M 1/16W (1005)
R1009	1-208-643-11	s	RESISTOR CHIP 22 1/16W (1005)
R1010	1-218-965-11	s	RESISTOR, CHIP 10K 1/16W
R1011	1-218-965-11	s	RESISTOR, CHIP 10K 1/16W
R1012	1-218-990-11	s	RESISTOR,CHIP 0 1/16W (1005)
R1013	1-218-990-11	s	RESISTOR,CHIP 0 1/16W (1005)
R1014	1-218-941-11	s	RESISTOR,CHIP 100 1/16W (1005)
R1015	1-218-965-11	s	RESISTOR, CHIP 10K 1/16W
R1016	1-218-945-11	s	RESISTOR,CHIP 220 1/16W(1005)
R1017	1-218-961-11	s	RESISTOR, CHIP 4.7K 1/16W
R1018	1-218-961-11	s	RESISTOR, CHIP 4.7K 1/16W
R1019	1-218-965-11	s	RESISTOR, CHIP 10K 1/16W
R1020	1-208-643-11	s	RESISTOR CHIP 22 1/16W (1005)
R1021	1-208-643-11	s	RESISTOR CHIP 22 1/16W (1005)
R1022	1-218-955-11	s	RESISTOR, CHIP 1.5K
R1023	1-218-965-11	s	RESISTOR, CHIP 10K 1/16W
R1026	1-208-643-11	s	RESISTOR CHIP 22 1/16W (1005)
R1027	1-208-643-11	s	RESISTOR CHIP 22 1/16W (1005)
R1028	1-208-643-11	s	RESISTOR CHIP 22 1/16W (1005)
R1029	1-208-643-11	s	RESISTOR CHIP 22 1/16W (1005)
R1031	1-218-965-11	s	RESISTOR, CHIP 10K 1/16W
R1032	1-218-965-11	s	RESISTOR, CHIP 10K 1/16W
R1033	1-219-606-11	s	RESISTOR,CHIP 100K 1/16W(1005)
R1034	1-219-606-11	s	RESISTOR,CHIP 100K 1/16W(1005)
R1035	1-218-973-11	s	RESISTOR,CHIP 47K 1/16W (1005)
R1036	1-218-973-11	s	RESISTOR,CHIP 47K 1/16W (1005)
R1037	1-208-643-11	s	RESISTOR CHIP 22 1/16W (1005)
R1038	1-208-643-11	s	RESISTOR CHIP 22 1/16W (1005)
R1039	1-208-643-11	s	RESISTOR CHIP 22 1/16W (1005)
R1040	1-208-643-11	s	RESISTOR CHIP 22 1/16W (1005)
R1041	1-218-937-11	s	RESISTOR, CHIP 47
R1045	1-208-643-11	s	RESISTOR CHIP 22 1/16W (1005)
R1047	1-218-934-11	s	RESISTOR,CHIP 27 1/16W (1005)
R1048	1-218-934-11	s	RESISTOR,CHIP 27 1/16W (1005)
R1049	1-218-965-11	s	RESISTOR, CHIP 10K 1/16W
R1056	1-208-643-11	s	RESISTOR CHIP 22 1/16W (1005)
R1057	1-208-643-11	s	RESISTOR CHIP 22 1/16W (1005)
R1062	1-208-643-11	s	RESISTOR CHIP 22 1/16W (1005)

(MS BOARD)(VPL-CX5)

Ref. No. or Q'ty	Part No.	SP	Description
R1063	1-208-643-11	s	RESISTOR CHIP 22 1/16W (1005)
R1064	1-208-643-11	s	RESISTOR CHIP 22 1/16W (1005)
R1069	1-208-643-11	s	RESISTOR CHIP 22 1/16W (1005)
R1077	1-218-965-11	s	RESISTOR, CHIP 10K 1/16W
R1078	1-208-643-11	s	RESISTOR CHIP 22 1/16W (1005)
R1079	1-218-953-11	s	RESISTOR, CHIP 1K 1/16W
R1080	1-218-941-11	s	RESISTOR,CHIP 100 1/16W (1005)
R1081	1-219-606-11	s	RESISTOR,CHIP 100K 1/16W(1005)
R1082	1-219-606-11	s	RESISTOR,CHIP 100K 1/16W(1005)
R1083	1-218-957-11	s	RESISTOR,CHIP 2.2K 1/16W(1608)
R1084	1-218-957-11	s	RESISTOR,CHIP 2.2K 1/16W(1608)
R1085	1-218-965-11	s	RESISTOR, CHIP 10K 1/16W
R1086	1-218-965-11	s	RESISTOR, CHIP 10K 1/16W
R1087	1-218-941-11	s	RESISTOR,CHIP 100 1/16W (1005)
R1088	1-218-941-11	s	RESISTOR,CHIP 100 1/16W (1005)
R1090	1-218-953-11	s	RESISTOR, CHIP 1K 1/16W
R2001	1-218-990-11	s	RESISTOR,CHIP 0 1/16W (1005)
R2002	1-218-965-11	s	RESISTOR, CHIP 10K 1/16W
R2003	1-218-965-11	s	RESISTOR, CHIP 10K 1/16W
R2004	1-218-990-11	s	RESISTOR,CHIP 0 1/16W (1005)
R2005	1-218-990-11	s	RESISTOR,CHIP 0 1/16W (1005)
R2006	1-218-990-11	s	RESISTOR,CHIP 0 1/16W (1005)
R2007	1-218-990-11	s	RESISTOR,CHIP 0 1/16W (1005)
R2008	1-218-965-11	s	RESISTOR, CHIP 10K 1/16W
R2009	1-218-965-11	s	RESISTOR, CHIP 10K 1/16W
R2010	1-218-965-11	s	RESISTOR, CHIP 10K 1/16W
R2011	1-218-965-11	s	RESISTOR, CHIP 10K 1/16W
R2012	1-208-643-11	s	RESISTOR CHIP 22 1/16W (1005)
R2013	1-218-937-11	s	RESISTOR, CHIP 47
R2014	1-208-643-11	s	RESISTOR CHIP 22 1/16W (1005)
R2015	1-218-965-11	s	RESISTOR, CHIP 10K 1/16W
R2016	1-218-961-11	s	RESISTOR, CHIP 4.7K 1/16W
R2017	1-218-941-11	s	RESISTOR,CHIP 100 1/16W (1005)
R2018	1-218-965-11	s	RESISTOR, CHIP 10K 1/16W
R2019	1-208-643-11	s	RESISTOR CHIP 22 1/16W (1005)
R2020	1-208-643-11	s	RESISTOR CHIP 22 1/16W (1005)
R2021	1-208-643-11	s	RESISTOR CHIP 22 1/16W (1005)
R2022	1-208-643-11	s	RESISTOR CHIP 22 1/16W (1005)
R2023	1-208-643-11	s	RESISTOR CHIP 22 1/16W (1005)
R2024	1-208-643-11	s	RESISTOR CHIP 22 1/16W (1005)
R2025	1-218-965-11	s	RESISTOR, CHIP 10K 1/16W
R2026	1-218-965-11	s	RESISTOR, CHIP 10K 1/16W
R2027	1-218-941-11	s	RESISTOR,CHIP 100 1/16W (1005)
R3001	1-218-990-11	s	RESISTOR,CHIP 0 1/16W (1005)
R3002	1-218-990-11	s	RESISTOR,CHIP 0 1/16W (1005)
R3003	1-208-643-11	s	RESISTOR CHIP 22 1/16W (1005)
R3004	1-208-643-11	s	RESISTOR CHIP 22 1/16W (1005)
R3005	1-208-643-11	s	RESISTOR CHIP 22 1/16W (1005)
R3006	1-218-941-11	s	RESISTOR,CHIP 100 1/16W (1005)
R3007	1-208-643-11	s	RESISTOR CHIP 22 1/16W (1005)
R3008	1-218-937-11	s	RESISTOR, CHIP 47
R3009	1-218-937-11	s	RESISTOR, CHIP 47
R3010	1-218-937-11	s	RESISTOR, CHIP 47
R3011	1-218-990-11	s	RESISTOR,CHIP 0 1/16W (1005)
R3012	1-218-990-11	s	RESISTOR,CHIP 0 1/16W (1005)
RB1001	1-234-370-11	s	RES, NETWORK 22X4 (1005)
RB1002	1-234-370-11	s	RES, NETWORK 22X4 (1005)
RB1003	1-234-370-11	s	RES, NETWORK 22X4 (1005)
RB1004	1-234-370-11	s	RES, NETWORK 22X4 (1005)

(MS BOARD)(VPL-CX5)

Ref. No. or Q'ty	Part No.	SP	Description
RB1006	1-234-370-11	s	RES, NETWORK 22X4 (1005)
RB1007	1-234-370-11	s	RES, NETWORK 22X4 (1005)
RB1008	1-234-370-11	s	RES, NETWORK 22X4 (1005)
RB1009	1-234-370-11	s	RES, NETWORK 22X4 (1005)
RB1010	1-234-370-11	s	RES, NETWORK 22X4 (1005)
RB1011	1-234-370-11	s	RES, NETWORK 22X4 (1005)
RB1012	1-234-370-11	s	RES, NETWORK 22X4 (1005)
RB1013	1-234-370-11	s	RES, NETWORK 22X4 (1005)
RB1014	1-234-370-11	s	RES, NETWORK 22X4 (1005)
RB1015	1-234-370-11	s	RES, NETWORK 22X4 (1005)
RB1016	1-234-371-11	s	RES, NETWORK 47X4 (1005)
RB1017	1-234-371-11	s	RES, NETWORK 47X4 (1005)
RB1018	1-234-371-11	s	RES, NETWORK 47X4 (1005)
RB1019	1-234-371-11	s	RES, NETWORK 47X4 (1005)
RB1020	1-234-371-11	s	RES, NETWORK 47X4 (1005)
RB1021	1-234-370-11	s	RES, NETWORK 22X4 (1005)
RB1022	1-234-370-11	s	RES, NETWORK 22X4 (1005)
RB2001	1-234-378-11	s	RES, NETWORK 10KX4 (1005)
RB2002	1-234-378-11	s	RES, NETWORK 10KX4 (1005)
RB2003	1-234-378-11	s	RES, NETWORK 10KX4 (1005)
RB2004	1-234-378-11	s	RES, NETWORK 10KX4 (1005)
RB2005	1-234-378-11	s	RES, NETWORK 10KX4 (1005)
RB2006	1-234-378-11	s	RES, NETWORK 10KX4 (1005)
RB2007	1-234-378-11	s	RES, NETWORK 10KX4 (1005)
RB2008	1-234-378-11	s	RES, NETWORK 10KX4 (1005)
RB2009	1-234-378-11	s	RES, NETWORK 10KX4 (1005)
RB3001	1-234-371-11	s	RES, NETWORK 47X4 (1005)
RB3002	1-234-371-11	s	RES, NETWORK 47X4 (1005)
RB3003	1-234-371-11	s	RES, NETWORK 47X4 (1005)
RB3004	1-234-371-11	s	RES, NETWORK 47X4 (1005)
RB3005	1-234-371-11	s	RES, NETWORK 47X4 (1005)
RB3006	1-234-371-11	s	RES, NETWORK 47X4 (1005)
RB3007	1-234-371-11	s	RES, NETWORK 47X4 (1005)
RB3008	1-234-371-11	s	RES, NETWORK 47X4 (1005)
RB3009	1-234-371-11	s	RES, NETWORK 47X4 (1005)
RB3010	1-234-371-11	s	RES, NETWORK 47X4 (1005)
RB3011	1-234-371-11	s	RES, NETWORK 47X4 (1005)
RB3012	1-234-371-11	s	RES, NETWORK 47X4 (1005)
RB3013	1-234-371-11	s	RES, NETWORK 47X4 (1005)
RB3014	1-234-371-11	s	RES, NETWORK 47X4 (1005)
RB3015	1-234-371-11	s	RES, NETWORK 47X4 (1005)
RB3016	1-234-371-11	s	RES, NETWORK 47X4 (1005)
RB3017	1-234-371-11	s	RES, NETWORK 47X4 (1005)
RB3018	1-234-371-11	s	RES, NETWORK 47X4 (1005)
RB3019	1-234-371-11	s	RES, NETWORK 47X4 (1005)
RB3020	1-234-371-11	s	RES, NETWORK 47X4 (1005)
TP1001	1-535-757-11	s	CHIP, CHECKER (CONNECTOR)
TP1003	1-535-757-11	s	CHIP, CHECKER (CONNECTOR)
TP1004	1-535-757-11	s	CHIP, CHECKER (CONNECTOR)
TP1005	1-535-757-11	s	CHIP, CHECKER (CONNECTOR)
TP1006	1-535-757-11	s	CHIP, CHECKER (CONNECTOR)
TP1007	1-535-757-11	s	CHIP, CHECKER (CONNECTOR)
TP1008	1-535-757-11	s	CHIP, CHECKER (CONNECTOR)
TP1009	1-535-757-11	s	CHIP, CHECKER (CONNECTOR)
TP1010	1-535-757-11	s	CHIP, CHECKER (CONNECTOR)
TP3001	1-535-757-11	s	CHIP, CHECKER (CONNECTOR)
X3001	1-795-690-21	s	OSCILLATOR, CRYSTAL

 MSC BOARD(VPL-CS5)

Ref. No. or Q'ty	Part No.	SP	Description
1pc	A-1300-663-A	s	MOUNTED CIRCUIT BOARD, MSC(A1)
1pc	A-1300-484-A	s	MOUNTED CIRCUIT BOARD, MSC(A2)
C1307	1-164-505-11	s	CAPACITOR,CHIP CERAMIC 2.2MF
C1309	1-164-947-11	s	CAPACITOR CHIP CERAMIC 0.01MF
C1310	1-107-820-11	s	CAPACITOR,CHIP CERAMIC 0.1MF F
C1401	1-164-862-11	s	CAPACITOR,CHIP CERAMIC 33PF/16
C1402	1-164-862-11	s	CAPACITOR,CHIP CERAMIC 33PF/16
C1406	1-125-777-11	s	CAPACITOR CERAMIC 0.1MF/10V
C1409	1-125-777-11	s	CAPACITOR CERAMIC 0.1MF/10V
C1410	1-125-777-11	s	CAPACITOR CERAMIC 0.1MF/10V
C1417	1-119-667-11	s	CAPACITOR CERAMIC 22MF/10V(F)
C1418	1-125-891-11	s	CAPACITOR CERAMIC 0.47MF/10V
C1419	1-119-667-11	s	CAPACITOR CERAMIC 22MF/10V(F)
C1420	1-125-777-11	s	CAPACITOR CERAMIC 0.1MF/10V
CN1302	1-770-622-21	s	PIN, CONNECTOR 5P
CN1303	1-778-336-21	s	PIN, CONNECTOR (PC BOARD) 14P
D1402	8-719-988-61	s	DIODE 1SS355TE-17
D1405	8-719-988-61	s	DIODE 1SS355TE-17
FB1302	1-469-670-11	o	FERRITE, EMI (SMD)
FB1303	1-414-921-11	s	INDUCTOR, FERRITE BEAD
FB1304	1-414-921-11	s	INDUCTOR, FERRITE BEAD
FB1305	1-414-921-11	s	INDUCTOR, FERRITE BEAD
FB1306	1-469-670-11	o	FERRITE, EMI (SMD)
FB1307	1-414-921-11	s	INDUCTOR, FERRITE BEAD
FB1308	1-414-921-11	s	INDUCTOR, FERRITE BEAD
FB1309	1-414-921-11	s	INDUCTOR, FERRITE BEAD
FB1310	1-414-921-11	s	INDUCTOR, FERRITE BEAD
FB1311	1-414-921-11	s	INDUCTOR, FERRITE BEAD
FB1402	1-500-451-11	s	MICRO INDUCTOR (CHIP) 41P750S
IC1301	8-749-012-17	s	IC RS-140-T
IC1302	8-759-592-49	s	IC TC7SZ125FU(TE85R)
IC1402	8-759-697-26	s	IC RCV4-A1T-MASK-25
IC1510	8-759-649-33	s	IC SN74AHCT1G08DCKR
Q1403	8-729-029-14	s	TRANSISTOR DTC144EUA-T106
Q1406	8-729-013-28	s	TRANSISTOR HN1B01FU-TE85R
R1312	1-218-937-11	s	RESISTOR, CHIP 47
R1313	1-218-937-11	s	RESISTOR, CHIP 47
R1314	1-218-937-11	s	RESISTOR, CHIP 47
R1315	1-218-941-11	s	RESISTOR,CHIP 100 1/16W (1005)
R1316	1-218-937-11	s	RESISTOR, CHIP 47
R1317	1-218-973-11	s	RESISTOR,CHIP 47K 1/16W (1005)
R1318	1-218-965-11	s	RESISTOR, CHIP 10K 1/16W
R1320	1-218-937-11	s	RESISTOR, CHIP 47
R1403	1-218-990-11	s	RESISTOR,CHIP 0 1/16W (1005)
R1409	1-218-989-11	s	RESISTOR,CHIP 1M 1/16W (1005)
R1415	1-218-665-11	s	RESISTOR,CHIP 75 1/16W (1608)
R1418	1-218-962-11	s	RESISTOR,CHIP 5.6K 1/16W(1005)
R1420	1-218-965-11	s	RESISTOR, CHIP 10K 1/16W
R1421	1-218-965-11	s	RESISTOR, CHIP 10K 1/16W
R1432	1-218-965-11	s	RESISTOR, CHIP 10K 1/16W
R1433	1-218-955-11	s	RESISTOR, CHIP 1.5K
R1434	1-218-965-11	s	RESISTOR, CHIP 10K 1/16W
R1436	1-218-965-11	s	RESISTOR, CHIP 10K 1/16W
R1437	1-218-953-11	s	RESISTOR, CHIP 1K 1/16W
R1440	1-218-961-11	s	RESISTOR, CHIP 4.7K 1/16W
R1443	1-218-973-11	s	RESISTOR,CHIP 47K 1/16W (1005)

(MSC BOARD)(VPL-CS5)

Ref. No. or Q'ty	Part No.	SP	Description
R1444	1-218-957-11	s	RESISTOR,CHIP 2.2K 1/16W(1608)
R1447	1-218-973-11	s	RESISTOR,CHIP 47K 1/16W (1005)
R1459	1-218-973-11	s	RESISTOR,CHIP 47K 1/16W (1005)
R1460	1-218-953-11	s	RESISTOR, CHIP 1K 1/16W
R1462	1-218-990-11	s	RESISTOR,CHIP 0 1/16W (1005)
R1463	1-218-931-11	s	RESISTOR,CHIP 15 1/16W
R1464	1-218-931-11	s	RESISTOR,CHIP 15 1/16W
X1401	1-781-994-21	s	VIBRATOR, CRYSTAL(24MHz)

 MSC BOARD(VPL-CX5)

Ref. No. or Q'ty	Part No.	SP	Description
1pc	A-1300-694-A	s	MOUNTED CIRCUIT BOARD, MSC(A3)
1pc	A-1300-749-A	s	MOUNTED CIRCUIT BOARD, MSC(A4)
C1301	1-107-820-11	s	CAPACITOR,CHIP CERAMIC 0.1MF F
C1302	1-107-820-11	s	CAPACITOR,CHIP CERAMIC 0.1MF F
C1303	1-107-820-11	s	CAPACITOR,CHIP CERAMIC 0.1MF F
C1304	1-107-820-11	s	CAPACITOR,CHIP CERAMIC 0.1MF F
C1305	1-119-667-11	s	CAPACITOR CERAMIC 22MF/10V(F)
C1306	1-107-820-11	s	CAPACITOR,CHIP CERAMIC 0.1MF F
C1307	1-164-505-11	s	CAPACITOR,CHIP CERAMIC 2.2MF
C1308	1-107-820-11	s	CAPACITOR,CHIP CERAMIC 0.1MF F
C1309	1-164-947-11	s	CAPACITOR CHIP CERAMIC 0.01MF
C1310	1-107-820-11	s	CAPACITOR,CHIP CERAMIC 0.1MF F
C1401	1-164-862-11	s	CAPACITOR,CHIP CERAMIC 33PF/16
C1402	1-164-862-11	s	CAPACITOR,CHIP CERAMIC 33PF/16
C1403	1-119-667-11	s	CAPACITOR CERAMIC 22MF/10V(F)
C1404	1-125-777-11	s	CAPACITOR CERAMIC 0.1MF/10V
C1405	1-164-943-11	s	CAPACITOR,CHIP CERAMIC 0.01MF
C1406	1-125-777-11	s	CAPACITOR CERAMIC 0.1MF/10V
C1407	1-125-777-11	s	CAPACITOR CERAMIC 0.1MF/10V
C1408	1-125-777-11	s	CAPACITOR CERAMIC 0.1MF/10V
C1409	1-125-777-11	s	CAPACITOR CERAMIC 0.1MF/10V
C1410	1-125-777-11	s	CAPACITOR CERAMIC 0.1MF/10V
C1411	1-125-777-11	s	CAPACITOR CERAMIC 0.1MF/10V
C1412	1-125-777-11	s	CAPACITOR CERAMIC 0.1MF/10V
C1413	1-125-777-11	s	CAPACITOR CERAMIC 0.1MF/10V
C1414	1-125-777-11	s	CAPACITOR CERAMIC 0.1MF/10V
C1415	1-164-850-11	s	CAPACITOR,CERAMIC 10PF/16V CH
C1416	1-164-850-11	s	CAPACITOR,CERAMIC 10PF/16V CH
C1417	1-119-667-11	s	CAPACITOR CERAMIC 22MF/10V(F)
C1418	1-125-891-11	s	CAPACITOR CERAMIC 0.47MF/10V
C1419	1-119-667-11	s	CAPACITOR CERAMIC 22MF/10V(F)
C1420	1-125-777-11	s	CAPACITOR CERAMIC 0.1MF/10V
C1422	1-164-862-11	s	CAPACITOR,CHIP CERAMIC 33PF/16
C1423	1-164-862-11	s	CAPACITOR,CHIP CERAMIC 33PF/16
C1424	1-125-777-11	s	CAPACITOR CERAMIC 0.1MF/10V
C1425	1-125-777-11	s	CAPACITOR CERAMIC 0.1MF/10V
C1427	1-164-943-11	s	CAPACITOR,CHIP CERAMIC 0.01MF
C1428	1-125-777-11	s	CAPACITOR CERAMIC 0.1MF/10V
C1429	1-164-935-11	s	CAPACITOR,CHIP CERAMIC 470PF
C1430	1-164-935-11	s	CAPACITOR,CHIP CERAMIC 470PF
CN1301	1-691-491-21	s	CONNECTOR, FFC/FPC 12P
CN1302	1-770-622-21	s	PIN, CONNECTOR 5P
CN1303	1-778-336-21	s	PIN, CONNECTOR (PC BOARD) 14P
CN1304	1-815-368-12	s	CONNECTOR, CARD (MEMORY STICK)
D1301	8-719-078-89	s	DIODE CL-190B1-X-T
D1401	8-719-988-61	s	DIODE 1SS355TE-17
D1402	8-719-988-61	s	DIODE 1SS355TE-17
D1405	8-719-988-61	s	DIODE 1SS355TE-17
FB1301	1-469-670-11	o	FERRITE, EMI (SMD)
FB1302	1-469-670-11	o	FERRITE, EMI (SMD)
FB1303	1-414-921-11	s	INDUCTOR, FERRITE BEAD
FB1304	1-414-921-11	s	INDUCTOR, FERRITE BEAD
FB1305	1-414-921-11	s	INDUCTOR, FERRITE BEAD
FB1306	1-469-670-11	o	FERRITE, EMI (SMD)
FB1307	1-414-921-11	s	INDUCTOR, FERRITE BEAD
FB1308	1-414-921-11	s	INDUCTOR, FERRITE BEAD
FB1309	1-414-921-11	s	INDUCTOR, FERRITE BEAD
FB1310	1-414-921-11	s	INDUCTOR, FERRITE BEAD

(MSC BOARD)(VPL-CX5)

Ref. No. or Q'ty	Part No.	SP	Description
FB1311	1-414-921-11	s	INDUCTOR, FERRITE BEAD
FB1312	1-414-921-11	s	INDUCTOR, FERRITE BEAD
FB1313	1-469-670-11	o	FERRITE, EMI (SMD)
FB1401	1-500-451-11	s	MICRO INDUCTOR (CHIP) 41P750S
FB1402	1-500-451-11	s	MICRO INDUCTOR (CHIP) 41P750S
IC1301	8-749-012-17	s	IC RS-140-T
IC1302	8-759-592-49	s	IC TC7SZ125FU(TE85R)
IC1401	8-759-655-55	s	IC UPD72012GB-003-3B4
IC1402	8-759-697-26	s	IC RCV4-AIT-MASK-25
IC1403	6-701-707-01	s	IC ST72T631K4M1-201
IC1404	8-759-598-06	s	IC S-80942ANMP-DD6-T2
IC1510	8-759-649-33	s	IC SN74AHT1G08DCKR
Q1301	8-729-029-14	s	TRANSISTOR DTC144EUA-T106
Q1302	8-729-026-53	s	TRANSISTOR 2SA1576A-T106-QR
Q1303	8-729-026-53	s	TRANSISTOR 2SA1576A-T106-QR
Q1403	8-729-029-14	s	TRANSISTOR DTC144EUA-T106
Q1404	8-729-029-14	s	TRANSISTOR DTC144EUA-T106
Q1405	8-729-013-28	s	TRANSISTOR HN1B01FU-TE85R
Q1406	8-729-013-28	s	TRANSISTOR HN1B01FU-TE85R
Q1407	8-729-029-14	s	TRANSISTOR DTC144EUA-T106
Q1408	8-729-013-26	s	TRANSISTOR HN1C03FU-TE85R
R1301	1-218-965-11	s	RESISTOR, CHIP 10K 1/16W
R1302	1-218-937-11	s	RESISTOR, CHIP 47
R1304	1-218-941-11	s	RESISTOR,CHIP 100 1/16W (1005)
R1305	1-218-977-11	s	RESISTOR,CHIP 100K 1/16W(1005)
R1306	1-218-953-11	s	RESISTOR, CHIP 1K 1/16W
R1307	1-218-990-11	s	RESISTOR,CHIP 0 1/16W (1005)
R1308	1-218-990-11	s	RESISTOR,CHIP 0 1/16W (1005)
R1309	1-218-990-11	s	RESISTOR,CHIP 0 1/16W (1005)
R1310	1-218-990-11	s	RESISTOR,CHIP 0 1/16W (1005)
R1311	1-218-957-11	s	RESISTOR,CHIP 2.2K 1/16W(1608)
R1312	1-218-937-11	s	RESISTOR, CHIP 47
R1313	1-218-937-11	s	RESISTOR, CHIP 47
R1314	1-218-937-11	s	RESISTOR, CHIP 47
R1315	1-218-941-11	s	RESISTOR,CHIP 100 1/16W (1005)
R1316	1-218-937-11	s	RESISTOR, CHIP 47
R1317	1-218-973-11	s	RESISTOR,CHIP 47K 1/16W (1005)
R1318	1-218-965-11	s	RESISTOR, CHIP 10K 1/16W
R1320	1-218-937-11	s	RESISTOR,CHIP 47
R1401	1-218-965-11	s	RESISTOR, CHIP 10K 1/16W
R1402	1-218-955-11	s	RESISTOR, CHIP 1.5K
R1403	1-218-990-11	s	RESISTOR,CHIP 0 1/16W (1005)
R1404	1-218-965-11	s	RESISTOR, CHIP 10K 1/16W
R1406	1-218-931-11	s	RESISTOR,CHIP 15 1/16W
R1407	1-218-931-11	s	RESISTOR,CHIP 15 1/16W
R1408	1-218-953-11	s	RESISTOR, CHIP 1K 1/16W
R1409	1-218-989-11	s	RESISTOR,CHIP 1M 1/16W (1005)
R1410	1-218-957-11	s	RESISTOR,CHIP 2.2K 1/16W(1608)
R1411	1-218-967-11	s	RESISTOR,CHIP 15K 1/16W (1608)
R1412	1-218-967-11	s	RESISTOR,CHIP 15K 1/16W (1608)
R1413	1-218-967-11	s	RESISTOR,CHIP 15K 1/16W (1608)
R1414	1-218-967-11	s	RESISTOR,CHIP 15K 1/16W (1608)
R1415	1-218-665-11	s	RESISTOR,CHIP 75 1/16W (1608)
R1416	1-218-965-11	s	RESISTOR, CHIP 10K 1/16W
R1417	1-218-990-11	s	RESISTOR,CHIP 0 1/16W (1005)
R1418	1-218-962-11	s	RESISTOR,CHIP 5.6K 1/16W(1005)
R1419	1-218-953-11	s	RESISTOR, CHIP 1K 1/16W
R1420	1-218-965-11	s	RESISTOR, CHIP 10K 1/16W

(MSC BOARD)(VPL-CX5)

Ref. No. or Q'ty	Part No.	SP Description
R1421	1-218-965-11	s RESISTOR, CHIP 10K 1/16W
R1422	1-218-931-11	s RESISTOR,CHIP 15 1/16W
R1423	1-218-931-11	s RESISTOR,CHIP 15 1/16W
R1424	1-218-965-11	s RESISTOR, CHIP 10K 1/16W
R1425	1-218-931-11	s RESISTOR,CHIP 15 1/16W
R1426	1-218-931-11	s RESISTOR,CHIP 15 1/16W
R1427	1-218-965-11	s RESISTOR, CHIP 10K 1/16W
R1428	1-218-931-11	s RESISTOR,CHIP 15 1/16W
R1429	1-218-931-11	s RESISTOR,CHIP 15 1/16W
R1430	1-218-967-11	s RESISTOR,CHIP 15K 1/16W (1608)
R1431	1-218-967-11	s RESISTOR,CHIP 15K 1/16W (1608)
R1432	1-218-965-11	s RESISTOR, CHIP 10K 1/16W
R1433	1-218-955-11	s RESISTOR, CHIP 1.5K
R1434	1-218-965-11	s RESISTOR, CHIP 10K 1/16W
R1435	1-218-977-11	s RESISTOR,CHIP 100K 1/16W(1005)
R1436	1-218-965-11	s RESISTOR, CHIP 10K 1/16W
R1437	1-218-953-11	s RESISTOR, CHIP 1K 1/16W
R1438	1-218-977-11	s RESISTOR,CHIP 100K 1/16W(1005)
R1439	1-218-959-11	s RESISTOR, CHIP 3.3K
R1440	1-218-961-11	s RESISTOR, CHIP 4.7K 1/16W
R1441	1-218-973-11	s RESISTOR,CHIP 47K 1/16W (1005)
R1442	1-218-973-11	s RESISTOR,CHIP 47K 1/16W (1005)
R1443	1-218-973-11	s RESISTOR,CHIP 47K 1/16W (1005)
R1444	1-218-957-11	s RESISTOR,CHIP 2.2K 1/16W(1608)
R1446	1-218-969-11	s RESISTOR,CHIP 22K 1/16W (1608)
R1447	1-218-973-11	s RESISTOR,CHIP 47K 1/16W (1005)
R1448	1-218-989-11	s RESISTOR,CHIP 1M 1/16W (1005)
R1449	1-218-965-11	s RESISTOR, CHIP 10K 1/16W
R1451	1-218-990-11	s RESISTOR,CHIP 0 1/16W (1005)
R1452	1-218-955-11	s RESISTOR, CHIP 1.5K
R1453	1-218-941-11	s RESISTOR,CHIP 100 1/16W (1005)
R1454	1-218-941-11	s RESISTOR,CHIP 100 1/16W (1005)
R1455	1-218-961-11	s RESISTOR, CHIP 4.7K 1/16W
R1456	1-218-961-11	s RESISTOR, CHIP 4.7K 1/16W
R1457	1-218-973-11	s RESISTOR,CHIP 47K 1/16W (1005)
R1458	1-218-973-11	s RESISTOR,CHIP 47K 1/16W (1005)
R1459	1-218-973-11	s RESISTOR,CHIP 47K 1/16W (1005)
R1460	1-218-953-11	s RESISTOR, CHIP 1K 1/16W
X1401	1-781-994-21	s VIBRATOR, CRYSTAL(24MHz)
X1402	1-795-691-21	s VIBRATOR, CRYSTAL(4MHz)
X1403	1-781-994-21	s VIBRATOR, CRYSTAL(24MHz)

NR BOARD

Ref. No. or Q'ty	Part No.	SP Description
1pc	A-1400-718-A	s MOUNTED CIRCUIT BOARD, NR(A1/3)
1pc	A-1400-919-A	s MOUNTED CIRCUIT BOARD, NR(A2/4)
C50	1-164-505-11	s CAPACITOR,CHIP CERAMIC 2.2MF
CN50	1-770-620-21	s PIN, CONNECTOR 3P
IC50	8-749-012-17	s IC RS-140-T
R50	1-218-937-11	s RESISTOR, CHIP 47
R51	1-218-941-11	s RESISTOR,CHIP 100 1/16W (1005)

Q BOARD

Ref. No. or Q'ty	Part No.	SP Description
1pc	A-1400-717-A	s MOUNTED CIRCUIT BOARD, Q(A1/3)
1pc	A-1400-918-A	s MOUNTED CIRCUIT BOARD, Q(A2/4)
C20	1-164-217-11	s CAPACITOR,CERAMIC 150PF/50V CH
C21	1-164-217-11	s CAPACITOR,CERAMIC 150PF/50V CH
C22	1-128-004-11	s CAPACITOR ELECT 10MF/16V(CHIP)
C23	1-128-004-11	s CAPACITOR ELECT 10MF/16V(CHIP)
CN20	1-770-860-11	s CONNECTOR, S TERMINAL(S-VIDEO)
CN21	1-778-965-21	s PIN, CONNECTOR (PC BOARD) 12P
D20	8-719-036-80	s DIODE RD3.9SB
D21	8-719-036-80	s DIODE RD3.9SB
D22	8-719-036-80	s DIODE RD3.9SB
D23	8-719-158-37	s DIODE RD9.1SB2
D24	8-719-158-37	s DIODE RD9.1SB2
J20	1-566-822-21	s JACK(AUDIO IN)
J21	1-785-549-41	o JACK, PIN YELLOW(VIDEO)
L20	1-414-921-11	s INDUCTOR, FERRITE BEAD
R20	1-216-864-11	s CONDUCTOR, CHIP (1608)
R21	1-216-864-11	s CONDUCTOR, CHIP (1608)
R22	1-216-864-11	s CONDUCTOR, CHIP (1608)
R23	1-216-864-11	s CONDUCTOR, CHIP (1608)
R24	1-216-864-11	s CONDUCTOR, CHIP (1608)
R25	1-216-864-11	s CONDUCTOR, CHIP (1608)
R26	1-216-853-11	s RESISTOR,CHIP 470K 1/16W(1608)
R27	1-216-853-11	s RESISTOR,CHIP 470K 1/16W(1608)
R28	1-216-864-11	s CONDUCTOR, CHIP (1608)
R29	1-216-864-11	s CONDUCTOR, CHIP (1608)
R30	1-216-864-11	s CONDUCTOR, CHIP (1608)

 U BOARD

Ref. No. or Q'ty	Part No.	SP	Description
1pc	A-1400-720-A	s	MOUNTED CIRCUIT BOARD, U(A1/3)
1pc	A-1400-914-A	s	MOUNTED CIRCUIT BOARD, U(A2/4)
CN60	1-770-619-11	o	PIN, CONNECTOR 2P
S60	1-762-984-11	s	SWITCH, PUSH

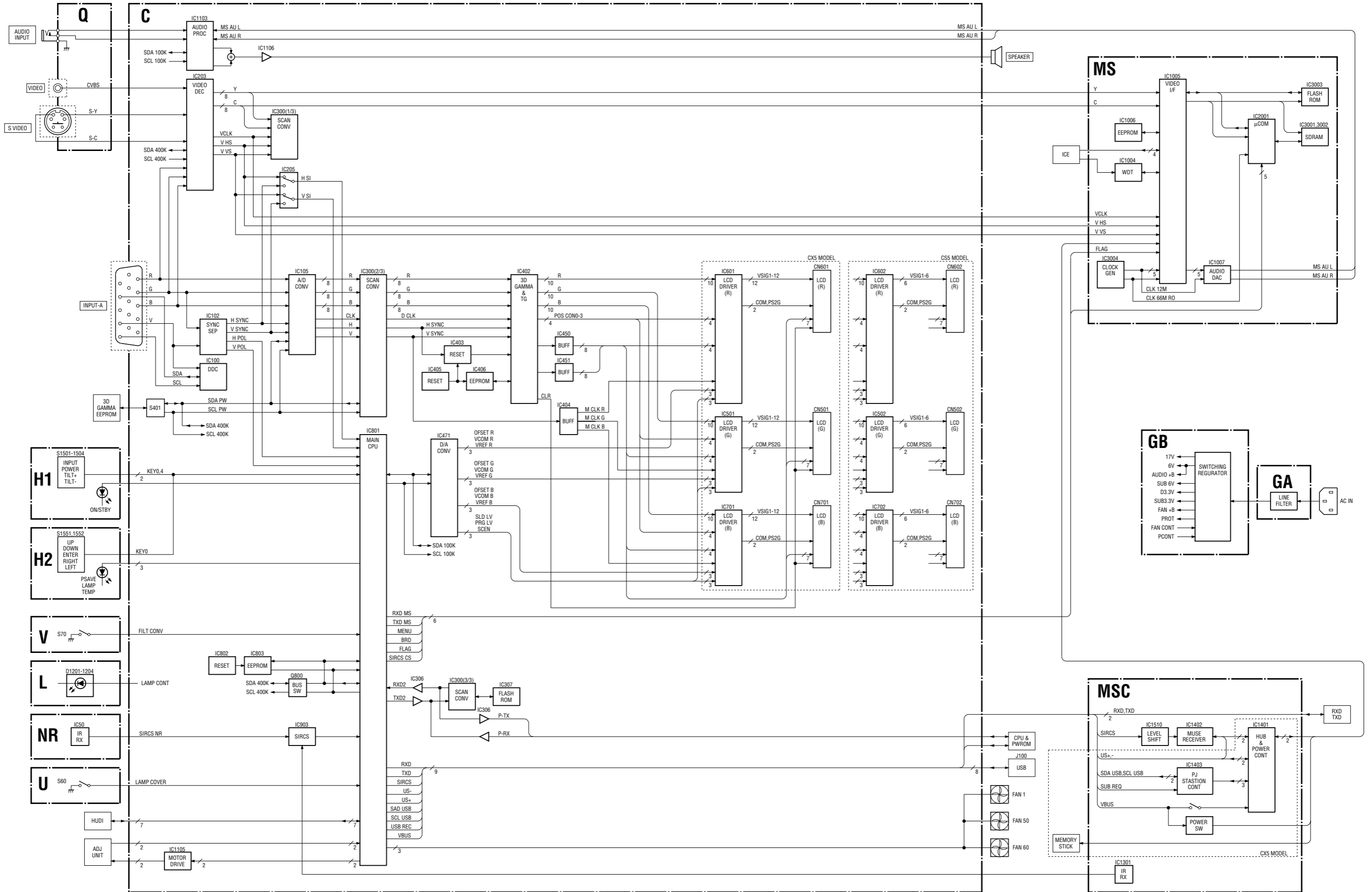
 V BOARD

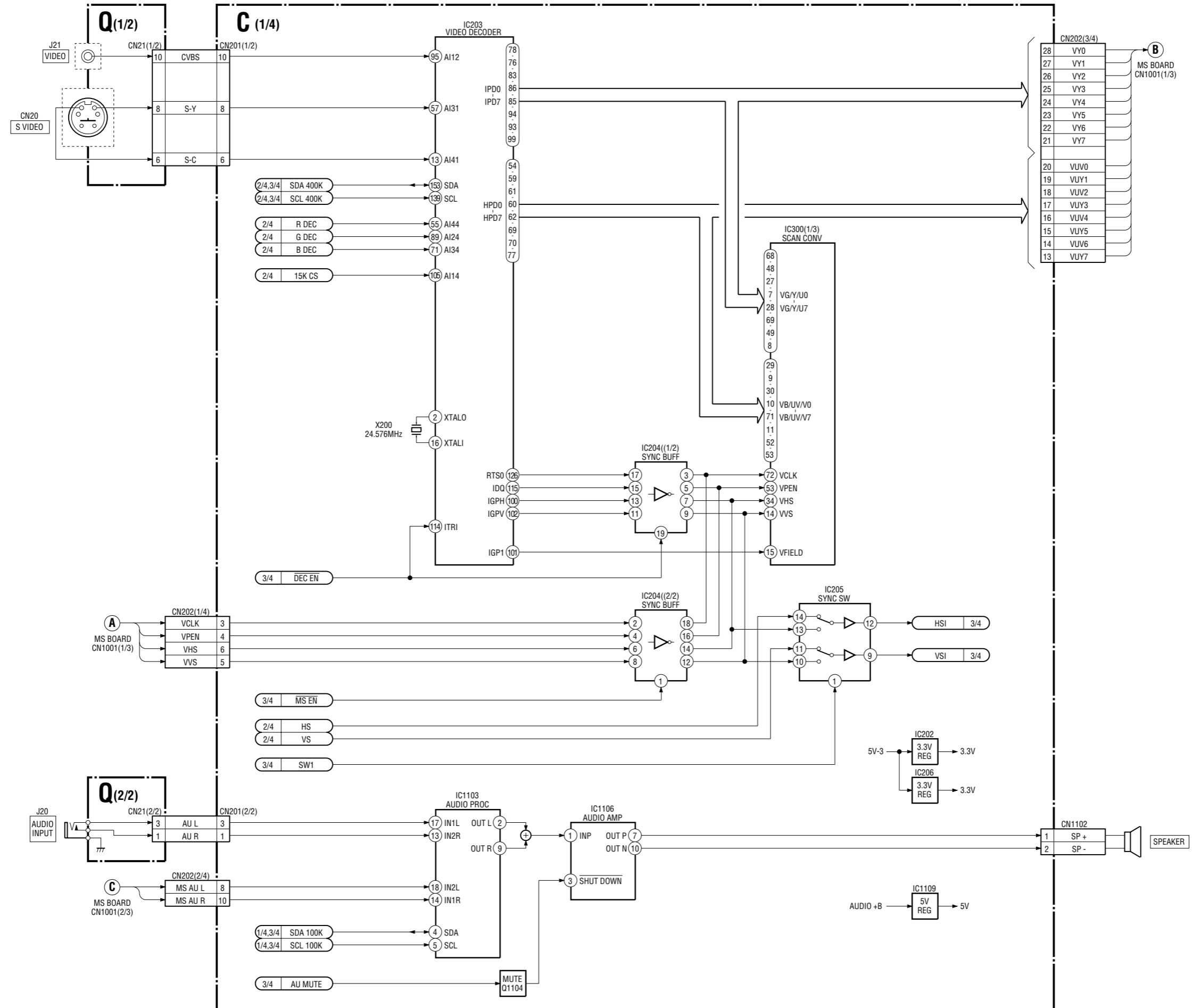
Ref. No. or Q'ty	Part No.	SP	Description
1pc	A-1400-721-A	s	MOUNTED CIRCUIT BOARD, V(A1/3)
1pc	A-1400-915-A	s	MOUNTED CIRCUIT BOARD, V(A2/4)
C70	1-164-947-11	s	CAPACITOR CHIP CERAMIC 0.01MF
CN70	1-770-621-21	s	PIN, CONNECTOR 4P
R70	1-208-699-11	s	RESISTOR,CHIP 4.7K 1/16W(1005)
S70	1-762-984-11	s	SWITCH, PUSH
TH70	1-803-382-11	s	THERMISTOR (1005)

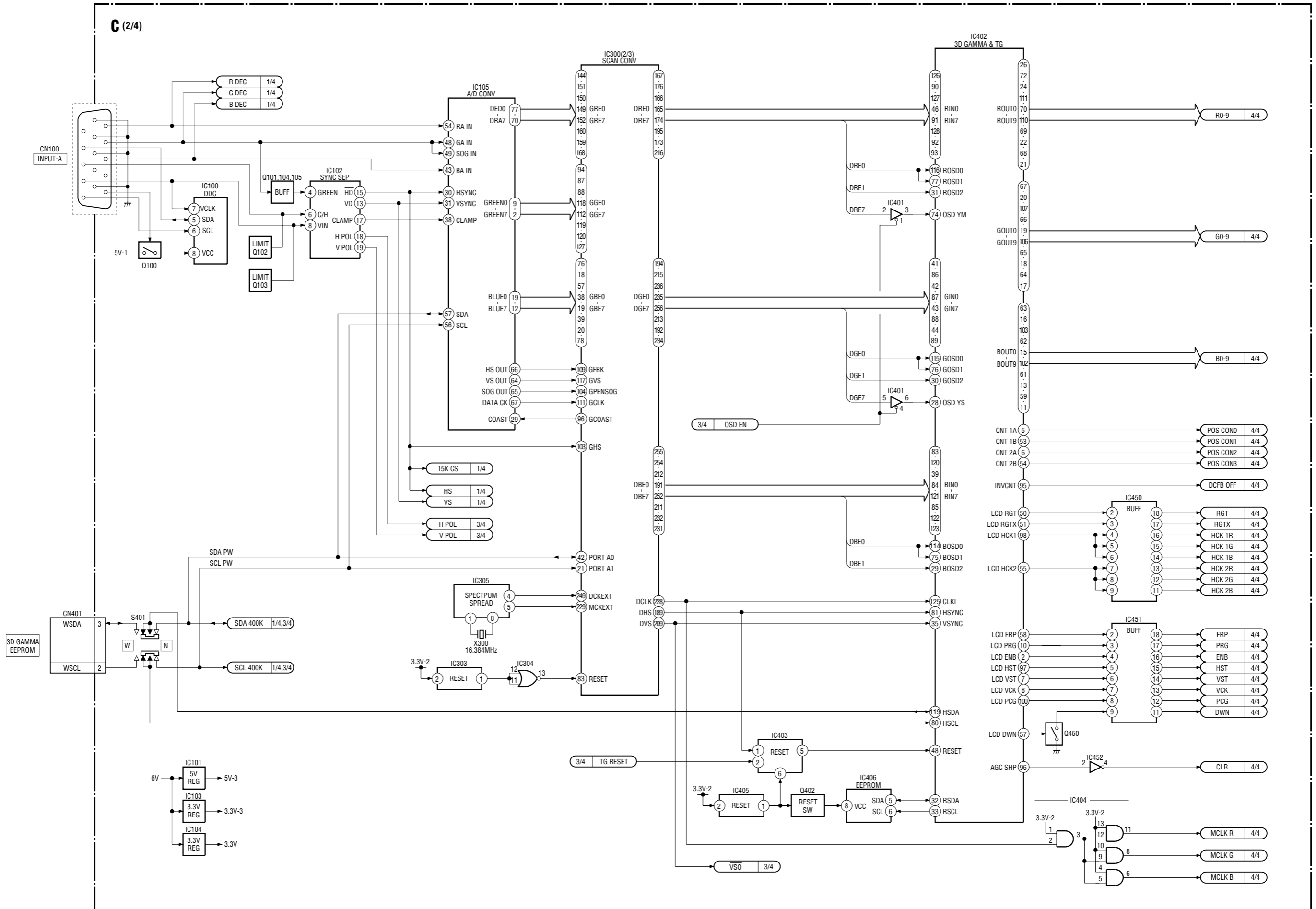
 PACKING MATERIALS & SUPPLIED ACCESSORIES

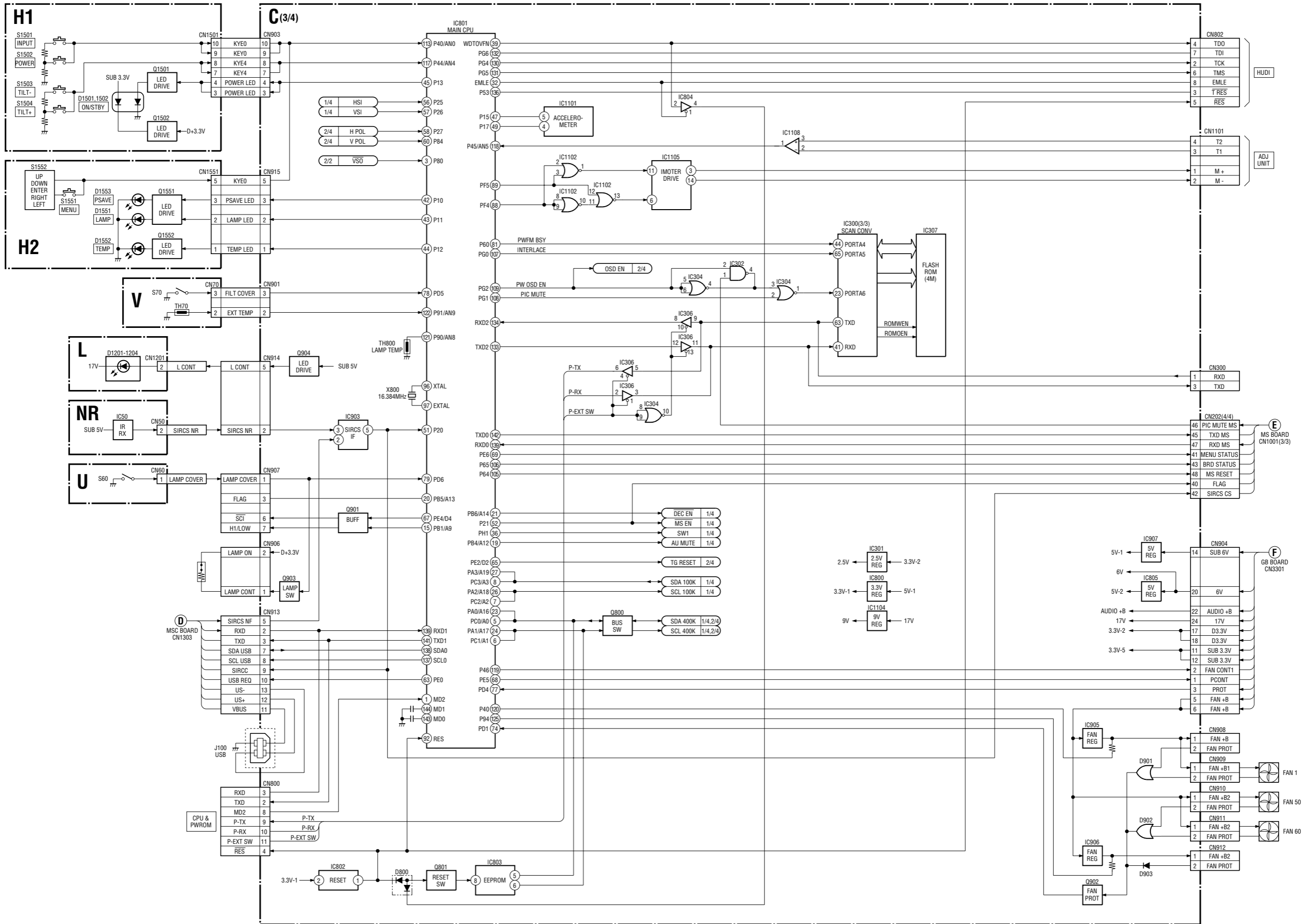
Ref. No. or Q'ty	Part No.	SP	Description
1pc	△		See 1-2-18 Warning on Power Connection(Page 1-14)
1pc	1-476-556-22	s	REMOTE COMMANDER (RM-PJM12)
1pc	9-885-005-85	s	COVER, BATTERY (FOR RM-PJM12)
1pc	1-500-386-21	s	FILTER, CLAMP (FERRITE CORE)
1pc	1-790-081-31	s	CABLE, USB
1pc	1-791-992-31	s	CABLE ASSY(15P DSUB CONNECTOR)
1pc	4-082-733-01	o	CASE, CARRYING
1pc	4-083-098-01	s	INSTRUCTION
1pc	4-090-076-01	o	OPERATING INSTRUCTIONS (JAPANESE, SIMPLIFIED CHINESE)
1pc	4-090-076-11	o	OPERATING INSTRUCTIONS (ENGLISH, FRENCH, SPANISH)
1pc	4-090-076-21	o	OPERATING INSTRUCTIONS (GERMAN, ITALIAN)
1pc	4-090-077-01	o	QUICK REFENCE CARD
1pc	4-090-336-01	o	OPERATING INSTRUCTIONS (MEMORY STICK)(VPL-CX5) (JAPANESE, SIMPLIFIED.CHINESE)
1pc	4-090-336-11	o	OPERATING INSTRUCTIONS (MEMORY STICK)(VPL-CX5) (ENGLISH, FRENCH, SPANISH)
1pc	4-090-336-21	o	OPERATING INSTRUCTIONS (MEMORY STICK)(VPL-CX5) (GERMAN, ITALIAN)

Section 5 Block Diagrams

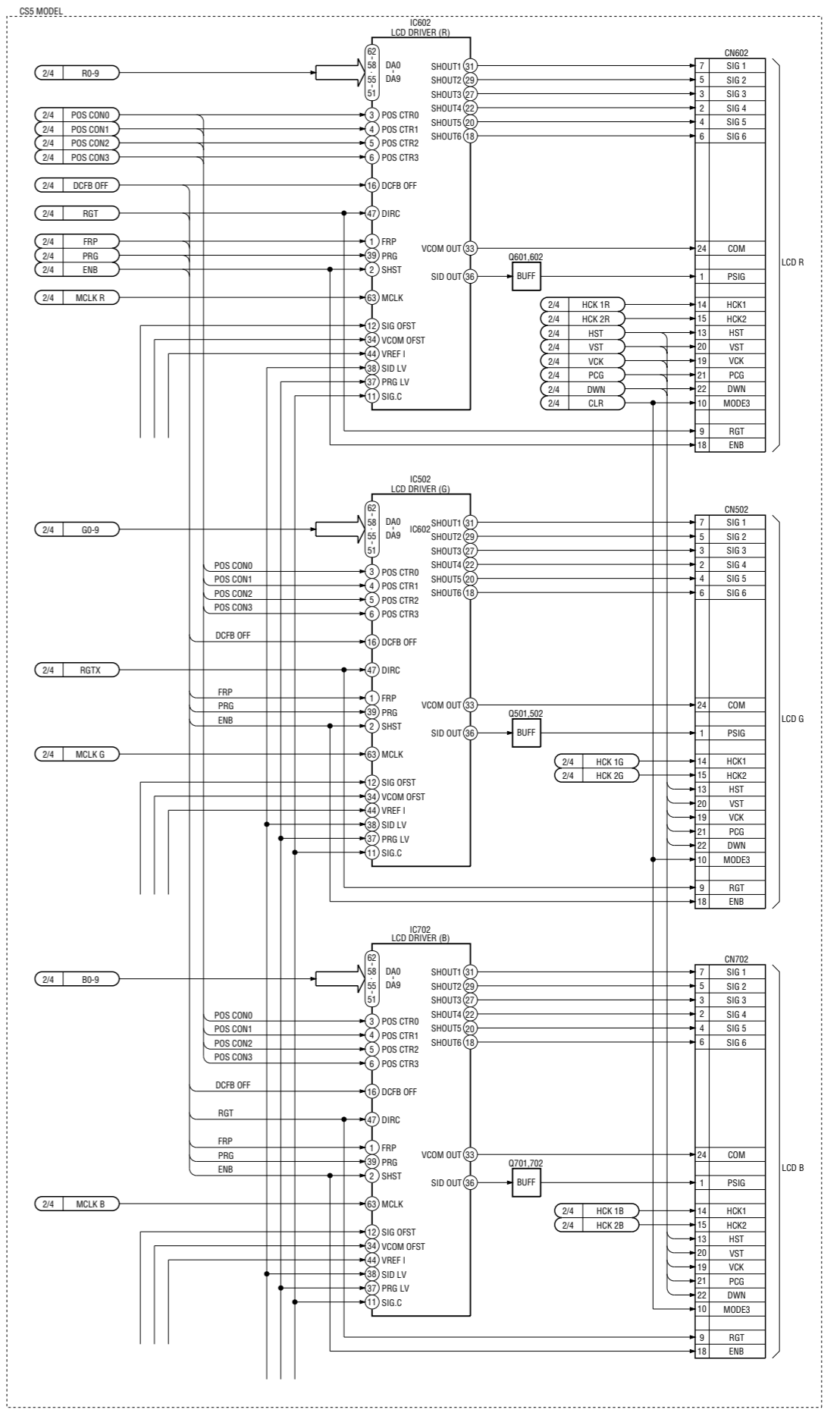
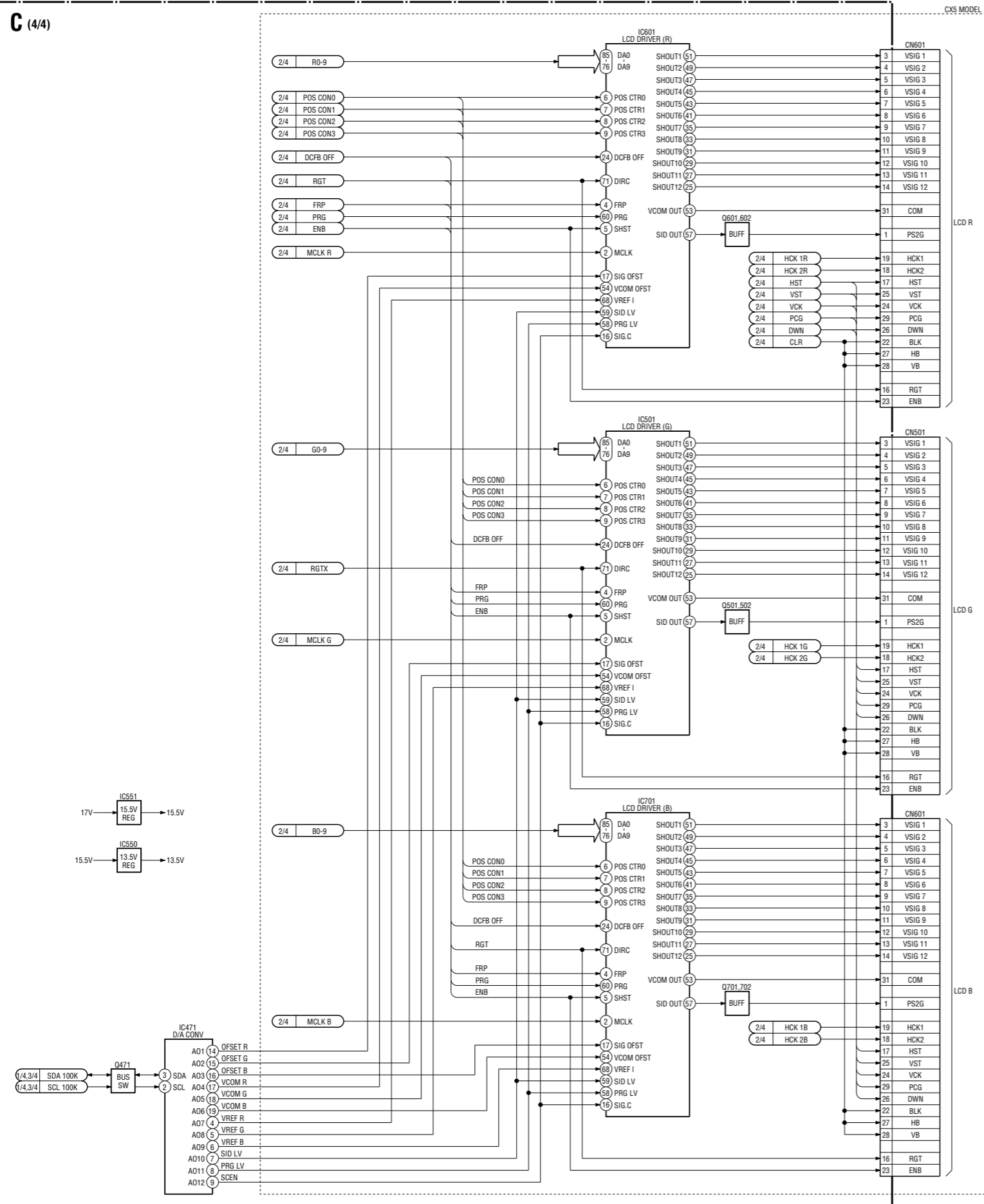


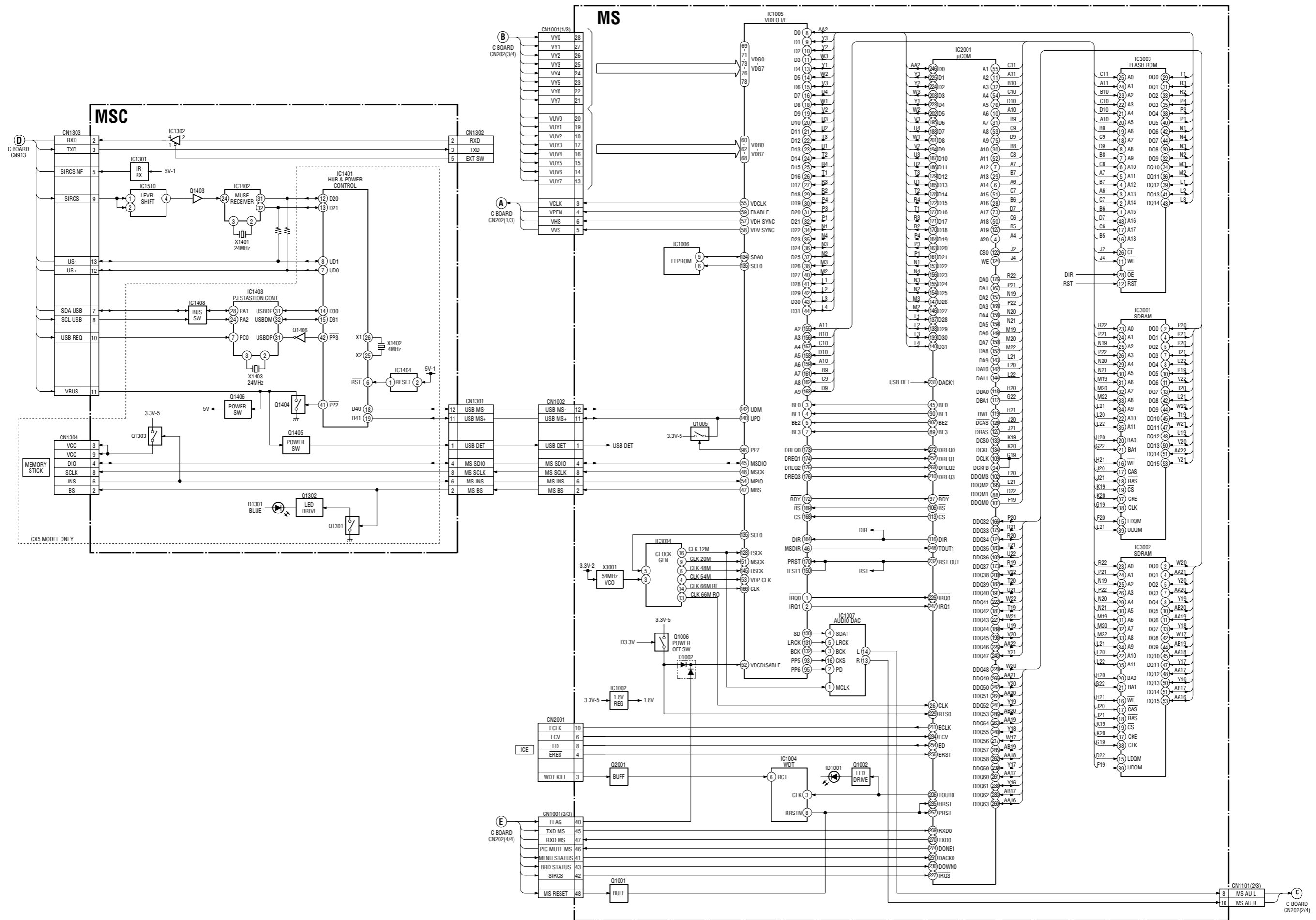


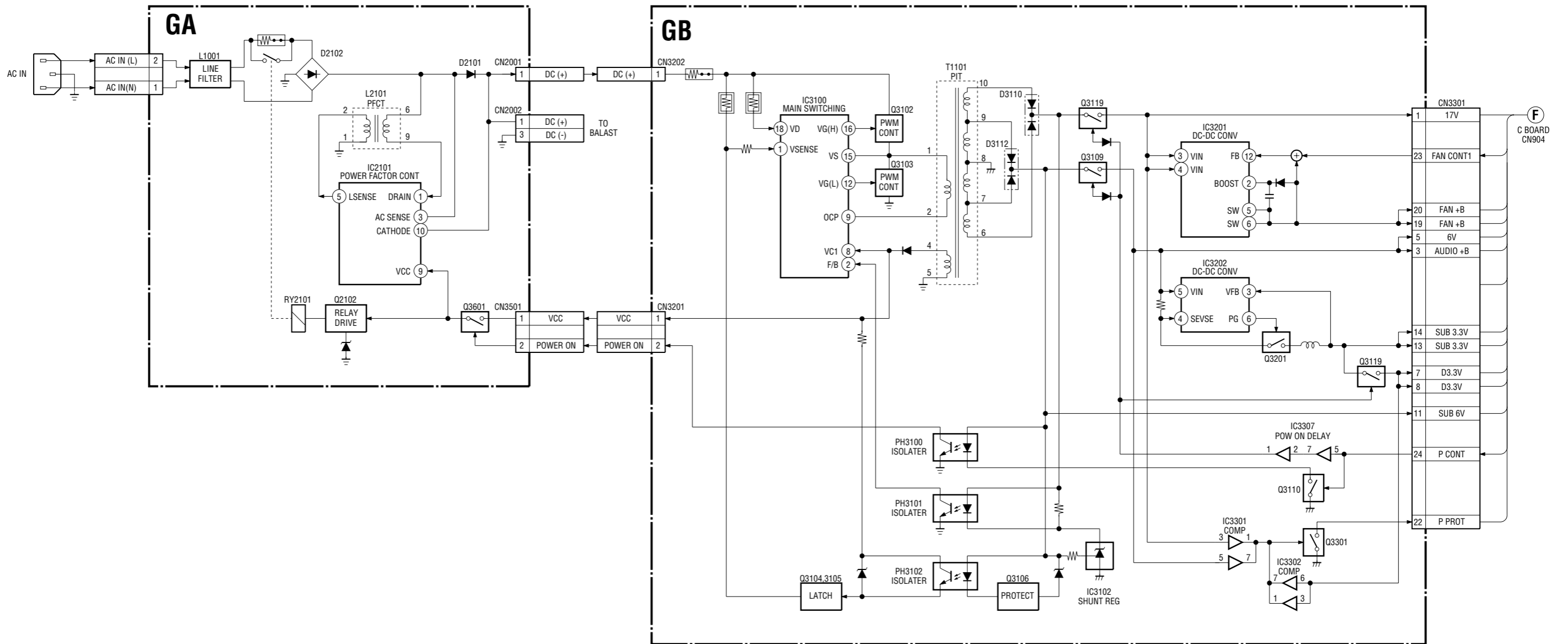




C (4/4)

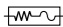








Section 6 Diagrams



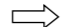
Note:

- Parts marked “ * ” differ according to the model/destination. Refer to the mount table for each function.
- The parts marked “ # ” on schematic diagrams are not mounted.
- All capacitors are in μF unless otherwise noted. pF: $\mu\mu\text{F}$ 50WV or less are not indicated except for electrolytics.
- All electrolytics are in 50 V unless otherwise specified.
-  : fusible resistor
-  : nonflammable resistor
- Δ : internal component
-  : panel designation and adjustment for repair
- Caution when replacing chip parts
New parts must be attached after removal of the chip.
Be careful not to heat the minus side of a tantalum capacitor, because it is easily damaged by the heat.

Reference information

RESISTOR	RN	: METAL FILM
	RC	: SOLID
	FPRD	: NONFLAMMABLE CARBON
	FUSE	: NONFLAMMABLE FUSIBLE
	RS	: NONFLAMMABLE METAL OXIDE
	RB	: NONFLAMMABLE CEMENT
	RW	: NONFLAMMABLE WIREWOUND
	※	: ADJUSTMENT RESISTOR
COIL	LF-8L	: MICRO INDUCTOR
CAPACITOR	TA	: TANTALUM
	PS	: STYROL
	PP	: POLYPROPYLENE
	PT	: MYLAR
	MPS	: METALIZED POLYESTER
	MPP	: METALIZED POLYPROPYLENE
	ALB	: BIPOLAR
	ALT	: HIGH TEMPERATURE
	ALR	: HIGH RIPPLE

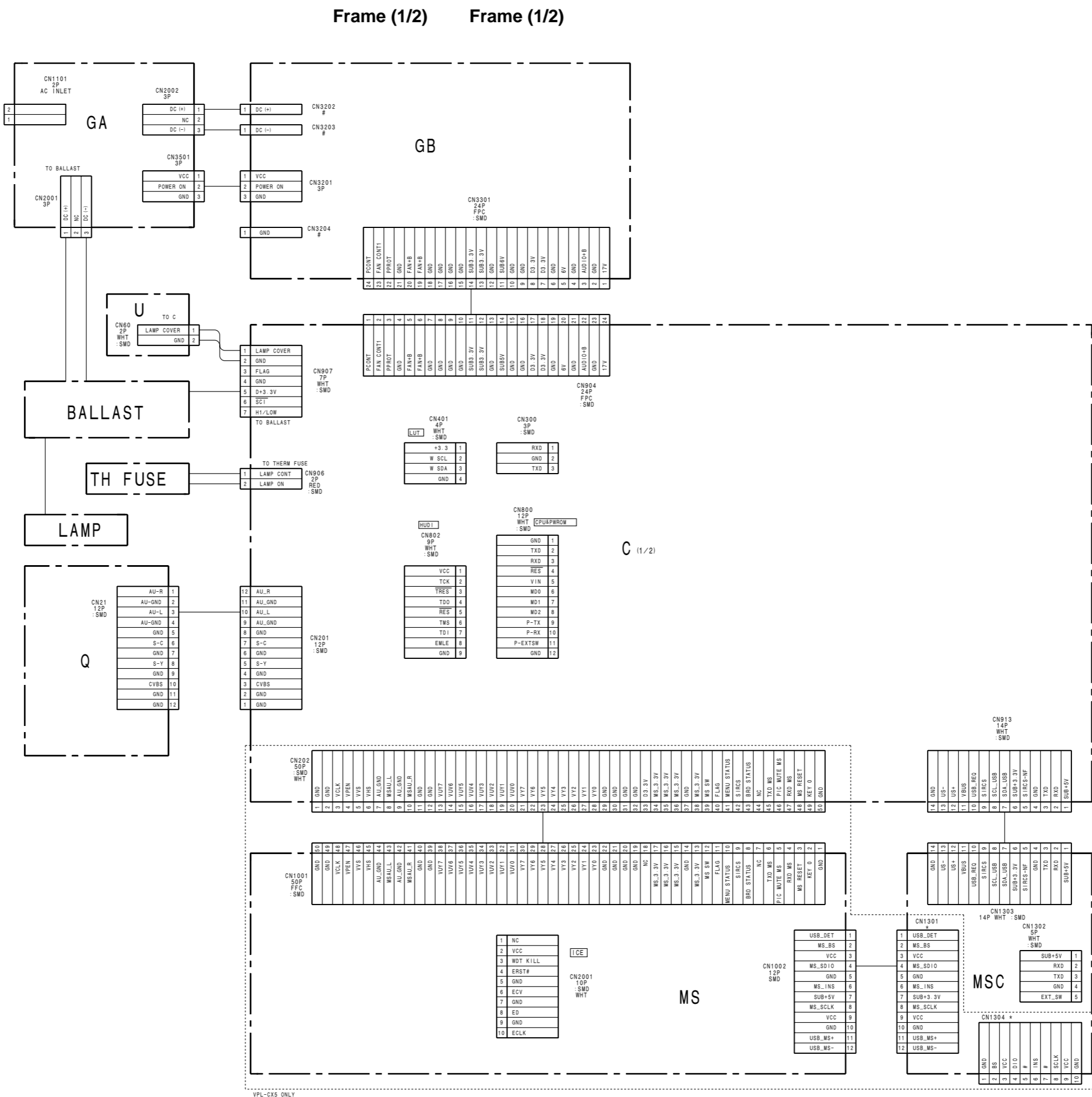
[Measuring conditions, voltage and waveform]

- A voltage value is the reference value between the measurement point and the earth, when the NTSC color bar signal is received from the color bar generator. (digital multi-meter used: 10 M ohms/ V DC)
- Unit of voltage is V (volt).
(Voltage variations may occur due to normal production tolerances.)
-  : B line
- No mark : NTSC (3.58 MHz) color bar signal.
-  : Measurement disabled.
-  : Signal path.

The components identified marked Δ are critical for safety.
Replace only with the part number specified.

Les composants identifiés par la marque Δ sont critiques pour la sécurité.
Ne les remplacer que par une pièce portant le numéro spécifié.

6-1. Frame Schematic Diagrams



Frame (1/2) Frame (1/2)

1

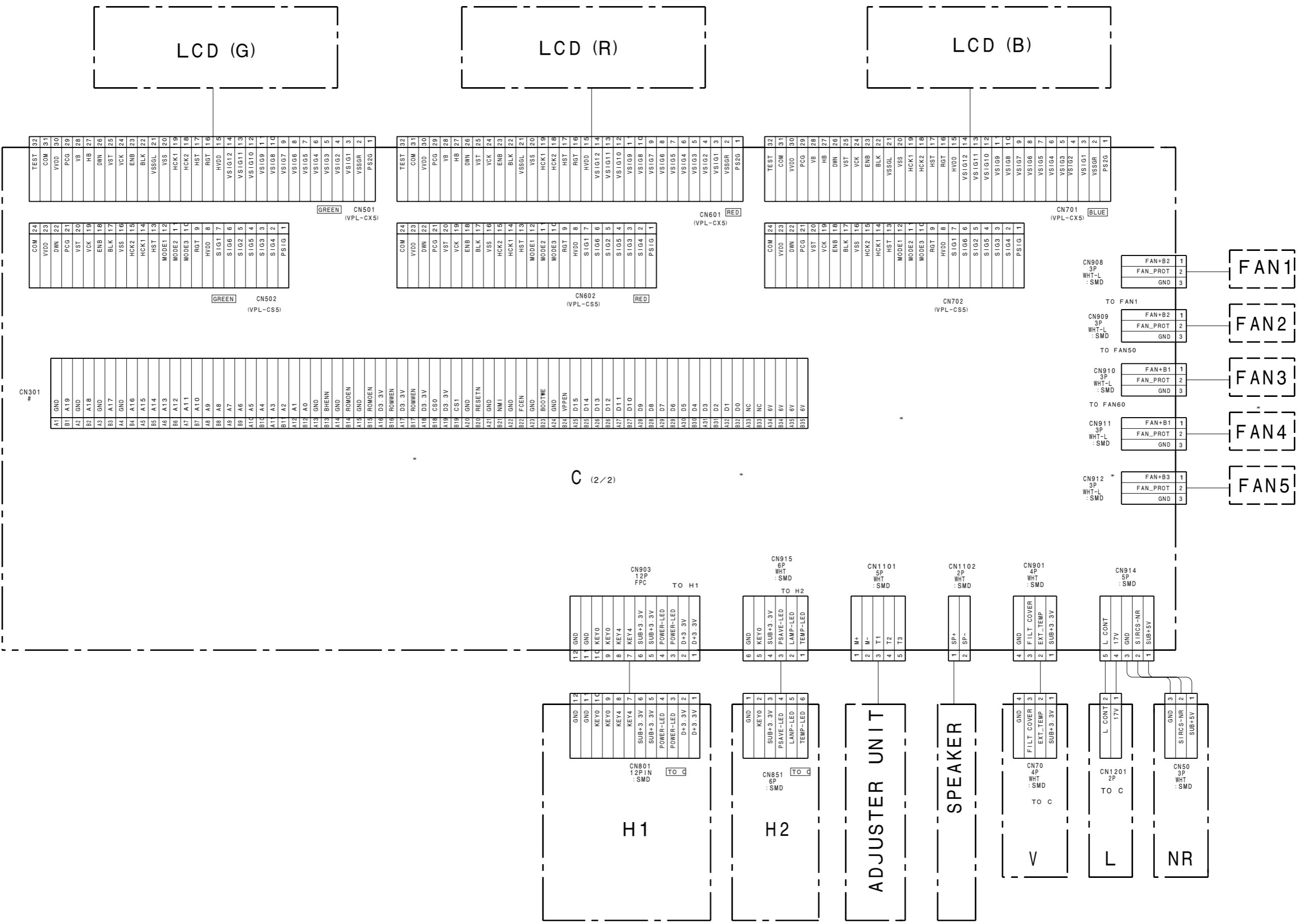
2

3

4

5

A B C D E F G H



TEST	32
COM	31
VDD	30
VDD	29
PG	28
VB	27
HB	26
DWN	25
VST	24
VCK	23
ENB	22
BLK	21
HCK1	20
HCK2	19
VSSGL	18
VSS	17
HST	16
HVDD	15
VSIG12	14
VSIG11	13
VSIG10	12
VSIG9	11
VSIG8	10
VSIG7	9
VSIG6	8
VSIG5	7
VSIG4	6
VSIG3	5
VSIG2	4
VSIG1	3
VSSGR	2
PS2G	1

COM	24
VDD	23
DWN	22
PG	21
VST	20
VCK	19
ENB	18
BLK	17
VSS	16
HCK2	15
HCK1	14
HST	13
MODE1	12
MODE2	11
MODE3	10
RGT	9
HVDD	8
SIG1	7
SIG6	6
SIG2	5
SIG5	4
SIG3	3
SIG4	2
PSIG	1

A1	GND
B1	A19
A2	GND
B2	A18
A3	GND
B3	A17
A4	GND
B4	A16
A5	A15
B5	A14
A6	A13
B6	A12
A7	A11
B7	A10
A8	A9
B8	A8
A9	A7
B9	A6
A10	A5
B10	A4
A11	A3
B11	A2
A12	A1
B12	A0
A13	GND
B13	BHEWN
A14	GND
B14	ROMOEN
A15	GND
B15	ROMOEN
A16	D3_3V
B16	ROMWEN
A17	D3_3V
B17	ROMWEN
A18	D3_3V
B18	CS0
A19	D3_3V
B19	CS1
A20	GND
B20	RESETN
A21	GND
B21	NM1
A22	GND
B22	FCEN
A23	GND
B23	BOOTME
A24	GND
B24	VFFEN
A25	D15
B25	D14
A26	D13
B26	D12
A27	D11
B27	D10
A28	D9
B28	D8
A29	D7
B29	D6
A30	D5
B30	D4
A31	D3
B31	D2
A32	D1
B32	D0
A33	NC
B33	NC
A34	6V
B34	6V
A35	6V
B35	6V

1,2	GND
1	GND
1C	KEY0
9	KEY0
8	KEY4
7	KEY4
6	SUB+3.3V
5	SUB+3.3V
4	POWER-LED
3	POWER-LED
2	D+3.3V
1	D+3.3V

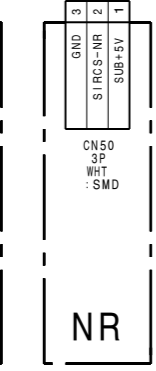
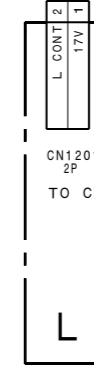
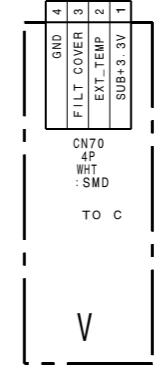
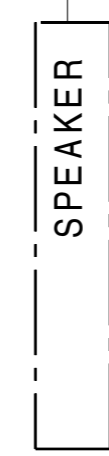
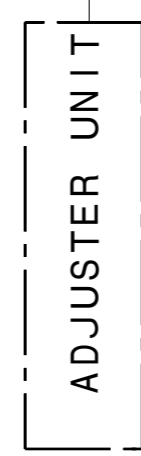
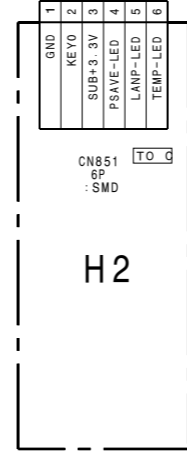
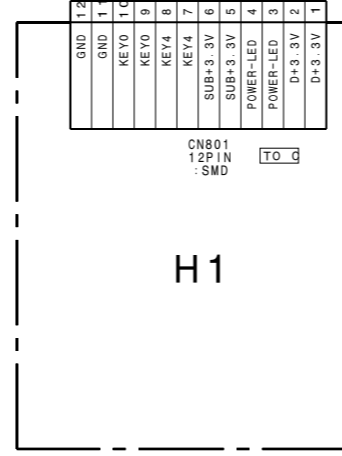
6	GND
5	KEY0
4	SUB+3.3V
3	PSAVE-LED
2	LAMP-LED
1	TEMP-LED

1	M+
2	M-
3	T1
4	T2
5	T3

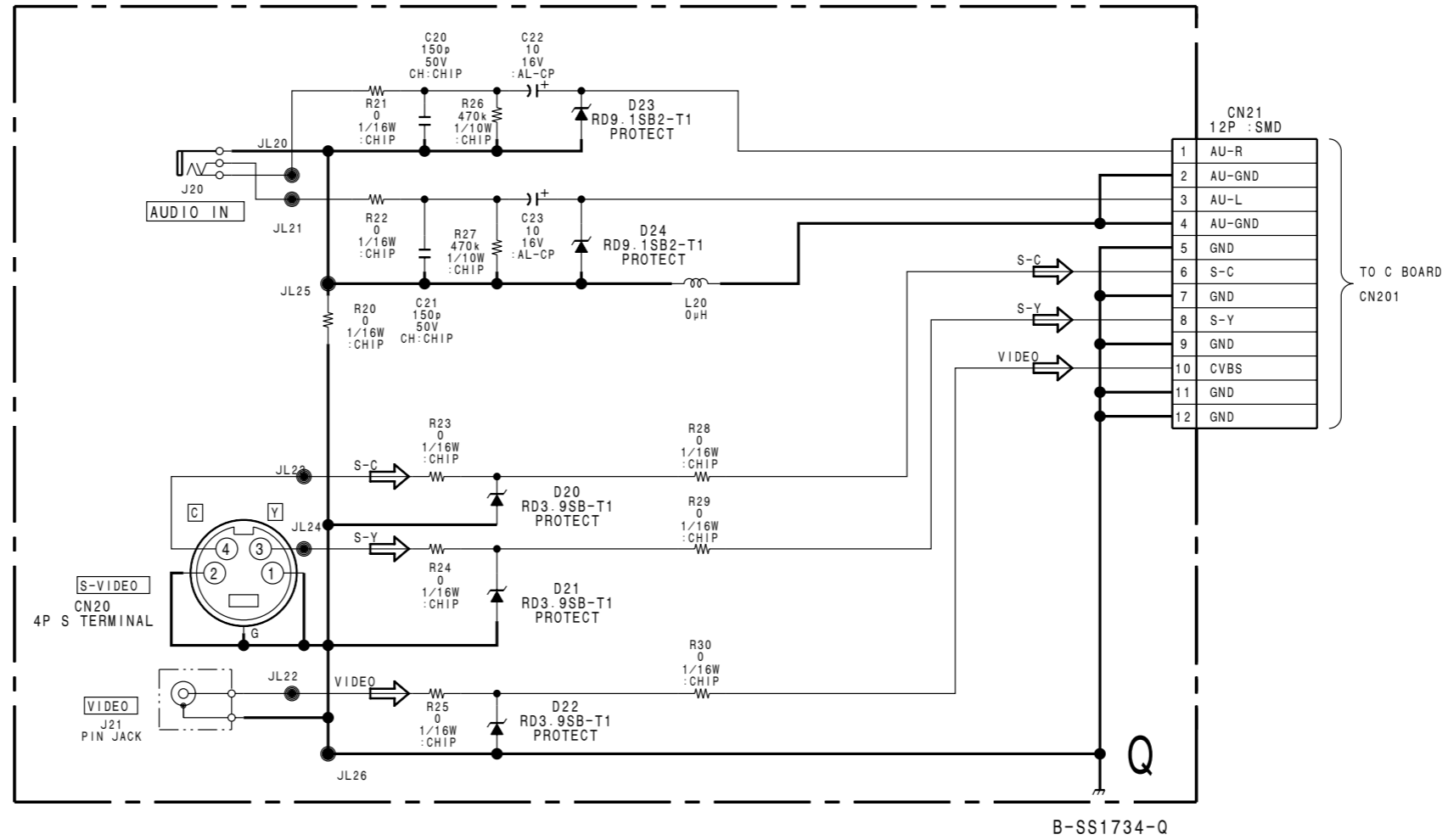
1	SP+
2	SP-

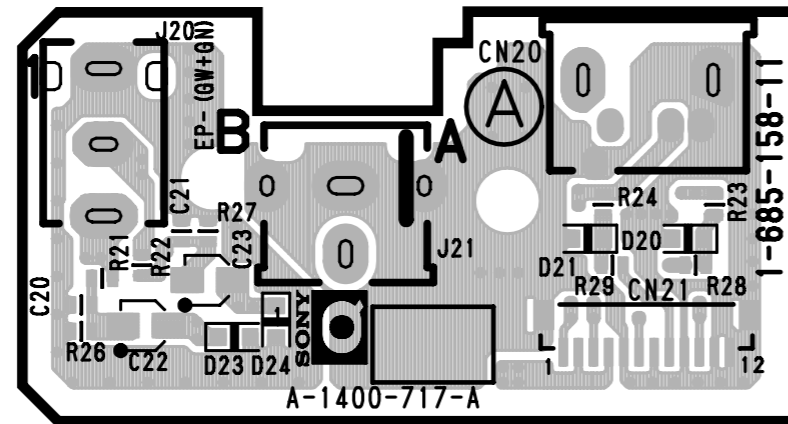
4	GND
3	FILT COVER
2	EXT_TEMP
1	SUB+3.3V

5	L CONT
4	17V
3	GND
2	SIRCS-NR
1	SUB+5V

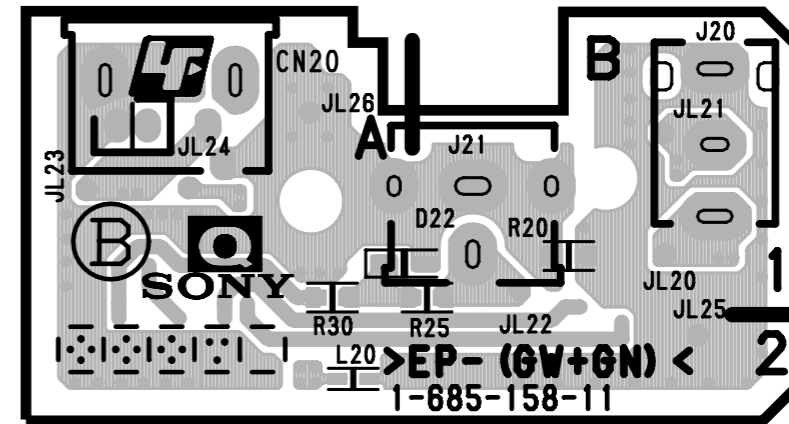


6-2. Schematic Diagrams and Printed Wiring Boards

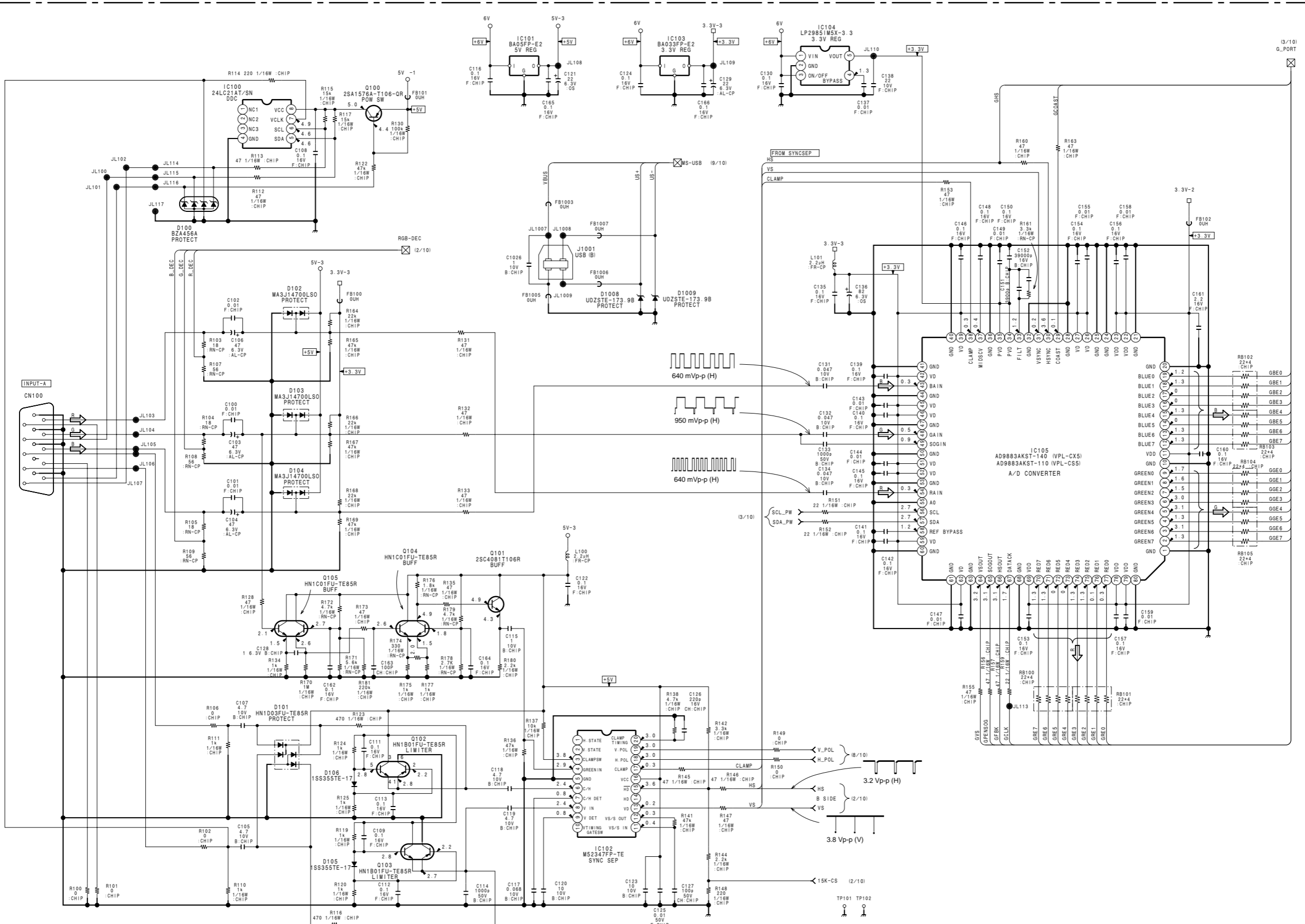




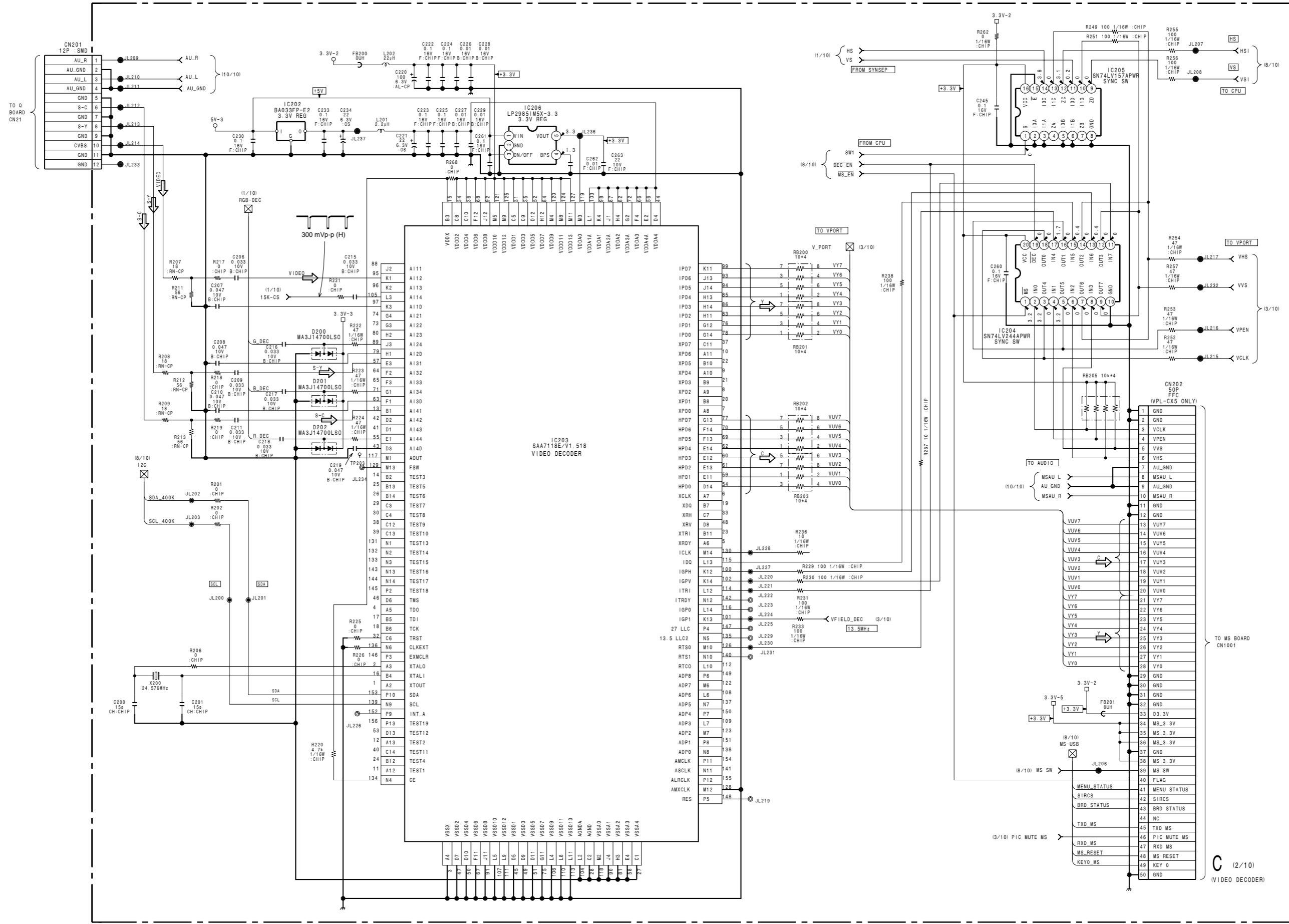
Q -A SIDE-
SUFFIX: -11



Q -B SIDE-
SUFFIX: -11



C (1/10)
(A/D CONV. SYNC GEN)



1

2

3

4

5

A

B

C

D

6-7

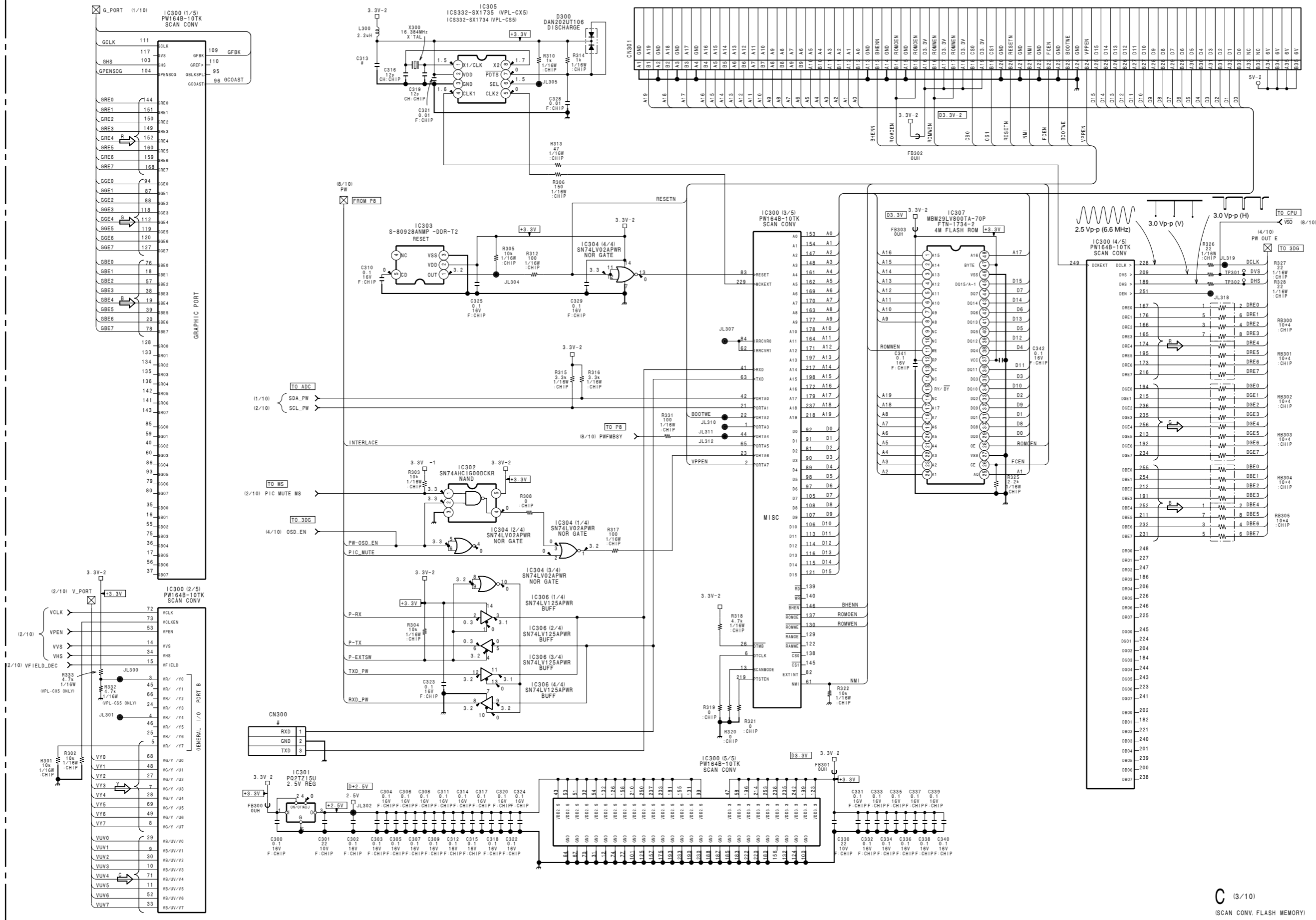
6-7

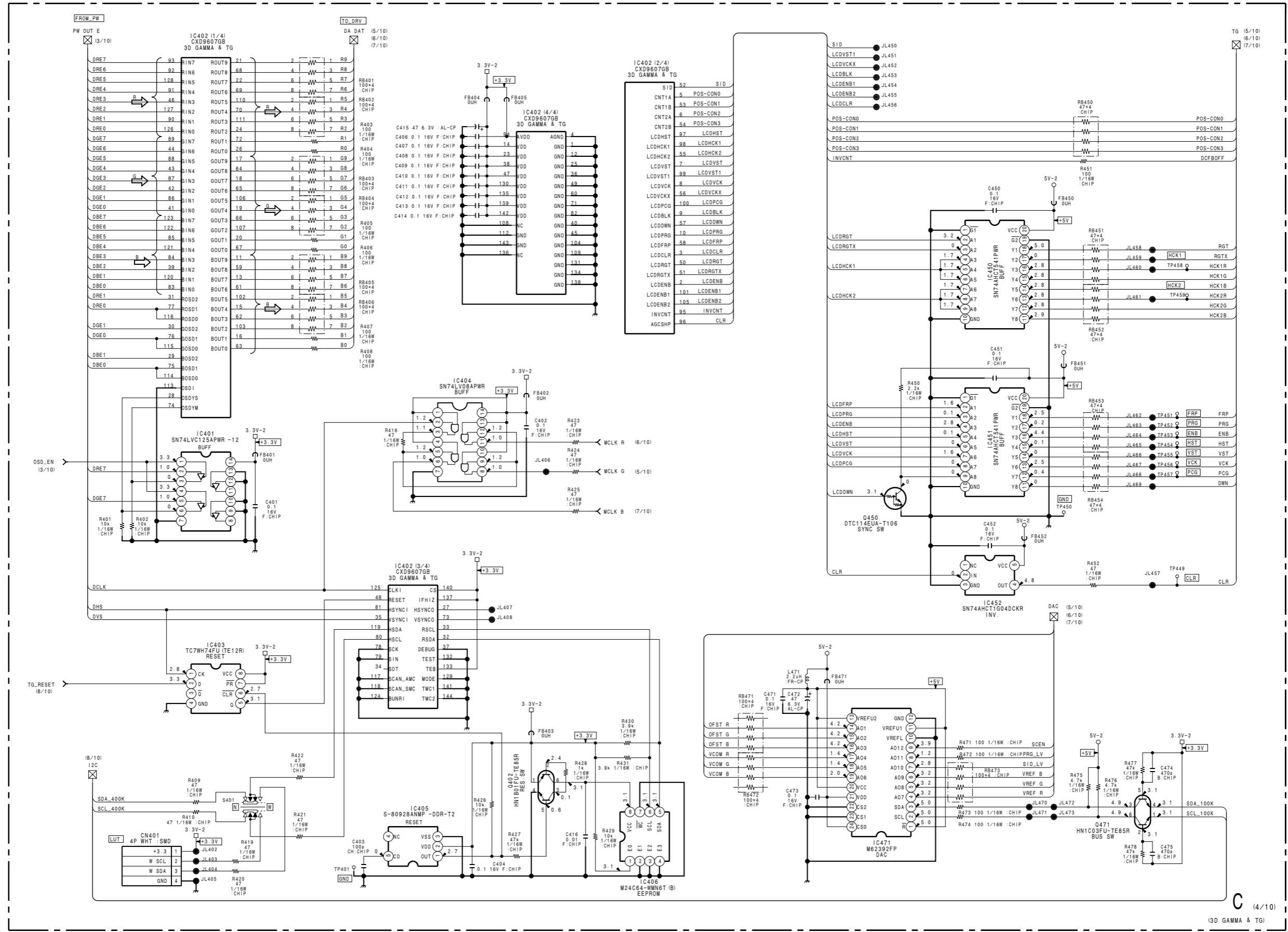
E

F

G

H





C (4/10)

(3D GAMMA & TG)

B-SS1734-C-P4

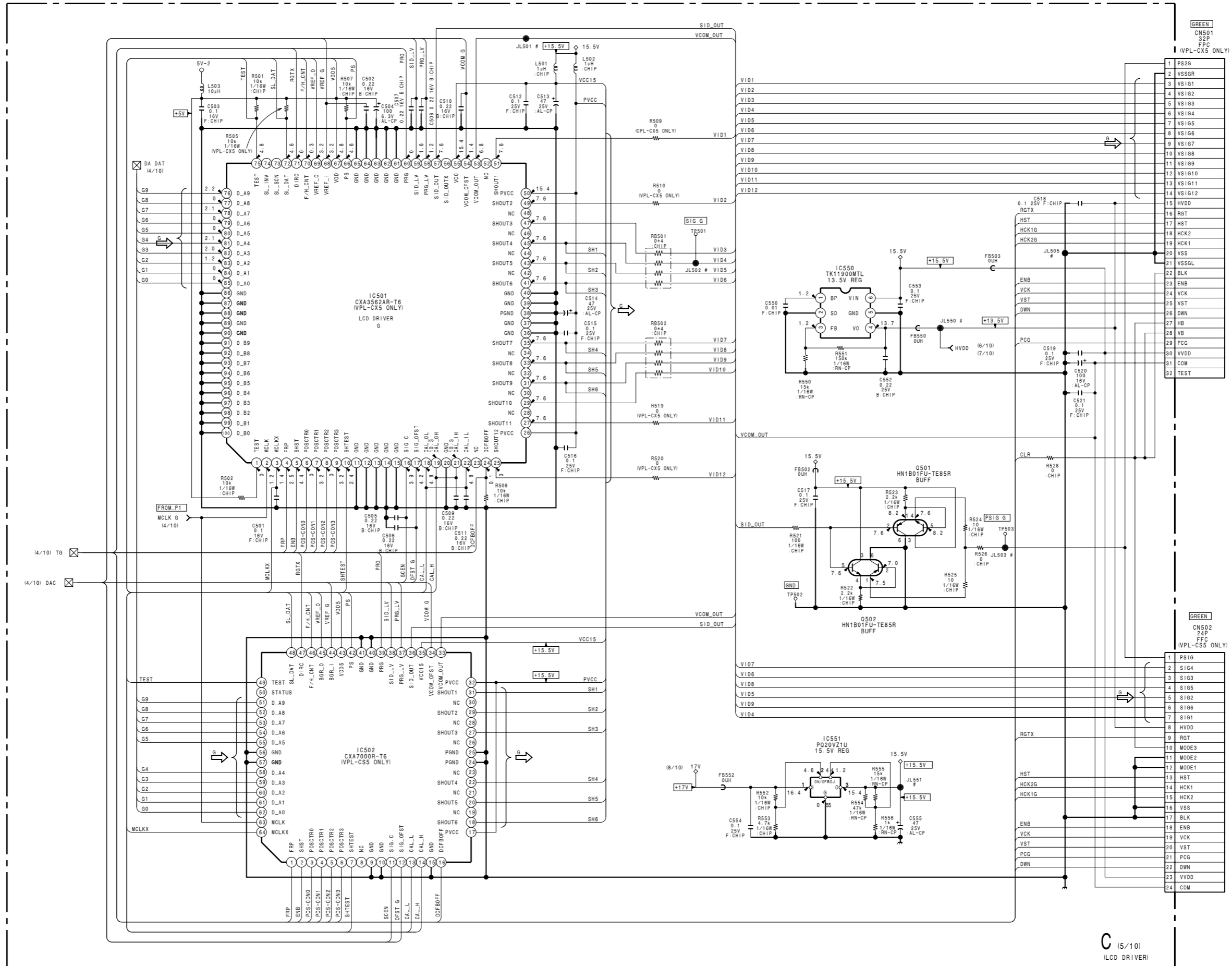
1

2

3

4

5



C (5/10)
(LCD DRIVER)

B-SS1734-C-P5

6-10

6-10

VPL-CS5/CX5

1

2

3

4

5

A

B

C

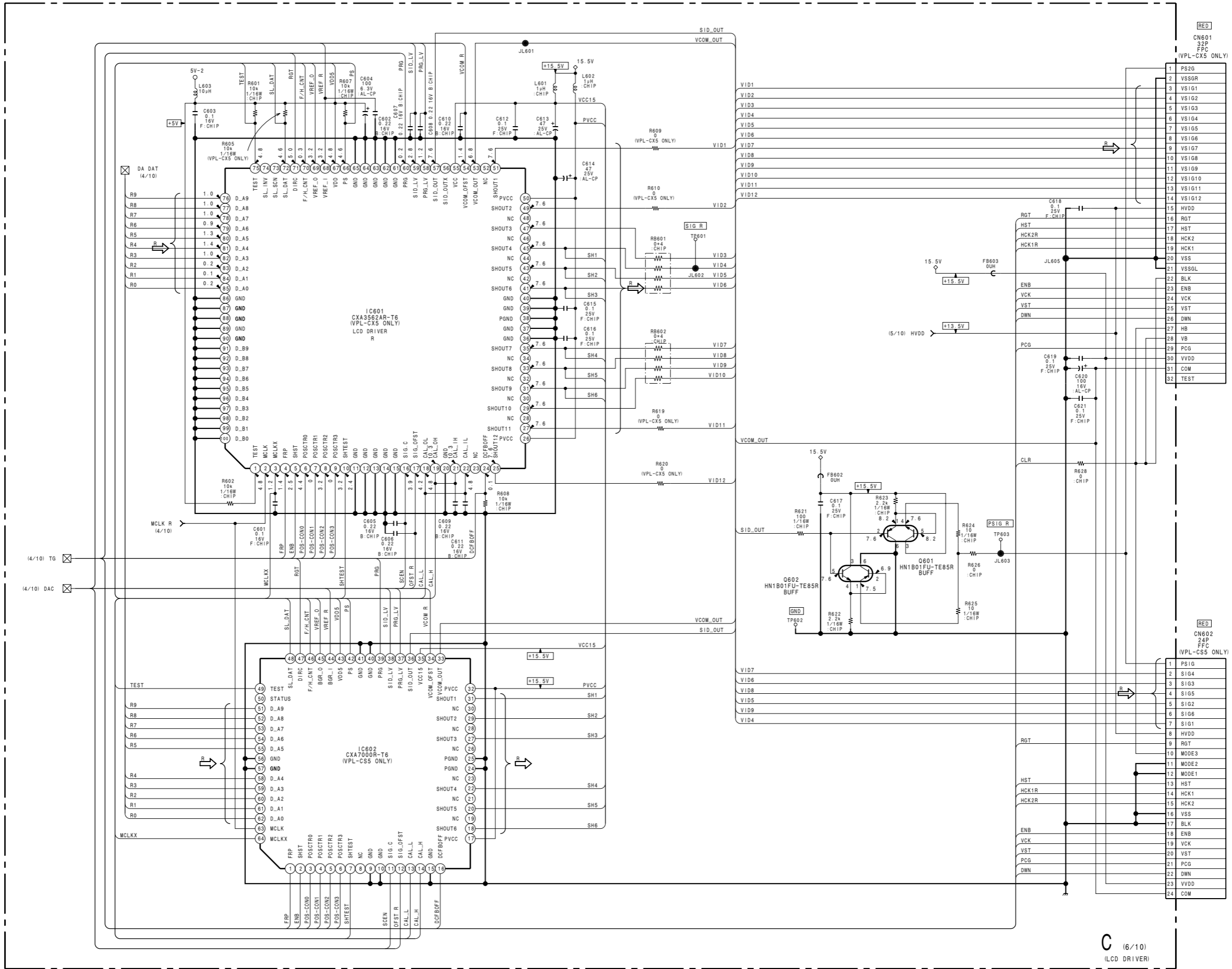
D

E

F

G

H



C (6/10) (LCD DRIVER)

B-SS1734-C-P6

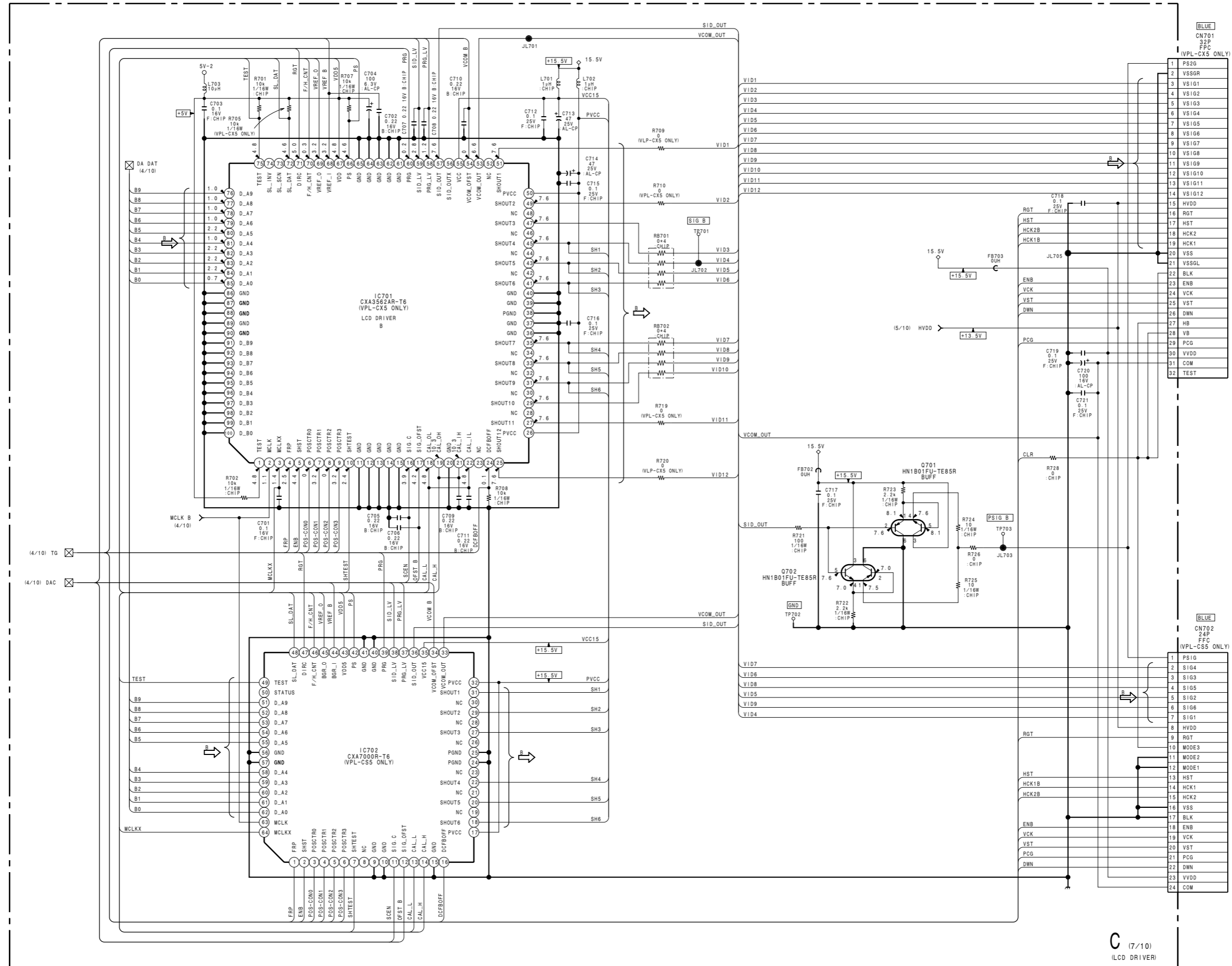
1

2

3

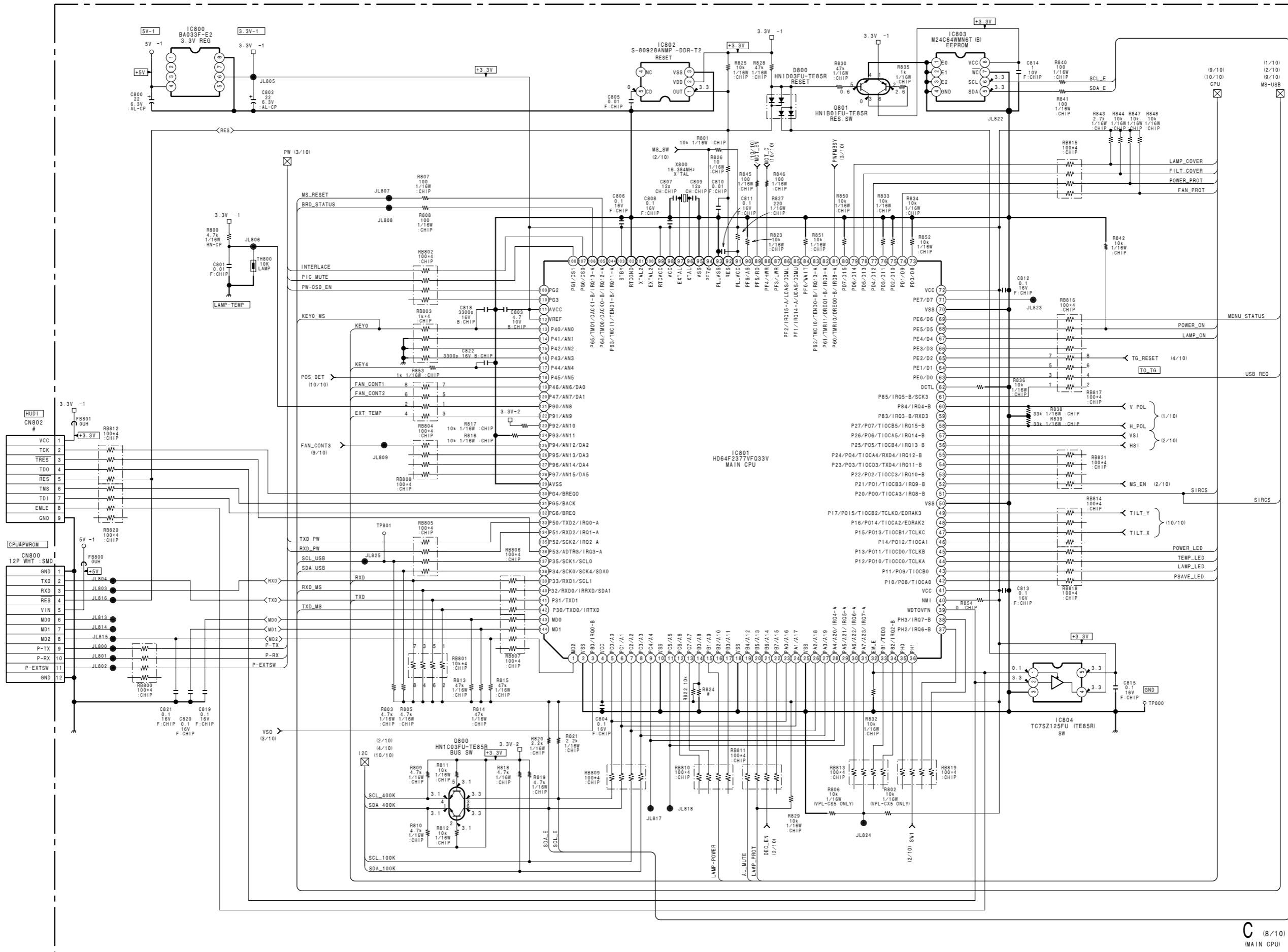
4

5



C (7/10) LCD DRIVER

B-SS1734-C-P7



C (8/10)
MAIN CPU

B-SS1734-C-P8

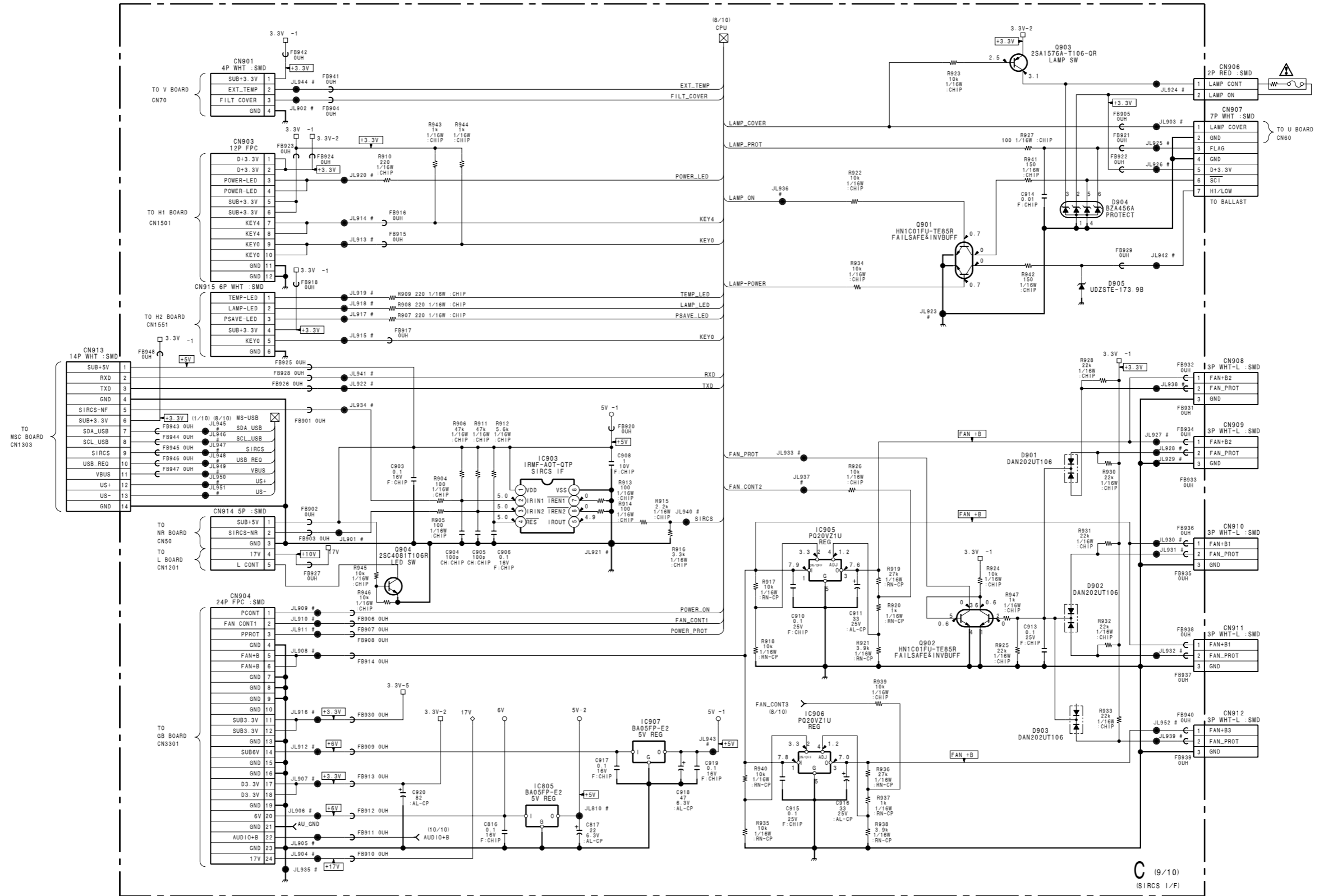
1

2

3

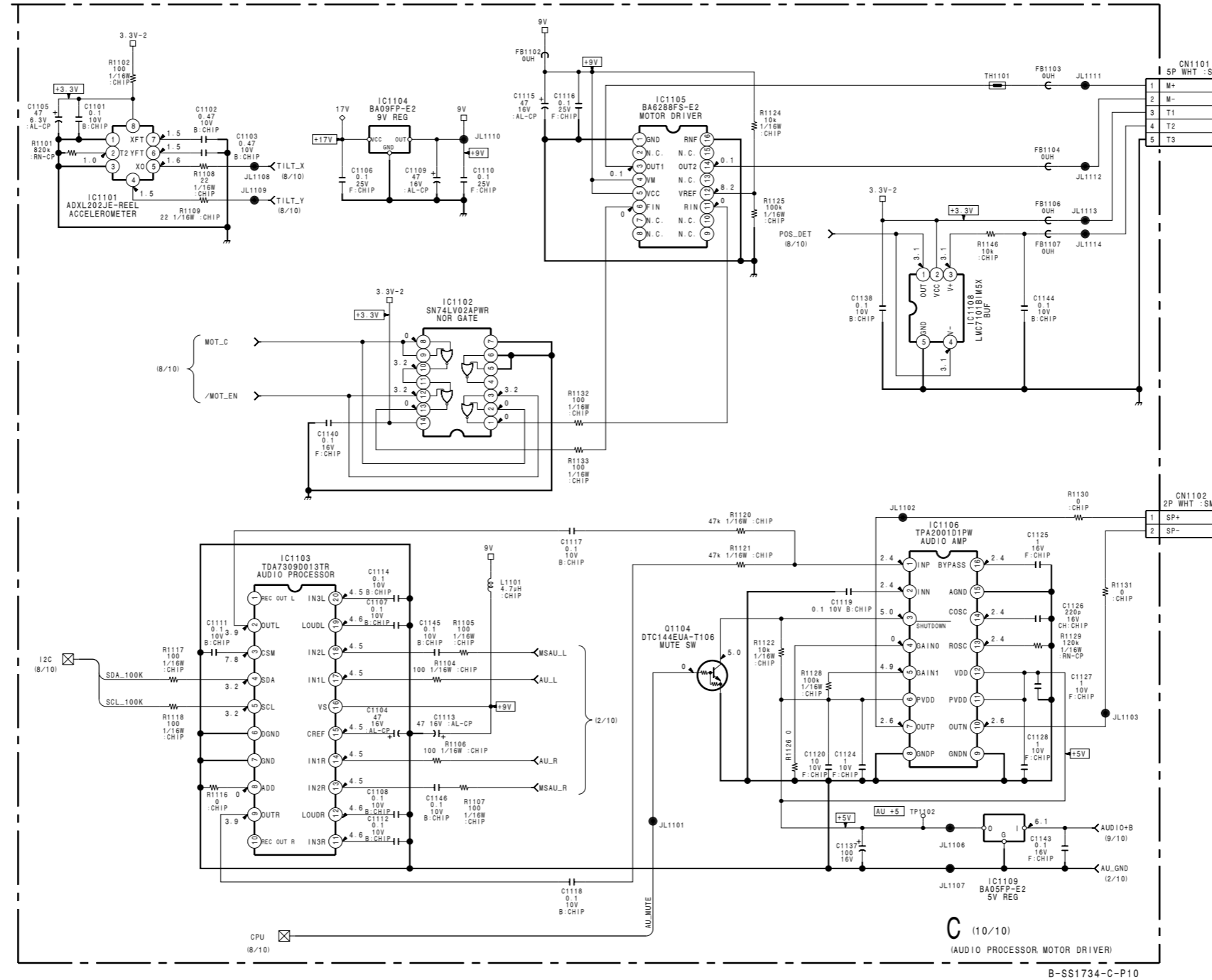
4

5



C (9/10)
(SIRCS 1/F)

B-SS1734-C-P9



C (10/10)
(AUDIO PROCESSOR MOTOR DRIVER)

B-SS1734-C-P10

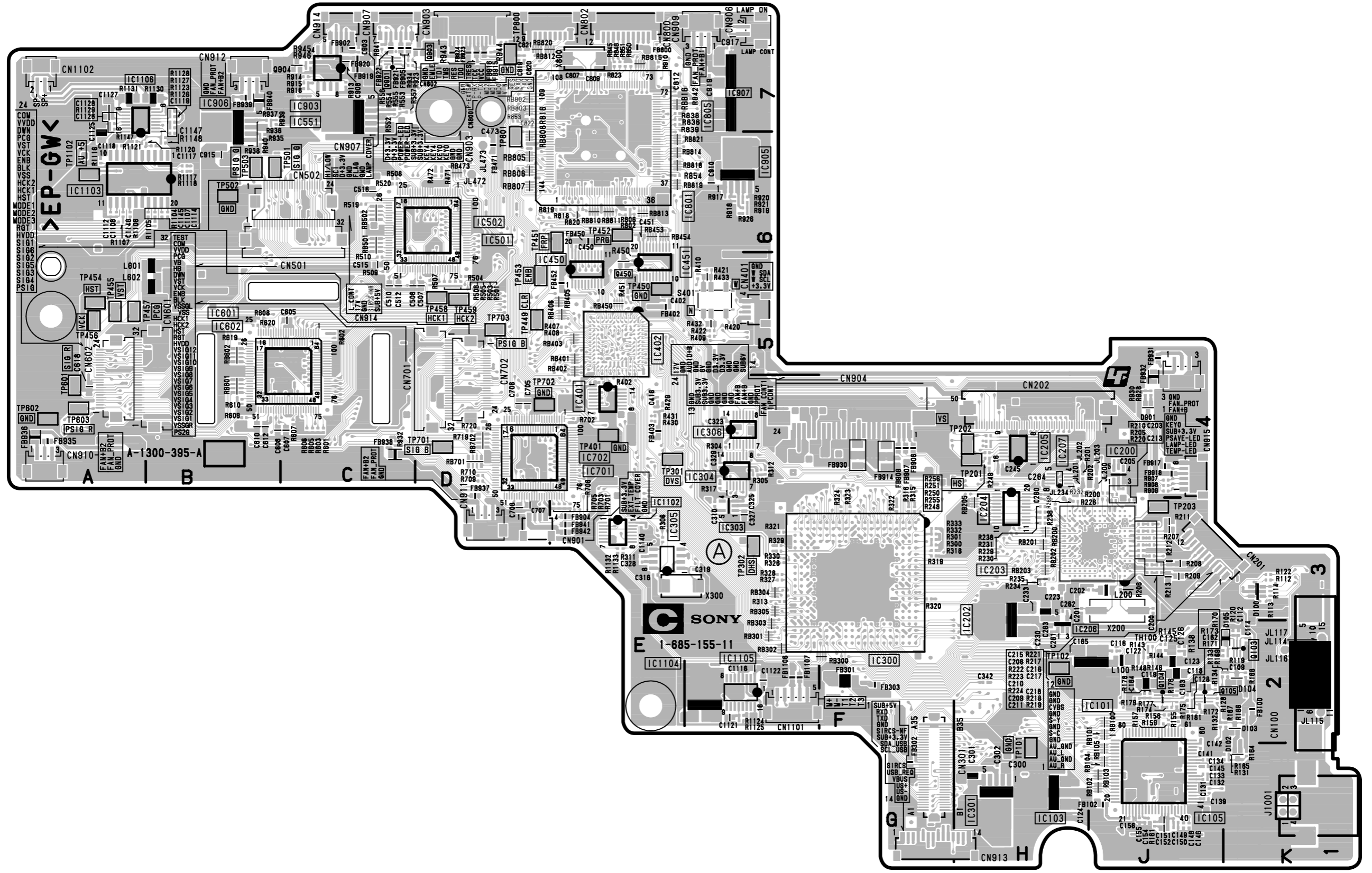
1

2

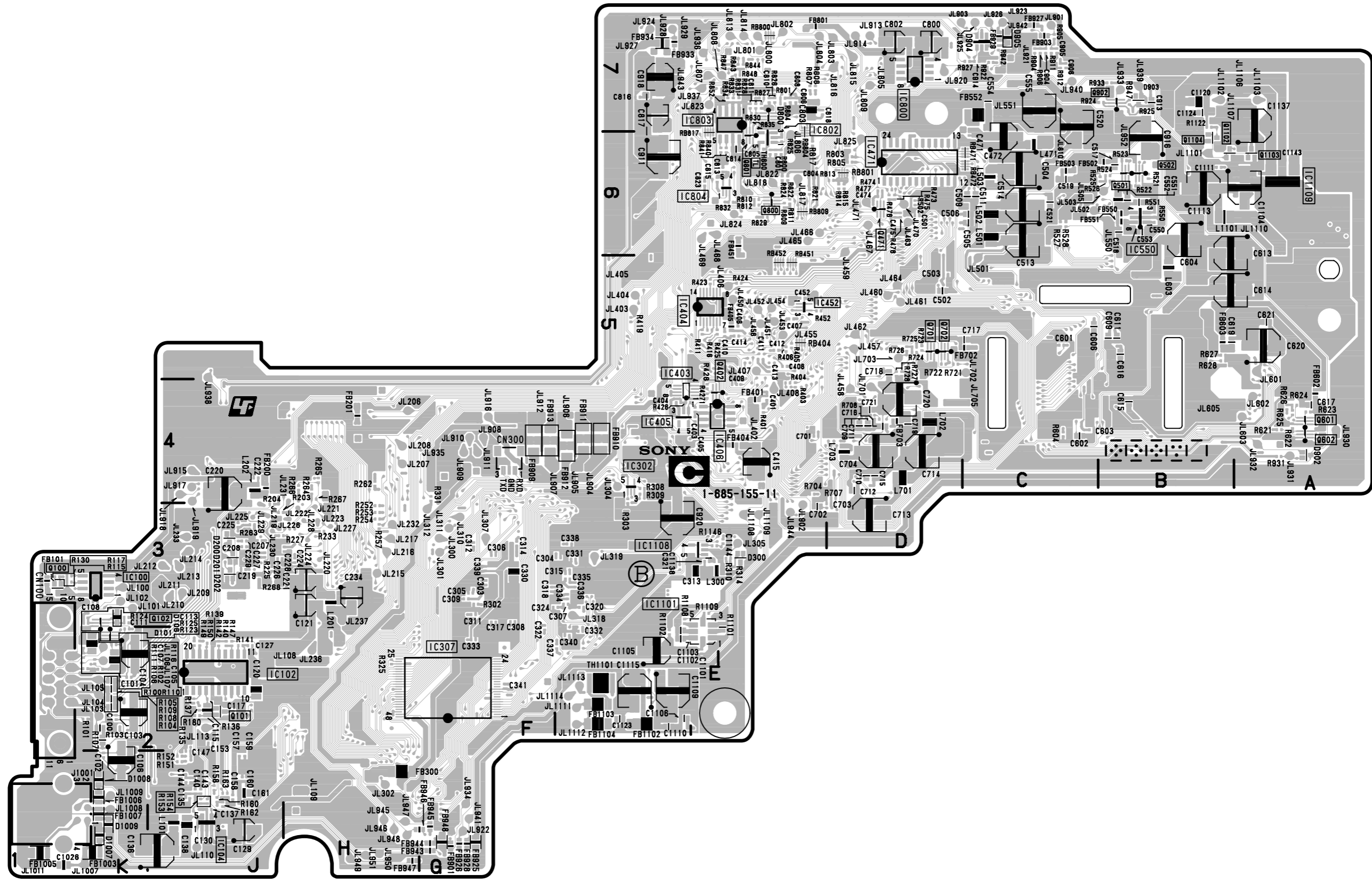
3

4

5



C -A SIDE-
SUFFIX: -11



C -B SIDE- SUFFIX: -11

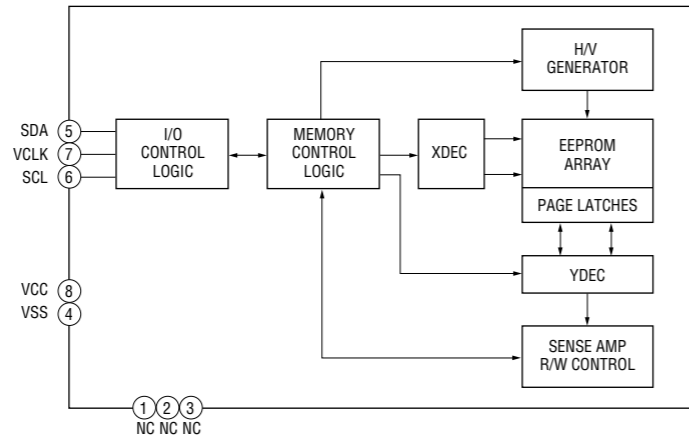
C BOARD

*:B SIDE

D100	K-3	Q100	* K-3
D101	* K-3	Q101	* J-2
D102	K-1	Q102	* K-3
D103	K-2	Q103	K-2
D104	K-2	Q104	J-2
D105	K-2	Q105	K-2
D106	* J-3	Q402	* E-5
D200	* J-3	Q450	E-5
D201	* J-3	Q471	* D-6
D202	* J-3	Q501	* B-6
D300	* E-3	Q502	* B-6
D800	* E-7	Q601	* A-4
D901	J-4	Q602	* A-4
D902	* A-4	Q701	* D-5
D903	* B-7	Q702	* D-5
D904	* C-7	Q800	* E-6
D905	* C-7	Q801	* E-6
D1007	* K-1	Q901	C-7
D1008	* K-1	Q902	* B-7
D1009	* K-1	Q903	D-7
		Q904	C-7
		Q1102	* B-6
		Q1103	* A-6
		Q1104	* B-6

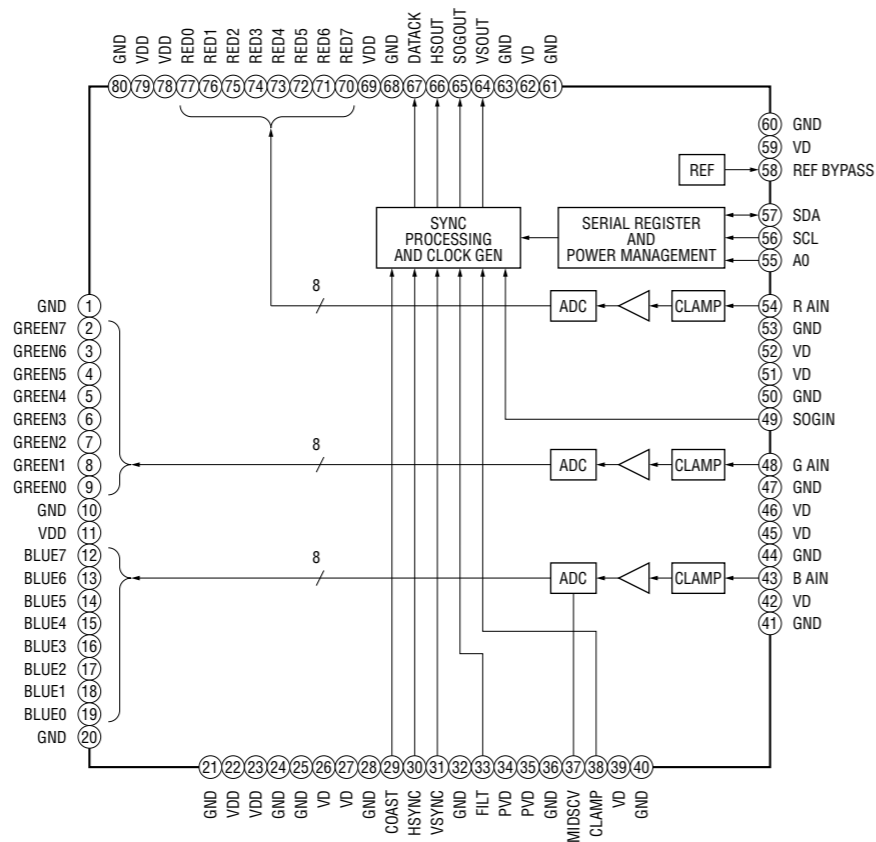
IC100	* K-3	TP101	H-1
IC101	J-2	TP102	H-2
IC102	* J-2	TP201	F-4
IC103	H-1	TP202	F-4
IC104	* J-1	TP203	J-3
IC105	J-1	TP301	E-4
IC200	J-4	TP302	F-3
IC202	H-3	TP401	E-4
IC203	H-3	TP449	D-5
IC204	H-3	TP450	E-5
IC205	H-4	TP451	E-6
IC206	H-2	TP452	E-6
IC207	H-4	TP453	D-6
IC300	G-2	TP454	A-5
IC301	H-1	TP455	A-5
IC302	* F-4	TP456	A-5
IC303	F-3	TP457	A-5
IC304	F-4	TP458	D-5
IC305	E-3	TP459	D-5
IC306	F-4	TP501	B-6
IC307	* G-2	TP502	B-6
IC401	E-4	TP503	B-6
IC402	E-5	TP601	A-4
IC403	* F-4	TP602	A-4
IC404	* E-5	TP603	A-4
IC405	* F-5	TP701	D-4
IC406	* E-4	TP702	D-4
IC450	E-5	TP703	D-5
IC451	E-5	TP800	D-7
IC452	* E-5	TP801	D-6
IC471	* D-6	TP1102	A-6
IC501	D-6		
IC502	D-6		
IC550	* B-6		
IC551	C-7		
IC601	B-5		
IC602	B-5		
IC701	E-4		
IC702	E-4		
IC800	* D-7		
IC801	F-6		
IC802	* E-7		
IC803	* E-7		
IC804	* E-6		
IC805	F-7		
IC903	C-7		
IC905	F-6		
IC906	B-7		
IC907	F-7		
IC1101	* F-3		
IC1102	E-3		
IC1103	A-6		
IC1104	E-2		
IC1105	F-2		
IC1106	A-7		
IC1108	* F-3		
IC1109	* A-6		

C (1/10) 24LC21AT/SN (IC100)

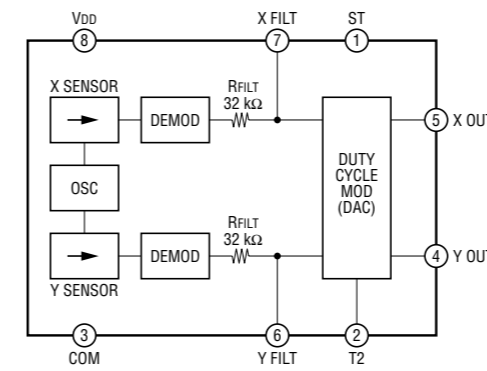


C (1/10) AD9883AKST-140 (IC105)

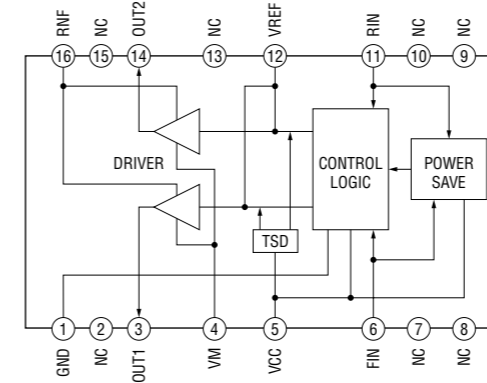
AD9883AKST-110 (IC105)



C (10/10) ADXL202JE-REEL (IC1101)

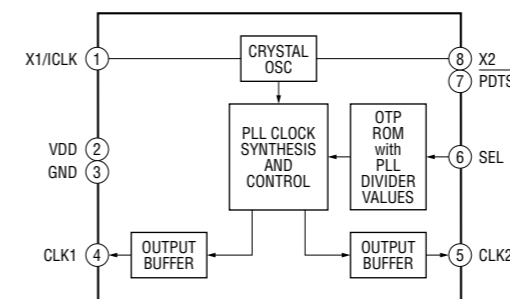


C (10/10) BA6288FS-E2 (IC1105)

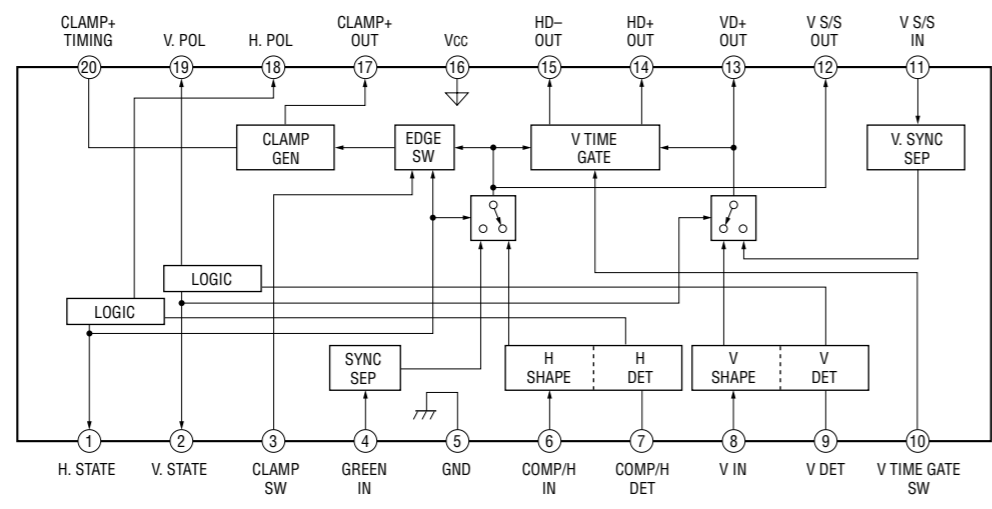


C (3/10) ICS332-SX1735 (IC305)

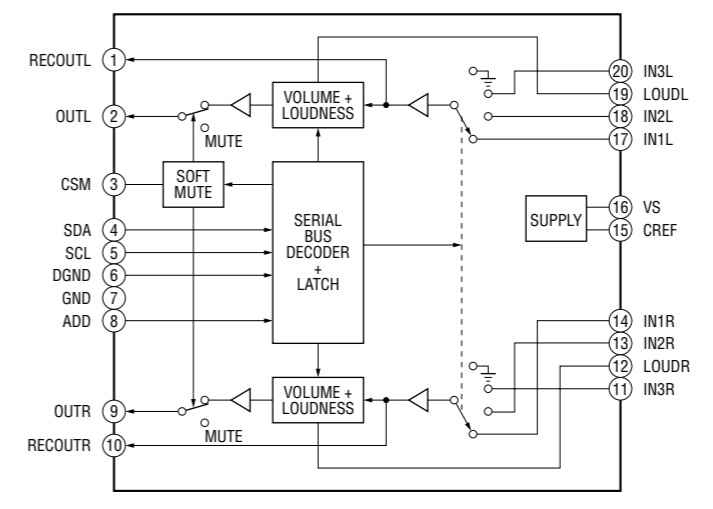
ICS332-SX1734 (IC305)



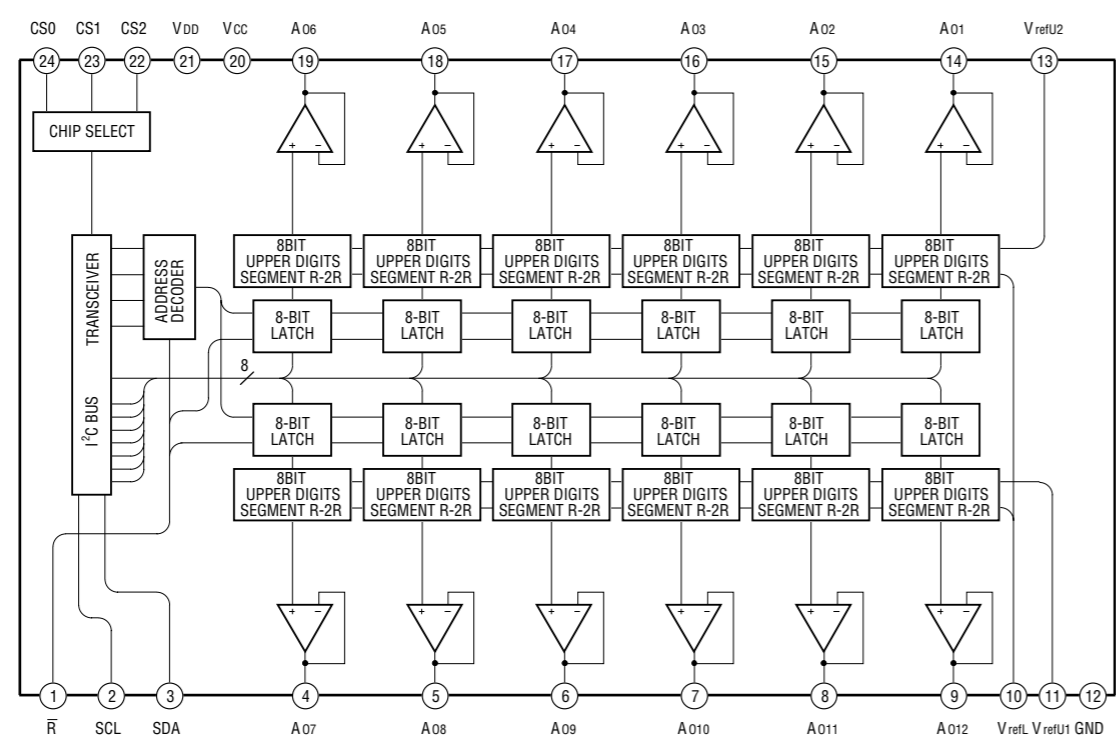
C (1/10) M52347FP-TE (IC102)



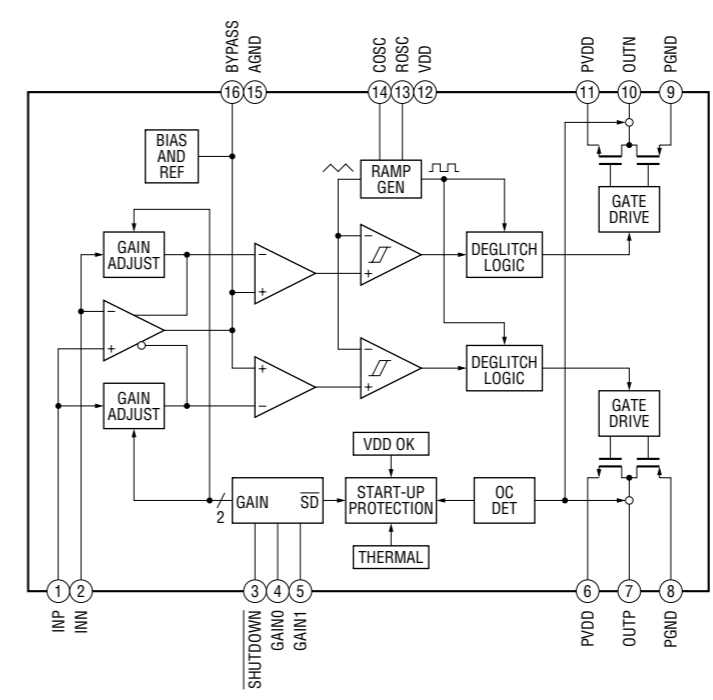
C (10/10) TDA7309D013TR (IC1103)

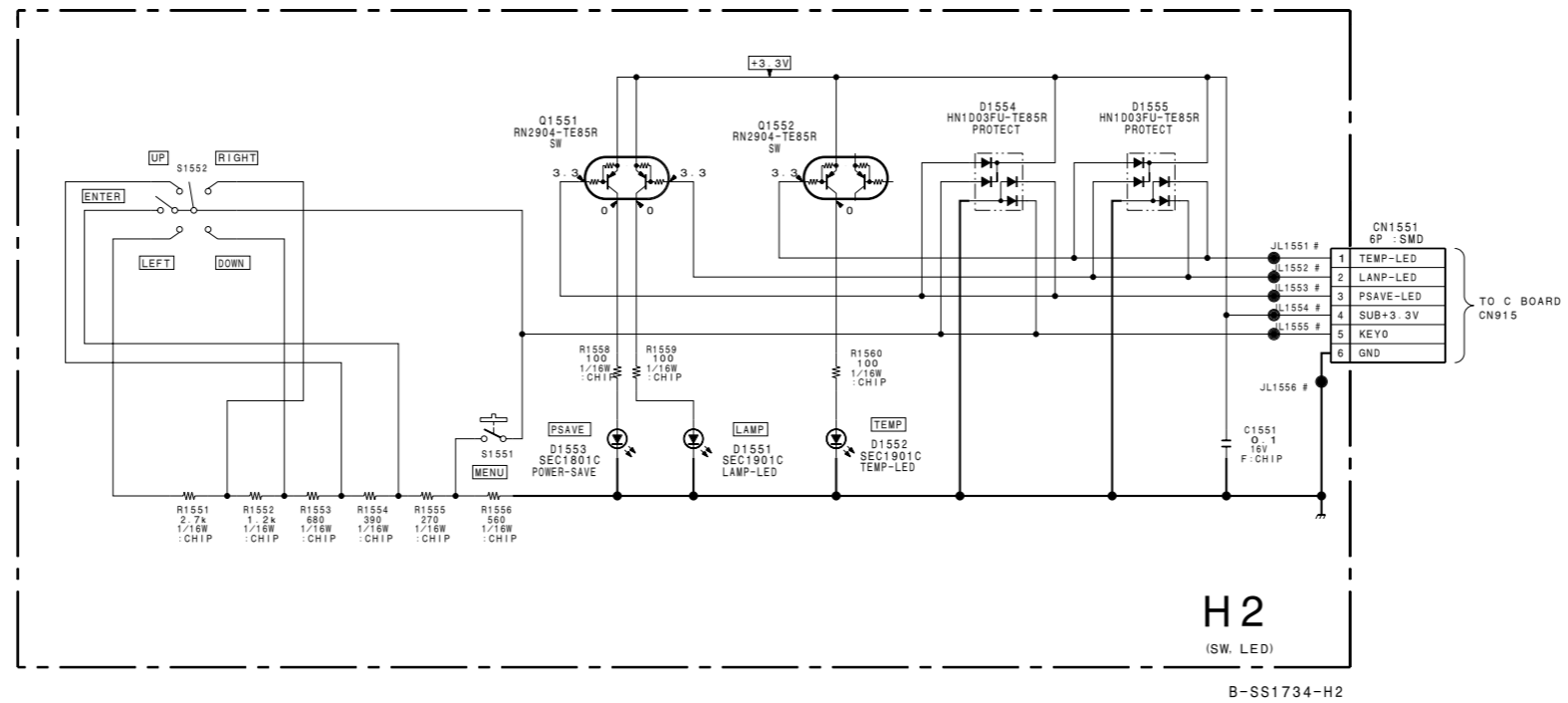
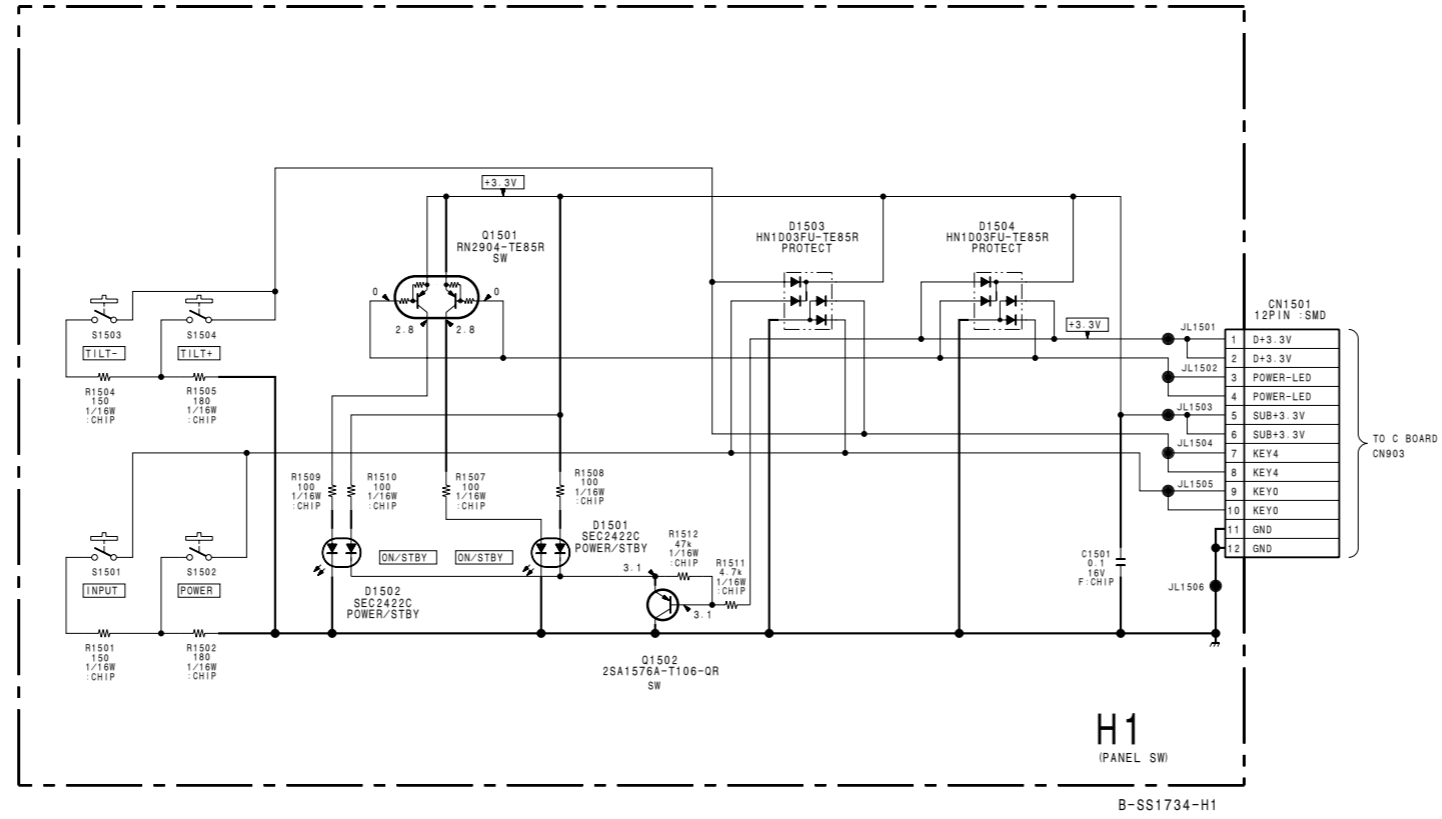


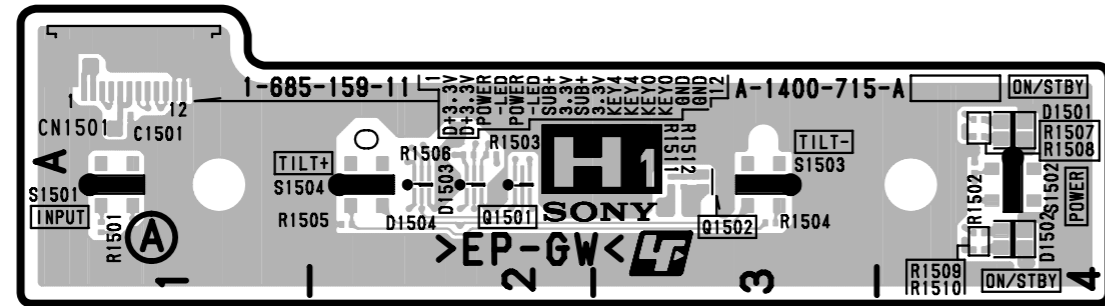
C (4/10) M62392FP (IC471)



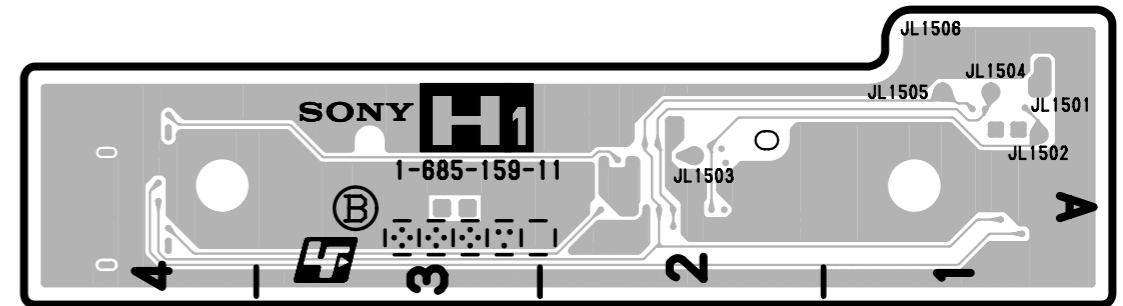
C (10/10) TPA2001D1PW (IC1106)



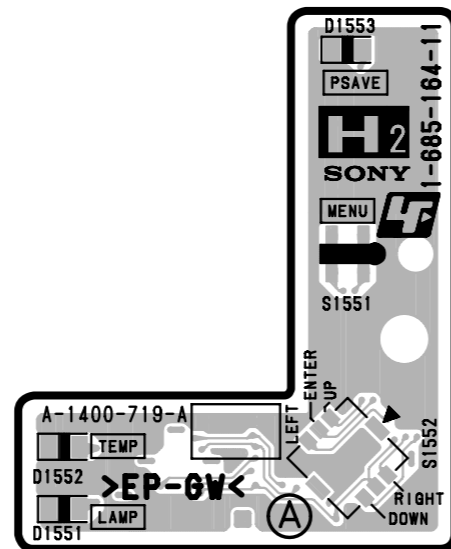




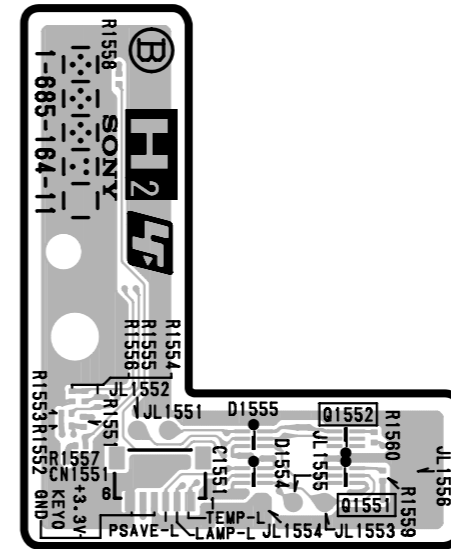
H1 -A SIDE-
SUFFIX: -11



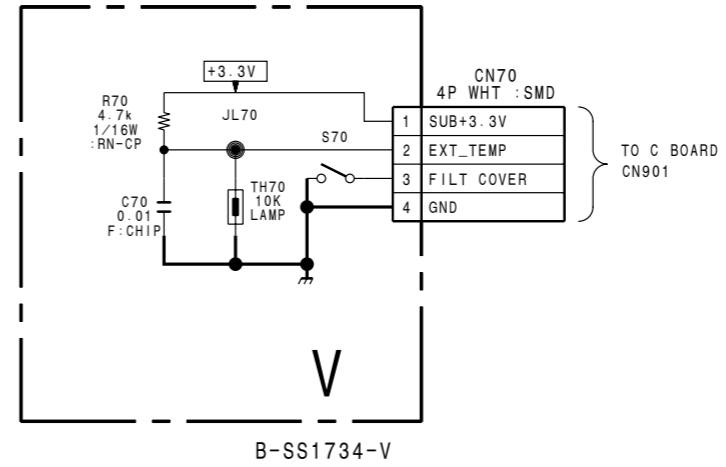
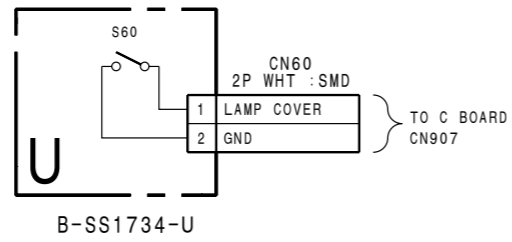
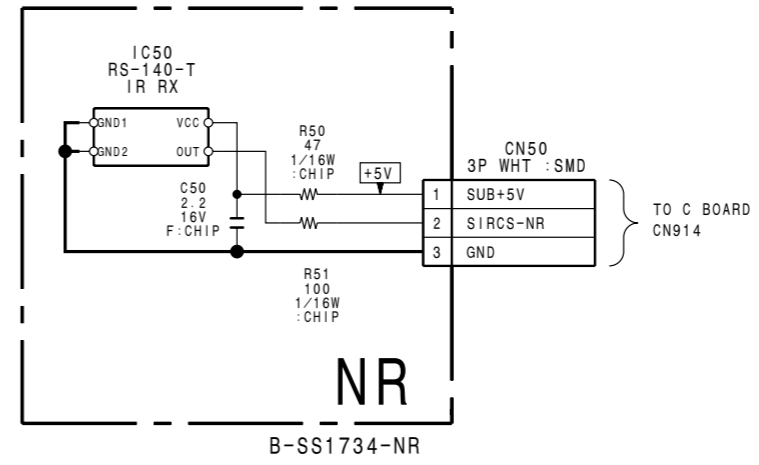
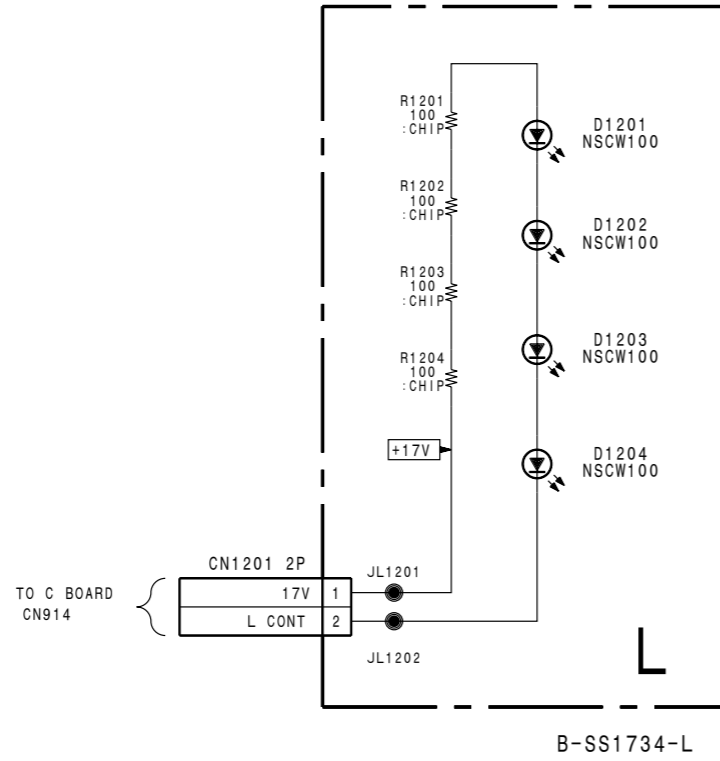
H1 -B SIDE-
SUFFIX: -11

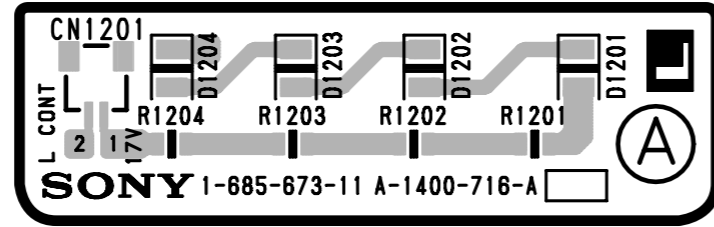


H2 -A SIDE-
SUFFIX: -11

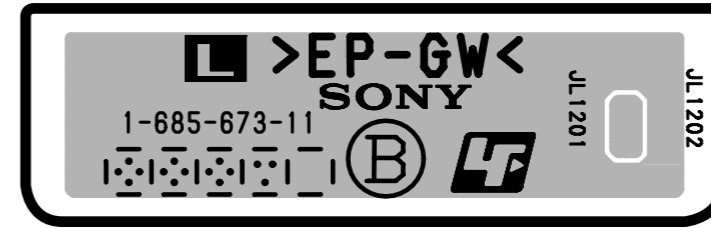


H2 -B SIDE-
SUFFIX: -11

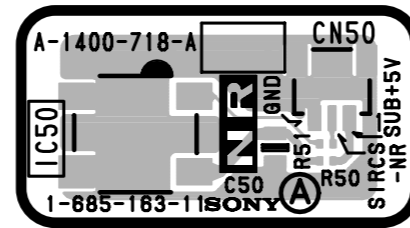




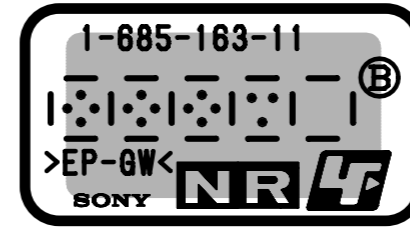
L -A SIDE-
SUFFIX: -11



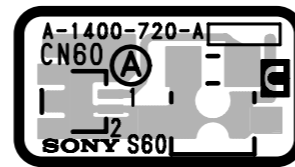
L -B SIDE-
SUFFIX: -11



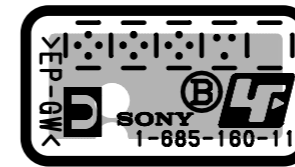
NR -A SIDE-
SUFFIX: -11



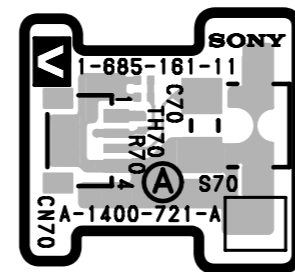
NR -B SIDE-
SUFFIX: -11



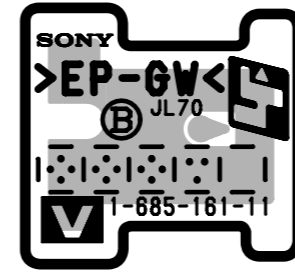
U -A SIDE-
SUFFIX: -11



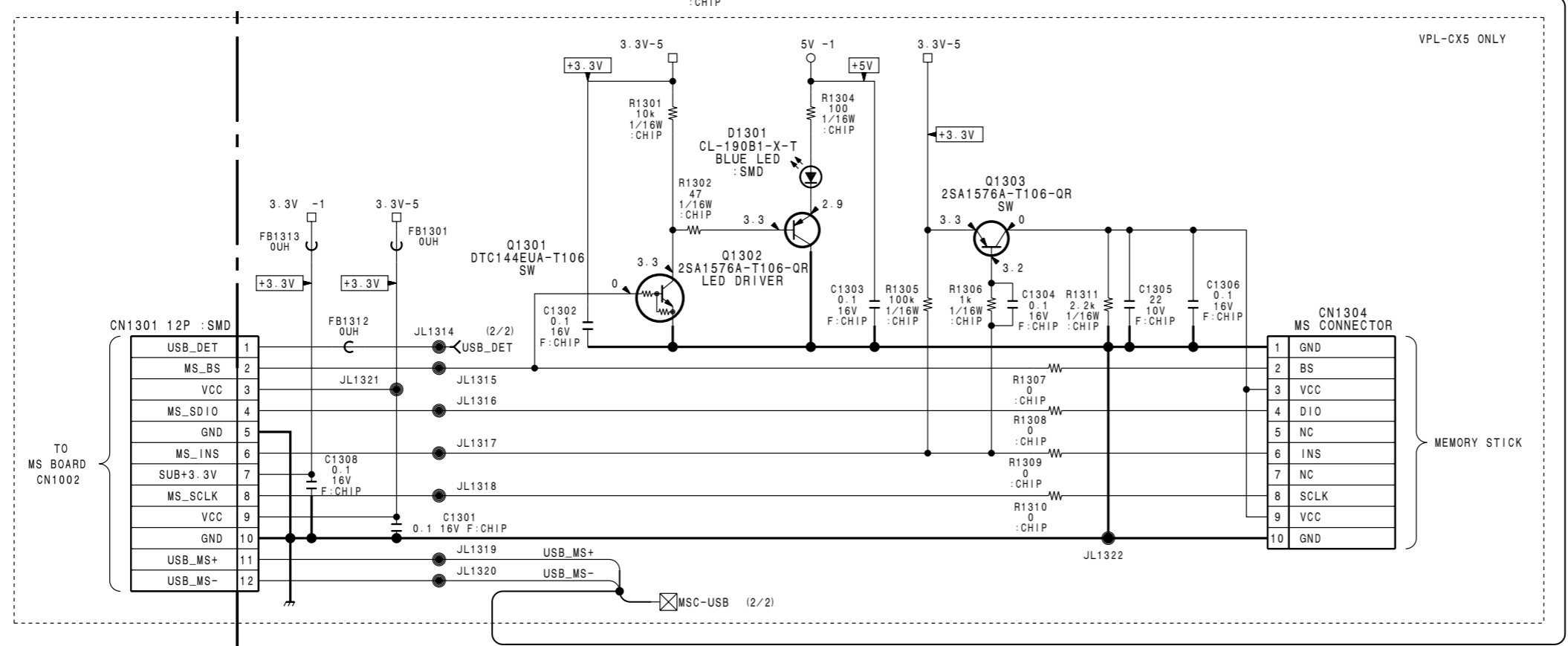
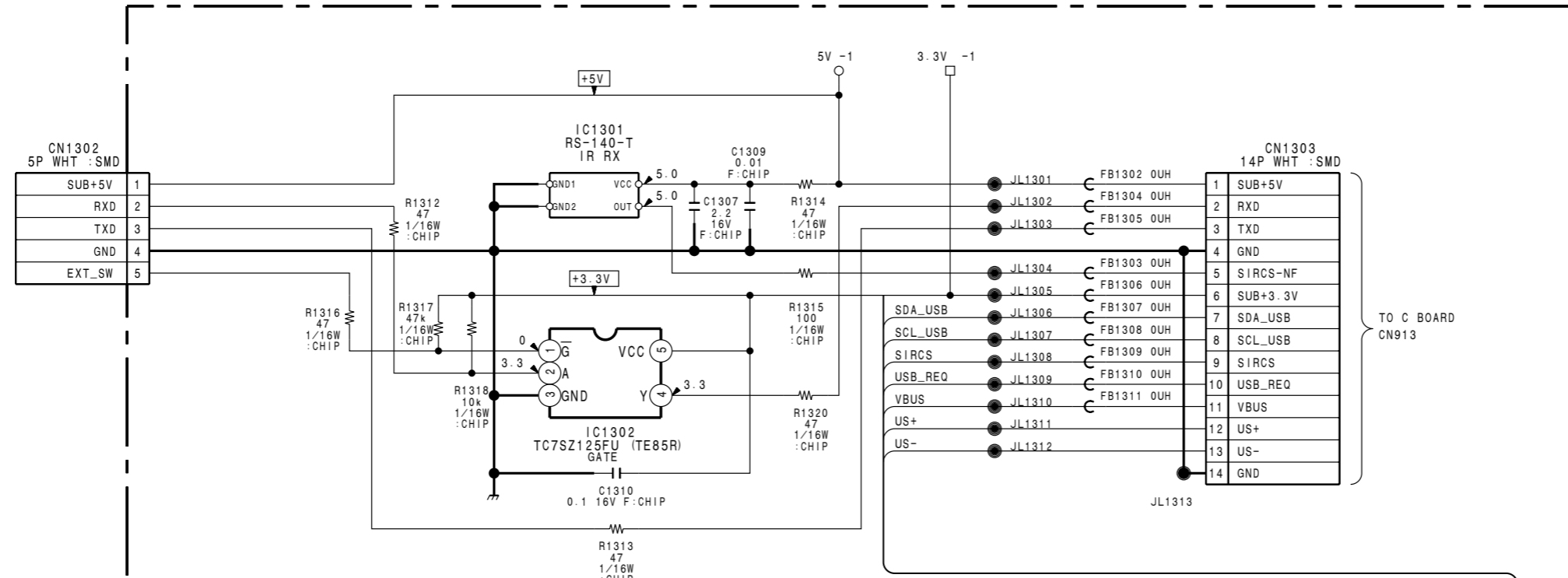
U -B SIDE-
SUFFIX: -11



V -A SIDE-
SUFFIX: -11

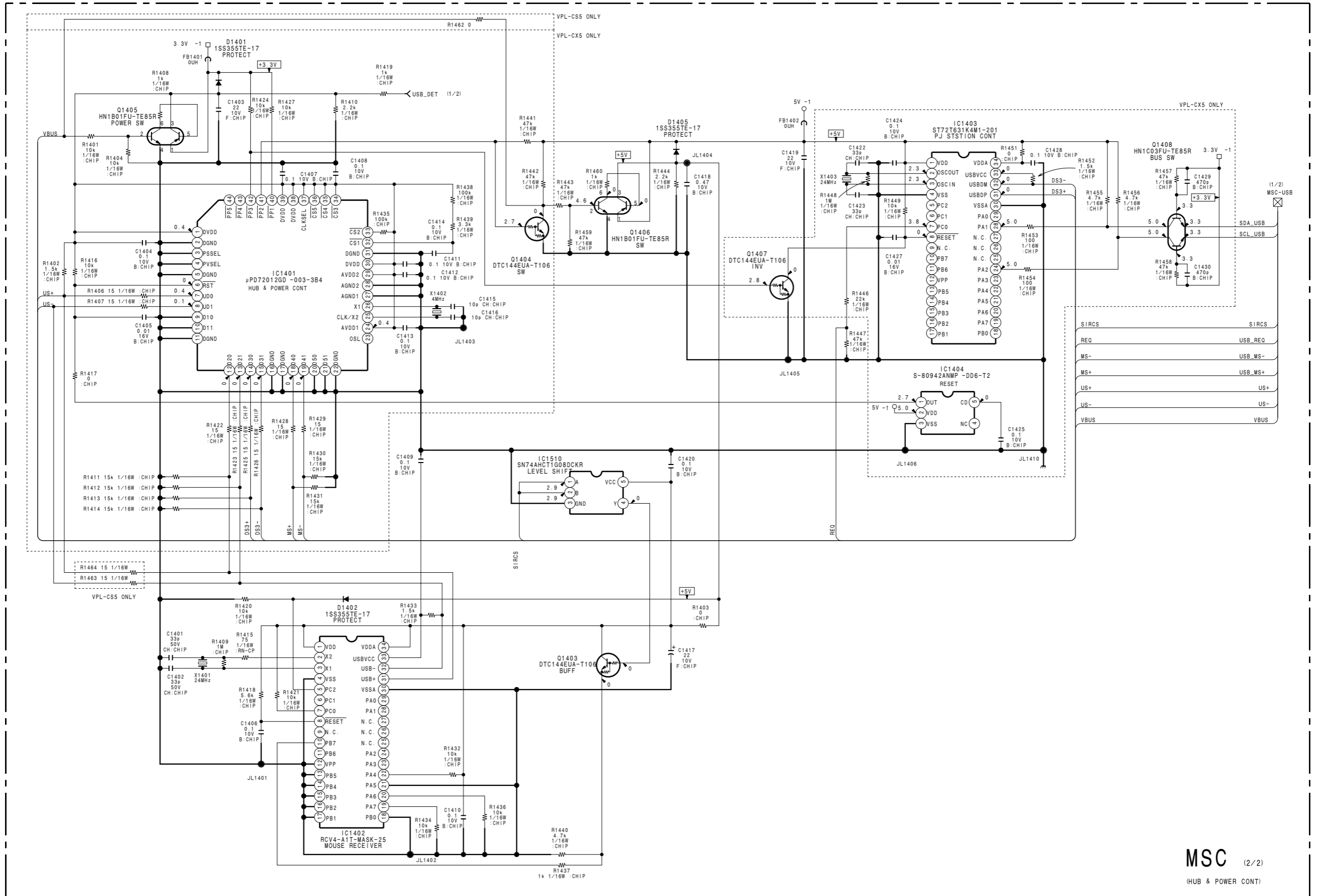


V -B SIDE-
SUFFIX: -11

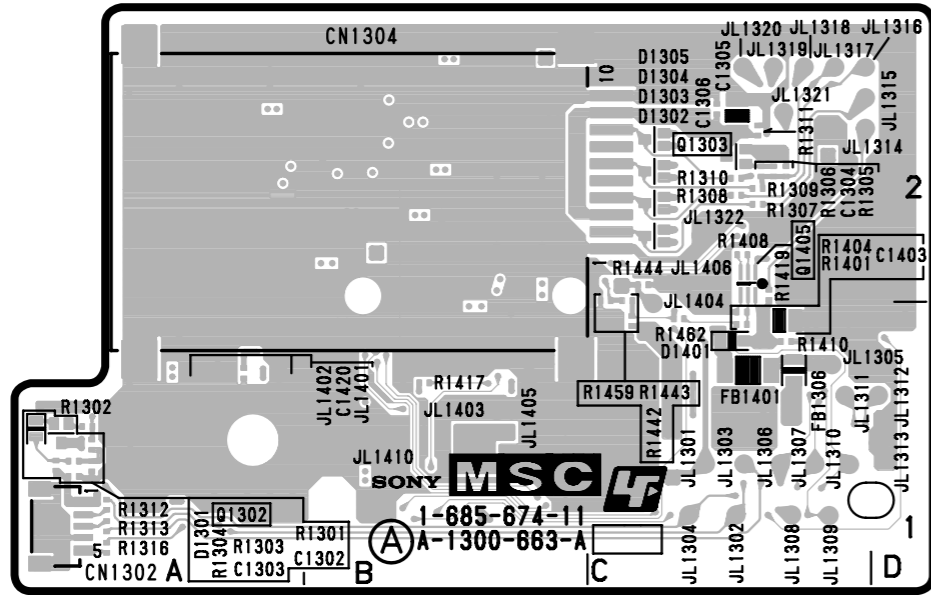


MSC (1/2)

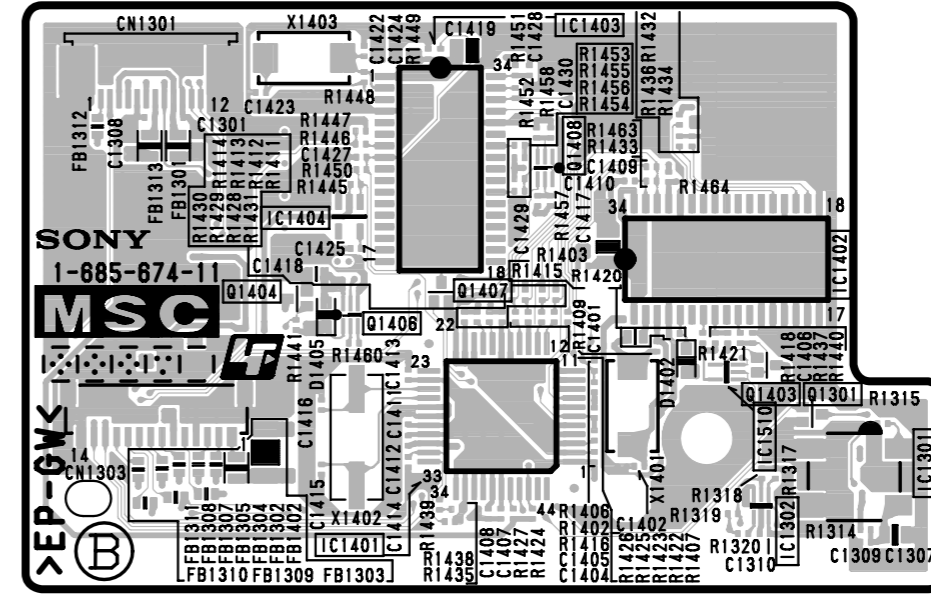
B-SS1734-MSC-P1



MSC (2/2)
(HUB & POWER CONT)



MSC -A SIDE-
SUFFIX: -11

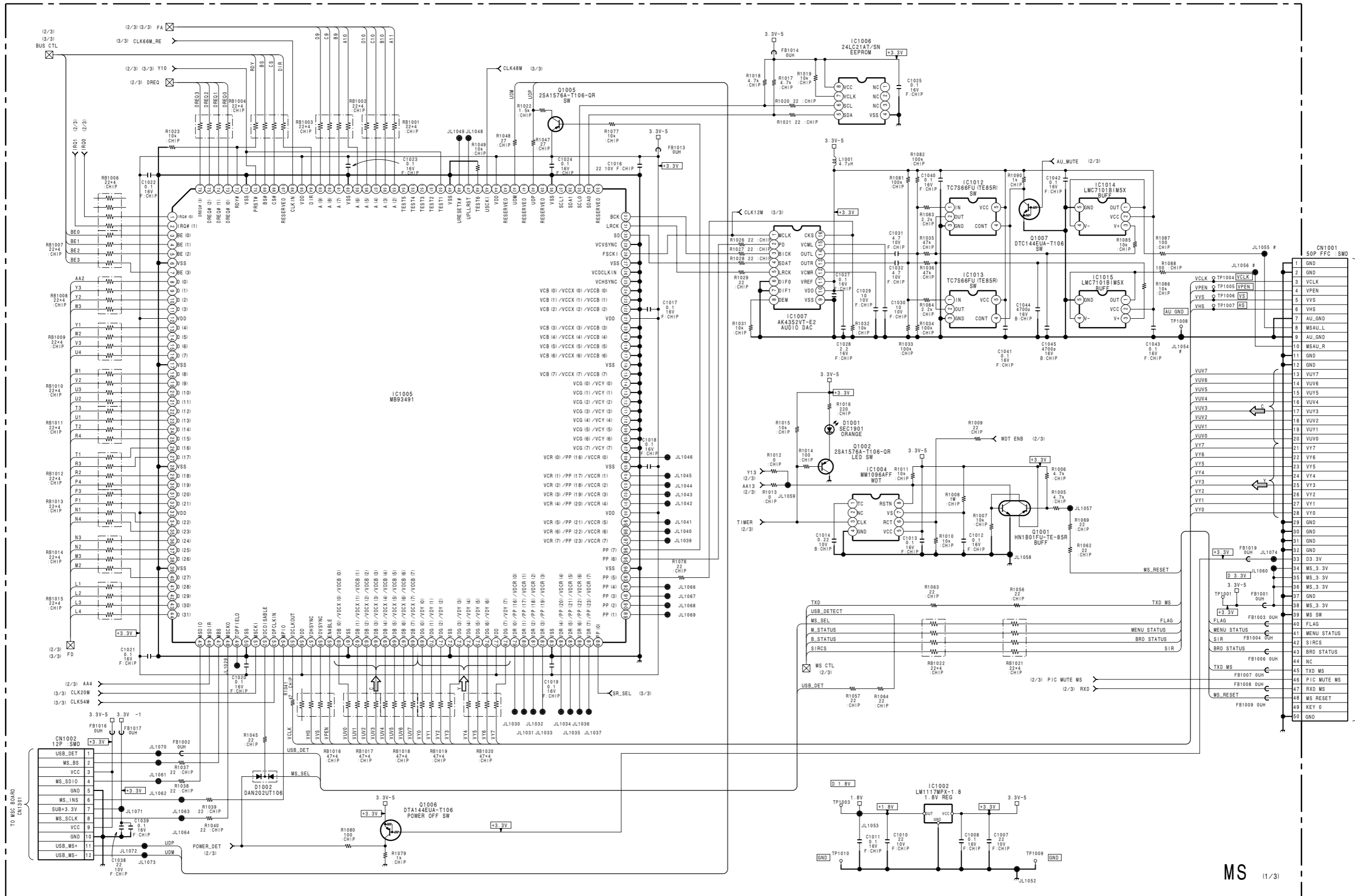


MSC -B SIDE-
SUFFIX: -11

MSC BOARD

*:B SIDE

D1301	A-1
D1302	C-2
D1303	C-2
D1304	C-2
D1305	C-2
D1401	C-1
D1402	* A-1
D1405	* C-1
IC1301	* A-1
IC1302	* A-1
IC1401	* B-1
IC1402	* A-2
IC1403	* B-2
IC1404	* C-2
IC1510	* A-1
Q1301	* A-1
Q1302	A-1
Q1303	C-2
Q1403	* A-1
Q1404	* C-2
Q1405	C-2
Q1406	* C-1
Q1407	* B-2
Q1408	* B-2



MS (1/3)

B-SS1735-MS-P1

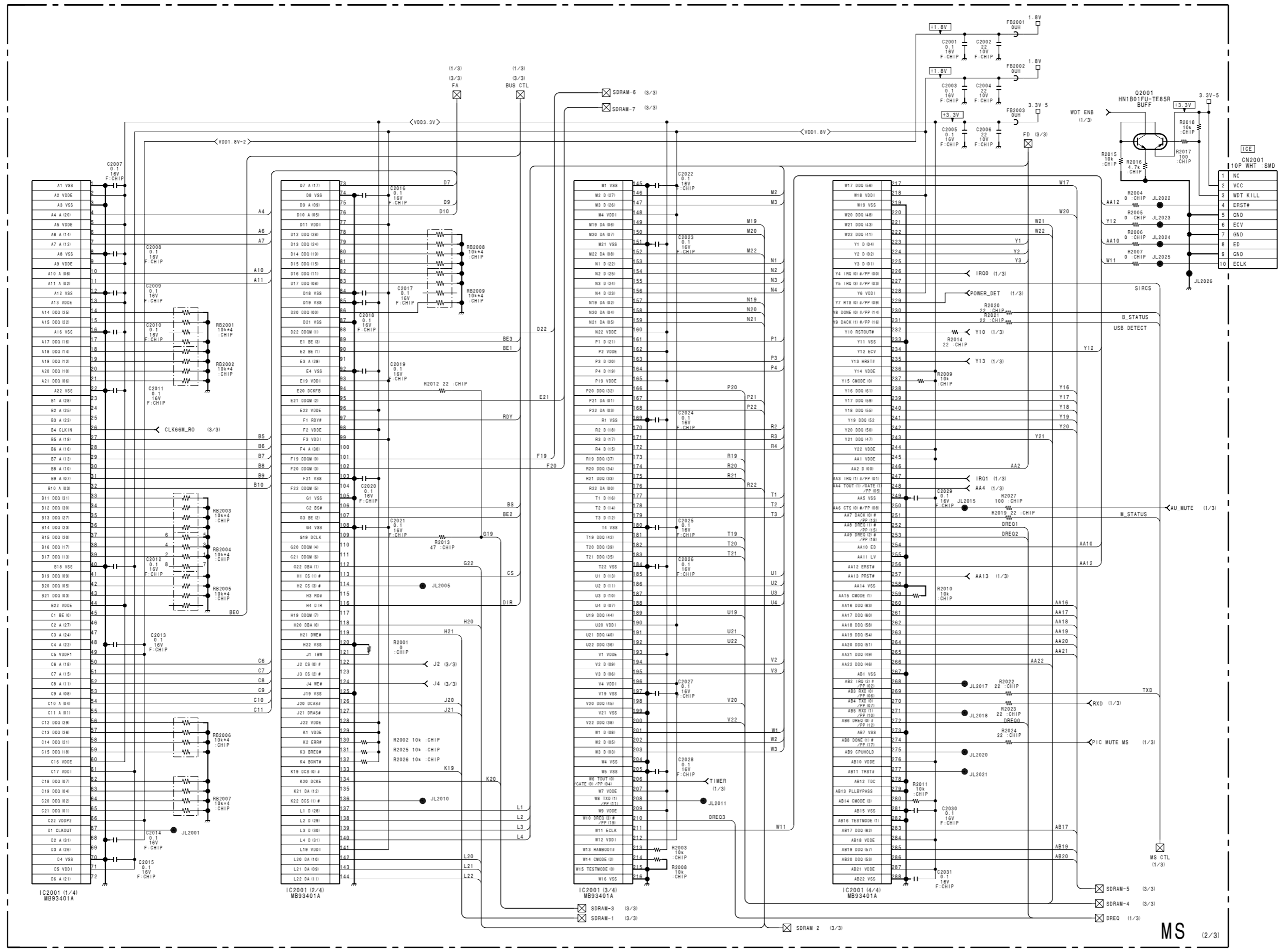
1

2

3

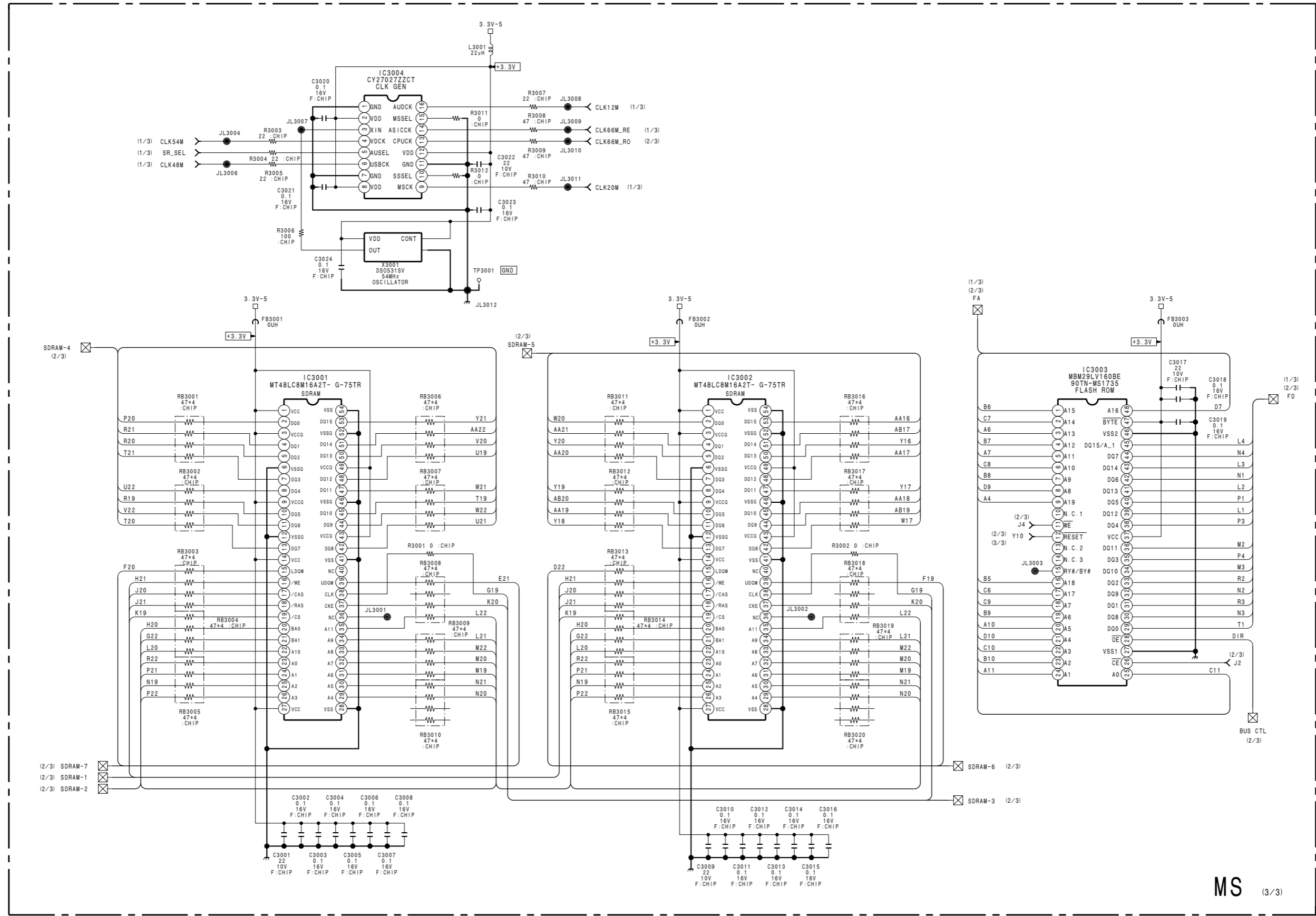
4

5



MS (2/3)

B-SS1735-MS-P2



MS (3/3)

B-SS1735-MS-P3

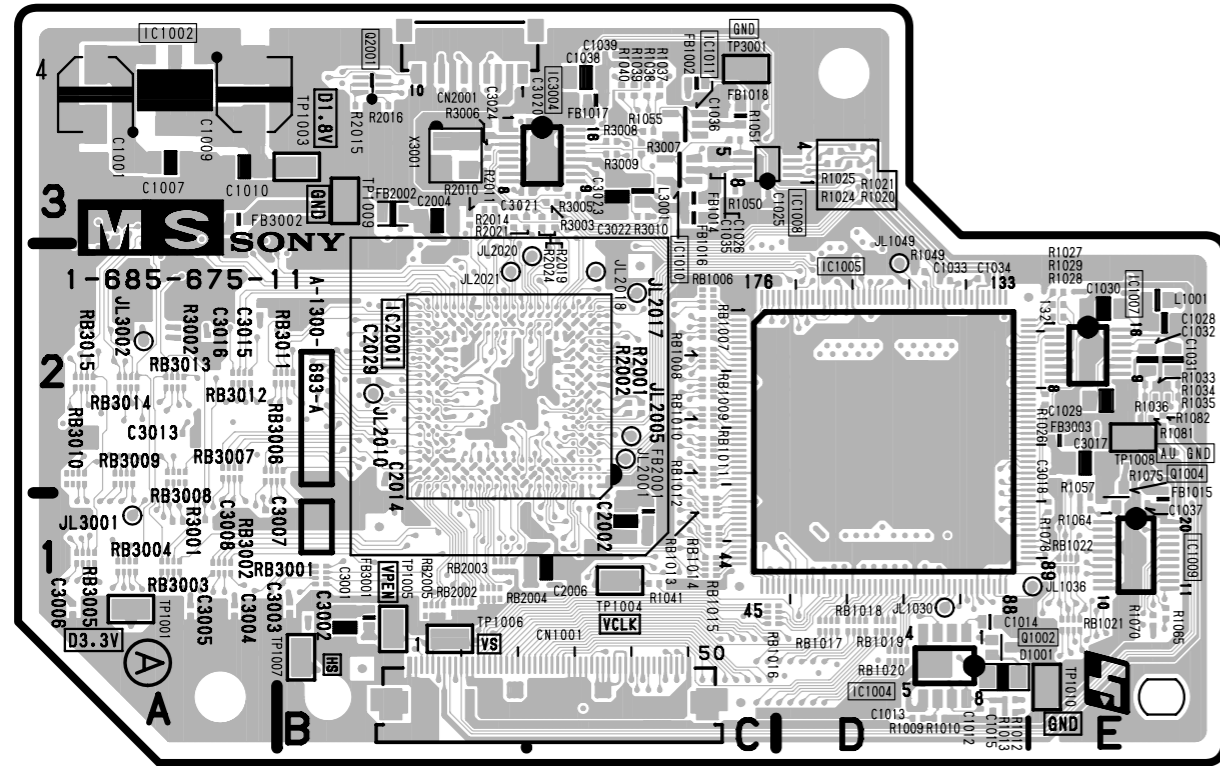
1

2

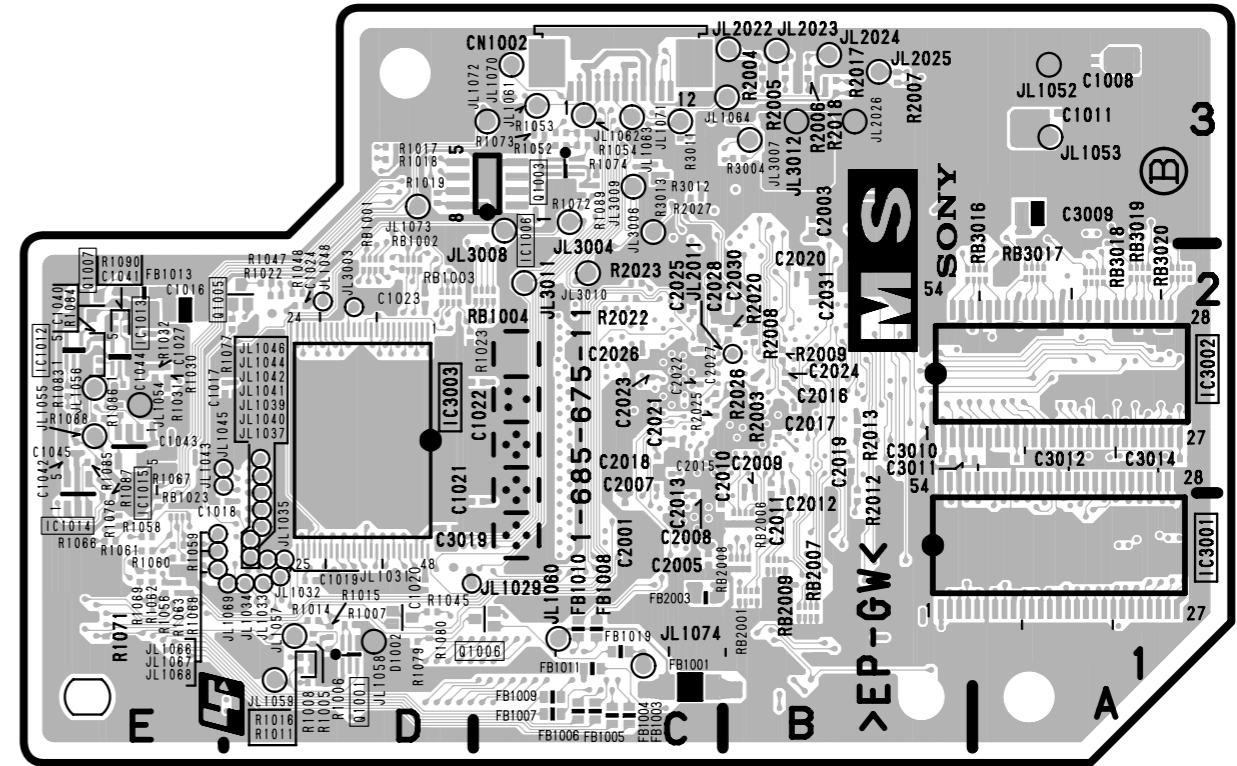
3

4

5



MS -A SIDE-
SUFFIX: -11

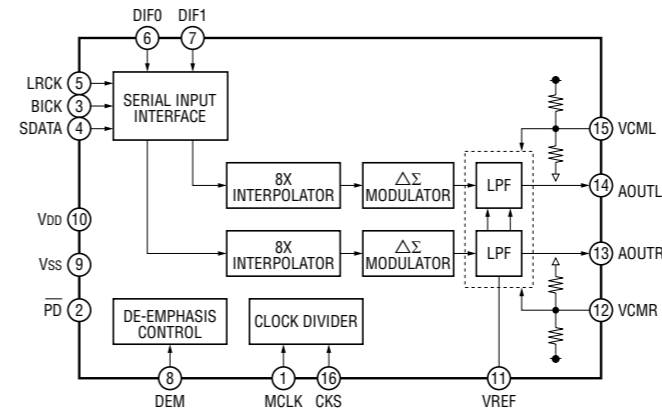


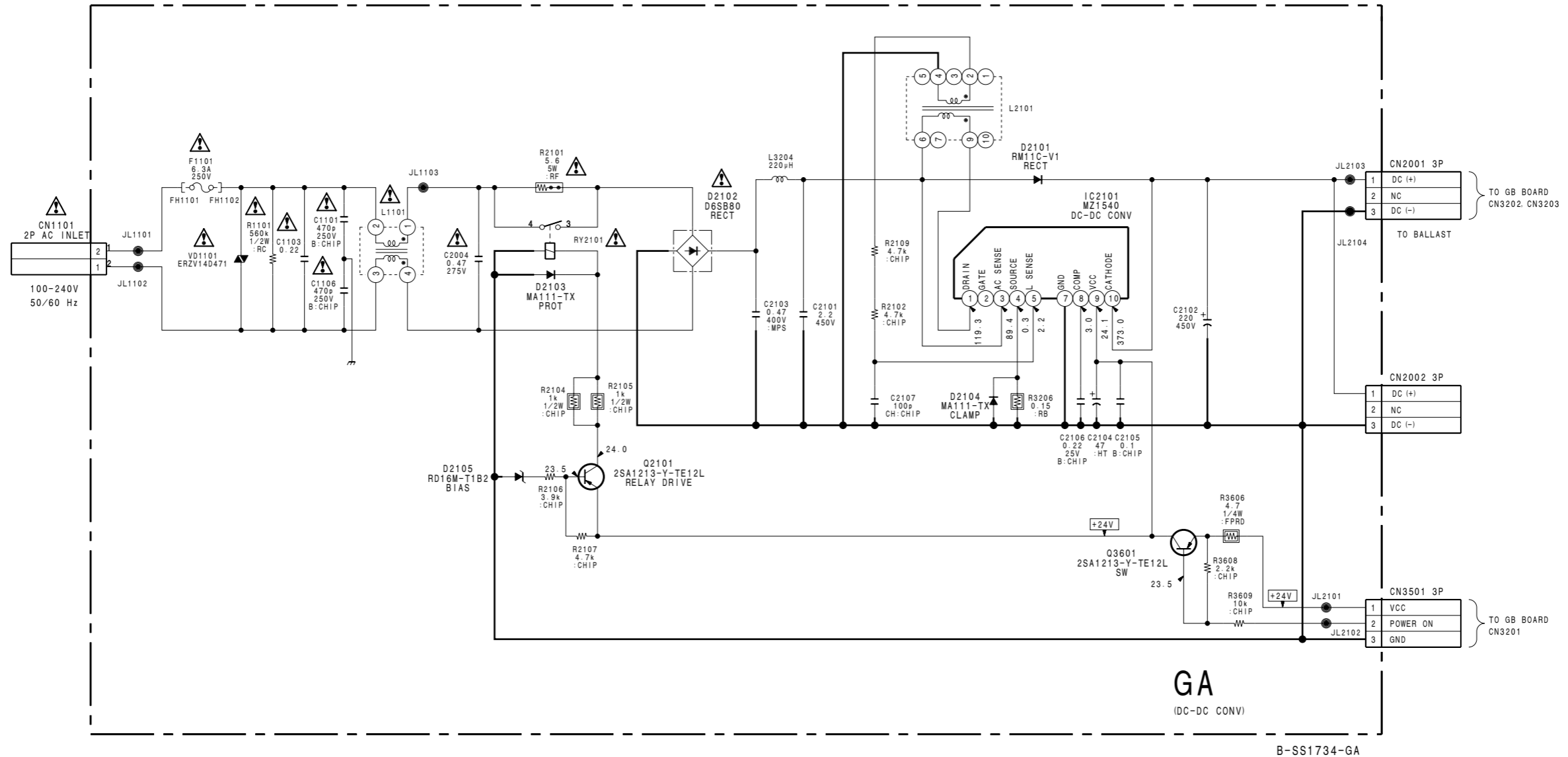
MS -B SIDE-
SUFFIX: -11

MS board
*:B SIDE

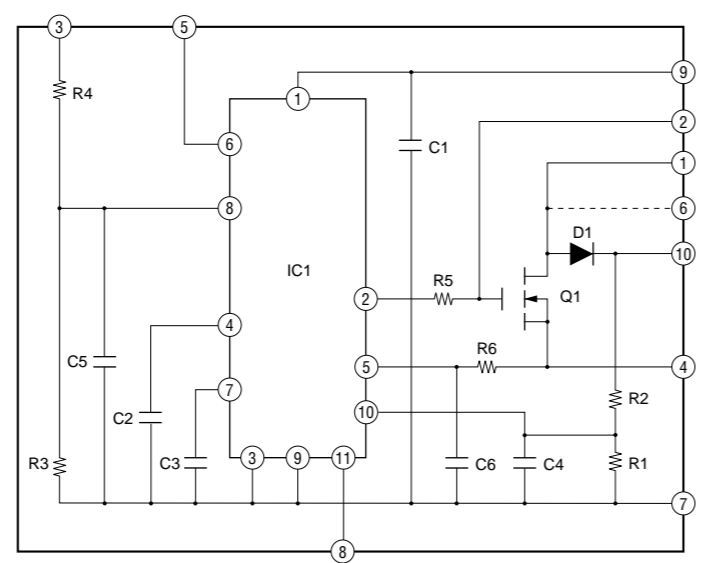
D1001	D-1
D1002	*D-1
IC1002	A-3
IC1004	D-1
IC1005	D-2
IC1006	*C-3
IC1007	E-2
IC1008	D-3
IC1009	E-1
IC1010	C-2
IC1011	C-3
IC1012	*E-2
IC1013	*E-2
IC1014	*E-1
IC1015	*E-2
IC2001	B-2
IC3001	*A-1
IC3002	*A-2
IC3003	*D-2
IC3004	C-3
Q1001	*D-1
Q1002	D-1
Q1003	*C-3
Q1004	E-1
Q1005	*D-2
Q1006	*C-1
Q1007	*E-2
Q2001	B-3
TP1001	A-1
TP1003	B-3
TP1004	C-1
TP1005	B-1
TP1006	B-1
TP1007	B-1
TP1008	E-2
TP1009	B-3
TP1010	E-1
TP3001	C-3

MS (1/3) AK4352VT-E2 (IC1007)





GA MZ1540 (IC2101)



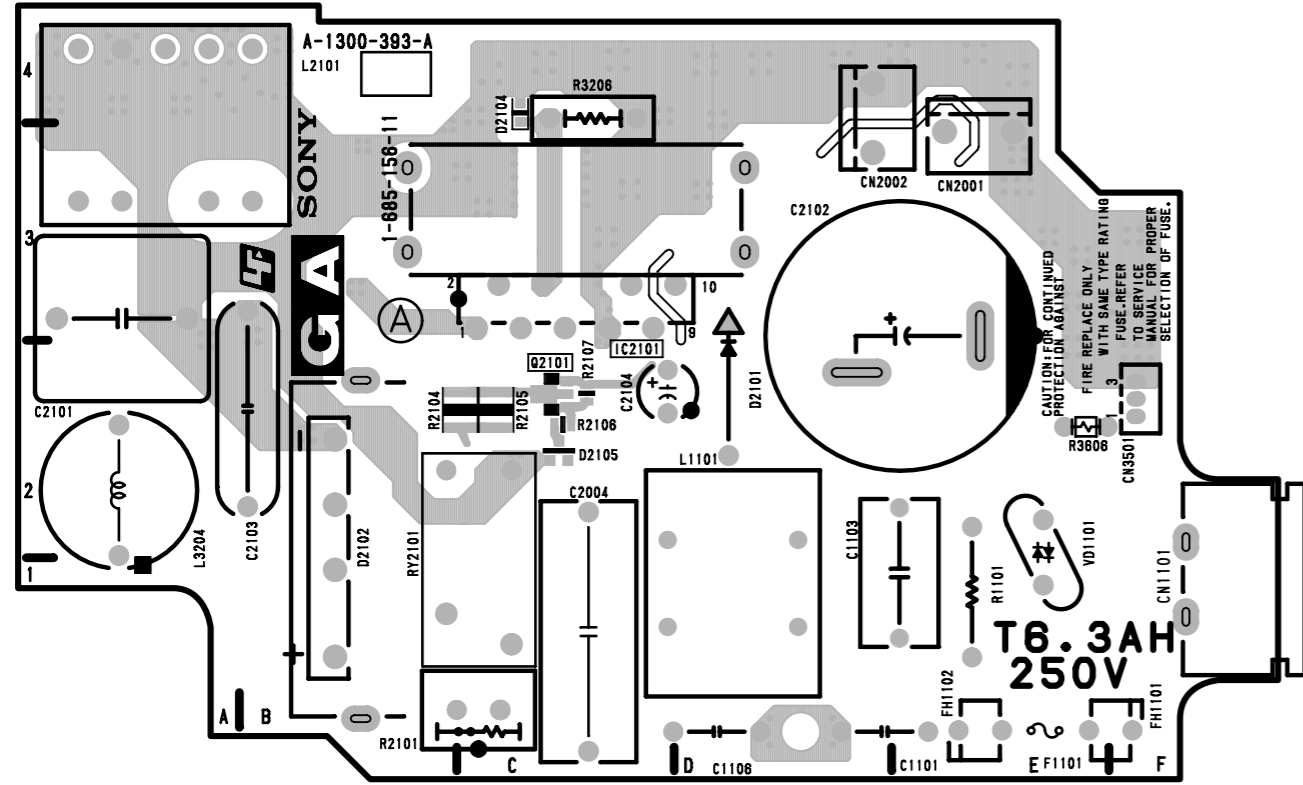
1

2

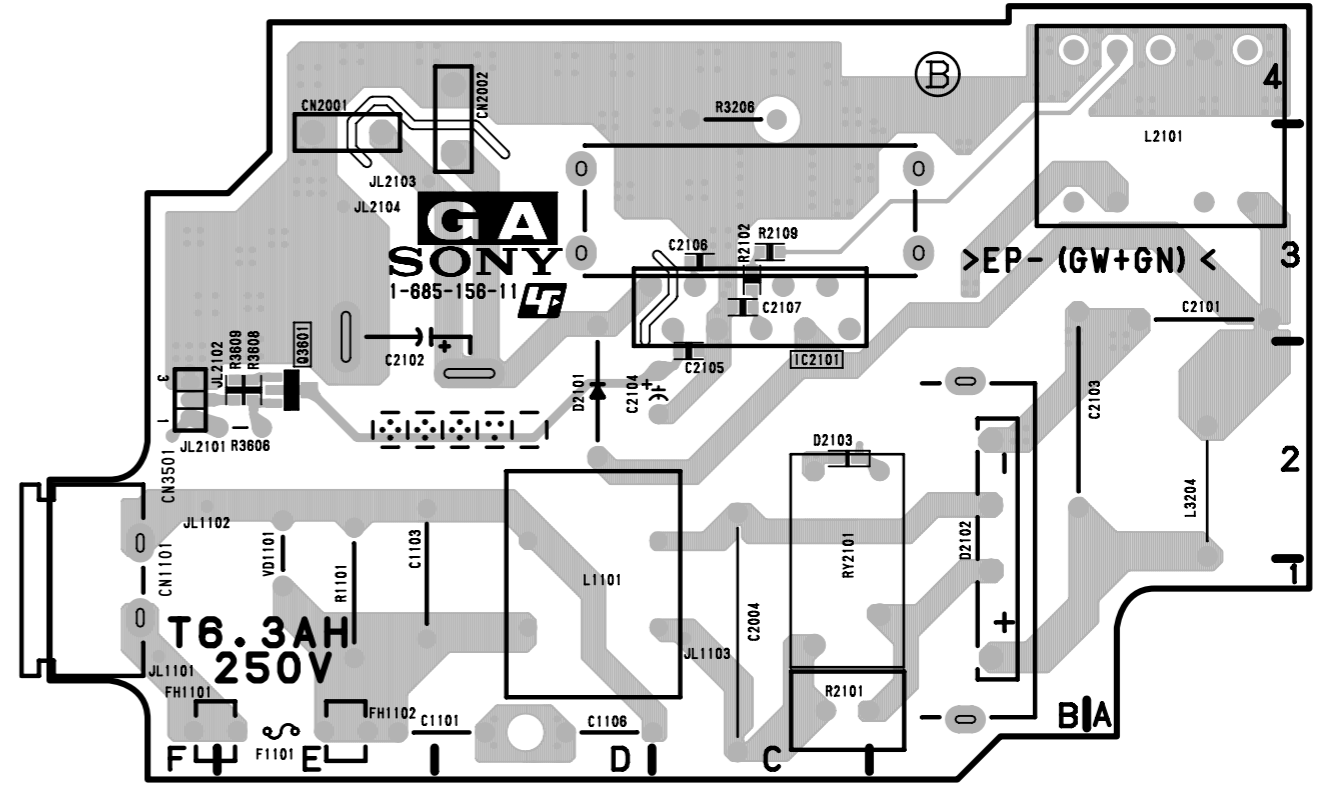
3

4

5



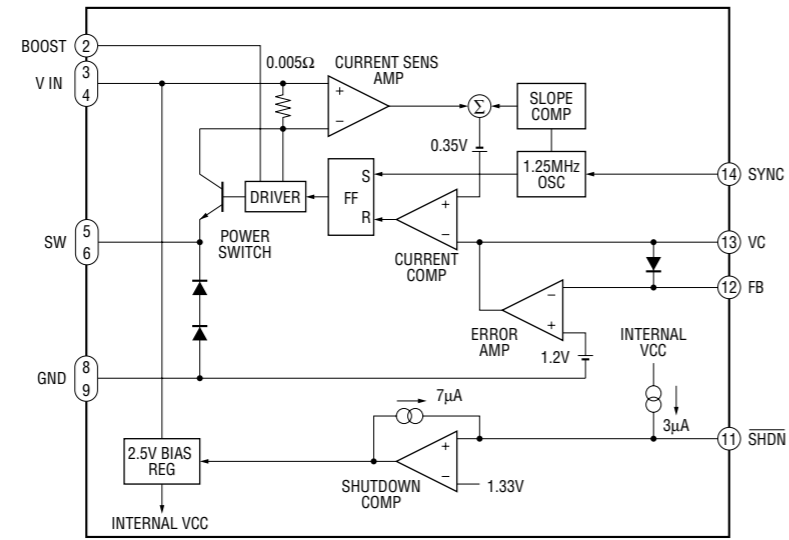
GA -A SIDE-
SUFFIX: -11



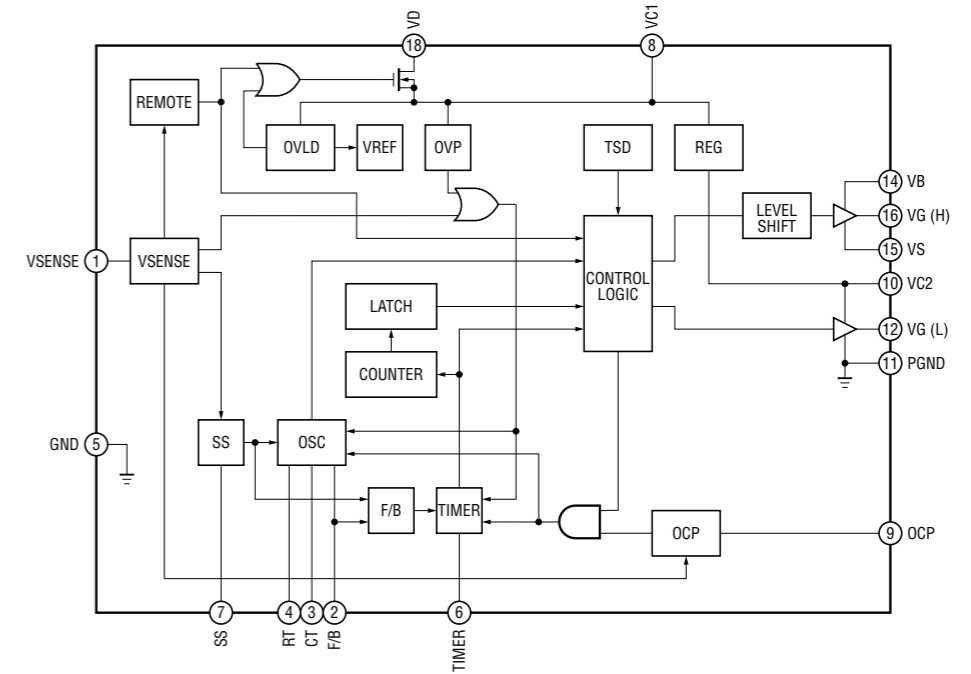
GA -B SIDE-
SUFFIX: -11

- GA BOARD**
*:B SIDE
- D2101 D-2
 - D2102 B-2
 - D2103 * C-2
 - D2104 C-4
 - D2105 C-2
 - IC2101 C-2
 - Q2101 C-2
 - Q3601 * E-2

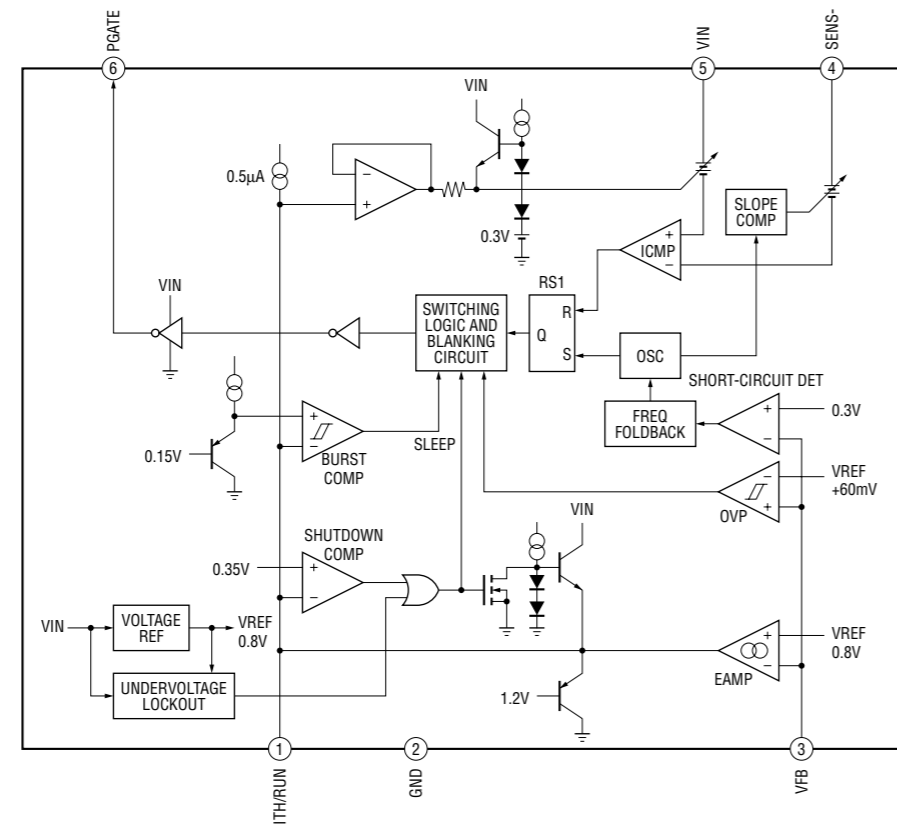
GB LT1765EFE (IC3201)



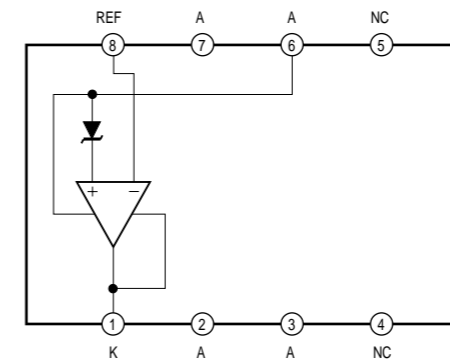
GB MCZ3001D (IC3100)



GB LTC1772CS6 (IC3202)



GB TL431BCDR2 (IC3102)



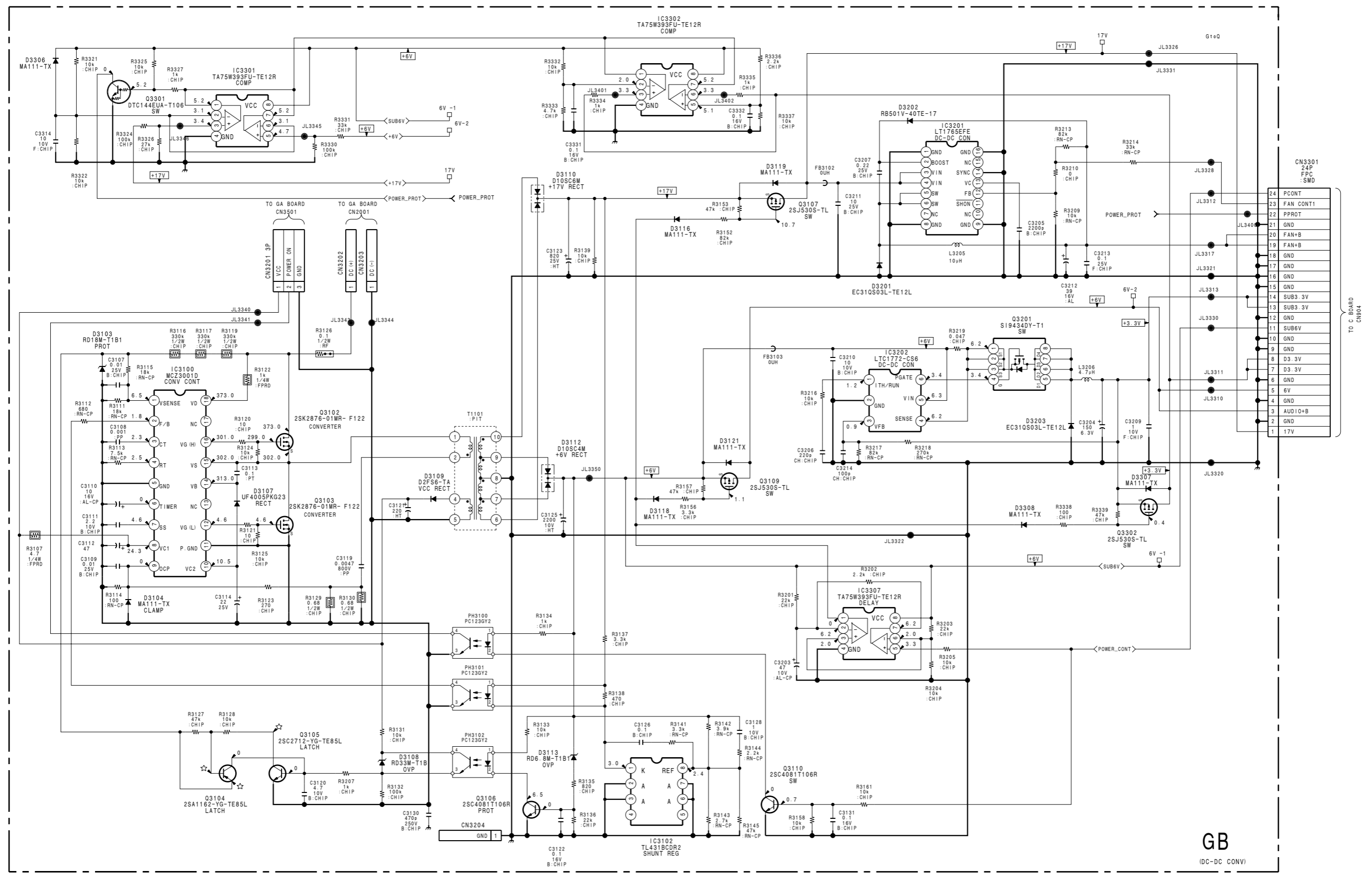
1

2

3

4

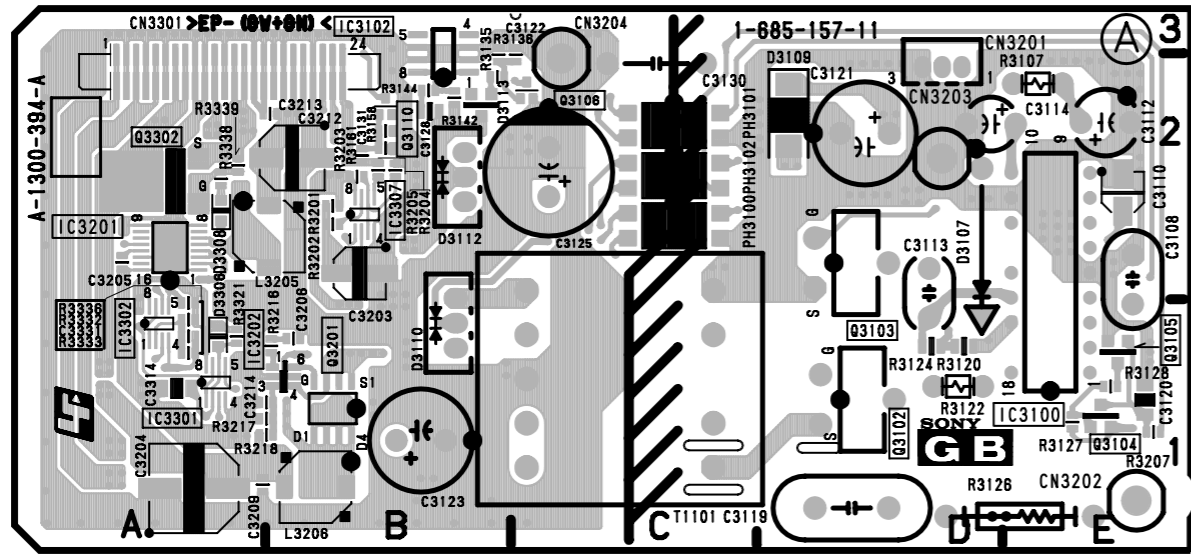
5



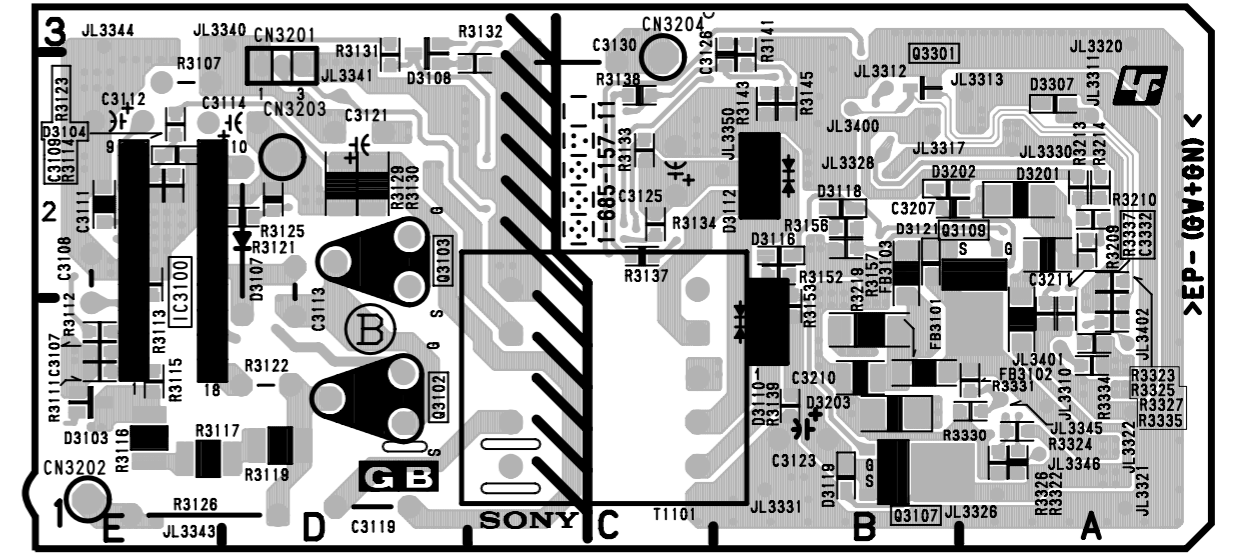
GB

(DC-DC CONV)

B-SS1734-GB



GB -A SIDE-
SUFFIX: -11



GB -B SIDE-
SUFFIX: -11

GB BOARD

*: B SIDE

D3103	* E-1
D3104	* E-2
D3107	D-2
D3108	* D-2
D3109	D-2
D3110	B-2
D3112	B-2
D3113	B-2
D3116	* B-2
D3118	* B-2
D3119	* B-1
D3121	* B-2
D3201	* A-1
D3202	* B-2
D3203	* B-1
D3306	A-1
D3307	* A-2
D3308	A-2
IC3100	E-1
IC3102	B-3
IC3201	A-2
IC3202	A-1
IC3301	A-1
IC3302	A-1
IC3307	B-2
Q3102	D-1
Q3103	D-1
Q3104	E-1
Q3105	E-1
Q3106	C-2
Q3107	* B-1
Q3109	* A-2
Q3110	B-2
Q3201	B-1
Q3301	* B-2
Q3302	A-2

SAFETY CHECK-OUT

After correcting the original service problem, perform the following safety checks before releasing the set to the customer :

Check the metal trim, "metallized" knobs, screws, and all other exposed metal parts for AC leakage. Check leakage as described below.

LEAKAGE TEST

The AC leakage from any exposed metal part to earth ground and from all exposed metal parts to any exposed metal part having a return to chassis, must not exceed 0.5 mA. Leakage current can be measured by any one of three methods.

1. A commercial leakage tester, such as the Simpson 229 or RCA WT-540A. Follow the manufacturers' instructions to use these instruments.
2. A battery-operated AC milliammeter. The Data Precision 245 digital multimeter is suitable for this job.
3. Measuring the voltage drop across a resistor by means of a VOM or battery-operated AC voltmeter. The "limit" indication is 0.75 V, so analog meters must have an accurate low-voltage scale. The Simpson 250 and Sanwa SH-63Trd are examples of a passive VOM that is suitable. Nearly all battery operated digital multimeters that have a 2 V AC range are suitable. (See Fig. A)

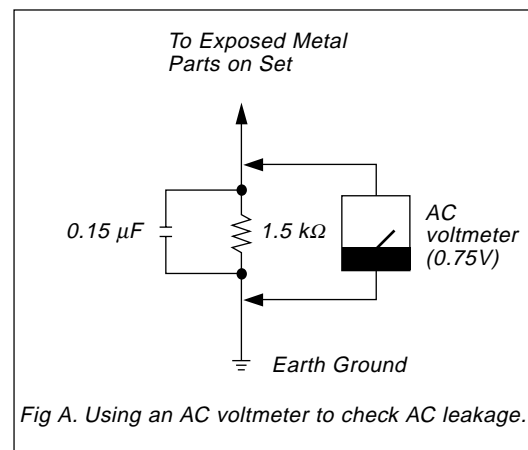


Fig A. Using an AC voltmeter to check AC leakage.

