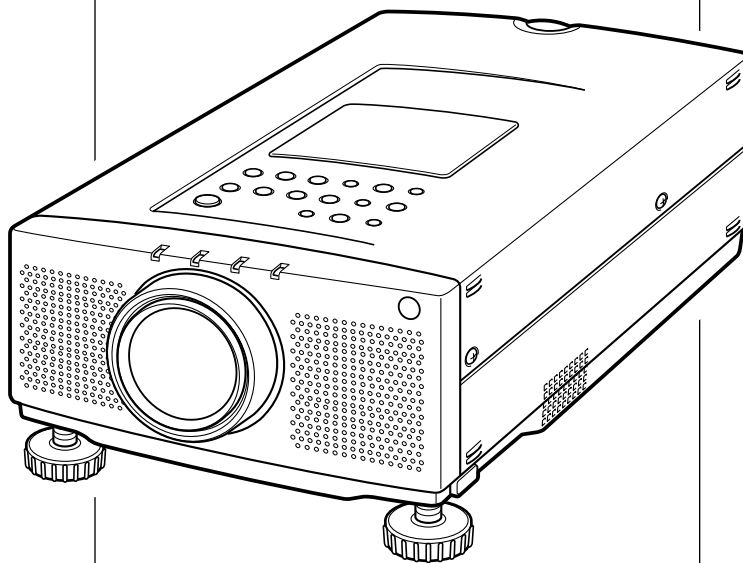


# **SANYO**

## **Multimedia Projector**

**MODEL PLC-SP20N**



**Owner's  
Manual**

## INFORMATION TO THE USER

NOTE : This equipment has been tested and found to comply with the limits for a Class A digital device, pursuant to Part 15 of the FCC Rules. These limits are designed to provide reasonable protection against harmful interference when the equipment is operated in a commercial environment. This equipment generates, uses, and can radiate radio frequency energy and, if not installed and used in accordance with the instruction manual, may cause harmful interference to radio communications. Operation of this equipment in a residential area is likely to cause harmful interference in which case the user will be required to correct the interference at his own expense.

## TO THE OWNER

As the owner of a new Multi-media Projector, you are probably eager to try out your new projector. Before you do, we suggest that you spend a little time reading this manual to familiarize yourself with the operating procedures, so that you will receive maximum satisfaction from the many features included in your new projector.

This owner's manual will acquaint you with your projector's features. Reading it will help us too. Through the years, we have found that many service requests were not caused by problems with our projectors. They were caused by problems that could have been prevented, if the owner had followed the instructions in the manual.

You can often correct operating problems yourself. If your projector fails to work properly, see "TROUBLESHOOTING" section on pages 49 ~ 50 and try the solutions marked for each problem.

## SAFETY PRECAUTIONS

### WARNING:

**TO REDUCE THE RISK OF FIRE OR ELECTRIC SHOCK, DO NOT EXPOSE THIS APPLIANCE TO RAIN OR MOISTURE.**

This Projector has a grounding-type AC line plug. This is a safety feature to be sure that the plug will fit into the power outlet. Do not try to defeat this safety feature.

Intense light source. Do not stare directly into the projection lens as possible eye damage could result. Be especially careful that children do not stare directly into the beam.

If the Projector will not be used for an extended time, unplug the new Projector from the power outlet.

**READ AND KEEP THIS OWNER'S MANUAL FOR LATER USE.**



**CAUTION**  
**RISK OF ELECTRIC SHOCK**  
**DO NOT OPEN**



**CAUTION : TO REDUCE THE RISK OF ELECTRIC SHOCK, DO NOT REMOVE COVER (OR BACK). NO USER-SERVICEABLE PARTS INSIDE EXCEPT LAMP REPLACEMENT. REFER SERVICING TO QUALIFIED SERVICE PERSONNEL.**



THIS SYMBOL INDICATES THAT DANGEROUS VOLTAGE CONSTITUTING A RISK OF ELECTRIC SHOCK IS PRESENT WITHIN THIS UNIT.



THIS SYMBOL INDICATES THAT THERE ARE IMPORTANT OPERATING AND MAINTENANCE INSTRUCTIONS IN THE OWNER'S MANUAL WITH THIS UNIT.

# IMPORTANT SAFETY INSTRUCTIONS

All the safety and operating instructions should be read before the product is operated.

Read all of the instructions given here and retain them for later use. Unplug this projector from AC power supply before cleaning. Do not use liquid or aerosol cleaners. Use a damp cloth for cleaning.

Do not use attachments not recommended by the manufacturer as they may cause hazards.

Do not place this projector on an unstable cart, stand, or table. The projector may fall, causing serious injury to a child or adult, and serious damage to the projector. Use only with a cart or stand recommended by the manufacturer, or sold with the projector. Wall or shelf mounting should follow the manufacturer's instructions, and should use a mounting kit approved by the manufacturer.

Do not expose this unit to rain or use near water... for example, in a wet basement, near a swimming pool, etc...

Slots and openings in the back and bottom of the cabinet are provided for ventilation, to insure reliable operation of the equipment and to protect it from overheating.

The openings should never be covered with cloth or other material, and the bottom opening should not be blocked by placing the projector on a bed, sofa, rug, or other similar surface. This projector should never be placed near or over a radiator or heat register.

This projector should not be placed in a built-in installation such as a bookcase unless proper ventilation is provided.

This projector should be operated only from the type of power source indicated on the marking label. If you are not sure of the type of power supplied, consult your authorized dealer or local power company.

Do not overload wall outlets and extension cords as this can result in fire or electric shock. Do not allow anything to rest on the power cord. Do not locate this projector where the cord may be damaged by persons walking on it.

Never push objects of any kind into this projector through cabinet slots as they may touch dangerous voltage points or short out parts that could result in a fire or electric shock. Never spill liquid of any kind on the projector.

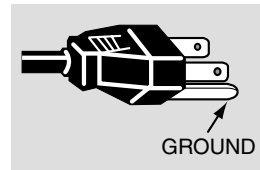
Do not attempt to service this projector yourself as opening or removing covers may expose you to dangerous voltage or other hazards. Refer all servicing to qualified service personnel.

Unplug this projector from wall outlet and refer servicing to qualified service personnel under the following conditions:

- When the power cord or plug is damaged or frayed.
- If liquid has been spilled into the projector.
- If the projector has been exposed to rain or water.
- If the projector does not operate normally by following the operating instructions. Adjust only those controls that are covered by the operating instructions as improper adjustment of other controls may result in damage and will often require extensive work by a qualified technician to restore the projector to normal operation.
- If the projector has been dropped or the cabinet has been damaged.
- When the projector exhibits a distinct change in performance-this indicates a need for service.

When replacement parts are required, be sure the service technician has used replacement parts specified by the manufacturer that have the same characteristics as the original part. Unauthorized substitutions may result in fire, electric shock, or injury to persons.

Upon completion of any service or repairs to this projector, ask the service technician to perform routine safety checks to determine that the projector is in safe operating condition.



This projector is equipped with a grounding type AC line plug. Should you be unable to insert the plug into the outlet, contact your electrician. Do not defeat the safety purpose of this grounding type plug.

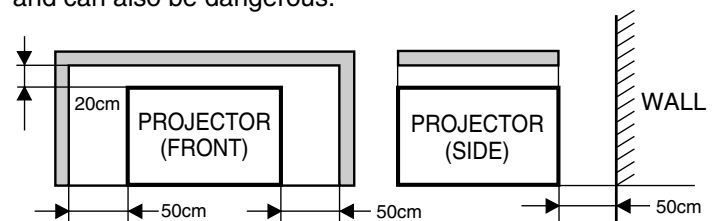
Follow all warnings and instructions marked on the projectors.

For added protection to the projector during a lightning storm, or when it is left unattended and unused for long periods of time, unplug it from the wall outlet. This will prevent damage due to lightning and powerline surges.



An appliance and cart combination should be moved with care. Quick stops, excessive force, and uneven surfaces may cause the appliance and cart combination to overturn.

If the projector is to be built into a compartment or similarly enclosed, the minimum distances must be maintained. Do not cover the ventilation slot on the projector. Heat build-up can reduce the service life of your projector, and can also be dangerous.



# TABLE OF CONTENTS

|   | PAGE         |                                      | PAGE         |
|---|--------------|--------------------------------------|--------------|
| <b>INTRODUCTION</b>                           | <b>5</b>     | SOUND MUTE FUNCTION                  | 28           |
| COMPATIBILITY                                 | 5            | ZOOM ADJUSTMENT                      | 28           |
| IMAGE RESOLUTION                              | 5            | FOCUS ADJUSTMENT                     | 28           |
| PORTABILITY                                   | 5            | DIGITAL ZOOM ADJUSTMENT              | 28           |
| UNPACKING THE PROJECTOR                       | 5            | NORMAL PICTURE FUNCTION              | 28           |
| TRADEMARKS                                    | 5            | NO SHOW FUNCTION                     | 28           |
| <b>POWER REQUIREMENT</b>                      | <b>6</b>     | P-TIMER FUNCTION                     | 28           |
| <b>DESCRIPTION</b>                            | <b>7</b>     | FREEZE PICTURE FUNCTION              | 28           |
| <b>SETTING-UP THE PROJECTOR</b>               | <b>8-9</b>   | AUTO IMAGE FUNCTION                  | 28           |
| POSITIONING                                   | 8            | MENU OPERATION                       | 29-46        |
| ROOM LIGHT                                    | 8            | MODE SELECT                          | 29           |
| VENTILATION                                   | 8            | SOUND ADJUSTMENT                     | 30           |
| ADJUSTABLE FEET                               | 9            | LANGUAGE ADJUSTMENT                  | 30           |
| <b>MOVING THE PROJECTOR</b>                   | <b>9</b>     | COLOR SYSTEM SELECT                  | 31           |
| <b>CONNECTING THE PROJECTOR</b>               | <b>10-17</b> | PICTURE IMAGE ADJUSTMENT             | 32           |
| CONNECTING THE COMPUTER                       | 10-14        | PICTURE SCREEN ADJUSTMENT            | 33           |
| Connecting an IBM-compatible desktop computer | 11           | COMPUTER SYSTEM SELECT               | 34           |
| Connecting a Macintosh desktop computer       | 12           | COMPATIBLE COMPUTER SPECIFICATION    | 35           |
| Connecting an IBM-compatible laptop computer  | 13           | AUTO IMAGE FUNCTION                  | 36           |
| Connecting a Macintosh PowerBook computer     | 14           | PICTURE IMAGE ADJUSTMENT             | 37           |
| CONNECTING THE VIDEO EQUIPMENT                | 15-16        | PICTURE POSITION ADJUSTMENT          | 38           |
| CONNECTING AN EXTERNAL SPEAKER                | 17           | PC ADJUSTMENT                        | 39-42        |
| <b>OPERATION OF CONTROLS</b>                  | <b>18-20</b> | PICTURE SCREEN ADJUSTMENT            | 43           |
| TOP OF THE PROJECTOR                          | 18-19        | OTHER FUNCTION SETTING               | 44-46        |
| REAR OF THE PROJECTOR                         | 20           | BLUE BACK                            | 44-45        |
| <b>OPERATION OF REMOTE CONTROL</b>            | <b>21-23</b> | DISPLAY                              | 44-45        |
| REMOTE CONTROL BATTERY INSTALLATION           | 23           | CEILING                              | 44-45        |
| USING THE REMOTE CONTROL UNIT                 | 23           | REAR                                 | 44-45        |
| <b>CONTROL THE PROJECTOR</b>                  | <b>24-26</b> | SPLIT WIPE                           | 44-45        |
| DIRECT OPERATION                              | 24           | LAMP AGE                             | 46           |
| MENU OPERATION                                | 25-26        | <b>AIR FILTER CARE AND CLEANING</b>  | <b>47</b>    |
| <b>USING THE PROJECTOR</b>                    | <b>27-46</b> | <b>TEMPERATURE WARNING INDICATOR</b> | <b>47</b>    |
| TO TURN ON THE PROJECTOR                      | 27           | <b>LAMP REPLACEMENT</b>              | <b>48</b>    |
| TO TURN OFF THE PROJECTOR                     | 27           | <b>CLEANING THE LENS</b>             | <b>49</b>    |
| DIRECT OPERATION                              | 27           | <b>TROUBLESHOOTING</b>               | <b>49-50</b> |
| MODE SELECT                                   | 27           | <b>TECHNICAL SPECIFICATIONS</b>      | <b>51</b>    |
| SOUND VOLUME ADJUSTMENT                       | 28           |                                      |              |

# INTRODUCTION

The projector is a multimedia projector designed for portability, durability, and ease of use. The projector utilizes built-in multimedia features, a palette of 16.77 million colors, and active matrix liquid crystal display (LCD) technology.

## COMPATIBILITY

The projector is compatible with many different types of personal computers and video devices, including;

- IBM-compatible computers, including laptops, up to 1024 x 768 resolution.
- Apple Macintosh and PowerBook computers up to 1024 x 768 resolution.
- Various VCRs, video disc players, video cameras, DVD players, satellite TV tuners or other AV equipment using any of the worldwide video standards, including NTSC, NTSC4.43, PAL, SECAM and PAL-M.

## IMAGE RESOLUTION

The resolution of the projector's projected image is 800 x 600. The projector displays computer images just as they appear on your computer's monitor. Screen resolutions between 800 x 600 and 1024 x 768 are compressed to 800 x 600. The projector cannot display screen resolutions above 1024 x 768. If your computer's screen resolution is higher than 1024 x 768, reset it to a lower resolution before you connect the projector.

## PORTABILITY

The projector is extremely compact in size and weight. Having a sophisticated shape like an attach-G case with a retractable carrying handle, the projector will help you make powerful presentations wherever you go.

## UNPACKING THE PROJECTOR

The projector comes with the parts listed below. Check to make sure all are included. If any parts are missing, contact an authorized dealer or service station.

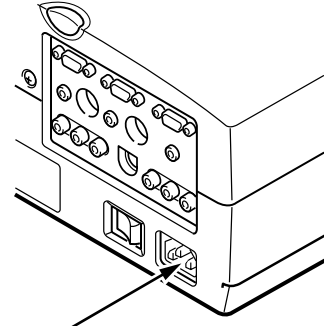
- Owner's Manual.
- AC Power Cord.
- Remote Control Transmitter Unit and batteries.
- Lens Cover.
- Protective Dust Cover.
- VGA Cable.
- Mouse Cable for PS/2 port.

## TRADEMARKS

- Apple, Macintosh, and PowerBook are trademarks or registered trademarks of Apple Computer, Inc.
- IBM and PS/2 are trademarks or registered trademarks of International Business Machines, Inc.

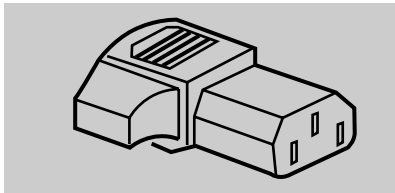
# POWER REQUIREMENTS

Your projector uses nominal input voltages of 100-120 VAC. The projector automatically selects the correct input voltage. The projector is designed to work with single-phase power systems having a grounded neutral conductor. To reduce the risk of electrical shock, do not plug into any other type of power system. Consult your authorized dealer or service station if you are not sure what type of power is supplied to your building.

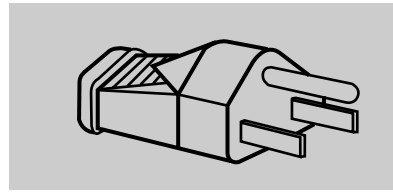


Connect the AC power supply cord (supplied) to the projector.

Projector side (Female)

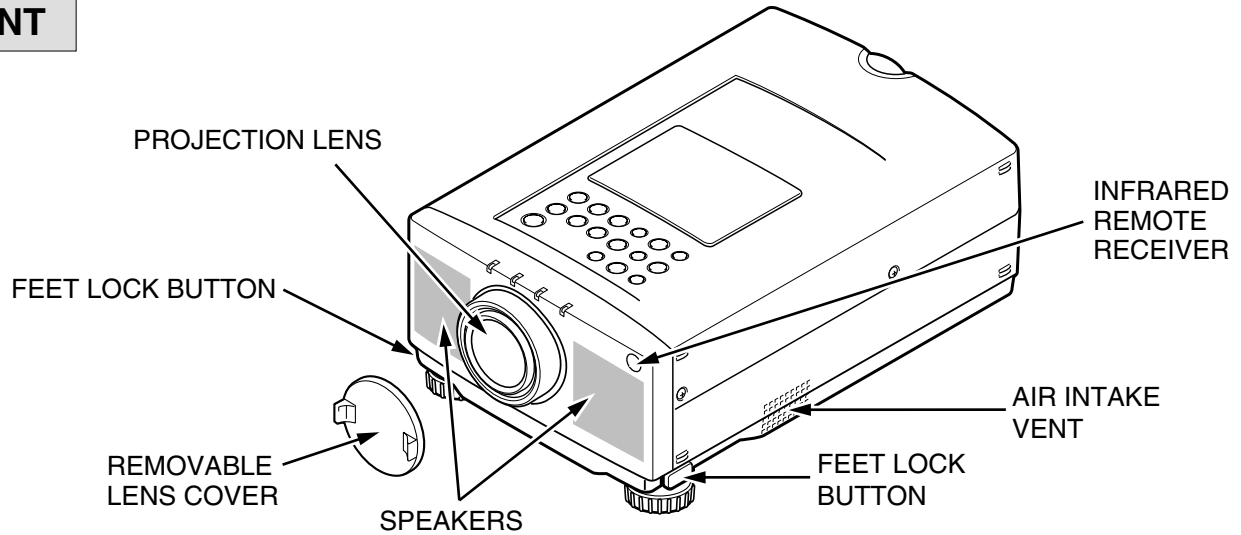


AC outlet side (Male)



# DESCRIPTION

## FRONT



## REAR

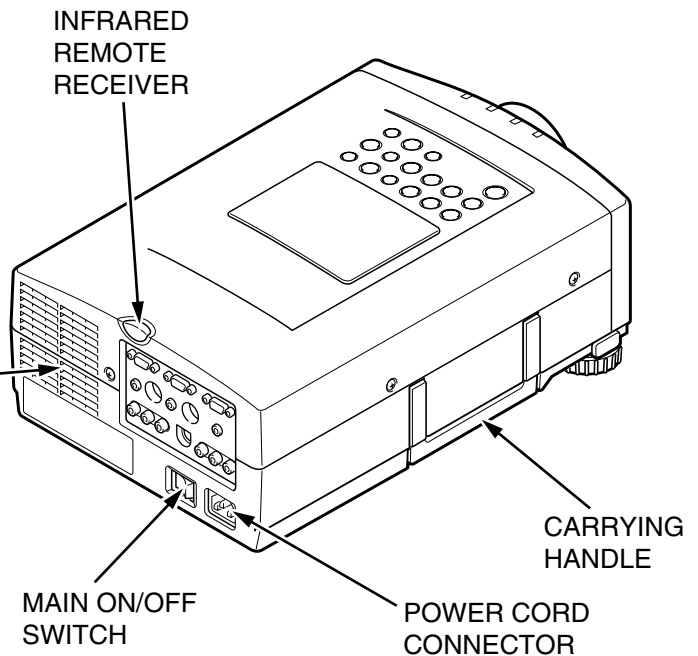
### EXHAUST VENT



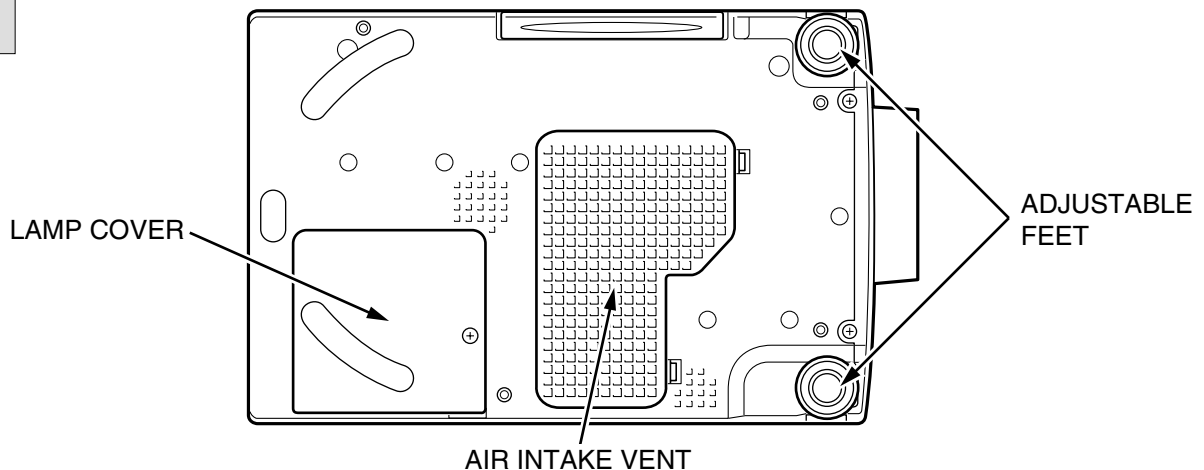
### CAUTION HOT AIR !

Air blown from the exhaust vent is hot. Observe the following when handling your projector or choosing a location to install it.

- Keep heat-sensitive objects away from the exhaust port.
- If you set the projector on top of a metallic surface, the surface will become hot because of the hot air exhaust. Be careful when handling.
- Do not touch the cabinet near to the exhaust vent area, and especially screws and metallic parts. These parts will become hot while the projector is used.



## BOTTOM



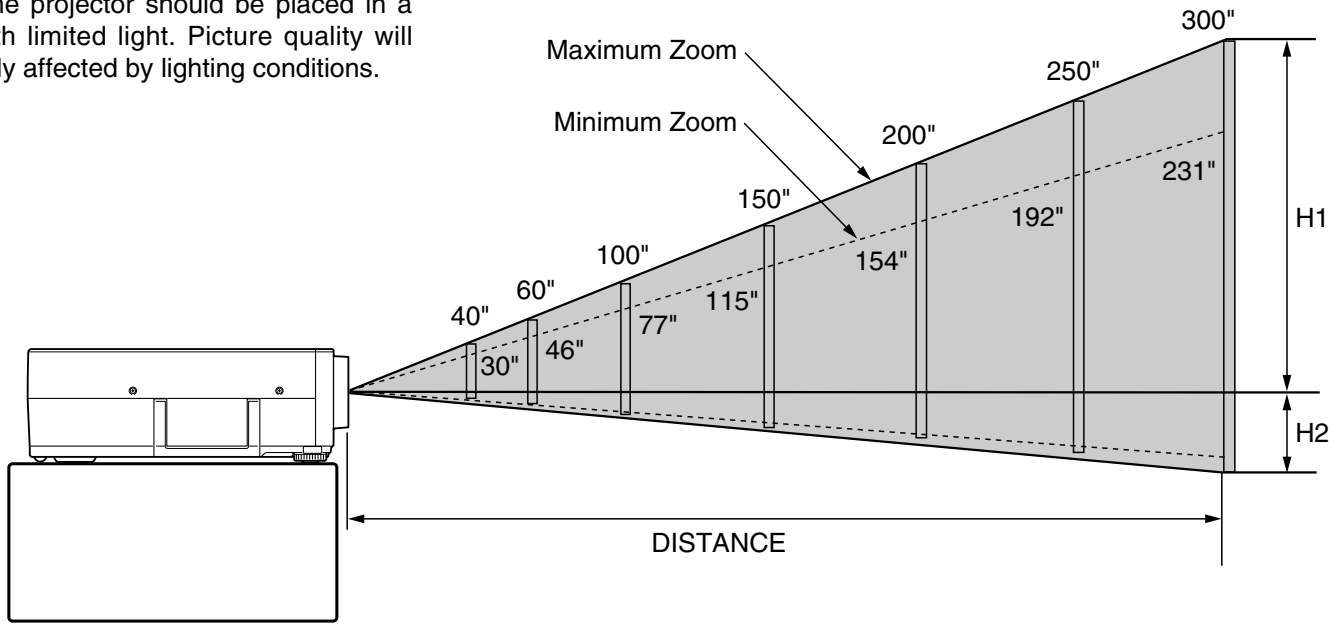
# SETTING-UP THE PROJECTOR

## POSITIONING:

- This projector is basically designed to project on a flat projection surface.
- This projector can be focused from 4.6' (1.4 m) ~ 35.4' (10.8 m).
- Use the illustration below as an example when positioning the projector to the screen.

## ROOM LIGHT

Ideally the projector should be placed in a room with limited light. Picture quality will be directly affected by lighting conditions.



|             |           |             |             |              |              |              |              |               |
|-------------|-----------|-------------|-------------|--------------|--------------|--------------|--------------|---------------|
| Screen Size | Max. Zoom | 40"         | 60"         | 100"         | 150"         | 200"         | 250"         | 300"          |
|             | Min. Zoom | 30"         | 46"         | 77"          | 115"         | 154"         | 192"         | 231"          |
| Distance    |           | 4.6' (1.4m) | 7.2' (2.2m) | 11.8' (3.6m) | 17.7' (5.4m) | 23.6' (7.2m) | 29.5' (9.0m) | 35.4' (10.8m) |

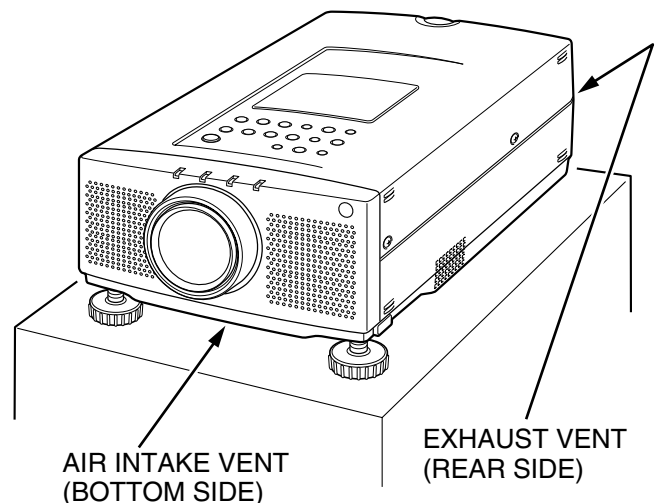
|                        |           |           |         |           |           |            |           |
|------------------------|-----------|-----------|---------|-----------|-----------|------------|-----------|
| Screen Size (W x H) mm | 30"       | 60"       | 100"    | 150"      | 200"      | 250"       | 300"      |
|                        | 24 x 18   | 48 x 36   | 80 x 60 | 120 x 90  | 160 x 120 | 200 x 150  | 240 x 180 |
| Height (H1)            | 17.1 inch | 34.2 inch | 57 inch | 85.5 inch | 114 inch  | 142.5 inch | 171 inch  |
| Height (H2)            | 0.9 inch  | 1.8 inch  | 3 inch  | 4.5 inch  | 6 inch    | 7.5 inch   | 9 inch    |

## VENTILATION

This projector is equipped with a cooling fan to protect it from overheating. Pay attention to the following to ensure the ventilation and avoid a possible risk of fire and malfunction.



- Do not cover the vents with papers or other materials.
- Keep the rear grill at least 3.3' (1m) away from any object.
- Make sure that there are no objects under the projector. An object under the projector may prevent the projector from taking the cooling air through the bottom vent.

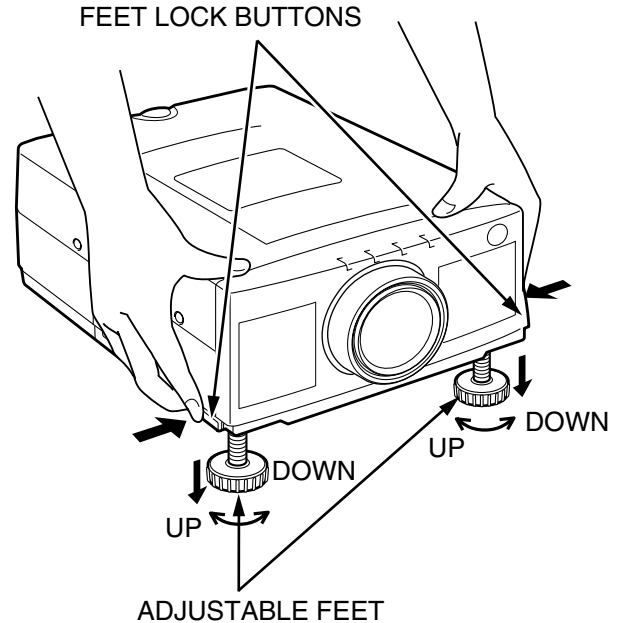




## ADJUSTABLE FEET

Picture tilt and projection angle can be adjusted by ADJUSTABLE FEET. Projection angle can be adjusted 0 to 6°.

1. Lift the front of the projector and press the feet lock buttons (left and right) under the sides of the projector.  
When the buttons are pressed, feet lock is released.
2. Release the buttons at desired front height position. (feet is locked).
3. Turn the adjustable feet and adjust picture position and tilt.

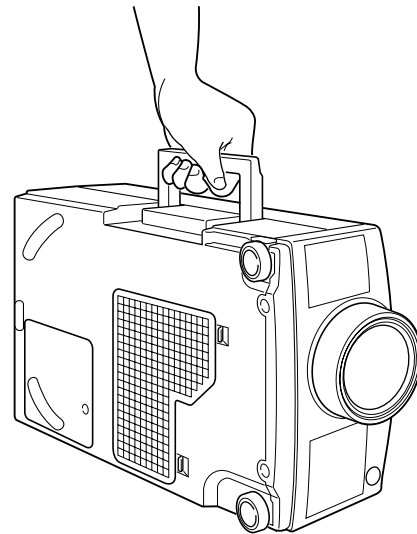


## MOVING THE PROJECTOR

Use the carrying handle when moving the projector.



Replace the lens cover and retract the adjustable feet when moving the projector to prevent damage to the projector.



## CAUTION IN CARRYING OR TRANSPORTING THE PROJECTOR

- Do not drop or give a shock to the projector, otherwise damage or malfunction may result.
- When carrying the projector, use a Sanyo recommended Carrying Case.
- Do not transport the projector by using a courier or transport service in an unsuitable transport case. This may cause damage to the projector. To transport the projector through a courier or transport service, use a Sanyo recommended Case.
- For a carrying or transportation cases, contact a Sanyo authorized dealer.

# CONNECTING THE PROJECTOR

Your projector is equipped with various audio/video inputs and outputs including Computer HDB15-pin (VGA) terminals, Monitor HDB15-pin (VGA) terminals and S-VHS video.

## CONNECTING THE COMPUTER

### CONNECTING TO THE COMPUTER INPUT HDB15-PIN (VGA) TERMINALS (1 and 2)

Personal computers can be connected to the HDB15-pin (VGA) terminal on the projector.

- Connect the computer to these terminals using the VGA cable and VGA/MAC adapter (not provided).

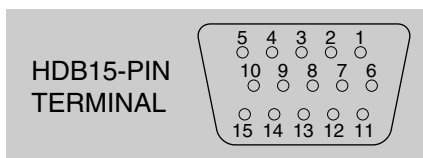
**WARNING:** For projectors, the VGA cable provided is designed to reduce RFI (Radio Frequency Interference) emissions. For regulatory compliance reasons, this cable must be used and must not be replaced by any other cable.

### CONNECTING TO THE MONITOR OUTPUT HDB15-PIN (VGA) TERMINAL

This terminal contains the information that is viewed on the screen.

An external monitor can be connected to the HDB15-pin (VGA) terminal on the projector.

- Connect the monitor to this terminal using a monitor cable (not provided).



#### Pin No./Signal

- 1 Red input
- 2 Green input
- 3 Blue input
- 4 Sense 2
- 5 Ground (Horiz. sync.)
- 6 Ground (Red)
- 7 Ground (Green)
- 8 Ground (Blue)

#### Pin No./Signal

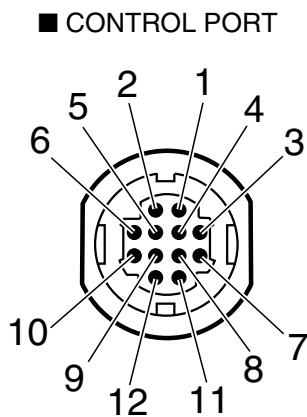
- 9 Non Connect
- 10 Ground (Vert. sync.)
- 11 Sense 0
- 12 Sense 1
- 13 Horiz. sync.
- 14 Vert. sync.
- 15 Reserved

### CONNECTING TO THE COMPUTER AUDIO INPUT JACKS (1 and 2)

- Connect audio outputs from your computer to these jacks using the audio cable (not provided).

### CONNECTING TO THE MULTI-POLE 12-PIN (CONTROL PORT) CONNECTORS (1 and 2)

- If you wish to control the computer with projector's remote control unit, you must connect the control port on your computer to the projector's control port with the control cable for PS/2 port (provided).

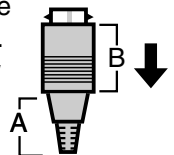


|    | PS/2-port | Serial Port | ADB Port |
|----|-----------|-------------|----------|
| 1  | _____     | TxD         | _____    |
| 2  | CLK       | _____       | ADB      |
| 3  | DATA      | _____       | _____    |
| 4  | _____     | _____       | _____    |
| 5  | _____     | *RxD        | _____    |
| 6  | _____     | _____       | _____    |
| 7  | _____     | READY       | _____    |
| 8  | _____     | _____       | _____    |
| 9  | GND       | GND         | GND      |
| 10 | _____     | _____       | _____    |
| 11 | _____     | _____       | _____    |
| 12 | _____     | _____       | _____    |

#### CONTROL PORT CABLE REMOVAL HINT

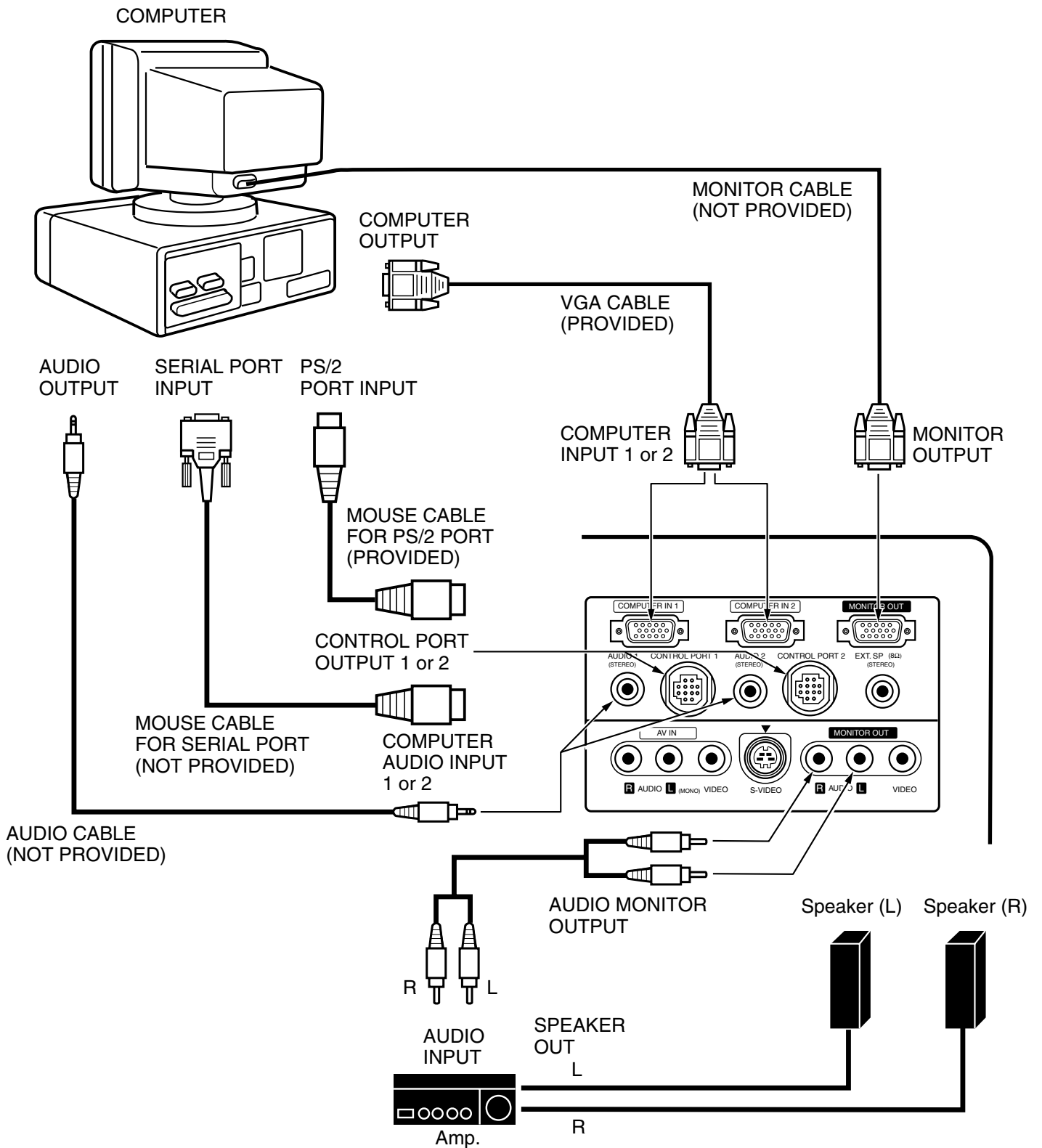
Disconnect control port cable with following steps.

1. Hold the portion (A) of the connector with one hand.
2. Pull the portion (B) arrow direction and remove connector.



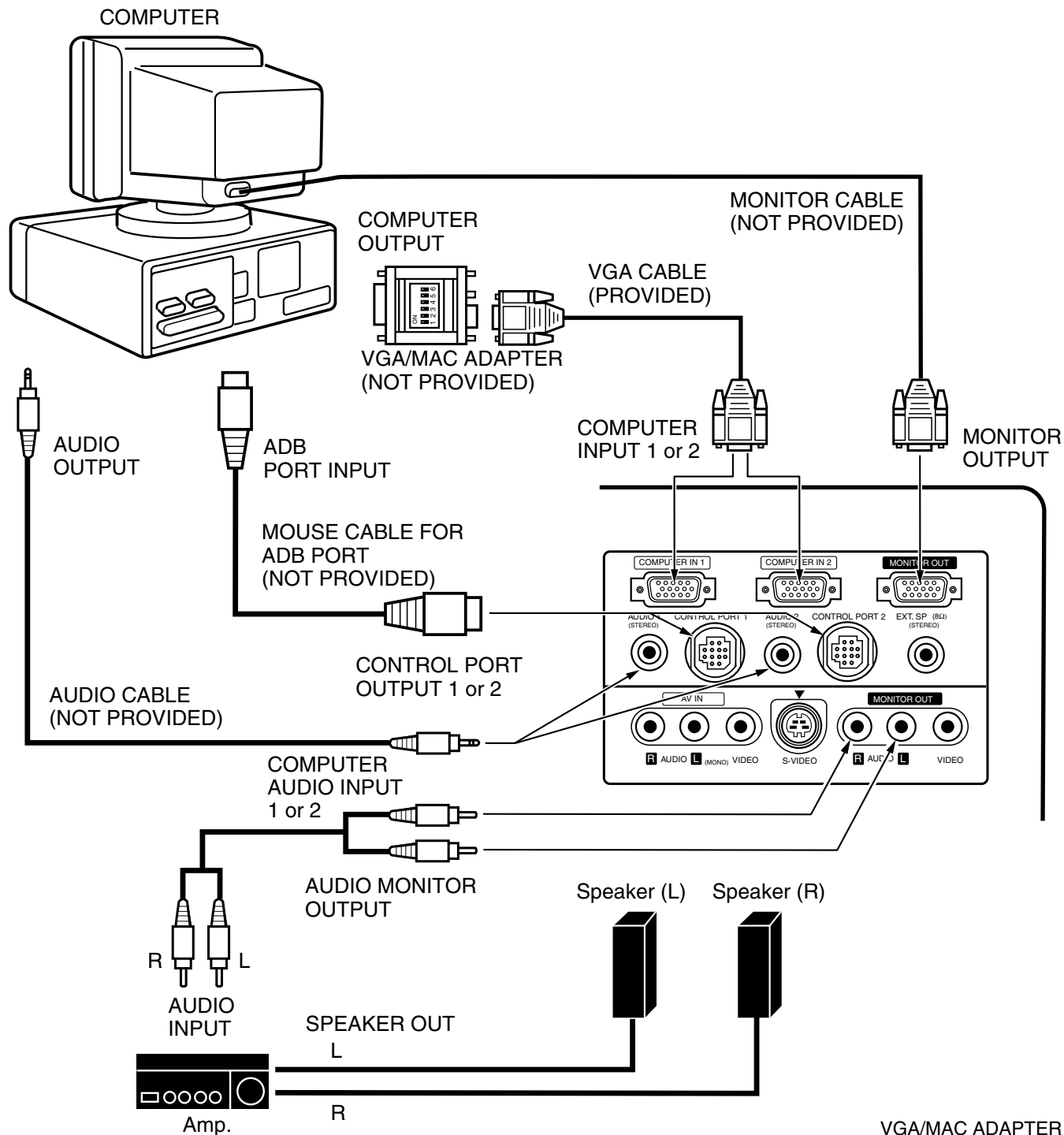
\* **NOTE:** The RxD port (5 pin on the Serial Port) is provided on control port 2 connector only. If you control the projector by computer, you must connect control port 2 connector.

# Connecting an IBM-compatible desktop computer



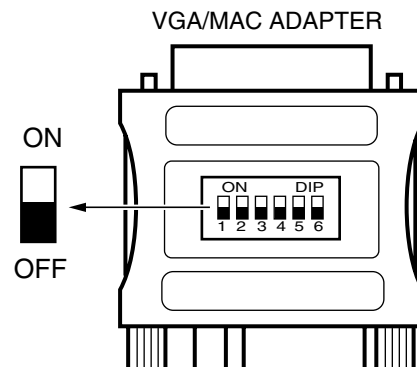
**NOTE:** The hook up should be done as per the above illustration. After hook up, turn on the projector, monitor, computer, in that order.

## Connecting a Macintosh desktop computer



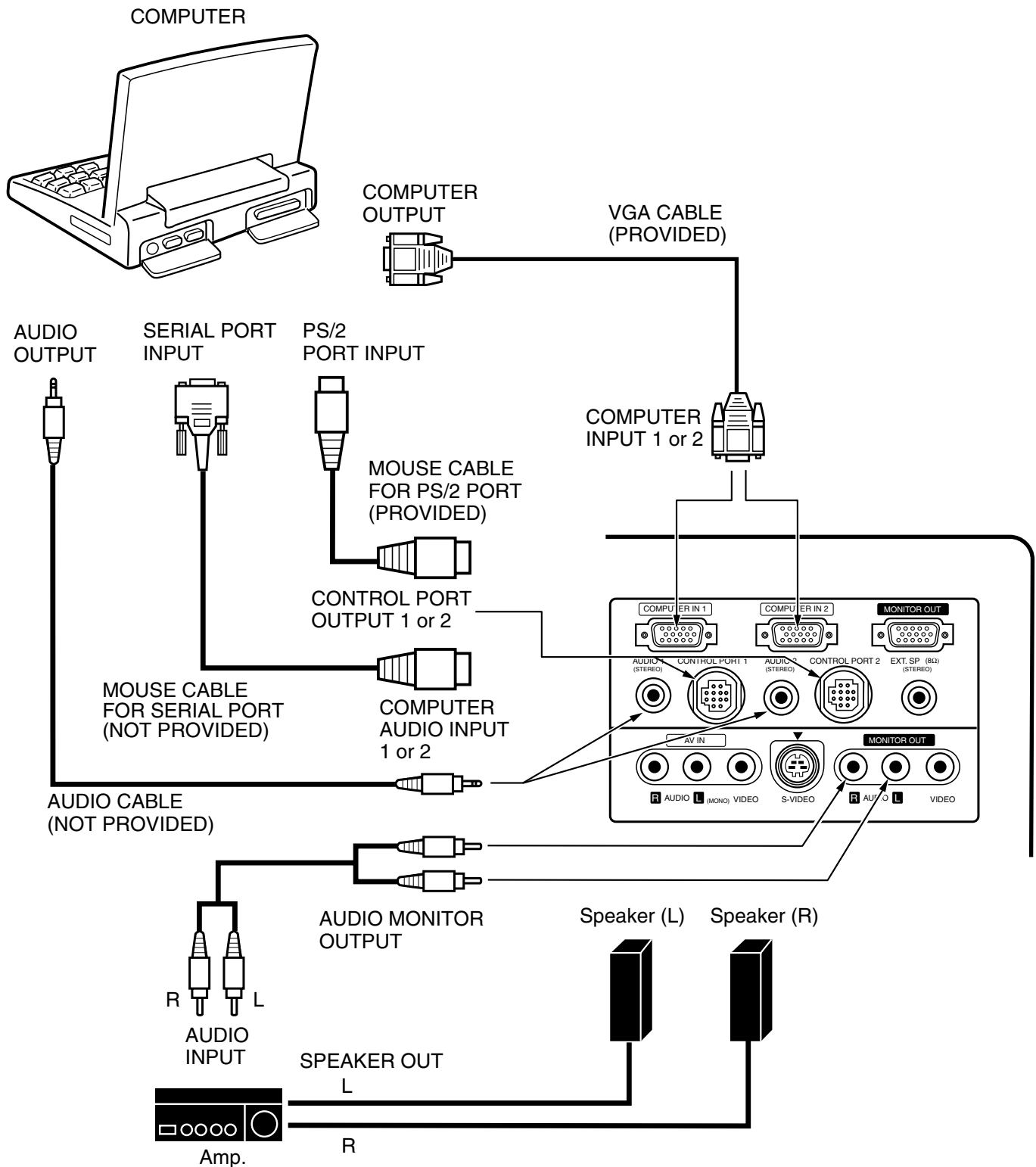
Set the dip switches as shown in the table below depending on the RESOLUTION MODE that you want to use before you turn on the projector and computer.

| RESOLUTION MODE       | SW1 | SW2 | SW3 | SW4 | SW5 | SW6 |
|-----------------------|-----|-----|-----|-----|-----|-----|
| 13" MODE (640 x 480)  | ON  | ON  | OFF | OFF | OFF | OFF |
| 16" MODE (832 x 624)  | OFF | ON  | OFF | ON  | OFF | OFF |
| 19" MODE (1024 x 768) | OFF | ON  | ON  | OFF | OFF | OFF |



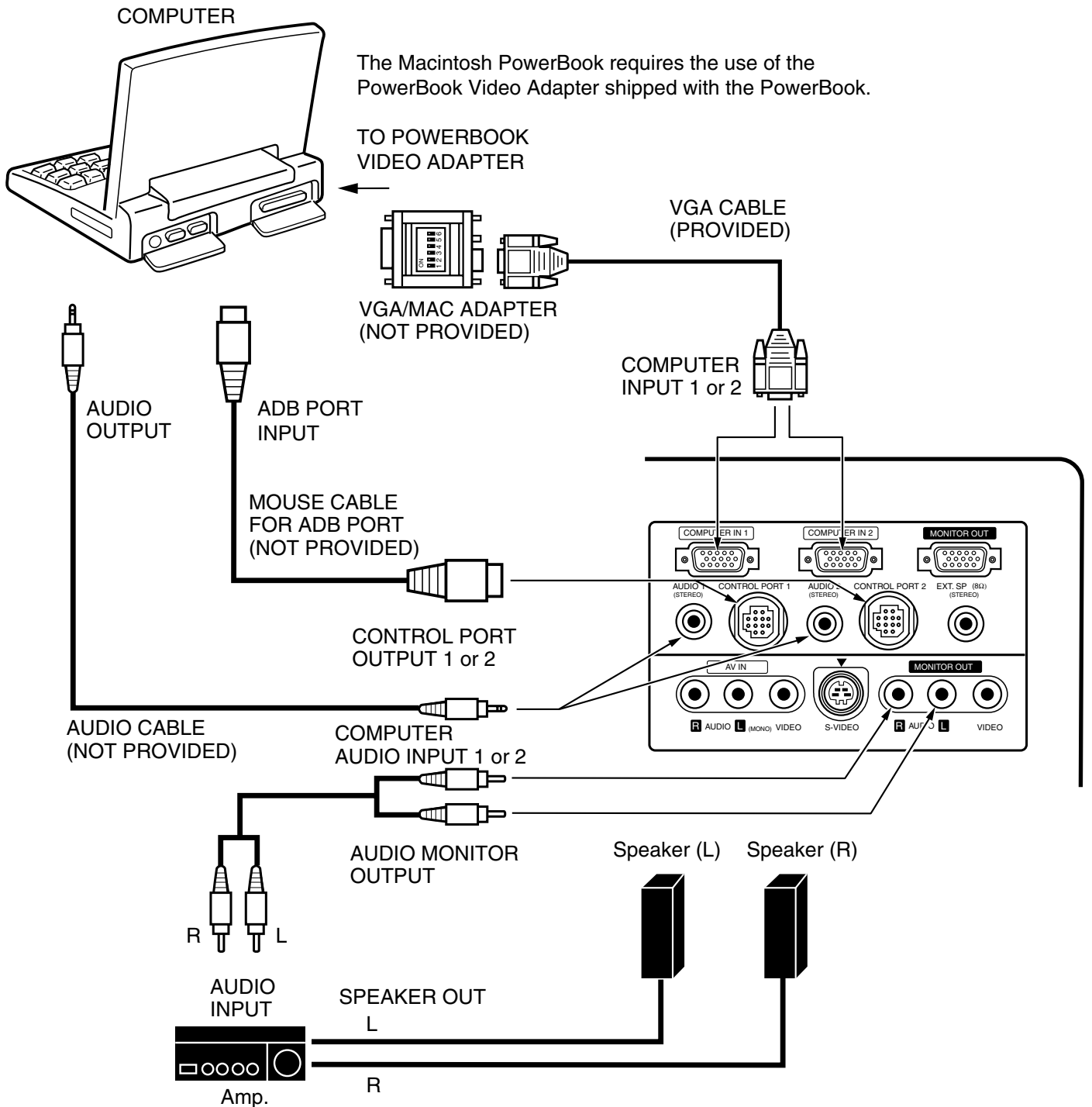
**NOTE:** The hook up should be done as per the above illustration. After hook up, turn on the projector, monitor, computer, in that order.

# Connecting an IBM-compatible laptop computer



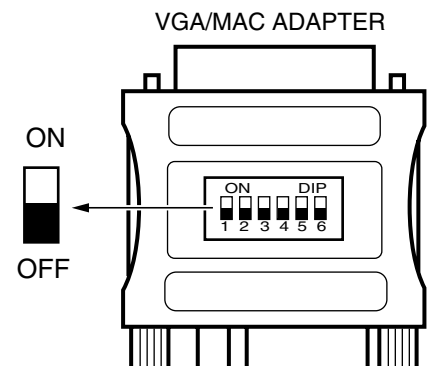
**NOTE:** The hook up should be done as per the above illustration. After hook up, turn on the projector, computer, in that order.

# Connecting a Macintosh PowerBook computer



Set the dip switches as shown in the table below depending on the RESOLUTION MODE that you want to use before you turn on the projector and computer.

| RESOLUTION MODE       | SW1 | SW2 | SW3 | SW4 | SW5 | SW6 |
|-----------------------|-----|-----|-----|-----|-----|-----|
| 13" MODE (640 x 480)  | ON  | ON  | OFF | OFF | OFF | OFF |
| 16" MODE (832 x 624)  | OFF | ON  | OFF | ON  | OFF | OFF |
| 19" MODE (1024 x 768) | OFF | ON  | ON  | OFF | OFF | OFF |



**NOTE:** The hook up should be done as per the above illustration. After hook up, turn on the projector, computer, in that order.

## **CONNECTING THE VIDEO EQUIPMENT**

### **CONNECTING TO THE AV INPUT JACKS**

Connect to the video and audio outputs of a VCR, video disc player, DVD player, video camera, satellite TV tuner or other AV equipment.

- Connect audio/video outputs from external sources to the input jacks using the audio/video cable.
- If the audio signal from the AV equipment is stereo, be sure to connect the right and left channels to the respective right and left audio input jacks.
- If the external audio signal is monaural, connect it to the left jack.

### **S-VHS FORMAT VCR CONNECTION**

The AV input includes an extra video input jack marked S-VIDEO to allow connection to an S-VHS format VCR that has separate Y/C video signals. The S-VIDEO jack has priority over the VIDEO jack.

### **CONNECTING TO THE VIDEO MONITOR OUTPUT JACK**

This jack will contain the video information of the selected program source video only. If you select program source Computer 1 or Computer 2, there is no signal.

Connect video input from AV equipment to this jack by RCA cable.

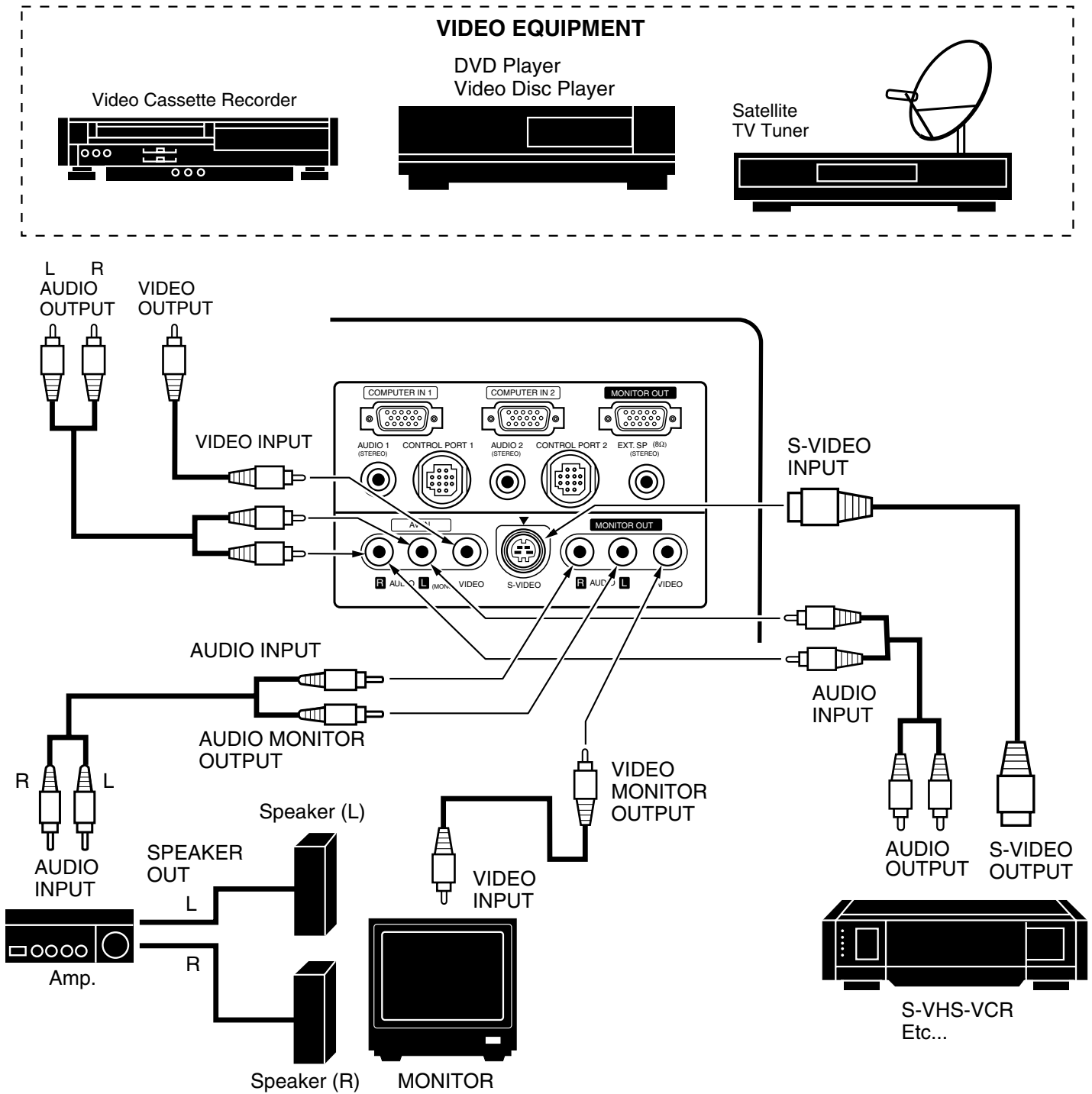
Whenever the S-VIDEO signal source is viewed on the screen, the video signal available at the MONITOR OUTPUT jack will be in black and white (monochrome).

### **CONNECTING TO THE AUDIO MONITOR OUTPUT JACKS**

These jacks will contain the audio information of the selected program source being viewed on the screen (Computer 1, Computer 2 or Video 1). If you have selected program source Computer 1 the audio signal connected to the Computer 1 audio input jack will be available at the audio monitor output jacks.

- If the audio input of the audio equipment is stereo, be sure to connect the right and left channels to the respective right and left jacks.
- If the audio input of the audio equipment is monaural, connect it to the left jack.

# Connecting the Video Equipment



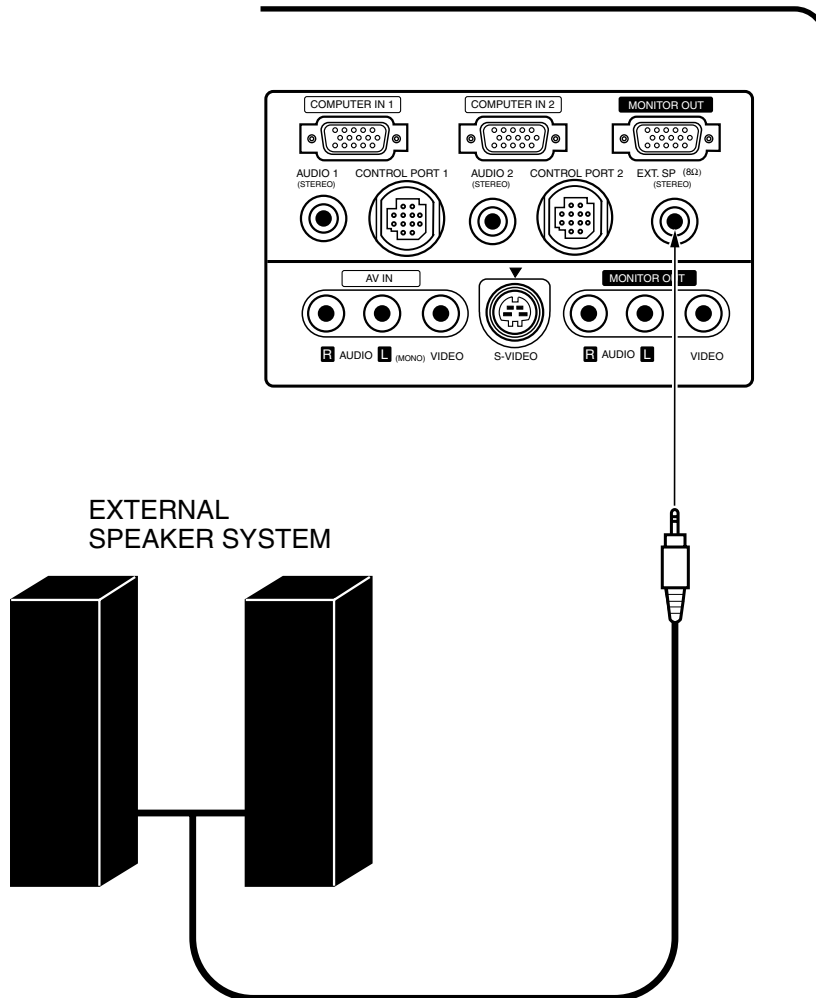
**NOTE:** The hook up should be done as per the above illustration. After hook up, turn on the projector, video equipment, in that order.



## CONNECTING AN EXTERNAL SPEAKER

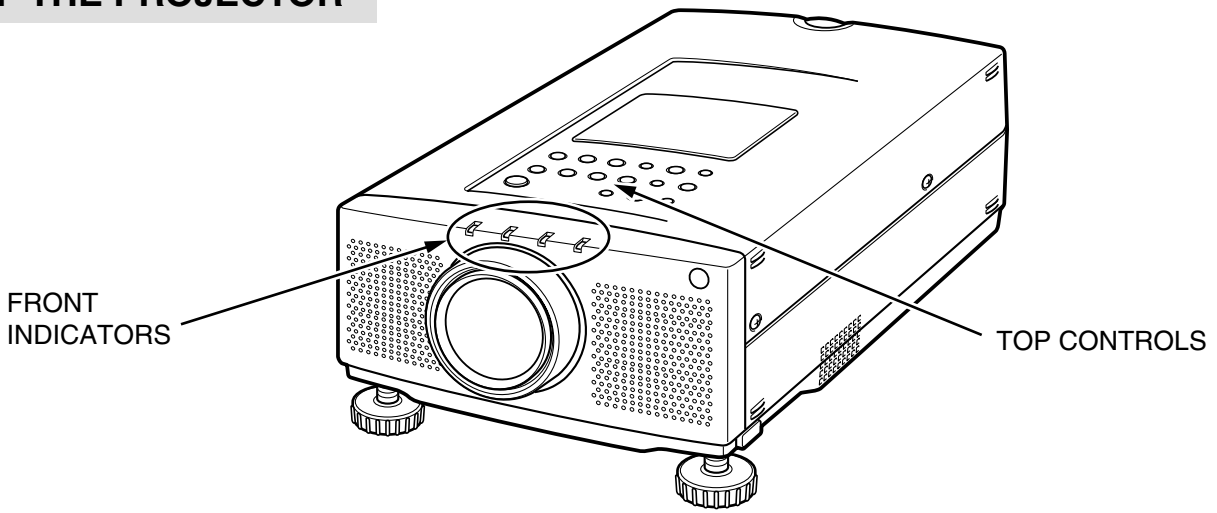
### CONNECTING TO THE EXT. SP. JACK (3.5mm mini stereo type)

This jack outputs stereo speaker sound which viewing on screen. If you use external speaker system, connect stereo type external speaker jack. Internal speaker sound is disconnected when speaker jack is connected.

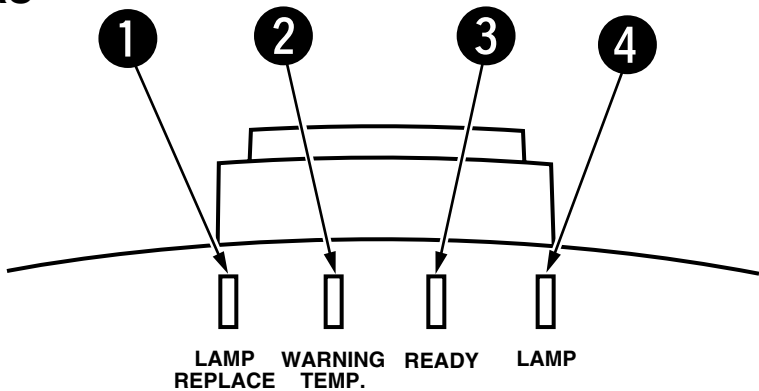


# OPERATION OF CONTROLS

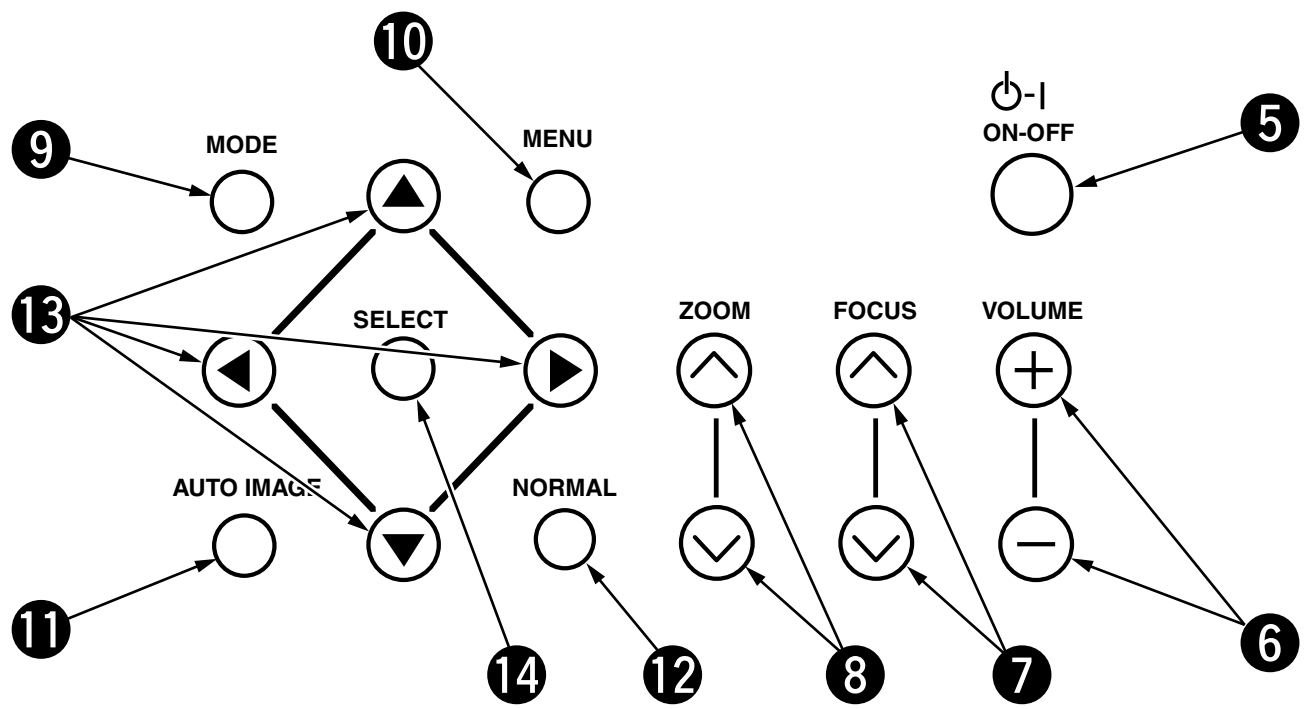
## TOP OF THE PROJECTOR



## FRONT INDICATORS

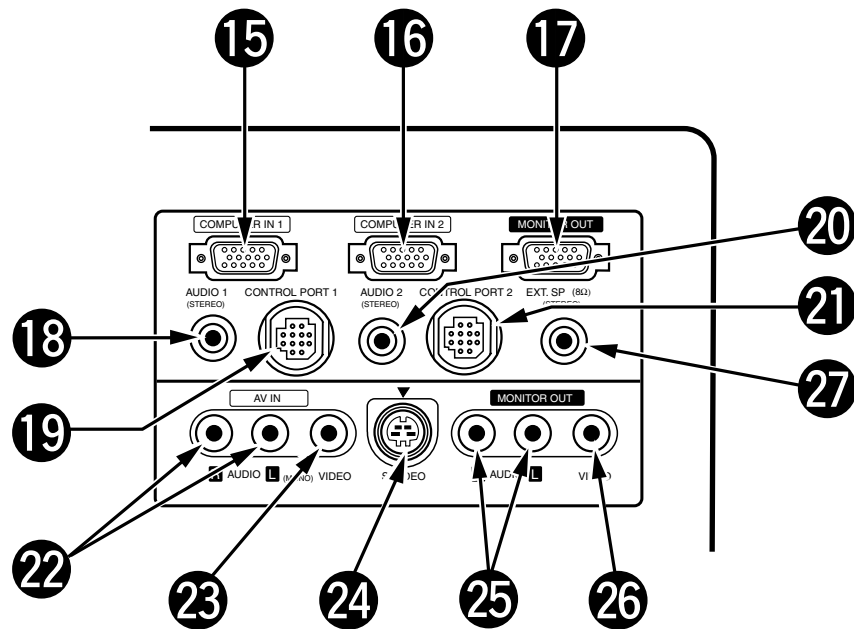


## TOP CONTROLS



- 1 LAMP REPLACEMENT INDICATOR**  
Light is orange when projection lamp is nearing end of service life.
- 2 TEMPERATURE WARNING INDICATOR**  
Flashes red when internal projector temperature is too high.
- 3 READY INDICATOR**  
Light is green when projector lamp is ready to be turned on.
- 4 LAMP POWER INDICATOR**  
Light is dim when the projector is on.  
Light is brightened when the projector is in stand-by mode.
- 5 LAMP POWER ON/OFF BUTTON**  
Used to turn projection lamp on or off.
- 6 VOLUME BUTTONS**  
Used to adjust volume.
- 7 FOCUS BUTTONS**  
Used to operate power focus system.
- 8 ZOOM BUTTONS**  
Used to operate power zoom lens.
- 9 MODE BUTTON**  
Used to select source. (Computer 1, Computer 2 or Video 1 Input)
- 10 MENU BUTTON**  
This button will activate the MENU operation.  
Use this button, the POINT UP/DOWN/LEFT/RIGHT buttons and the SELECT button to make adjustments to the projector's setting in MENU operation.
- 11 AUTO IMAGE BUTTON**  
Used to operate the AUTO IMAGE function.
- 12 NORMAL BUTTON**  
Used to reset to normal picture adjustment preset by factory.
- 13 POINT UP/DOWN/LEFT/RIGHT BUTTONS**  
To select an item on the MENU that you want to adjust. To select an item, move the arrow by pressing these buttons (UP, DOWN, LEFT or RIGHT).
- 14 SELECT BUTTON**  
This button has different functions depending on when used. This button is used to execute the item selected, to increase or decrease the values in certain items such as CONTRAST or BRIGHTNESS.

## REAR OF THE PROJECTOR



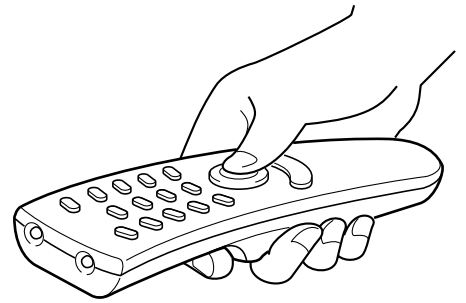
- 15** **COMPUTER INPUT-1 TERMINAL**  
Used to connect a computer to the projector.
- 16** **COMPUTER INPUT-2 TERMINAL**  
Used to connect a computer to the projector.
- 17** **MONITOR OUTPUT TERMINAL**  
Used to connect a monitor to the projector.
- 18** **COMPUTER AUDIO INPUT-1 JACK**  
**mini stereo type**  
Used to connect a computer audio input to the projector.
- 19** **CONTROL PORT-1 CONNECTOR**  
Used to connect a mouse cable to the projector.
- 20** **COMPUTER AUDIO INPUT-2 JACK**  
**mini stereo type**  
Used to connect a computer audio input to the projector.
- 21** **CONTROL PORT-2 CONNECTOR (SERIAL PORT)**  
Used to connect a mouse cable to the projector.  
**NOTE: Control port-2 connector can be also used as serial port.**
- 22** **AUDIO INPUT JACKS**  
Used to connect an audio input to the projector.
- 23** **VIDEO INPUT JACK**  
Used to connect a video source to the projector.
- 24** **S-VIDEO INPUT JACK**  
Used to connect a S-VHS video source to the projector.
- 25** **AUDIO MONITOR OUTPUT JACKS**  
Permits audio connection to a monitor.
- 26** **VIDEO MONITOR OUTPUT JACK**  
Permits video connection to a monitor.
- 27** **EXT. SP. JACK (3.5 mm mini stereo type)**  
Used to connect an external speaker system.

# OPERATION OF REMOTE CONTROL

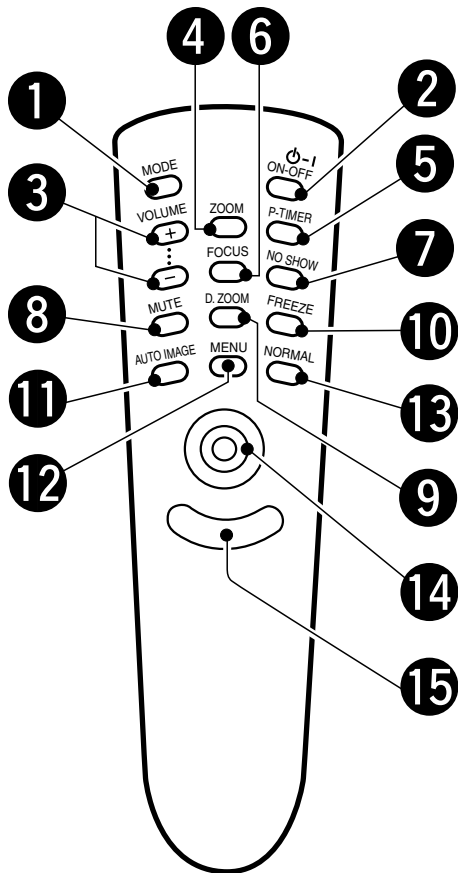
This remote control unit is not only able to operate the projector but also usable as a wireless mouse for a PC. One pointing pad and two click buttons are used for wireless mouse operation.

Wireless mouse is usable when PC mouse pointer is displayed on the screen. When the menu or indicator of the projector is displayed on the screen instead of the PC mouse pointer, the wireless mouse cannot be used.

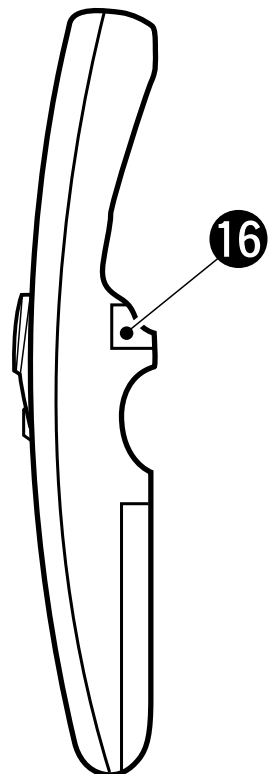
**NOTE:** To use the unit as a PC wireless mouse, connect the projector to the PC with the attached cable. Signals from the projector are transmitted to the PC, enabling the remote control unit of the projector to be used as a PC wireless mouse. (Refer to "CONNECTING THE PROJECTOR" in pages 10 to 14 for the connection.)



FRONT



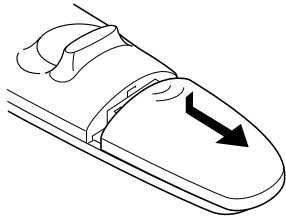
SIDE



- 1 MODE BUTTON**  
Used to select source. (Computer 1, Computer 2 or Video 1 Input)
- 2 LAMP POWER ON/OFF BUTTON**  
Used to turn the projection lamp on or off.
- 3 VOLUME BUTTONS**  
Used to adjust volume.
- 4 ZOOM BUTTON**  
Used to select power zoom lens adjust.
- 5 P-TIMER BUTTON**  
Used to operate the P-TIMER function.
- 6 FOCUS BUTTON**  
Used to select focus adjust.
- 7 NO SHOW BUTTON**  
Used to change the screen into black image.
- 8 SOUND MUTE BUTTON**  
Used to mute sound.
- 9 D. ZOOM BUTTON**  
Used to select digital zoom function.
- 10 FREEZE BUTTON**  
Use this button to freeze on-screen image.
- 11 AUTO IMAGE BUTTON**  
Used to operate the AUTO IMAGE function.
- 12 MENU BUTTON**  
This button will activate the MENU operation. Use this button, the POINT UP/DOWN/LEFT/RIGHT button and the SELECT (REAR CLICK) button to make adjustments to the projector's setting in MENU operation.
- 13 NORMAL BUTTON**  
Use to reset to normal picture adjustment preset by factory.
- 14 POINTING PAD (POINT UP/DOWN/LEFT/RIGHT BUTTON)**  
**When in use as a remote for the projector.**  
To select an item on the MENU that you want to adjust. To select an item, move the arrow by pressing the pad upward, downward, leftward or rightward.  
Used to operate power zoom lens, power focus system or digital zoom function by pressing the pad either upward or downward.  
**When in use as a wireless mouse**  
Used to move the pointer. The pointer is moved according to the direction you are pressing.
- 15 FRONT CLICK BUTTON**  
This button has the same function as the right button in a PC mouse. Pressing this button does not affect any operation when in MENU mode.
- 16 SELECT (REAR CLICK) BUTTON**  
**When in use as a remote for the projector.**  
This button has different functions depending on when used. This button is used to execute the item selected, to increase or decrease the values in certain items such as CONTRAST or BRIGHTNESS.  
**When in use as a wireless mouse**  
This button has the same function as the left button in a PC mouse.

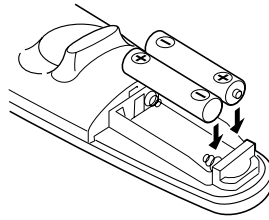
## REMOTE CONTROL BATTERY INSTALLATION

- 1** Remove the battery compartment lid.

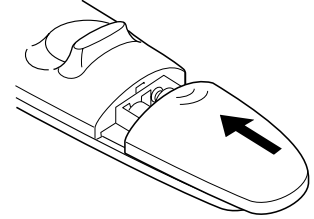


- 2** Slide the batteries into the compartment.

Note: For correct polarity (+ and – terminal), be sure the battery terminals are in contact with the pins in the compartment.

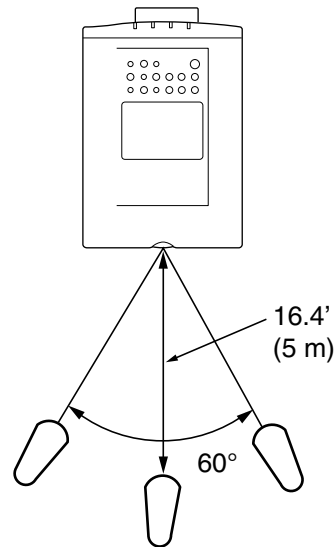
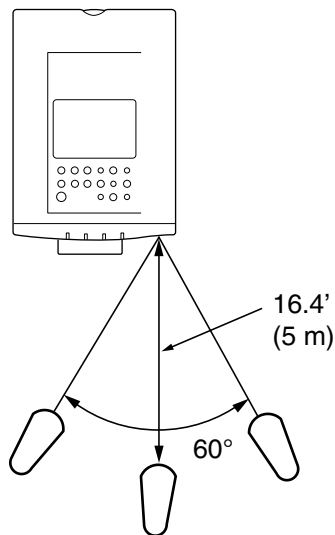


- 3** Replace the compartment lid.



## USING THE REMOTE CONTROL UNIT

Point the remote control toward the projector (Receiver window) whenever pressing the buttons. Maximum operating range for the remote control is about 16.4' (5m) and 60° front and rear of the projector.



To insure safe operation, please observe the following precautions:

- Use (2) AA type alkaline batteries.
- Change two batteries at the same time.
- Do not use a new battery with a used battery.
- Avoid contact with water.
- Do not drop the remote control unit.
- If batteries have leaked on the remote control, carefully wipe the case clean and load new batteries.

# CONTROL THE PROJECTOR

The projector has two types of operation: DIRECT OPERATION and MENU OPERATION. DIRECT OPERATION allows you to operate the projector by using one button without showing the MENU. In MENU OPERATION mode, you display menus where you can adjust the projector's settings. Follow the instruction for each control.

## DIRECT OPERATION

| ADJUST ITEM       | TOP CONTROL OF THE PROJECTOR | REMOTE CONTROL UNIT   |
|-------------------|------------------------------|---|
| LAMP POWER ON/OFF | LAMP POWER ON-OFF BUTTON     | LAMP POWER ON-OFF BUTTON  |
| MODE SELECT       | MODE BUTTON                  | MODE BUTTON   |
| SOUND VOLUME      | VOLUME (+) and (-) BUTTONS   | VOLUME (+) and (-) BUTTONS  |
| SOUND MUTE        | NOT AVAILABLE                | MUTE BUTTON   |
| ZOOM              | ZOOM (^) and (v) BUTTONS     | ZOOM BUTTON<br>POINT (UP/DOWN) BUTTON   |
| FOCUS             | FOCUS (^) and (v) BUTTONS    | FOCUS BUTTON<br>POINT (UP/DOWN) BUTTON  |
| DIGITAL ZOOM      | NOT AVAILABLE                | D. ZOOM BUTTON<br>SELECT (REAR CLICK) BUTTON<br>FRONT CLICK BUTTON<br>POINT (UP/DOWN/LEFT/RIGHT) BUTTON |
| NORMAL PICTURE    | NORMAL BUTTON                | NORMAL BUTTON   |
| NO SHOW           | NOT AVAILABLE                | NO SHOW BUTTON  |
| P. TIMER          | NOT AVAILABLE                | P-TIMER BUTTON  |
| FREEZE PICTURE    | NOT AVAILABLE                | FREEZE BUTTON   |
| AUTO IMAGE        | AUTO IMAGE BUTTON            | AUTO IMAGE BUTTON   |



## MENU OPERATION

| ADJUST ITEM | TOP CONTROL OF THE PROJECTOR   | REMOTE CONTROL UNIT  |
|-------------|--|--|
| MODE SELECT | MENU BUTTON<br>POINT LEFT/RIGHT BUTTONS<br>SELECT BUTTON<br>POINT UP/DOWN BUTTONS<br>SELECT BUTTON | MENU BUTTON<br>POINT (LEFT/RIGHT) BUTTON<br>SELECT (REAR CLICK) BUTTON<br>POINT (UP/DOWN) BUTTON<br>SELECT (REAR CLICK) BUTTON |

### 1. COMPUTER/VIDEO MODE

| ADJUST ITEM  | TOP CONTROL OF THE PROJECTOR   | REMOTE CONTROL UNIT  |
|--|--|--|
| SOUND<br>SOUND VOLUME<br>SOUND MUTE  | MENU BUTTON<br>POINT LEFT/RIGHT BUTTONS<br>SELECT BUTTON<br>POINT UP/DOWN BUTTONS<br>SELECT BUTTON | MENU BUTTON<br>POINT (LEFT/RIGHT) BUTTON<br>SELECT (REAR CLICK) BUTTON<br>POINT (UP/DOWN) BUTTON<br>SELECT (REAR CLICK) BUTTON |
| LANGUAGE   |  |  |
| SETTING<br>BLUE BACK<br>DISPLAY<br>CEILING<br>REAR<br>SPLIT WIPE<br>LAMP AGE | MENU BUTTON<br>POINT LEFT/RIGHT BUTTONS<br>SELECT BUTTON<br>POINT UP/DOWN BUTTONS<br>SELECT BUTTON | MENU BUTTON<br>POINT (LEFT/RIGHT) BUTTON<br>SELECT (REAR CLICK) BUTTON<br>POINT (UP/DOWN) BUTTON<br>SELECT (REAR CLICK) BUTTON |

### 2. VIDEO MODE

| ADJUST ITEM   | TOP CONTROL OF THE PROJECTOR   | REMOTE CONTROL UNIT  |
|---|--|--|
| COLOR SYSTEM  | MENU BUTTON<br>POINT LEFT/RIGHT BUTTONS<br>SELECT BUTTON<br>POINT UP/DOWN BUTTONS<br>SELECT BUTTON | MENU BUTTON<br>POINT (LEFT/RIGHT) BUTTON<br>SELECT (REAR CLICK) BUTTON<br>POINT (UP/DOWN) BUTTON<br>SELECT (REAR CLICK) BUTTON |
| PICTURE IMAGE<br>COLOR<br>TINT<br>CONTRAST<br>BRIGHTNESS<br>SHARPNESS | MENU BUTTON<br>POINT LEFT/RIGHT BUTTONS<br>SELECT BUTTON<br>POINT UP/DOWN BUTTONS<br>SELECT BUTTON | MENU BUTTON<br>POINT (LEFT/RIGHT) BUTTON<br>SELECT (REAR CLICK) BUTTON<br>POINT (UP/DOWN) BUTTON<br>SELECT (REAR CLICK) BUTTON |
| PICTURE SCREEN<br>WIDE<br>REGULAR                                     |  |  |

### 3. COMPUTER MODE

| ADJUST ITEM   | TOP CONTROL OF THE PROJECTOR  | REMOTE CONTROL UNIT  |
|---|---|--|
| <b>COMPUTER SYSTEM</b>  | MENU BUTTON<br>POINT LEFT/RIGHT BUTTONS<br>SELECT BUTTON<br>POINT UP/DOWN BUTTONS<br>SELECT BUTTON  | MENU BUTTON<br>POINT (LEFT/RIGHT) BUTTON<br>SELECT (REAR CLICK) BUTTON<br>POINT (UP/DOWN) BUTTON<br>SELECT (REAR CLICK) BUTTON   |
| <b>AUTO IMAGE</b><br><b>FINE SYNC</b><br><b>TOTAL DOTS</b><br><b>POSITION</b>   | MENU BUTTON<br>POINT LEFT/RIGHT BUTTONS<br>SELECT BUTTON<br>POINT UP/DOWN BUTTONS<br>SELECT BUTTON  | MENU BUTTON<br>POINT (LEFT/RIGHT) BUTTON<br>SELECT (REAR CLICK) BUTTON<br>POINT (UP/DOWN) BUTTON<br>SELECT (REAR CLICK) BUTTON   |
| <b>PICTURE IMAGE</b><br><b>FINE SYNC</b><br><b>TOTAL DOTS</b><br><b>WHITE BALANCE</b><br><b>CONTRAST</b><br><b>BRIGHTNESS</b> | MENU BUTTON<br>POINT LEFT/RIGHT BUTTONS<br>SELECT BUTTON<br>POINT UP/DOWN BUTTONS<br>SELECT BUTTON  | MENU BUTTON<br>POINT (LEFT/RIGHT) BUTTON<br>SELECT (REAR CLICK) BUTTON<br>POINT (UP/DOWN) BUTTON<br>SELECT (REAR CLICK) BUTTON   |
| <b>PICTURE POSITION</b>   | MENU BUTTON<br>POINT LEFT/RIGHT BUTTONS<br>SELECT BUTTON<br>POINT LEFT/RIGHT/UP/DOWN<br>BUTTONS<br>SELECT BUTTON                          | MENU BUTTON<br>POINT (LEFT/RIGHT) BUTTON<br>SELECT (REAR CLICK) BUTTON<br>POINT (LEFT/RIGHT/UP/DOWN)<br>BUTTON<br>SELECT (REAR CLICK) BUTTON   |
| <b>PC ADJUSTMENT</b>  | MENU BUTTON<br>POINT LEFT/RIGHT BUTTONS<br>SELECT BUTTON<br>POINT UP/DOWN BUTTONS<br>SELECT BUTTON  | MENU BUTTON<br>POINT (LEFT/RIGHT) BUTTON<br>SELECT (REAR CLICK) BUTTON<br>POINT (UP/DOWN) BUTTON<br>SELECT (REAR CLICK) BUTTON   |
| <b>PICTURE SCREEN</b><br><b>TRUE</b><br><b>DIGITAL ZOOM</b>   | MENU BUTTON<br>POINT LEFT/RIGHT BUTTONS<br>SELECT BUTTON<br>POINT UP/DOWN BUTTONS<br>SELECT BUTTON<br>POINT LEFT/RIGHT/UP/DOWN<br>BUTTONS | MENU BUTTON<br>POINT (LEFT/RIGHT) BUTTON<br>SELECT (REAR CLICK) BUTTON<br>POINT (UP/DOWN) BUTTON<br>SELECT (REAR CLICK) BUTTON<br>SELECT (REAR CLICK) BUTTON<br>FRONT CLICK BUTTON<br>POINT (UP/DOWN/LEFT/RIGHT)<br>BUTTON |

#### NOTES:

1. If you switch to DIRECT operation by pressing a DIRECT operation button while in MENU mode, the menus will disappear and the MENU operation will end.
2. You can use the REMOTE CONTROL UNIT or the TOP CONTROL OF THE PROJECTOR to operate the MENU operation.

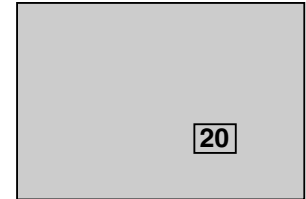
# USING THE PROJECTOR

## TO TURN ON THE PROJECTOR

Connect the projector to a source (Computer, VCR, Video Camera, Video Disc Player, etc.) using the appropriate terminals on the rear of the projector (See “CONNECTING THE PROJECTOR” section on pages 10-17).

Connect the projector’s AC power cord into a wall outlet and turn the MAIN ON/OFF switch (located on the rear of the projector) to the ON position. The LAMP POWER indicator will light RED, the READY indicator will light GREEN.

Press the LAMP POWER ON/OFF button on the remote control unit or on the projector to ON. The LAMP POWER indicator light will dim and the cooling fans will operate. The wait display appears on the screen and the count-down starts (20-19-18-...1). The signal from the source appears after 30 seconds.



**CAUTION:**  
**TO MAINTAIN THE LIFE OF THE LAMP, ONCE YOU HAVE TURNED IT ON, WAIT AT LEAST 5 MINUTES BEFORE TURNING IT OFF.**

**NOTE:** TEMPERATURE WARNING INDICATOR flashes red, the projector will automatically turn off. Wait at least 5 minutes before turning the projector on.

If the TEMPERATURE WARNING INDICATOR continues to flash, follow the procedures below:

- (1). Press LAMP POWER ON/OFF button to OFF.
- (2). Check the air filter for dust accumulation.
- (3). Remove dust with vacuum cleaner (See “AIR FILTER CARE AND CLEANING” section on page 47.)
- (4). Press LAMP POWER ON/OFF button to ON.

If the TEMPERATURE WARNING INDICATOR still continues to flash, call your authorized dealer or service station.

## TO TURN OFF THE PROJECTOR

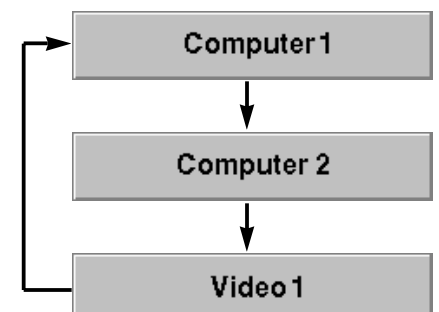
Press the LAMP POWER ON/OFF button on the remote control unit or on the projector. The “Power off ?” appears on the screen. Press again the LAMP POWER ON/OFF button to turn OFF the projector. The LAMP POWER indicator will light bright and READY indicator will turn off. The cooling fans will operate for 1 minute after the projector is turned off. (During this “cooling down” period, the projector cannot be turned on.) The READY indicator will light green again and the projector may be turned on by pressing the LAMP POWER ON/OFF button. To power down completely, turn the MAIN ON/OFF switch (located on the rear of the projector) to the OFF position.



## DIRECT OPERATION

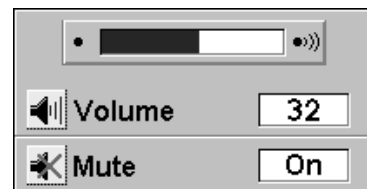
### MODE SELECT

Press the MODE button (located on remote control unit or on the projector) to select Computer 1, Computer 2 or Video 1 Input. The “Computer 1”, “Computer 2” or “Video 1” display will appear on the screen for a few seconds.



## **SOUND VOLUME ADJUSTMENT**

Press the VOLUME buttons (located on remote control unit or on the projector) to adjust the volume. The volume display will be displayed on the screen for a few seconds. Pressing volume (+) will increase volume and increase the number on the screen. Pressing volume (-) will decrease volume and decrease the number on the screen.



## **SOUND MUTE FUNCTION**

Pressing the MUTE button on the remote control unit will mute audio. Press the MUTE button again to restore audio to its previous level. The mute display will be displayed on the screen for a few seconds.

## **ZOOM ADJUSTMENT (Top control)**

Press the ZOOM (∧) or (∨) button to obtain your desired picture size. For a larger picture, press (∧) and for a smaller picture, press (∨).

## **ZOOM ADJUSTMENT (Remote control unit)**

Press the ZOOM button and press POINT UP/DOWN button(s) to obtain your desired picture size. The Zoom display will be displayed on the screen for a few seconds. For a larger picture, press (UP) and for a smaller picture, press (DOWN).



## **FOCUS ADJUSTMENT (Top control)**

Press the FOCUS (∧) or (∨) button for a sharper, crisper picture.

## **FOCUS ADJUSTMENT (Remote control unit)**

Press the FOCUS button and press POINT UP/DOWN button(s) to obtain a sharper, crisper picture. The Focus display will be displayed on the screen for a few seconds.



## **DIGITAL ZOOM FUNCTION**

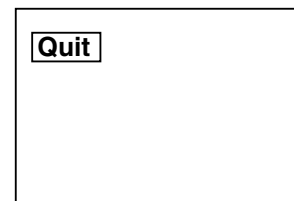
Press the D. ZOOM button on the remote control unit. The message "Quit" is displayed to indicate Digital Zoom mode. Digital zoom mode can be adjust the image size or pan the image.

To expand the image size, press SELECT (REAR CLICK) button. The image is magnified by degrees (Expand function).

To compress the image size, press FRONT CLICK button. The size of image is reduced by degrees (Compress function).

To pan the image, press POINT UP/DOWN/LEFT/RIGHT (POINTING PAD) button(s). The image move to the direction indicated (panning function).

To cancel Digital Zoom mode, press other buttons (except NO SHOW button).



## **NORMAL PICTURE FUNCTION**

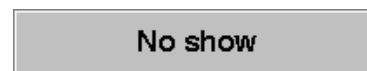
The normal picture level is factory preset on the projector and can be restored anytime by pressing the NORMAL button (located on remote control unit or on the projector). The "Normal" display will be displayed on the screen for a few seconds.



## **NO SHOW FUNCTION**

Press the NO SHOW button on the remote control unit. The screen will change into black image and the "NO SHOW" is displayed on the screen for a few seconds.

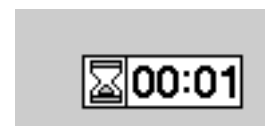
This function is cancelled when the NO SHOW button is pressed again or any other function button is pressed.



## **P-TIMER FUNCTION**

Press the P-TIMER button on the remote control unit. The timer display "00:00" appears on the screen and the timer starts to count the time (00:00 to 59:59).

Press again the P-TIMER button to stop the timer. Then press the P-TIMER button to cancel the P-TIMER function.



## **FREEZE PICTURE FUNCTION**

Press the FREEZE button on the remote control unit, and the picture will remain on-screen. This function is cancelled when the FREEZE button is pressed again or any other function button is pressed.

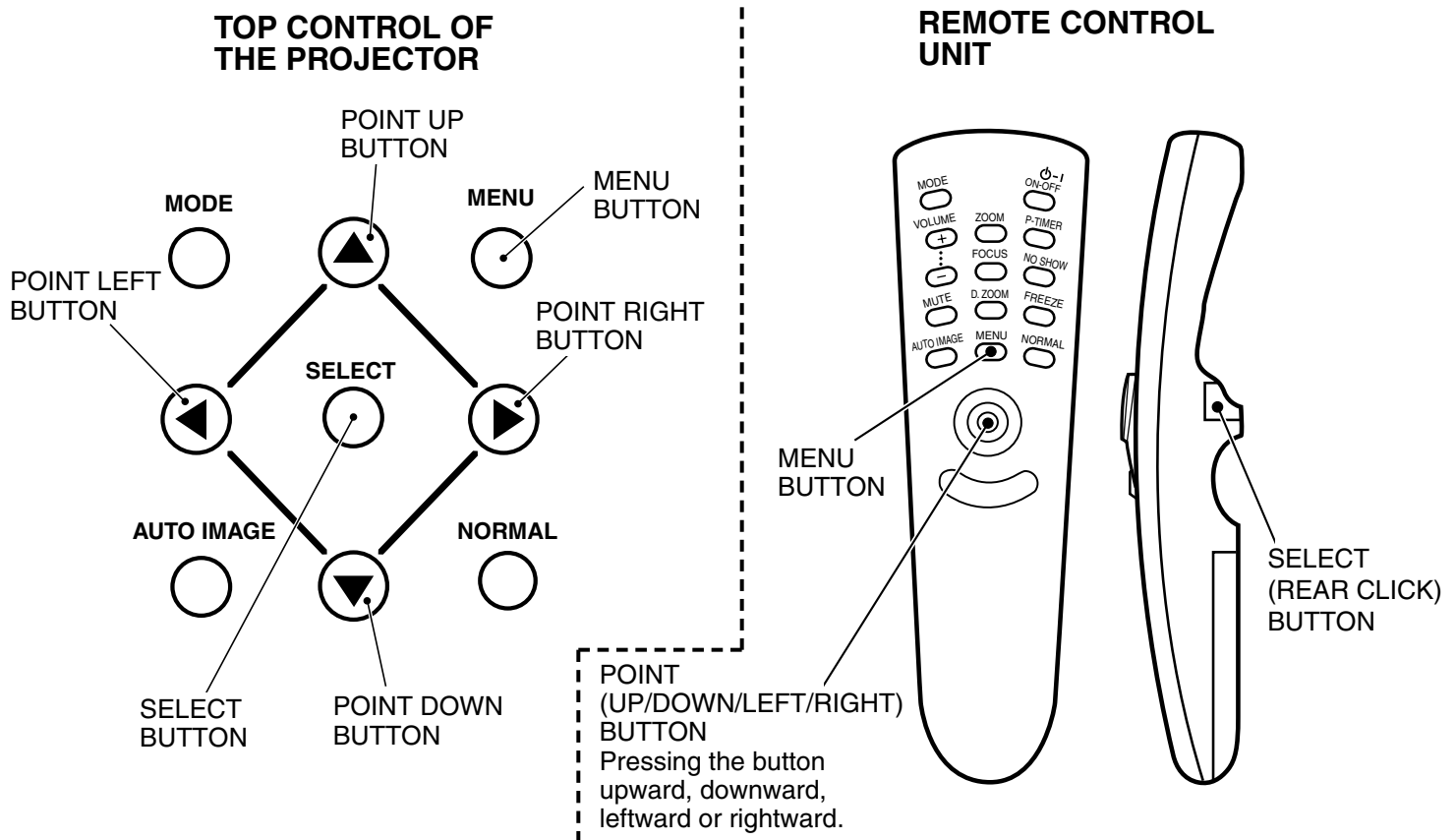
**NOTE:** Your computer or video equipment is not affected by this function, and will continue to run.

## **AUTO IMAGE FUNCTION**

Press the AUTO IMAGE button on the remote control unit or on the projector. The item(s) indicated "ON" in the AUTO IMAGE FUNCTION are adjusted automatically. If all the items in AUTO IMAGE FUNCTION are "OFF", AUTO IMAGE SETTING display appears. If you wish to operate the AUTO IMAGE FUNCTION, perform the steps 3 - 9 of "AUTO IMAGE FUNCTION" section on page 36.

## MENU OPERATION

In MENU OPERATION mode, you display menus where you can adjust the projector's settings. You can use the TOP CONTROL OF THE PROJECTOR or the REMOTE CONTROL UNIT.

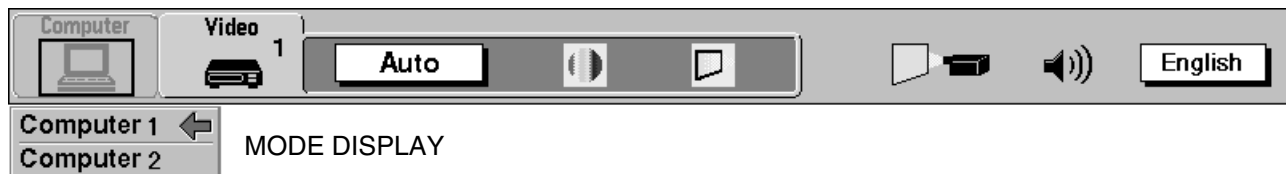


## MODE SELECT

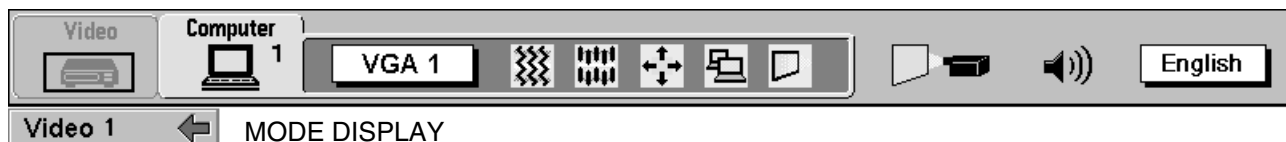
You can select a mode using the MENU from among computer 1, computer 2 and video 1.

1. Press the MENU BUTTON and the MAIN MENU DISPLAY dialog box will appear.
2. Press the POINT LEFT/RIGHT BUTTON(s) to select Computer or Video and press the SELECT (REAR CLICK) BUTTON. Another dialog box MODE DISPLAY will appear.
3. Press the POINT DOWN BUTTON and a red arrow will appear.
4. Move the arrow to the mode you want (computer 1, computer 2 or video 1) to use by pressing the POINT UP/DOWN BUTTON(s) and then press the SELECT (REAR CLICK) BUTTON.

MAIN MENU DISPLAY



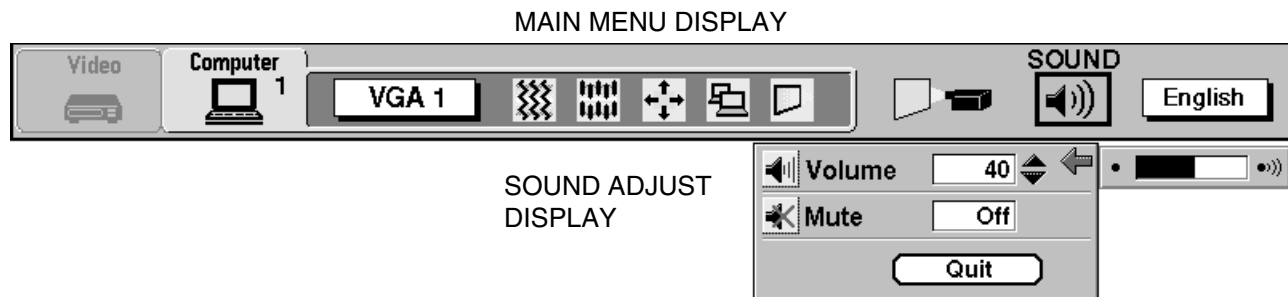
MAIN MENU DISPLAY



## **SOUND ADJUSTMENT**

You can adjust the sound volume and sound mute used in the MENU.

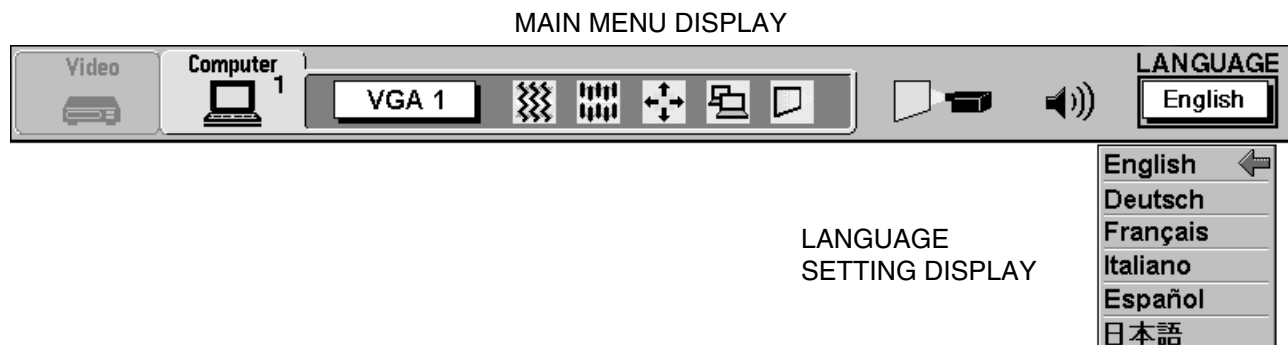
1. Press the MENU BUTTON and the MAIN MENU DISPLAY dialog box will appear.
2. Press the POINT LEFT/RIGHT BUTTON(s) to select SOUND and press the SELECT (REAR CLICK) BUTTON. Another dialog box SOUND ADJUST DISPLAY will appear.
3. Press the POINT DOWN BUTTON and a red arrow will appear.
4. Move the arrow to an item that you want to adjust by pressing the POINT UP/DOWN BUTTON(s).
5. To increase the sound volume, point the arrow to ▲ and then press the SELECT (REAR CLICK) BUTTON. To decrease the sound volume, point the arrow to ▼ and then press the SELECT (REAR CLICK) BUTTON.
6. To mute the sound, point the arrow to Mute and then press the SELECT (REAR CLICK) BUTTON. The mute display is changed On from Off and mute the sound.
7. To quit the MENU, point to Quit and then press the SELECT (REAR CLICK) BUTTON.



## **LANGUAGE ADJUSTMENT**

A language used in the MENU is selectable from among English, German, French, Italian, Spanish and Japanese.

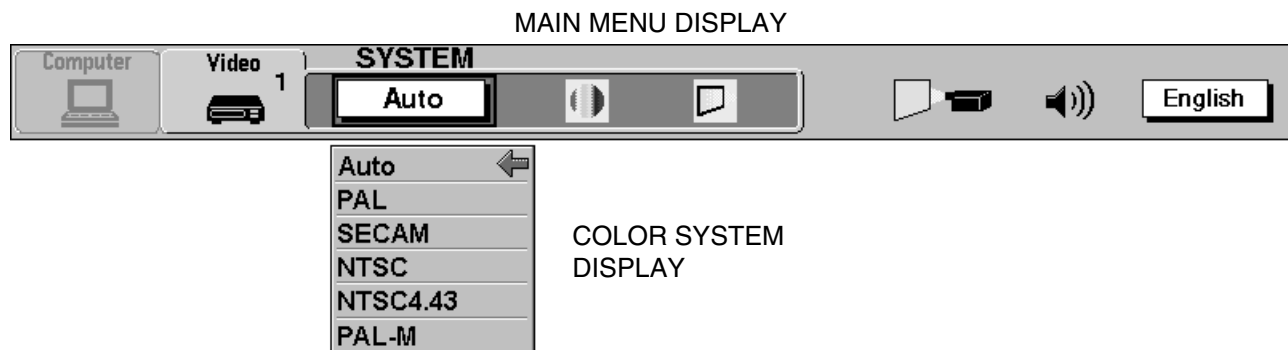
1. Press the MENU BUTTON and the MAIN MENU DISPLAY dialog box will appear.
2. Press the POINT LEFT/RIGHT BUTTON(s) to select LANGUAGE and press the SELECT (REAR CLICK) BUTTON. Another dialog box LANGUAGE SETTING DISPLAY will appear.
3. Press the POINT DOWN BUTTON and a red arrow will appear.
4. Move the arrow to the language you want to use by pressing the POINT UP/DOWN BUTTON(s) and then press the SELECT (REAR CLICK) BUTTON.
5. The setting is permanently held even if the MAIN ON/OFF is switched off.



## **COLOR SYSTEM SELECT (VIDEO MODE)**

This projector is compatible with the five major broadcast video standards: PAL, SECAM, NTSC, NTSC 4.43 and PAL-M (COLOR SYSTEMS). It automatically adjusts itself to optimize its performance for the incoming video (Except PAL-M). However, if the video signal is not strong enough to detect the video format, the projector may not reproduce the proper video image. In case this happens, this projector allows you to choose a specific broadcast signal format.

1. Connect the video equipment to the PROJECTOR, and turn them on projector first.
2. Set MODE SELECT to "VIDEO MODE".
3. Press the MENU BUTTON and the MAIN MENU DISPLAY dialog box will appear.
4. Press the POINT LEFT/RIGHT BUTTON(s) to select SYSTEM and press the SELECT (REAR CLICK) BUTTON. Another dialog box COLOR SYSTEM DISPLAY will appear. The current COLOR SYSTEM is displayed in the system window.
5. Press the POINT DOWN BUTTON and a red arrow will appear.
6. To change the current COLOR SYSTEM, press the POINT UP/DOWN BUTTON(s) to move the arrow to a desirable system and then press the SELECT (REAR CLICK) BUTTON.
7. The setting changed remains effective until the MAIN ON/OFF switch is turned off.



## PICTURE IMAGE ADJUSTMENT (VIDEO MODE)

Although picture adjustments have been preset at the factory, you may want to change the setting.

1. Press the MENU BUTTON and the MAIN MENU DISPLAY dialog box will appear.
2. Press the POINT LEFT/RIGHT BUTTON(s) to select IMAGE and press the SELECT (REAR CLICK) BUTTON. Another dialog box IMAGE ADJUST DISPLAY will appear. This shows the current picture settings.
3. In this dialog box, you can adjust the settings by increasing or decreasing the levels shown as numbers. The items and the range of the levels that you can adjust are summarized in the table below.
4. Press the POINT DOWN BUTTON and a red arrow will appear.
5. Move the arrow to an item that you want to adjust by pressing the POINT UP/DOWN BUTTON(s).
6. To increase the level, point the arrow to ▲ and then press the SELECT (REAR CLICK) BUTTON. To decrease the level, point the arrow to ▼ and then press the SELECT (REAR CLICK) BUTTON.
7. You may want to store the settings in the memory so that you can recall them later. To store the settings, move the arrow to Stored and then press the SELECT (REAR CLICK) BUTTON. When you have stored the settings, "OK ?" is displayed for confirmation.
8. Move the arrow to Yes and then press the SELECT (REAR CLICK) BUTTON. The stored settings are permanently held even if the MAIN ON/OFF is switched off.
9. To quit the MENU, move the arrow to Quit and then press the SELECT (REAR CLICK) BUTTON.
10. If you do not want to store the settings, move the arrow to Quit and then press the SELECT (REAR CLICK) BUTTON. The settings changed remains effective until the MAIN ON/OFF switch is turned off.
11. To recall the settings from the memory that you have stored, move the arrow to Reset and then press the SELECT (REAR CLICK) BUTTON. When you have reset the settings, "OK ?" is displayed for confirmation. Move the arrow to Yes and then press the SELECT (REAR CLICK) BUTTON. You can adjust the settings again if needed.

**NOTE:** "TINT" will be skipped in the PAL , SECAM and PAL-M mode.

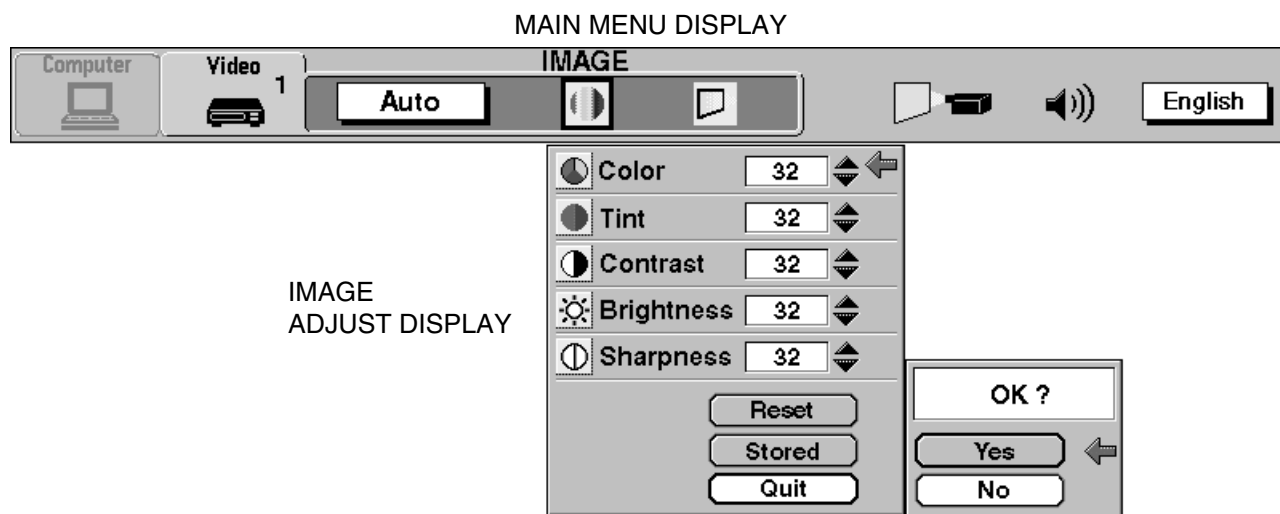


TABLE OF PICTURE IMAGE ADJUSTMENT

|                   |             |   |    |    |            |
|-------------------|-------------|---|----|----|------------|
| <b>COLOR</b>      | DECREASES   | 0 | ←→ | 63 | INCREASES  |
| <b>TINT</b>       | MORE PURPLE | 0 | ←→ | 63 | MORE GREEN |
| <b>CONTRAST</b>   | LIGHTER     | 0 | ←→ | 63 | DEEPER     |
| <b>BRIGHTNESS</b> | DARKER      | 0 | ←→ | 63 | BRIGHTER   |
| <b>SHARPNESS</b>  | SOFTER      | 0 | ←→ | 63 | SHARPER    |



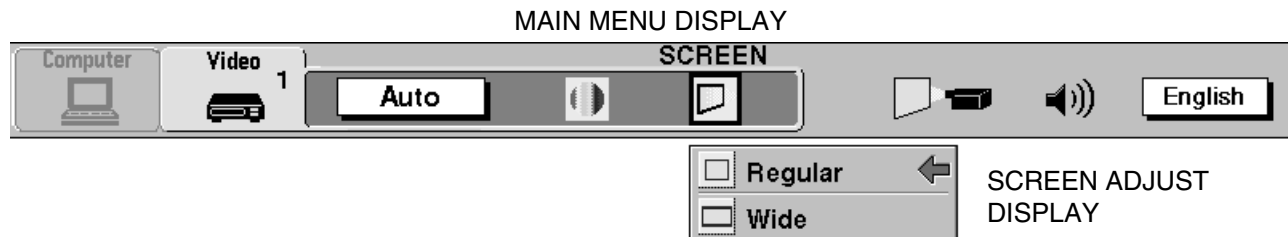
## **PICTURE SCREEN ADJUSTMENT (VIDEO MODE)**

This projector has the Wide function, which enables you to view a wider video image.

### **WIDE function**

This projector is able to project not only a normal video image (with 4 x 3 aspect ratio), but also a wider video image by compressing 4 x 3 image. This feature enable you to enjoy watching pictures like cinema images. You can switch either to WIDE or to REGULAR screen mode.

1. Press the MENU BUTTON and the MAIN MENU DISPLAY dialog box will appear.
2. Press the POINT LEFT/RIGHT BUTTON(s) to select SCREEN and press the SELECT (REAR CLICK) BUTTON. Another dialog box SCREEN ADJUST DISPLAY will appear.
3. Press the POINT DOWN BUTTON and a red arrow will appear.
4. To switch to "Wide" mode, move the arrow to Wide by pressing the POINT UP/DOWN BUTTON(s) and then press the SELECT (REAR CLICK) BUTTON.
5. To switch to "Regular" mode, move the arrow to Regular by pressing the POINT UP/DOWN BUTTON(s) and then press the SELECT (REAR CLICK) BUTTON.
6. The "Wide" settings remains effective until the MAIN ON/OFF switch is turned off.



## COMPUTER SYSTEM SELECT (COMPUTER MODE)

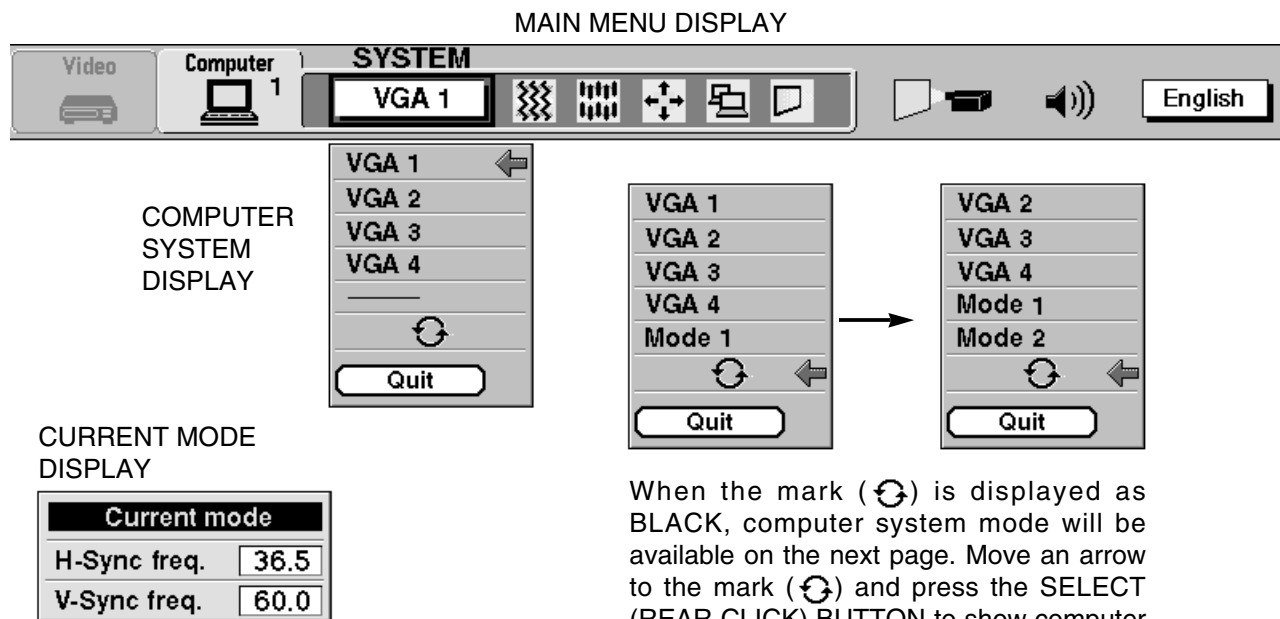
This projector is adjustable to different types of computer display signals based on VGA, SVGA or XGA (See “COMPATIBLE COMPUTER SPECIFICATIONS” on the next page). If you set MODE SELECT to “COMPUTER”, the projector will automatically process the incoming signal and project the proper image without any special setting. Although this will work in most cases, you may be required to manually set the projector for some computer signals. If the computer image is not reproduced properly, try the following procedure and switch to the computer display mode that you want to use.

1. Connect the COMPUTER to the PROJECTOR, and turn them on projector first.
2. Set MODE SELECT to “COMPUTER MODE (1 or 2)”. This shows the current display mode initially detected by the projector in the system window. And “Current mode” display appears.

**NOTE: 1.** If the projector cannot discriminate or detect the input signal from the computer, the “Go PC adj.” display appears.

**NOTE: 2.** If no input signal from the computer, the “No signal” display appears on the screen.

3. Press the MENU BUTTON and the MAIN MENU DISPLAY dialog box will appear.
4. Press the POINT LEFT/RIGHT BUTTON(s) to select SYSTEM and press the SELECT (REAR CLICK) BUTTON. Another dialog box COMPUTER SYSTEM DISPLAY will appear.
5. Press the POINT DOWN BUTTON and a red arrow will appear.
6. If you want to change the current display mode, move the arrow by pressing the POINT UP/DOWN BUTTON(s) to select one of the modes.
7. Press the SELECT (REAR CLICK) BUTTON to change the display mode.
8. To quit the MENU, move the arrow to Quit and then press the SELECT (REAR CLICK) BUTTON.



## PC ADJUSTMENT

This is a special function that may be used when a computer image is not reproduced properly. (See the pages 39 ~ 42 for more detail.)

## **COMPATIBLE COMPUTER SPECIFICATIONS**

| ON-SCREEN DISPLAY | RESOLUTION | Horizontal Frequency (kHz) | Vertical Frequency (Hz) |
|-------------------|------------|----------------------------|-------------------------|
| VGA1              | 640 x 480  | 31.47                      | 59.88                   |
| VGA2              | 720 x 400  | 31.47                      | 70.09                   |
| VGA3              | 640 x 400  | 31.47                      | 70.09                   |
| VGA4              | 640 x 480  | 37.86                      | 74.38                   |
| VGA5              | 640 x 480  | 37.86                      | 72.81                   |
| VGA6              | 640 x 480  | 37.50                      | 75.00                   |
| VGA7              | 640 x 480  | 43.269                     | 85.00                   |
| MAC LC13          | 640 x 480  | 34.97                      | 66.60                   |
| MAC 13            | 640 x 480  | 35.00                      | 66.67                   |
| SVGA1             | 800 x 600  | 35.156                     | 56.25                   |
| SVGA2             | 800 x 600  | 37.88                      | 60.32                   |
| SVGA3             | 800 x 600  | 46.875                     | 75.00                   |
| SVGA4             | 800 x 600  | 53.674                     | 85.06                   |
| SVGA5             | 800 x 600  | 48.08                      | 72.19                   |
| SVGA6             | 800 x 600  | 37.90                      | 61.03                   |
| SVGA7             | 800 x 600  | 34.50                      | 55.38                   |
| SVGA8             | 800 x 600  | 38.00                      | 60.51                   |
| SVGA9             | 800 x 600  | 38.60                      | 60.31                   |
| SVGA10            | 800 x 600  | 32.70                      | 51.09                   |
| SVGA11            | 800 x 600  | 38.00                      | 60.51                   |
| MAC 16            | 832 x 624  | 49.72                      | 74.55                   |
| XGA1              | 1024 x 768 | 48.36                      | 60                      |
| XGA2              | 1024 x 768 | 68.677                     | 84.997                  |
| XGA3              | 1024 x 768 | 60.023                     | 75.03                   |
| XGA4              | 1024 x 768 | 56.476                     | 70.07                   |
| XGA5              | 1024 x 768 | 60.31                      | 74.92                   |
| XGA6              | 1024 x 768 | 48.50                      | 60.02                   |
| XGA7              | 1024 x 768 | 44.00                      | 54.58                   |
| XGA8              | 1024 x 768 | 63.48                      | 79.35                   |
| XGA9              | 1024 x 768 | 36.00                      | 87.17 (Interlace)       |
| XGA10             | 1024 x 768 | 62.04                      | 77.07                   |
| XGA11             | 1024 x 768 | 61.00                      | 75.70                   |
| XGA12             | 1024 x 768 | 35.522                     | 86.96 (Interlace)       |
| XGA13             | 1024 x 768 | 46.90                      | 58.20                   |
| XGA14             | 1024 x 768 | 47.00                      | 58.30                   |
| XGA15             | 1024 x 768 | 58.03                      | 72.00                   |
| MAC19             | 1024 x 768 | 60.24                      | 75.08                   |

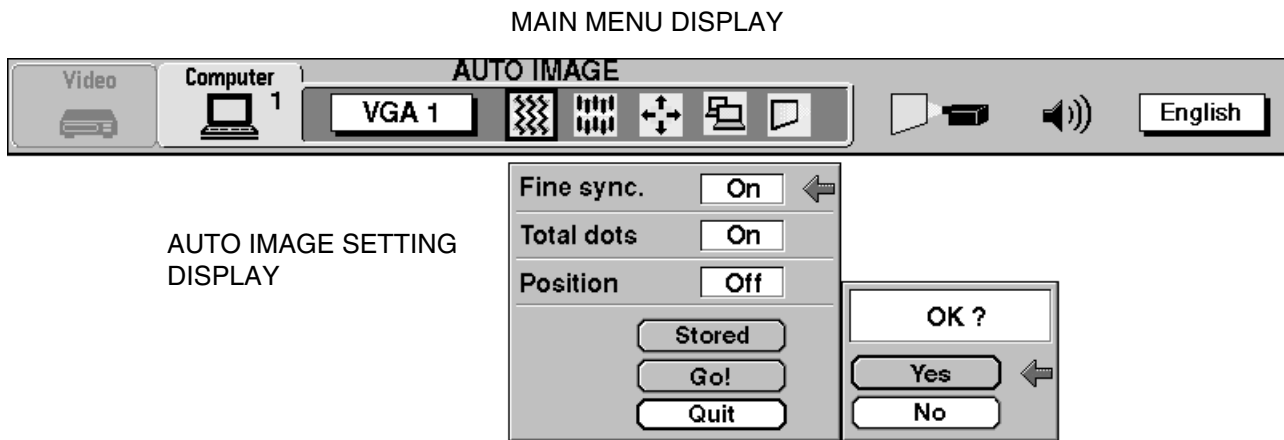
Specifications are subject to change without notice.

## **AUTO IMAGE ADJUSTMENT (COMPUTER MODE)**

The Auto image function is provided to automatically adjust Fine sync., Total dots and Screen position for most computers.

1. Press the MENU BUTTON and the MAIN MENU DISPLAY dialog box will appear.
2. Press the POINT LEFT/RIGHT BUTTON(s) to select AUTO IMAGE and press the SELECT (REAR CLICK) BUTTON. Another dialog box AUTO IMAGE SETTING DISPLAY will appear.
3. Press the POINT DOWN BUTTON and a red arrow will appear.
4. Move the arrow to an item(s) you want to adjust by pressing the POINT UP/DOWN BUTTON(s).
5. Change the setting "On", press the SELECT (REAR CLICK) BUTTON.
6. Move the arrow by pressing the POINT UP/DOWN BUTTON(s) to select "Go!" and then press the SELECT (REAR CLICK) BUTTON. The auto image function is started now. It will take about 10 seconds.
7. To store the settings, move the arrow to Stored and then press the SELECT (REAR CLICK) BUTTON. When you have stored the settings, "OK?" is displayed for confirmation.
8. Move the arrow to Yes and then press the SELECT (REAR CLICK) BUTTON. The stored settings are permanently held even if the MAIN ON/OFF is switched off.
9. To quit the MENU, point to Quit and then press the SELECT (REAR CLICK) BUTTON.
10. This setting is temporarily effective until you turn off the projector or change the input signal.

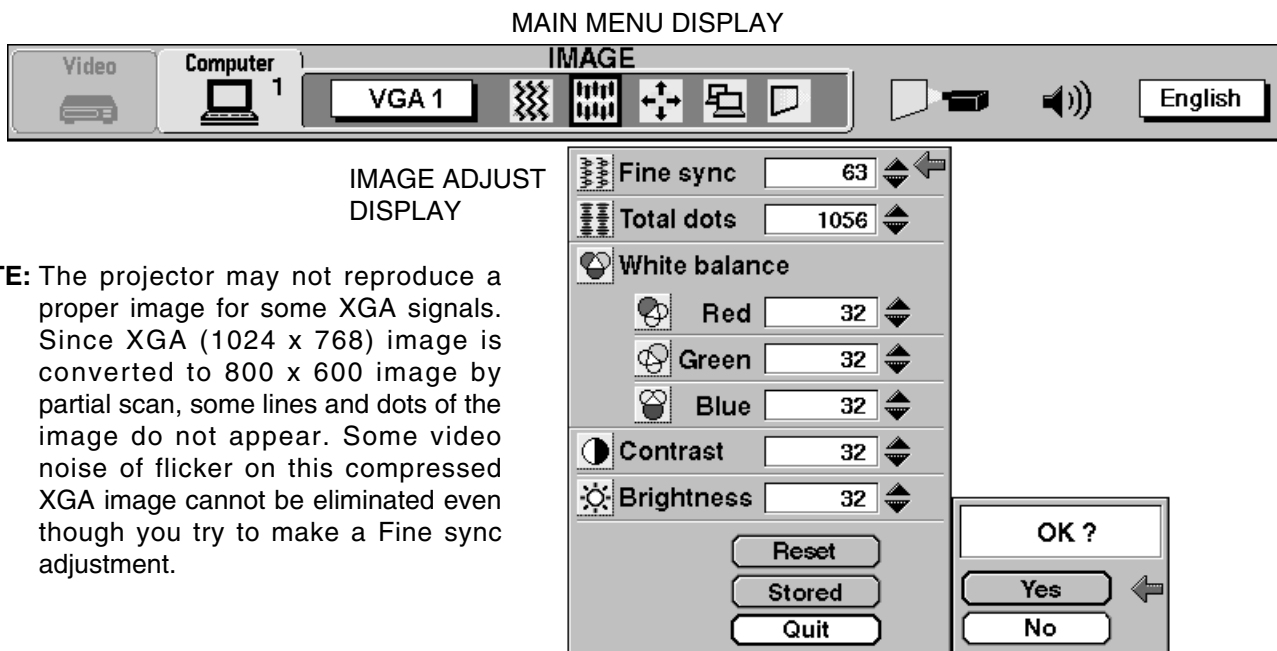
**NOTE:** The fine sync., total dots and screen position of some computers may not be fully adjusted with the "Auto Image Function". In that case, use the "Picture Image" and/or "Picture Position" adjustments (see pages 37 ~ 38) to make fine-adjust them after the "Auto Image Function" is executed.



## PICTURE IMAGE ADJUSTMENT (COMPUTER MODE)

Picture adjustments have been preset at the factory. If you want to change the setting, operate the projector as follows.

1. Press the MENU BUTTON and the MAIN MENU DISPLAY dialog box will appear.
2. Press the POINT LEFT/RIGHT BUTTON(s) to select IMAGE and press the SELECT (REAR CLICK) BUTTON. Another dialog box IMAGE ADJUST DISPLAY will appear. This shows the current picture settings.
3. In this dialog box, you can adjust the settings by increasing or decreasing the levels shown as numbers. The items and the range of the levels that you can adjust are summarized in the table below.
4. Press the POINT DOWN BUTTON and a red arrow will appear.
5. Move the arrow to an item that you want to adjust by pressing the POINT UP/DOWN BUTTON(s).
6. To increase the level, point the arrow to ▲ and then press the SELECT (REAR CLICK) BUTTON. To decrease the level, point the arrow to ▼ and then press the SELECT (REAR CLICK) BUTTON.
7. You may want to store the settings in the memory so that you can recall them later. To store the settings, move the arrow to Stored and then press the SELECT (REAR CLICK) BUTTON. When you have stored the settings, "OK ?" is displayed for confirmation.
8. Move the arrow to Yes and then press the SELECT (REAR CLICK) BUTTON. The stored settings are permanently held even if the MAIN ON/OFF is switched off.
9. To quit the MENU, move the arrow to Quit and then press the SELECT (REAR CLICK) BUTTON.
10. If you do not want to store the settings, move the arrow to Quit and then press the SELECT (REAR CLICK) BUTTON. The settings changed remains effective until the MAIN ON/OFF switch is turned off.
11. To recall the settings from the memory that you have stored, move the arrow to Reset and then press the SELECT (REAR CLICK) BUTTON. When you have reset the settings, "OK ?" is displayed for confirmation. Move the arrow to Yes and then press the SELECT (REAR CLICK) BUTTON. You can adjust the settings again if needed.



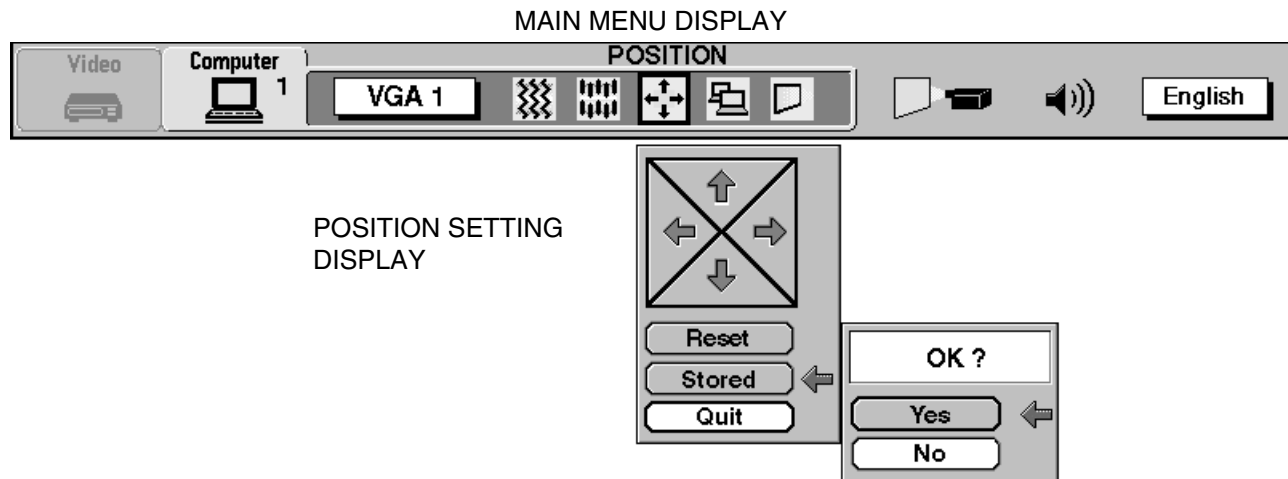
**NOTE:** The projector may not reproduce a proper image for some XGA signals. Since XGA (1024 x 768) image is converted to 800 x 600 image by partial scan, some lines and dots of the image do not appear. Some video noise of flicker on this compressed XGA image cannot be eliminated even though you try to make a Fine sync adjustment.

TABLE OF PICTURE IMAGE ADJUSTMENT

|                              |  |
|------------------------------|--|
| <b>FINE SYNC</b>             | Adjust the picture as necessary to eliminate flicker from the display. 0 ↔ 127                   |
| <b>TOTAL DOTS</b>            | The number of the total dots in one horizontal period. Adjust the number to match your PC image. |
| <b>WHITE BALANCE (R/G/B)</b> | DECREASE 0 ↔ 63 INCREASE   |
| <b>CONTRAST</b>              | LIGHTER 0 ↔ 63 DEEPER  |
| <b>BRIGHTNESS</b>            | DARKER 0 ↔ 63 BRIGHTER   |

## **PICTURE POSITION ADJUSTMENT (COMPUTER MODE)**

1. Press the MENU BUTTON and the MAIN MENU DISPLAY dialog box will appear.
2. Press the POINT LEFT/RIGHT BUTTON(s) to select POSITION and press the SELECT (REAR CLICK) BUTTON. Another dialog box POSITION SETTING DISPLAY will appear.
3. Press the POINT DOWN BUTTON and a red arrow will appear.
4. Move the arrow to a desirable direction (←, →, ↑ or ↓) by pressing the POINT LEFT/RIGHT/UP/DOWN BUTTON(s) and press the SELECT (REAR CLICK) BUTTON to a desirable picture position.
5. You may want to store the settings to the memory so that you can recall them later. To store the settings, move the arrow to Stored and then press the SELECT (REAR CLICK) BUTTON. When you have stored the settings, "OK ?" is displayed for confirmation.
6. Move the arrow to Yes and then press the SELECT (REAR CLICK) BUTTON. The stored settings are permanently held even if the MAIN ON/OFF is switched off.
7. To quit the MENU, move the arrow to Quit and then press the SELECT (REAR CLICK) BUTTON.
8. If you do not want to store the settings, move the arrow to Quit and then press the SELECT (REAR CLICK) BUTTON. The settings changed remains effective until the MAIN ON/OFF switch is turned off.
9. To recall the settings from the memory that you have stored, move the arrow to Reset and then press the SELECT (REAR CLICK) BUTTON. When you have reset the settings, "OK ?" is displayed for confirmation. Move the arrow to Yes and then press the SELECT (REAR CLICK) BUTTON. You can adjust the settings again if needed.



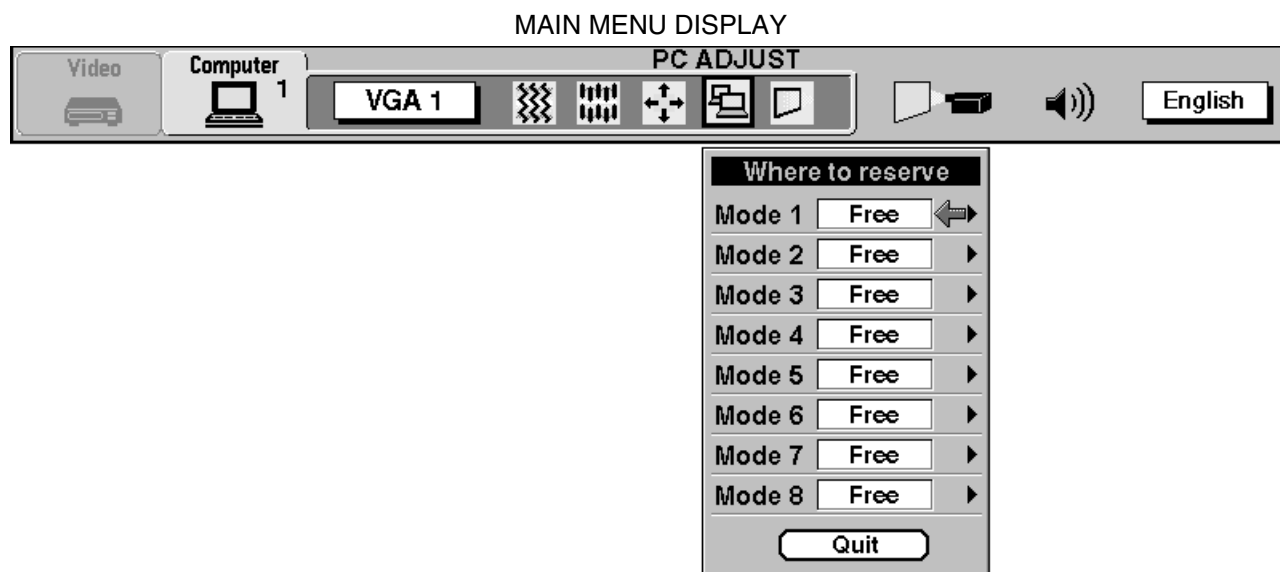
## PC ADJUSTMENT

This projector can automatically detect most display signals from most personal computers currently distributed. However, some computers employ a special signal format which is different from the standard one and may not be detected by this projector. If this happens, the projector cannot reproduce a proper image. Instead the image is often recognized as a flickering picture, a non-synchronized picture, a non-centered picture or a skewed picture.

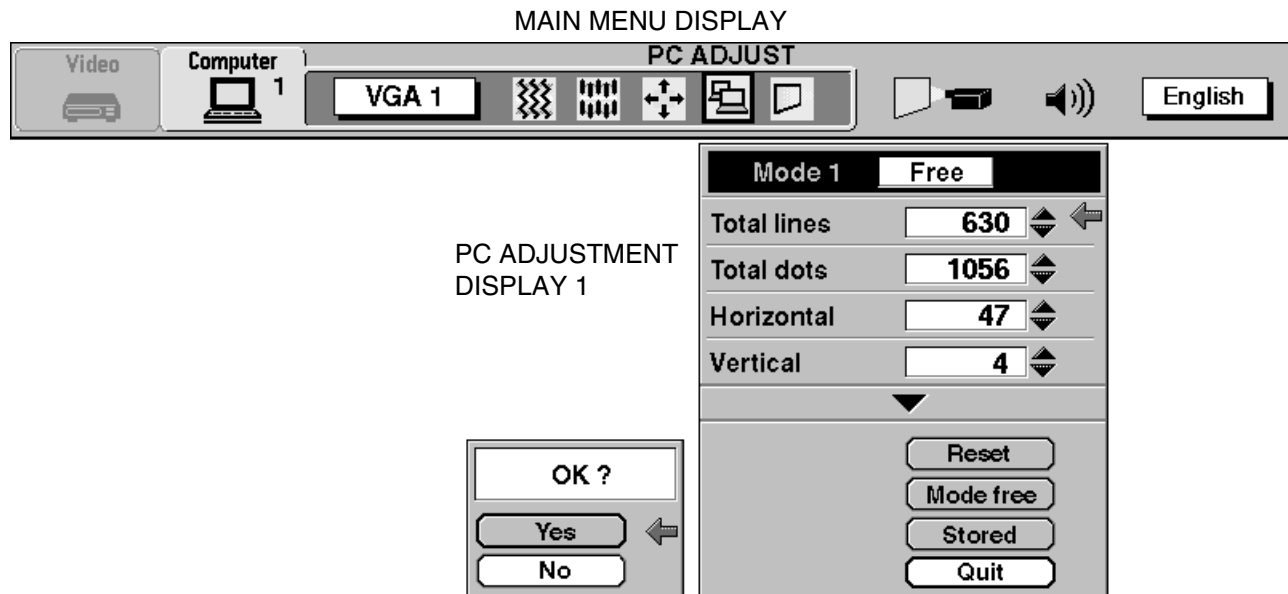
For those non-standard formats, this projector is provided with PC ADJUST, enabling you to precisely adjust several parameters to match with the input signal format. The projector has eight independent memory areas where you can store the parameter you have set. This enables you to recall the setting for a specific computer when you need it.

1. Press the MENU BUTTON and the MAIN MENU DISPLAY dialog box will appear.
2. Press the POINT LEFT/RIGHT BUTTON(s) to select PC ADJUST and press the SELECT (REAR CLICK) BUTTON. Another dialog box "Where to reserve" will appear.
3. In this dialog box, you will select one of the memory areas from among "Mode 1" to "Mode 8". If parameters have been previously set and stored in the memory, the status "Stored" will appear on the corresponding row. If not, "Free" will appear.
4. Press the POINT DOWN BUTTON and a red arrow will appear.
5. Move the arrow to one of the "Modes" (Free position) where you want to store the parameters by pressing the POINT UP/DOWN BUTTON(s). Press the SELECT (REAR CLICK) BUTTON to select it.

**NOTE:** If "Stored" appears in all Modes, no new PC parameter data can be stored. In this case, clear the PC parameter data using the Mode free Function.



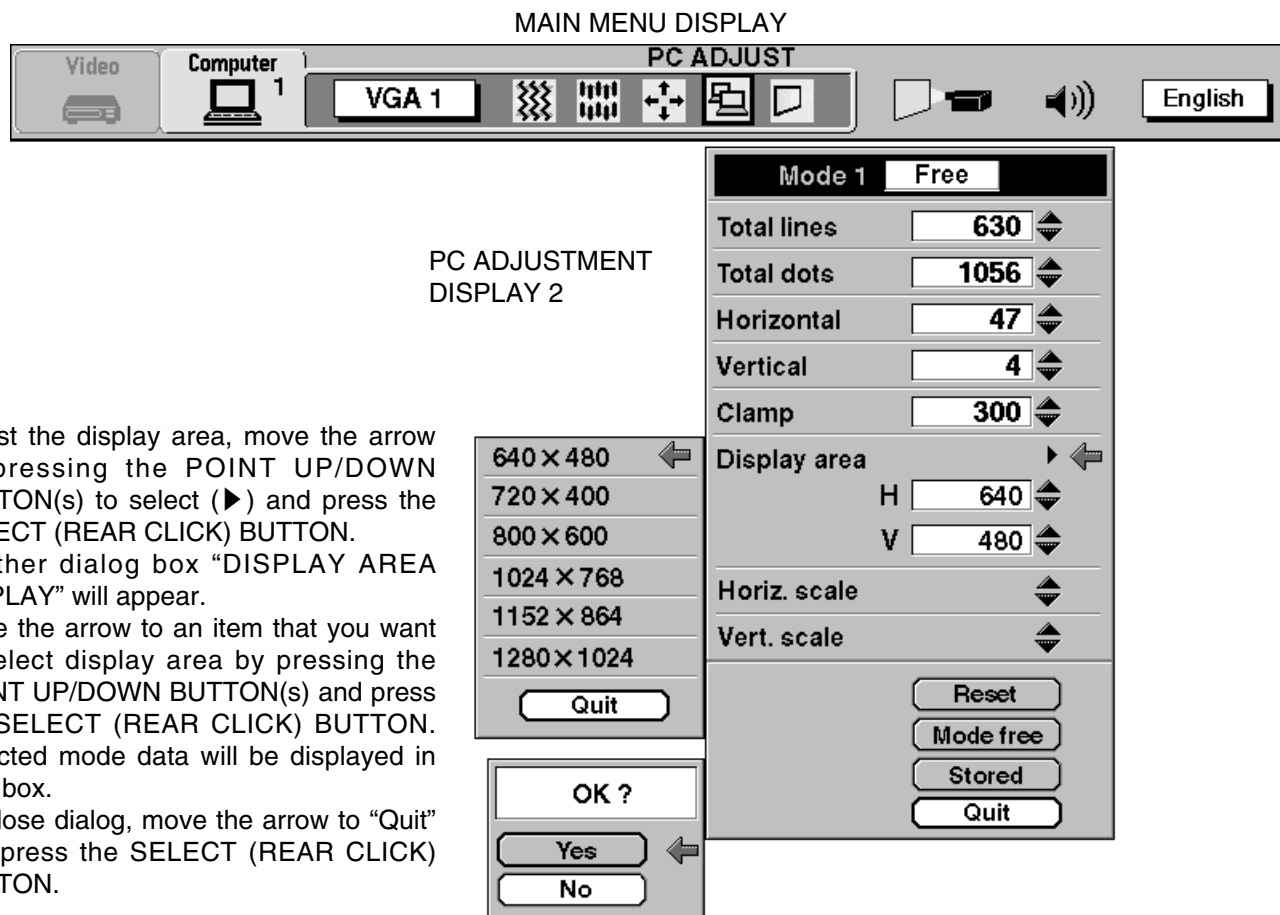
6. Another dialog box "PC ADJUSTMENT DISPLAY 1" will appear and the parameter data for the Mode you have selected is shown in this dialog box.
7. The parameters will be filled with the data determined by the projector according to the present signal input.
8. The function of the parameters and their values are summarized in the table below.
9. Move the arrow to an item that you want to adjust by pressing the POINT UP/DOWN BUTTON(s).
10. To increase the level, point the arrow to ▲ and then press the SELECT (REAR CLICK) BUTTON. To decrease the level, point the arrow to ▼ and then press the SELECT (REAR CLICK) BUTTON.
11. If you want to store the settings in the memory, move the arrow to Stored and press the SELECT (REAR CLICK) BUTTON. When you have stored the settings, "OK ?" is displayed for confirmation. Move the arrow to Yes and then press the SELECT (REAR CLICK) BUTTON .
12. To recall the parameter data before setting, move the arrow to Reset and then press the SELECT (REAR CLICK) BUTTON. When you have reset the settings, "OK ?" is displayed for confirmation. Move the arrow to Yes and then press the SELECT (REAR CLICK) BUTTON . You can adjust the settings again if needed.
13. To quit the MENU, move the arrow to Quit and then press the SELECT (REAR CLICK) BUTTON.
14. If you quit the MENU without storing the settings in the memory, the parameter data you changed will not be kept.
15. The stored settings are permanently held even if the MAIN ON/OFF is switched off.
16. Adjust the data such as a "Clamp", "Display area", Horiz. scale" and "Vert. scale" if needed, move the arrow by pressing the POINT UP/DOWN BUTTON(s) to select (▼). Press the SELECT (REAR CLICK) BUTTON.



| ITEM               | FUNCTION  |
|--------------------|---|
| <b>TOTAL LINES</b> | The number of the total vertical lines. Adjust the number to match your PC image.                         |
| <b>TOTAL DOTS</b>  | The number of the total dots in one horizontal period. Adjust the number to match your PC image.          |
| <b>HORIZONTAL</b>  | Adjustment of the horizontal picture position. When the image is not centered on the screen, adjust this. |
| <b>VERTICAL</b>    | Adjustment of the vertical picture position. When the image is not centered on the screen, adjust this.   |



17. Another dialog box “PC ADJUSTMENT DISPLAY 2” will appear and the parameter data for the Mode you have selected is shown in this dialog box.
18. Move the arrow to an item that you want to adjust by pressing the POINT UP/DOWN BUTTON(s).
19. To increase the level, point the arrow to ▲ and then press the SELECT (REAR CLICK) BUTTON. To decrease the level, point the arrow to ▼ and then press the SELECT (REAR CLICK) BUTTON.
20. If you want to store the settings in the memory, move the arrow to Stored and press the SELECT (REAR CLICK) BUTTON. When you have stored the settings, “OK ?” is displayed for confirmation. Move the arrow to Yes and then press the SELECT (REAR CLICK) BUTTON .
21. To recall the parameter data before setting, move the arrow to Reset and then press the SELECT (REAR CLICK) BUTTON. When you have reset the settings, “OK ?” is displayed for confirmation. Move the arrow to Yes and then press the SELECT (REAR CLICK) BUTTON . You can adjust the settings again if needed.
22. To quit the MENU, move the arrow to Quit and then press the SELECT (REAR CLICK) BUTTON.
23. If you quit the MENU without storing the settings in the memory, the parameter data you changed will not be kept.
24. The stored settings are permanently held even if the MAIN ON/OFF is switched off.

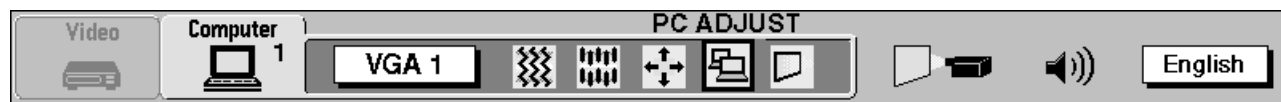
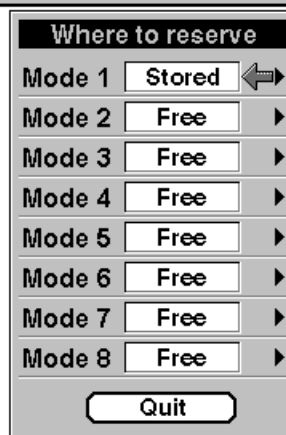
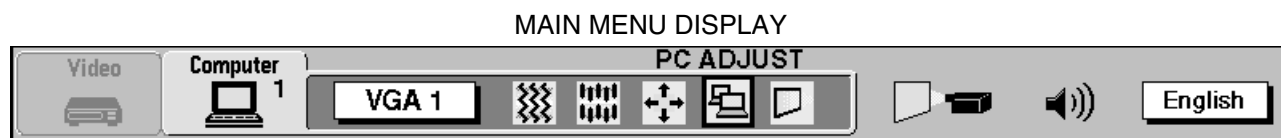


| ITEM                | FUNCTION   |
|---------------------|--|
| <b>CLAMP</b>        | Adjustment of the clamp level. When the image has a dark bar, try this adjustment. |
| <b>DISPLAY AREA</b> | Adjustment the display area to match your PC.                                      |
| <b>HORIZ. SCALE</b> | Expanding or compressing level for the horizontal direction.                       |
| <b>VERT. SCALE</b>  | Expanding or compressing level for the vertical direction.                         |

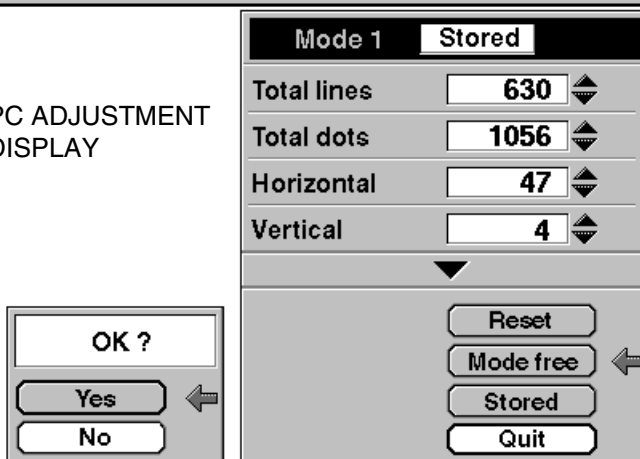
## MODE FREE

The Mode free function is provided to confirm or clear the parameter data produced by PC ADJUST.

1. Press the MENU BUTTON and the MAIN MENU DISPLAY dialog box will appear.
2. Press the POINT LEFT/RIGHT BUTTON(s) to select PC ADJUST and press the SELECT (REAR CLICK) BUTTON. Another dialog box "Where to reserve" will appear.
3. Press the POINT DOWN BUTTON and a red arrow will appear.
4. Move the arrow to one of the "Modes" (Stored position) that you want to confirm by pressing the POINT UP/DOWN BUTTON(s). Press the SELECT (REAR CLICK) BUTTON. Another dialog box "PC ADJUSTMENT DISPLAY" will appear.
5. To quit the MENU, point to Quit and then press the SELECT (REAR CLICK) BUTTON.
6. To modify the parameter data, perform the steps 9 ~ 24 of PC ADJUSTMENT SECTION.
7. To clear the parameter data, move the arrow by pressing the POINT UP/DOWN BUTTON(s) to select Mode free. Press the SELECT (REAR CLICK) BUTTON. "OK?" is displayed for confirmation.
8. Move the arrow to Yes and then press the SELECT (REAR CLICK) BUTTON to clear the parameter data.
9. To quit the MENU, move the arrow to Quit and then press the SELECT (REAR CLICK) BUTTON.



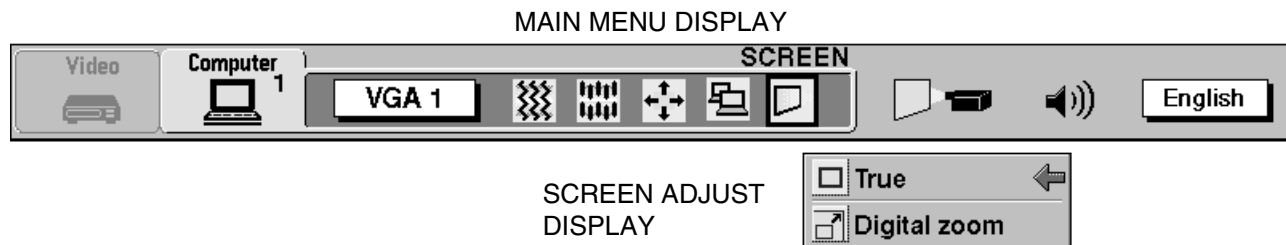
PC ADJUSTMENT  
DISPLAY



## **PICTURE SCREEN ADJUSTMENT (COMPUTER MODE)**

This projector can adjust the image size and pan the image with PICTURE SCREEN ADJUSTMENT.

1. Press MENU BUTTON and MAIN MENU DISPLAY dialog box will appear.
2. Press POINT LEFT/RIGHT BUTTON(s) to select SCREEN and press SELECT (REAR CLICK) BUTTON. Another dialog box SCREEN ADJUST DISPLAY will appear.
3. Press POINT DOWN BUTTON and a red arrow will appear.
4. To adjust the image size or pan the image, move the arrow to Digital zoom by pressing POINT UP/DOWN BUTTON(s) and then press SELECT (REAR CLICK) BUTTON. MAIN MENU DISPLAY and SCREEN ADJUST DISPLAY will disappear and the message "Quit" is displayed to indicate Digital Zoom mode.
5. To expand the image size, press SELECT (REAR CLICK) BUTTON. The image is magnified by degrees (Expand function).
6. To compress the image size, press FRONT CLICK BUTTON. The size of image is reduced by degrees (Compress function).
7. To pan the image, press POINT UP/DOWN/LEFT/RIGHT (POINTING PAD) BUTTON(s). The image move to the direction indicated (panning function).
8. To cancel Digital Zoom mode, press other buttons (except NO SHOW button).
9. To turn the image size to true size (800 x 600 in SVGA or XGA, and 640 x 480 in VGA), move the arrow to True by pressing POINT UP/DOWN BUTTON(s) and then press SELECT (REAR CLICK) BUTTON. The image size is turned to the true size.



- This projector cannot display in the resolution more than 1024 x 768. If your computer's screen resolution is higher than 1024 x 768, reset the resolution to the lower before connecting the projector.
- The image data of VGA (640 x 480) or XGA (1024 x 768) is modified to fit the screen size in the initial mode.
- The maximum size in expand mode is 4 times as large as the screen size (800 x 600).
- The minimum size in compress mode is the screen size (800 x 600) in SVGA, XGA mode, or 640 x 480 in VGA mode.
- Panning function can work only when the image is expanded.

## **OTHER FUNCTION SETTING**

This projector has other function settings; Blue back, Display, Ceiling, Rear, Split wipe and Lamp age.

### **BLUE BACK**

When this function is in the “On” position, the projector will project a blue image without video noise on the screen when the video source is unplugged or turned off.

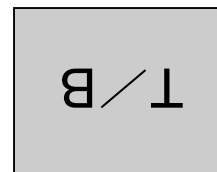
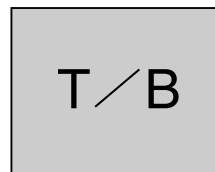
### **DISPLAY**

When this function is in the “On” position, on-screen displays always appear when adjustments are made. Although these on-screen displays are very helpful, these may spoil the view if adjustments are made during presentations. To avoid this, you can keep back certain displays by switching this function “Off”. The followings are the displays that you can hide.

- Wait Display
- Mode Display
- Volume Display
- Mute Display
- Zoom/Focus Display
- Normal Display
- No show Display

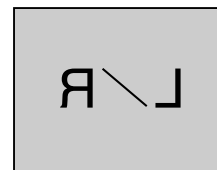
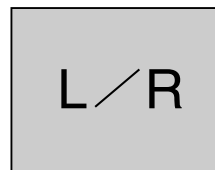
### **CEILING**

When this function is in the “On” position, the top/bottom and the left/right picture reverse capability lets you project from a ceiling-mounted projector.



### **REAR**

When this function is in the “On” position, the left/right picture reverse capability lets you project onto a rear projection screen.



### **SPLIT WIPE**

Turn SPLIT WIPE function On in the SETTING menu. The picture will change into next one by sliding black image side ways when the input source is changed.

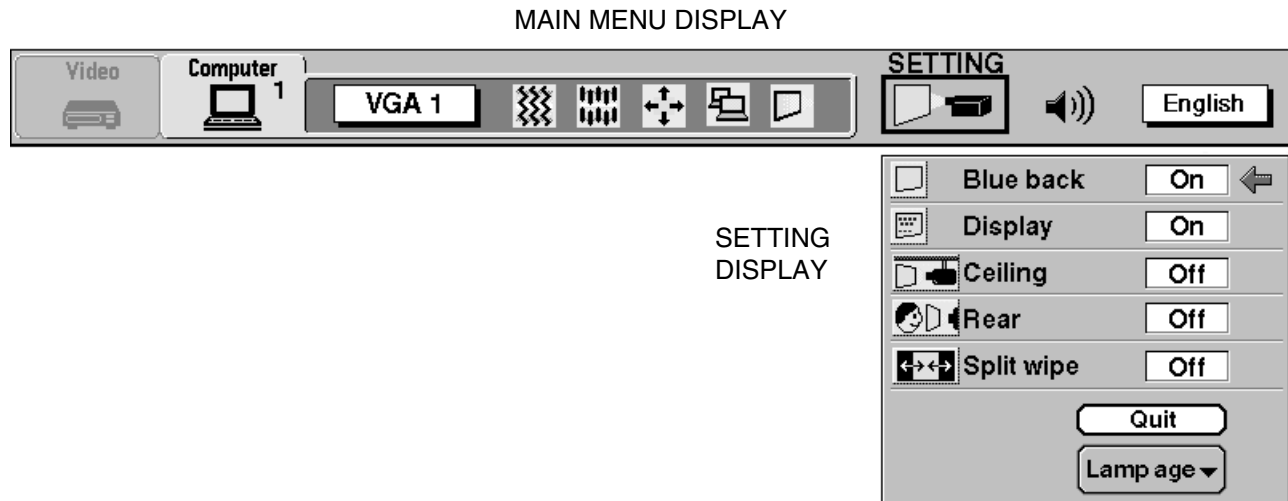
Change the input source by MODE button. The picture is replaced by black image from side ways to the center, and the next one appears from the center to side ways like drawing the black curtains.

### **LAMP AGE**

The Lamp age function is designed to reset the lamp replacement monitor timer. When replacing the lamp, reset the lamp replacement monitor timer by using this function.

## **BLUE BACK, DISPLAY, CEILING, REAR AND SPLIT WIPE**

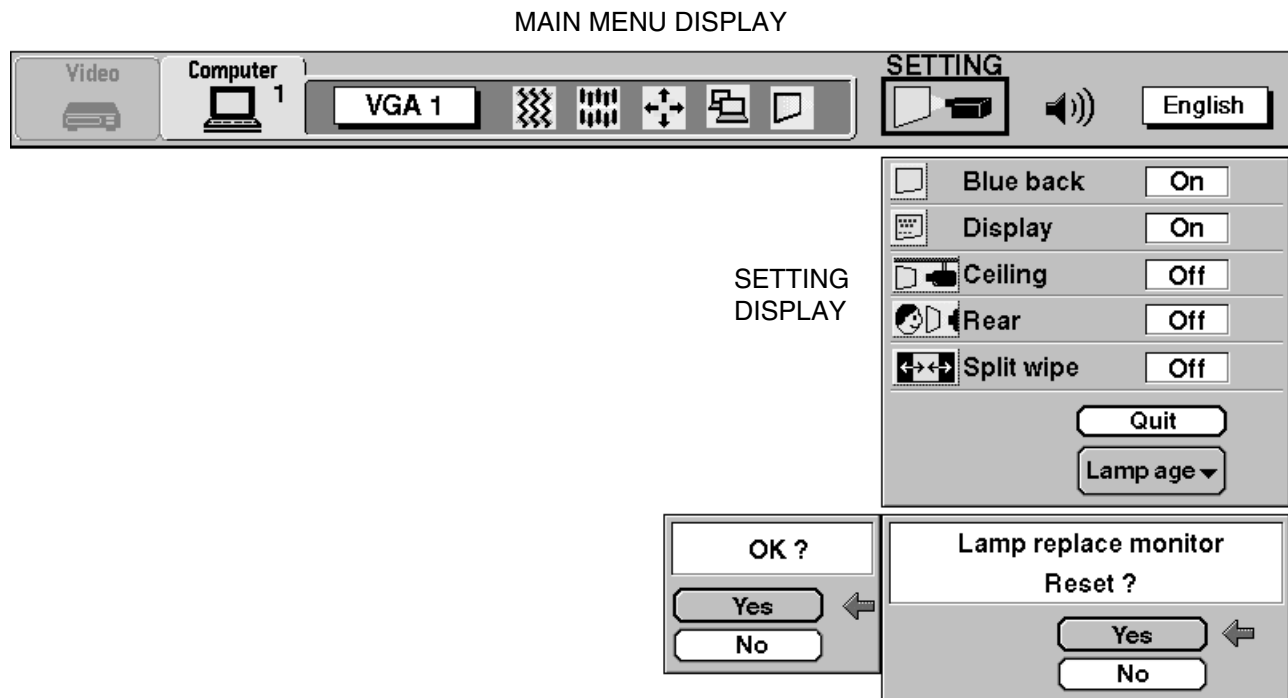
1. Press the MENU BUTTON and the MAIN MENU DISPLAY dialog box will appear.
2. Press the POINT LEFT/RIGHT BUTTON(s) to select SETTING and press the SELECT (REAR CLICK) BUTTON. Another dialog box SETTING DISPLAY will appear.
3. Press the POINT DOWN BUTTON and a red arrow will appear.
4. Move the arrow to an item you want to set by pressing the POINT UP/DOWN BUTTON(s).
5. If you want to change the setting (On or Off), press the SELECT (REAR CLICK) BUTTON.
6. To quit the MENU, point to Quit and then press the SELECT (REAR CLICK) BUTTON.
7. The settings are permanently kept even if the MAIN ON/OFF is switched off.



## LAMP AGE

**NOTE:** Do not reset the LAMP REPLACEMENT MONITOR TIMER, except after the lamp is replaced.

1. Press the MENU BUTTON and the MAIN MENU DISPLAY dialog box will appear.
2. Press the POINT LEFT/RIGHT BUTTON(s) to select SETTING and press the SELECT (REAR CLICK) BUTTON. Another dialog box SETTING DISPLAY will appear.
3. Press the POINT DOWN BUTTON and a red arrow will appear.
4. Move the arrow by pressing the POINT UP/DOWN BUTTON(s) to select Lamp age and then press the SELECT (REAR CLICK) BUTTON. When you reset the lamp replace monitor, "lamp replace monitor reset?" is displayed for confirmation.
5. Move the arrow to Yes and then press the SELECT (REAR CLICK) BUTTON, "OK?" is displayed for confirmation. Move the arrow to Yes and then press the SELECT (REAR CLICK) BUTTON, the lamp replace monitor is reset.
6. Move the arrow to No and then press the SELECT (REAR CLICK) BUTTON. The lamp replace monitor is not reset.
7. To quit the MENU, move the arrow to Quit and then press the SELECT (REAR CLICK) BUTTON.



## AIR FILTER CARE AND CLEANING

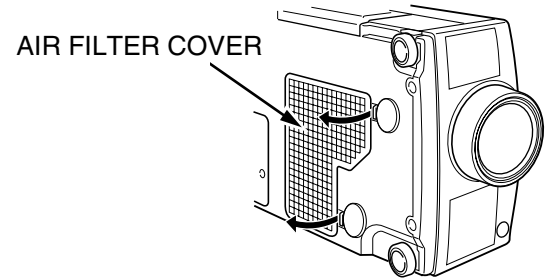
The removable air filter prevents dust from accumulating on the surface of the projection lens and projection mirror. Should the air filter become clogged with dust particles, it will reduce the cooling fan's effectiveness and may result in internal heat build up and reduce the life of the projector.

To clean the air filter, follow the cleaning procedures below:

1. Turn the LAMP POWER ON/OFF button OFF.
2. Remove the air filter cover.
3. Remove the air filter from the filter cover.
4. Clean the air filter with a vacuum cleaner.
5. Replace the air filter. Make sure that air filter cover is fully inserted.



Do not clean with water. Doing so may damage the air filter.  
Do not operate the projector with air filter removed.

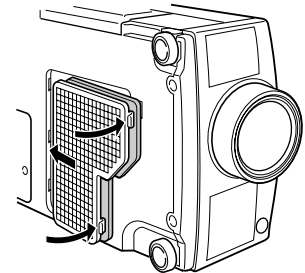
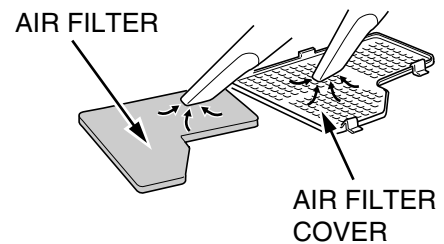


### RECOMMENDATION

**TO ENJOY PICTURE IMAGE, USE THE PROJECTOR IN THE CLEAN ENVIRONMENT. USAGE IN THE CLEAN ENVIRONMENT IS RECOMMENDED.**

When used under the dusty or smoky conditions, dust may accumulate on the liquid crystal panel and lens inside it, and may resultantly be projected on the screen together with the picture.

When the above symptoms are noticed contact the place where your authorized dealer or service station for the cleaning.

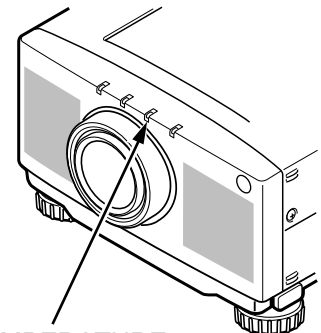


## TEMPERATURE WARNING INDICATOR

The TEMPERATURE WARNING INDICATOR flashes red when the internal temperature of the projector exceeds the normal temperature.

Possible causes for the temperature warning may be:

1. Ventilation slots of the projector are blocked. In such an event, reposition the projector so that ventilation slots are not obstructed.
2. Air filter is clogged with dust particles. Remove dust from the air filter by following instructions in the Air Filter Care and Cleaning section above.
3. If temperature warning indicator remains on after performing the checks listed above, cooling fan/internal circuits may be malfunctioning. Request service from an authorized dealer or service station.



TEMPERATURE  
WARNING  
INDICATOR

# LAMP REPLACEMENT

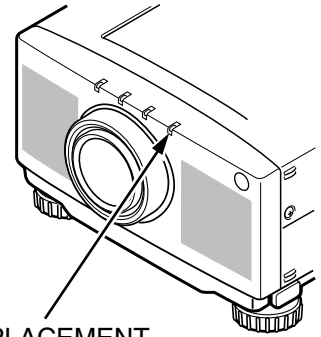
If the lamp fails to come on and the lamp monitor on the projector light is orange, you must replace the bulb.



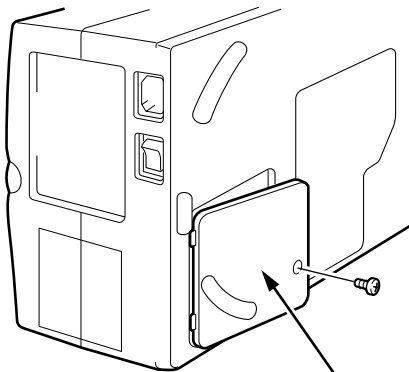
- For continued safety, replace with a lamp assembly of the same type.
- Allow the projector to cool for at least 45 minutes before you open the lamp cover. The inside of the projector can become very hot.
- Do not drop the lamp module or touch the glass bulb ! The glass can shatter and cause injury.

Follow these steps to replace the lamp assembly.

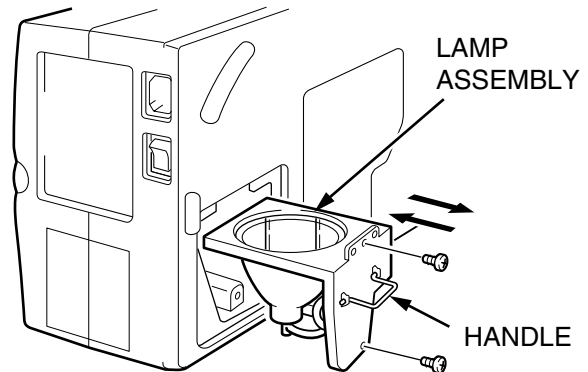
1. Turn off the projector and allow the projector to cool thoroughly.
2. Disconnect the AC cord from the projector.
3. Remove screw with a screwdriver and disconnect the lamp cover.
4. Remove 2 screws with a screwdriver and pull out the lamp assembly by grasping the handle.
5. Replace the lamp assembly.
6. Tighten 3 screws to secure the lamp cover to the lamp assembly.
7. Connect the detachable AC cord to the projector.



LAMP REPLACEMENT INDICATOR



LAMP COVER



LAMP ASSEMBLY

HANDLE

8. Reset the lamp replacement monitor timer. (See “LAMP AGE” section on page 46.)

**NOTE:** Do not reset the LAMP REPLACEMENT MONITOR TIMER, except after the lamp is replaced.

## ORDER REPLACEMENT LAMP

Replacement Lamp can be ordered through your dealer. When ordering the Lamp, give the following information to the dealer.

- Model No. of your projector : PLC-SP20N
  - Replacement Lamp Type No. : POA-LMP18J
- (Service Parts No. 610 279 5417)



## CLEANING THE LENS

Follow these steps to clean the projection lens:

1. Apply a non-abrasive camera lens cleaner to a soft, dry cleaning cloth.  
Avoid using an excessive amount of cleaner.  
Abrasive cleaners, solvents or other harsh chemicals might scratch the lens.
2. Lightly wipe the cleaning cloth over the lens.
3. If you don't intend to use the projector immediately, replace the lens cover.

## TROUBLESHOOTING

Before calling your dealer or service station for assistance, follow these steps, to make sure everything is properly connected.

1. Make sure you have connected the projector to your equipment as described in section “CONNECTING THE PROJECTOR” on pages 10 ~ 17.
2. Check cable connections. Verify that all computer, video and power cords are properly connected.
3. Verify that power is switched on.
4. If the projector still does not display an image, restart the computer.
5. If the image still does not display, unplug the projector from the computer and check the computer monitor's display. The problem may be with your graphics controller rather than with the projector. (When you reconnect the projector, remember to turn the computer and monitor off before you power up the projector. Power the equipment back up in this order: Projector, monitor, computer)
6. If the problem still exists, check the following chart.

| Problem:                     | Try these Solutions:   |
|------------------------------|--|
| <b>No power</b>              | <ul style="list-style-type: none"> <li>● Plug the projector into an AC outlet.</li> <li>● Turn the MAIN ON/OFF button to ON.</li> <li>● Press the LAMP POWER ON/OFF switch to ON.</li> <li>● Be sure the READY INDICATOR light is ON.</li> <li>● Wait one minute after the projector is turned OFF before turning the projector back on.</li> </ul> <p><b>NOTE:</b> After pressing the LAMP POWER ON/OFF button to OFF . The projector functions as indicated.</p> <ol style="list-style-type: none"> <li>1. The LAMP POWER indicator will light and the READY indicator will turn off.</li> <li>2. After one minute, the READY indicator will light green again and the projector may be turned on by pressing the LAMP POWER ON/OFF button.</li> </ol> <ul style="list-style-type: none"> <li>● Check temperature warning indicator. If the indicator flashes red, the projector cannot be turned on. (See “USING THE PROJECTOR” section on page 27).</li> <li>● Check the projection lamp.</li> </ul> |
| <b>Image is out of focus</b> | <ul style="list-style-type: none"> <li>● Adjust the focus.</li> <li>● Make sure the projection screen is at least 3.6 feet (1.1 m) from the projector.</li> <li>● Check the projection lens to see if it needs cleaning.</li> </ul> <p><b>NOTE:</b> Moving the projector from a cool temperature location to a warm temperature location may result in moisture condensation on the lens. In such an event, leave the projector OFF and wait until condensation disappears.</p>  |

| Problem:   | Try these Solutions:  |
|--|---|
| Picture is L/R Reversed.                         | Check Ceiling/Rear feature.<br>(See "OTHER FUNCTION SETTING" section on pages 44 ~ 45).   |
| Picture is T/B inverted.                         | Check Ceiling feature.<br>(See "OTHER FUNCTION SETTING" section on pages 44 ~ 45).  |
| Some displays are not seen during the operation. | Check Display feature.<br>(See "OTHER FUNCTION SETTING" section on pages 44 ~ 45).  |
| No sound.  | <ul style="list-style-type: none"> <li>● Check audio cable connection from audio input source.</li> <li>● Adjust audio source.</li> <li>● Press the VOLUME (+) button.</li> <li>● Press the MUTE button.</li> </ul>   |
| Remote control unit doesn't work.                | <ul style="list-style-type: none"> <li>● Check the batteries.</li> <li>● Make sure nothing is blocking between the remote control sensor and remote control unit.</li> <li>● Make sure you are not too far from the projector when using the remote control unit. {Maximum operate range 16.4 feet (5 m)}.</li> </ul> |
| Wireless mouse function does not work.           | <ul style="list-style-type: none"> <li>● Check the cable connection between the projector and the computer.</li> <li>● Check the mouse setting on your computer.</li> <li>● Turn on the projector before you turn on the computer.</li> </ul>   |

## SERVICE

**WARNING: High voltages are used to operate this projector. Do not remove the back from your unit.**

You can often correct operating problems yourself. If the projector fails to work properly, see "TROUBLESHOOTING" section on pages 49-50. To correct the failure, try the "Solutions".

Sanyo Services is easily obtained. If after following all operating instructions, you find that service is necessary, contact the SFS Corporation in Los Angeles, or the store where you purchased the unit.

Give the model number and explain the difficulty. We will advise you how to obtain service.

## OPTIONAL PARTS

The parts listed below are optionally supplied. When ordering those parts, give the name and the Type No. of it to the sales dealer.

- Control Cable for Serial Port    Type No. : POA-MC12SRL (Service Parts No. 645 025 6349)
- Control Cable for ADB Port    Type No. : POA-MC12MAC (Service Parts No. 645 024 6326)
- MAC Adapter    Type No. : POA-MACAP (Service Parts No. 645 031 8207)

# TECHNICAL SPECIFICATIONS

## SPECIFICATIONS

|   |   |
|---|---|
| <b>Projector Type</b>                   | Multi-media Projector   |
| <b>Dimensions (W x H x D)</b>           | 10.7" (272 mm) x 5.7" (145.5 mm) x 16.2" (412.5 mm)             |
| <b>Net Weight</b>                       | 14.6 lbs (6.6 kg)   |
| <b>LCD Panel System</b>                 | 1.3" TFT Active Matrix type (Thin Film Transistor) x 3          |
| <b>Number of Pixels</b>                 | 1,440,000 {480,000 (800 x 600) x 3}                             |
| <b>Color System</b>                     | 5 color system (PAL, SECAM, NTSC, NTSC4.43 and PAL-M)           |
| <b>Scanning Frequency</b>               | H-sync. 15 ~ 100 KHz, V-sync. 50 ~ 100 Hz                       |
| <b>Projection Image Size (Diagonal)</b> | Adjustable from 30" to 300"                                     |
| <b>Contrast Ratio</b>                   | 300 : 1   |
| <b>Horizontal Resolution</b>            | 750 TV lines  |
| <b>Projection Lens</b>                  | F1.8 ~ 2.1 lens with f48.4 mm ~ 62.8 mm Motor zoom and focus    |
| <b>Throw Distance</b>                   | 4.6' (1.4 m) ~ 35.4' (10.8 m)                                   |
| <b>Projection Lamp</b>                  | 150 watt type   |
| <b>Projection Mirror</b>                | Dichroic mirror and X-prism system                              |
| <b>AV Input jacks</b>                   | RCA Type x 1 (Video, Audio R and L) and DIN 4 pin (S-Video) x 1 |
| <b>Computer Input Jack</b>              | (VGA) HDB15 Terminal x 2, Multi-pole 12 pin (Control port) x 2  |
| <b>Monitor Output Jack</b>              | (VGA) HDB15 Terminal x 1  |
| <b>Computer Audio Input Jack</b>        | Mini Stereo Type x 2  |
| <b>Video Monitor Output Jack</b>        | RCA Type x 1  |
| <b>Audio Monitor Output Jacks</b>       | RCA Type x 1 (R and L)  |
| <b>Other Jacks</b>                      | EXT. Speaker Jack x 1   |
| <b>Built-in Speaker</b>                 | INT. SP. Stereo (R and L), 2 watt RMS (T.H.D. 10%)              |
| <b>Image Elevation Adjustment</b>       | Up to 6°  |
| <b>Voltage</b>                          | 100 ~ 120V AC, 50/60 Hz   |
| <b>Power Consumption</b>                | 2.9A (Max. Ampere)  |
| <b>Operating Temperature</b>            | 5°C ~ 35°C  |
| <b>Storage Temperature</b>              | -10°C ~ 60°C  |
| <b>Remote Control Battery</b>           | (2) AA Type   |



This symbol on the nameplate means the product is Listed by Underwriters Laboratories Inc. It is designed and manufactured to meet rigid U.L. safety standards against risk of fire, casualty and electrical hazards.

**SANYO INDUSTRIAL VIDEO  
LCD PROJECTOR LIMITED WARRANTY**

**OBLIGATIONS**

In order to obtain warranty service, the product must be delivered to and picked up from an Authorized Sanyo Factory Service Center at the user's expense, unless specifically stated otherwise in this warranty. The names and addresses of Authorized Sanyo Service Centers may be obtained by calling the toll-free number listed below.

For product operation, authorized service center referral, service assistance or problem resolution, call

**CUSTOMER INFORMATION 1-800-421-5013  
Weekdays 8:00 AM - 5:00 PM Pacific Time**

For accessories and/or parts not available from an authorized dealer, call

**PARTS ORDER INFORMATION 1-800-726-9662  
Weekdays 8:00 AM - 5:00 PM Pacific Time**

**THIS WARRANTY IS VALID ONLY ON SANYO PRODUCTS PURCHASED OR RENTED AND USED IN THE UNITED STATES OF AMERICA, EXCLUDING ALL U.S. TERRITORIES AND PROTECTORATES, FOR INDUSTRIAL, PROFESSIONAL OR COMMERCIAL PURPOSES. THIS WARRANTY APPLIES ONLY TO THE ORIGINAL PURCHASER. THE ORIGINAL DATED BILL OF SALE, SALES SLIP OR RENTAL AGREEMENT MUST BE SUBMITTED TO THE AUTHORIZED SANYO SERVICE CENTER AT THE TIME WARRANTY SERVICE IS REQUESTED.**

Subject to the OBLIGATIONS above and EXCLUSIONS below, SANYO FISHER COMPANY (SFC) warrants this SANYO product against defects in materials and workmanship for periods of LABOR and PARTS specified below. SFC will repair or replace (at its option) the product and any of its parts which fail to conform to this warranty. The warranty period commences on the date the product was first purchased or rented at retail.

|                |                |                |
|----------------|----------------|----------------|
| <b>LABOR</b>   | <b>PARTS</b>   | <b>LAMP</b>    |
| <b>3 YEARS</b> | <b>3 YEARS</b> | <b>90 DAYS</b> |

**EXCLUSIONS**

This warranty does not cover (A) the adjustment of customer-operated controls as explained in the appropriate model's instruction manual, or (B) the repair of any product whose serial number has been altered, defaced or removed.

This warranty shall not apply to the cabinet or cosmetic parts, knobs or batteries or routine maintenance.

This warranty does not apply to uncrating, setup, installation, removal of the product for repair or reinstallation of the product after repair.

This warranty does not apply to repairs or replacements necessitated by any cause beyond the control of SFC including, but not limited to, any malfunction, defect or failure caused by or resulting from unauthorized service or parts, improper maintenance, operation contrary to furnished instructions, shipping or transit accidents, modification or repair by the user, abuse, misuse, neglect, accident, incorrect power line voltage, fire, flood or other Acts of God, or normal wear and tear.

The foregoing is in lieu of all other express warranties and SFC does not assume or authorize any party to assume for it any other obligation or liability.

SFC DISCLAIMS ALL WARRANTIES WHICH MAY BE IMPLIED BY LAW (INCLUDING THE WARRANTIES OF MERCHANTABILITY AND FITNESS). SFC'S LIABILITY FOR ANY AND ALL LOSSES AND DAMAGES RESULTING FROM ANY CAUSE WHATSOEVER, INCLUDING WARRANTOR'S NEGLIGENCE, ALLEGED DAMAGED OR DEFECTIVE GOODS, WHETHER SUCH DEFECTS ARE DISCOVERABLE OR LATENT, SHALL IN NO EVENT EXCEED THE PURCHASE PRICE OF THE EQUIPMENT.

**ATTENTION**

For your protection in the event of theft or loss of this product, please fill in the information below for your own personal records.

Model No. \_\_\_\_\_

Serial No. \_\_\_\_\_  
(Located on back or bottom side of unit.)

Date of Purchase \_\_\_\_\_ Purchase Price \_\_\_\_\_

Where Purchased \_\_\_\_\_



21605 Plummer Street,  
Chatsworth, California 91311

Printed in Japan  
Part No. 610 284 0070 (1AA6P1P2231-- M6YAB)