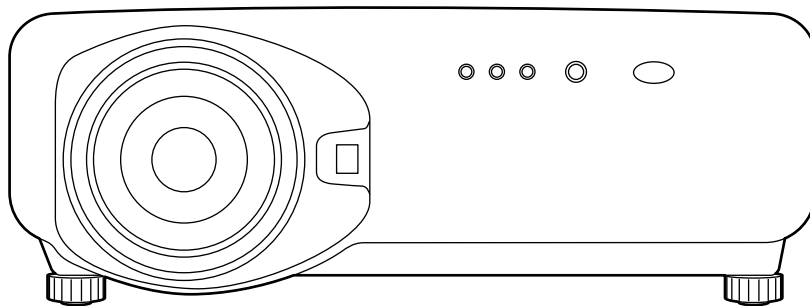


Panasonic®

Operating Instructions

DLP™ Based Projector Commercial Use

Model No. **PT-D7700U**
PT-DW7000U



Read these instructions completely before operating this unit.

Dear Panasonic Customer:

This instruction booklet provides all the necessary operating information that you might require. We hope it will help you to get the most performance out of your new product, and that you will be pleased with your Panasonic DLP™ based projector.

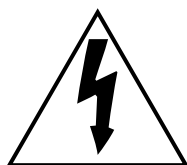
The serial number of your product may be found on its back. You should note it in the space provided below and retain this booklet in case service is required.

Model number: **PT-D7700U / PT-DW7000U**

Serial number:

IMPORTANT SAFETY NOTICE

WARNING: TO REDUCE THE RISK OF FIRE OR ELECTRIC SHOCK, DO NOT EXPOSE THIS PRODUCT TO RAIN OR MOISTURE.



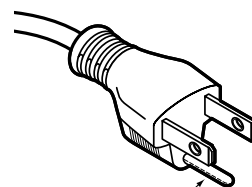
The lightning flash with arrowhead symbol, within an equilateral triangle, is intended to alert the user to the presence of uninsulated “dangerous voltage” within the Product's enclosure that may be of sufficient magnitude to constitute a risk of electric shock to persons.



The exclamation point within an equilateral triangle is intended to alert the user to the presence of important operating and maintenance (servicing) instructions in the literature accompanying the product.

CAUTION:

This equipment is equipped with a three-pin grounding-type power plug. Do not remove the grounding pin on the power plug. This plug will only fit a grounding-type power outlet. This is a safety feature. If you are unable to insert the plug into the outlet, contact an electrician. Do not defeat the purpose of the grounding plug.



Do not remove

WARNING: This equipment has been tested and found to comply with the limits for a Class B digital device, pursuant to part 15 of the FCC Rules. These limits are designed to provide reasonable protection against harmful interference in a residential installation. This equipment generates, uses and can radiate radio frequency energy and, if not installed and used in accordance with the instructions, may cause harmful interference to radio communications. However, there is no guarantee that interference will not occur in a particular installation. If this equipment does cause harmful interference to radio or television reception, which can be determined by turning the equipment off and on, the user is encouraged to try to correct the interference by one or more of the following measures:

- Reorient or relocate the receiving antenna.
- Increase the separation between the equipment and receiver.
- Connect the equipment into an outlet on a circuit different from that to which the receiver is connected.
- Consult the dealer or an experienced radio/TV technician for help.

FCC CAUTION: To assure continued compliance, use only shielded interface cables when connecting to computer or peripheral devices. Any unauthorized changes or modifications to this equipment could void the user's authority to operate.

WARNING: Not for use in a computer room as defined in the Standard for the Protection of Electronic Computer/Data Processing Equipment, ANSI/NFPA 75.

Declaration of Conformity

Model Number: PT-D7700U / PT-DW7000U
Trade Name: **Panasonic**
Responsible Party: Panasonic Corporation of North America
Address: One Panasonic Way Secaucus, NJ 07094
Telephone Number: 1-800-528-8601 or 1-800-222-0741
Email: pbtsservice@panasonic.com

This device complies with Part 15 of the FCC Rules. Operation is subject to the following two conditions: (1) This device may not cause harmful interference, and (2) this device must accept any interference received, including interference that may cause undesired operation.

NOTICE: This product has a High Intensity Discharge (HID) lamp that contains a small amount of mercury. It also contains lead in some components. Disposal of these materials may be regulated in your community due to environmental considerations. For disposal or recycling information please contact your local authorities, or the Electronics Industries Alliance: <<http://www.eiae.org>>

Contents

IMPORTANT SAFETY NOTICE	2	Adjusting the position	53
Precautions with regard to safety	5	Shift adjustment	53
Accessories	7	Size adjustment	54
Precautions on handling	8	Clock phase adjustment	55
Examples of system expansion	9	Keystone distortion correction	56
Name and function of parts	10	How to use ADVANCED MENU	57
Remote control	10	DIGITAL CINEMA REALITY	57
Front and side of the projector	12	Blanking adjustment	58
Rear view of the main unit	13	Adjusting the input resolution	59
Controls on rear panel	13	Adjusting the clamp position	60
Side-mounted connection terminals	14	Edge blending adjustment	61
Using the remote control unit	15	Raster position	63
Loading dry cells	15	Changing the display language	64
Effective range of remote control operation	15	How to change the system format	65
Setting projector ID number to remote control	16	Option settings	66
Using the remote control as a PC mouse	17	ID number setting	66
Using a wired remote control	17	Installation Setting	67
Installation	18	Lamp select	68
Adjusting the leveling feet	18	Lamp power	68
Projection scheme	18	RS232C SETTING (Procedure of setting communication conditions)	69
Installation geometry	18	Position of on-screen indications	69
Projection distances by the type of projection lenses (optional) ..	19	System information	69
Connection	24	Adjusting color matching	70
Before starting connection	24	Adjusting the color matching using a colorimeter	71
Example of connecting with VIDEO devices	25	Video setting	72
Example of connecting with personal computers	26	DVI EDID (Only when the ET-MD77DV input module is installed)	72
Example of connecting with the signal selector	27	Automatic adjustment	72
Installation of input module (optional)	28	Output resolution (D7700U only)	73
Installing the input module	28	Auto signal	73
Connecting signals to the input module	30	Fan control	73
Connecting the signal to the SD-SDI input module	31	P IN P	74
Connecting the signal to the HD/SD-SDI input module	32	Setting FUNC1	75
Connecting signals to the DVI-D input module	33	Password	75
How to install and remove the projection lens (optional)	34	Using the serial terminals	76
How to install the projection lens	34	Examples of connection	76
How to remove the projection lens	34	Pin assignments and signal names	76
Projection	35	Communication conditions (Factory setting)	76
Powering up the projector	35	Basic format	76
Making adjustment and selection	35	Control commands	77
Powering off the projector	36	Cable specifications	77
How to adjust the lens	37	Using the REMOTE 2 terminal	78
How to adjust the lens focus, lens zoom and lens shift (optical shift) ..	37	Displaying the internal test pattern	79
Adjustment range after lens position (optical shift)	37	Cycle of displayed internal test patterns	79
How to adjust the lens for addressing unevenness of focusing ..	38	RS-422 control functions	79
Automatic adjustment (AUTO SETUP)	39	Setting the security	80
Registration of input signal data	40	Setting the password	80
Registration of new data	40	Changing the password	81
Renaming the registered signals	40	Setting the text	81
Clearing the data of registered signals	41	Changing the text	81
Sub memory	42	How to use CP OPTION	82
Using the FREEZE function	44	Setting the on-screen indication function	82
Using the SHUTTER function	44	Setting the system format	83
Using the digital zoom (- D.ZOOM +) function	44	How to use network function (optional)	84
On-screen menus	45	Initial setting of network function	85
Structure of menu screens	45	Accessing from the Web browser	87
Basic operations on menu screen	46	Returning the network function setting back to the factory setting	97
Returning to the previous screen	46	Indication of monitor lamp	98
Menu items shown in gray characters	46	Cleaning and replacement of air filter	99
Menu items setting	46	Procedure of cleaning	99
Resetting to the factory default	46	Replacement of lamp unit	100
Adjusting the picture	47	Timing of lamp unit replacement	100
Switching the picture mode	47	Procedure of lamp unit replacement	101
Adjusting Contrast / Bright / Color / Tint	48	Before asking for service	103
Registering the picture mode settings as presets	49	Specifications	104
DYNAMIC IRIS setting	50	Appendix	106
Adjusting the color temperature	51	Outside dimensions	107
Sharpness / Gamma / Noise reduction	52	Français Information	108
To display pictures complying with the sRGB standard ..	52		

Precautions with regard to safety

WARNING

If a problem occurs (such as no image) or if you notice smoke or a strange smell coming from the projector, turn off the power and disconnect the power cord from the wall outlet.

- Do not continue to use the projector in such cases, otherwise fire or electric shocks could result.
- Check that no more smoke is coming out, and then contact an Authorized Service Center for repairs.
- Do not attempt to repair the projector yourself, as this can be dangerous.

Do not install this projector in a place which is not strong enough to take the full weight of the projector.

- If the installation location is not strong enough, it may fall down or tip over, and severe injury or damage could result.
- Installation work (such as ceiling suspension) should only be carried out by a qualified technician.
- If installation is not carried out correctly, there is the danger that injury or electric shocks may occur.

If foreign objects or water get inside the projector, or if the projector is dropped or the cabinet is broken, turn off the power and disconnect the power cord from the wall outlet.

- Continued use of the projector in this condition may result in fire or electric shocks.
- Contact an Authorized Service Center for repairs.

Do not cover the air filter, the air inlet and exhaust vents.

- Doing so may cause the projector to overheat, which can cause fire or damage to the projector.

Do not overload the wall outlet.

- If the power supply is overloaded (for example, by using too many adapters), overheating may occur and fire may result.

Do not remove the cover or modify it in any way.

- High voltages which can cause fire or electric shocks are present inside the projector.
- For any inspection, adjustment and repair work, please contact an Authorized Service Center.

Clean the power cord plug regularly to prevent it from becoming covered in dust.

- If dust builds up on the power cord plug, the resulting humidity can damage the insulation, which could result in fire. Pull the power cord out from the wall outlet and wipe it with a dry cloth.
- If not using the projector for an extended period of time, pull the power cord plug out from the wall outlet.

Do not do anything that might damage the power cord or the power cord plug.

- Do not damage the power cord, make any modifications to it, place it near any hot objects, bend it excessively, twist it, pull it, place heavy objects on top of it or wrap it into a bundle.
- If the power cord is used while damaged, electric Shocks, short-circuits or fire may result.
- Ask an Authorized Service Center to carry out any repairs to the power cord that might be necessary.

Do not handle the power cord plug with wet hands.

- Failure to observe this may result in electric shocks.

Insert the power cord plug securely into the wall outlet.

- If the plug is not inserted correctly, electric shocks or overheating could result.
- Do not use plugs which are damaged or wall outlets which are coming loose from the wall.

Do not place the projector on top of surfaces which are unstable.

- If the projector is placed on top of a surface which is sloped or unstable, it may fall down or tip over, and injury or damage could result.

Do not place the projector into water or let it become wet.

- Failure to observe this may result in fire or electric shocks.

Do not disassemble the lamp unit.

- If the lamp section breaks, it may cause injury.

Precautions with regard to safety

Do not place liquid containers on top of the projector.

- If water spills onto the projector or gets inside it, fire or electric shocks could result.
- If any water gets inside the projector, contact an Authorized Service Center.

Do not insert any foreign objects into the projector.

- Do not insert any metal objects or flammable objects into the projector or drop them onto the projector, as doing so can result in fire or electric shocks.

After removing the battery from remote control unit, keep it away from the reach of children.

- The battery can cause death by suffocation if swallowed.
- If the battery is swallowed, seek medical advice immediately.

Do not allow the + and - terminals of the battery to come into contact with metallic objects such as necklaces or hairpins.

- Failure to observe this may cause the battery to leak, overheat, explode or catch fire.
- Store the battery in a plastic bag and keep it away from metallic objects.

Insulate the battery using tape or similar before disposal.

- If the battery comes into contact with metallic objects or other batteries, it may catch fire or explode.

Replacement of the lamp unit should only be carried out by a qualified technician.

- The lamp unit has high internal pressure. If improperly handled, failure might result.
- The lamp unit can easily become damaged if struck against hard objects or dropped, and injury or malfunctions may result.

Caution

Do not set up the projector in humid or dusty places or in places where the projector may come into contact with smoke or steam.

- Using the projector under such conditions may result in fire or electric shocks.

When disconnecting the power cord, hold the plug, not the cord.

- If the power cord itself is pulled, the cord will become damaged, and fire, short-circuits or serious electric shocks may result.

Always disconnect all cables before moving the projector.

- Moving the projector with cables still attached can damage the cables, which could cause fire or electric shocks to occur.

Do not place any heavy objects on top of the projector.

- Failure to observe this may cause the projector to become unbalanced and fall, which could result in damage or injury.

Do not short-circuit, heat or disassemble the battery or place it into water or fire.

- Failure to observe this may cause the battery to overheat, leak, explode or catch fire, and burns or other injury may result.

When inserting the battery, make sure the polarities (+ and -) are correct.

- If the battery is inserted incorrectly, it may explode or leak, and fire, injury or contamination of the battery compartment and surrounding area may result.

Use only the Specified battery.

- If an incorrect battery is used, it may explode or leak, and fire, injury or contamination of the battery compartment and surrounding area may result close to this port, otherwise burns or damage could result.

Precautions on handling

■ Precautions on transport

The projection lens is susceptible to vibrations and impacts. Be sure to always remove the lens during transport.

■ Precautions on installation

Be sure to observe the following precautions when installing the product.

- **Avoid installing the product in a place exposed to vibrations or impacts.**

If the projector is installed in a place where vibrations are transmitted from a source of driving power and others or mounted in a car or a vessel, vibrations or impacts may be transmitted to the product to damage the internal parts, causing failure. Install the product in a place free from vibrations and impacts.

- **Do not install the projector near high-voltage power lines or power sources.**

The product may be exposed to interference if it is installed in the vicinity of high-voltage electrical power lines or power sources.

- **Do not place the projector on a vinyl sheet or carpet.**

If a vinyl sheet is sucked up and blocks the air filter intake port, the internal temperature of the projector may increase, which triggers the protection circuit, turning off the power.

- **Be sure to ask a specialized technician when to install the product to a ceiling.**

If the product is to be installed hanging from the ceiling, purchase an optional hanging attachment (for high ceiling: Model No. ET-PKD75) (for low ceiling: Model No. ET-PKD75S) and call a specialized technician for installation.

- **Do not place the projector over 2 700 m (8881.5') above sea level. When using it over 1 400 m (4605.3') above sea level, set the "Fan Control", described on page 73, to "HIGHLAND".**

Otherwise the life of the product may be shortened.

■ Precautions on use

- **To view clear images:**

- The audience cannot enjoy high-contrast and clear images if outside light or the illumination interferes the screen surface. Draw window curtains or blinds, turn off the lightings near the screen or take other proper measures.
- In rare cases, wafture can occur on the screen affected by the warm air from the exhaust port depending on the environment.

- **Do not touch the surface of the projection lens with bare hand.**

If fingerprints or stains are left on the projection lens surface, they are magnified and projected on the screen. Keep your hands away from the lens. Cover the lens with the supplied lens cap when the projector is not used.

- **Screen**

If the screen has stains, flaws or discoloration, clear images cannot be viewed. When handling the screen, be careful not to apply volatile substances or leave flaws or stains on the screen.

- **Lamp**

A mercury lamp with high internal pressure is used for the light source of this product. A high-pressure mercury lamp has the following characteristics:

- It may burst with a loud sound or end its life cycle by not illuminating because of given impacts, flaws, or deterioration due to used hours.
- The life cycle of a mercury lamp varies according to the individual difference or conditions of use. In particular, turning the power on and off frequently and/or repeatedly will greatly affect the life cycle.
- In rare cases, it may burst shortly after the first lighting.
- The possibility of burst increases when the lamp is used beyond the replacement time.

■ Disposal

To discard the product, call the dealer or a specialized dealer.

Cleaning and maintenance

Be sure to remove the power cord plug from the receptacle before cleaning.

Use soft and dry cloth to clean the cabinet

If stains are hard to remove, use a cloth dampened with a kitchen detergent solution (neutral) and squeezed to wipe the cabinet and finish with a dry cloth. If a chemical wipe is used, follow its instructions.

Do not clean the lens surface with fuzzy or dusty cloth.

If dust adheres to the lens, it will be magnified and projected on the screen. Use a soft and clean cloth to wipe off dust.

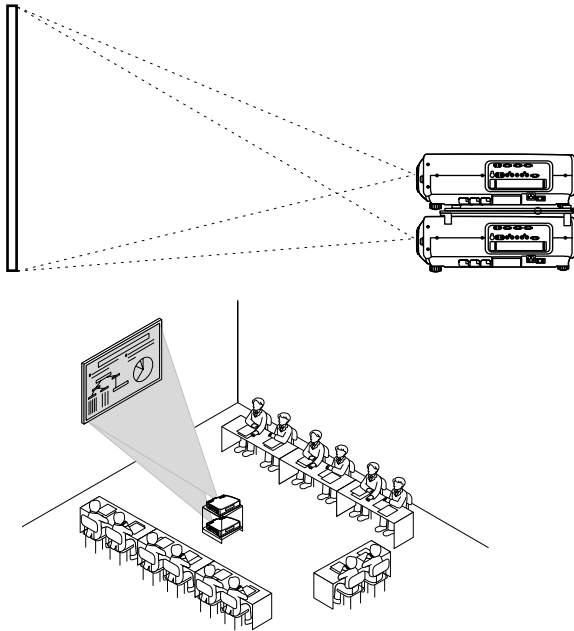
Examples of system expansion

The projector is provided with a number of terminals and optional accessories to enable various system expansions. Both input and output are provided to all terminals on the main unit.

The following are some examples of system expansion:

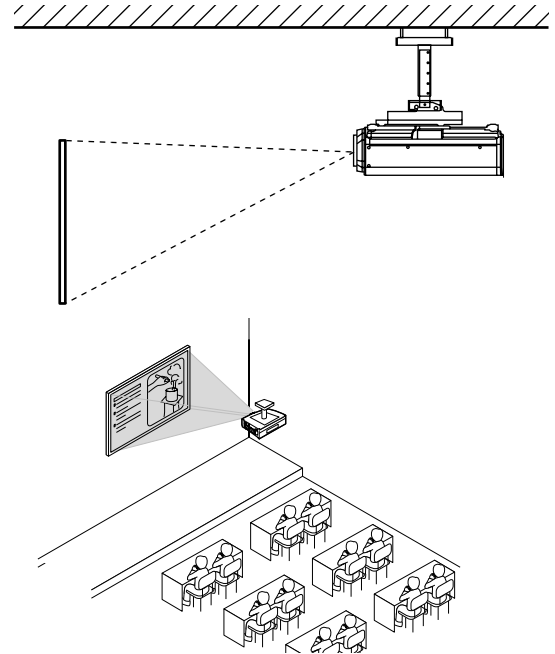
System 1

Stacking two projectors with the stacking brackets can double the picture brightness.



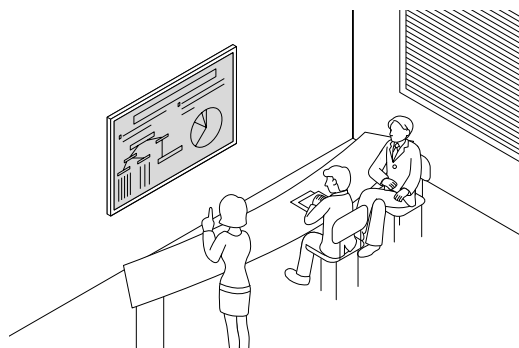
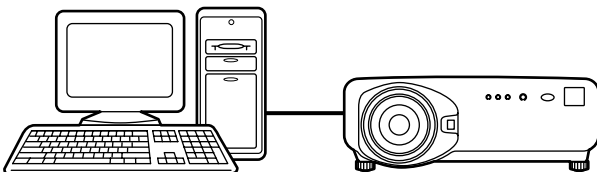
System 2

The optional high- or low-ceiling mount bracket flexibly fits the projector in individual site conditions.



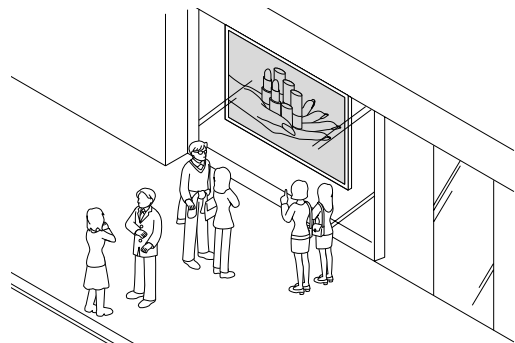
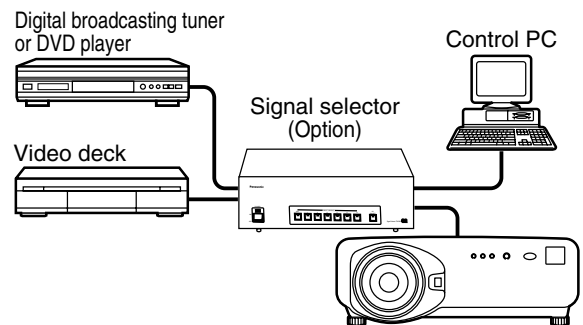
System 3

PC equipped with a DVI-D input module (an optional item) can be attached to the projector for computer image viewing (Realization of high-resolution picture.)



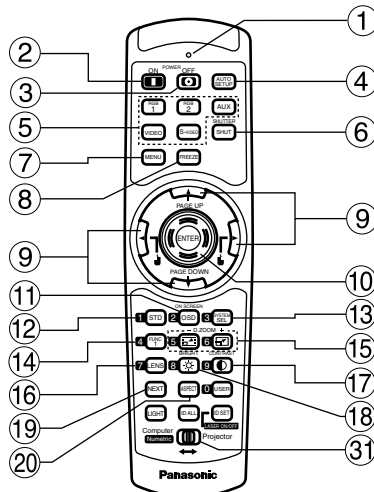
System 4

Connection of a signal selector enables to feed a variety of video sources to the projector.



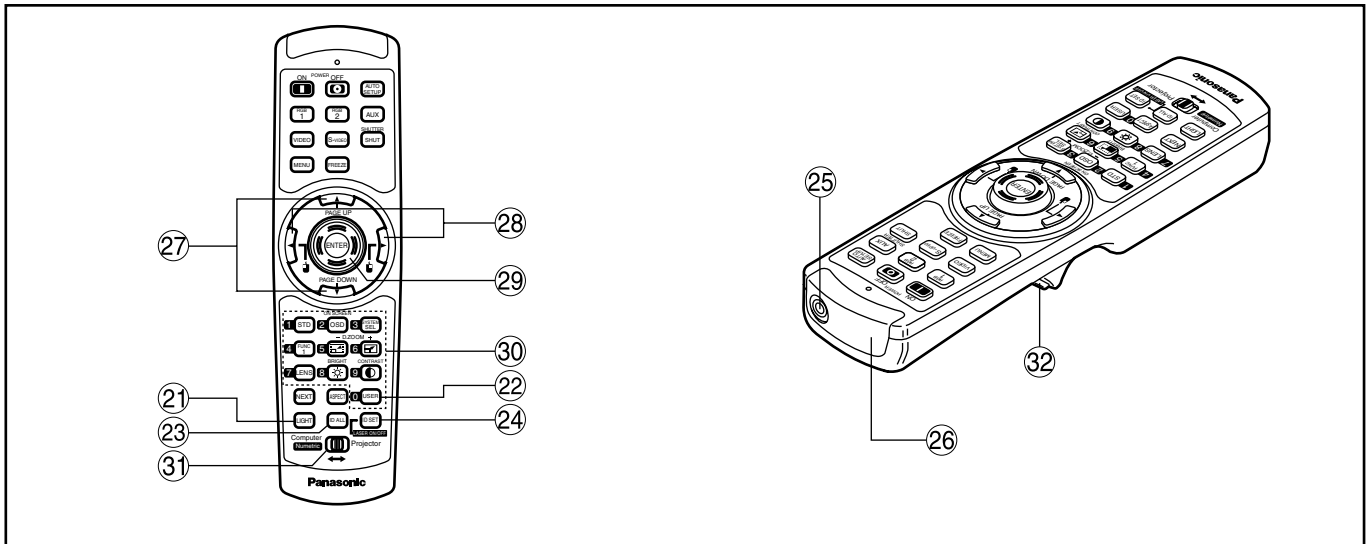
Name and function of parts

Remote control



< When the operation mode selector ⑳ is set to Projector >

- ① **Remote control operation indicator lamp**
The lamp flashes when any remote control button is pressed.
- ② **POWER ON button (page 35)**
Turns on the power if the MAIN POWER has been put to the "I" position.
- ③ **POWER OFF button (page 36)**
Turns off the power if the MAIN POWER has been put to the "I" position.
- ④ **AUTO SET UP button (page 39)**
Pressing this button while projecting an image automatically corrects the picture positioning on the screen. While the auto setup feature is active, a message "PROGRESS..." appears on the screen.
- ⑤ **Input selector (RGB1, RGB2, AUX, VIDEO, S-VIDEO) button**
Use to toggle through the RGB1, RGB2, AUX (module input), VIDEO and S-VIDEO input ports.
- ⑥ **SHUTTER button (page 44)**
Press this button to black out the image temporarily.
- ⑦ **MENU button (page 46)**
Displays and clears the Main Menu. It can also return to the previous screen when the menu is displayed.
- ⑧ **FREEZE button (page 44)**
Press this button to freeze the image temporarily.
- ⑨ **Arrow ▲ ▼ ◀ ▶ buttons (page 46)**
Use these buttons to select an item on the menu screen, change setting and adjust the level. Also use them to enter the "SECURITY" password.
- ⑩ **ENTER button (page 46)**
Press this button to enter your menu selection or to run function.
- ⑪ **ON SCREEN button**
This button turns on and off the on-screen indication function.
- ⑫ **Standard (STD) button (page 46)**
Press this button to restore the default factory setting.
- ⑬ **SYSTEM SELECTOR button (page 65)**
System switching can be done.
- ⑭ **Function 1 (FUNC1) button (page 75)**
This button can control the functions set in "FUNC1" of the "Option" screen from Main Menu.
- ⑮ **Digital Zoom (- D.ZOOM +) buttons (page 44)**
Any portion of the picture can be zoomed in.
- ⑯ **LENS button (page 37)**
Switches to the mode of projection lens adjustment.
- ⑰ **CONTRAST button (page 48)**
Switches to the mode of image contrast adjustment.
- ⑱ **BRIGHT button (page 48)**
Switches to the mode of black level adjustment.
- ⑲ **NEXT button**
When multiple signal selectors are connected to the main unit in the system, this button specifies the second signal selector or beyond. With the ID set button pressed, every press on the button will change the value in the ten's place.
- ⑳ **ASPECT button**
Switches the image aspect ratio to 4:3, 16:9.



- ②① **LIGHT button (③② Click button)**
When this button is pressed, the remote control button light is turned on. The light goes off about 30 seconds after you stop remote control operation.
- ②② **USER button**
Displays the sub-memory screen of the signal registration.
- ②③ **ID ALL button (pages 16, 66)**
When two or more main units are used in the system, this button switches to the mode to control them simultaneously with a single remote control.
- ②④ **ID SET button (pages 16, 66)**
When two or more main units are used in the system, this button specifies the ID of the remote control.
- ②⑤ **Remote control wired terminal (page 17)**
To use the wired output terminal, connect the remote control and the main unit with the supplied cable.
- ②⑥ **Remote control transmitter window**
Operate the remote control aiming at the remote control receiver window on the main unit.

<When the operation mode selector ③① is set to Computer>

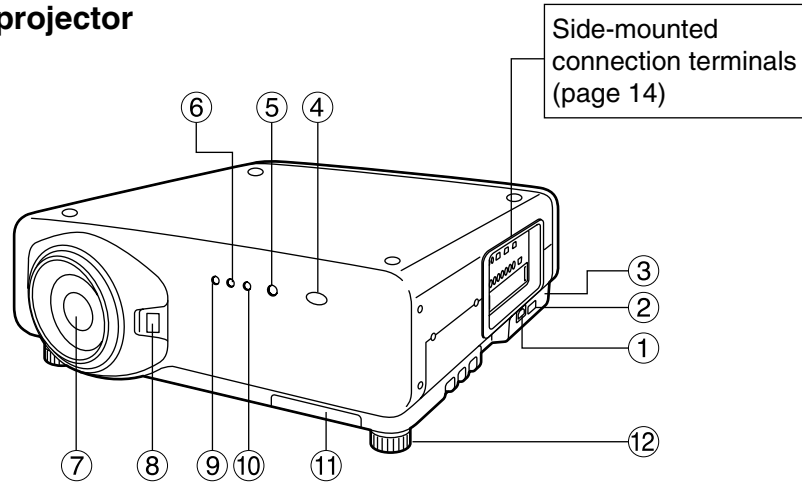
- ②⑦ **PAGE UP/PAGE DOWN buttons**
These buttons correspond to the PAGE UP/PAGE DOWN buttons on PC's keyboard.
- ②⑧ **⏪ ⏩ (◀ ▶) buttons**
These buttons correspond to the left and right mouse buttons.
- ②⑨ **ENTER button**
Moves the mouse cursor.
- ③① **Numeric (0-9) buttons**
In a system that uses two or more units of this projector or in a system that connects to an optional signal selector, these buttons specify a particular projector unit or the input of the signal selector. They are also used to input the ID number when selecting the ID and to enter the password when the password for service personnel needs to be entered.
- ③① **Operation mode selector (Computer/Numeric, Projector) switch (page 17)**
Put this selector to the right position to control the projector and to the left position to control the PC or use numeric buttons.
- ③② **Click button (page 17)**
This button corresponds to the left mouse button when the operation mode is switched to the Computer position.

Note

- To use the remote control as a mouse, please purchase an optional wireless mouse receiver (model No.: ET-RMRC2).
- The AUX button to switch the input is disabled when an optional input module is not connected.

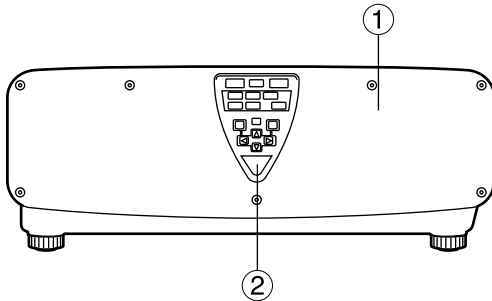
Name and function of parts

Front and side of the projector

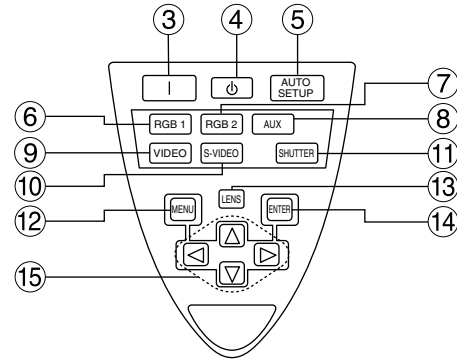


- ① **AC IN terminal (page 35)**
Connect the supplied line power cord into this receptacle.
Do not connect any other cable to this socket.
- ② **MAIN POWER switch (page 35)**
Use this switch to turn on "I" and off "O" the commercial line power applied to the projector.
- ③ **Burglar lock**
Attach a commercial burglar prevention cable (e.g., from Kensington) to this lock port. It is compatible with the Microsaver Security System from Kensington. Contact details for this company are given below.
Kensington Technology Group ACCO Brands Inc.
2885 Campus Drive San Mateo, CA94403
Tel (650)572-2700
Fax (650)572-9675
<http://www.kensington.com/>
<http://www.gravis.com/>
- ④ **Remote control receiver window (front) (page 15)**
This window receives the signal beam emitted from the remote control.
- ⑤ **Power indicator lamp (page 35)**
The lamp lights in red when the MAIN POWER switch is turned to "I" (on). It turns to green when the POWER ON button of the remote control or the main unit is pressed.
- ⑥ **LAMP1 monitor (page 98)**
This lamp lights up when the time to replace lamp unit 1 is reached. It also blinks if something unusual occurs in the lamp circuit.
- ⑦ **Projection lens (optional)**
Lens for projecting images on the screen.
- ⑧ **Projection lens cover lock button**
This button toggles between lock and unlock of the detachable cover for the projection lens (optional).
- ⑨ **Temperature monitor (TEMP) (page 98)**
Lighting or blinking of this lamp indicates an abnormal condition of the internal temperature.
- ⑩ **LAMP2 monitor (page 98)**
This lamp lights up when the time to replace lamp unit 2 is reached. It also blinks if something unusual occurs in the lamp circuit.
- ⑪ **Air filter (page 99)**
- ⑫ **Level-adjusting feet (page 18)**
Use these feet to adjust the tilt of the projector. (Leveling feet are provided at the front and rear, right and left.)

Rear view of the main unit

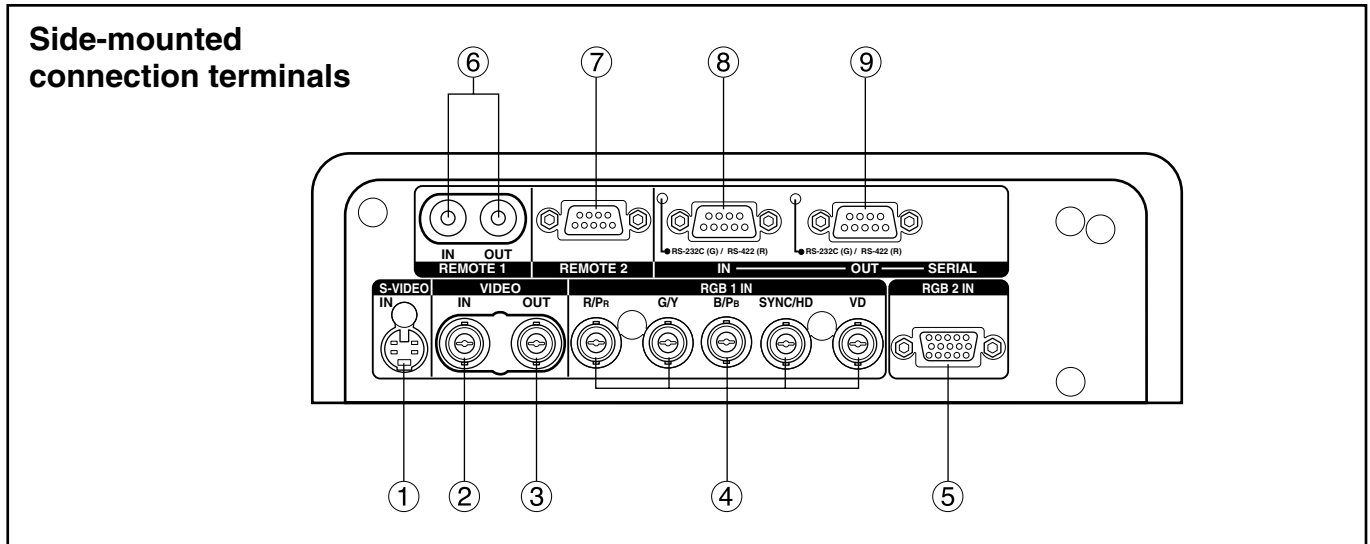


Controls on rear panel



- ① **Lamp unit cover**
The lamp unit is housed.
- ② **Remote control receiver window (rear) (page 15)**
This also receives the signal beam coming from the remote control.
- ③ **POWER ON (I) button (page 35)**
Turns on the power.
- ④ **POWER OFF (⏻) button (page 36)**
Turns off the power.
- ⑤ **AUTO SETUP button (page 39)**
Pressing this button while projecting an image automatically corrects the picture positioning on the screen. While the auto setup feature is active, a message "EXECUTING..." appears on the screen.
- ⑥ **RGB1 button (page 35)**
Switches to RGB1 input.
- ⑦ **RGB2 button (page 35)**
Switches to RGB2 input.
- ⑧ **AUX button (page 35)**
Switches to optional input module input.
- ⑨ **VIDEO button (page 35)**
Switches to video input.
- ⑩ **S-VIDEO button (page 35)**
Switches to S-VIDEO input.
- ⑪ **SHUTTER button (page 44)**
Press this button to black out the image temporarily.
- ⑫ **MENU button (pages 46 and 82–83)**
Displays and clears the Main Menu. It can also return to the previous screen when the menu is displayed.
Menus can be displayed by holding down the MENU button for at least 3 seconds while the on-screen indication function is OFF.
- ⑬ **LENS button (page 37)**
Switches to the adjustment mode for lens focus, zoom and shift (position).
- ⑭ **ENTER button (page 46)**
Press this button to enter your menu selection or to run function.
- ⑮ **Arrow (◀ ▶ ▲ ▼) buttons (page 46)**
Use to select an item on the menu screen, change setting and adjust the level.
Also use them to enter the "SECURITY" password.

Name and function of parts



① **S-VIDEO IN terminal (pages 24 and 25)**

An input terminal for S-video signals (MIN4-pin DIN).

This terminal complies with S1 signals and automatically toggles between 16:9 and 4:3 according to the size of input signals.

② **VIDEO IN terminal (page 25)**

An input terminal for video signals. (BNC)

③ **VIDEO OUT terminal (page 25)**

An output terminal (active through) for video signals. (BNC)

④ **RGB (YPbPr) 1 input terminal (pages 26, 27)**

A terminal to input RGB or YPbPr signals (BNC).

⑤ **RGB (YPbPr) 2 input terminal (page 26)**

A terminal to input RGB or YPbPr signals (D-SUB 15-pin female).

⑥ **REMOTE1 IN/OUT terminal (page 17)**

When two or more main units are used in the system, they can be connected and controlled with a wired remote control cable (M3 jack).

⑦ **REMOTE2 terminal (page 78)**

The user can remotely control the main unit by using an external control circuit to this terminal (D-SUB 9-pin female).

⑧ **SERIAL IN terminal (pages 25–27, 69, 76, 77)**

This terminal is an RS-232C/RS-422 compliant input terminal (switching necessary) to connect a PC and to externally control the main unit (D-SUB 9-pin female).

⑨ **SERIAL OUT terminal (pages 26, 27, 69, 76, 77)**

This terminal is an RS-232C/RS-422 compliant output terminal (switching necessary) to supply signals given to the serial input terminal (D-SUB 9-pin male).

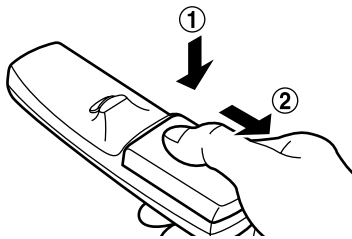
Using the remote control unit

■ Loading dry cells

When loading supplied AA dry cells into the battery compartment of the remote control, make sure that their polarities are correct.

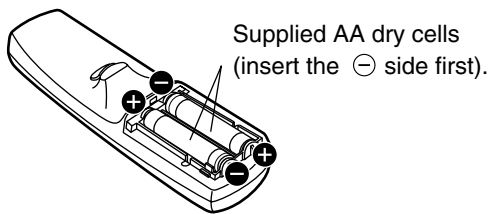
1. Open battery compartment lid.

Open the lid in the order of steps ① and ②.



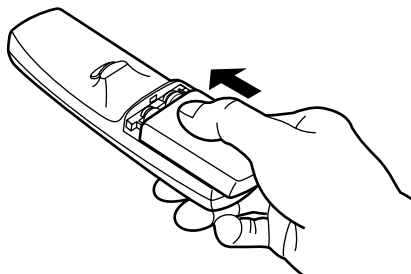
2. Insert the dry cells.

Into battery compartment, with their polarities orientated as indicated (+, -) in the compartment.



3. Close the battery compartment lid.

Replace the battery compartment lid over the compartment and slide until it clicks.



- Attention**
- Do not drop the remote control unit.
 - Do not expose remote control unit to any liquid.
 - Do not use NiCd batteries.

■ Effective range of remote control operation

The remote control should normally be aimed at either the front or rear remote control receiver window on the projector (figure 1). Otherwise, it may also be aimed at the screen, which will reflect commands back to the projector's front receiver window as illustrated in figure 2.

The effective control range is approx. 7 metres from the beam receiver on the front or rear.

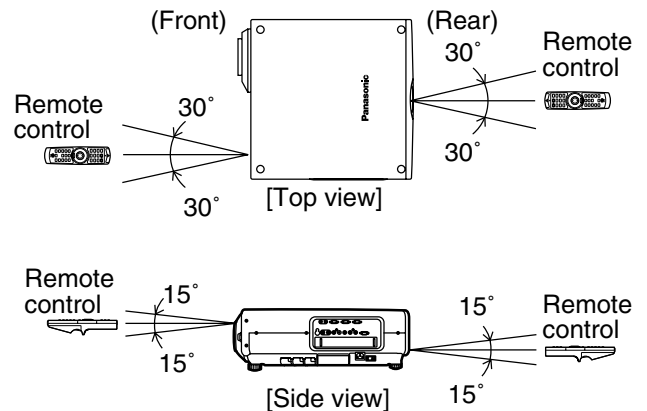


Figure 1

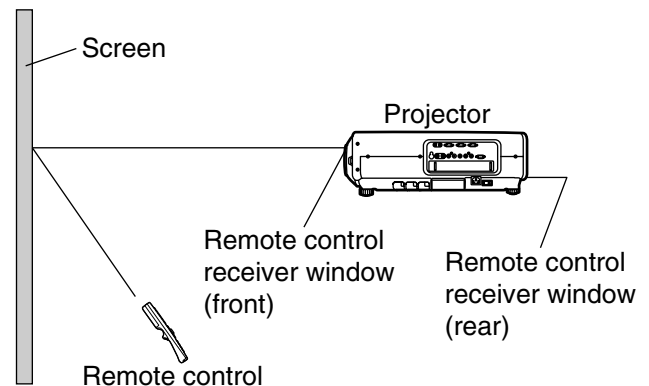


Figure 2

- Note**
- When the remote control is aimed at the screen, the effective control range may be reduced due to the optical loss by screen reflection.
 - The remote control may not function properly if an object is in the light path.
 - The remote control receiver may not function properly in intense ambient light such as fluorescent lamps. Carefully site the projector so its remote control receiver windows will not be directly exposed to intense light.

■ Setting projector ID number to remote control

Every projector has its ID number and the ID number of the controlling projector must be set to the remote control in advance so that the user can operate the remote control. **The ID number of the projector is set to “ALL” on shipping, and use the ID ALL button of the remote control when using only a single projector.**

Procedure of ID setting

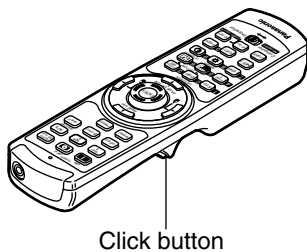
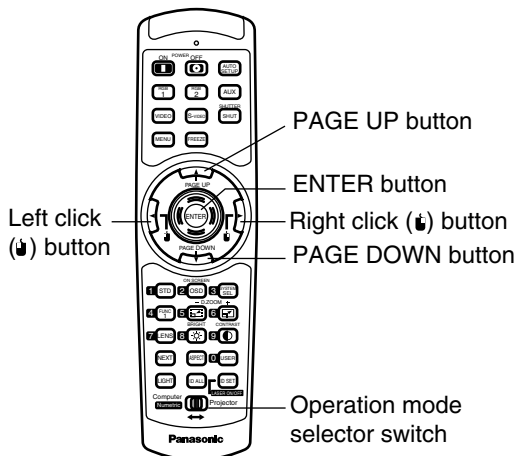
- ① **Change the position of the operation mode selector switch to “Computer”.**
- ② **Press the ID SET button, and within five seconds, use the NEXT button to set the number of the ten’s digit in the ID number, which is already set in the projector, and then use one of the numeric (0-9) buttons to set the number of the units digit.**
- ③ **Change the position of the operation mode selector switch to “Projector”.**

However, if the ID ALL button is pressed, the projector can be controlled regardless of the ID number of the projector (simultaneous control mode).

Attention

- Do not press the ID SET button accidentally or carelessly because the ID number on the remote control can be set even when no projector is around.
If the ID SET button is pressed, the ID number goes back to the one set before pressing the ID SET button unless the NEXT button and a numeric button are pressed within five seconds after the ID SET button is pressed.
- Your specified ID number is stored in the remote control unit unless another one is specified later. However, the stored ID will be erased if the batteries of the remote control are left exhausted. When the dry cells are replaced, set the same ID number again.

■ Using the remote control as a PC mouse



Operation mode selector switch

Put the knob to the Computer position.

• ENTER button

Pressing the front, rear, left and right edges of the button moves the mouse cursor up, down, left and right.

• Right click (R) button

This button can be used as the right mouse button.

• Left click (L) button

This button can be used as the left mouse button.

• PAGE UP button

This button can be used as the Page Up button on the PC keyboard.

• PAGE DOWN button

This button can be used as the Page Down button on the PC keyboard.

• Click button

This button can be used as the left mouse button.

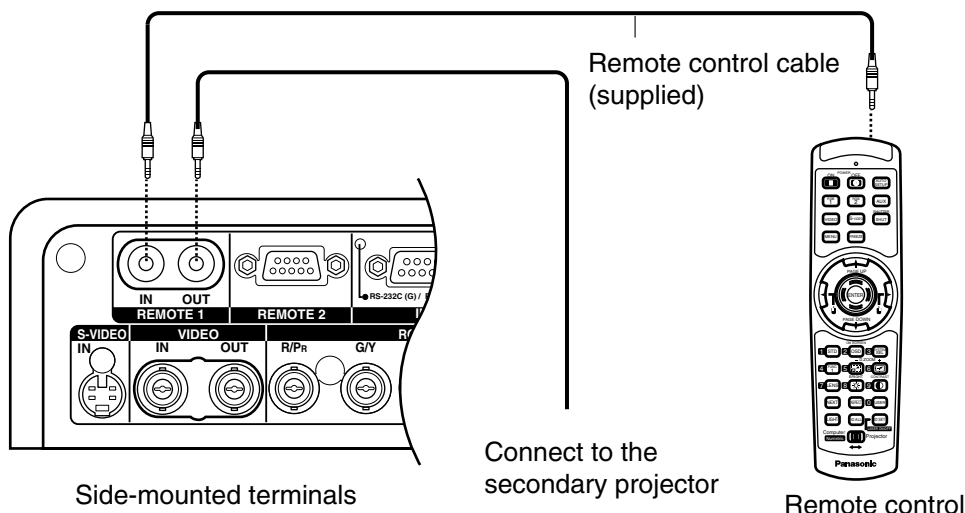
Note

- To use the remote control as a mouse, please purchase an optional wireless mouse receiver (model No.: ET-RMRC2).

■ Using a wired remote control

When multiple main units are connected in the system, connect the units with the supplied remote control cable to simultaneously control the multiple main units with a single remote control unit through the

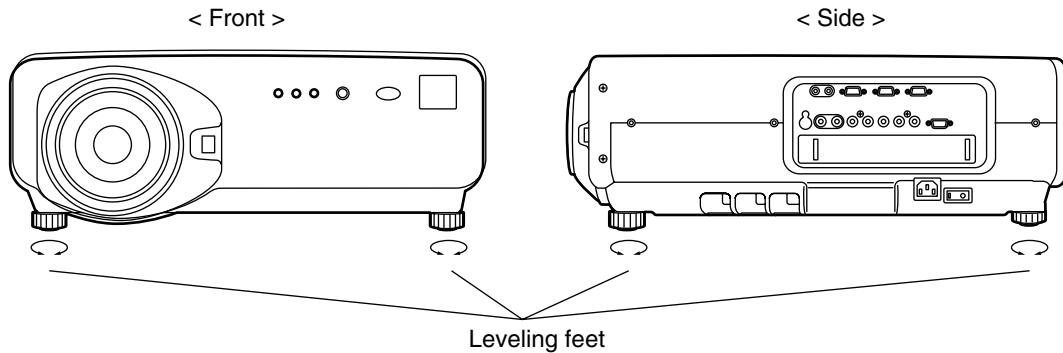
REMOTE1 IN/OUT terminal. It is effective to use the wired remote control in the environment in which an obstacle stands in the light path or where devices are susceptible to outside light.



Installation

■ Adjusting the leveling feet

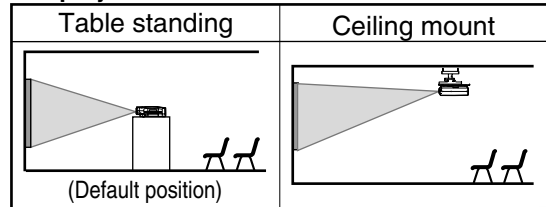
The four leveling feet mounted at the bottom of the projector are level-adjustable (0 mm–33 mm) which can be used when the floor surface is not horizontal.



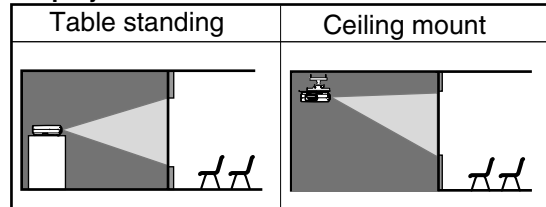
■ Projection scheme

This projector can use any of the four projection schemes shown at right. Select the scheme that best suits your particular installation location. Select the most suitable scheme to the situation of your location. Use the OPTION menu on the menu screen to choose the desired projection scheme. (Refer to page 67)

Front projection

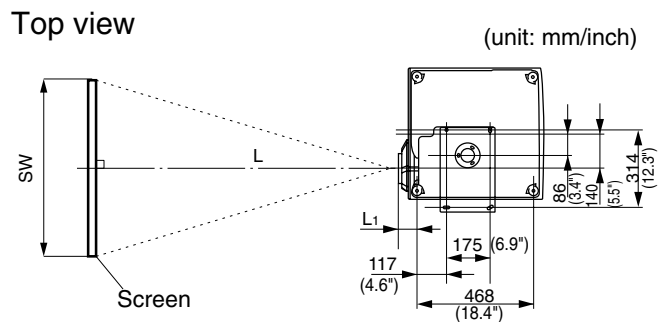
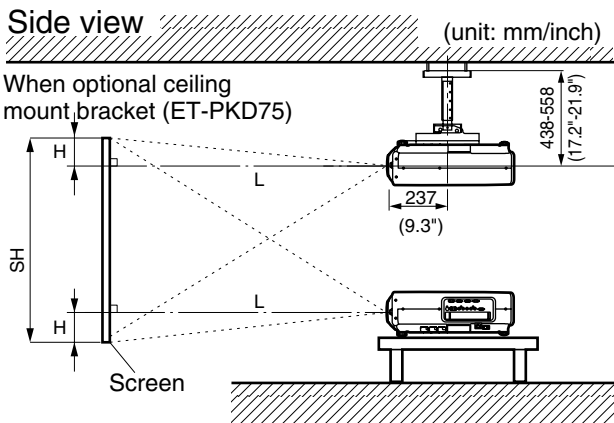


Rear projection



■ Installation geometry

When planning the projector and screen geometry, refer to the figures below and the information on the next page for reference. After the projector is roughly positioned, picture size and vertical picture positioning can be finely adjusted with the powered zoom lens and lens shifting mechanism.



- L : Projection distance
- SH : Height of the image
- SW : Image width
- H : Vertical distance between the lens center level and the bottom edge of the projected image

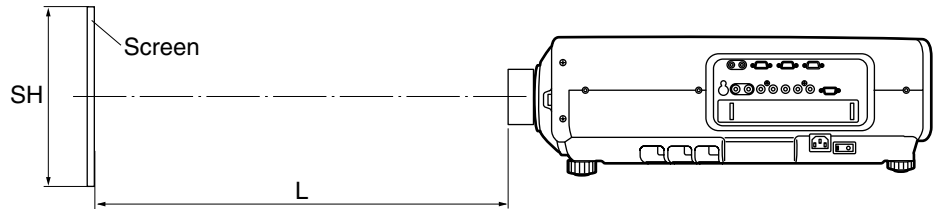
※ For PT-D7700U: H = 0 to SH
For PT-DW7000U: H = -0.18 x SH to 1.18 x SH

Lens	Dimension of L1 (Approx.)
ET-D75LE1	102 (4")
ET-D75LE2	86.5 (3.4")
ET-D75LE3	90 (3.5")
ET-D75LE4	113.9 (4.5")
ET-D75LE5	190 (7.5")
ET-D75LE8	242 (9.5")

■ Projection distances by the type of projection lenses (optional)

Every type of optional projection lenses has a different projection distance to achieve the same screen size. Select and purchase a projection lens most suitable to the size of your location referring to the following tables and the projection distances by the type of projection lenses on the next page.

L : Projection distance
SH : Effective screen height



Projection distances by the type of projection lenses (for PT-D7700U)

• For the screen aspect ratio of 4:3

Units: m (feet/inches)

Screen size (inch)	Screen dimensions		Projection distance (L)											Fixed-focus lens
			Zoom lens											
	Effective height (SH)	Effective width (SW)	ET-D75LE1 (1.5-2.0 :1)		ET-D75LE2 (2.0-3.0 :1)		ET-D75LE3 (3.0-5.0 :1)		ET-D75LE4 (5.0-8.0 :1)		ET-D75LE8 (8.0-15.0 :1)		ET-D75LE5 (0.8 : 1)	
			Minimum	Maximum	Minimum	Maximum	Minimum	Maximum	Minimum	Maximum	Minimum	Maximum		
70	1.066 (3'6")	1.422 (4'8")	2.07 (6'9")	2.77 (9'1")	2.80 (9'2")	4.21 (13'9")	4.23 (13'10")	7.09 (23'3")	7.10 (23'3")	11.37 (37'3")	11.09 (36'4")	21.14 (69'4")	1.02 (3'4")	
80	1.219 (4'0")	1.625 (5'4")	2.38 (7'9")	3.18 (10'5")	3.21 (10'6")	4.83 (15'10")	4.84 (15'10")	8.13 (26'8")	8.13 (26'8")	13.01 (42'8")	12.73 (41'9")	24.22 (79'5")	1.18 (3'10")	
90	1.371 (4'6")	1.828 (6'0")	2.68 (8'9")	3.59 (11'9")	3.62 (11'10")	5.45 (17'10")	5.46 (17'10")	9.16 (30')	9.16 (30')	14.65 (48')	14.37 (47'1")	27.29 (89'6")	1.34 (4'4")	
100	1.524 (5'0")	2.032 (6'8")	2.99 (9'9")	4.00 (13'1")	4.04 (13'3")	6.07 (19'10")	6.08 (19'11")	10.19 (33'5")	10.19 (33'5")	16.29 (53'5")	16.01 (52'6")	30.36 (99'7")	1.50 (4'11")	
120	1.828 (6'0")	2.438 (8'0")	3.60 (11'9")	4.82 (15'9")	4.86 (15'11")	7.30 (23'11")	7.31 (23'11")	12.25 (40'2")	12.26 (40'2")	19.57 (64'2")	19.29 (63'3")	36.50 (119'7")	1.81 (5'11")	
150	2.286 (7'6")	3.048 (10'0")	4.53 (14'10")	6.05 (19'10")	6.09 (19'11")	9.15 (30')	9.16 (30')	15.34 (50'3")	15.35 (50'4")	24.49 (80'4")	24.21 (79'5")	45.72 (150')	2.29 (7'6")	
200	3.048 (10'0")	4.064 (13'4")	6.06 (19'10")	8.10 (26'6")	8.15 (26'8")	12.24 (40'1")	12.25 (40'2")	20.50 (67'3")	20.50 (67'3")	32.69 (107'3")	32.40 (106'3")	61.08 (200'4")	3.08 (10'1")	
250	3.810 (12'6")	5.080 (16'8")	7.59 (24'10")	10.15 (33'3")	10.21 (33'5")	15.33 (50'3")	15.34 (50'3")	25.65 (84'1")	25.66 (84'2")	40.88 (134'1")	40.60 (133'2")	76.44 (250'9")	3.87 (12'8")	
300	4.572 (15'0")	6.096 (20'0")	9.13 (29'11")	12.19 (39'11")	12.27 (40'3")	18.41 (60'4")	18.42 (60'5")	30.81 (101')	30.81 (101')	49.08 (161')	48.80 (160'1")	91.79 (301'1")	4.66 (15'3")	
350	5.334 (17'6")	7.112 (23'4")	10.66 (34'11")	14.24 (46'8")	14.32 (46'11")	21.50 (70'6")	21.51 (70'6")	35.96 (117'11")	35.97 (118')	57.28 (187'11")	57.00 (187')	107.15 (351'6")	-----	
400	6.096 (20'0")	8.129 (26'8")	12.19 (39'11")	16.29 (53'5")	16.38 (53'8")	24.58 (80'7")	24.60 (80'8")	41.12 (134'10")	41.12 (134'10")	65.47 (214'9")	65.19 (213'10")	122.51 (401'11")	-----	
500	7.620 (25'0")	10.160 (33'4")	15.26 (50')	20.39 (66'10")	20.50 (67'3")	30.76 (100'11")	30.77 (100'11")	51.42 (168'8")	51.43 (168'8")	81.87 (268'7")	81.59 (267'8")	153.23 (502'8")	-----	
600	9.144 (30'0")	12.192 (40'0")	18.33 (60'1")	24.49 (80'4")	24.61 (80'8")	36.93 (121'1")	36.94 (121'1")	61.73 (202'6")	61.74 (202'6")	98.26 (322'4")	97.98 (321'5")	183.95 (603'6")	-----	

Note

- The projection distances listed here involve an error of ±5%.
- Keystone distortions are corrected in the way the screen size becomes smaller than the original one.

(Continued on next page)

Installation

■ Projection distances by the type of projection lenses (optional) (continuing)

Projection distances by the type of projection lenses (for PT-D7000U)

• For the screen aspect ratio of 16:9

Units: m (feet/inches)

Screen size (inch)	Screen dimensions		Projection distance (L)										
			Zoom lens										Fixed-focus lens
	Effective height (SH)	Effective width (SW)	ET-D75LE1 (1.5-2.0 :1)		ET-D75LE2 (2.0-3.0 :1)		ET-D75LE3 (3.0-5.0 :1)		ET-D75LE4 (5.0-8.0 :1)		ET-D75LE8 (8.0-15.0 :1)		ET-D75LE5 (0.8 : 1)
			Minimum	Maximum	Minimum	Maximum	Minimum	Maximum	Minimum	Maximum	Minimum	Maximum	
70	0.871 (2'10")	1.549 (5'1")	2.26 (7'4")	3.03 (9'11")	3.06 (10')	4.60 (15'1")	4.61 (15'1")	7.74 (25'4")	7.75 (25'5")	12.40 (40'8")	12.12 (39'9")	23.06 (75'7")	1.12 (3'8")
80	0.996 (3'3")	1.771 (5'10")	2.60 (8'6")	3.47 (11'4")	3.51 (11'6")	5.27 (17'3")	5.28 (17'3")	8.86 (29')	8.87 (29'1")	14.19 (46'6")	13.90 (45'7")	26.41 (86'7")	1.29 (4'2")
90	1.120 (3'8")	1.992 (6'7")	2.93 (9'7")	3.92 (12'10")	3.96 (12'11")	5.95 (19'6")	5.96 (19'6")	9.99 (32'9")	9.99 (32'9")	15.97 (52'4")	15.69 (51'5")	29.76 (97'7")	1.47 (4'9")
100	1.245 (4'1")	2.214 (7'3")	3.27 (10'8")	4.36 (14'3")	4.40 (14'5")	6.62 (21'8")	6.63 (21'9")	11.11 (36'5")	11.11 (36'5")	17.76 (58'3")	17.47 (57'3")	33.10 (108'7")	1.64 (5'4")
120	1.494 (4'11")	2.657 (8'9")	3.93 (12'10")	5.26 (17'3")	5.30 (17'4")	7.96 (26'1")	7.97 (26'1")	13.35 (43'9")	13.36 (43'9")	21.33 (69'11")	21.05 (69')	39.79 (130'6")	1.98 (6'5")
150	1.868 (6'2")	3.321 (10'11")	4.94 (16'2")	6.60 (21'7")	6.65 (21'9")	9.98 (32'8")	9.99 (32'9")	16.72 (54'10")	16.73 (54'10")	26.69 (87'6")	26.40 (86'7")	49.83 (163'5")	2.50 (8'2")
200	2.491 (8'2")	4.428 (14'6")	6.61 (21'8")	8.83 (28'11")	8.89 (29'2")	13.34 (43'9")	13.35 (43'9")	22.34 (73'3")	22.34 (73'3")	35.61 (116'9")	35.33 (115'10")	66.56 (218'4")	3.36 (11')
250	3.113 (10'3")	5.535 (18'2")	8.28 (27'1")	11.06 (36'3")	11.13 (36'6")	16.70 (54'9")	16.71 (54'9")	27.95 (91'8")	27.96 (91'8")	44.54 (146'1")	44.26 (145'2")	83.29 (273'3")	4.22 (13'10")
300	3.736 (12'3")	6.641 (21'7")	9.95 (32'7")	13.29 (43'7")	13.37 (43'10")	20.07 (65'10")	20.08 (65'10")	33.57 (110'1")	33.57 (110'1")	53.47 (175'5")	53.19 (174'6")	100.02 (328'1")	5.08 (16'8")
350	4.358 (14'4")	7.748 (25'5")	11.62 (38'1")	15.53 (50'11")	15.61 (51'2")	23.43 (76'10")	23.44 (76'10")	39.18 (128'6")	39.19 (128'6")	62.40 (204'8")	62.12 (203'9")	116.75 (383')	-----
400	4.981 (16'4")	8.855 (29'0")	13.29 (43'7")	17.76 (58'3")	17.85 (58'6")	26.79 (87'10")	26.80 (87'11")	44.80 (146'11")	44.80 (146'11")	71.33 (234')	71.05 (233'1")	133.49 (437'11")	-----
500	6.226 (20'5")	11.069 (36'4")	16.63 (54'6")	22.22 (70'10")	22.33 (73'3")	33.51 (109'11")	33.53 (110')	56.03 (183'9")	56.03 (183'9")	89.19 (292'7")	88.91 (291'8")	166.95 (547'8")	-----
600	7.472 (24'7")	13.282 (43'8")	19.97 (65'6")	26.69 (87'6")	26.82 (87'11")	40.24 (132')	40.25 (132')	67.26 (220'8")	67.26 (220'8")	107.04 (351'2")	106.77 (350'3")	200.41 (657'6")	-----

Note

- The projection distances listed here involve an error of $\pm 5\%$.
- Keystone distortions are corrected in the way the screen size becomes smaller than the original one.

Projection distances by the type of projection lenses (for PT-DW7000U)

• For the screen aspect ratio of 16:9

Units: m (feet/inches)

Screen size (inch)	Screen dimensions		Projection distance (L)										Fixed-focus lens
			Zoom lens										
	Effective height (SH)	Effective width (SW)	ET-D75LE1 (1.5-2.0 :1)		ET-D75LE2 (2.0-3.0 :1)		ET-D75LE3 (3.0-5.0 :1)		ET-D75LE4 (5.0-8.0 :1)		ET-D75LE8 (8.0-15.0 :1)		ET-D75LE5 (0.8 :1)
			Minimum	Maximum	Minimum	Maximum	Minimum	Maximum	Minimum	Maximum	Minimum	Maximum	
70	0.871 (2'10")	1.549 (5'1")	2.32 (7'7")	3.10 (10'2")	3.14 (10'3")	4.72 (15'5")	4.73 (15'6")	7.94 (26')	7.94 (26')	12.71 (41'8")	12.43 (40'9")	23.65 (77'7")	1.15 (3'9")
80	0.996 (3'3")	1.771 (5'10")	2.66 (8'8")	3.56 (11'8")	3.60 (11'9")	5.41 (17'8")	5.42 (17'9")	9.09 (29'9")	9.09 (29'9")	14.54 (47'8")	14.26 (46'9")	27.08 (88'10")	1.33 (4'4")
90	1.120 (3'8")	1.992 (6'7")	3.01 (9'10")	4.02 (13'2")	4.06 (13'3")	6.10 (20')	6.11 (20')	10.24 (33'7")	10.25 (33'7")	16.38 (53'8")	16.09 (52'9")	30.51 (100'1")	1.50 (4'11")
100	1.245 (4'1")	2.214 (7'3")	3.35 (10'11")	4.48 (14'8")	4.52 (14'9")	6.79 (22'3")	6.80 (22'3")	11.39 (37'4")	11.40 (37'4")	18.21 (59'8")	17.92 (58'9")	33.94 (111'4")	1.68 (5'6")
120	1.494 (4'11")	2.657 (8'9")	4.04 (13'3")	5.39 (17'8")	5.44 (17'10")	8.17 (26'9")	8.18 (26'10")	13.69 (44'10")	13.70 (44'11")	21.87 (71'9")	21.58 (70'9")	40.80 (133'10")	2.03 (6'7")
150	1.868 (6'2")	3.321 (10'11")	5.06 (16'7")	6.77 (22'2")	6.81 (22'4")	10.23 (33'6")	10.24 (33'7")	17.15 (56'3")	17.15 (56'3")	27.36 (89'9")	27.08 (88'10")	51.10 (167'7")	2.56 (8'4")
200	2.491 (8'2")	4.428 (14'6")	6.78 (22'2")	9.05 (29'8")	9.11 (29'10")	13.68 (44'10")	13.69 (44'10")	22.90 (75'1")	22.91 (75'1")	36.51 (119'9")	36.23 (118'10")	68.25 (233'11")	3.45 (11'3")
250	3.113 (10'3")	5.535 (18'2")	8.49 (27'10")	11.34 (37'2")	11.41 (37'5")	17.13 (56'2")	17.14 (56'2")	28.66 (94')	28.67 (94')	45.67 (149'10")	45.39 (148'11")	85.40 (280'2")	4.33 (14'2")
300	3.736 (12'3")	6.641 (21'7")	10.20 (33'5")	13.63 (44'8")	13.71 (44'11")	20.57 (67'5")	20.58 (67'6")	34.42 (112'11")	34.42 (112'11")	54.82 (179'10")	54.54 (178'11")	102.55 (336'5")	5.21 (17'1")
350	4.358 (14'4")	7.748 (25'5")	11.91 (39')	15.92 (52'2")	16.01 (52'6")	24.02 (78'9")	24.03 (78'10")	40.17 (131'9")	40.18 (131'9")	63.97 (209'10")	63.69 (208'11")	119.70 (392'8")	-----
400	4.981 (16'4")	8.855 (29'0")	13.63 (44'8")	18.21 (59'8")	18.30 (60')	27.47 (90'1")	27.48 (90'1")	45.93 (150'8")	45.93 (150'8")	73.13 (239'11")	72.85 (239')	136.85 (448'11")	-----
500	6.226 (20'5")	11.069 (36'4")	17.05 (55'11")	22.78 (74'8")	22.90 (75'1")	34.36 (112'8")	34.37 (112'9")	57.44 (188'5")	57.45 (188'5")	91.43 (299'11")	91.16 (299')	171.16 (561'6")	-----
600	7.472 (24'7")	13.282 (43'8")	20.48 (67'2")	27.36 (89'9")	27.49 (90'2")	41.25 (135'4")	41.26 (135'4")	68.95 (226'2")	68.96 (226'2")	109.74 (360')	109.47 (359'1")	205.46 (674')	-----

Note

- The projection distances listed here involve an error of ±5%.
- Keystone distortions are corrected in the way the screen size becomes smaller than the original one.

Installation

If the projector is used with a screen size not listed in this manual, check the diagonal dimension (inch) of your screen and calculate the projection distance using the following formulas.

Calculation formulas for projection distance by lens types (for PT-D7700U)

Model number of projection lens		Aspect ratio	Projection distance (L) formula	Units: m	
Zoom lens	ET-D75LE1 (1.5–2.0 :1)	4:3	Minimal distance: $L=0.0307 \times \text{Screen diagonal (inch)} - 0.0760$ Maximal distance: $L=0.0410 \times \text{Screen diagonal (inch)} - 0.1004$		
		16:9	Minimal distance: $L=0.0334 \times \text{Screen diagonal (inch)} - 0.0760$ Maximal distance: $L=0.0446 \times \text{Screen diagonal (inch)} - 0.1004$		
	ET-D75LE2 (2.0–3.0 :1)	4:3	Minimal distance: $L=0.0412 \times \text{Screen diagonal (inch)} - 0.0795$ Maximal distance: $L=0.0617 \times \text{Screen diagonal (inch)} - 0.1064$		
		16:9	Minimal distance: $L=0.0448 \times \text{Screen diagonal (inch)} - 0.0795$ Maximal distance: $L=0.0672 \times \text{Screen diagonal (inch)} - 0.1064$		
	ET-D75LE3 (3.0–5.0 :1)	4:3	Minimal distance: $L=0.0617 \times \text{Screen diagonal (inch)} - 0.0958$ Maximal distance: $L=0.1031 \times \text{Screen diagonal (inch)} - 0.1216$		
		16:9	Minimal distance: $L=0.0672 \times \text{Screen diagonal (inch)} - 0.0958$ Maximal distance: $L=0.1123 \times \text{Screen diagonal (inch)} - 0.1216$		
	ET-D75LE4 (5.0–8.0 :1)	4:3	Minimal distance: $L=0.1031 \times \text{Screen diagonal (inch)} - 0.1158$ Maximal distance: $L=0.1639 \times \text{Screen diagonal (inch)} - 0.1013$		
		16:9	Minimal distance: $L=0.1123 \times \text{Screen diagonal (inch)} - 0.1158$ Maximal distance: $L=0.1786 \times \text{Screen diagonal (inch)} - 0.1013$		
	ET-D75LE8 (8.0–15.0 :1)	4:3	Minimal distance: $L=0.1640 \times \text{Screen diagonal (inch)} - 0.3862$ Maximal distance: $L=0.3072 \times \text{Screen diagonal (inch)} - 0.3598$		
		16:9	Minimal distance: $L=0.1786 \times \text{Screen diagonal (inch)} - 0.3862$ Maximal distance: $L=0.3346 \times \text{Screen diagonal (inch)} - 0.3598$		
	Fixed-focus lens	ET-D75LE5 (0.8:1)	4:3	$L= 0.0158 \times \text{Screen diagonal (inch)} - 0.0835$	
			16:9	$L= 0.0172 \times \text{Screen diagonal (inch)} - 0.0835$	

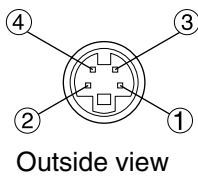
Calculation formulas for projection distance by lens types (for PT-DW7000U)

Model number of projection lens		Aspect ratio	Projection distance (L) formula	Units: m
Zoom lens	ET-D75LE1 (1.5–2.0 :1)	16:9	Minimal distance: $L=0.0343 \times \text{Screen diagonal (inch)} - 0.0760$ Maximal distance: $L=0.0458 \times \text{Screen diagonal (inch)} - 0.1004$	
	ET-D75LE2 (2.0–3.0 :1)	16:9	Minimal distance: $L=0.0460 \times \text{Screen diagonal (inch)} - 0.0795$ Maximal distance: $L=0.0689 \times \text{Screen diagonal (inch)} - 0.1064$	
	ET-D75LE3 (3.0–5.0 :1)	16:9	Minimal distance: $L=0.0689 \times \text{Screen diagonal (inch)} - 0.0958$ Maximal distance: $L=0.1151 \times \text{Screen diagonal (inch)} - 0.1216$	
	ET-D75LE4 (5.0–8.0 :1)	16:9	Minimal distance: $L=0.1151 \times \text{Screen diagonal (inch)} - 0.1158$ Maximal distance: $L=0.1831 \times \text{Screen diagonal (inch)} - 0.1013$	
	ET-D75LE8 (8.0–15.0 :1)	16:9	Minimal distance: $L=0.1831 \times \text{Screen diagonal (inch)} - 0.3862$ Maximal distance: $L=0.3430 \times \text{Screen diagonal (inch)} - 0.3598$	
Fixed-focus lens	ET-D75LE5 (0.8:1)	16:9	$L= 0.0176 \times \text{Screen diagonal (inch)} - 0.0835$	

Connection

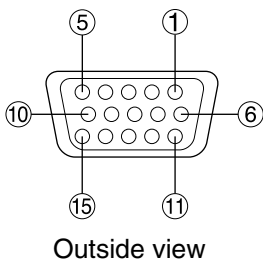
■ Before starting connection

- Before connection, read carefully the instruction manual for the device to be connected.
 - Turning off the power switch of the devices before connecting cables.
 - If any connection cable is not supplied with the device, or if no optional cable is available for connection of the device, prepare a necessary system connection cable to suit the device.
 - Video signals containing too much jitter may cause the images on the screen to randomly wobble or wafture. In this case, a time base corrector (TBC) must be connected.
 - The projector accepts the following signals: video, S-Video, analog RGB and digital signals from the PC.
 - Some PC models cannot be connected to the projector.
- The pin-out and signal names of the S-VIDEO IN terminal are shown in the diagram below.



Pin No.	Signal
①	Ground (luminance signal)
②	Ground (color signal)
③	Luminance signal
④	Color signal

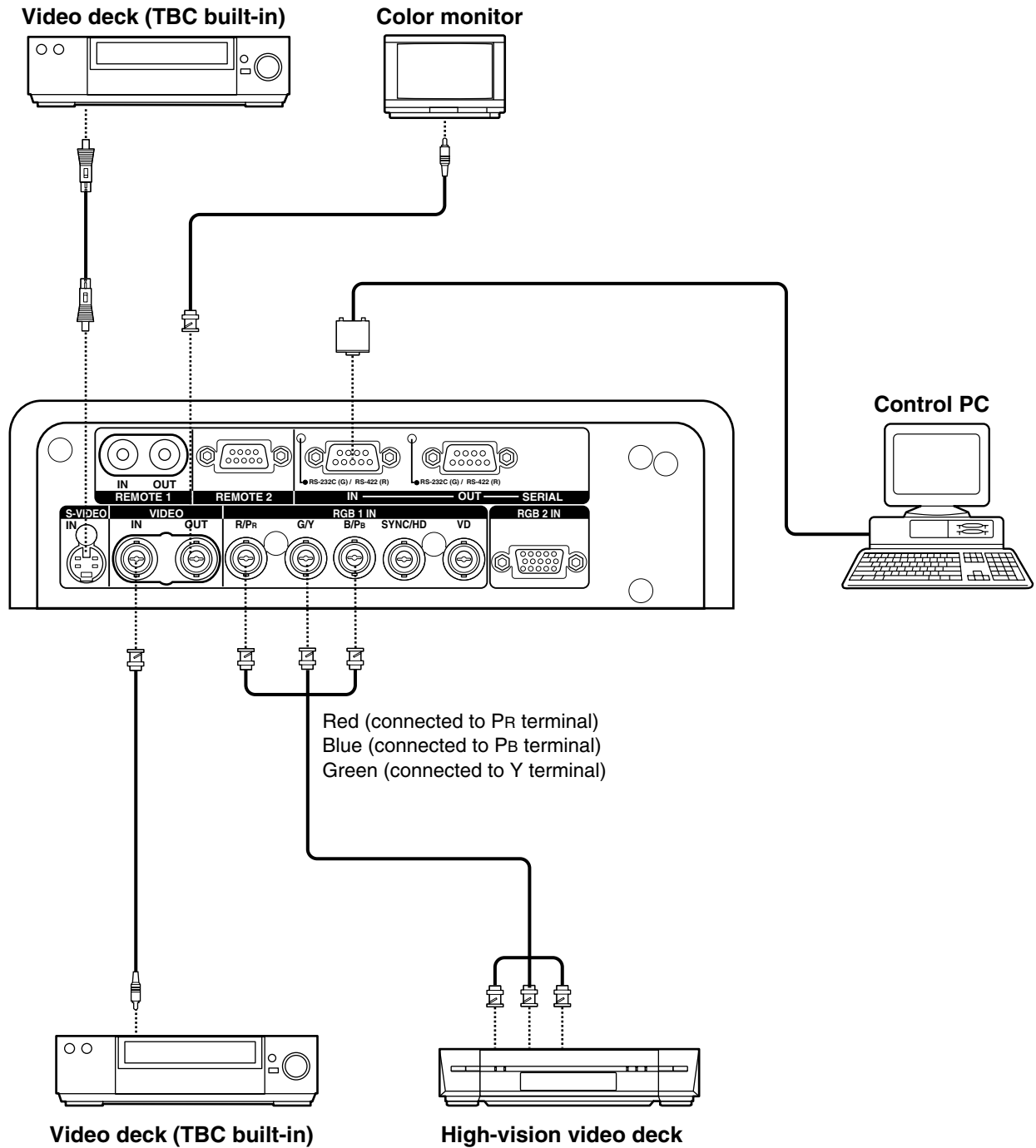
- The pin-out and signal names of the RGB2 input terminal are shown in the diagram below.



Pin No.	Signal
①	R/P _R
②	G/G · SYNC/Y
③	B/P _B
⑫	SDA
⑬	HD/SYNC
⑭	VD
⑮	SCL

- ④ and ⑨ are not assigned.
- ⑤ ~ ⑧, ⑩ and ⑪ are GND terminals.
- ⑫ and ⑮ are effective if the PC has the corresponding functions.

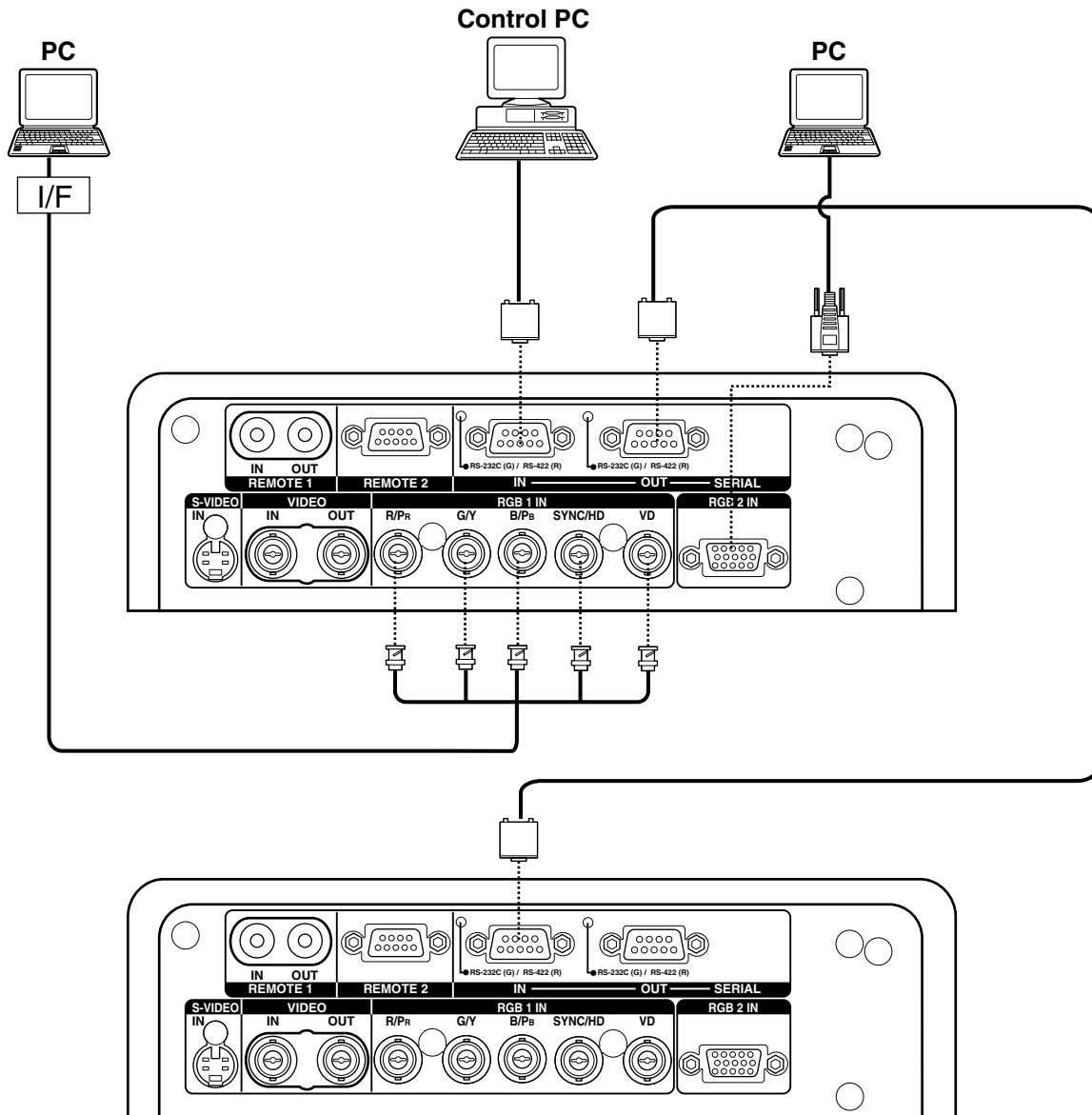
■ Example of connecting with VIDEO devices



- Attention**
- When connecting with a video deck, be sure to use the one with a built-in time base corrector (TBC) or use a TBC between the projector and the video deck.
 - If nonstandard burst signals are connected, the image may be distorted. If this is the case, connect a TBC between the projector and the video deck.

Connection

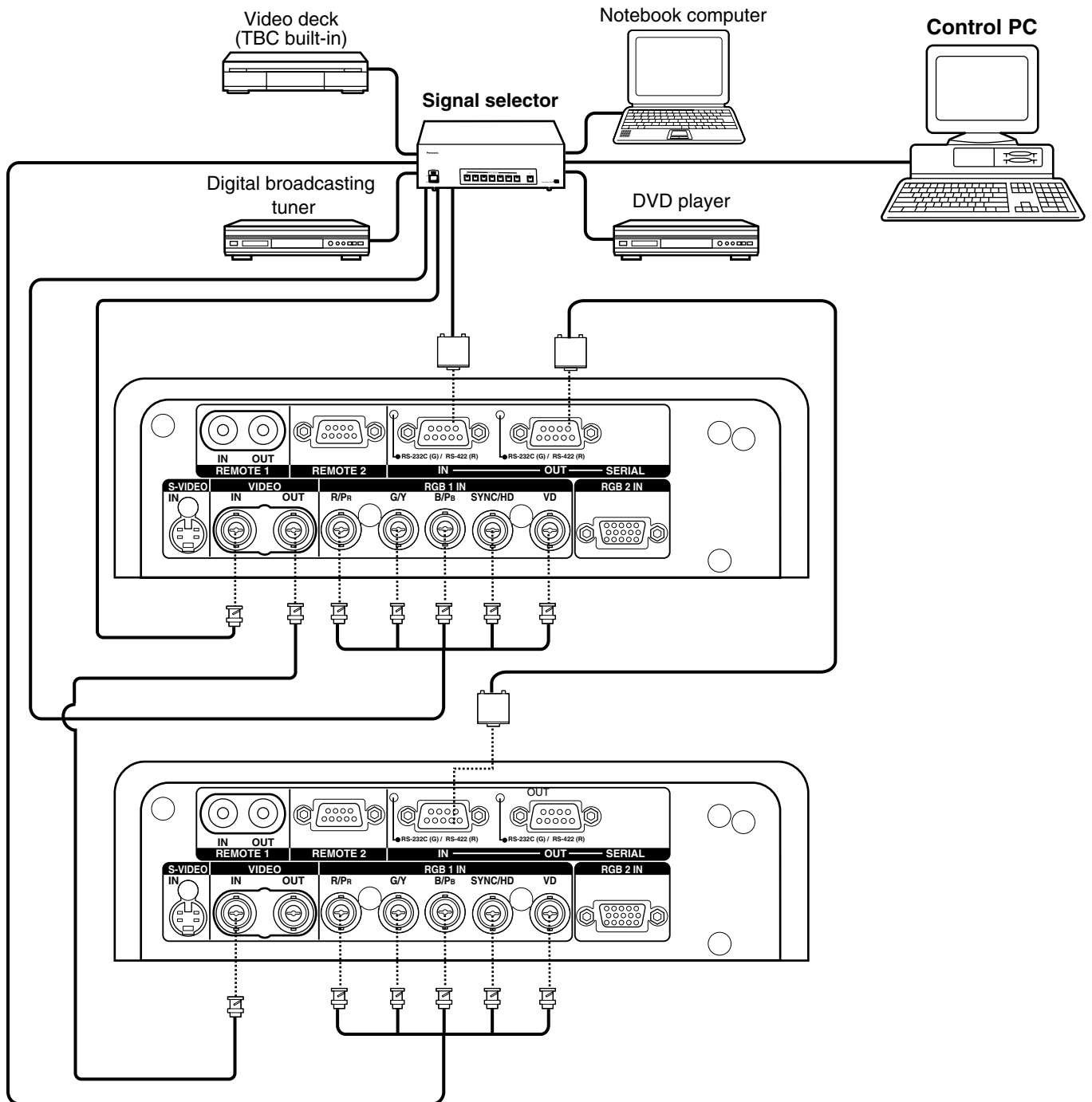
■ Example of connecting with personal computers



Attention • When the main power of the main unit is turned off, also turn off the power of the PC.

- Note**
- For the specifications of the RGB signals that can be applied from the PC, see the data sheet on page 106.
 - If your PC has the resume feature (last memory), the computer may not function properly until the resume capability is disabled.

■ Example of connecting with the signal selector



Note

- When multiple signals of the same type are switched and input to RGB1 IN (for example, when switching multiple high-vision signals for usage), use a dedicated signal selector. When the signal selector is connected to the projector with a RS-232C cable, signals can be used separately according to the input terminal on the signal selector.
- Carefully read also the instruction manual for the signal selector.

Installation of input module (optional)

■ Installing the input module

Types of the input modules (optional)

Prepare beforehand an input module (optional) compatible with the input signals of the system.

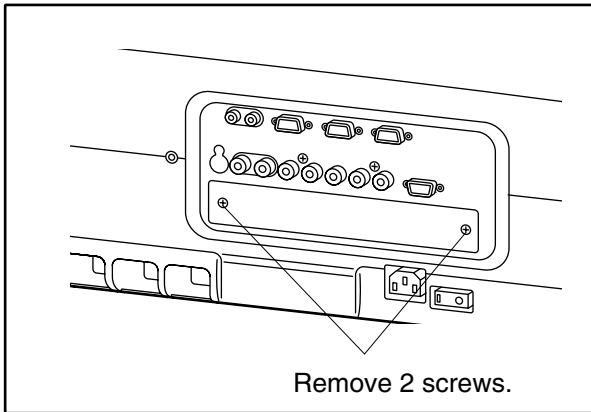
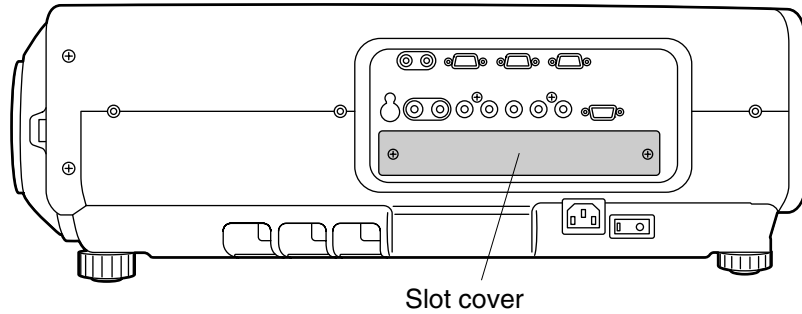
Module	Module model No.	Terminal	Signal formats supported
SD-SDI input module	ET-MD77SD1	BNC input x 1 BNC output x 1	SMPTE259M compliant : 480i, 576i
		RJ-45 input x 1	10BASE-T/100BASE-TX
HD/SD-SDI input module	ET-MD77SD3	BNC input x 1 BNC output x 1	SMPTE259M compliant : 480i, 576i SMPTE292M compliant : 720/60p, 720/59.94p, 720/50p 1 035/60i, 1 035/59.94i, 1 080/60i, 1 080/59.94i 1 080/50i, 1 080/24sF, 1 080/23.98sF, 1 080/30p 1 080/29.97p, 1 080/25p, 1 080/24p, 1 080/23.98p
		RJ-45 input x 1	10BASE-T/100BASE-TX
DVI-D input module	ET-MD77DV	DVI-D 24p input x 1	HDCP-compliant *1 DVI-D single link, DVI 1.0 compliant EDID1 : 480p, 576p, 720/60p, 720/59.94p, 720/50p 1 080/60i, 1 080/59.94i, 1 080/50i, 1 080/24sF, 1 080/23.98sF 1 080/30p, 1 080/29.97p, 1 080/25p, 1 080/24p, 1 080/23.98p EDID2 : Displayable resolution VGA - UXGA (non-interlace) Dot clock frequency 25 - 162MHz
		RJ-45 input x 1	10BASE-T/100BASE-TX
Network module	ET-MD77NT	RJ-45 input x 1	10BASE-T/100BASE-TX

*1...HDCP (High-bandwidth Digital Content Protection)

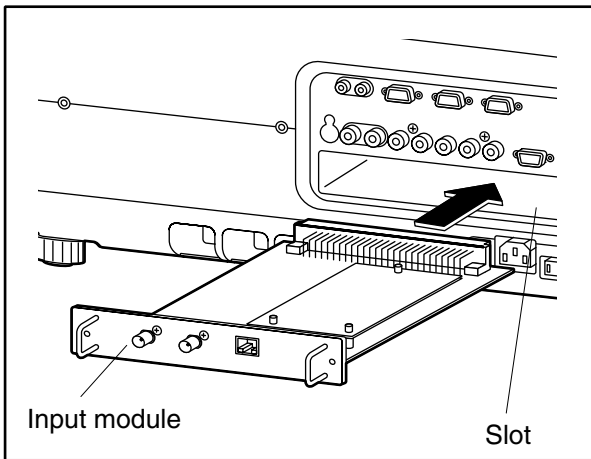
HDCP is a specification for encoding digital image signals which was developed to protect digital content. The DVI/HDMI output signals from the HDCP-compliant equipment have been encoded by the HDCP specifications to ensure content protection, but the DVI input module is capable of displaying the digital images properly since it complies with the HDCP specification.

Procedure of installation

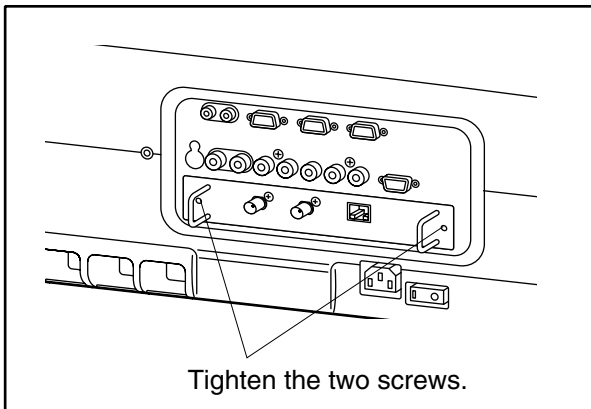
Disconnect the power before installing the input module.



① Remove the slot cover.



② Insert the input module.



③ Fix the input module.

④ Register the input signal.

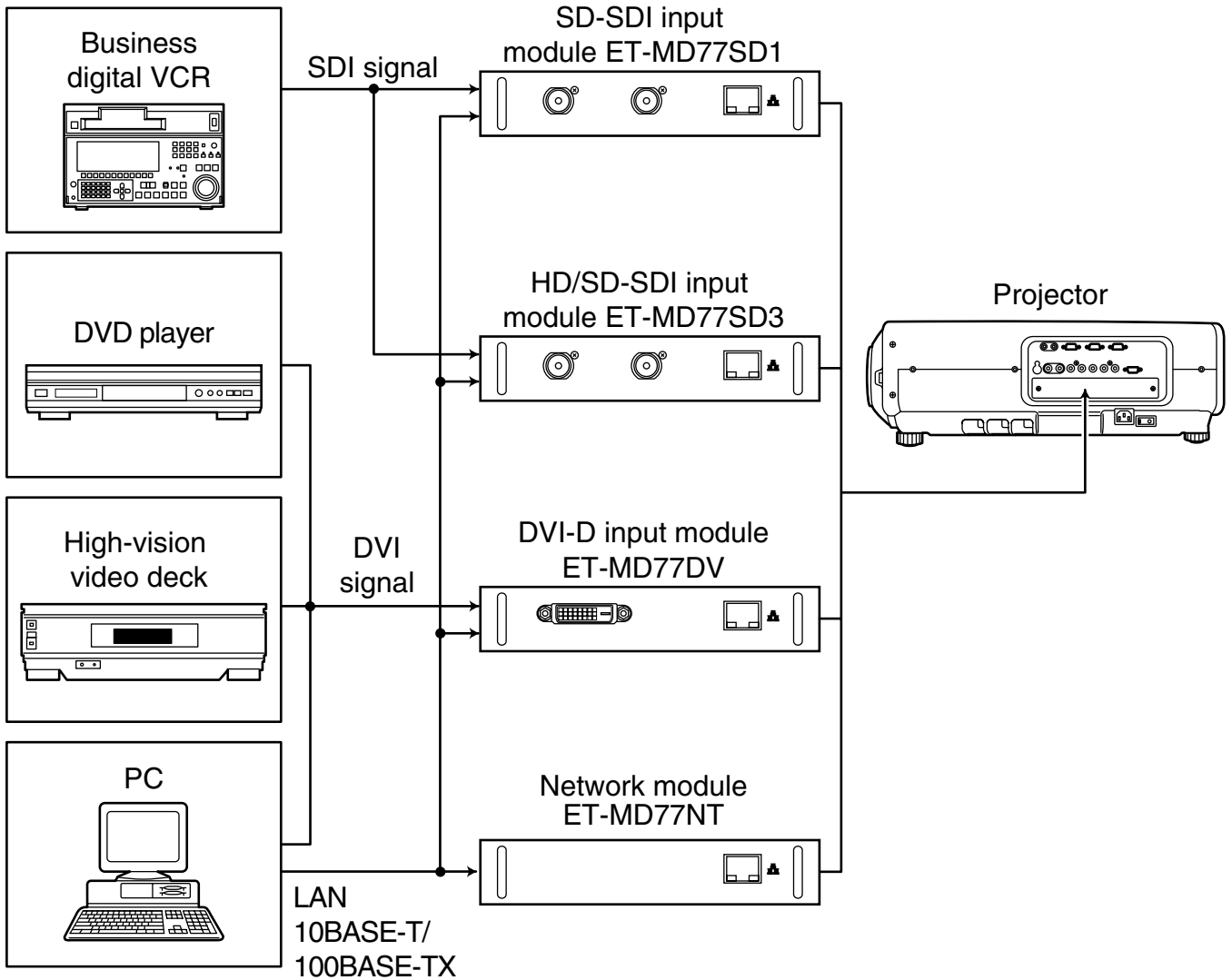
This projector needs to register the type of input signal after the installation of the input module. (For details on the registration of the input signals, refer to pages 40–43.)

Installation of input module (optional)

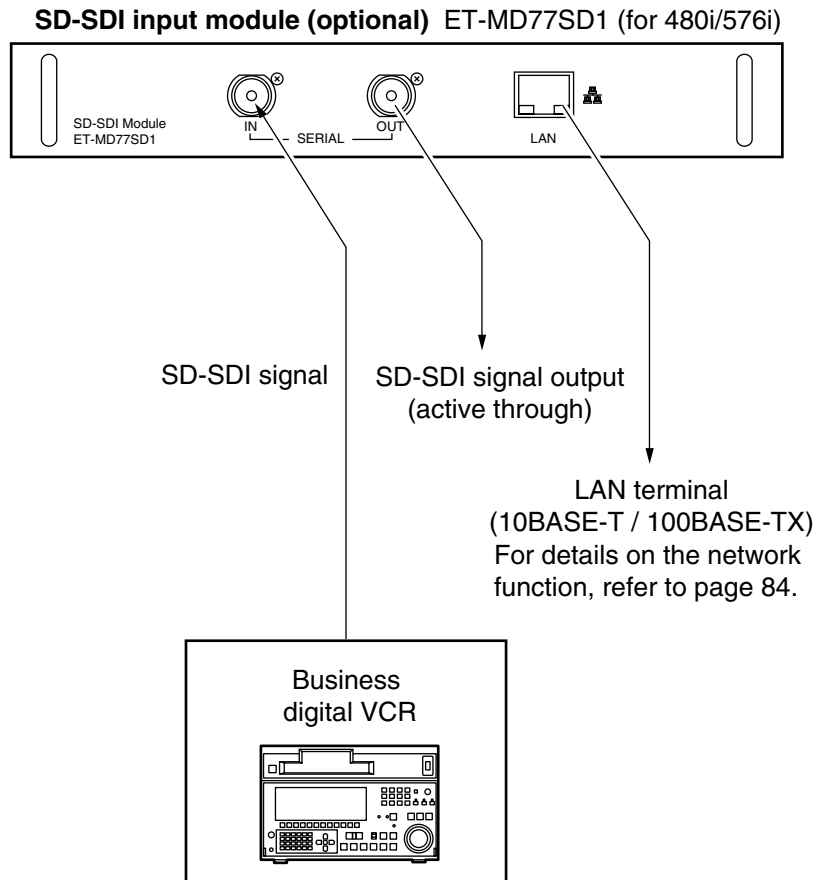
■ Connecting signals to the input module

When installing the projector, it is necessary to connect signals to the input module in accordance with the connecting equipment.

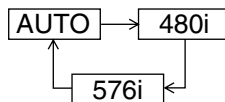
Refer to the following diagram to establish proper signal connection.



■ Connecting the signal to the SD-SDI input module



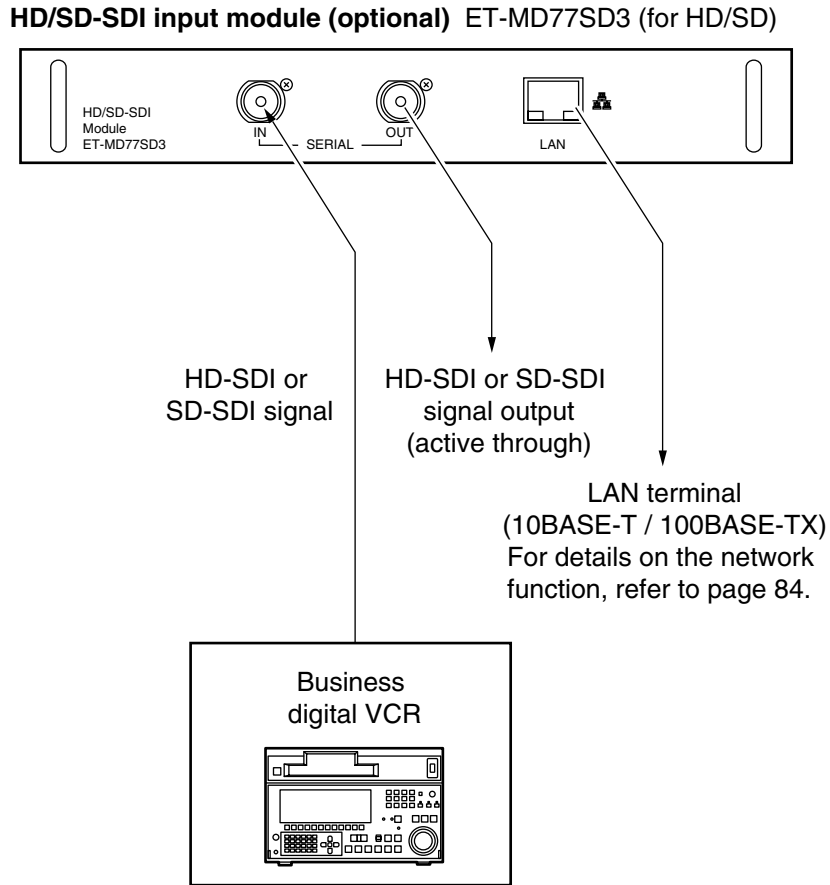
- Insert the input module suitable for the input signal specifications.
- Normally, use SYSTEM SELECTOR in "AUTO".
Automatic detection may malfunction if any unstable signal is connected. If this happens, switch to a system that is compatible with the signal format using the SYSTEM SELECTOR button.
- Use the SYSTEM SELECTOR button to toggle the systems of the input module that supports two types of signal specifications. Upon toggling, the input signals are displayed on the screen and cleared automatically.



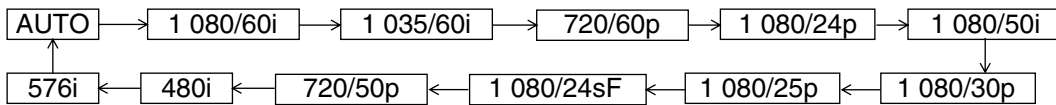
(Continued on next page)

Installation of input module (optional)

■ Connecting the signal to the HD/SD-SDI input module

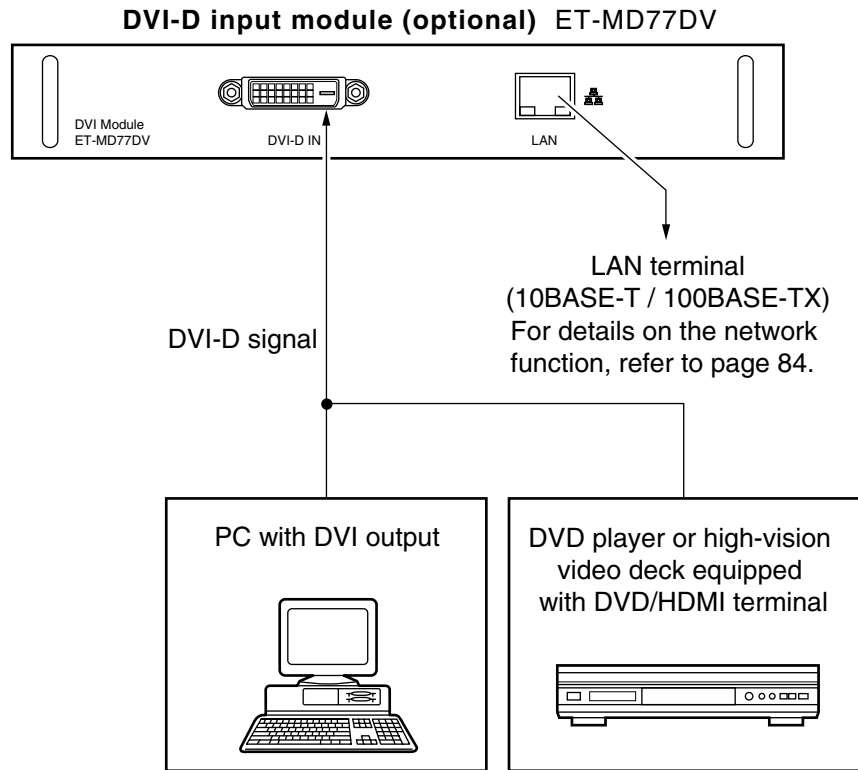


- Insert the input module that meets the input signal specifications.
- Normally, use SYSTEM SELECTOR in "AUTO".
- Any of the format systems can be selected using the SYSTEM SELECTOR button which supports 9 types (15 formats) of HD signal standards (SMPTE292M) and 2 types of SD signal standards (SMPTE259M) shown below by toggling between any one of the formats. During the selection process, the input signals and other information appear on-screen and are cleared automatically.

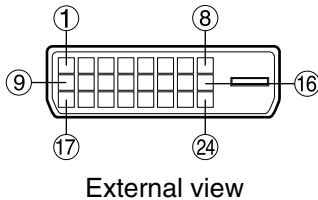


- Automatic detection may malfunction if any unstable signal is connected. If this happens, switch to a system that is compatible with the signal format using the SYSTEM SELECTOR button.
- Use a 5CFB or superior cable for connection to transmit the image information without error. (Example: 5CFB, 5CFTX, 7CFB etc.)

■ Connecting signals to the DVI-D input module



- Pin assignments and signal names of DVI-D input terminal are listed in the table at right.



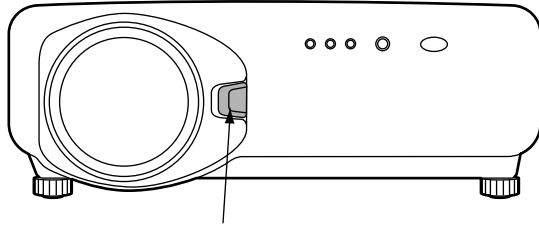
Pin No.	Signal	Pin No.	Signal
①	T.M.D.S data 2-	⑬	—
②	T.M.D.S data 2+	⑭	+5V
③	T.M.D.S data 2 / 4 shield	⑮	Ground
④	—	⑯	Hot plug detection
⑤	—	⑰	T.M.D.S data 0-
⑥	DDC clock	⑱	T.M.D.S data 0+
⑦	DDC data	⑲	T.M.D.S data 0/5 shield
⑧	—	⑳	—
⑨	T.M.D.S data 1-	㉑	—
⑩	T.M.D.S data 1+	㉒	T.M.D.S clock shield
⑪	T.M.D.S data 1/3 shield	㉓	T.M.D.S clock+
⑫	—	㉔	T.M.D.S clock-

- The DVI-D signal input module supports only a single link.
- The HDMI-DVI conversion cable is required to connect an HDMI-compliant device.
- The EDID mode setting must be selected so that it corresponds to the device to be connected. (Refer to page 72.)
- It is possible to connect the DVI-D input module with an HDMI- or DVI-compliant device, but with some devices the images may not appear or other problems may be encountered in operation.

How to install and remove the projection lens (optional)


■ How to install the projection lens

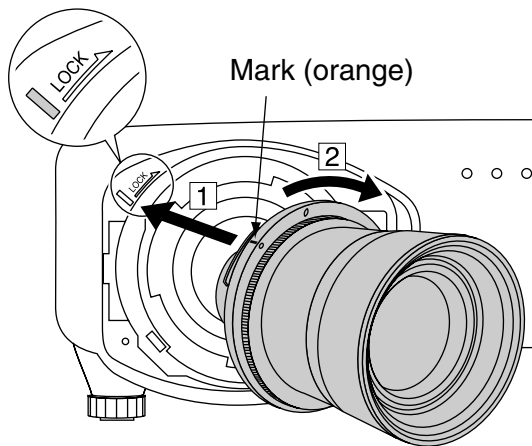
- ① While pressing the lock button on the projection lens cover, pull the cover forward to remove it.



Lens cover's lock button

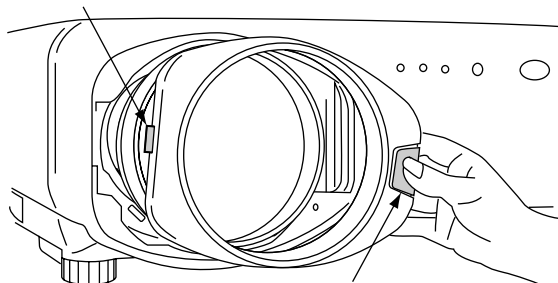
- ② Pull and remove the dustproof sheet on the back of the projection lens cover.

- ③ Align the mark (orange) on the projection lens with the mark on the projector (), and then insert the lens and turn it clockwise until it clicks into place.



- ④ Insert the tab on the projection lens cover into the projector, and mount the projection lens cover while pressing the lock button.

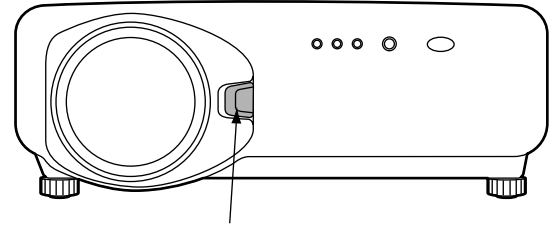
Lens cover's tab



Lens cover's lock button

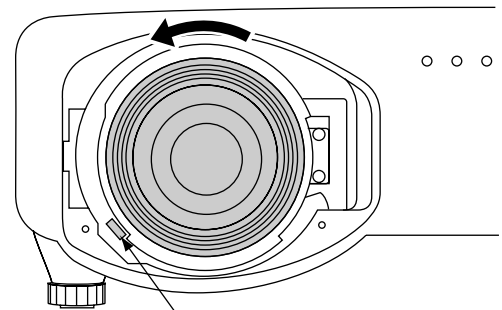
■ How to remove the projection lens

- ① While pressing the lock button on the projection lens cover, pull the cover forward to remove it.



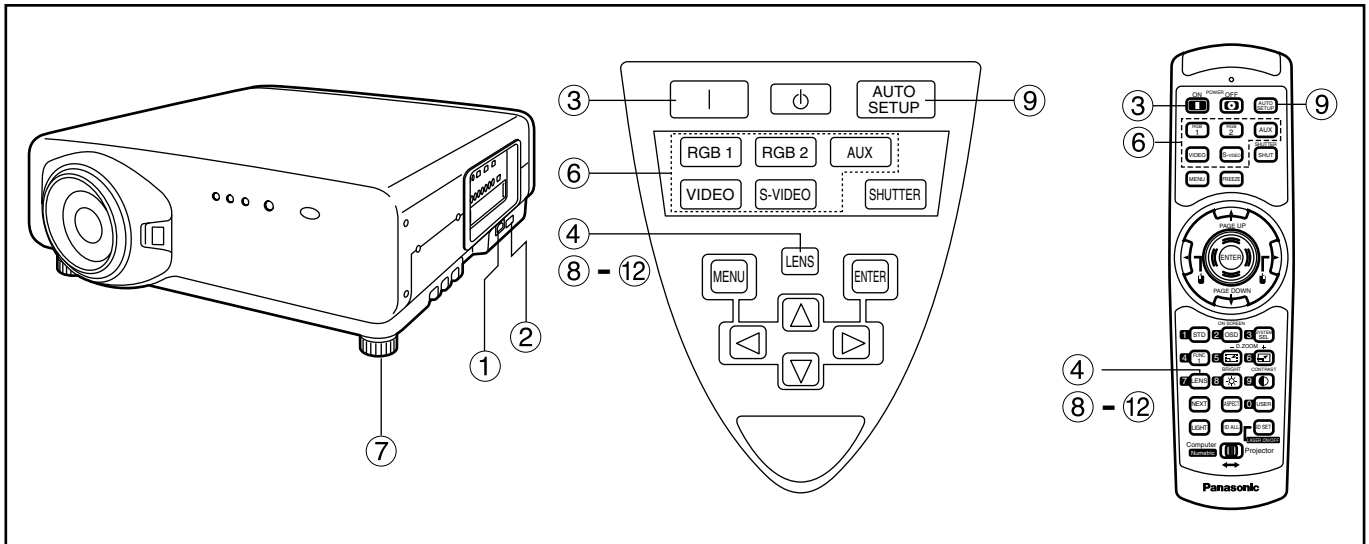
Lens cover's lock button

- ② While holding down the lock button, turn the projection lens counterclockwise, and then pull it off.



Projection lens lock button

Projection



■ Powering up the projector

- ① **Connect the supplied power cable.**
(120 V AC~, 50 Hz/60 Hz)
- ② **Press the “I” marked side of the MAIN POWER switch to turn on the power.**
The power indicator lamp on the projector will flash in red. After a short period, the indicator will illuminate and the projector will enter standby mode.
- ③ **Press the “I” button. [on the main unit or the remote control]**
The power indicator lamp illuminates in green and soon the image is projected on the screen.

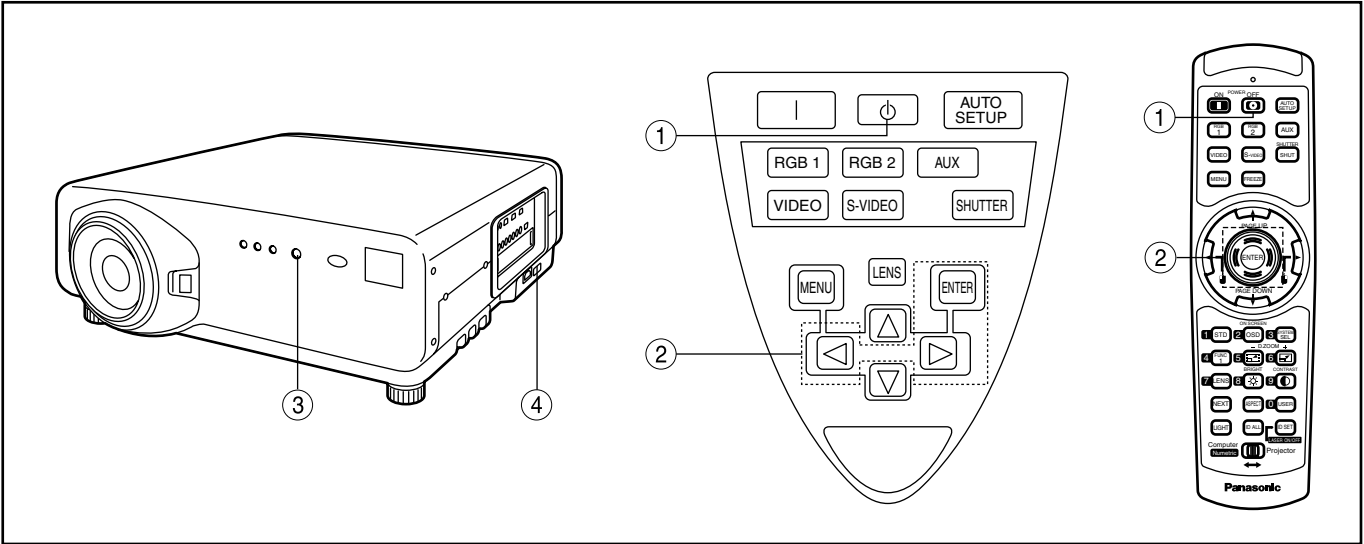
■ Making adjustment and selection

- ④ **Roughly adjust the focus of the lens.**
(Refer to page 37.)
Press the LENS button on the main unit or the remote control unit to display a focus adjustment screen. Pressing ▲ ▼ ◀ ▶ buttons to adjust the image into focus.
- ⑤ **Select and set the projection scheme.**
(Refer to page 67.)
- ⑥ **Select the input signal by pressing the input selector button to toggle through RGB1, RGB2, VIDEO, S-VIDEO and AUX. [on the main unit or the remote control]**
- ⑦ **Adjust the tilt of the main unit in front and rear or right and left.**
(Refer to page 18.)
- ⑧ **Press the LENS button two or three times to adjust the lens shift. (Refer to page 37.)**

- ⑨ **Press the AUTO SETUP button if the input signal is RGB signal. [on the main unit or the remote control]**
- ⑩ **Fit the image size to the screen size. (Refer to page 37.)**
Press the LENS button twice and adjust the zoom of the lens on the lens zoom adjustment menu.
- ⑪ **Press the LENS button and adjust the focus of the lens on the lens focus adjustment menu.**
- ⑫ **Display the zoom adjustment menu again and adjust the zoom of the lens to fit the image size to the screen size. (Refer to page 37.)**

Note

- If the projector is powered up at about 0°C, a warm-up period of approximately five minutes may be necessary to start projection. The temperature monitor (TEMP) lamp lights up during the warm-up period. When the warm-up is completed, the temperature monitor (TEMP) lamp turns off and the image is projected on the screen.
- If the surrounding temperature is very low and the warm-up period exceeds five minutes, the control determines it as an abnormal condition and turns off the power automatically. If this happens, raise the surrounding temperature to 0°C or higher and then turn the main power “on” and turn the power “on” (I).
- The AUX button is disabled when an optional input module is not connected.



■ Powering off the projector

- ① Press the POWER OFF “⏻” button.
- ② Select “OK” with ◀ or ▶ button and press the ENTER button.
(or press the POWER OFF “⏻” button again.)
The projection of the image stops, and the power indicator lamp of the main unit lights up orange. (The cooling fan keeps running.)
- ③ Wait until the power indicator lamp of the main unit turns to red (i.e., until the cooling fan stops). (Approx. 4 minutes)
While the cooling fan is still running, never turn off the MAIN POWER switch, nor unplug the projector from the outlet.
- ④ Press the “O” marked side of the MAIN POWER switch to remove all power from the projector.

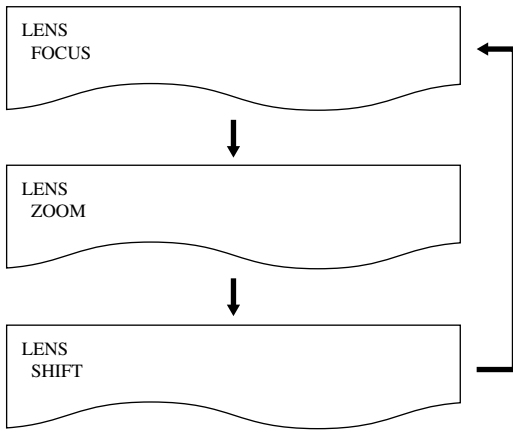
Note

- Turning on the power supply will not light up the light source lamp if the lamp is in the process of cooling down after turning off the power supply. To light up the lamp, turn on the power supply again when the lamp has been cooled sufficiently.
- The projector consumes approximately 12 watts of power even in standby mode after the cooling fan stops. (Power indicator lamp lit in red)
- If you re-power the projector after shutting off the main power inadvertently, the projection lamp may remain unlit. Please turn the power on again after a while.

How to adjust the lens

■ How to adjust the lens focus, lens zoom and lens shift (optical shift)

If the focusing, zooming or positioning of the image projected on the screen is not successful, even though the projector is properly positioned against the screen, you can adjust the focus, the zoom, or the vertical or horizontal position of the image.



- ① **Press the LENS button on the remote control or on the control panel of the main unit.**

Pressing the button changes the setup screen in the order of “LENS FOCUS”, “LENS ZOOM” and “LENS SHIFT”.

- ② **Choose an item and adjust it using ▲ ▼ ◀ ▶ buttons.**

Caution

Be careful not to catch your fingers between the lens and shroud when shifting the lens.

Note

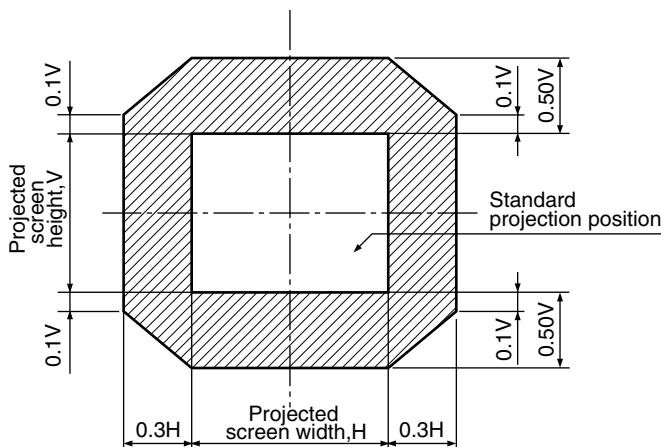
- The lens zoom adjustment menu will be displayed only when a lens with zoom function is being used.

■ Adjustment range after lens position (optical shift)

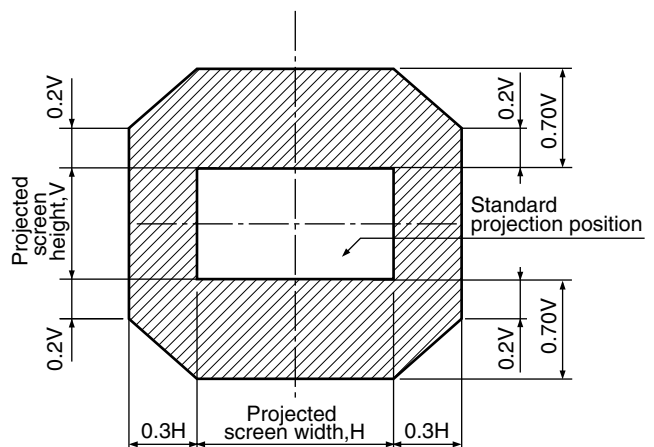
Do not move the lens beyond the bounds of the shift range as this may cause a change in the focus. This limitation is to protect the parts of the projector.

Using the standard projection position as the reference, the optical axis shift function makes it possible to adjust the projection position in the ranges shown in the figures below.

● PT-D7700U



● PT-DW7000U

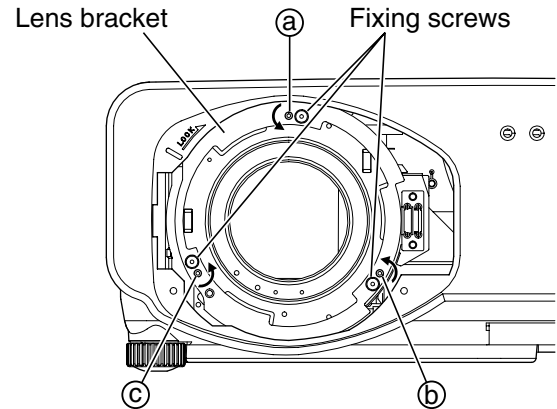


How to adjust the lens

■ How to adjust the lens for addressing unevenness of focusing

If the image is out of focus in any portion of the screen, adjust the lens by turning the adjustment screws to obtain evenness of focusing.

- ① **Remove the lens cover and lens (Refer to page 34).**
- ② **Loosen the three fixing screws that secure the lens bracket about two turns.**
 - Tool to be used : Allen hex socket driver or Allen wrench (2.5-mm diagonal hexagon)
- ③ **Install the lens removed in step ①.**
- ④ **Adjust the lens by turning the adjustment screws a, b, and c counterclockwise.**
 - Tool to be used : Allen hex socket driver or Allen wrench (2.5-mm diagonal hexagon)



Adjust the screws a, b, and c after installing the lens.

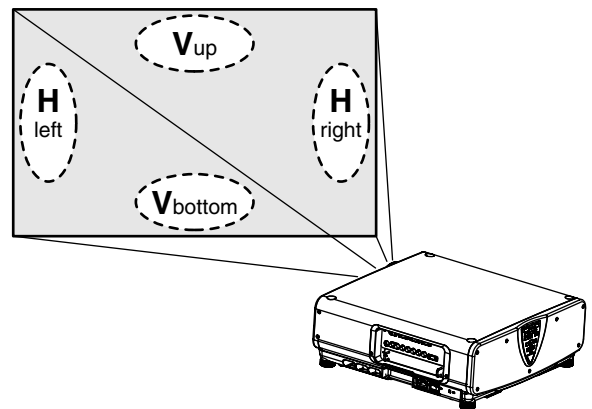
The instructions within parentheses apply to ceiling mount installation.

	V up is out of focus	V bottom is out of focus	H right is out of focus	H left is out of focus
① a	(Turn counterclockwise)	Turn counterclockwise ()	()	()
② b	Turn counterclockwise ()	(Turn counterclockwise)	Turn counterclockwise ()	(Turn counterclockwise)
③ c	Turn counterclockwise ()	(Turn counterclockwise)	(Turn counterclockwise)	Turn counterclockwise ()

(For example)

When the image is out of focus in the upper portion of the screen (V up):

Turn the adjustment screws b and c little by little counterclockwise while checking evenness of focusing in the upper and lower portions.



Note • Be sure to tighten the fixing screws before transportation.

Automatic adjustment (AUTO SETUP)

Automatic adjustment function adjust the resolution, clock phase and image position automatically when dots-structured analog RGB signals such as computer signal are supplied. (Automatic adjustment is not available if signals or moving images other than analog RGB signals are supplied.)

It is recommended to supply images with a bright white frame at the outermost periphery containing characters etc. that are clear in white and black contrast when the system is in automatic adjustment mode. Avoid supplying images that involve halftones or gradation such as photographs and computer graphics.

Note

- A message "COMPLETE" appears if adjustment is ended normally.
- "CLOCK PHASE" may have been shifted even when the adjustment ended normally.
In this case, manually adjust the "CLOCK PHASE".
- If an image with blurred edges or a dark image is supplied, a message "INCOMPLETE" appears, indicating the automatic adjustment was unsuccessful.
In this case, manually adjust the items of "INPUT RESOLUTION", "CLOCK PHASE" and "SHIFT".
- For specific signals and long-sideways (or landscape) signals such as 16:9, adjustment should be made according to "AUTO SETUP" in the option menu.
- Automatic adjustment may not be available depending on the machine type of the personal computer.
- Automatic adjustment may not be available for synchronization signal of C-SYNC and G-SYNC.
- Image may be distorted for several seconds during automatic adjustment. This is not a malfunction.
- For every supplied signal, adjustment is required.
- Automatic adjustment can be cancelled by pressing the MENU button during the course of automatic adjustment.

Registration of input signal data

The input signal data must be registered because it is not registered on shipment of the projector.

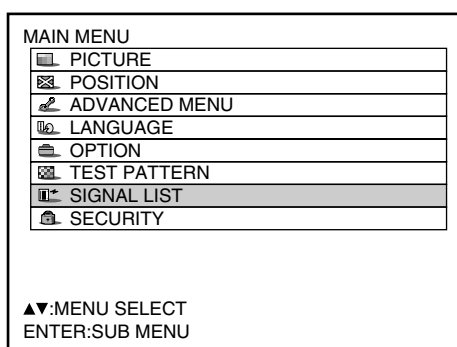
■ Registration of new data

When a new signal is supplied, press the “MENU” button on the remote control or operating section of the main unit. When its data has been registered, the MAIN MENU screen is displayed.

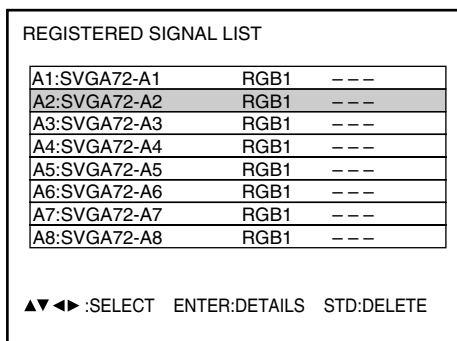
Note

- The data of 96 input signals can be registered.
- The signals supporting the installed input module are input and their data registered.
- The memories are numbered over 12 pages (A to L: 8 data items can be registered on each page), and the data is registered in the unused memory with the lowest number. If all the memories are used, the data of the old signals is overwritten in sequence.
- The names of the registered data are automatically determined by the input signals and memory numbers.

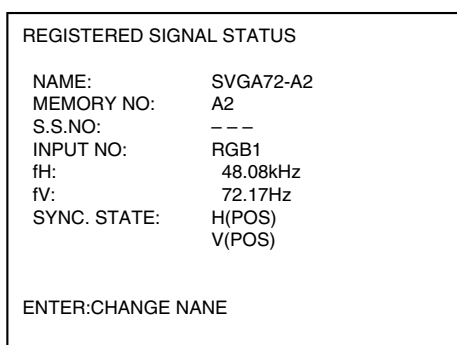
■ Renaming the registered signals



- ① **Press the “MENU” button.**
The MAIN MENU screen will be displayed.
- ② **Select “SIGNAL LIST” with the ▲ and ▼ buttons.**



- ③ **Press the “ENTER” button.**
The REGISTERED SIGNAL LIST screen will be displayed. The memories extend over 12 pages (A to L with 8 data items each, giving a total of 96 memories).
- ④ **Select the signal whose details are to be displayed with the ▲, ▼, ◀ and ▶ buttons.**



- ⑤ **Press the “ENTER” button.**
The REGISTERED SIGNAL STATUS screen will be displayed.

Note

- The data items including the input signal name, memory number, signal selector input number, input terminal, frequency and sync signal are automatically identified and displayed.
- When the “MENU” button is pressed, the REGISTERED SIGNAL LIST screen is restored.

RENAME

NAME: **S**VG A72-A2
 MEMORY NO: A2
 S.S.NO: --
 INPUT NO: RGB1
 fH: 48.08kHz
 fV: 72.17Hz
 SYNC. STATE: H(POS)
 V(POS)

◀▶:NEXT FIGURE ▲▼:FONT SELECT ENTER:SET MENU:ESC

- ⑥ **Press the “ENTER” button.**
The RENAME screen will be displayed.
- ⑦ **Select each character with the ◀ and ▶ buttons, and set the character or number with the ▲ and ▼ buttons (press the “STD” button to clear the name which is automatically displayed). After the signal has been renamed, press the “ENTER” button.**
After registration, the REGISTERED SIGNAL STATUS screen is restored.

Note • When the “MENU” button is pressed instead of the “ENTER” button, the new signal name will not be registered, and the automatically displayed signal name will be retained.

■ Clearing the data of registered signals

MAIN MENU

PICTURE
POSITION
ADVANCED MENU
LANGUAGE
OPTION
TEST PATTERN
SIGNAL LIST
SECURITY

▲▼:MENU SELECT
ENTER:SUB MENU

- ① **Press the “MENU” button.**
The MAIN MENU screen will be displayed.
- ② **Select “SIGNAL LIST” with the ▲ and ▼ buttons.**

REGISTERED SIGNAL LIST

A1:SVG A72-A1	RGB1	---
A2:SVG A72-A2	RGB1	---
A3:SVG A72-A3	RGB1	---
A4:SVG A72-A4	RGB1	---
A5:SVG A72-A5	RGB1	---
A6:SVG A72-A6	RGB1	---
A7:SVG A72-A7	RGB1	---
A8:SVG A72-A8	RGB1	---

▲▼◀▶:SELECT ENTER:DETAILS STD:DELETE

- ③ **Press the “ENTER” button.**
The REGISTERED SIGNAL LIST screen will be displayed. The memories extend over 12 pages (A to L with 8 data items each, giving total of 96 memories).
- ④ **Select the signal whose data is to be cleared with the ▲, ▼, ◀ and ▶ buttons.**

ENTRY SIGNAL CLEAR OK?

NAME: SVGA72-A2
 MEMORY NO: A2
 S.S.NO: ---
 INPUT NO: RGB1
 fH: 48.08kHz
 fV: 72.17Hz
 SYNC. STATE: H(POS)
 V(POS)

ENTER:EXECUTE MENU:ESC

- ⑤ **Press the “STD” button.**
The ENTRY SIGNAL CLEAR screen will be displayed.
If the data is not to be cleared, press the MENU button to return to the SIGNAL LIST screen.
- ⑥ **Press the “ENTER” button.**
The data of the signal selected in step ④ is cleared.

Registration of input signal data

■ Sub memory

The projector is provided with a sub memory function to register plural pieces of image adjustment data even they are determined to be the same signal by the frequency and form of the synchronization signal source.

Use this function when the user needs adjustment of picture quality such as aspect switching and white balance using the same signal source.

Sub-memory contains all data that can be adjusted by signals such as screen aspect ratio and image adjustment data (BRIGHT, CONTRAST etc.).

How to register into sub memory

A new signal cannot be registered into sub memory. A new signal must undergo signal registration.

SUB MEMORY LIST	
1- 1:	SXGA60-A1
1- 2:	SXGA60-A2
1- 3:	---
1- 4:	---
1- 5:	---
1- 6:	---
1- 7:	---
1- 8:	---

▲▼◀▶:SELECT ENTER:CHANGE STD:DELETE



REGISTER SUB MEMORY?	
NAME:	SXGA60-A1
MEMORY NO:	--
S.S.NO:	---
INPUT NO:	RGB1
fH:	48.00kHz
fV:	60.00Hz
SYNC. STATE:	H(POS) V(POS)

ENTER:EXECUTE MENU:ESC

- ① **Press the “USER” button on normal screen (menu is not displayed).**
(A “Check sub-memory registration” screen will appear if sub-memory has not been registered.)
The screen will show a list of the sub-memory registered for the currently entered signal.
- ② **Select the SUB MEMORY number stored with the ▼, ▲, ◀ and ▶ buttons in the “SUB MEMORY LIST”.**
- ③ **Press the “ENTER” button.**
A “Change registered signals” screen will appear.
- ④ **Press the “ENTER” button.**

Note

- To rename a registered signal, perform step ⑦ on page 41.

Procedure to switch to sub memory

- ① **Press the “USER” button on normal screen (menu is not displayed).**
The screen will show a list of the sub-memory registered for the currently entered signal.
- ② **In the “SUB MEMORY LIST”, select the sub-memory signal to be switched using the ▼, ▲, ◀ and ▶ buttons.**
- ③ **Press the “ENTER” button.**
Signal will be switched to the one that was selected in Step ②.

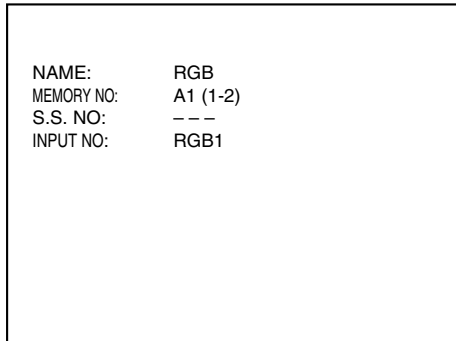
How to erase sub memory

The currently selected SUB MEMORY is deleted by pressing the standard button (STD) at the “REGISTERED SIGNAL LIST” or the “SUB MEMORY LIST”.

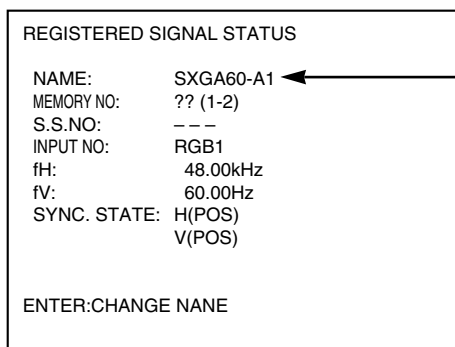
On-screen indications

① Input switching / signal switching

This shows the registered signal name on the status screen for signal switching.



② Details of registered signal



The designation can be set by the sub memory items.

MEMORY NO: A1 (1-2)

displays the sub memory number.

The place in which address code (A1, A2, ..., H7 and H8) signals are registered

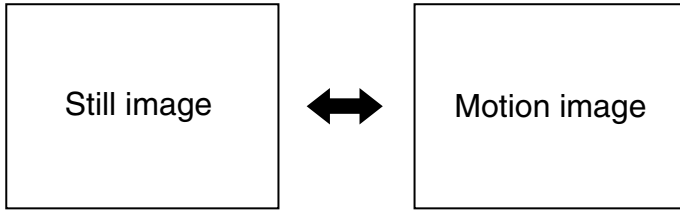
Note

Restrictions

The maximum sub memory items that can be registered for the projector are 96 including the basic signal.

Using the FREEZE function

Pressing the “FREEZE” button of the remote control switches between a still image and a motion image.



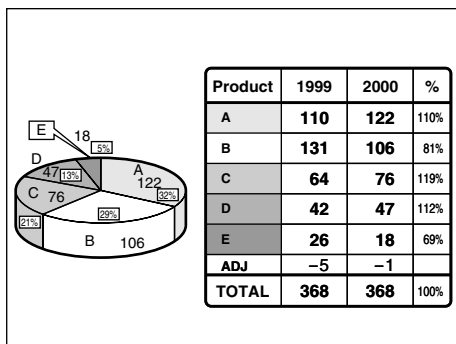
Using the SHUTTER function

If the projector is not used for a certain period of time during the meeting intermission, for example, a shutter mode is available that allows the user to hide images temporarily.

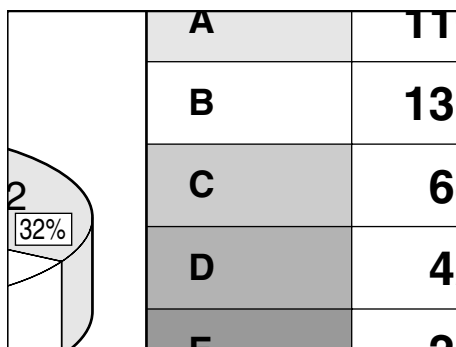
- ① **Press the “SHUTTER” button of the remote control or the main unit.**
The image is turned off.
- ② **Press the “SHUTTER” button again.**
The image comes back.

Using the digital zoom (– D.ZOOM +) function

A portion of the picture on the screen can be zoomed in with “– D.ZOOM +” buttons of the remote control. It is useful for highlighting a specific object during the presentation.



- ① **Press the “– D.ZOOM +” button of the remote control.**
The image is zoomed in.
- ② **Change the magnification with the “– D.ZOOM +” button.**
The magnification can be adjusted from 1.0 to 3.0 times.
- ③ **Use ▲ ▼ ◀ ▶ buttons to move the magnified image.**
- ④ **To restore the original image, press the “MENU” button.**



- Attention**
- The digital zoomed state cannot be stored in memory.
 - If the input signal format is changed while in digital zoom mode, the projector will exit digital zoom function.

On-screen menus

■ Structure of menu screens

Menus are extensively used for configuring, adjusting or reconfiguring the projector. The menu structure is as follows:

MAIN MENU

MAIN MENU	
PICTURE	
POSITION	
ADVANCED MENU	
LANGUAGE	
OPTION	
TEST PATTERN	
SIGNAL LIST	
SECURITY	

▲▼:MENU SELECT
ENTER:SUB MENU

PICTURE (pages 47-52)

PICTURE	
PICTURE MODE	DYNAMIC
COLOR	50
TINT	30
COLOR TEMP.	DEFAULT
GAMMA	2.2
CONTRAST	32
BRIGHT	32
SHARPNESS	6
NOISE REDUCTION	2
DYNAMIC IRIS	1

▲▼:MENU SELECT
◀▶:CHANGE ENTER:REGISTER

SECURITY (page 80)

SIGNAL LIST (pages 40 and 41)

SIGNAL LIST		
A1:SVGA72-A1	RGB1	---
A2:SVGA72-A2	RGB1	---
A3:SVGA72-A3	RGB1	---
A4:SVGA72-A4	RGB1	---
A5:SVGA72-A5	RGB1	---
A6:SVGA72-A6	RGB1	---
A7:SVGA72-A7	RGB1	---
A8:SVGA72-A8	RGB1	---

▲▼◀▶:SELECT ENTER:DETAILS STD:DELETE

POSITION (pages 53-56)

POSITION	
SHIFT	
SIZE	DEFAULT
CLOCK PHASE	0
KEystone	

▲▼:MENU SELECT
ENTER:SUB MENU

TEST PATTERN (page 79)

OPTION (pages 66-75)

OPTION	
PROJECTOR ID	2
SETTING	FRONT-F
LAMP SELECT	DUAL
LAMP POWER	HIGH
RS232C SETTING	
OSD POSITION	2
SYSTEM INFORMATION	
COLOR MATCHING	OFF
VIDEO SETTING	
AUTO SETUP	

▲▼:MENU SELECT
◀▶:CHANGE

ADVANCED MENU (pages 57-63)

ADVANCED MENU	
DIGITAL CINEMA REALITY	AUTO
FORMAT	SMPTE
BLANKING	
INPUT RESOLUTION	
CLAMP POSITION	
EDGE BLENDING	OFF
SYNC.TERM	75 Ω
RASTER POSITION	

▲▼:MENU SELECT
◀▶:CHANGE

OPTION	
OUTPUT RESOLUTION	SXGA+
AUTO SIGNAL	ON
FAN CONTROL	NORMAL
P IN P	OFF
FUNC1	P IN P
DVI EDID	EDID2 (PC)
PASSWORD	

▲▼:MENU SELECT
◀▶:CHANGE

LANGUAGE (page 64)

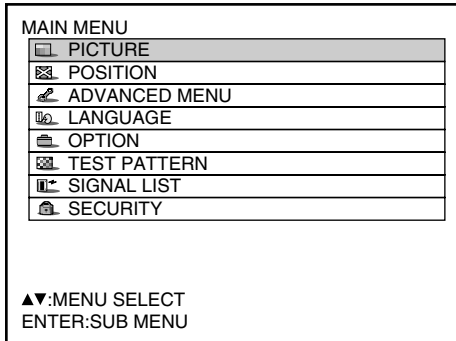
LANGUAGE	
ENGLISH	
DEUTSCH	
FRANÇAIS	
ESPAÑOL	
ITALIANO	
日本語	
中文	
РУССКИЙ	
한국어	

▲▼:SELECT ENTER:SET

On-screen menus

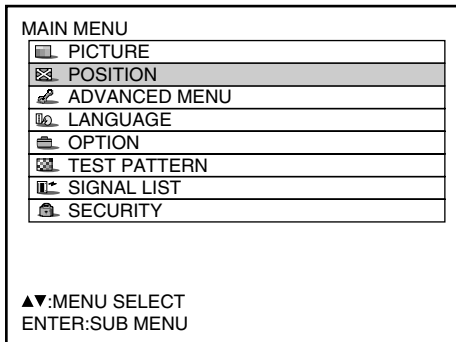
■ Basic operations on menu screen

- ① **Press the “MENU” button.**
The MAIN MENU appears on the screen.



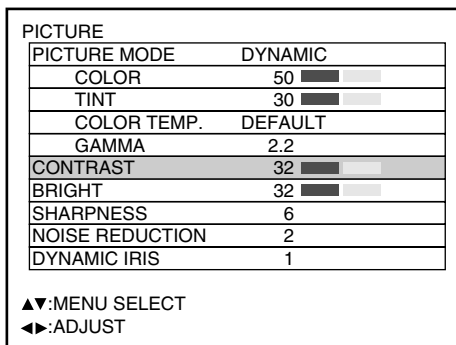
- ② **Select the desired item with the ▼ or ▲ button.**

Selected items are displayed in blue.



- ③ **Press the “ENTER” button to establish your selection.**

The submenu for the selected option will now open. (Example: PICTURE Menu)



- ④ **Highlight the desired adjustment item with the ▼ or ▲ button, then change or adjust the parameter value with the ◀ or ▶ button.**

For the items such as “COLOR”, “TINT”, “CONTRAST” and “BRIGHT”, an individual adjustment screen with an individual bar graph as shown below is displayed by pressing the ENTER button.



- If no button is operated for approx. 5 seconds while the individual adjustment screen is displayed, the screen will return to the previous page.

■ Returning to the previous screen

- When the “MENU” is on the screen, pressing the “MENU” button returns to the previous page.
- When the MAIN MENU is on the screen, pressing the “MENU” button clears all menus from the screen.

■ Menu items shown in gray characters

- Some menu items may not be valid for certain signal formats applied to the projector.
The menu items that cannot be adjusted or used are shown in gray characters, and they cannot be selected.

■ Menu items setting

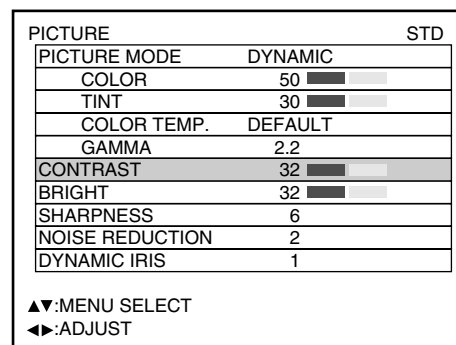
The bottom prompt line differs on each menu depending on the selected menu option:

- A prompt “◀▶ CHANGE” appears when changing the setting.
- A prompt “◀▶ ADJUST” appears for a separate bar graph.
- When ▼ and ▲ buttons are displayed above or under the items in the “OPTION” screen, they indicate that there are more adjustment (items).

■ Resetting to the factory default

STD (standard) button is used to reset all of the projector adjustment values to the default levels which were set at the time of shipment from the factory. It is pressed after the respective adjustment mode screen has been displayed.

- When the Menu screen is displayed:
A “STD” indicator appears on the upper right corner of the menu.



Adjusting the picture

■ Switching the picture mode

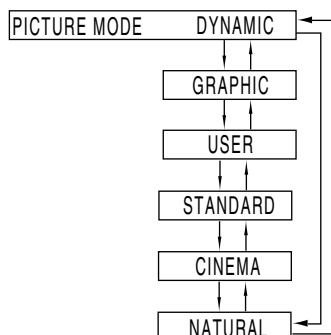
The user can switch to the desired picture mode suitable for the image source and the environment in which this projector is used.

MAIN MENU	
☐	PICTURE
☒	POSITION
☒	ADVANCED MENU
☒	LANGUAGE
☒	OPTION
☒	TEST PATTERN
☒	SIGNAL LIST
☒	SECURITY

▲▼:MENU SELECT
ENTER:SUB MENU

PICTURE	
PICTURE MODE	DYNAMIC
COLOR	50
TINT	30
COLOR TEMP.	DEFAULT
GAMMA	2.2
CONTRAST	32
BRIGHT	32
SHARPNESS	6
NOISE REDUCTION	2
DYNAMIC IRIS	1

▲▼:MENU SELECT
◀▶:CHANGE ENTER:REGISTER



- ① **Press the “MENU” button.**
The MAIN MENU screen will be displayed.
- ② **Select “PICTURE” with the ▲ ▼ buttons.**

- ③ **Press the “ENTER” button.**
The PICTURE screen will be displayed.
- ④ **Select “PICTURE MODE” with the ▲ ▼ buttons.**

- ⑤ **Switch “PICTURE MODE” with the ◀ ▶ buttons.**

DYNAMIC: The picture becomes suitable for the use in well-lighted areas.

GRAPHIC: The picture becomes suitable for input from the personal computer.

USER: The COLOR TEMP. and GAMMA settings can be adjusted.

STANDARD: The picture becomes suitable for moving images in general.

CINEMA: The picture becomes suitable for movie sources.

NATURAL: The picture complies with sRGB.

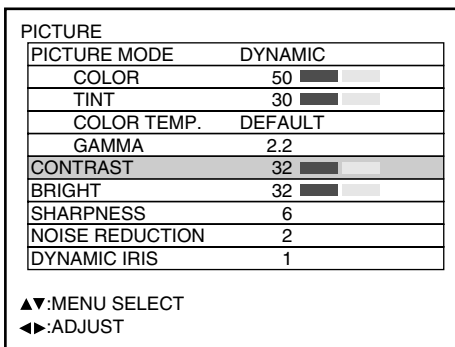
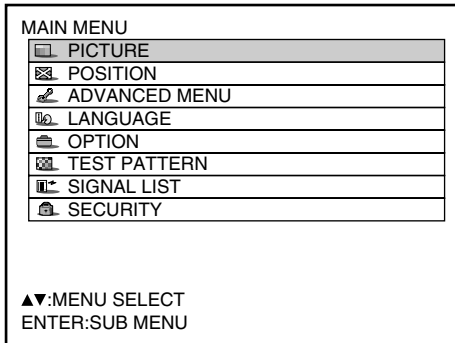
- Factory defaults are “GRAPHIC” for RGB system and “STANDARD” for moving images.
- When the “ENTER” button is pressed while “PICTURE MODE” has been selected, the picture mode which has been selected can be saved and used as the presetting when new signals are input. COLOR TEMP. and GAMMA settings are saved.

Adjusting the picture

The desired picture can be obtained by following the procedure below.

■ Adjusting Contrast / Bright / Color / Tint

Adjustment procedure – to adjust picture (color intensity)



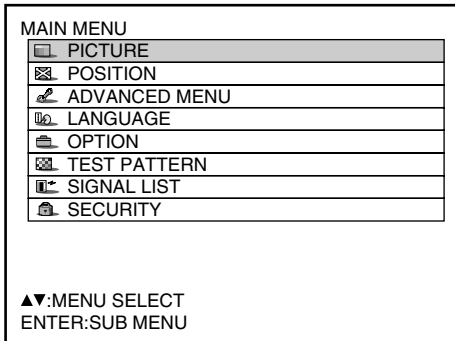
- ① **Press the “MENU” button.**
The MAIN MENU screen will be displayed.
- ② **Select “PICTURE” with the ▲ ▼ buttons.**
- ③ **Press the “ENTER” button.**
The PICTURE screen will be displayed.
- ④ **Select “CONTRAST” with the ▲ ▼ buttons.**
- ⑤ **Press the “ENTER” button.**
The CONTRAST individual adjustment screen will be displayed.
- ⑥ **Adjust the level with the ◀ ▶ buttons.**
The function of the button changes according to the item as shown in the following table:
- ⑦ **Repeat Steps ④, ⑤ and ⑥ to adjust the “BRIGHT”, “COLOR” or “TINT”.**
The individual adjustment screen can be displayed for “CONTRAST” and BRIGHT” by the remote control. Refer to the following table:
- ⑧ **To register the picture mode settings which have been adjusted and use them as the presets, follow the procedure on the next page from step ④.**

Item	Operation	Adjustment	Adjustment range	Remarks
CONTRAST	Press ▶ button	Raises the picture brightness and the picture becomes clearer.	Maximum value 63	Use the CONTRAST button on the remote control.
	Press ◀ button	Lowers the picture brightness and weakens the picture.	Minimum value 0	
BRIGHT	Press ▶ button	Increases the brightness of the dark (black) parts of the screen.	Maximum value 63	Use the BRIGHT button on the remote control.
	Press ◀ button	Reduces the brightness of the dark (black) parts of the screen.	Minimum value 0	
COLOR	Press ▶ button	Deepens colours.	Maximum value 100	
	Press ◀ button	Weakens colours.	Minimum value 0	
TINT	Press ▶ button	Adjusts skin tone toward reddish-purple.	Maximum value 60	
	Press ◀ button	Adjusts skin tone toward greenish color.	Minimum value 0	

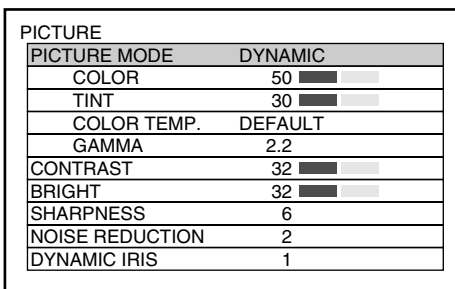
Note • If no button is operated for approx. 5 seconds while the individual adjustment screen is displayed, the screen will return to the “PICTURE” screen.

■ Registering the picture mode settings as presets

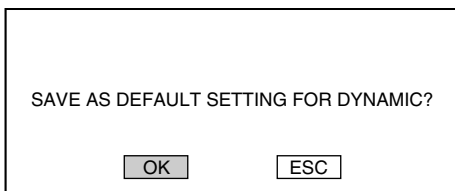
The screen settings which have been adjusted by following the adjustment procedure (on the previous page) can be registered.



- ① **Press the “MENU” button.**
The MAIN MENU screen will be displayed.
- ② **Select “PICTURE” with the ▲ ▼ buttons.**



- ③ **Press the “ENTER” button.**
The PICTURE screen will be displayed.



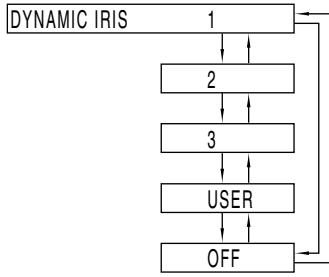
- ④ **Press the “ENTER” button.**
- ⑤ **Select “OK” with the ◀ ▶ buttons.**
- ⑥ **Press the “ENTER” button.**

Note • If the registered picture mode is selected after registering the picture mode settings as presets, the new signals will be displayed with the registered adjustments.

Adjusting the picture

■ DYNAMIC IRIS setting

Pictures with the optimum contrast will be displayed by automatically providing aperture compensation and signal compensation to suit the pictures concerned.



DYNAMIC IRIS	
AUTO IRIS	2
MANUAL IRIS	OFF
DYNAMIC GAMMA	1

▲▼:MENU SELECT
◀▶:CHANGE

- ① Press the ▲ ▼ buttons on the “PICTURE” screen to select “DYNAMIC IRIS”.
- ② Select the "DYNAMIC IRIS" setting with the ◀ ▶ buttons.

Aperture compensation and signal compensation amounts

1: Low, 2: (Intermediate), 3: High
USER: (See below), OFF: No compensation

- ③ To further adjust the selected compensation amount, select “USER” in step ②.
- ④ Press the “ENTER” button.
The DYNAMIC IRIS screen will be displayed.
- ⑤ Select “AUTO IRIS”, “MANUAL IRIS” or “DYNAMIC GAMMA” with the ▲ ▼ buttons.
- ⑥ Adjust the compensation amount with the ◀ ▶ buttons.

AUTO IRIS (Automatic aperture adjustment)

1: Low, 2: (Intermediate), 3: High,
OFF: No automatic compensation

MANUAL IRIS (Fixed aperture adjustment)

OFF: No fixed iris, 1: Low,
2-62: (Intermediate), 63: High

DYNAMIC GAMMA (signal compensation amount adjustment)

1: Low, 2: (Intermediate), 3: High,
OFF: No automatic compensation

Note • The contrast is set to the maximum level when “DYNAMIC IRIS” is set to “3.”

■ Adjusting the color temperature

Adjustment procedure (to be performed while projecting the signals to be adjusted)

MAIN MENU	
PICTURE	
POSITION	
ADVANCED MENU	
LANGUAGE	
OPTION	
TEST PATTERN	
SIGNAL LIST	
SECURITY	

PICTURE	
PICTURE MODE	DYNAMIC
COLOR	50
TINT	30
COLOR TEMP.	DEFAULT
GAMMA	2.2
CONTRAST	32
BRIGHT	32
SHARPNESS	6
NOISE REDUCTION	2
DYNAMIC IRIS	1
▲▼:MENU SELECT	
◀▶:CHANGE	

WHITE BALANCE	
WHITE BALANCE HIGH	
WHITE BALANCE LOW	

WHITE BALANCE HIGH	
R	255
G	255
B	255

- ① Press the “MENU” button.
The MAIN MENU screen will be displayed
 - ② Select “PICTURE” with the ▲ ▼ buttons.
 - ③ Press the “ENTER” button.
The PICTURE screen will be displayed.
 - ④ Select “COLOR TEMP.” with the ▲ ▼ buttons.
 - ⑤ Select the desired setting from below with the ◀ ▶ buttons.
“LOW”, “MIDDLE”, “HIGH”, “DEFAULT”, “USER1” and “USER2”
- <To further adjust toward the desired white balance>
- ⑥ Select “USER1” or “USER2” in Step ⑤.
 - ⑦ Press the “ENTER” button.
 - ⑧ Select “WHITE BALANCE HIGH” or “WHITE BALANCE LOW” with the ▲ ▼ buttons.
 - ⑨ Press “ENTER” button.
The WHITE BALANCE HIGH (LOW) screen will be displayed.
 - ⑩ Select “R”, “G” or “B” with the ▲ ▼ buttons.
 - ⑪ Adjust the level with the ◀ ▶ buttons.

Item	Operation	Adjustment	Remarks
R (Red)	Press ▶ button	Deepens red.	Maximum value 255 Minimum value 0
	Press ◀ button	Weakens red.	
G (Green)	Press ▶ button	Deepens green.	
	Press ◀ button	Weakens green.	
B (Blue)	Press ▶ button	Deepens blue.	
	Press ◀ button	Weakens blue.	

Note

- All colours will not be displayed properly unless adequate adjustment is made.
If the adjustment is not successful, press “STD” (standard) button when the individual adjustment screen is displayed to restore the factory default setting only for the displayed item.
- The color temperature cannot be adjusted for the internal test pattern (refer to page 79). Be sure to project the input signal when adjusting the color temperature.
- When any setting other than “OFF” has been selected for color matching, the COLOR TEMP. setting is fixed at “USER1”
- “DEFAULT” cannot be selected when the picture mode has been set to “USER”

Adjusting the picture

■ Sharpness / Gamma / Noise reduction

Procedure of adjustment

MAIN MENU	
PICTURE	
POSITION	
ADVANCED MENU	
LANGUAGE	
OPTION	
TEST PATTERN	
SIGNAL LIST	
SECURITY	

PICTURE	
PICTURE MODE	DYNAMIC
COLOR	50
TINT	30
COLOR TEMP.	DEFAULT
GAMMA	2.2
CONTRAST	32
BRIGHT	32
SHARPNESS	6
NOISE REDUCTION	2
DYNAMIC IRIS	1
▲▼:MENU SELECT	
◀▶:ADJUST	

- ① Press the “MENU” button.
The MAIN MENU screen will be displayed.
- ② Select “PICTURE” with the ▲ ▼ buttons.
- ③ Press the “ENTER” button.
The PICTURE screen will be displayed.
- ④ Select desired one of the items in the following table with the ▲ ▼ buttons.
- ⑤ Switch the setting with the ◀ ▶ buttons.
Refer to the following table for the items and the details.

Adjustment items	Operation	Adjustment
Sharpness	Sharpens the outline of the image.	0 to 7 for the RGB system and the HD system (factory setting is 2) 0 to 15 for the SD system (factory setting is 6)
Gamma selection	Switches the gamma modes	5 settings: DEFAULT, USER1, USER2, 2.2 and 2.5 (factory setting: DEFAULT)
Noise reduction	Switches the noise reduction effect mode.	Four types: OFF (no correction), 1 (low), 2 (middle), 3 (high) (factory default: 2)

- Note**
- Noise reduction cannot be adjusted with analog RGB input, DVI input or network input.
 - Separate software is required to select “USER1” and “USER2” as the gamma setting. Consult your dealer.

■ To display pictures complying with the sRGB standard

sRGB is the international reproduction standard (IEC61966-2-1) established by IEC (International Electrotechnical Commission).

To reproduce colours more faithfully in compliance with the sRGB standard, perform the following setting procedure.

1. Set color matching adjustment to “OFF”.
2. Press the ▲ ▼ buttons on the “PICTURE” menu and select the “PICTURE MODE”. Set to “NATURAL” with the ◀ ▶ buttons.
3. Select the “COLOR” with the ▲ ▼ buttons.
Press the STD (standard) button on the remote control to restore the factory default. Follow the same procedure to restore the factory default for “TINT”, “COLOR TEMP.” and “GAMMA”.

- Note**
- sRGB is only enable when RGB signals are being input.

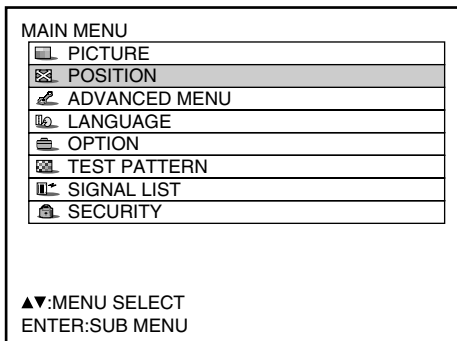
Adjusting the position

Desired position can be achieved by following the procedure below.

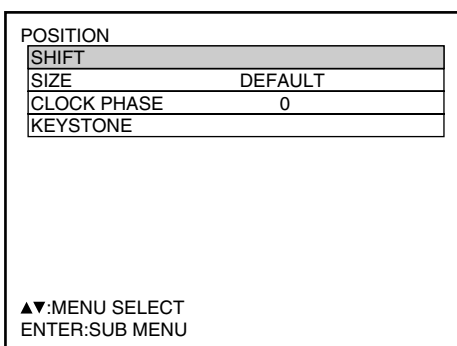
■ Shift adjustment

This function allows the user to adjust the picture position vertically or horizontally if the position of the image projected on the screen is displaced when the projector is properly positioned against the screen.

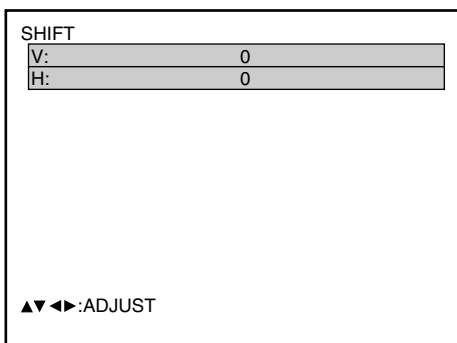
Procedure of adjustment



- ① **Press the “MENU” button.**
The MAIN MENU screen will be displayed
- ② **Select the “POSITION” with the ▲ ▼ buttons.**



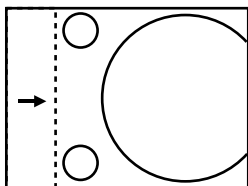
- ③ **Press the “ENTER” button.**
The POSITION screen will be displayed.
- ④ **Select “SHIFT” with the ▲ ▼ buttons.**



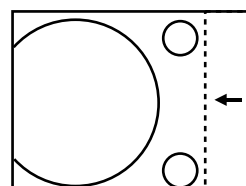
- ⑤ **Press the “ENTER” button.**
The SHIFT screen will be displayed.
- ⑥ **Adjust the position with the ▲ ▼ ◀ ▶ buttons.**
- ⑦ **Press the “MENU” button three times.**
The on-screen indications disappear and the normal screen appears again.

<For horizontal (right and left) adjustment>

Pressing ► button will move the image to the right.

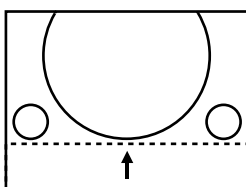


Pressing ◀ button will move the image to the left.

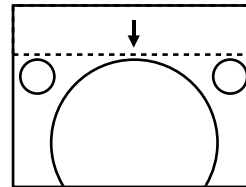


<For vertical (up and down) adjustment>

Pressing ▲ button will move the image upward.



Pressing ▼ button will move the image downward.



Adjusting the position

■ Size adjustment

Procedure of adjustment

MAIN MENU	
PICTURE	
POSITION	
ADVANCED MENU	
LANGUAGE	
OPTION	
TEST PATTERN	
SIGNAL LIST	
SECURITY	

▲▼:MENU SELECT
ENTER:SUB MENU

POSITION	
SHIFT	
SIZE	DEFAULT
CLOCK PHASE	0
KEYSTONE	

▲▼:MENU SELECT
◀▶:CHANGE ENTER:SUB MENU

ZOOM	
INTERLOCKED:	OFF
V:	100 %
H:	100 %
HV:	100 %

▲▼:MENU SELECT
◀▶:CHANGE

- ① **Press the “MENU” button.**
The MAIN MENU screen will be displayed.
- ② **Select the “POSITION” with the ▲ ▼ buttons.**
- ③ **Press the “ENTER” button.**
The POSITION screen will be displayed.
- ④ **Select “SIZE” with the ▲ ▼ buttons.**
- ⑤ **Using the ◀ ▶ buttons, select the size mode.**
For details on the size mode, refer to the next page.
- ⑥ **Press the “ENTER” button.**
The SIZE adjustment screen will be displayed.
- ⑦ **Select the desired item with the ▲ ▼ buttons.**
- ⑧ **Adjust with the ◀ ▶ buttons.**

Note • If “THROUGH” is selected in the size mode, the individual adjustment screen is not displayed.

Size modes

- **DEFAULT:** Pictures are displayed without changing the aspect ratio of the input signals.
- **THROUGH:** Pictures are displayed without changing the resolution of the input signals.
- **ZOOM:** Pictures can be displayed in various magnifications. The user can magnify the pictures with the magnification ranging from 50% to 999%, and the fiducial point is set on the top left of the screen.
- **16:9 (D7700U only):** Pictures are displayed in the aspect ratio of 16:9.
- **4:3 (DW7000U only):** Pictures are displayed in the aspect ratio of 4:3.
- **S4:3 (D7700U only):** Pictures are scaled down to 75% of the original size without changing the aspect ratio of the input signals. This mode is used when projecting the 4:3 pictures on the 16:9 screen.
- **H FIT (DW7000U only):** Pictures are displayed using all the panel pixels in the horizontal direction.
Signals with an aspect ratio where the pictures are taller than with a ratio of 16:9 will be displayed with their bottom areas cut off.
- **HV FIT:** Pictures are displayed on the whole panel pixels.
If the aspect ratio of the input signals is different from that of the panel, the pictures are displayed by converting it into the panels aspect ratio (4:3 for PT-D7700U and 16:9 for PT-DW7000U).
- **VID AUTO:** The projector identifies the video ID (VID) embedded in the picture signals and displays the picture by automatically switching the screen sizes between 4:3 and 16:9.
This function is effective for the video and S-video input.
- **S1 AUTO:** The projector identifies the S1 signal and displays the picture by automatically switching the screen sizes between 4:3 and 16:9.
This function is effective for the S-video input.
- **VID AUTO (PRIORITY):** The projector identifies the abovementioned VID or S1 signals and displays the picture by automatically choosing the screen sizes of 4:3 or 16:9 according to the VID if it is detected or S1 signals if a VID is not detected.
This function is effective for the S-video input.

Note Some size modes are not available for certain types of input signals.

- For RGB1 and RGB2 input signals: VID AUTO, S1 AUTO or VID AUTO (PRIORITY) cannot be selected.
- For VIDEO input signals: DEFAULT, S1 AUTO or VID AUTO (PRIORITY) cannot be selected.
- For an NTSC signal with VIDEO or S-VIDEO input: DEFAULT cannot be selected.

■ Clock phase adjustment

Clock phase adjustment achieves the best image when the screen flickers or halo is observed around the contour.

Procedure of adjustment

MAIN MENU	
PICTURE	
POSITION	
ADVANCED MENU	
LANGUAGE	
OPTION	

POSITION	
SHIFT	
SIZE	DEFAULT
CLOCK PHASE	0
KEystone	

- ① **Press the “MENU” button.**
The MAIN MENU screen will be displayed
- ② **Select the “POSITION” with the ▲ ▼ buttons.**
- ③ **Press the “ENTER” button.**
The POSITION screen will be displayed
- ④ **Select “CLOCK PHASE” with the ▲ ▼ buttons.**
- ⑤ **Adjust the clock phase with the ◀ ▶ buttons.**
The value changes from 0 to 31.

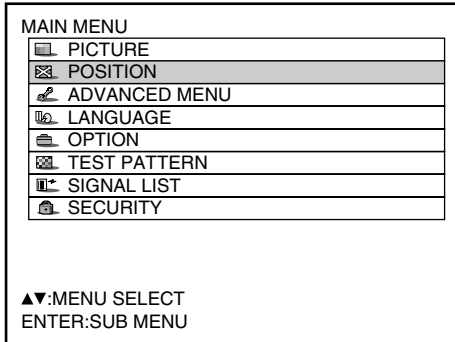
- Note**
- No optimal value may be obtained if the output of the PC to which the signal input is applied is unstable.
 - No optimal value may be obtained if the total number of dots is not correct.
 - The clock phase can be adjusted only when RGB signal input is applied with RGB1 and RGB2 IN.

Adjusting the position

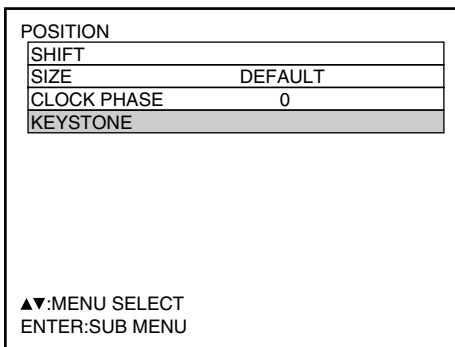
■ Keystone distortion correction

Keystone distortion can be corrected only along either horizontal bound of the picture.

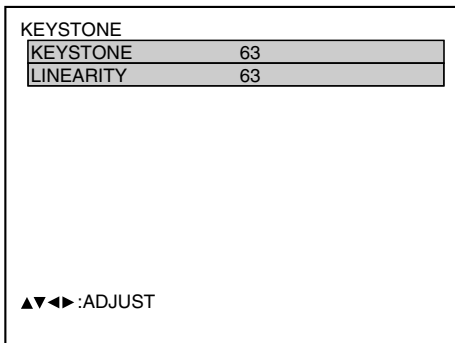
Procedure of adjustment



- ① Press the “MENU” button.
The MAIN MENU screen will be displayed.
- ② Select the “POSITION” with the ▲ ▼ buttons.



- ③ Press the “ENTER” button.
The POSITION screen will be displayed.
- ④ Select “KEYSTONE” with the ▲ ▼ buttons.



- ⑤ Press the “ENTER” button.
The KEYSTONE screen will be displayed.
- ⑥ Adjust the “KEYSTONE” horizontally with the ◀ ▶ buttons.
The value changes from 0 to 127.
- ⑦ Adjust the vertical “LINEARITY” with the ▲ ▼ buttons.
The value changes from 0 to 127.

- Note**
 - Adjust the “LINEARITY” after adjusting the “KEYSTONE”.
The variable range of the “LINEARITY” changes in response to the adjusted value of the “KEYSTONE”.
 - Pressing STD (standard) button of the remote control will restore the factory default (“KEYSTONE”: 63, “LINEARITY”: 63).
 - The adjusted value is reflected in other input signals.
 - Keystone distortion can be corrected to $\pm 40^\circ$ of the angle of tilt for the projector against the screen. (The range for the angle of elevation is within $\pm 19^\circ$ when using a lens with a fixed focal point, and it is within $\pm 34^\circ$ when using an LE1 lens.)

How to use ADVANCED MENU

■ DIGITAL CINEMA REALITY

Increase the vertical resolution when the PAL (or SECAM) 576i signal input or the NTSC 480i signal input is applied.

Procedure of adjustment

MAIN MENU	
PICTURE	
POSITION	
ADVANCED MENU	
LANGUAGE	
OPTION	

ADVANCED MENU	
DIGITAL CINEMA REALITY	AUTO
FORMAT	SMPTE
BLANKING	
INPUT RESOLUTION	
CLAMP POSITION	
EDGE BLENDING	OFF
SYNC.TERM	75 Ω
RASTER POSITION	

- ① **Press the “MENU” button.**
The MAIN MENU screen will be displayed.
- ② **Select “ADVANCED MENU” with the ▲ ▼ buttons.**
- ③ **Press “ENTER” button.**
The ADVANCED MENU screen will be displayed.
- ④ **Select “DIGITAL CINEMA REALITY” with the ▲ ▼ buttons.**
OFF: Unforced cinema processing
AUTO: Performs automatic detection and cinema processing. (factory default)
30p FIXED: Forced cinema processing (2:2 pulldown) is performed when a 480i signal is input.
25p FIXED: Forced cinema processing (2:2 pulldown) is performed when a 576i signal is input.

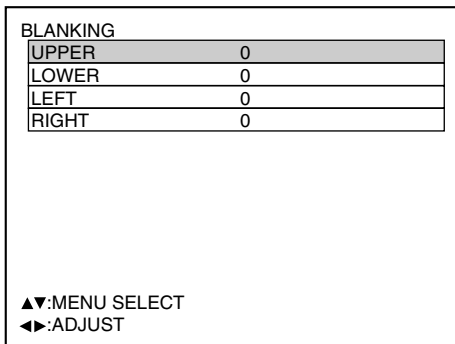
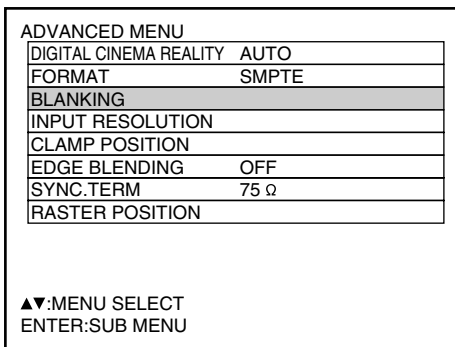
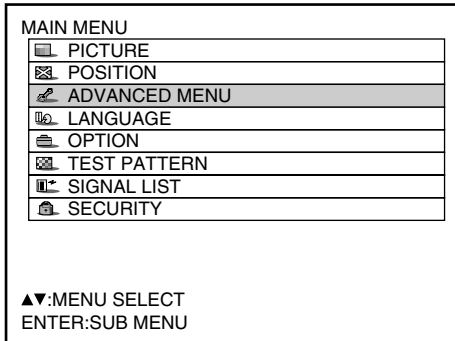
Note • In DIGITAL CINEMA REALITY mode, the image quality will be deteriorated if 30p FIXED or 25p FIXED is selected when the signal is not a 2:2 pulldown signal.

How to use ADVANCED MENU

■ Blanking adjustment

Blanking adjustment fine-tunes the images projected by the video deck or other devices when the noise appears on the edges of the screen or if a part of the image lies slightly offscreen.

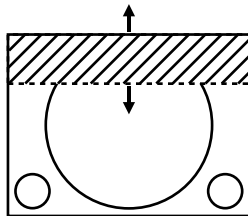
Procedure of adjustment



- ① **Press the “MENU” button.**
The MAIN MENU screen will be displayed.
- ② **Select the “ADVANCED MENU” with the ▲ ▼ buttons.**
- ③ **Press the “ENTER” button.**
The ADVANCED MENU screen will be displayed.
- ④ **Select “BLANKING” with the ▲ ▼ buttons.**
- ⑤ **Press the “ENTER” button.**
The BLANKING adjustment screen will be displayed.
- ⑥ **Select the desired item for adjustment with the ▲ ▼ buttons.**
- ⑦ **Adjust blanking with the ◀ ▶ buttons.**
The value changes from 0 to 511.

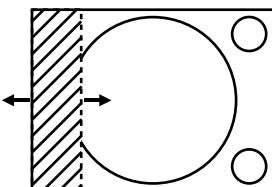
<When correcting the upper blanking of the screen (top) >

Press ◀ button to move the blanking zone upward; ▶ button to downward.



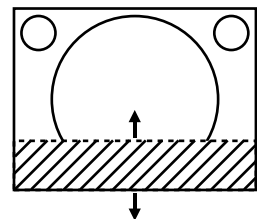
<When correcting the left hand blanking of the screen (left) >

Press ▶ button to move the blanking zone to the right; ◀ button to the left.



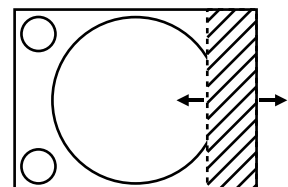
<When correcting the lower blanking of the screen (bottom) >

Press ▶ button to move the blanking zone upward; ◀ button to downward.



<When correcting the right hand blanking of the screen (right) >

Press ◀ button to move the blanking zone to the right; ▶ button to the left.



■ Adjusting the input resolution

Input resolution adjustment achieves the best image when the screen flickers or halo is observed around the contour.

Procedure of adjustment

MAIN MENU	
PICTURE	
POSITION	
ADVANCED MENU	
LANGUAGE	
OPTION	
TEST PATTERN	
SIGNAL LIST	
SECURITY	

▲▼:MENU SELECT
ENTER:SUB MENU

ADVANCED MENU	
DIGITAL CINEMA REALITY	AUTO
FORMAT	SMPTE
BLANKING	
INPUT RESOLUTION	
CLAMP POSITION	
EDGE BLENDING	OFF
SYNC.TERM	75 Ω
RASTER POSITION	

▲▼:MENU SELECT
ENTER:SUB MENU

INPUT RESOLUTION	
TOTAL DOTS	1056
DISPLAY DOTS	832
TOTAL LINES	666
DISPLAY LINES	624

▲▼:MENU SELECT
◀▶:ADJUST

- ① **Press the “MENU” button.**
The MAIN MENU screen will be displayed.
- ② **Select the “ADVANCED MENU” with the ▲ ▼ buttons.**
- ③ **Press the “ENTER” button.**
The ADVANCED MENU screen will be displayed.
- ④ **Select “INPUT RESOLUTION” with the ▲ ▼ buttons.**
- ⑤ **Press the “ENTER” button.**
The INPUT RESOLUTION screen will be displayed.
- ⑥ **Select one of the following items with the ▲ ▼ buttons and adjust it with the ◀ ▶ buttons.**
“TOTAL DOTS”, “DISPLAY DOTS”, “TOTAL LINES” and “DISPLAY LINES”
Each item automatically displays a value in response to the type of the input signal. If vertical stripes appear on the screen or the image is partly missing, increase or decrease the displayed value while observing the screen to achieve the optimal value.

Note

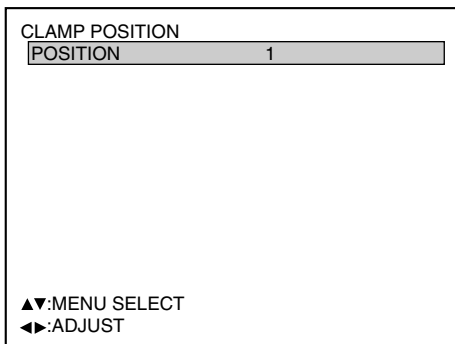
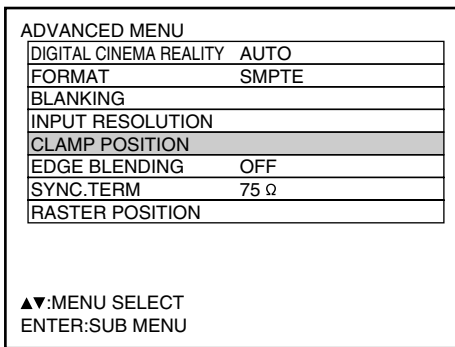
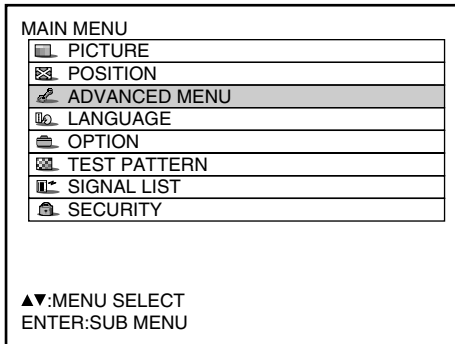
- The abovementioned vertical stripes will not appear on the screen when all signals are input.
- The picture may be distorted during the adjusting operation, but this is not a fault.
- The input resolution can be adjusted only when RGB signal input is applied with RGB1 and RGB2 IN.

How to use ADVANCED MENU

■ Adjusting the clamp position

Use the clamp position adjustment to achieve the optimal value when dark areas of the image are crushed or displayed in green.

Procedure of adjustment



- ① **Press the “MENU” button.**
The MAIN MENU screen will be displayed.
- ② **Select “ADVANCED MENU” with the ▲ ▼ buttons.**
- ③ **Press the “ENTER” button.**
The ADVANCED MENU screen will be displayed.
- ④ **Select “CLAMP POSITION” with the ▲ ▼ buttons.**
- ⑤ **Press the “ENTER” button.**
The CLAMP POSITION screen will be displayed.
- ⑥ **Adjust with the ◀ ▶ buttons.**
The value changes from 1 to 255.

The optimal value for the clamp position adjustment

- If dark areas are crushed: → The optimal value is the point where the dark area is best improved.
- If the dark areas are displayed in green: → The optimal value is the point where the green area becomes dark and clear.

Note • The clamp position can be adjusted only when the RGB signal input is applied with RGB1 and RGB2 IN.

■ Edge blending adjustment

This projector has the function to hide the seams for multi-screens.

Procedure of adjustment

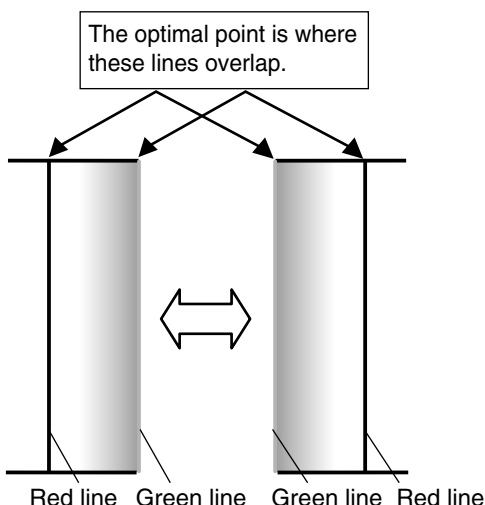
MAIN MENU	
PICTURE	
POSITION	
ADVANCED MENU	
LANGUAGE	
OPTION	
TEST PATTERN	
SIGNAL LIST	
SECURITY	

ADVANCED MENU	
DIGITAL CINEMA REALITY	AUTO
FORMAT	SMPTE
BLANKING	
INPUT RESOLUTION	
CLAMP POSITION	
EDGE BLENDING	ON
SYNC.TERM	75 Ω
RASTER POSITION	

▲▼:MENU SELECT
◀▶:CHANGE ENTER:SUB MENU

EDGE BLENDING		
UPPER	START	0
OFF	WIDTH	128
LOWER	START	0
OFF	WIDTH	128
LEFT	START	0
OFF	WIDTH	128
RIGHT	START	0
OFF	WIDTH	128
MARKER		OFF
BRIGHT ADJUST		

▲▼:MENU SELECT
◀▶:ADJUST ENTER:CHANGE



- ① **Press the “MENU” button.**
The MAIN MENU screen will be displayed.
- ② **Select the “ADVANCED MENU” with the ▲ ▼ buttons.**
- ③ **Press the “ENTER” button.**
The ADVANCED MENU screen will be displayed.
- ④ **Select “EDGE BLENDING” with the ▲ ▼ buttons.**
- ⑤ **Select “OFF”, “ON” or “USER” with the ◀ ▶ buttons.**
OFF: When the multi-screens are not going to be used.
ON: When the tilting inside the unit is to be used for the tilting of the edge blending area.
USER: When a specific tilting is to be used for the tilting of the edge blending area.
(Separate software is required to establish these settings. Consult your dealer.)
- ⑥ **Press the “ENTER” button.**
The EDGE BLENDING screen will be displayed.
- ⑦ **Specify the area to be adjusted with the ▲ ▼ buttons.**
To joint the top: set “UPPER” to “ON”.
To joint the bottom: set “LOWER” to “ON”.
To joint the left: set “LEFT” to “ON”.
To joint the right: set “RIGHT” to “ON”.
- ⑧ **Press the “ENTER” button to toggle “ON” and “OFF”.**
- ⑨ **Adjust the compensation width and start position with the ◀ ▶ buttons.**
<To display the adjustment marker>
- ⑩ **Select “MARKER” with the ▲ ▼ buttons.**
- ⑪ **Select “ON” with the ENTER buttons.**

(Continued on next page)

Note

Adjustment marker

When the “MARKER” is set to “ON”, the image position adjustment marker is displayed.

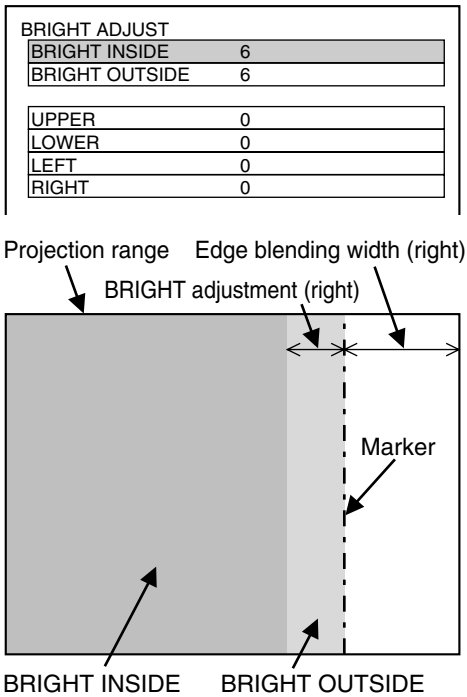
The optimal point is the position where the red line of one frame overlaps the green line of the other frame.

Notice:

The correction widths of the jointed frames must be the same value all the time.

The optimal joint cannot be achieved if the jointed frames have different correction widths.

■ Edge blending adjustment (continuing)



- ⑫ Select the “BRIGHT ADJUST” with the ▲ ▼ buttons.
- ⑬ Press the ENTER button.
The BRIGHT ADJUST screen will be displayed.
- ⑭ Select the “BRIGHT INSIDE” with the ▲ ▼ buttons.
- ⑮ Adjust the compensation value (0-255) with the ◀ ▶ buttons.
- ⑯ Select the part of Upper, Lower, Right, Left with ▲ ▼ buttons.
- ⑰ With the ◀ ▶ buttons, adjust the width (0 to 255) where no BRIGHT INSIDE compensation is to be provided.
- ⑱ Select the "BRIGHT OUTSIDE" with the ▲ ▼ buttons.
- ⑲ Adjust the compensation value (0-255) with the ◀ ▶ buttons.

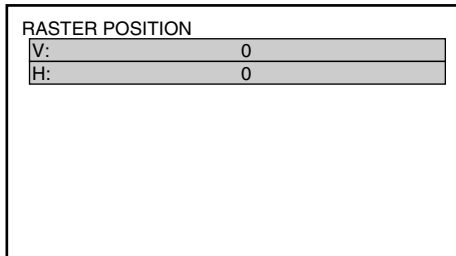
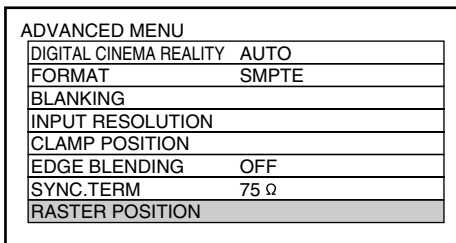
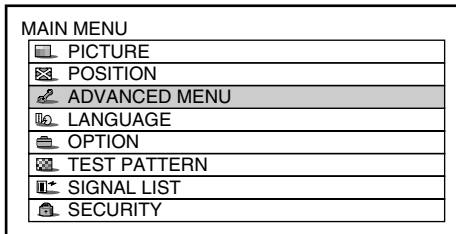
Note

- The BRIGHT adjustment is a function for making the brightening of the BRIGHT level in those areas where the pictures overlap less conspicuous when multi-screens have been configured using edge blending. The optimal point is where, after the BRIGHT INSIDE has been adjusted, the compensation amount is the same for the BRIGHT levels in the areas where the pictures overlap and where the pictures do not overlap. If, after the BRIGHT INSIDE adjustment, only the vicinity of the borders of the areas where the pictures overlap and where the pictures do not overlap becomes bright, proceed to adjust the top, bottom, left and right widths. Alternatively, if only the vicinity of the borders has darkened as a result of the width adjustments, proceed with the BRIGHT OUTSIDE adjustment.
- When a rear screen or screen with a high gain is used, the joints may appear to be discontinuous depending on the viewing position.

■ Raster position

When the whole area where the input picture can be displayed is not used, the picture can be moved to any position inside the display area.

Procedure of adjustment

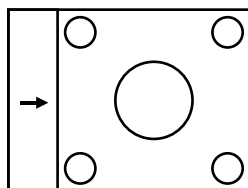


- ① **Press the “MENU” button.**
The MAIN MENU screen will be displayed.
- ② **Select “ADVANCED MENU” with the ▲ ▼ buttons.**
- ③ **Press “ENTER” button.**
The ADVANCED MENU screen will be displayed.
- ④ **Select “RASTER POSITION” with the ▲ ▼ buttons.**
- ⑤ **Press the “ENTER” button.**
The RASTER POSITION screen will be displayed.
- ⑥ **Adjust the position with the ▲, ▼, ◀ and ▶ buttons.**
- ⑦ **Press the “MENU” button three times.**
The on-screen indications disappear and the normal screen appears again.

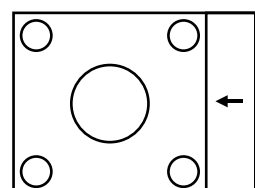
● PT-D7700U

<When 5:4 pictures are displayed (when SXGA signals are input)>

Pressing ▶ button will move the image to the right.

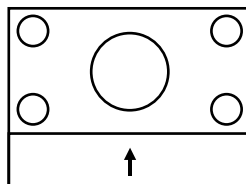


Pressing ◀ button will move the image to the left.

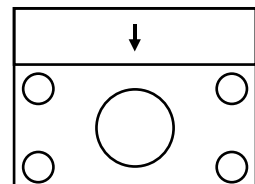


<When 16:9 pictures are displayed (when HDTV or 480p pictures are input or 16:9 is selected in the SIZE mode)>

Pressing ▲ button will move the image upward.



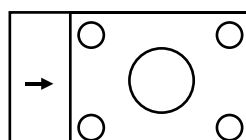
Pressing ▼ button will move the image downward.



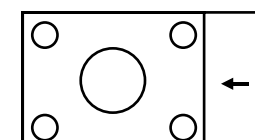
● PT-DW7000U

<When 4:3 pictures are displayed>

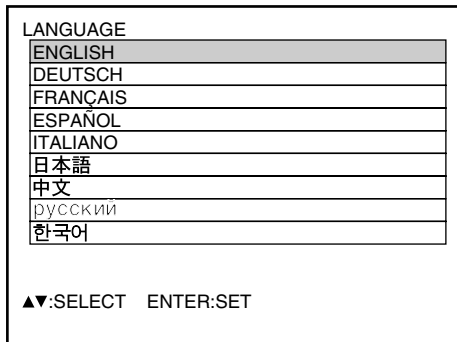
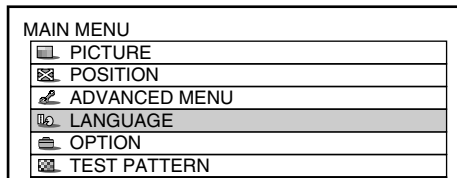
Pressing ▶ button will move the image to the right.



Pressing ◀ button will move the image to the left.



Changing the display language



- ① **Press the “MENU” button.**
The MAIN MENU screen will be displayed.
- ② **Select the “LANGUAGE” with the ▲ ▼ buttons.**
- ③ **Press the “ENTER” button.**
The LANGUAGE screen will be displayed.
- ④ **Select the desired language with the ▲ ▼ buttons.**
- ⑤ **Press the “ENTER” button to establish your selection.**
When this is selected, the language display will turn a light green.
Menus, setting items, adjustment screens, and control button names will be displayed in the language the user chooses.
The available languages are: English, German (DEUTSCH), French (FRANÇAIS), Spanish (ESPAÑOL), Italian (ITALIANO), Japanese (日本語), Chinese (中文), Russian (русский) and Korean (한국어).

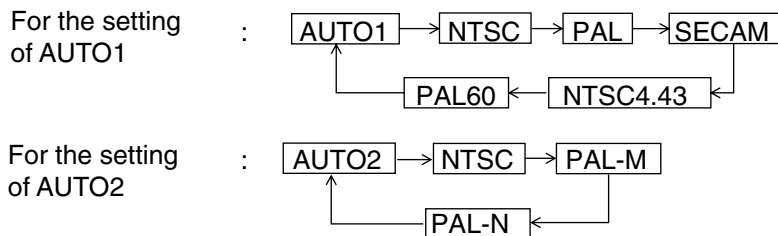
Note • The on-screen display of the projector is set to the English language on shipping.

How to change the system format

Pressing the SYSTEM SELECTOR button on the remote control or using the menu screen operation (page 83) enables the user to make the following changes depending on S Video / Video input or the currently selected input module.

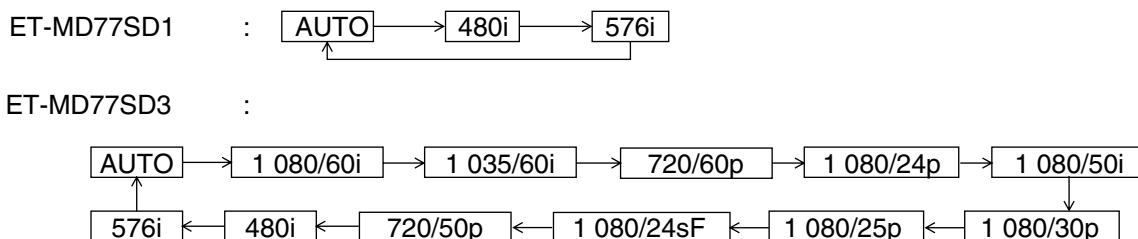
The name of the selected system such as RGB, YPBPR and AUTO is displayed on the top left of the screen and disappears automatically.

S video / Video terminal input signal



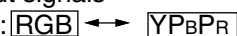
- ※ "AUTO 1": Selection is automatically made out of NTSC, PAL, SECAM, NTSC4.43 and PAL60.
- ※ "AUTO 2": Selection is automatically made out of NTSC, PAL-M and PAL-N.

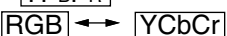
Input module



- ※ When the STD (standard) button is pressed while changing the system mode (with the SYSTEM SELECTOR), the projector automatically returns to AUTO1, AUTO2, or AUTO.

RGB1/RGB2 terminal input signals

For 720p, 1 080i input: 

For 480i, 576i, 480p, 576p input: 

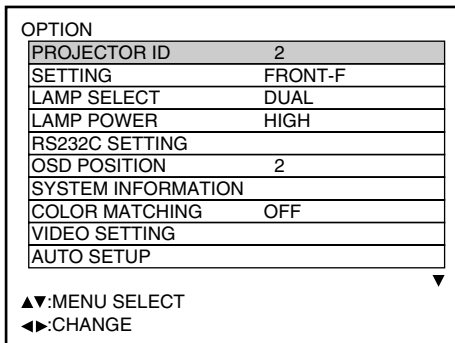
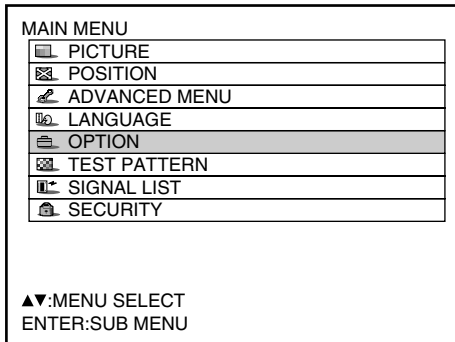
For the signals other than those above, SYSTEM SELECTOR button is invalid.

Option settings

■ ID number setting

The projector has an ID number setting function that helps the user to control two or more projectors either simultaneously or separately with a single remote control. **The ID number is set to "ALL" by default. Hence the ID number need not be set when only one projector is used.**

Procedure of setting

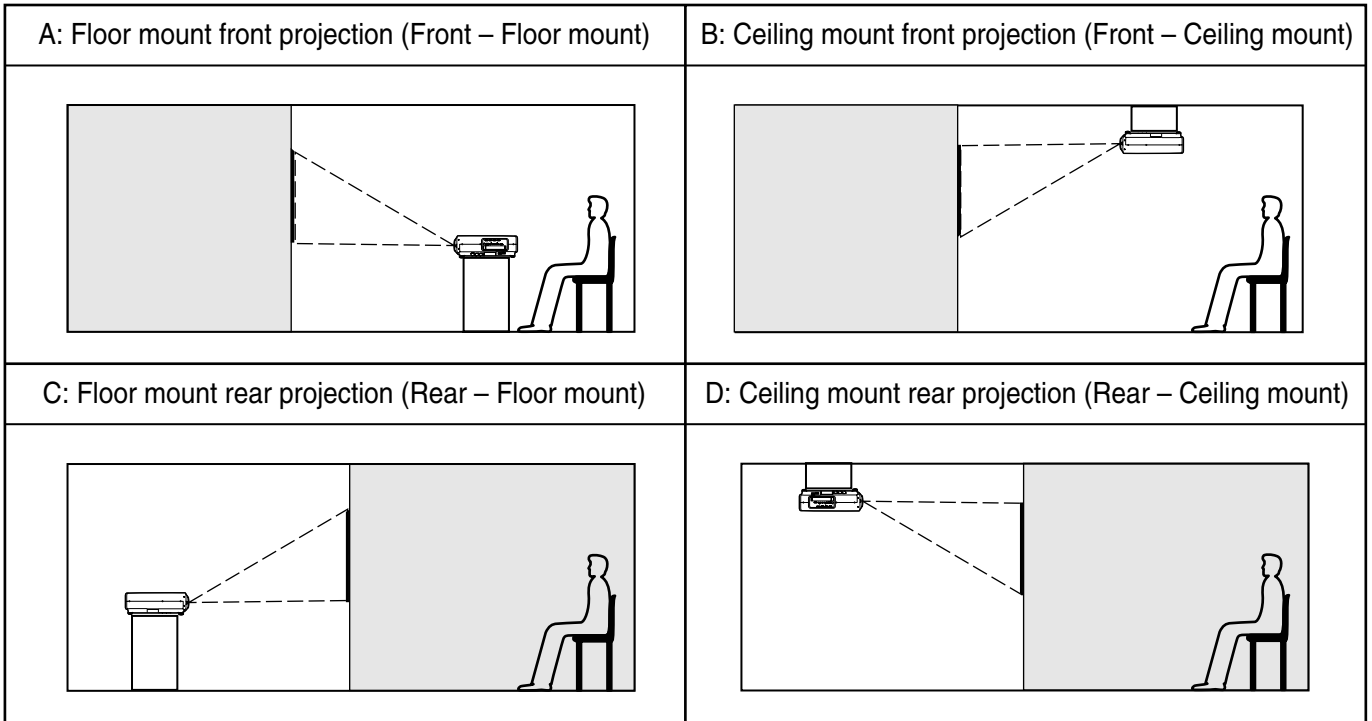


- ① **Press the "MENU" button.**
The MAIN MENU screen will be displayed.
- ② **Select "OPTION" with the ▲ ▼ buttons.**
- ③ **Press the "ENTER" button.**
The OPTION screen will be displayed.
- ④ **Select "PROJECTOR ID" with ▲ ▼ buttons and change the value with ◀ ▶ buttons (ALL, 1, 2, ...64).**
- ⑤ **Press the "MENU" button twice.**
This concludes the setting procedure and the on-screen indications disappear and the normal screen appears again.

- Note**
- The ID number can be set to "ALL", or selected from "1" to "64".
 - If the projectors are given ID numbers, their remote controls must be assigned the same ID numbers, respectively.
 - If the ID number of a projector is set to "ALL", it can be controlled by the remote control or the PC with any ID number.
If multiple projectors are used and some of them have their IDs set to "ALL", they cannot be controlled separately from the projectors with other ID numbers.
For details on remote control ID setting, see page 16.

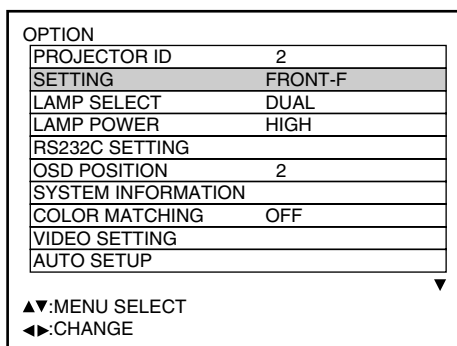
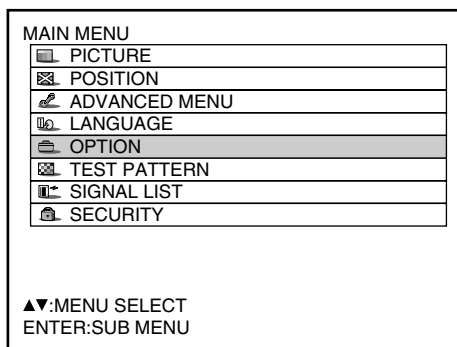
■ Installation Setting

A projection scheme can be chosen depending on the installation of the projector. If the picture is shown upside down or in reverse, change the projection scheme using the following figures A to D.



Select the setting by displaying the on-screen indications using buttons of the remote control or the control panel on the main unit.

Procedure of setting



① Press the “MENU” button.
The MAIN MENU screen will be displayed.

② Select “OPTION” with the ▲ ▼ buttons.

③ Press the “ENTER” button.
The OPTION screen will be displayed.

④ Select “SETTING” with the ▲ ▼ buttons and choose a projection scheme with the ◀ ▶ buttons.

Each time ◀ or ▶ button is pressed, the types of projection scheme, together with its indications, are toggled through a cycle as follows:

FRONT-F ↔ FRONT-C



REAR-C ↔ REAR-F

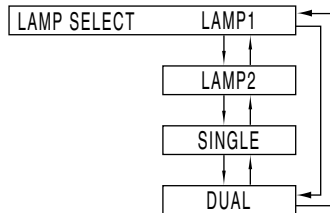
⑤ Press the “MENU” button twice.
The on-screen indications disappear and the normal screen appears again.

Option settings

■ Lamp select

Two internal lamps in the projector can be used either in “DUAL” or “SINGLE” mode depending on user's needs or viewing conditions.

In the “SINGLE” mode, the projector may automatically switches between one lamp and the other, or one of the lamps can be specified.



“LAMP 1”: One lamp illuminates.

(Lamp Unit 1 is always used)

“LAMP 2”: One lamp illuminates.

(Lamp Unit 2 is always used)

“SINGLE”: One of the lamps illuminates.

(The lamp with shorter operating hours is automatically selected)

“DUAL”: Two lamps illuminate.

Note

- If any of “SINGLE”, “LAMP 1” and “LAMP 2” has been selected, when a currently lit lamp expires, or is turned off due to the elapsed time of lamp lighting exceeding 1500* hours (with the lamp output set at “HIGH”), the other lamp will be turned on.

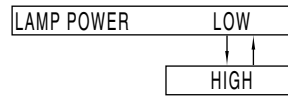
If “DUAL” has been selected, when either of the two lamps expires, or is turned off due to the elapsed time of lamp lighting exceeding 1500* hours, the other lamp with elapsed time not exceeding 1500* hours continues lighting. Further, if the elapsed time exceeds 1500* hours for both lamps, the projector will enter a standby state.

- If only one lamp is mounted, select “LAMP 1” or “LAMP 2” according to the relevant lamp unit. In “LAMP 1” or “LAMP 2” mode, if the corresponding lamp is not installed, the other lamp will turn on.
- If the lamp selection is changed, picture is muted during lamp switching execution. (7-25 sec.)

* This time period is 4 000 hours when Long Life Lamp Units (page 100) are used.

■ Lamp power

The luminance of the projection lamp can be changed depending on user's needs or the viewing conditions.



“LOW”: Set when high brightness is not necessary.

“HIGH”: Set when high brightness is necessary.

Note

- When set to “LOW”, it is possible to reduce power consumption, reduce operating noise and extend lamp service life.
- “LOW” is set automatically when Long Life Lamp Units are used.

■ RS232C SETTING (Procedure of setting communication conditions)

- ① Press the “MENU” button.
The MAIN MENU screen will be displayed.
- ② Press ▲ and ▼ buttons to select “OPTION”.

MAIN MENU	
PICTURE	
POSITION	
ADVANCED MENU	
LANGUAGE	
OPTION	
TEST PATTERN	
SIGNAL LIST	
SECURITY	

▲▼:MENU SELECT
ENTER:SUB MENU

- ③ Press the “ENTER” button.
The OPTION screen will be displayed.
- ④ Press ▲ and ▼ buttons to select “RS232C SETTING”.

OPTION	
PROJECTOR ID	2
SETTING	FRONT-F
LAMP SELECT	DUAL
LAMP POWER	HIGH
RS232C SETTING	
OSD POSITION	2
SYSTEM INFORMATION	
COLOR MATCHING	OFF
VIDEO SETTING	
AUTO SETUP	

▲▼:MENU SELECT
ENTER:SUB MENU

- ⑤ Press the “ENTER” button.
The RS232C SETTING screen will be displayed.

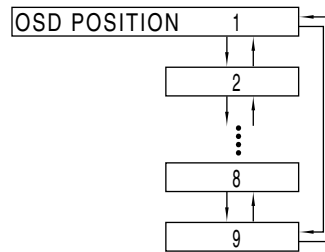
RS232C SETTING	
(IN) BAUDRATE	38400
(IN) PARITY	EVEN
(OUT) BAUDRATE	38400
(OUT) PARITY	EVEN
VPS SYSTEM	MASTER
GROUP	A
	MASTER

▲▼:MENU SELECT
◀▶:CHANGE

- ⑥ Press ▲ and ▼ buttons to select communication conditions
- ⑦ Press ◀ and ▶ buttons to confirm the setting.
- ⑧ Press the “MENU” button three times.
The on-screen indications disappear, and the system returns to the normal screen.

■ Position of on-screen indications

The user can specify the position of the on-screen indications



- “1”: Top left of the screen
- “2”: Left center of the screen
- “3”: Bottom left of the screen
- “4”: Top center of the screen
- “5”: Center of the screen
- “6”: Bottom center of the screen
- “7”: Top right of the screen
- “8”: Right center of the screen
- “9”: Bottom right of the screen

■ System information

Displays the system information of the projector.

SYSTEM INFORMATION		
ROM VERSION:		1.00
SET RUNTIME:		1200h
LAMP1	TYPE:	LAD7700
	LOW:	300h
	HIGH:	0h
	TOTAL:	300h
LAMP2	TYPE:	LAD7700
	LOW:	300h
	HIGH:	0h
	TOTAL:	300h

ENTER: NEXT

- Pressing the “ENTER” button will move on to the next page.

SYSTEM INFORMATION	
ON COUNT	
POWER ON TIMES:	100
LAMP 1 ON:	50(1)
LAMP 2 ON:	50(1)
AUX:	MD77DV: DN
NUMBER OF ENTRY SIGNAL:	1/64

ENTER: NEXT

Option settings

■ Adjusting color matching

When multiple sets are used simultaneously, this projector allows the user to correct the difference of colours among the sets.

Procedure of adjustment

MAIN MENU	
PICTURE	
POSITION	
ADVANCED MENU	
LANGUAGE	
OPTION	
TEST PATTERN	
SIGNAL LIST	
SECURITY	

OPTION	
PROJECTOR ID	2
SETTING	FRONT-F
LAMP SELECT	DUAL
LAMP POWER	HIGH
RS232C SETTING	
OSD POSITION	2
SYSTEM INFORMATION	
COLOR MATCHING	3COLORS
VIDEO SETTING	
AUTO SETUP	
▲▼:MENU SELECT ◀▶:CHANGE ENTER:SUB MENU	

COLOR MATCHING:3COLORS	
R	
G	
B	
AUTO TESTPATTERN	OFF

3COLORS:R	
R	2048
G	0
B	0
▲▼:MENU SELECT ◀▶:ADJUST	

- ① **Press the “MENU” button.**
The MAIN MENU screen will be displayed.
- ② **Select “OPTION” with the ▲ ▼ buttons.**
- ③ **Press “ENTER” button.**
The OPTION screen will be displayed.
- ④ **Select “COLOR MATCHING” with the ▲ ▼ buttons.**
- ⑤ **Select “3COLORS” with the ◀ ▶ buttons.**
- ⑥ **Press the “ENTER” button.**
- ⑦ **Select “R”, “G” and “B” with the ▲ ▼ buttons.**
- ⑧ **Press “ENTER” button.**
- ⑨ **Adjust the values with the ◀ ▶ buttons.**
These values can be adjusted from 0 to 2048.

Note • When “7COLORS” is selected in step ⑤, it is possible to adjust the 7colours of “R”, “G”, “B”, “Cy”, “Mg”, “Ye” and “Wh”.

Note

Adjustment

- The effects of correcting the adjustment color.
When tuning the correction color that is the same as the adjustment color: the brightness of the adjustment color changes.
When tuning the correction color RED: RED is added to or reduced from the adjustment color.
When tuning the correction color GREEN: GREEN is added to or reduced from the adjustment color.
When tuning the correction color BLUE: BLUE is added to or reduced from the adjustment color.
- This adjustment should be carried out by a person who is familiar with the projector or by a service person because a high level of skill is required to make successful adjustment.
- Pressing the “STD” (standard) button will restore the factory defaults for all items.
- When any setting other than “OFF” has been selected for color matching, the COLOR TEMP. setting is fixed at “USER1”

■ Adjusting the color matching using a colorimeter

The “R”, “G”, “B”, “Cy”, “Mg”, “Ye” and “Wh” colours can be changed to the desired hues using a colorimeter which is capable of measuring the chromaticity coordinates and luminance.

<Inputting the current luminance and chromaticity coordinates>

- ① Press the “MENU” button.
The MAIN MENU screen will be displayed.
- ② Select “OPTION” with the ▲ ▼ buttons.
- ③ Press the “ENTER” button.
The OPTION screen will be displayed.
- ④ Select “COLOR MATCHING” with the ▲ ▼ buttons.
- ⑤ Select “MEASURE” with the ◀ ▶ buttons.
- ⑥ Press the “ENTER” button.
The MEASURE MODE screen will be displayed.

MEASURE MODE	
MEASURED DATA	
TARGET DATA	
AUTO TESTPATTERN	ON

▲▼:MENU SELECT
ENTER:SUB MENU

- ⑦ Select “MEASURED DATA” with the ▲ ▼ buttons.
- ⑧ Press the “ENTER” button.
The MEASURED DATA screen will be displayed.

MEASURED DATA		
Bk	Y	5
	x	0.313
	y	0.329
R	Y	2126
	x	0.640
	y	0.330
G	Y	7152
	x	0.300
	y	0.600

▲▼:MENU SELECT
◀▶:ADJUST

- ⑨ Use the colorimeter to measure the luminance (Y) and chromaticity coordinates (x, y).
- ⑩ Select the colours with the ▲ ▼ buttons, and select their values with the ◀ ▶ buttons.
- ⑪ After all the data has been input, press the “MENU” button.
The MEASURE MODE screen will be displayed.

MEASURE MODE	
MEASURED DATA	
TARGET DATA	
AUTO TESTPATTERN	ON

<Inputting the coordinates of a desired color>

- ⑫ Select “TARGET DATA” with the ▲ ▼ buttons.
- ⑬ Press the “ENTER” button.
The TARGET DATA screen will be displayed.

TARGET DATA	
R, G, B	
Cy, Mg, Ye, Wh	

- ⑭ Select “R, G, B” or “Cy, Mg, Ye, Wh” with the ▲ ▼ buttons.
- ⑮ Press the “ENTER” button.
The TARGET DATA: R, G, B (or “Cy, Mg, Ye, Wh”) screen will be displayed.

TARGET DATA: R, G, B		
R	x	0.630
	y	0.340
G	x	0.310
	y	0.595
B	x	0.155
	y	0.070

▲▼:MENU SELECT
◀▶:ADJUST

- ⑯ Select the desired colours with the ▲ ▼ buttons, and input their coordinates with the ◀ ▶ buttons.
- ⑰ After all the data has been input, press the “MENU” button.

Option settings

■ Video setting

This feature allows the user to select the signaling system according to the connected device.

- ① **Select “VIDEO SETTING” from the “OPTION” screen and press the ENTER button.**
The “VIDEO SETTING” screen will be displayed.
- ② **Use the ▲ ▼ buttons to select “VIDEO” or “S-VIDEO”.**
- ③ **Use the ◀ ▶ buttons to select “AUTO 1” or “AUTO 2”.**

“AUTO1”: The system is automatically selected from among NTSC, PAL, SECAM, NTSC4.43 and PAL60.

“AUTO2”: The system is automatically selected from among NTSC, PAL-M and PAL-N.

■ DVI EDID

(Only when the ET-MD77DV input module is installed)

Select the EDID mode setting that corresponds to the device to be connected.

- ① **Select “DVI EDID” from the “OPTION” screen and press the ENTER button.**
- ② **Use the ◀ ▶ buttons to select “EDID1” or “EDID2”.**

MODE	Input signal formats supported
EDID1	480p, 576p, 720/60p, 720/59.94p, 720/50p, 1 080/60i, 1 080/59.94i, 1 080/50i, 1 080/24sF, 1 080/23.98sF, 1 080/30p, 1 080/29.97p, 1 080/25p, 1 080/24p, 1080/23.98p
EDID2	Displayable resolution: VGA-UXGA (non-interlace) Dot clock frequency: 25 MHz - 162 MHz

Note • Interlace signals are not supported even when the EDID2 mode is selected.

■ Automatic adjustment

(Only for RGB input)

Use this setting when adjusting a specific or oblong (16:9, etc.) signal.

- ① **Press the MENU button.**
The MAIN MENU screen will be displayed.
- ② **Select “OPTION” with the ▲ ▼ buttons.**
- ③ **Press the ENTER button.**
The OPTION screen will be displayed.
- ④ **Using the ▲ ▼ buttons, select “AUTO SETUP”.**
- ⑤ **Press the ENTER button.**
The AUTO SETUP screen will be displayed.
- ⑥ **Using the ◀ ▶ buttons, switch to the desired mode.**
 - “DEFAULT”: to receive signals of which image aspect is 4:3 or 5:4
 - “WIDE”: to receive signals of which image aspect is 16:9 (oblong)
 - “USER”: to receive signals of specific horizontal resolution (number of horizontally displayed dots)

MODE	Applicable resolution
DEFAULT	640 x 400, 640 x 480, 800 x 600, 832 x 624, 960 x 720, 1 024 x 768, 1 152 x 864, 1 152 x 870, 1 280 x 960, 1 280 x 1 024, 1 600 x 1 200, 1 400 x 1 050
WIDE	720 x 400, 848 x 480, 1 280 x 720, 1 120 x 750, 1 376 x 768, 1 600 x 1 024

- ⑦ **If “USER” is selected, enter the horizontal resolution of signal source into “number of horizontally displayed dots” using ◀ ▶ buttons.**
- ⑧ **Press the ENTER button.**
Execute automatic adjustment.
A message “PROGRESS...” appears during automatic adjustment.
When the adjustment is complete, the system returns to the input screen.

■ Output resolution (D7700U only)

Pictures projected onto a screen (for SXGA) with a 5:4 aspect ratio can be displayed with the SXGA resolution.

- ① **Press the “MENU” button.**
The MAIN MENU screen will be displayed.
- ② **Select “OPTION” with the ▲ ▼ buttons.**
- ③ **Press “ENTER” button.**
The OPTION screen will be displayed.
- ④ **Select “OUTPUT RESOLUTION” with the ▲ ▼ buttons.**

OPTION	
OUTPUT RESOLUTION	SXGA+
AUTO SIGNAL	ON
FAN CONTROL	NORMAL
P IN P	OFF
FUNC1	P IN P
DVI EDID	EDID2 (PC)
PASSWORD	

▲▼:MENU SELECT
◀▶:CHANGE

- ⑤ **Switch between “SXGA+” and “SXGA” with the ◀ ▶ buttons.**
SXGA+ (1 400 x 1 050): For projecting pictures onto a screen with an aspect ratio of 4:3.
SXGA (1 280 x 1 024): For projecting pictures onto a screen with an aspect ratio of 5:4.

■ Auto signal

When unregistered signals are to be input frequently because the unit is used at conferences or other venues, the screen display position can be adjusted automatically without having to press the AUTO SET UP button on the remote control each time.

- ① **Press the “MENU” button.**
The MAIN MENU screen will be displayed.
- ② **Select “OPTION” with the ▲ ▼ buttons.**
- ③ **Press “ENTER” button.**
The OPTION screen will be displayed.
- ④ **Select “AUTO SIGNAL” with the ▲ ▼ buttons.**

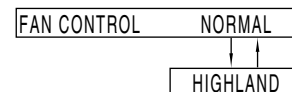
OPTION	
OUTPUT RESOLUTION	SXGA+
AUTO SIGNAL	ON
FAN CONTROL	NORMAL
P IN P	OFF
FUNC1	P IN P
DVI EDID	EDID2 (PC)
PASSWORD	

▲▼:MENU SELECT
◀▶:CHANGE

- ⑤ **Switch between “ON” and “OFF” with the ◀ ▶ buttons.**
If unregistered signals are input when “ON” is selected, auto setup will be initiated automatically.

■ Fan control

When using the projector over 1 400 m (4605.3') above sea level, set to “HIGHLAND”.



Option settings

■ P IN P

This item is used to set the condition of the Picture-In-Picture.

OPTION	
OUTPUT RESOLUTION	SXGA+
AUTO SIGNAL	ON
FAN CONTROL	NORMAL
P IN P	USER1
FUNC1	P IN P
PASSWORD	

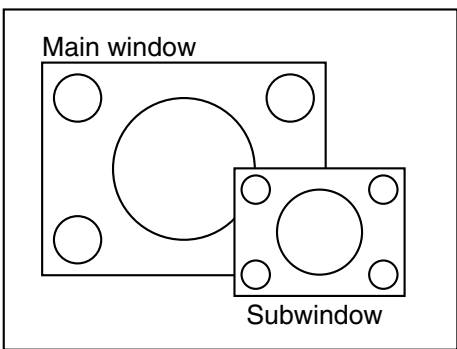
▲▼:MENU SELECT
◀▶:CHANGE ENTER:SUB MENU

P IN P:USER1	
MAIN WINDOW:	RGB1
SIZE	
POSITION	
SUB WINDOW:	VIDEO
SIZE	
POSITION	
FRAME LOCK:	MAIN WINDOW
TYPE:	MAIN WINDOW
LINEALITY	MAIN WINDOW

▲▼:MENU SELECT
◀▶:CHANGE

Use the ◀ ▶ buttons to select "OFF", "USER 1", "USER 2", or "USER 3".

When selecting an option other than "OFF", the submenu can be displayed by pressing the ENTER button.



• Main window:

The input terminal for the main window is displayed. The ◀ ▶ buttons can be used to select the input terminal.

Size: The user can specify the display size of the main window between 10% and 100%.

Position: The user can specify the display position of the main window on the screen.

• Subwindow:

The input terminal for the subwindow is displayed. The ◀ ▶ buttons can be used to select the input terminal.

Size: The user can specify the display size of the subwindow between 10% and 100%.

Position: The user can specify the display position of the subwindow on the screen.

• Frame lock:

The user can select the window to apply frame lock.

"MAIN WINDOW": Frame lock is set for the input signals specified for the main window.

"SUBWINDOW": Frame lock is set for the input signals specified for the subwindow.

• Type:

The user can select the window that is displayed by priority when two windows overlap.

"MAIN WINDOW": The main window is displayed by priority.

"SUBWINDOW": The subwindow is displayed by priority.

• Linearity:

The user can select the window to apply the linearity correction when the P IN P function and the keystone distortion correction function are both used simultaneously.

"MAIN WINDOW": The linearity correction is applied to the main window.

"SUBWINDOW": The linearity correction is applied to the subwindow.

Note

- The P IN P function is not available depending on the input signals and the selected input terminals.
- The main window's picture adjustment values such as the picture mode, gamma selection and color temperature setting for the main window will be applied.
- In the normal screen (when the menu is not displayed), the ◀ ▶ buttons can be used to switch the size and position of the main window and subwindow when the P IN P function is on.

List of P IN P

Main window \ Subwindow		RGB1			RGB2			VIDEO input	S-VIDEO input	AUX					
		RGB input	YCbCr input	YPbPr input	RGB input	YCbCr input	YPbPr input			ET-MD77SD1	ET-MD77SD3		ET-MD77DV		
											SD #1	HD #2	EDID1-SD #3	EDID1-HD #4	EDID2
RGB1	RGB input	×	×	×	×	×	×	○	○	○	○	×	○	×	×
	YCbCr input	×	×	×	×	×	×	×	×	×	×	×	×	×	○
	YPbPr input	×	×	×	×	×	×	×	×	×	×	×	×	×	×
RGB2	RGB input	×	×	×	×	×	×	○	○	○	○	×	○	×	×
	YCbCr input	×	×	×	×	×	×	×	×	×	×	×	×	×	○
	YPbPr input	×	×	×	×	×	×	×	×	×	×	×	×	×	×
VIDEO input		○	×	×	○	×	×	×	×	×	×	×	×	×	○
S-VIDEO input		○	×	×	○	×	×	×	×	×	×	×	×	×	○
AUX	ET-MD77SD1		○	×	×	○	×	×	×	×	×	×	×	×	×
	ET-MD77SD3	SD #1	○	×	×	○	×	×	×	×	×	×	×	×	×
		HD #2	×	×	×	×	×	×	×	×	×	×	×	×	×
	ET-MD77DV	EDID1-SD #3	○	×	×	○	×	×	×	×	×	×	×	×	×
		EDID1-HD #4	×	×	×	×	×	×	×	×	×	×	×	×	×
EDID2		×	○	×	×	○	×	○	○	×	×	×	×	×	×

○: P in P (Picture in Picture) combinations are enabled

×: P in P (Picture in Picture) combinations are disabled

※1 480i, 576i

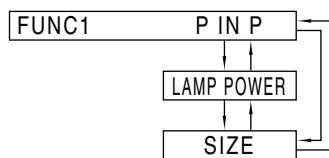
※2 720/60p, 720/50p, 1 035/60i, 1 080/60i, 1 080/50i, 1 080/24sF, 1 080/30p, 1 080/25p, 1 080/24p

※3 480p, 576p

※4 720/60p, 720/50p, 1 080/60i, 1 080/50i, 1 080/24sF, 1 080/30p, 1 080/25p, 1 080/24p

■ Setting FUNC1

The user can specify the function of the "FUNC 1" button on the remote control.



"P IN P": Enables setting of P IN P to OFF, USER 1, USER 2, or USER 3. (refer to page 74).

"LAMP POWER": Enables the lamp power to be switched between high and low (refer to page 68).

"SIZE": Enables the picture size to be selected (refer to page 54).

■ Password

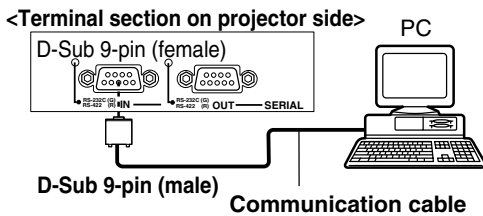
This function is used by a service person. Input the password with the numeric buttons (0 to 9) of the remote control and press ENTER button to confirm the entry.

Using the serial terminals

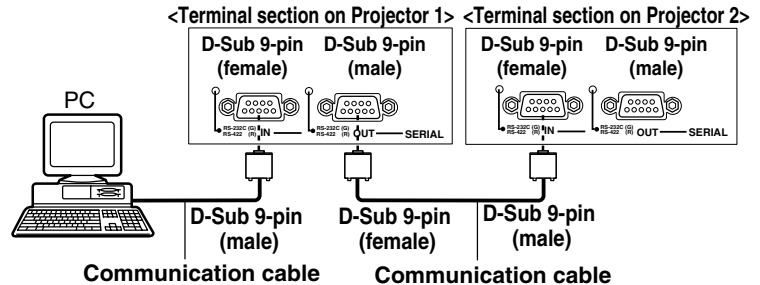
The main unit is equipped with SERIAL terminals located in its terminal section on the side, and this terminal is compliant with RS-232C. Also a serial output terminal is provided to enable plural projector control.

Examples of connection

Single projector

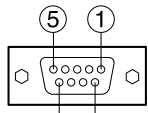


Plural projectors



Pin assignments and signal names

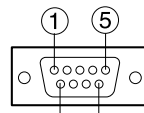
D-Sub 9-pin (female), external appearance



Serial input terminal

Pin No.	Signal name	Description
①		NC
②	TXD	Send data
③	RXD	Receive data
④		Connected internally
⑤	GND	Ground
⑥		NC
⑦	CTS	Connected internally
⑧	RTS	
⑨		NC

D-Sub 9-pin (male), external appearance



Serial output terminal

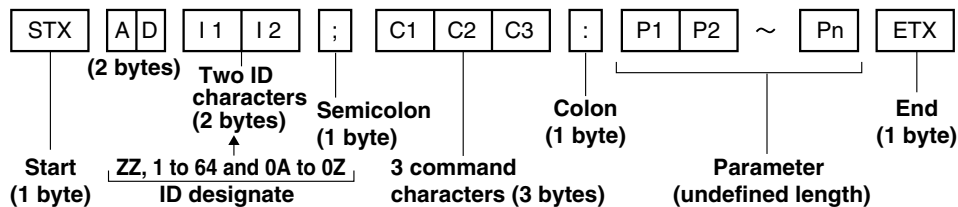
Pin No.	Signal name	Description
①		NC
②	RXD	Receive data
③	TXD	Send data
④		NC
⑤	GND	Ground
⑥		NC
⑦	RTS	Connected internally
⑧	CTS	
⑨		NC

Communication conditions (Factory setting)

Signal level	RS-232C-compliant
Synchronization method	Start-stop synchronization
Baud rate	9 600bps
Parity	None
Character length	8 bits
Stop bit	1 bit
X parameter	None
S parameter	None

Basic format

Transmission from the computer begins with STX, then the ID, command, parameter, and ETX are sent in this order. Add parameters according to the details of control.



- Attention**
- No command can be sent or received for 10 to 60 seconds after the lamp starts lighting. Try sending any command after that period has elapsed.
 - When sending several commands, be sure to wait for a response from the projector before sending the next command. When sending commands without parameters, a colon (:) is not necessary.

- Note**
- When the wrong command is sent, the "ER401" or "ER402" status is sent from the projector to the personal computer.
 - Projector ID supported on the RS-232C interface is ZZ (ALL) and a group of 1 to 64 and 0A to 0Z.
 - If a command is sent with a projector ID specified, the projector will return answer back only in the following cases:
 - If it coincides with the projector ID,
 - ID specification is ALL and VPS-SYSTEM is the master, or
 - ID specification is group and Group is the master.

■ Control commands

When controlling the projector from a computer, the following commands are available:

Command	Function of command	Remarks
PON	Power "ON"	In standby mode, commands other than "PON" are invalid. • While the lamp is ON and being controlled, a "PON" command will not be accepted.
POF	Power "OFF"	
IIS	Switch input modes	Parameter VID = VIDEO SVD = S-VIDEO RG1 = RGB1 RG2 = RGB2 AUX=AUX
QSL	Query for active lamp mode	Parameter 0 = DUAL 1 = SINGLE 2 = LAMP 1 3 = LAMP 2 ※ "SINGLE" will use the lamp (LAMP 1 or LAMP 2) with shorter operating hours.
LPM	Active lamp mode	Parameter 0 = DUAL 1 = SINGLE 2 = Only LAMP 1 is on 3 = Only LAMP 2 is on
OLP	Lamp power setting	Parameter 0 = HIGH, 1= LOW

Note • If you need a detailed command list, please contact your dealer.

■ Cable specifications

<Connecting to a PC>

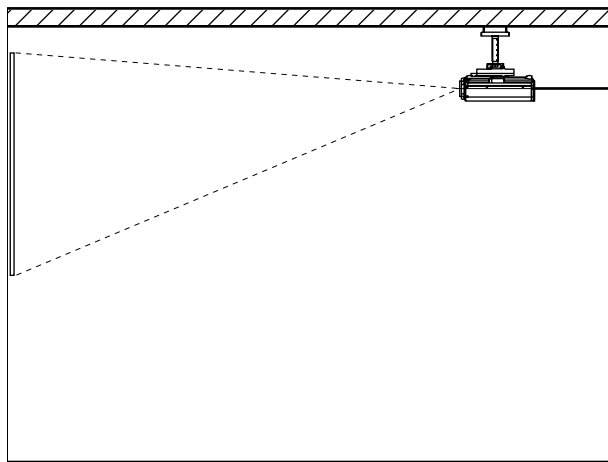
Projector		Computer (DTE specifications)	
1	NC	NC	1
2			2
3			3
4	NC	NC	4
5			5
6	NC	NC	6
7			7
8			8
9	NC	NC	9

Attention • To connect the computer to the SERIAL terminal, prepare an adequate communication cable that fits to your personal computer.

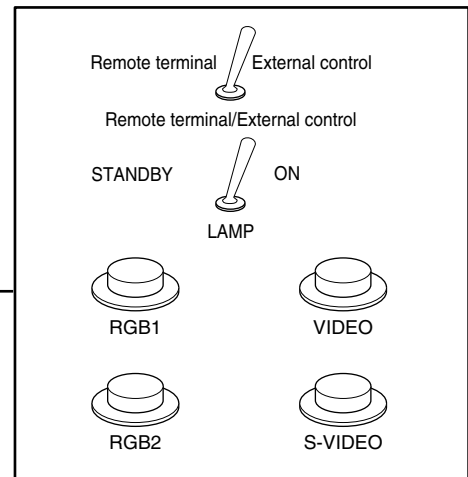
Using the REMOTE 2 terminal

Using the REMOTE 2 terminal provided on the side of the main unit, it is possible to operate the projector from a control panel etc. furnished in a distant location where infrared remote control signal cannot be received.

Example of a control panel layout



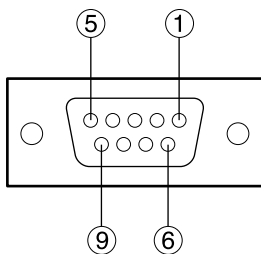
Projector set up in a meeting room



Control panel located in a different room

Pin assignments and control

Be sure to short-circuit Pins ① and ⑨ when controlling.



D-Sub 9-pin (female) external appearance

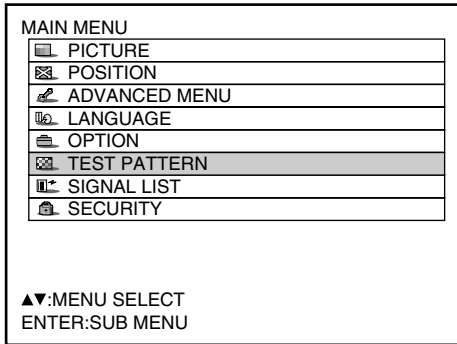
	Names of terminals	Open (H)	Short (L)
1	GND	—————	GND
2	POWER	OFF	ON
3	RGB1	Other	RGB1
4	RGB2	Other	RGB2
5	VIDEO	Other	VIDEO
6	S-VIDEO	Other	S-VIDEO
7	AUX	Other	AUX
8	SHUTTER	OFF	ON
9	RST / SET	Controlled by remote control	Controlled by external contact

- Note** • The “POWER”, “RGB” and “VIDEO” buttons on the remote control and projector will not operate when pins ① and ⑨ are shorted. In addition, it disables the main unit operation sections that correspond to those functions, remote control buttons and RS-232C commands.

Displaying the internal test pattern

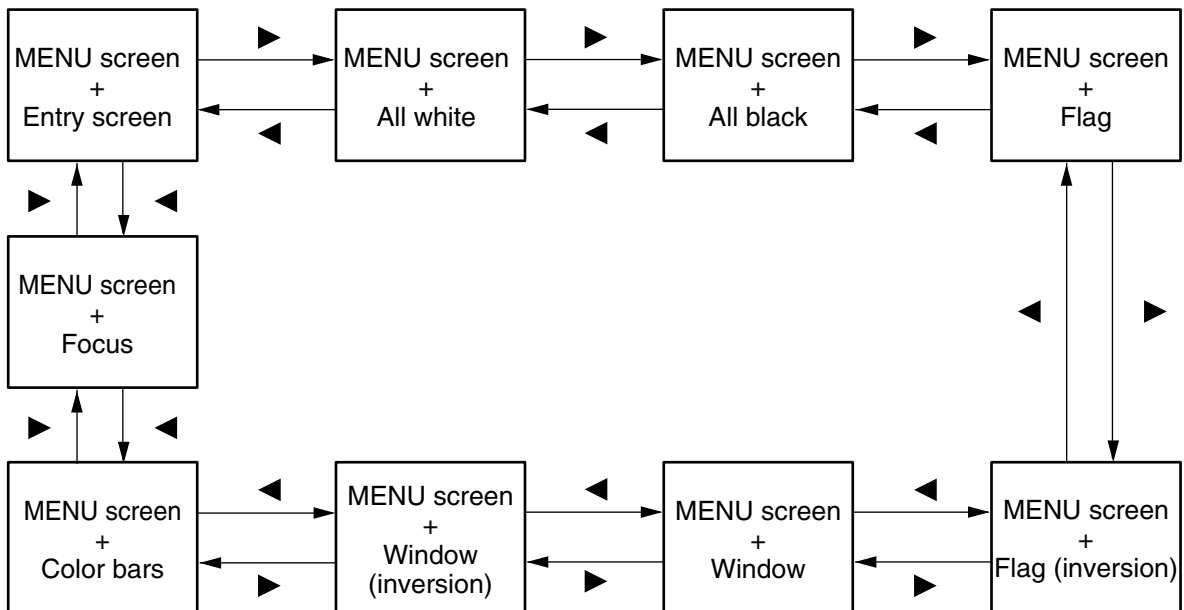
The projector has eight types of internal test patterns to check the condition of the set. To display test patterns, follow the steps below.

Note • Results of adjustment on the image, picture quality, position, size and other factors will not be reflected in test patterns. Be sure to display the input signal before performing various kinds of setting.



- ① **Press the MENU button.**
The MAIN MENU screen will be displayed.
- ② **Select “TEST PATTERN” with the ▲ ▼ buttons.**
- ③ **Search through the various types of test patterns with the ◀ ▶ buttons.**

■ Cycle of displayed internal test patterns



RS-422 control functions

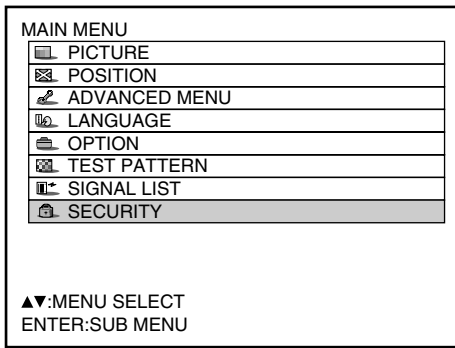
The RS-232C terminal of the projector is available as a RS-422 control terminal. RS-232C control terminal is selected on shipping.

CAUTION

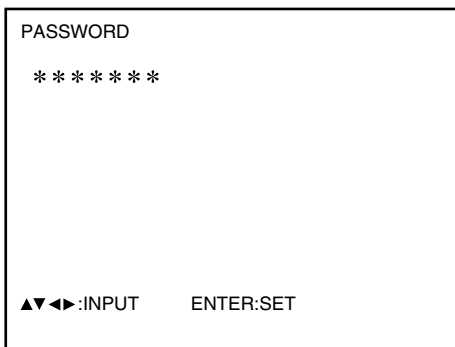
Consult a service technician to convert RS-422 control functions.

Setting the security

The unit's security function serves to display the password input screen or to set and display the user company's URL under the projected pictures.



- ① **Press the “MENU” button.**
The MAIN MENU screen will be displayed.
- ② **Select “SECURITY” with the ▲ ▼ buttons.**



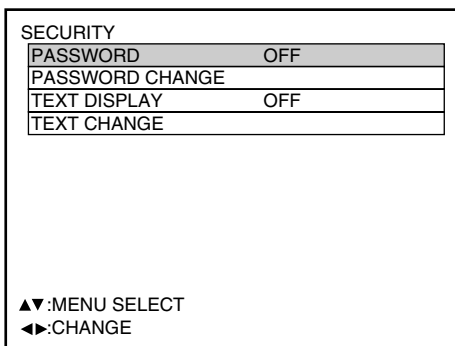
- ③ **Press the “ENTER” button.**
The PASSWORD screen will be displayed.

<For first-time use>

Press the ▲, ▶, ▼, ◀, ▲, ▶, ▼ and ◀ buttons in this order, and then press the “ENTER” button.

<When the password has already been changed>

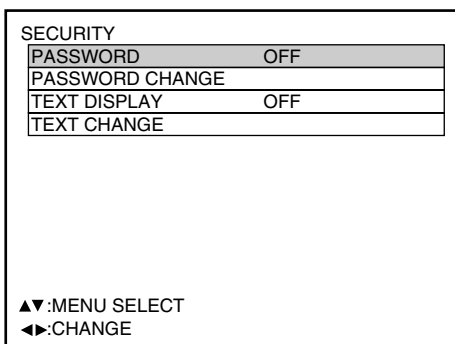
Enter the new password, and press the “ENTER” button.



- Note** • Only asterisks * will appear on the screen to represent the actual characters of the password when the password is entered.

■ Setting the password

The PASSWORD screen can be displayed when the power has been turned on. Unless the correct password is entered, the user will be prohibited from performing any operations apart from the power off (⏻) button and lens adjustments.



- ① **Select “PASSWORD” with the ▲ ▼ buttons.**
- ② **Switch “PASSWORD” with the ◀ ▶ buttons.**
ON: Password entry is enabled.
OFF: Password entry is disabled.

■ Changing the password

The password can be changed.

SECURITY	
PASSWORD	OFF
PASSWORD CHANGE	
TEXT DISPLAY	OFF
TEXT CHANGE	

PASSWORD NEW	
CONFIRM	
▲▼◀▶:INPUT ENTER:SET	

- ① Select “PASSWORD CHANGE” with the ▲ ▼ buttons.
- ② Press the “ENTER” button.
The PASSWORD screen will be displayed.
- ③ Set the password with the ▲, ▼, ◀ and ▶ buttons.
Up to eight buttons can be set as the password.
- ④ Press the “ENTER” button.
- ⑤ For the purposes of confirmation, enter the password again.
- ⑥ Press the “ENTER” button.

Note

- Only asterisks * will appear on the screen to represent the actual characters of the password when the password is entered.

■ Setting the text

The set text can be permanently displayed below the pictures being projected.

SECURITY	
PASSWORD	OFF
PASSWORD CHANGE	
TEXT DISPLAY	OFF
TEXT CHANGE	

- ① Select “TEXT DISPLAY” with the ▲ ▼ buttons.
- ② Select “ON” or “OFF” with the ◀ ▶ buttons.
ON: The text display is enabled.
OFF: The text display is disabled.

■ Changing the text

The characters displayed in the text can be changed when “ON” has been selected as the “TEXT DISPLAY” setting.

SECURITY	
PASSWORD	OFF
PASSWORD CHANGE	
TEXT DISPLAY	OFF
TEXT CHANGE	

TEXT

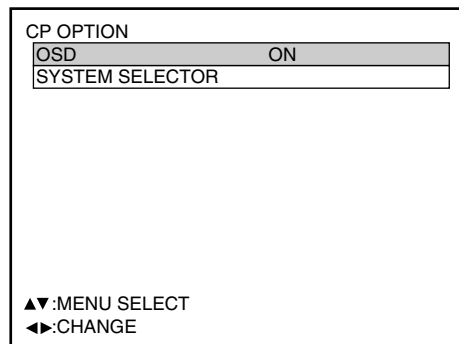
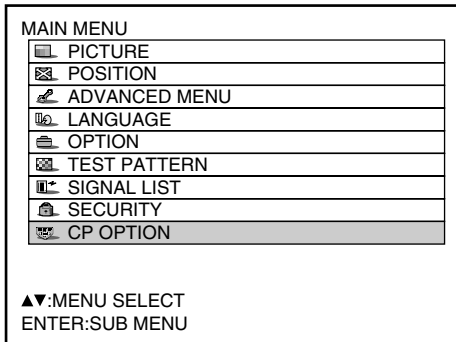
- ① Select “TEXT CHANGE” with the ▲ ▼ buttons.
- ② Press the “ENTER” button.
The TEXT screen will be displayed.
- ③ Select the text position with the ◀ ▶ buttons and the characters of the text with the ▲ ▼ buttons.
- ④ Press the “ENTER” button.
The text is now changed.

How to use CP OPTION

The on-screen indication can be turned "ON" or "OFF" and the system selector setting can be changed using the rear panel operating section of the main unit.

■ Setting the on-screen indication function

Procedure of setting



- ① **Hold down the "MENU" button for 3 or so seconds.**

If the on-screen function is "OFF", the on-screen indication will now appear, and the "CP OPTION" item will be added to the main menu.

- ② **Select "CP OPTION" with the ▲ ▼ buttons.**

- ③ **Press the "ENTER" button.**

The CP OPTION screen will be displayed.

- ④ **Select "OSD" with the ▲ ▼ buttons.**

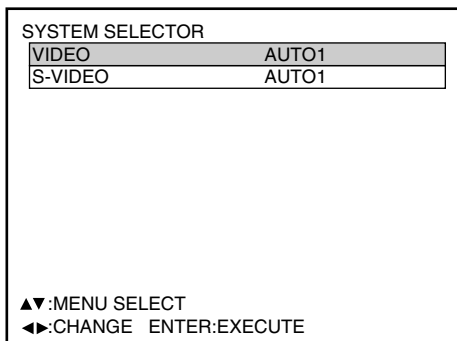
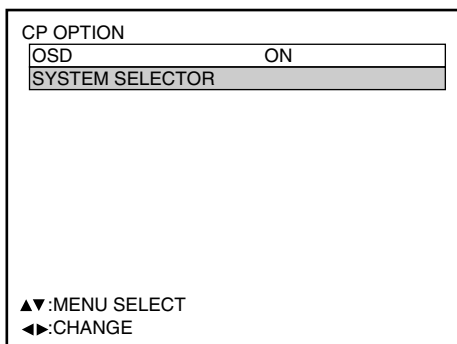
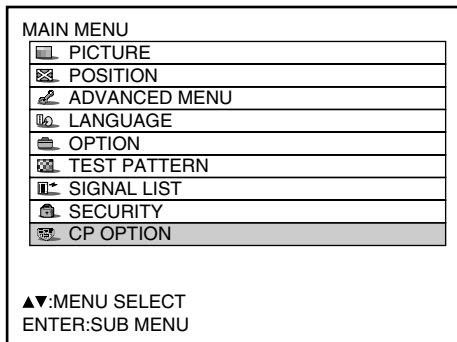
- ⑤ **Select "ON" or "OFF" with the ◀ ▶ buttons.**

ON: The on-screen indication function is set to "ON".

OFF: The on-screen indication function is set to "OFF".

■ Setting the system format

Procedure of setting



- ① **Hold down the “MENU” button for 3 or so seconds.**

If the on-screen function is “OFF”, the on-screen indication will now appear, and the “CP OPTION” item will be added to the main menu.

- ② **Select “SYSTEM SELECTOR” with the ▲ ▼ buttons.**

- ③ **Press the “ENTER” button.**

The SYSTEM SELECTOR screen will be displayed.

- ④ **Select one of the following inputs for setting the system format with the ▲ ▼ buttons.**

“RGB1”, “RGB2”, “VIDEO”, “S-VIDEO”, “AUX”

Note • Only the inputs enabling the system format to be selected are actually displayed.

- ⑤ **Select the system format with the ◀ ▶ buttons.**

Note • For details on which system format can be selected, refer to “How to change the system format” (on page 65).

- ⑥ **Press the “ENTER” button.**

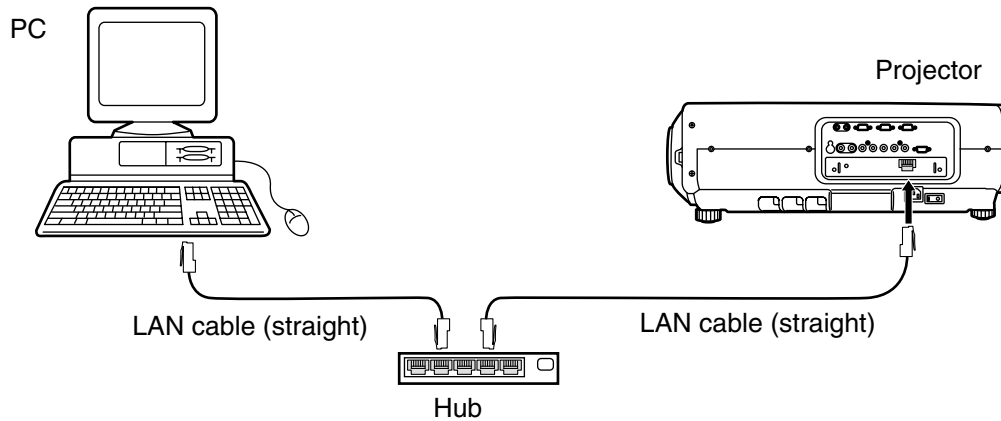
How to use network function (optional)

The input module (ET-MD77NT, ET-MD77DV, ET-MD77SD1 or ET-MD77SD3) available as an optional accessory comes with a network function to enable the projector to be controlled from the Web browser of the personal computer.

In addition, the network function also fulfills automatic E-mail transmission function. It can send mail to a predefined E-mail address when the system malfunctions or when the lamp used hours reaches the set value.

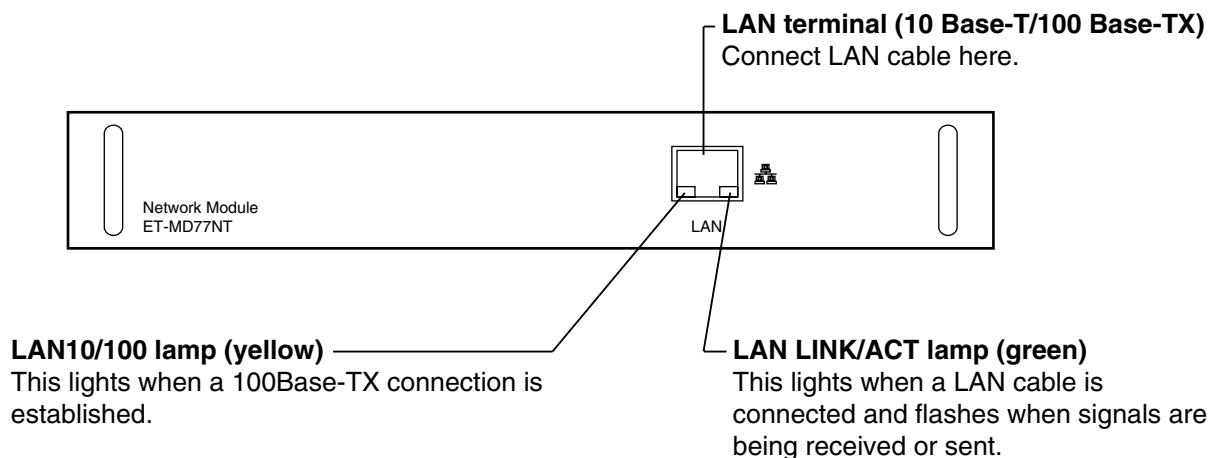
Example of connection

A LAN cable is required to use the network function.



- A Web browser is required to use this function. Make sure that a Web browser is available in the system.
- Use Microsoft Windows 98SE/Me/NT4.0/2000/XP for the OS of your personal computer.
- The Web browser should be Internet Explorer 6.0 or later or Netscape Communicator 7.0 or later.
- To use the E-mail function, communication with E-mail server must be established. Make sure that E-mail feature is available in your system.
- Use a straight insulated LAN cable which supports category 5 or above.
- The length of LAN cable must be 100 m or shorter.

Name and function of network function parts



Attention

- If the LAN terminal is touched by electrostatically charged hands (or body), failure may be caused by the discharge of static electricity.
Be careful not to touch metallic part of LAN terminal or LAN cable.

■ Initial setting of network function

Procedure of setting

MAIN MENU	
PICTURE	
POSITION	
ADVANCED MENU	
LANGUAGE	
OPTION	
TEST PATTERN	
SIGNAL LIST	
SECURITY	

▲▼:MENU SELECT
ENTER:SUB MENU

OPTION	
PROJECTOR ID	2
SETTING	FRONT-F
LAMP SELECT	DUAL
LAMP POWER	HIGH
RS232C SETTING	
OSD POSITION	2
SYSTEM INFORMATION	
COLOR MATCHING	3COLORS
VIDEO SETTING	
NETWORK SETTING	

▲▼:MENU SELECT
ENTER:SUB MENU

NETWORK SETTING	
HOST NAME	PROJECTOR
DHCP	OFF
IP ADDRESS	192.168. 0. 8
PORT	80
NET MASK	255.255.255. 0
GATEWAY	192.168. 0. 1
MAC ADDRESS	00.00.00.00.00.00
STORE	

▲▼:MENU SELECT
ENTER:ADJUST

- ① **Press the “MENU” button.**
The MAIN MENU screen will be displayed.
- ② **Select “OPTION” with the ▲ ▼ buttons.**
- ③ **Press the “ENTER” button.**
The OPTION screen will be displayed.
- ④ **Select “NETWORK SETTING” with the ▲ ▼ buttons.**
- ⑤ **Press the “ENTER” button.**
The NETWORK SETTING screen will be displayed.
- ⑥ **Select items with the ▲ ▼ buttons and press the “ENTER” button to change the setting.**
- ⑦ **Select the “STORE” with the ▲ ▼ buttons and press the “ENTER” button twice.**

Note • The network settings are stored in the input module installed inside the projector. Perform these settings again when the installed input module has been replaced.

(Continued on next page)

How to use network function (optional)

■ Initial setting of network function (continuing)

Items	Function	Description
HOSTNAME	Display of host name and setting	Make alteration if necessary when to use the DHCP server.
DHCP	DHCP client function	Set the DHCP item to ON when to acquire an IP address automatically using the DHCP server. Set to OFF if DHCP server is not used.
IP ADDR	Display of IP address and setting	Enter the IP address if DHCP server is not used.
PORT No.	Display and setting of the port number for connection with the Web browser.	Number 80 is normally used. Change the data if necessary.
NET MASK	Display of net mask and setting	Enter the net mask if DHCP server is not used.
GATEWAY	Display of gateway address and setting	Enter the gateway address if DHCP server is not used.
MAC ADDR	Display of MAC address	Displays the MAC address (Media Access Control Address), which is proper to the network device. This function may be needed when to use the DHCP server.

- Before using the DHCP server, make sure the DHCP server is already functioning.
- For details of IP address, net mask, and gateway, ask the network administrator.

■ Accessing from the Web browser

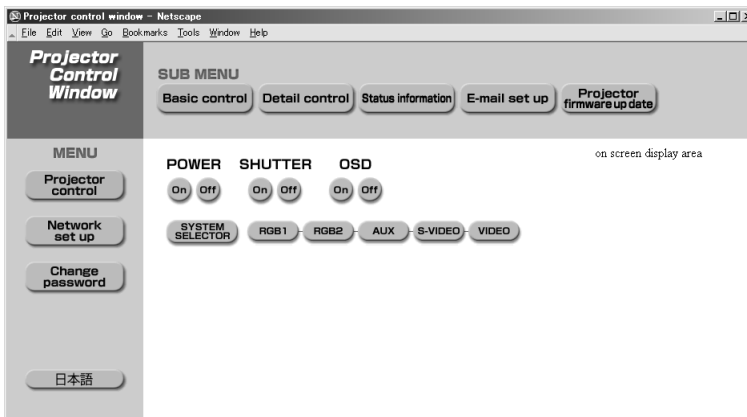
- ① Activate the Web browser in the personal computer.
- ② Enter the IP address set by the projector into the URL input field of the Web browser.



- ③ Enter “user1” in the user name field and enter “panasonic” (lower case) in the password field.

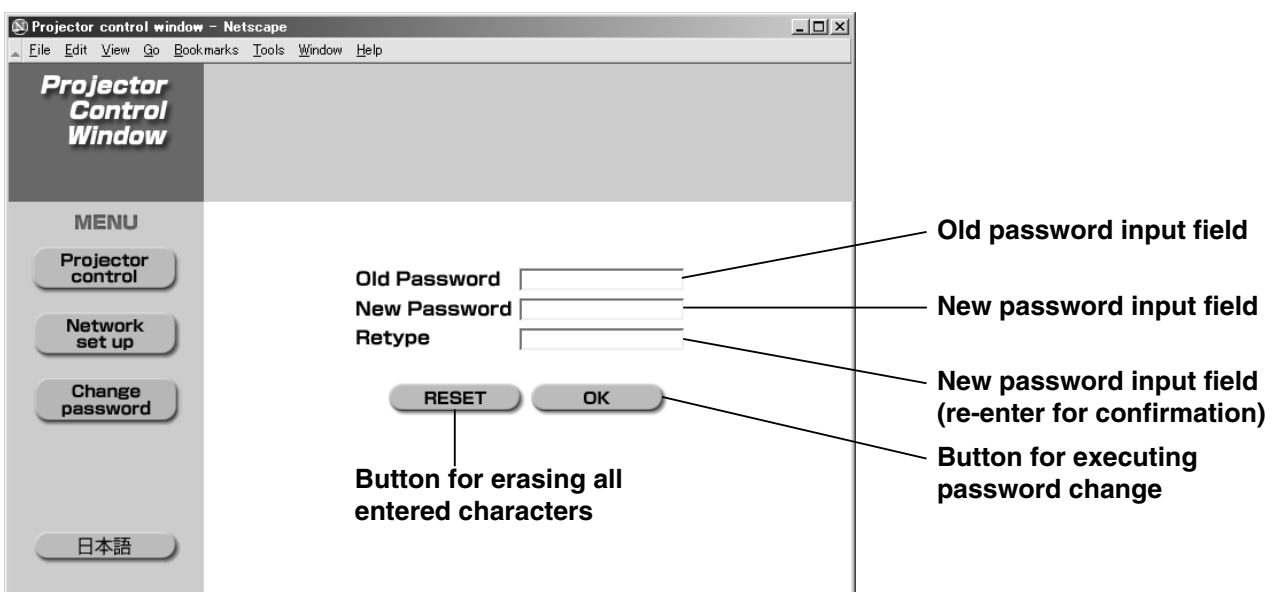


- ④ Press OK and the top page will appear.



Password change page

Click [Change password].



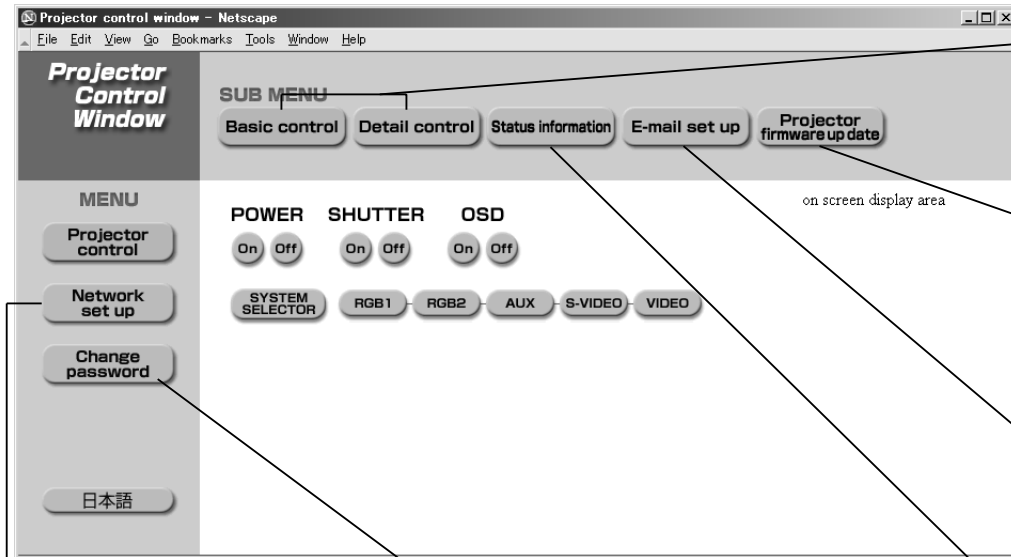
Note

- Avoid activating two or more Web browser simultaneously to work out setting or control actions.
- Change the password first of all.

How to use network function (optional)

Basic control page

This page is the first page displayed when the projector is accessed through a web browser. To move from another page, click [Projector control], then [Basic control].



Control button
Click this item, and a projector control page appears.

Update button
Click this item, and the update page of the projector's firmware appears.

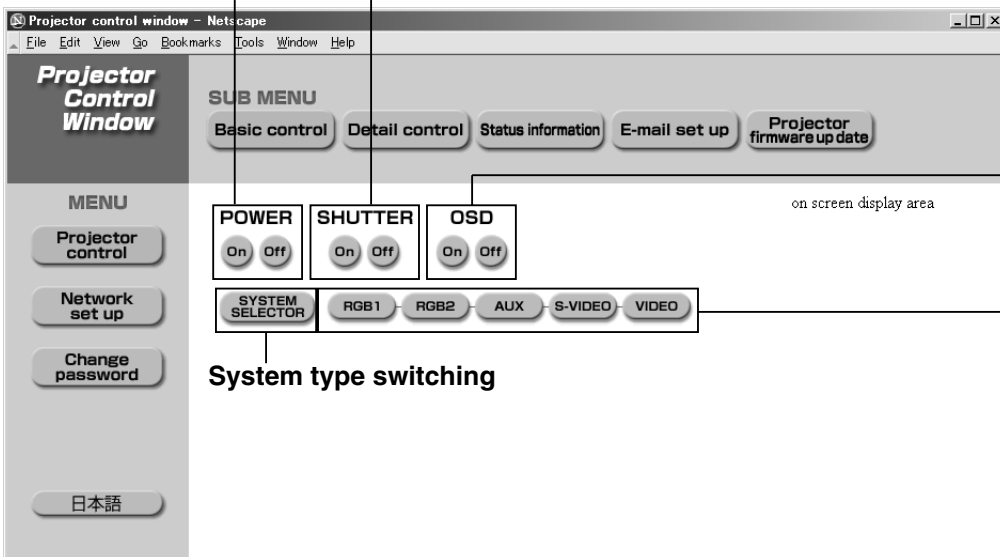
E-mail set up button
Click this item, and an E-mail setting page appears.

Monitor information button
Click this item, and the status of the projector is displayed.

Network set up button
Click this item, and a network set up page for IP address and other items appear.

Change password button

Power On/Off control Shutter control



OSD (On-screen Display) display/non-display

Use these to select the input signals.

System type switching

Detail control page

Click [Projector control], then [Detail control] to display the Detail control page.

Pressing these buttons controls the projector and updates the on-screen description on the right of the control page when control is finished.

On-screen status is displayed, even if the on-screen of projector is set to off.

Lens adjustment

Menu display

Test pattern display

This button updates the on-screen description on the right of the control page with the latest information.

Monitor information page

Click [Projector control], then [Status information] to display the Status information page. This page displays the projector statuses established for the items shown below.

POWER	ON OFF	INPUT	RGB1
SHUTTER	ON OFF	LAMP SELECT	SINGLE
OSD	ON OFF	LAMP POWER	HIGH
TEMP. INPUT AIR			27°C / 80°F
TEMP. OPTICS MODULE			30°C / 86°F
TEMP. OUTPUT AIR			30°C / 86°F
LAMP1 RUNTIME			220 H
LAMP2 RUNTIME			207 H
Projector Type	DW7000	SET RUNTIME	224 H
Version	2.05	Self test	No errors

Displays the type of projector.

Displays the firmware version of the projector main unit.

Displays the input switching status.

Displays temperature of projector's intake air.

Displays temperature inside the projector.

Displays temperature of projector exhaust.

Displays the lamp lit hours.

Displays used hours of the projector.

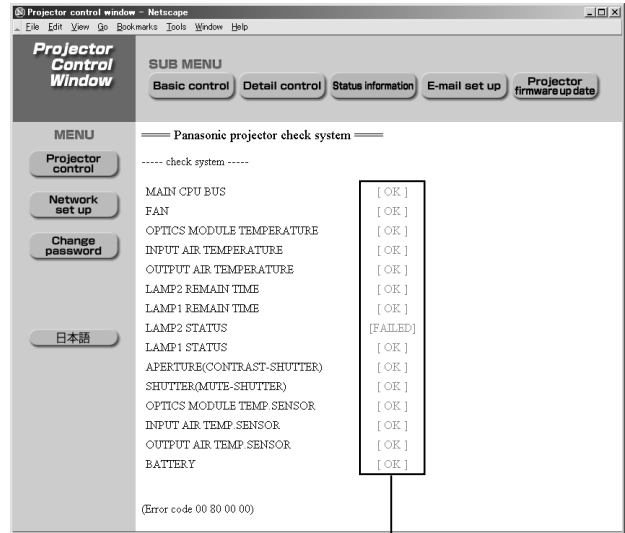
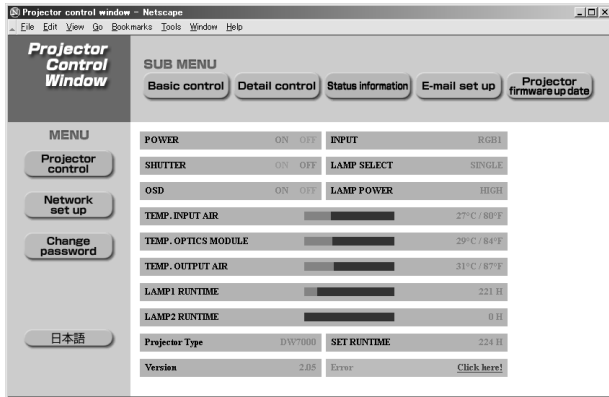
Displays self-diagnosis information.

(Continued on next page)

How to use network function (optional)

Error information page

When [Error](#) is displayed on the status information screen, click it to display the error details.



OK: Normal operation
FAILED: Occurrence of trouble

Note

- Depending on the nature of the error, the projector may be placed in the standby mode for its own protection.

When [FAILED] has appeared for an item

Parameter	Description
MAIN CPU BUS	Trouble has occurred in the microcomputer circuitry. Consult your dealer.
FAN	Trouble has occurred in the fan or its drive circuit. Consult your dealer.
OPTICS MODULE TEMPERATURE	The temperature inside the projector is high. It may be that the projector is being used where the ambient temperature is high such as near a heating appliance.
INPUT AIR TEMPERATURE	The input air temperature is too high. It may be that the projector is being used where the ambient temperature is high such as near a heating appliance.
OUTPUT AIR TEMPERATURE	The exhaust air temperature is too high. It may be that the projector's ventilation holes are blocked.
LAMP REMAIN TIME	The lamp runtime has exceeded the prescribed cumulative time, and it is now time to replace the lamp.
LAMP STATUS	The lamp has failed to light. Wait a short while for the lamp to cool off, and then turn on the power.
APERTURE (CONTRAST-SHUTTER)	Trouble has occurred in the contrast shutter circuitry. Consult your dealer.
SHUTTER (MUTE-SHUTTER)	Trouble has occurred in the shutter circuitry. Consult your dealer.
OPTICS MODULE TEMP.SENSOR	Trouble has occurred in the temperature detection sensor inside the projector. Consult your dealer.
INPUT AIR TEMP.SENSOR	Trouble has occurred in the sensor used to detect the input air temperature. Consult your dealer.
OUTPUT AIR TEMP.SENSOR	Trouble has occurred in the sensor used to detect the exhaust air temperature. Consult your dealer.
BATTERY	The backup battery has been run out. Consult your dealer.

E-mail setup page

With this projector, if a problem occurs or if the lamp usage time reaches a set value, an e-mail message can be sent to one or more preset e-mail addresses (maximum two addresses). Click [Projector Control], then [E-mail set up] to display the E-mail setup page.

Select "Enable" to use the E-mail function.

Enter the IP address or server name of the E-mail server (SMTP). The DNS server must be set if the server name is entered.

Enter the E-mail address of the projector. (maximum 63 characters)

The user can enter the location of, for example, the installed projector so that the recipient may easily identify the originator of the E-mail. (maximum 63 characters)

The user can modify the minimum time interval of temperature warning mail. The default value is 60 minutes. In this case, the user cannot send another mail for 60 minutes after sending previous temperature warning mail even the set warning temperature is reached again.

The user can modify the threshold temperature for sending temperature warning mail. If the temperature rises above the set value, control sends temperature warning mail.

Enter the E-mail address of your desired recipient.

Select the conditions for sending E-mail.

Error:

an error is detected by self-diagnosis.

Warning LAMP1: remaining lamp service time has reached the value set in the field.

Warning LAMP2: remaining lamp service time has reached the value set in the field.

Warning input air

Temperature: intake air temperature has reached the value set in the field.

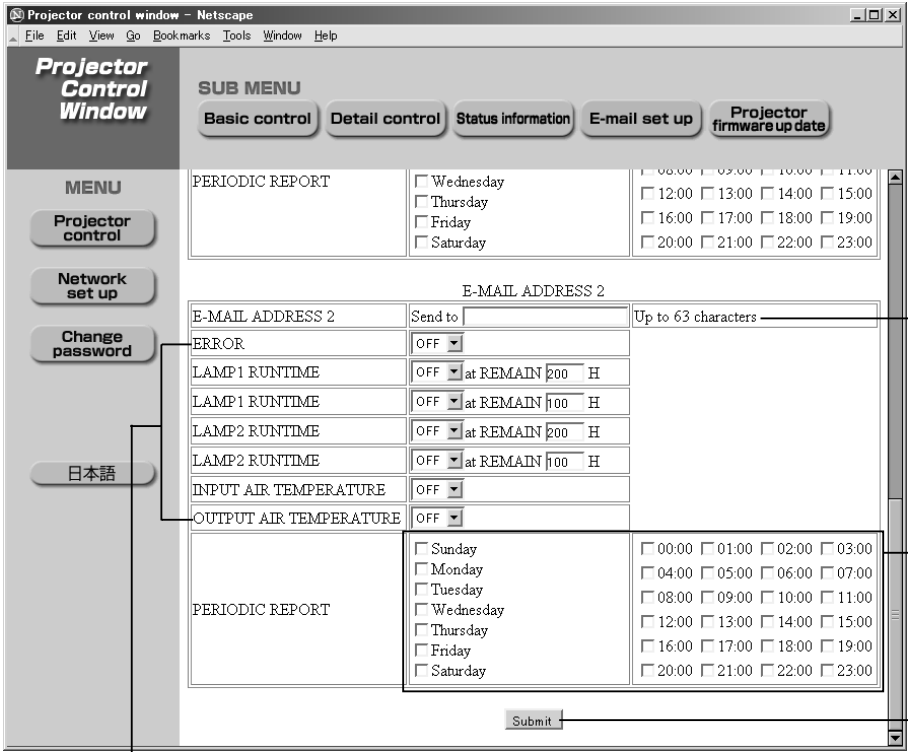
Warning output air

Temperature: exhaust temperature has reached the value set in the field.

Periodic warning interval setting (e-mail is sent on the checked days of the week/times)

(Continued on next page)

How to use network function (optional)



Enter the E-mail address to which the E-mail is to be sent when two E-mail addresses are going to be used. Do not enter it when the second E-mail address is not going to be used.

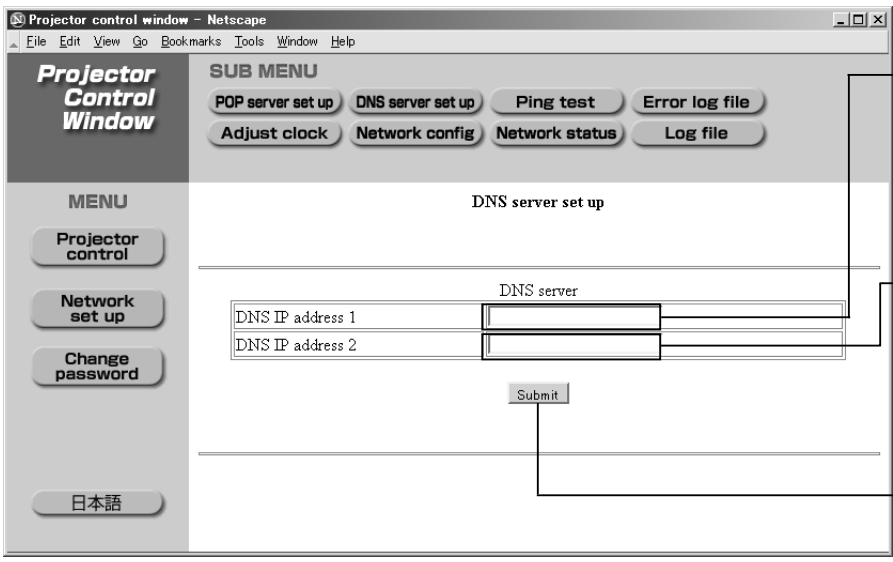
Check these boxes when E-mail is to be sent periodically to two E-mail addresses. E-mail will be sent at the times and on the days checked.

Button to update settings

- Select the conditions for sending E-mail.
- Error:** an error is detected by self-diagnosis.
- Warning LAMP1:** remaining lamp service time has reached the value set in the field.
- Warning LAMP2:** remaining lamp service time has reached the value set in the field.
- Warning input air Temperature:** intake air temperature has reached the value set in the field.
- Warning output air Temperature:** exhaust temperature has reached the value set in the field.

DNS server set up page

Click [Network set up], then [DNS server set up] to display the DNS server set up page.



Primary DNS server address
Available input characters: Numbers (0 - 9), period (.) (ex. 192.168.0.253)

Secondary DNS server address
Available input characters: Numbers (0 - 9), period (.) (ex. 192.168.0.254)

Button to update settings

POP server setup page

The POP server is set on this page when POP authentication is required for mail transmissions. Click [Network set up], then [POP server set up] to display the POP server setup page.

Select "Enable" for this setting only when authentication is required for sending mail.

POP server name field
Available input characters: Alphanumeric characters (A-Z, a-z, 0-9), hyphen (-), period (.)

POP server user name field

POP server password field

Button to update settings

Ping test page

This page makes it possible to check whether the network is connected to the E-mail server, POP server, DNS server, etc. Click [Network set up], then [Ping test] to display the Ping test page.

Enter the IP address of the server to be tested.

Button for conducting the test.

```
PING 192.168.0.122 (192.168.0.122): 56 data bytes
64 bytes from 192.168.0.122: icmp_seq=0 ttl=128 time=0.7 ms
64 bytes from 192.168.0.122: icmp_seq=1 ttl=128 time=0.8 ms
64 bytes from 192.168.0.122: icmp_seq=2 ttl=128 time=0.7 ms
64 bytes from 192.168.0.122: icmp_seq=3 ttl=128 time=0.7 ms

--- 192.168.0.122 ping statistics ---
4 packets transmitted, 4 packets received, 0% packet loss
round-trip min/avg/max = 0.7/0.7/0.8 ms
```

Display which appears when the connection was successful.

```
PING 192.168.0.122 (192.168.0.122): 56 data bytes

--- 192.168.0.122 ping statistics ---
4 packets transmitted, 0 packets received, 100% packet loss
```

Display which appears when the connection failed.

How to use network function (optional)

Contents of mail sent

- Mail with the contents shown below is sent when the E-mail settings have been established.

```
Subject: Panasonic projector report(CONFIGURE)
=== Panasonic projector report(CONFIGURE) ===
Projector Type      : D7700

----- E-mail setup data -----
TEMPERATURE WARNING SETUP
MINIMUM TIME       at [ 60] minutes interval
INPUT AIR TEMPERATURE Over [ 35C / 95F ]
ERROR              [ ON ]
LAMP1 RUNTIME      [ OFF ] at REMAIN [200] H
LAMP1 RUNTIME      [ OFF ] at REMAIN [100] H
LAMP2 RUNTIME      [ OFF ] at REMAIN [200] H
LAMP2 RUNTIME      [ OFF ] at REMAIN [100] H
INPUT AIR TEMPERATURE [ OFF ]

PERIODIC REPORT
Sunday [ OFF ] Monday [ OFF ] Tuesday [ OFF ] Wednesday [ ON ]
Thursday [ OFF ] Friday [ OFF ] Saturday [ OFF ]

00:00 [OFF] 01:00 [OFF] 02:00 [OFF] 03:00 [OFF]
04:00 [OFF] 05:00 [OFF] 06:00 [OFF] 07:00 [OFF]
08:00 [OFF] 09:00 [OFF] 10:00 [OFF] 11:00 [OFF]
12:00 [OFF] 13:00 [OFF] 14:00 [OFF] 15:00 [OFF]
16:00 [OFF] 17:00 [OFF] 18:00 [ON ] 19:00 [OFF]
20:00 [OFF] 21:00 [OFF] 22:00 [OFF] 23:00 [OFF]

----- check system -----
MAIN CPU BUS [ OK ]
FAN [ OK ]
OPTICS MODULE TEMPERATURE [ OK ]
INPUT AIR TEMPERATURE [ OK ]
OUTPUT AIR TEMPERATURE [ OK ]
LAMP2 REMAIN TIME [ OK ]
LAMP1 REMAIN TIME [ OK ]
.
.
.
```

- Mail with the contents shown below is sent when an error has occurred.

```
Subject: Panasonic projector report(ERROR)
=== Panasonic projector report(ERROR) ===
Projector Type      : D7700

----- check system -----
MAIN CPU BUS [ OK ]
FAN [ OK ]
OPTICS MODULE TEMPERATURE [ OK ]
INPUT AIR TEMPERATURE [ OK ]
OUTPUT AIR TEMPERATURE [ OK ]
LAMP2 REMAIN TIME [ OK ]
LAMP1 REMAIN TIME [ OK ]
LAMP2 STATUS [ OK ]
LAMP1 STATUS [ FAILED ]
OPTICS MODULE TEMP.SENSOR [ OK ]
INPUT AIR TEMP.SENSOR [ OK ]
OUTPUT AIR TEMP.SENSOR [ OK ]
BATTERY [ OK ]
(Error code 00 40 00 00)
Input air temperature : 27 degC / 80 degF
Output air temperature : 65 degC / 149 degF
SET RUNTIME 1857 H
POWER ON 248 times
LAMP1 ON 177 times
LAMP1 LOW 0 H
LAMP1 HIGH 68 H
LAMP2 ON 183 times
LAMP2 LOW 0 H
LAMP2 HIGH 75 H
LAMP1 REMAIN 1432 H
LAMP2 REMAIN 1425 H

----- Network configuration -----
IP address 192.168.0.8
MAC address 00:00:00:00:00:00
Wed Jan 26 18:54:31 2005

----- Memo -----
```

Adjust clock page

Click [Network set up], then [Adjust clock] to display the Adjust clock page.

Time zone selection

Button to update time zone setting

New date field

Button to update time and date settings

New time field

Note

- If the time becomes incorrect immediately after setting the correct time, then the battery needs to be changed. Contact the dealer where you bought the projector to have the battery changed.

Network config page

Set this to ON to enable the DHCP client function.

Enter the IP address if DHCP server is not used.

Enter the port number here. Number 80 is normally used.

Enter the net mask if DHCP server is not used.

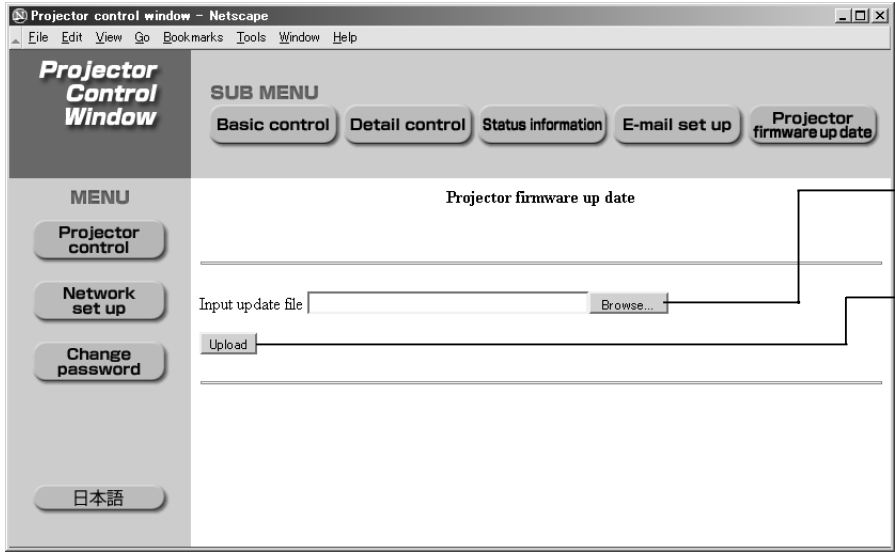
Enter the gateway address if DHCP server is not used.

Enter the name of the projector here. Enter the host name here if it is required when the DHCP server is going to be used, for instance.

How to use network function (optional)

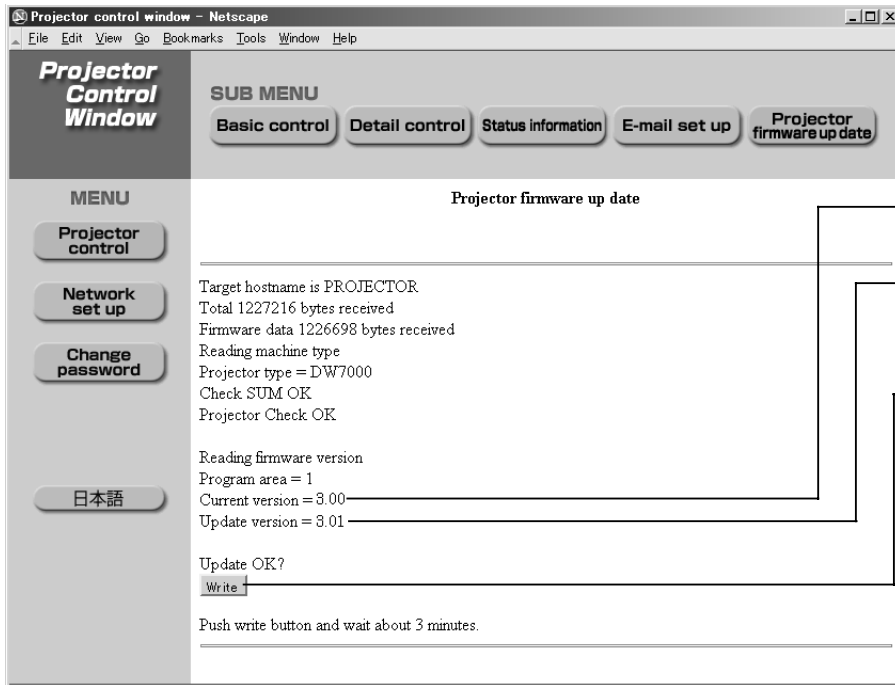
Firmware update page

(The firmware should be updated only by an individual with the specialized knowledge required to do this.)



Enter here the filename of the firmware to be updated.

After entering the filename, press the [Upload] button. Data transfer is now commenced. It will take several dozen seconds for the data to be transferred. The time taken will differ depending on the network conditions.

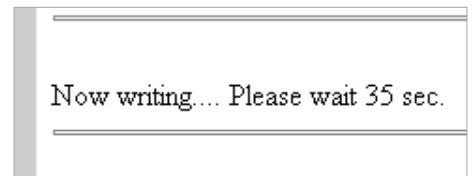
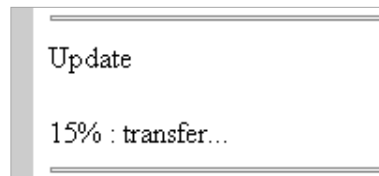
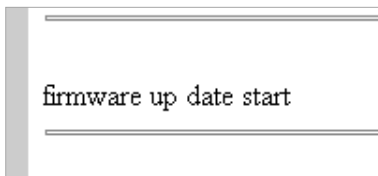


Displays the current version.

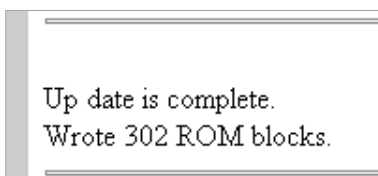
Displays the updated version.

Check the updated version against the current version, and if everything is in order, press the [Write] button. Version data rewriting is now commenced. Do not turn off the power while the version data is being rewritten.

- Messages such as the ones shown below appear during data rewriting.



- The following message appears upon completion of the version data rewriting.



■ Returning the network function setting back to the factory setting

Using the following procedure, the user can return all settings of network function such as IP address, password and Email setting to the factory setting.

Procedure of setting

MAIN MENU	
PICTURE	
POSITION	
ADVANCED MENU	
LANGUAGE	
OPTION	
TEST PATTERN	
SIGNAL LIST	
SECURITY	

▲▼:MENU SELECT
ENTER:SUB MENU

OPTION	
PROJECTOR ID	2
SETTING	FRONT-F
LAMP SELECT	DUAL
LAMP POWER	HIGH
RS232C SETTING	
OSD POSITION	2
SYSTEM INFORMATION	
COLOR MATCHING	3COLORS
VIDEO SETTING	
NETWORK SETTING	

▲▼:MENU SELECT
ENTER:SUB MENU

NETWORK SETTING	
HOST NAME	PROJECTOR
DHCP	OFF
IP ADDRESS	192.168. 0. 8
PORT	80
NET MASK	255.255.255. 0
GATEWAY	192.168. 0. 1
MAC ADDRESS	00.00.00.00.00.00

STORE

▲▼:MENU SELECT
ENTER:ADJUST

WOULD YOU LIKE TO CANCEL ALL NETWORK SETTINGS BACK TO FACTORY SHIPMENT STATUS?

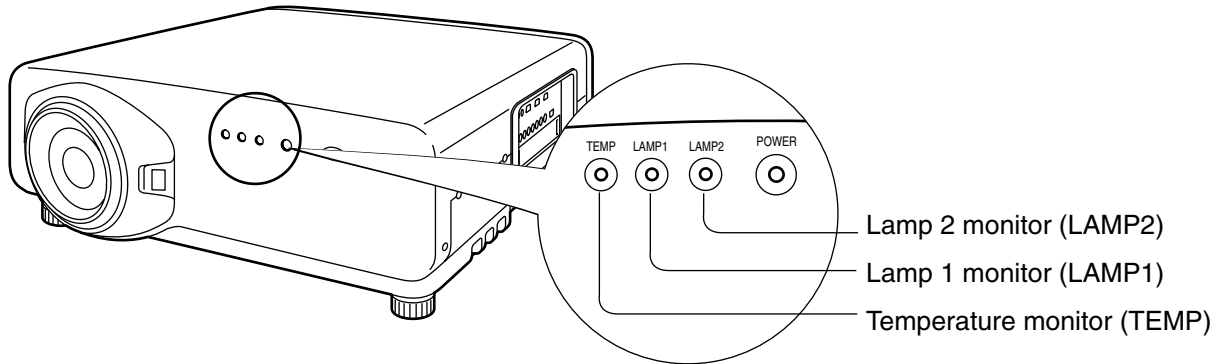
OK ESC




◀▶:CHANGE ENTER:SET

- ① **Press the “MENU” button.**
The MAIN MENU screen will be displayed.
- ② **Select “OPTION” with the ▲ ▼ buttons.**
- ③ **Press the “ENTER” button.**
The OPTION screen will be displayed.
- ④ **Select “NETWORK SETTING” with the ▲ ▼ buttons.**
- ⑤ **Press the “ENTER” button.**
The NETWORK SETTING screen will be displayed.
- ⑥ **Select “STORE” with the ▲ ▼ buttons.**
- ⑦ **Hold down the “Standard (STD)” button for 3 seconds.**
A confirmation screen will be displayed. To cancel, press the “MENU” button. The NETWORK SETTING screen will be displayed.
- ⑧ **Press the “ENTER” button.**
The IP address, password, E-mail settings and all the other network function settings are returned to the factory defaults.

Indication of monitor lamp

Three monitor lamps are provided at the top of main unit front to inform the user of the lamp replacement time and unusual internal temperature. These lamps indicate the degree of abnormality by combination of blinking and/or lighting lamps. Turn off the power and take the proper measure according to the table below.



Name of monitor lamp	Lamp indication	Information	Checkpoint	Remedial measure
Temperature monitor TEMP 	Lighting in red (lamp unit ON)	Warm-up status	<ul style="list-style-type: none"> Did you turn on the power when the ambient temperature was low (approx. 0 °C)? 	<ul style="list-style-type: none"> Wait about five minutes in the current status. Install the unit in a location having an ambient temperature from 0 to 40 °C.
		High temperature inside. (WARNING)	<ul style="list-style-type: none"> Check if the ventilation port is blocked. Is the room air temperature too high? Check the air filter for clogging. 	<ul style="list-style-type: none"> Remove the object that is blocking the ventilation port. Move the projector to a temperature of 0 to 40 °C and the humidity of 20 to 80% (no condensation). Turn off the MAIN POWER switch using the procedure on page 36 and clean the air filter (refer to page 99).
	Blinking in red (2 times)	High temperature inside (Standby condition)		<ul style="list-style-type: none"> Turn off the main power supply (MAIN POWER) switch in the procedure shown on page 36 and consult the distributor.
Lamp monitor LAMP1 LAMP2  	Lighting in red	Indicates the time for replacing the lamp unit.	<ul style="list-style-type: none"> Did you notice a "REPLACE THE LAMP" message on the screen when turning on the projector power supply? 	<ul style="list-style-type: none"> This lamp monitor lights up when the lamp unit used hours have reached 1 300 hours (3 800 hours when Long Life Lamp Units are used). Request the dealer to replace the lamp unit.
		Blinking in red (3 times)	Error is detected in the lamp circuit.	<ul style="list-style-type: none"> Did you turn the power back on immediately after turning it off? Some error has arisen in the lamp circuit. Check for fluctuation (or drop) in the source voltage.

Attention • Be sure to observe the procedure (How to turn "ON" and "OFF" the power supply) on page 35–36 when performing power supply operation to take a measure to the indication of temperature monitor (TEMP) lamp and lamp monitor (LAMP) lamp.

Cleaning and replacement of air filter

If too much dust is deposited in the air filter, temperature inside the main unit will rise and the temperature monitor (TEMP) lamp blinks, eventually turning off the power supply.

Clean the air filter section once every 100 hours or so as a guideline depending on the location of projector operation.

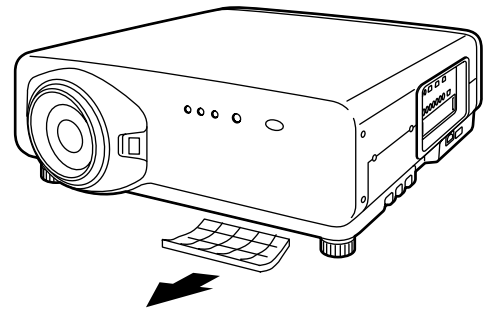
■ Procedure of cleaning

① Turn off the main power and remove the power plug from the receptacle.

Turn off the power supply observing the procedure (How to turn "OFF" the power supply) on page 36 and then remove the power plug.

② Dismantle the air filter.

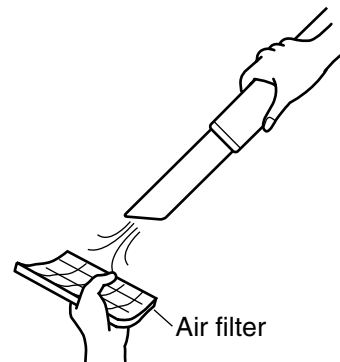
Put a hand in the bottom of the air filter, take out the filter from the main unit while pulling toward yourself.



③ Clean the air filter.

Suck off deposited dust with a vacuum cleaner.

Attention • Be careful not to suck in the air filter itself.



④ Mount the air filter.

Set the air filter and then mount the filter in the reverse order to step ②.

Attention • The air filter must be fitted in place when using the projector. Using the projector without the air filter fitted inside, dirt and dust are sucked into the projector, causing failure.

Note • If cleaning cannot remove the dust completely, then it is a sign to replace the air filter. Consult the dealer. In addition, when the lamp unit is replaced, also replace the air filter.

Replacement of lamp unit

CAUTION

- Wait until the lamp is cooled sufficiently before replacing the lamp unit.

Precautions on lamp unit replacement

- Be careful when handling a light source lamp. The lamp unit has high internal pressure. If improperly handled, failure might result.
- A used lamp unit may burst if it is handled violently. For disposition of used lamps, request an industrial waste disposal contractor.
- Do not reset the cumulative time, except when the lamp unit has been replaced with a new unit.
- If you continue to use a lamp after the replacement time, the lamp may break.
- Philips screwdriver is necessary when replacing a lamp unit. Take care not to slip your hand when using a screwdriver.

Attention

- A lamp unit is an optional part. Contact the dealer.
Replacement Lamp Unit model No.:
ET-LAD7700 (single bulb),
ET-LAD7700W (double bulbs)
Rating: 300W
Long Life Lamp Unit model No.:
ET-LAD7700L (single bulb),
ET-LAD7700LW (double bulbs)
Rating: 160W
- Other lamps than specified above cannot be used. Be sure to use the specified lamp.

■ Timing of lamp unit replacement

The lamp used for the light source has its due life. The life of light source lamp used in the main unit is 1 500 hours^{※1} (when lamp output is HIGH and lamp selection is DUAL). However, it may happen that the lamp becomes dead (will not light) by the time of 1 500 hours^{※1} depending on the characteristics of individual lamps and working conditions (lamps may reduce their life affected by the times of lighting and the intervals between previous lighting and next lighting). Therefore, it is strongly recommended for the user to keep a spare bulb.

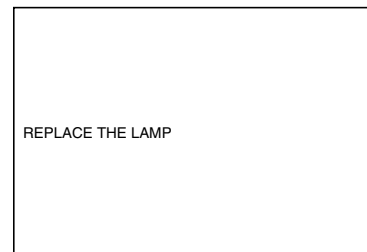
If your lamp unit is not replaced after 1 300 hours^{※2} (with the lamp output set at "HIGH"), power supply will be turned off automatically at the time of 1 500 hours^{※1}, entering a standby state. After 1 500 hours^{※1} of initial lighting, power supply is turned off automatically about 10 minutes later, entering a standby state even if it is turned on again.

● Indication after 1 300 hours^{※2} (with the lamp output set at "HIGH")

When lamp unit used hours have reached 1 300 hours^{※2}, lamp monitor (LAMP1 or LAMP2) light up including standby state.

Further, an on-screen indication will appear for about 30 seconds as shown in the diagram on the right, recommending replacement of lamp unit. (The indication on the below diagram will disappear after about 30 seconds or when either control button on the rear of main unit or remote control button is operated.)

After the time of 1 500 hours^{※1}, the on-screen indication will not disappear unless the menu (MENU) button is operated.



※1 This time period is 4 000 hours when Long Life Lamp Units are used.

※2 This time period is 3 800 hours when Long Life Lamp Units are used.

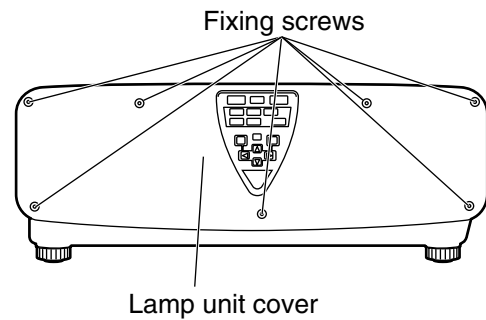
■ Procedure of lamp unit replacement

- Caution** • After 1 500 hours (4 000 hours when Long Life Lamp Units are used) of operating the same lamp, it is only possible to operate the unit for approximately 10 minutes. Steps 9 to 15 must be completed within ten minutes.

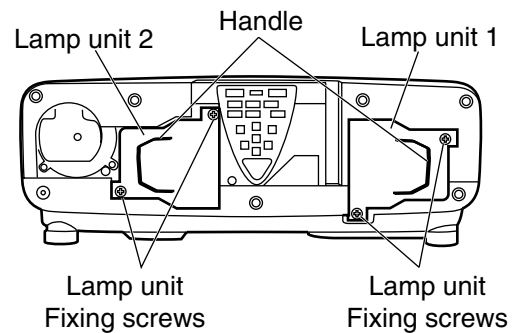
1. Turn the power off by following the steps on pages 35 ~ 36, remove the power plug and confirm that the surroundings of the lamp unit have cooled off.

2. Using a Phillips screwdriver, remove the 7 screws on the lamp unit cover located on the rear of the projector.

3. Remove the lamp unit cover from the main unit.



4. Use a Phillips screwdriver to loosen each of the two lamp unit fixing screws until the screws turn freely. Then hold the handle of the lamp unit and gently pull it out from the projector.



Caution

The lamp unit will be hot after it has been used.

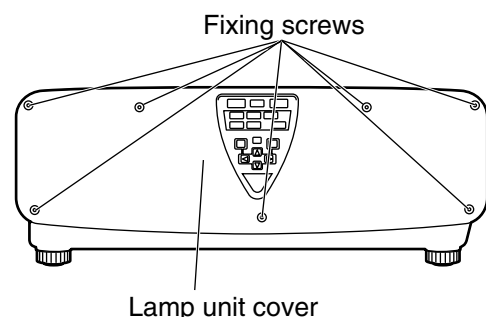
You might get burned if you touch it while it is still hot.

5. Install the new lamp unit.

6. Use a Phillips screwdriver to securely tighten the two lamp unit fixing screws for each lamp unit.

7. Install the lamp unit cover, and then use a Phillips screwdriver to securely tighten the lamp unit cover fixing 7 screws.

- Caution** • Firmly install the lamp unit and lamp unit cover. If not installed firmly, a protection circuit will function and the power will not be turned on.



Replacement of lamp unit

8. Insert the power cord plug into the wall outlet and then press the MAIN POWER switch.

Caution • If the power does not turn on (power indicator lamp (red) does not turn on) even after turning the MAIN POWER switch “I”, turn the MAIN POWER “O”, confirm that the lamp unit and door are installed correctly, and turn on again.

9. Press the “I” (POWER) button so that a picture is projected onto the screen.

10. Press the “MENU” button to display the MAIN MENU screen, and then press the ▲ and ▼ buttons to move the cursor to select “OPTION”.

MAIN MENU	
PICTURE	
POSITION	
ADVANCED MENU	
LANGUAGE	
OPTION	
TEST PATTERN	
SIGNAL LIST	
SECURITY	

11. Press the “ENTER” button to display the “OPTION” screen, and select “SYSTEM INFORMATION” with the ▲ and ▼ buttons.

OPTION	
PROJECTOR ID	2
SETTING	FRONT-F
LAMP SELECT	DUAL
LAMP POWER	HIGH
RS232C SETTING	
OSD POSITION	2
SYSTEM INFORMATION	
COLOR MATCHING	3COLORS
VIDEO SETTING	
AUTO SETUP	

▲▼:MENU SELECT
ENTER:SUB MENU

12. Press the “ENTER” button.
The SYSTEM INFORMATION screen will be displayed.

SYSTEM INFORMATION		
ROM VERSION:		1.00
SET RUNTIME:		1433h
LAMP1	TYPE:	LAD7700
	LOW:	0h
	HIGH:	1433h
	TOTAL:	1433h
LAMP2	TYPE:	LAD7700
	LOW:	0h
	HIGH:	1100h
	TOTAL:	1100h

13. Press and hold the “ENTER” button on the projector or the remote control for approximately 3 seconds.

An item “LAMP RESET” will be added.

14. Select the lamp which has been replaced with the ▲ and ▼ buttons.

LAMP1: Replace the LAMP UNIT 1
LAMP2: Replace the LAMP UNIT 2

LAMP RESET		
LAMP1		
	LAD7700	1433h
	LAD7700L	0h
LAMP2		
	LAD7700	1100h
	LAD7700L	0h

▲▼:SELECT ENTER:EXECUTE

15. Press the “ENTER” button. When “OK?” is displayed, press the “ENTER” button.

The used hours of the specified lamp unit will be reset to zero.

When more than one lamp has been replaced, repeat the procedure from step 14.

LAMP RESET			OK?
LAMP1			
	LAD7700	1433h	
	LAD7700L	0h	
LAMP2			
	LAD7700	1100h	
	LAD7700L	0h	

Before asking for service . . . try to check the following points again.

Symptoms	Checkpoint
Power does not turn on	<ul style="list-style-type: none"> • Is the power cord securely plugged in the receptacle? • Is the MAIN POWER switch put to the “O” position? • Is power supply live at the receptacle? • Is the temperature monitor (TEMP) lamp on the projector front lighting or blinking? (Refer to page 98.) • Is the lamp monitor (LAMP) lamp on the projector front lighting or blinking? (Refer to page 98.) • Is the lamp unit cover completely attached? • Was operation of ID setting made in a correct way? (Refer to pages 16 and 66.)
No image appears on screen	<ul style="list-style-type: none"> • Is the lens covered with the cap? • Is the screen image input connected in a correct manner? • Is the device(s) connected to the projector working normally? • Is the shutter function used? (Refer to page 44.)
Screen image is blurred	<ul style="list-style-type: none"> • Is the lens in focus? (Refer to page 37.) • Is the projection distance adequate? (Refer to pages 19-20.) • Is the lens dirty? • Is the projector placed vertical to the screen? (Refer to page 18.)
Pale color / bad color tint	<ul style="list-style-type: none"> • Are color strength and color tint correctly adjusted? (Refer to page 48.) • Is the device(s) connected to the projector adjusted correctly?
Remote control does not function	<ul style="list-style-type: none"> • Are dry batteries consumed? • Is polarity correct in battery setting? (Refer to page 15.) • Are there any obstacle between the remote control and the beam receiving window? (Refer to page 15.) • Are you trying to operate the remote control beyond the effective range? (Refer to page 15.) • Is the remote 2 (REMOTE2) terminal used for external control? (Refer to page 78.) • Is any external light interfering with the remote control operation? • Was operation of ID setting made in a correctly way? (Refer to pages 16 and 66.)
Abnormal image on the screen	<ul style="list-style-type: none"> • Is the input selector set to correct position? (Refer to page 65.) • Is the correct signaling system selected? (Refer to page 65.) • Are there any malfunctions on the source side, such as bad video tape? • Are you supplying a signal that is not compatible with the projector? (Refer to page 106.)
Images from PC are not projected	<ul style="list-style-type: none"> • Is the cable too long? • Is the correct signal destination set for notebook computer screen image? Use [Fn] and [F3] keys for setting. (For details, refer to the instruction manual of the computer.)

Specifications

Model No.	PT-D7700U	PT-DW7000U
Power supply	AC 120 V~, 50 Hz/60 Hz	
Power consumption	800 W (about 15 W in standby without fan running)	
DLP™ panel Panel size Display system Number of pixels	0.95 inch (aspect ratio 4:3) Three-unit DMD™ element, DLP™ type 3 x 1 470 000 pixels (1 400 x 1 050 dots)	0.85 inch (aspect ratio 16:9) Three-unit DMD™ element, DLP™ type 3 x 1 049 088 pixels (1 366 x 768 dots)
Lens Powered zoom Powered focus control	Option	
Projection lamp	2 bulbs x 300 W UHM lamp	
Optical output	7 000 lm	6 000 lm
Applicable scanning frequency For video signal (S-video included) For RGB signal For DVI-D signal For YPBPR signal	<p>Horizontally 15.73 kHz/15.63 kHz, vertically 59.94 Hz/50 Hz Horizontally 15 kHz–100 kHz, vertically 24 Hz–120 Hz, Panasonic Intelligent Auto Scanning (PIAS) system Dot clock frequency 20 MHz–162 MHz</p> <p>EDID1 480p, 576p, 720/60p, 720/59.94p, 720/50p 1 080/60i, 1 080/59.94i, 1 080/50i, 1 080/24sF, 1 080/23.98sF 1 080/30p, 1 080/29.97p, 1 080/25p, 1 080/24p, 1 080/23.98p</p> <p>[480i], horizontally 15.73 kHz, vertically 59.94 Hz [480p], horizontally 31.5 kHz, vertically 59.94 Hz [576i], horizontally 15.63 kHz, vertically 50 Hz [576p], horizontally 31.25 kHz, vertically 50 Hz [720/60p], horizontally 45 kHz, vertically 60 Hz [1 035/60i], horizontally 33.75 kHz, vertically 60 Hz [1 080/60i], horizontally 33.75 kHz, vertically 60 Hz [1 080/50i], horizontally 28.13 kHz, vertically 50 Hz [1 080/24p], horizontally 27 kHz, vertically 24 Hz [1 080/30p], horizontally 33.75 kHz, vertically 30 Hz [1 080/25p], horizontally 28.13 kHz, vertically 25 Hz [1 080/24sF], horizontally 27 kHz, vertically 48 Hz</p> <p>• HD/SYNC, VD terminals are not compliant with 3 value composite SYNC.</p>	
Color system	7 standards (NTSC/NTSC4.43/PAL/PAL-N/PAL-M/SECAM/PAL60)	
Screen size	70 inch–600 inch	
Screen aspect ratio	4:3	16:9
Projection scheme	Menu-selectable from front/rear/ceiling mount, and floor standing	
Contrast ratio	4 000:1 (when “DYNAMIC IRIS” has been set to “3”)	
Interface ports Input module connection slot RGB1 input terminal	<p>One system of input module connection slot</p> <p>1 set, BNC x 5 [For YPBPR input] Y: 1.0 V[p-p] synchronization signal included, PBPR: 0.7 V[p-p] 75 Ω For G-SYNC: 1.0 V[p-p] 75 Ω HD/SYNC: 75 Ω, 1.4–5 Vp-p, positive/negative polarity automatically adjusted VD: 75 Ω, 1.4–5 Vp-p, positive/negative polarity automatically adjusted [For RGB input] 0.7 V[p-p] 75 Ω</p>	

*1. Interlace signals are not supported even when the EDID2 mode is selected.

Interface ports	
RGB2 input terminal	1 set of high-density, D-sub 15p (female) [For YPBPR input] Y: 1.0 V [p-p] synchronization signal included, PBPR: 0.7 V[p-p] 75 Ω [For RGB input] 0.7 V[p-p] 75 Ω For G-SYNC: 1.0 V[p-p] 75 Ω HD/SYNC: TTL, high-impedance, positive/negative polarity automatically adjusted VD: TTL, high-impedance, positive/negative polarity automatically adjusted • HD/SYNC, and VD terminals are not compliant with 3-value direct SYNC.
Video input/output terminal	1 set BNC 1.0 V[p-p] 75 Ω (Active through for Video output)
S-video input terminal	1 set Mini DIN 4p Y 1.0 V[p-p] C 0.286 V[p-p] 75 Ω Compliant with S1 signals
Serial input/output terminal	D-sub 9-pin (female), RS-232C compliant Used for personal computer control
Remote1 input/output terminal	1 set each for M3 pin jack Wired remote control, used for link control
Remote2 terminal	D-sub 9p (female) Used for external control
Length of power supply cord	2.5 m (8.2')
Cabinet	Molded resin
Outside dimensions	Width: 530 mm (20.8"), Height : 200 mm (7.9"), Depth: 569 mm (22.4")
Mass	22 kg (48 lb) (without lens)
Working environment condition	※2.Ambient temperature: 0 to 40 °C (0 to 35 °C when setting for lamp power is HIGH and lamp select is DUAL) Ambient humidity: 10 to 80% (no condensation)
Remote control	
Power source	3 V DC (two AA dry cells)
Operation range	approx. 7 m/23' (in front of beam receiver)
Mass	110 g (0.24 lb) (including dry cells)
Outside dimensions	Width: 50 mm (1.9"), Thickness: 31 mm (1.2"), Depth: 181 mm (7.1")
Option	
Hanging attachment (For high ceiling)	: ET-PKD75
Hanging attachment (For low ceiling)	: ET-PKD75S
Dual attachment	: ET-DFD75
Carrying handle	: ET-HAD75
Projection lens	: ET-D75LE1, ET-D75LE2, ET-D75LE3, ET-D75LE4, ET-D75LE5, ET-D75LE8
DVI-D input module	: ET-MD77DV
Network module	: ET-MD77NT
SD-SDI input module	: ET-MD77SD1
HD/SD-SDI input module	: ET-MD77SD3
Replacement Lamp Unit	: ET-LAD7700 (single bulb), ET-LAD7700W (double bulbs)
Long Life Lamp Unit	: ET-LAD7700L (single bulb), ET-LAD7700LW (double bulbs)
Wireless mouse receiver	: ET-RMRC2

※2.If the projector is used at high altitude (1 400 to 2 700 m), the value for allowable ambient temperature should be lowered by 5 °C.

Appendix

<Compatible RGB/YPbPr Signals>

The following table specifies the types of RGB/ YPbPr signals compatible with the projector.

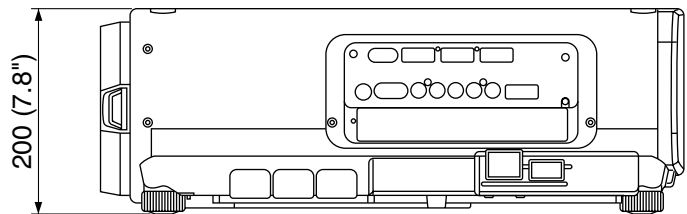
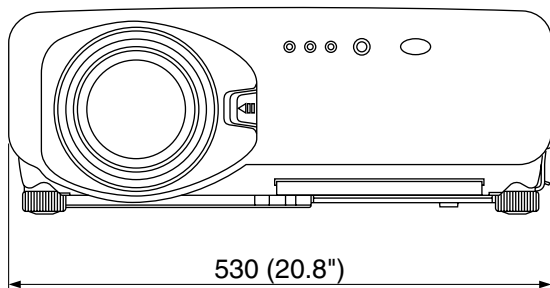
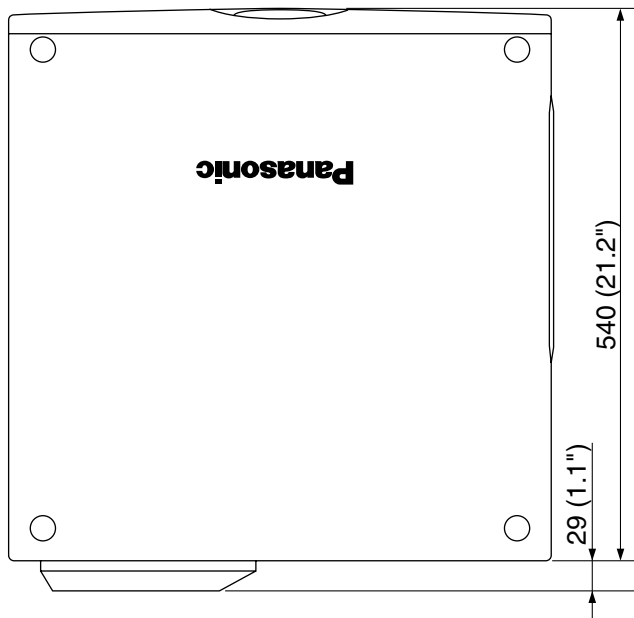
RGB signals can also be input within the range of fH=15 kHz–100 kHz, fV=24 Hz–120 Hz, dot clock=20 MHz–162 MHz.

Display mode	Applicable input signal data		
	Number of displayed dots	Horizontal scanning frequency (kHz)	Vertical scanning frequency (Hz)
VGA400	640 x 400	24.8	56.4
	640 x 400	31.5	70.1
VGA480	640 x 480	31.5	59.9
	640 x 480	35.0	66.7
	640 x 480	37.9	72.8
	640 x 480	37.5	75.0
	640 x 480	43.3	85.0
SVGA	800 x 600	32.1	51.0
	800 x 600	35.2	56.3
	800 x 600	37.9	60.3
	800 x 600	48.1	72.1
	800 x 600	46.9	75.0
	800 x 600	53.7	85.1
XGA	1 024 x 768	48.4	60.0
	1 024 x 768	56.5	70.1
	1 024 x 768	60.0	75.0
	1 024 x 768	65.5	81.6
	1 024 x 768	68.7	85.0
	1 024 x 768i	35.5	86.8
	1 024 x 768	80.7	100.8
	1 024 x 768	94.0	120.0
MXGA	1 152 x 864	63.9	70.0
	1 152 x 864	67.5	75.0
	1 152 x 864	77.1	85.0
	1 120 x 750	50.1	60.1
	1 120 x 750i	32.6	80.0
SXGA	1 280 x 1 024	52.4	50.0
	1 280 x 1 024	64.0	60.0
	1 280 x 1 024	78.2	71.7
	1 280 x 1 024	80.0	75.0
	1 280 x 1 024	91.2	85.0
	1 280 x 1 024i	46.2	86.0
	1 280 x 1 024i	47.6	88.9
SXGA+	1 400 x 1 050	65.2	60.0
	1 400 x 1 050	78.8	72.0
	1 400 x 1 050	82.2	75.0
UXGA	1 600 x 1 200	75.0	60.0
MAC16	832 x 624	49.7	74.6
MAC21	1 152 x 870	68.6	75.0
1080 / 60i	1 920 x 1 080i	33.75	60.0
720 / 60p	1 280 x 720	45.0	60.0
480i	720 x 480i	15.7	59.9
576i	720 x 576i	15.6	50.0
480p	720 x 483	31.5	59.9
576p	720 x 576	31.25	50.0

- Note**
- The number of display dots of the PT-D7700U is 1 400 x 1 050. If signals with a number of display dots differing from the data listed above are supplied, they will be converted into signals with 1 400 x 1 050 dots and displayed.
 - The number of display dots of the PT-DW7000U is 1 366 x 768. If signals with a number of display dots differing from the data listed above are supplied, they will be converted into signals with 1 366 x 768 dots and displayed.
 - Character “i” that follows the number of displayed dots stands for interlace signal.
 - Flicker (line flicker) will be caused in images if interlace signals are connected.

Outside dimensions

<Units: mm (inch)>



Note:

Purchase of this equipment includes the rights to use this software (the built-in microcomputer and information recorded on ROMs) but does not grant copyrights. Do not reverse engineer, change or modify the software. The guarantee will not be valid for any malfunctions caused by such actions.

Trademark Acknowledgement

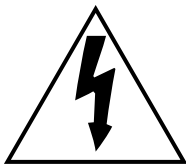
- Digital Light Processing, DLP, and Digital Micromirror Device, DMD are registered trademarks of the Texas Instruments.
- VGA and XGA are trademarks of International Business Machines Corporation.
- S-VGA is a registered trademark of the Video Electronics Standards Association.
- "Microsoft Windows" is a registered trademark of the Microsoft Corporation (U.S.A.) in the U.S. and other countries.
- "Netscape" and "Netscape Navigator" are registered trademarks of the Netscape Communications Corporation in the U.S. and other countries.
- HDMI, the HDMI logo and High-Definition Multimedia Interface are the trademarks or registered trademarks of HDMI Licensing LLC.
- Patent No. 5,717,422

All other trademarks are the property of the various trademark owners.

NOTES IMPORTANTES

CONCERNANT LA SÉCURITÉ

AVERTISSEMENT: POUR RÉDUIRE LES RISQUES DE FEU OU DE CHOC ÉLECTRIQUE, NE PAS EXPOSER CE PRODUIT À L'EAU OU À L'HUMIDITÉ



Le symbole de la flèche en forme d'éclair, dans un triangle, avertit l'utilisateur de la présence de "tensions dangereuses" à l'intérieur du produit qui peuvent être de force suffisante pour constituer un risque de choc électrique aux personnes.

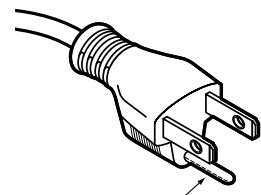


Le point d'exclamation dans un triangle avertit l'utilisateur de la présence d'instructions importantes concernant l'utilisation et l'entretien (réparation) dans la littérature accompagnant le produit.

ATTENTION:

Cet appareil est équipé d'une fiche de courant à trois broches avec mise à la terre. Ne pas retirer la broche de mise à la masse de la fiche.

Cette fiche ne pourra être utilisée que dans une prise avec mise à la terre. Ceci est une précaution sécuritaire. S'il est impossible d'insérer la fiche dans la prise, s'adresser à un électricien. Ne pas annuler la protection de la fiche à mise à la terre.



Ne pas retirer

AVERTISSEMENT:

Ne peut être utilisé dans une salle d'ordinateurs telle que définie dans la norme ANSI/NFPA 75 Standard for Protection of Electronic Computer/Data Processing Equipment.

Précautions concernant la sécurité

AVERTISSEMENT

En cas de problème (pas d'image), ou si le projecteur dégage de la fumée ou une odeur étrange, éteindre l'appareil et débrancher immédiatement la fiche d'alimentation de la prise de courant.

- Ne pas continuer d'utiliser le projecteur dans ces cas, autrement cela peut entraîner un incendie ou des chocs électriques.
- Après s'être assuré que de la fumée ne se dégage plus, s'adresser à un centre technique agréé et demander que les réparations nécessaires soient faites.
- Le fait de réparer le projecteur soi-même est très dangereux, et ne doit jamais être fait.

Ne pas installer ce projecteur dans un endroit qui n'est pas assez résistant pour supporter le poids du projecteur.

- Si l'emplacement d'installation n'est pas assez résistant, le projecteur risque de tomber et causer de graves blessures et (ou) des dommages..

Demander à un technicien qualifié d'installer le projecteur par exemple s'il est installé au plafond.

- Si l'installation n'est pas faite correctement, cela peut entraîner des blessures ou des chocs électriques.

Si de l'eau ou des objets étrangers entrent dans le projecteur, si le projecteur tombe, ou si le boîtier est endommagé, éteindre l'appareil et débrancher immédiatement la fiche d'alimentation de la prise de courant.

- Si l'on continue d'utiliser le projecteur dans ces conditions, cela peut entraîner un incendie ou des chocs électriques.
- S'adresser à un centre technique agréé pour que les réparations nécessaires puissent être faites.

Ne pas couvrir le filtre et la sortie d'air.

- Cela risque de faire surchauffer le projecteur, et causer un incendie ou endommager le projecteur.

Ne pas surcharger la prise de courant.

- Si l'alimentation est surchargée (par exemple, par l'utilisation de trop d'adaptateurs), cela risque de faire surchauffer le projecteur et peut entraîner un incendie.

Ne pas retirer le couvercle ou le modifier.

- Des hautes tensions qui peuvent causer de graves blessures sont présentes à l'intérieur du projecteur.
- Pour toute inspection, réglage ou réparation, s'adresser à un centre technique agréé.

Nettoyer la fiche du cordon d'alimentation régulièrement afin d'éviter toute accumulation de poussière.

- Si de la poussière s'accumule sur la fiche du cordon d'alimentation, l'humidité peut endommager l'isolant et entraîner un incendie. Débrancher le cordon d'alimentation de la prise de courant et l'essuyer avec un chiffon sec.
- Si le projecteur ne sera pas utilisé pendant une période prolongée, débrancher le cordon d'alimentation de la prise de courant.

Faire attention de ne pas endommager le cordon d'alimentation.

- Ne pas endommager le cordon d'alimentation, ne pas le modifier, ne pas placer d'objets lourds, ne pas le chauffer, ne pas le placer près d'objets chauffants, ne pas le tordre, ne pas le plier ou le tirer excessivement et ne pas le rouler en boule.
- Si le cordon d'alimentation est endommagé, cela peut entraîner un incendie et des chocs électriques.
- Si le cordon d'alimentation est endommagé, le faire réparer par un centre technique agréé.

Ne pas manipuler le cordon d'alimentation avec les mains mouillées.

- Cela peut entraîner des chocs électriques.

Précautions concernant la sécurité

Brancher la fiche du cordon d'alimentation fermement dans la prise de courant.

- Si la fiche n'est pas complètement insérée, cela peut entraîner des chocs électriques ou la faire surchauffer.
- Si la fiche est endommagée ou la plaque de la prise est desserrée, elles ne devraient pas être utilisées.

Ne pas placer le projecteur sur des surfaces instables.

- Si le projecteur est placé sur une surface qui est inclinée ou instable, il risque de tomber ou de se renverser et cela peut causer des blessures ou des dommages.

Ne pas placer le projecteur dans l'eau ou ne pas le laisser se mouiller.

- Sinon cela peut causer un incendie ou des chocs électriques.

Ne pas placer des récipients de liquide sur le projecteur.

- Si de l'eau se renverse sur le projecteur, s'adresser à un centre technique agréé.
- Si n'importe quel liquide s'infiltre à l'intérieur du projecteur, entrer en contact avec un centre commercial autorisé.

Ne démontez pas le bloc lampe.

- Une rupture de la lampe peut provoquer une blessure corporelle.

Ne pas mettre d'objets étrangers dans le projecteur.

- Ne pas insérer d'objets métalliques ou inflammables dans les orifices de ventilation ou les faire tomber sur le projecteur, car cela peut causer un incendie ou des chocs électriques.

Après avoir retiré la pile de la télécommande, la garder hors de la portée des enfants.

- Si avalée, la pile peut causer la mort par suffocation.
- Si la pile est avalée, s'adresser à un médecin immédiatement.

Ne pas laisser les bornes + et - de la pile entrer en contact avec des objets métalliques tels que des colliers ou des épingles à cheveux.

- Cela peut faire que la pile fuit, surchauffe, éclate ou prend feu.
- Garder la pile dans un sachet en plastique et la maintenir éloignée des objets métalliques.

Isoler la pile à l'aide de ruban ou autre avant de la mettre au rebut.

- Si la pile entre en contact avec des objets métalliques ou d'autres piles, elle peut prendre feu ou éclater.

Le remplacement de l'unité de lampe ne devrait être effectué que par un technicien qualifié.

- Le bloc de lampe a une haute pression interne. S'il est mal manipulé, une explosion peut s'ensuivre.
- Le bloc de lampe peut être facilement endommagé s'il est cogné contre des objets durs ou si on le laisse tomber, pouvant entraîner des blessures ou des mauvais fonctionnements.

Attention

Ne pas installer le projecteur dans des endroits humides ou poussiéreux ou dans des endroits où le projecteur peut entrer en contact avec de la fumée ou la vapeur.

- L'utilisation du projecteur dans de telles conditions peut causer un incendie ou des chocs électriques.

Pour débrancher le cordon d'alimentation, tenir la fiche et non pas le cordon.

- Si le cordon d'alimentation est tiré, le cordon sera endommagé et cela peut causer un incendie, des courts circuits ou des chocs électriques sérieux.

Débrancher toujours tous les câbles avant de déplacer le projecteur.

- Le fait de déplacer le projecteur avec des câbles branchés peut endommager les câbles, ce qui pourrait causer un incendie ou des chocs électriques.

Ne pas placer d'objets lourds sur le projecteur.

- Cela peut déséquilibrer le projecteur et le faire tomber, ce qui peut entraîner des dommages ou des blessures.

Ne pas court-circuiter, chauffer ou démonter la pile et ne pas la placer dans l'eau ou le feu.

- Cela peut faire que la pile fuit, surchauffe, éclate ou prenne feu et causer des brûlures ou autres blessures.

Lors de l'insertion de la pile, s'assurer que les polarités (+ et -) sont correctes.

- Si la pile est insérée incorrectement, elle peut éclater ou fuir et cela peut causer un incendie, des blessures ou la contamination du compartiment des piles.

N'utiliser que la pile indiquée.

- Si une pile incorrecte est utilisée, elle peut éclater ou fuir et cela peut causer un incendie, des blessures ou la contamination du compartiment des piles.

Ne pas regarder directement dans la lentille pendant que le projecteur fonctionne.

- Une lumière intense est émise par la lentille du projecteur. Si l'on regarde directement dans cette lumière, elle risque de causer des blessures et de graves lésions aux yeux.

Ne pas placer les mains ou autres objets près de la sortie d'air.

- De l'air chaud sort par l'ouverture de sortie d'air. Ne pas placer les mains ou le visage, ou d'autres objets qui ne peuvent résister à la chaleur près de cette sortie d'air, sinon cela peut causer des blessures ou des dommages.

N'utilisez pas un bloc lampe usagé.

- Cela peut entraîner une rupture de la lampe.

Débrancher la fiche du cordon d'alimentation de la prise de courant comme mesure de sécurité avant d'effectuer tout nettoyage.

- Sinon cela peut causer des chocs électriques.

Demander à un centre technique agréé de nettoyer l'intérieur du projecteur au moins une fois par an.

- S'il n'est pas nettoyé et que la poussière s'accumule à l'intérieur du projecteur, cela peut causer un incendie ou des problèmes de fonctionnement.
- Il est recommandé de nettoyer l'intérieur du projecteur avant que la saison humide n'arrive. Demander au centre technique agréé le plus proche de nettoyer le projecteur lorsque cela est requis. Se renseigner auprès du centre technique agréé pour le coût du nettoyage.

Nous faisons tous les efforts possibles afin de préserver l'environnement. Prière d'apporter l'appareil, s'il n'est pas réparable, à votre revendeur ou à un centre de recyclage.

Précautions pour la manipulation

■ Précautions pour le transport

L'objectif de projection est sensible aux vibrations et aux impacts. Vous devez toujours retirer l'objectif pendant le transport.

■ Précautions pour l'installation

Observez les précautions suivantes à l'installation du produit.

- **Évitez d'installer le produit à un emplacement exposé à des vibrations ou impacts.**

Si le projecteur est installé à un emplacement où des vibrations sont transmises d'une source à puissance motrice et autre, ou monté sur une voiture ou un bateau, des vibrations ou impacts peuvent être transmis au produit qui peuvent endommager les pièces internes, causant une défaillance. Installez le produit à un emplacement exempt de vibrations et d'impacts.

- **N'installez pas le projecteur près de lignes haute tension ou de sources d'énergie.**

Le produit pourrait être exposé à des interférences s'il est installé à proximité de lignes haute tension ou de sources d'énergie.

- **Ne placez pas le projecteur sur une feuille en vinyle ou un tapis.**

Si la feuille de vinyle est aspirée et bloque de port d'admission du filtre à air, la température peut augmenter à l'intérieur du projecteur, ce qui déclenchera le circuit de protection et mettra le projecteur hors tension.

- **Consultez un technicien spécialisé pour l'installation du projet au plafond.**

Si le produit doit être suspendu au plafond, achetez un accessoire de suspension en option (pour plafond haut: modèle n° ET-PKD75) (pour plafond bas: modèle n° ET-PKD75S) et appelez un technicien spécialisé pour l'installation.

- **N'installez pas le projecteur à plus de 2 700 m (8881.5') au-dessus du niveau de la mer. A l'utilisation au-dessus de 1 400 (4605.3') m au-dessus du niveau de la mer, réglez "CTRL.VENTILATEUR", expliqué à la page 73, à "MONTAGNE".** En cas contraire, la durée de vie l'appareil risque d'être raccourcie.

■ Précautions pour l'utilisation

Si le projecteur est utilisé en continu pendant plus de huit heures, un réglage spécial est requis. Consulter un agent de service.

- **Pour visualiser des images nettes:**

- Le public ne peut pas jouir d'un fort contraste et d'images nettes si la lumière extérieure ou l'éclairage interfère avec la surface de l'écran. Tirez les rideaux des fenêtres ou les stores, éteignez l'éclairage près de l'écran ou prenez d'autres mesures adaptées.
- Cas rare, un flottement peut survenir sur l'écran affecté par l'air chaud du port de sortie selon l'environnement.

- **Ne touchez pas la surface de l'objectif de projection les mains nues.**

Si des empreintes de doigts sont laissées sur la surface de l'objectif de projection, elles seront agrandies et projetées sur l'écran. Maintenez vos mains loin de l'objectif. Couvrez l'objectif avec le bouchon d'objectif fourni quand le projecteur n'est pas utilisé.

- **Ecran**

Si l'écran est taché, a des défauts ou est décoloré, des images nettes ne pourront pas être obtenues. En manipulant l'écran, évitez d'appliquer des substances volatiles ou de laisser des imperfections ou taches sur l'écran.

- **Lampe**

Une lampe au mercure à pression interne élevée est utilisée comme source lumineuse de ce produit. Cette lampe a les caractéristiques suivantes.

- Elle peut éclater sous l'effet d'un son fort ou terminer sa vie de service par un non-éclairage à cause de certains impacts, d'imperfections ou d'une détérioration due aux heures d'utilisation.
- La vie de service d'une lampe au mercure varie individuellement et selon les conditions d'utilisation.
- Dans de rares cas, elle peut éclater un peu après son premier allumage.
- La possibilité d'un éclatement augmente quand la lampe est utilisée au-delà du temps de remplacement.

■ Mise au rebut

Contactez le revendeur ou un revendeur spécialisé pour la mise au rebut du produit.

Nettoyage et maintenance

Débranchez bien la fiche du cordon d'alimentation de la prise avant le nettoyage.

Utilisez un chiffon doux et sec pour nettoyer le coffret

Pour les taches rebelles, utilisez un chiffon humidifié de solution détergente de cuisine (neutre) et essorez-le pour essuyer le coffret; finissez avec un chiffon sec. En cas d'utilisation d'un produit chimique, suivez ses instructions.

Ne nettoyez pas la surface de l'objectif avec un chiffon pelucheux ou poussiéreux.

Si de la poussière adhère à l'objectif, elle sera grossie et projetée sur l'écran.

Utilisez un chiffon doux et sec pour éliminer la poussière.

Remplacement de la lampe

CAUTION

- Attendez que la lampe soit refroidie pour effectuer le remplacement.

Précautions pour le remplacement de la lampe

- Soyez prudent en manipulant la lampe source de lumière. La lampe peut éclater si elle est heurtée par des objets solides ou si elle tombe à cause de la forte pression d'air dans l'ampoule.
- Une lampe usée peut éclater si elle est manipulée sans soin.
Contactez une entreprise d'évacuation des déchets industriels pour l'enlèvement des lampes usées.
- Ne remettez pas à zéro la durée cumulée, à moins que le bloc lampe n'ait été remplacé par un bloc lampe neuf.
- Si vous persistez à utiliser une lampe après le moment où elle aurait dû être remplacée, la lampe peut casser.
- Un tournevis Philips est requis pour le remplacement de la lampe.
Faites attention que votre main ne glisse pas en utilisant le tournevis.

Attention

- La lampe est une pièce en option (vendue comme pièce de service). Contactez le revendeur.
Bloc lampe de rechange, modèle n°:
ET-LAD7700 (une ampoule),
ET-LAD7700W (deux ampoules)
Valeurs nominales: 300 W
Bloc lampe longue durée, modèle n°:
ET-LAD7700L (une ampoule),
ET-LAD7700LW (deux ampoules)
Valeurs nominales: 160 W
- Des lampes autres que celles spécifiées cidessus ne sont pas utilisables. Utilisez la lampe spécifiée.

■ Période de remplacement de la lampe

La lampe utilisée comme source lumineuse dans le projecteur a une vie de service de 1 500 heures*¹ (quand la sortie de la lampe est HAUT et la sélection de lampe DOUBLE). Il peut arriver que la lampe soit épuisée (ne s'allume pas) à 1 500 heures*¹ selon les caractéristiques des lampes individuelles et les conditions de travail (la vie de service des lampes peut être réduite par le nombre d'allumages et les intervalles entre les allumages). Il est donc fortement conseillé aux utilisateurs de conserver une ampoule de rechange.

Si la lampe n'est pas remplacée après 1 300 heures*² (avec la sortie de la lampe réglée sur "HAUT"), l'alimentation sera automatiquement coupée à 1 500 heures*¹, avec passage en mode d'attente. 1 500 heures*¹ à partir de l'allumage initial, l'alimentation est automatiquement coupée environ 10 minutes plus tard, avec passage en mode d'attente, même si la lampe est allumée à nouveau.

● Indication après 1 300 heures*² (avec la sortie de la lampe réglée sur "HAUT")

Quand la lampe a été utilisée 1 300 heures*², le témoin de lampe (LAMPE1 ou LAMPE2) s'allume, état d'attente y compris.

Une indication sur écran apparaîtra également environ 30 secondes comme indiqué dans le diagramme de droite, recommandant le remplacement de la lampe. (L'indication dans le diagramme de droite disparaîtra après environ 30 secondes ou quand la touche de commande de l'arrière du projecteur ou de la télécommande est opérée.)

Après 1 500 heures*¹, l'indication sur écran ne disparaîtra pas à moins d'une opération de la touche MENU.



※1 Cette durée est de 4 000 heures lorsque des blocs lampes longue durée sont utilisés.

※2 Cette durée est de 3 800 heures lorsque des blocs lampes longue durée sont utilisés.

Remplacement de la lampe

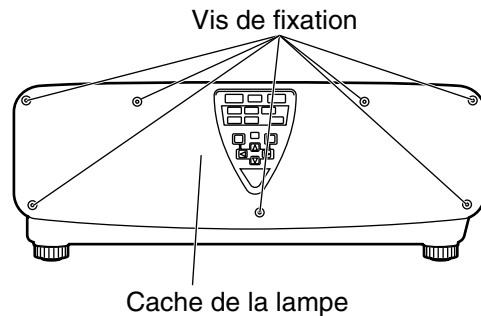
■ Procédure de remplacement de la lampe

Attention

- Au bout de 1 500 heures (4 000 heures lorsque des blocs lampes longue durée sont utilisés) de fonctionnement pour une même lampe, le projecteur ne peut plus fonctionner que pendant environ 10 minutes. Les étapes 9 à 15 doivent être achevées en moins de dix minutes.

1. Mettez hors tension en suivant la procédure de la page 35 à 36, débranchez la fiche électrique et vérifiez que les éléments autour de la lampe ont refroidi.

2. En utilisant un tournevis Phillips, retirez les 7 vis de la porte d'accès à la lampe située à l'arrière du projecteur.



3. Retirez la porte du logement de lampe du projecteur.

Attention

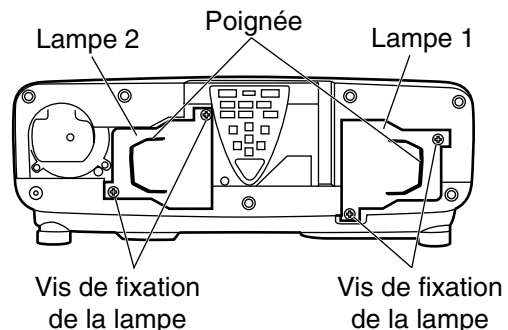
- Faites attention de ne pas casser le cliquet situé au centre de la partie inférieure de la porte d'accès la lampe.

4. Utilisez un tournevis Phillips pour desserrer chacune des deux vis de fixation de la lampe jusqu'à ce qu'elles tournent facilement.

Ensuite, saisissez la poignée de la lampe et tirez doucement pour la sortir du projecteur.

Attention

- La lampe est chaude si elle vient d'être utilisée. Vous risquez de vous brûler si vous la touchez alors qu'elle est encore chaude.



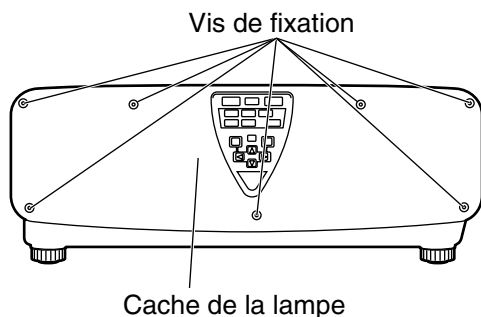
5. Installez la nouvelle lampe.

6. Utilisez un tournevis Phillips pour bien serrer les deux vis de fixation de lampe pour chaque bloc lampe.

7. Remettez en place le cache de la lampe, puis, à l'aide d'un tournevis Phillips, serrez fermement les 7 vis de fixation du cache de la lampe.

Attention

- La lampe et le cache doivent être correctement fixés. Si ce n'est pas le cas, un circuit de protection entre en action et la mise sous tension sera impossible.



8. Branchez la fiche du cordon d'alimentation dans la prise murale et actionnez l'interrupteur MAIN POWER.

Attention

- Si la mise sous tension ne s'effectue pas (le témoin d'alimentation (rouge) ne s'éclaire pas) bien que vous ayez positionné l'interrupteur principal sur " I ", remplacez l'interrupteur principal sur " O ", vérifiez que la lampe et son cache sont correctement installés et effectuez une nouvelle fois la mise sous tension.

9. Appuyez sur la touche "POWER" afin de projeter une image sur l'écran.

10. Appuyez sur la touche "MENU" pour afficher l'écran du menu principal, puis utilisez les touches et pour amener le curseur sur "OPTION" ▲ et ▼ sélectionner cette option.

MENU PRINCIPAL	
IMAGE	
POSITION	
MENU AVANCÉ	
LANGAGE (LANGUAGE)	
OPTION	
MIRE DE TEST	
LISTE SIGNAUX ENREGISTRÉS	
SÉCURITÉ	

11. Appuyez sur la touche "ENTER" pour afficher l'écran "OPTION", et sélectionnez "INFORMATION SYSTÈME" avec les touches ▲ et ▼ sélectionner cette option.

OPTION	
NO PROJ.	2
RÉGLAGES	FAÇADE-SOL
SÉLECTION LAMPE	DOUBLE
PUIS.LAMPE	CHAUD
RÉG.RS232C	
POSITION OSD	2
INFORMATION SYSTÈME	
APPARIEMENT COULEUR	FERMÉ
RÉG.VIDÉO	
RÉG.AUTOMATIQUE	

12. Appuyez sur la touche "ENTER".
L'écran INFORMATION SYSTÈME apparaît.

INFORMATION SYSTÈME	
VERSION ROM:	1.00
TEMPS DE MARCHE:	1433h
LAMPE1	TYPE: LAD7700
	FROID: 0h
	CHAUD: 1433h
	TOTAL: 1433h
LAMPE2	TYPE: LAD7700
	FROID: 0h
	CHAUD: 1100h
	TOTAL: 1100h

13. Maintenez presse la touche "ENTER" sur le projecteur ou sur la telcommande pendant environ 3 secondes.
L'article "RÉINIT.LAMPE" sera ajouté.

RÉINIT.LAMPE	
LAMPE1	
LAD7700	1433h
LAD7700L	0h
LAMPE2	
LAD7700	1100h
LAD7700L	0h

▲▼:SÉLECTIONNER
ENTER:EXÉCUTER

14. Sélectionnez la lampe qui a été remplacée avec les touches ▲ et ▼.
LAMPE1: Remplacez le BLOC LAMPE 1
LAMPE2: Remplacez le BLOC LAMPE 2

15. Appuyez sur la touche "ENTER".
Quand "OUI?" s'affiche, appuyez sur la touche ENTER.
Les heures d'utilisation de la lampe spécifiée seront remises à zéro.
Si plus d'une lampe a été remplacée, répétez la procédure à partir de l'étape 14.

RÉINIT.LAMPE		OUI?
LAMPE1		
LAD7700	1433h	
LAD7700L	0h	
LAMPE2		
LAD7700	1100h	
LAD7700L	0h	

Panasonic[®]

Professional/Industrial Video

Panasonic Broadcast & Television Systems Company

Division of Panasonic Corporation of North America

One Panasonic Way 4E-7 Secaucus, NJ 07094 (201) 392-4443
3330 Cahuenga Blvd West Los Angeles, CA 90068 (323) 436-3500

Technical Support:

(800) 524-1448

(800) 526-6610

FAX: (201) 392-6514

E-Mail: pbtssupport@panasonic.com

Panasonic Canada Inc.

5770 Ambler Drive, Mississauga, Ontario L4W 2T3 (905) 624-5010

© 2005 Matsushita Electric Industrial Co., Ltd. All Rights Reserved.