

The Perfect
Combination
Of Performance,
Reliability
And Value.



ColorView
NATURAL COLOR MATRIX™

The S290U ColorView™ LCD projector from Mitsubishi offers the perfect combination of performance, reliability and value. Whether in the classroom or the boardroom, the fully-featured S290U is lightweight for portability but delivers big, bold presentations. Plus, it's so easy to operate you can concentrate on your audience, not the projector.

- 1600 ANSI lumens for super bright presentations
- Exclusive, award-winning ColorView Natural Color Matrix for rich, vivid colors
- Polysilicon three-panel LCD system; 800 x 600 SVGA native resolution
- Projects images from 40 inches to 300 inches; suitable for front, rear or ceiling mount installations
- 190-watt NSH lamp
- Point-'n-Zoom digital image magnification
- Picture-in-Picture with split screen from two sources
- Accepts S-Video, NTSC, NTSC 4.43, PAL, and SECAM video formats and computer inputs from Apple, IBM, and many workstation computers
- Three-year parts and labor warranty, 90-day warranty on the lamp, toll-free technical support, plus a two-year Emergency Roadside Assistance (ERA) program that guarantees free replacement product shipped overnight for next business day delivery when and where available

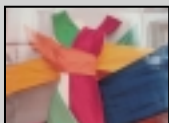




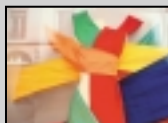
PRESENTATION PRODUCTS

COLORVIEW™ NATURAL COLOR MATRIX

Mitsubishi's award-winning ColorView enables the S290U to produce vivid colors that precisely match their real-life counterparts, as well as giving you the ability to precisely adjust color saturation and control color tones.



Without ColorView

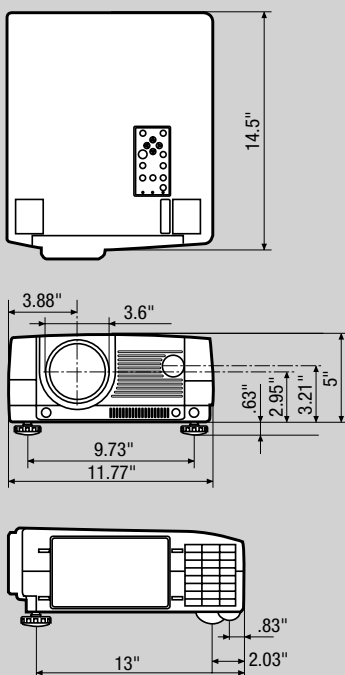


With ColorView

INPUT & OUTPUT TERMINALS



DIMENSIONS

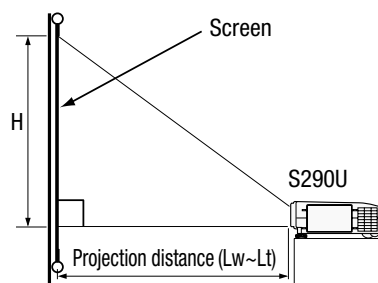


SPECIFICATIONS

Display	1.3" Polysilicon panel x 3
Resolution	True SVGA 800 x 600 with compression for SXGA 1024 x 768, 560 video lines
Brightness	1600 ANSI Lumens
Colors	16,770,000 colors
Contrast Ratio	250:1
Zoom/Focus	Electronically controlled (zoom ratio: 1.3 : 1)
Picture Size	40" ~ 300" diagonal
Lamp	Type: 190 W NSH lamp
Computer Compatibility	Windows based PC, Macintosh, Sync on green
Video Compatibility	NTSC/NTSC 4.43/PAL (including PAL-M, N)/SECAM, PAL-60 DVD (component)
Input Terminals	RGB1: mini D-sub 15 pin x 2; PC audio: stereo mini jack x 2 (3.5mm); Video: BNC x 1 + SVHS x 2 + RCA x 1; Audio: stereo RCA x 2
Output Terminals	RGB: mini D-sub 15 pin x 1; Audio: stereo mini jack x 1 (3.5mm)
Communication Terminals	RS-232C x 1 (direct command is available); wired remote terminal x 1 (3.5mm stereo mini jack); USB terminal x 1
Audio Speaker	2 W stereo
Scanning Rates	Horizontal: 15 - 69 kHz, Vertical: 50 - 85 Hz, Dot clock: max. 100 MHz
Fan Noise	35 dB
Remote Control/Laser Pointer	Wireless type with built-in laser pointer
Power Consumption	280 W
Dimensions (W x H x D)	11.6 x 4.8 x 13.8" (295 x 122 x 350 mm)
Weight	13 lbs. (5.9 kg)
Power Supply	AC 100 ~ 240 V / ±10%, 50/60 Hz
Safety Approvals	CSA, CSA NRT L/C, FCC Class-A
Warranty	Three-year parts and labor; 90 days on lamp. Also includes two-year Emergency Roadside Assistance program that guarantees free replacement projector shipped overnight for next business day when and where available
Accessories	Standard: AC power cable; RGB cable; RS-232C cable; USB cable; remote control; wired cable for remote unit; mouse adapter (PC); lens cap; and user manual Optional: Spare lamp (VLT-X300LP), hard carrying case (X300ATA), ceiling mount kit (X300CM), Mac adapter (video and mouse)
Special Features	ColorView Natural Color Matrix, CineView Video Line-Doubler, power zoom and focus

For more information on the S290U or any of Mitsubishi's other projectors or presentation products, contact Mitsubishi Digital Electronics today. Detailed technical specifications available upon request.

Projector Part Number: S290U



Screen size Inches	Screen size		Projection distance	
	Width	Height(H)	Wide (shortest) Lw	Tele (longest) Lt
40	81	61	155	195
60	122	91	235	296
80	163	122	315	396
100	203	152	394	496
120	244	183	474	597
140	284	213	564	697
160	325	244	634	797
180	366	274	714	898
200	406	305	794	998
300	610	457	1194	-

©2001 Mitsubishi Digital Electronics America, Inc. Standard features, options and specifications subject to change without notice.

Microsoft, Windows, and the Windows logo are registered trademarks of Microsoft Corporation. Mac and the Mac logo are trademarks of Apple Computer, Inc, registered in the U.S. and other countries. All other trademarks or registered trademarks are the property of their respective holders.



Printed on 50% recycled paper including 20% post-consumer fibers, processed chlorine free. Printed with vegetable based inks.

Mitsubishi Digital Electronics America, Inc.
Presentation Products Division
9351 Jeronimo Road
Irvine, CA 92618
Toll Free: 888-880-6351
email: ppdinfo@mdea.me.a.com

www.mitsubishi-presentations.com

Technical Support:
Toll Free: 888-307-0309
Email: tsupport@mdea.me.a.com

Canada:
Mitsubishi Electric Sales Canada Inc.
Information Technologies Group
Markham, Ontario
905-475-7728