

myprojectorlamps.com

**The most trusted, dependable name
in projector lamp sales.**



<http://www.myprojectorlamps.com>



<http://www.myprojectorlamps.ca>



<http://www.myprojectorlamps.eu>

The following projector manual has not been modified or altered in any way.

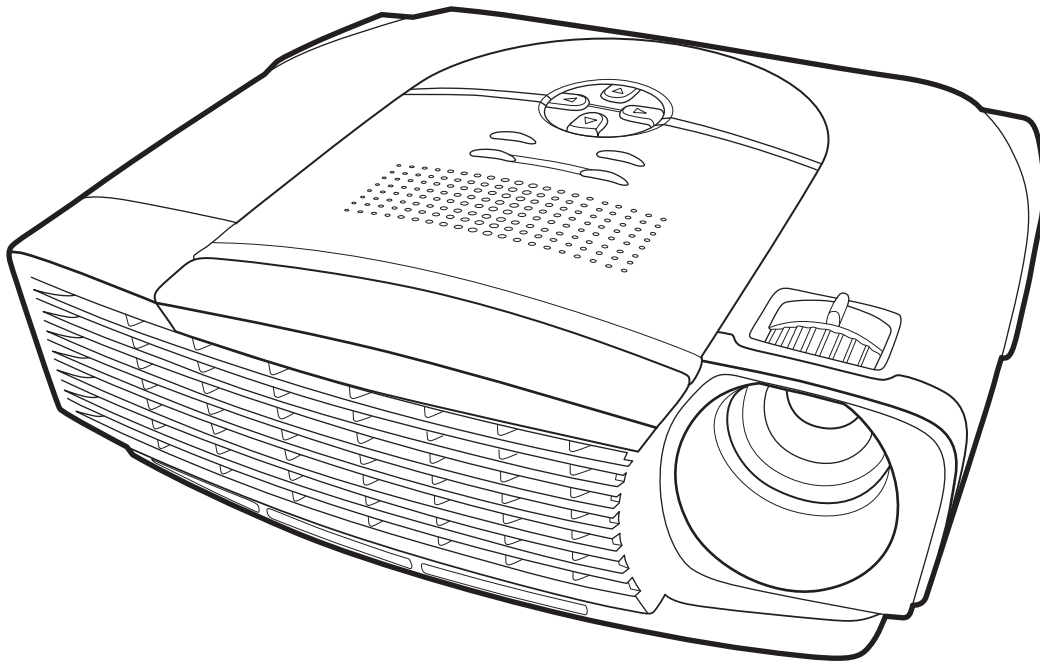
BOXLIGHT

ph: 1.800.762.5757 • fx: 888.353.4242

www.boxlight.com

Raven

User's Manual



FCC NOTICE

This equipment has been tested and found to comply with the limits for a Class B digital device, pursuant to part 15 of the FCC Rules. These limits are designed to provide reasonable protection against harmful interference in residential installation. This equipment generates, uses and can radiate radio frequency energy and if not installed and used in accordance with the instructions, may cause harmful interference to radio communications. However, there is no guarantee that interference will not occur in a particular installation. If this equipment does cause harmful interference to radio or television reception, detectable by turning the equipment in question off and on, the user is encouraged to try to correct the interference by one or more of the following measures:

- ▶ Reorient or relocate the receiving antenna
- ▶ Increase the distance between the equipment and the receiver
- ▶ Connect the equipment to an outlet on a different circuit than that which the receiver is connected to
- ▶ Or consult the dealer or an experienced radio/TV technician for help.

This device complies with Part 15 of the FCC Rules. Operation is subject to following two conditions:

1. This device may not cause harmful interference, and
2. This device must accept any interference that may cause undesired operation.



SAFETY INSTRUCTIONS

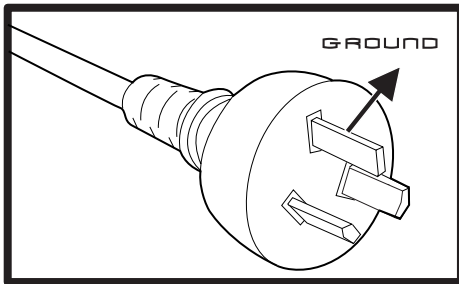
Read all of these instructions before you operate your projector and save for future reference.

1. Check that the operating voltage of your unit is identical with the voltage of your local power supply.
2. Should any liquid or solid object fall into the cabinet, unplug the unit and have it checked by the qualified personnel before operating it further.
3. Do not attempt to service this product yourself, as opening or removing covers may damage the components inside and will void your warranty.
4. Do not place this product on an unstable cart, stand, or table. The product may fall, causing serious damage to the product.
5. Unplug the unit from the wall socket if it is not to be used for several days. To disconnect the cord, pull it out by the plug. Never pull the cord itself.
6. The wall socket should be near the unit and easily accessible.
7. Do not place the projector where the cord can be stepped on as this may result in fraying or damage to the lead or the plug. Be alert to tripping hazards.
8. Never look into the projector lens when the lamp is switched on as the bright light can damage your eyes. Never let children look into the lens when it is on.
9. Do not place your hand or objects near the ventilation holes. The air coming out is hot.
10. Never open any covers on the projector except the lamp cover. Dangerous electrical voltages inside the projector can cause severe injury. Except as specifically directed in this User's Manual, do not attempt to service this product yourself. Refer all servicing to qualified service personnel.
11. Unplug the projector from the wall socket before cleaning. Use a damp cloth for cleaning the projector housing. Do not use liquid or aerosol cleaners.
12. Keep the plastic packing materials (from the projector, accessories and optional parts) out of the reach of children as these bags may result in death by suffocation. Be particularly careful around the small children.

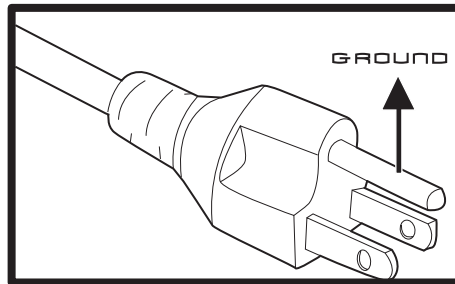
13. For ventilation reasons, the fan continues to operate after the projector has been powered off. Please do not unplug the power cord until the fan stops.
14. The projector is equipped with ventilation holes (intake) and ventilation holes (exhaust). Do not block or place anything near these slots, or internal heat build-up may occur, causing picture degradation or damage to the projector.
15. When you replace the projector lamp, never touch the new bulb with your bare hands. The invisible residue left by the oil on your hands may shorten the bulb life. Use lint-free gloves or finger cots are recommended.
16. The product should be situated away from heat sources such as radiators, heat registers, stoves, or other products (including amplifiers) that produce heat.
17. Do not overload wall outlets, extension cords, or integral convenience receptacles as this can result in a risk of fire or electric shock.

NOTES ON AC POWER CORD

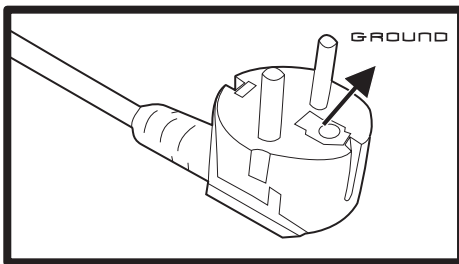
AC Power Cord must meet requirement of country where you use a projector. Confirm an AC plug type with graphics below and proper AC Power Cord must be used. If supplied AC Power Cord does not match your AC outlet, contact your sales dealer. This projector is equipped with a grounding type AC line plug. Make sure that your outlet fits the plug. Do not defeat the safety purpose of this grounding type plug. We highly recommend using a video source device also equipped with a grounding type AC line plug to prevent from signal interference due to voltage fluctuation.



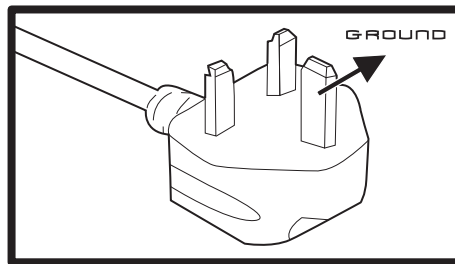
FOR AUSTRALIA and
Mainland China



FOR THE U.S.A. and
Canada



FOR CONTINENTAL
Europe



FOR THE U.S.

CONTENTS

Product Introduction	6
Projector Feature	6
Package Contents	7
Getting to Know the Projector	8
Projector Components	8
Remote Control Components	11
Installation	12
Connecting the Projector	12
Powering On/Off the Projector	17
Adjusting the Projected Image	18
Adjusting the Projector Zoom and Focus	19
Adjusting Projection Image Size	19
Using the Projector	21
Control Panel	21
Remote Control	22
Menu Options	25
Image	26
Video	29
Display	30
Language	31
Advanced	32
Audio	33
Maintenance	34
Cleaning the Lens	34
Cleaning the Projector Housing	34
Replacing the Lamp	35
Technical Specifications	37
Appendix	38
Indicator Messages	39
Preset Signals	40

PRODUCT INTRODUCTION

PROJECTOR FEATURES

The projector integrates high-performance optical engine projection and a user-friendly design to deliver high reliability and ease of use.

The projector offers the following features:

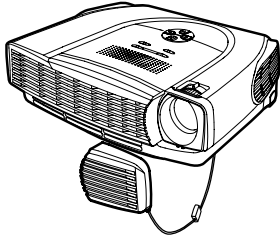
- Single chip 0.55" Texas Instruments DLP™ technology
- SVGA (800 x 600 pixels)
- Compact size, light weight for portability
- 1.2x manual zoom lens
- Auto image re-sizing (Auto-Sync.) to 800 x 600 full screen with scaling compression compatibility for VGA, SVGA, XGA* and SXGA*.
- State-of-the-art motion adaptive hardware deinterlacing with 3:2 pull down
- 200-watt, user-replaceable lamp
- Compatibility with Macintosh® computers
- Compatibility with NTSC, PAL, SECAM, and HDTV
- Multi-function remote control
- D-Sub 15-pin cable for analog video connectivity
- User-friendly, multi-language on-screen display (OSD)
- Advanced electronic keystone correction



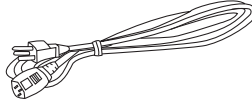
*means compressed.

PACKAGE CONTENTS

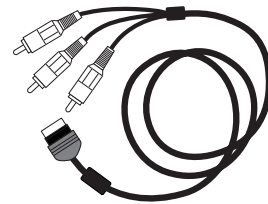
When you unpack the projector, make sure you have all these components:



Projector with Lens Cap



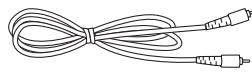
AC Power Cord



20' Component Video to VGA



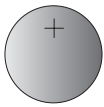
S-Video Cable



Composite Video Cable



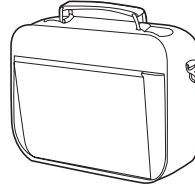
Audio Cable



**Battery for
Remote Control**



Remote Control

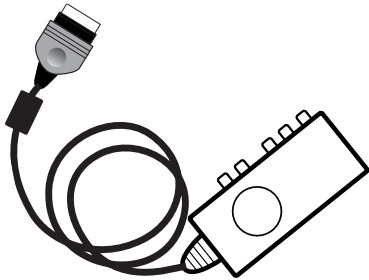


**Projector
Carrying Case**



User's Manual

OPTIONAL ACCESSORY



Component Video Adapter

NOTE: Required for 20' Component Video Hook-up

Please consult with the manufacturer of your game console



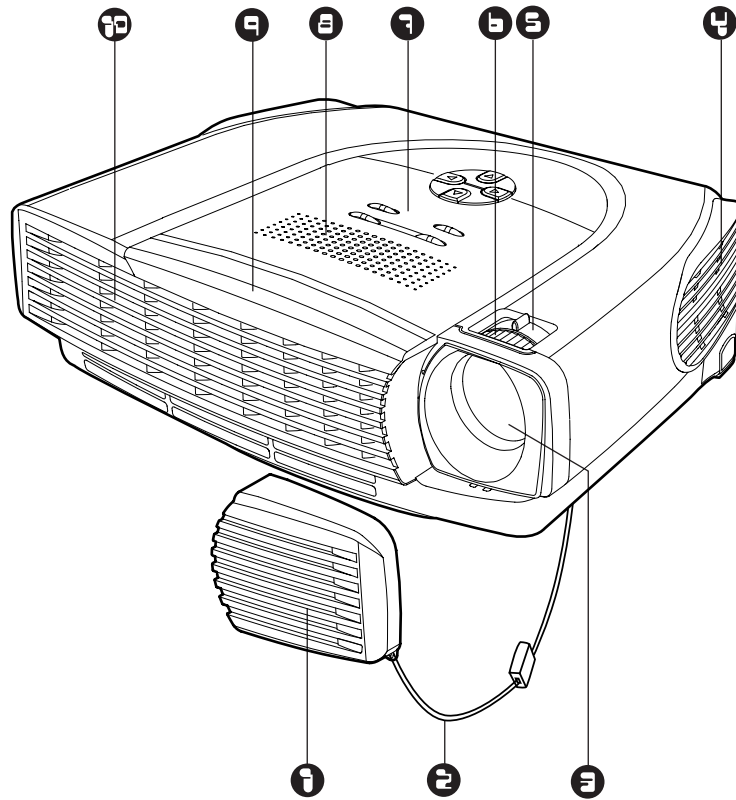
NOTE

- ☉ Save the original shipping carton and packing material; they will come in handy if you ever to ship your unit. For maximum protection, repack your unit as it was originally packed at the factory.
- ☉ Accessories and components may vary by retailer and region.

GETTING TO KNOW THE PROJECTOR

PROJECTOR COMPONENTS

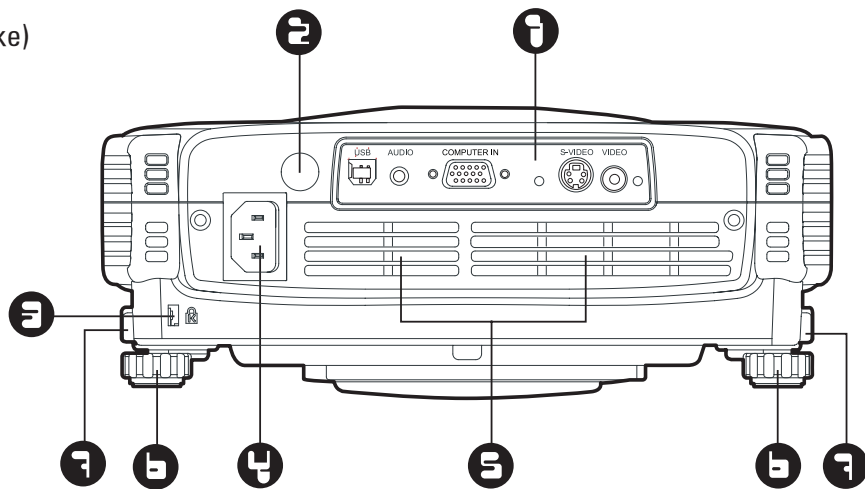
FRONT VIEW



- | | |
|-------------------------------|-----------------------------------|
| 1. Lens cap | 6. Focus ring |
| 2. Lens cap strap | 7. Control panel |
| 3. Lens | 8. Speaker |
| 4. Ventilation holes (intake) | 9. Front IR remote control sensor |
| 5. Zoom ring | 10. Ventilation holes (exhaust) |

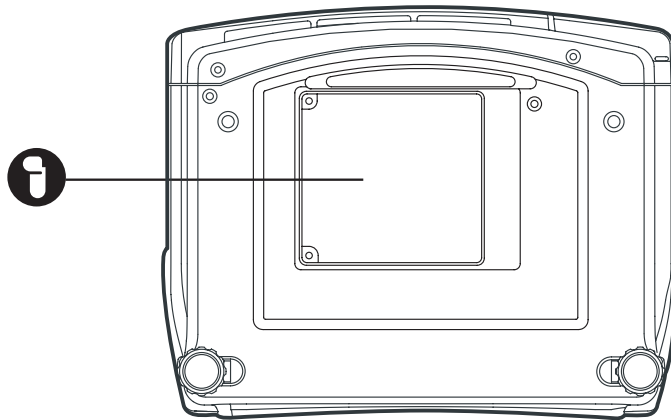
רצף רצף

1. Interface
2. Rear IR remote control sensor
3. Security Lock Receptacle
4. AC power socket
5. Ventilation holes (intake)
6. Foot adjuster
7. Foot adjuster button



רצף רצף

1. Lamp cover



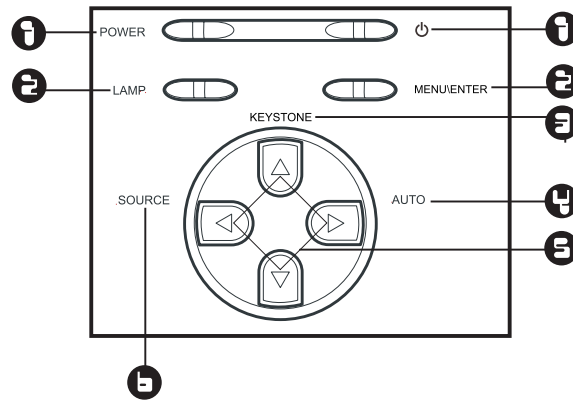
CONTROL PANEL

LED

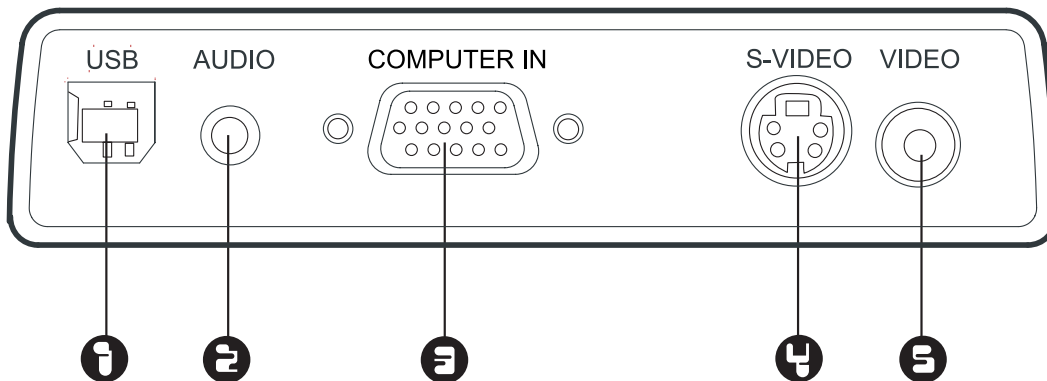
1. POWER (Power LED indicator)
2. LAMP (Lamp LED indicator)

Button

1. ⏻
2. MENU/ENTER
3. KEYSTONE (▼/▲)
4. AUTO (▶)
5. Four direction buttons
6. SOURCE (◀)



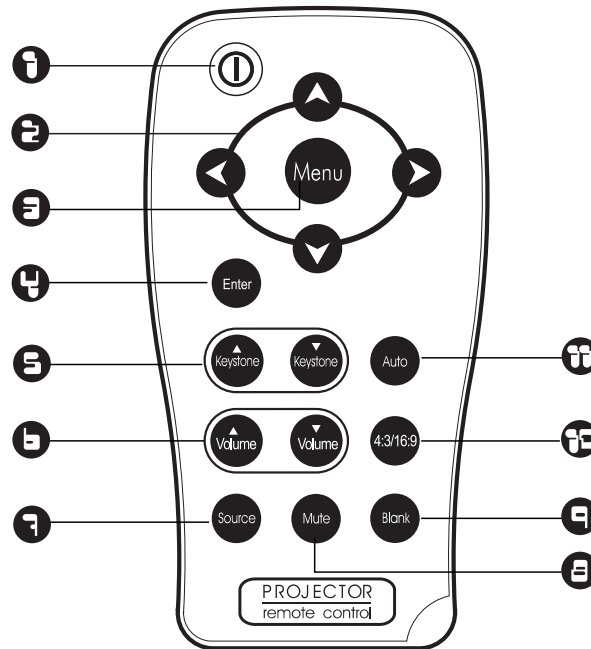
INTERFACE CONNECTOR



1. **USB connector:** This connector is used for engineering purpose.
2. **AUDIO input connector:** Connect an audio output from video equipment to this jack.
3. **COMPUTER IN (D-SUB) connector:** Connect image input signal (analog) to this connector.
4. **S-VIDEO connector:** Connect S-Video output from video equipment to this jack.
5. **VIDEO connector:** Connect composite video output from video equipment to this jack.

REMOTE CONTROL COMPONENTS

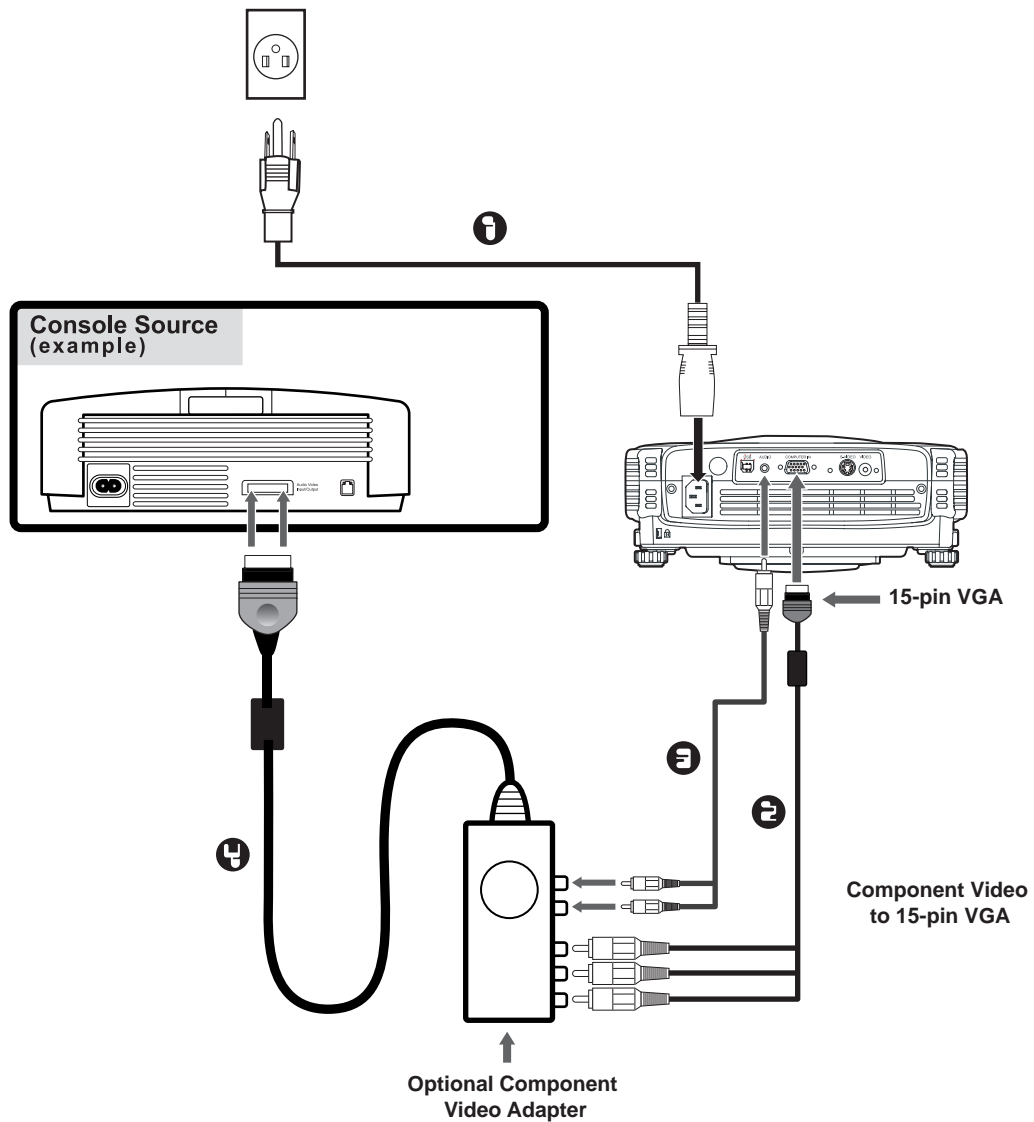
1. Power button
2. Four direction buttons
3. Menu button
4. Enter button
5. Keystone ∇/\blacktriangle buttons
6. Volume ∇/\blacktriangle buttons
7. Source button
8. Mute button
9. Blank button
10. 4:3/16:9 button
11. Auto button



INSTALLATION CONNECTING THE PROJECTOR

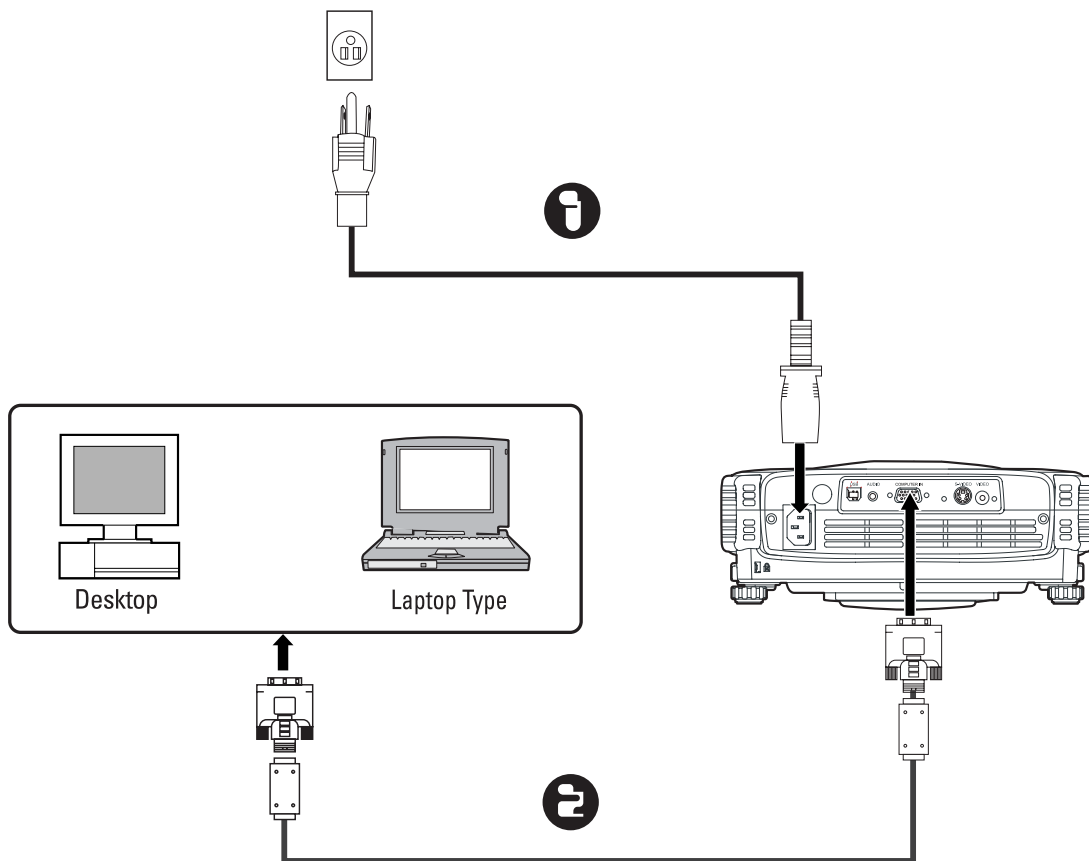
A. CONNECTING TO A CONSOLE

1. AC Power Cord
2. VGA Cable to Component Video Adapter
3. Component Video Adapter to Console



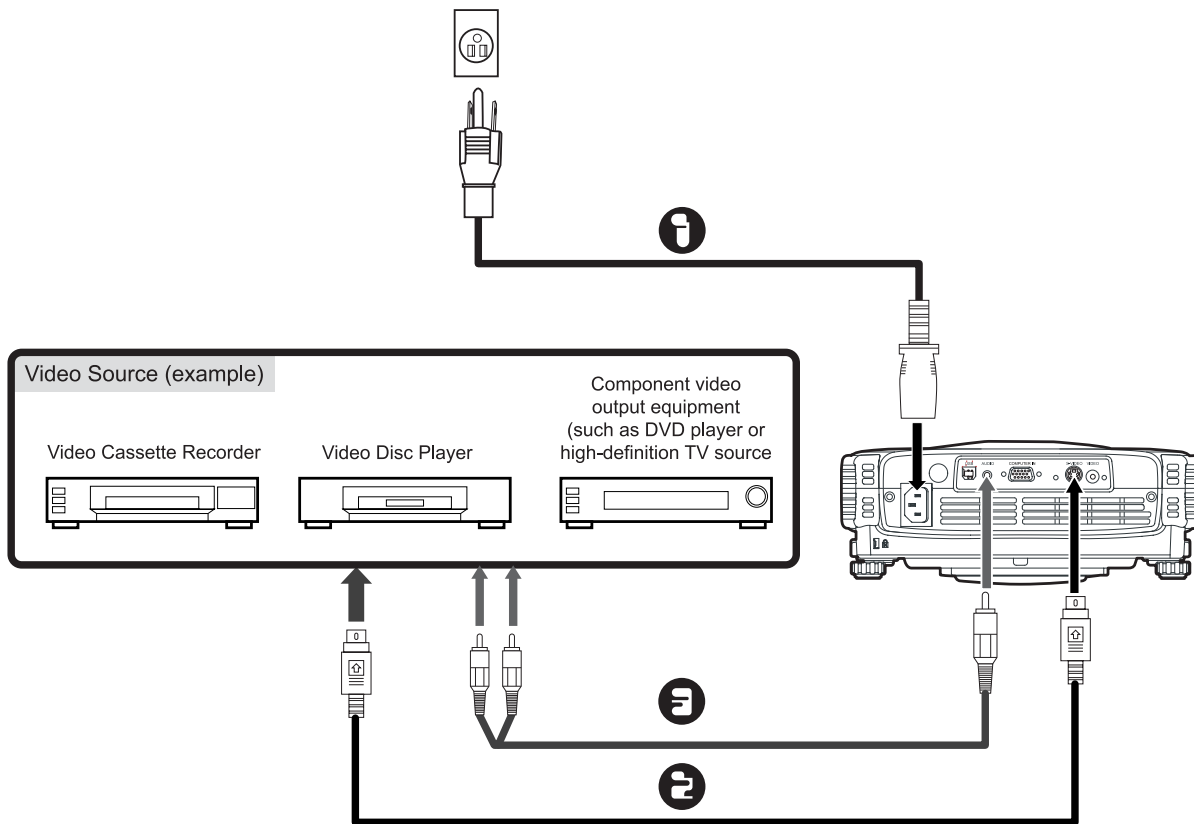
Բ. ՀՈՒՆԵՐԻՆԳ ԿՐԻՄ ԿՈՄՍՏԵՐ

1. AC Power Cord
2. VGA Cable (D-SUB to D-SUB)



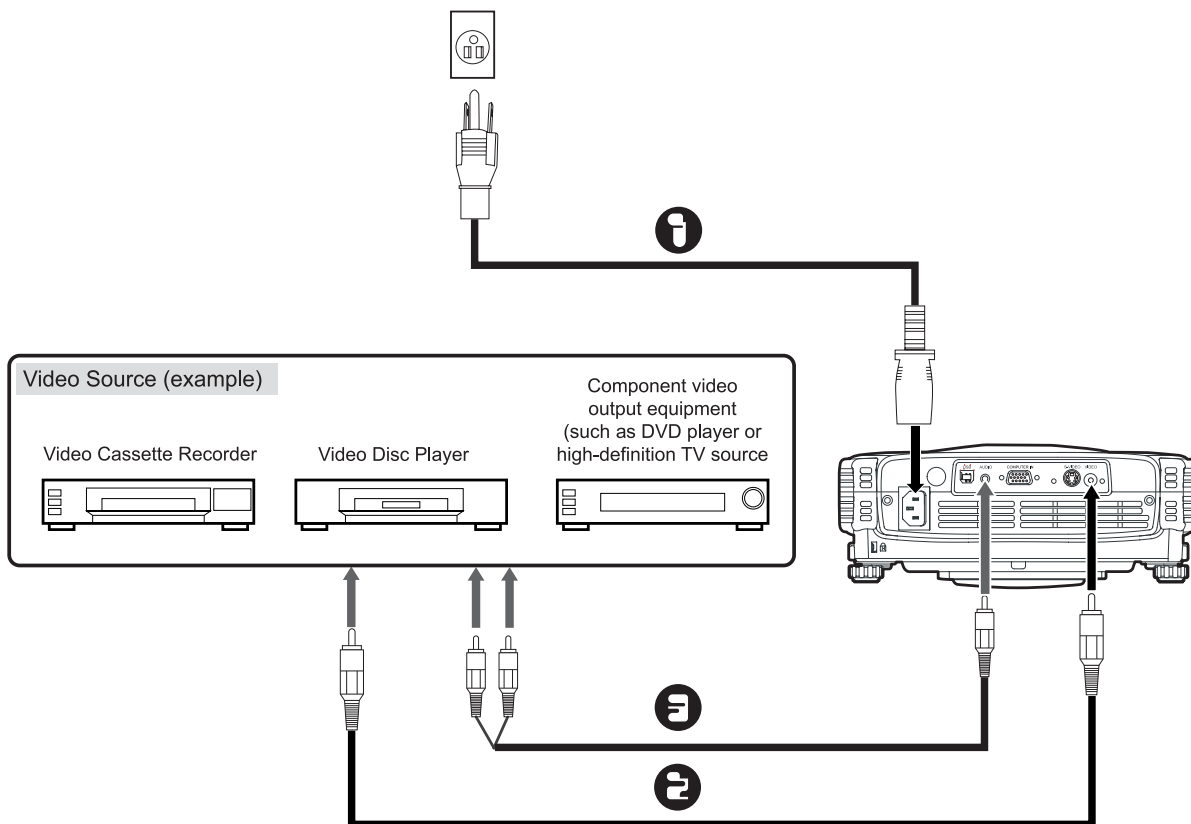
2. CONNECTING TO A VIDEO SOURCE CONNECTING WITH S-VIDEO CABLE

1. AC Power Cord
2. S-Video Cable
3. Audio Cable



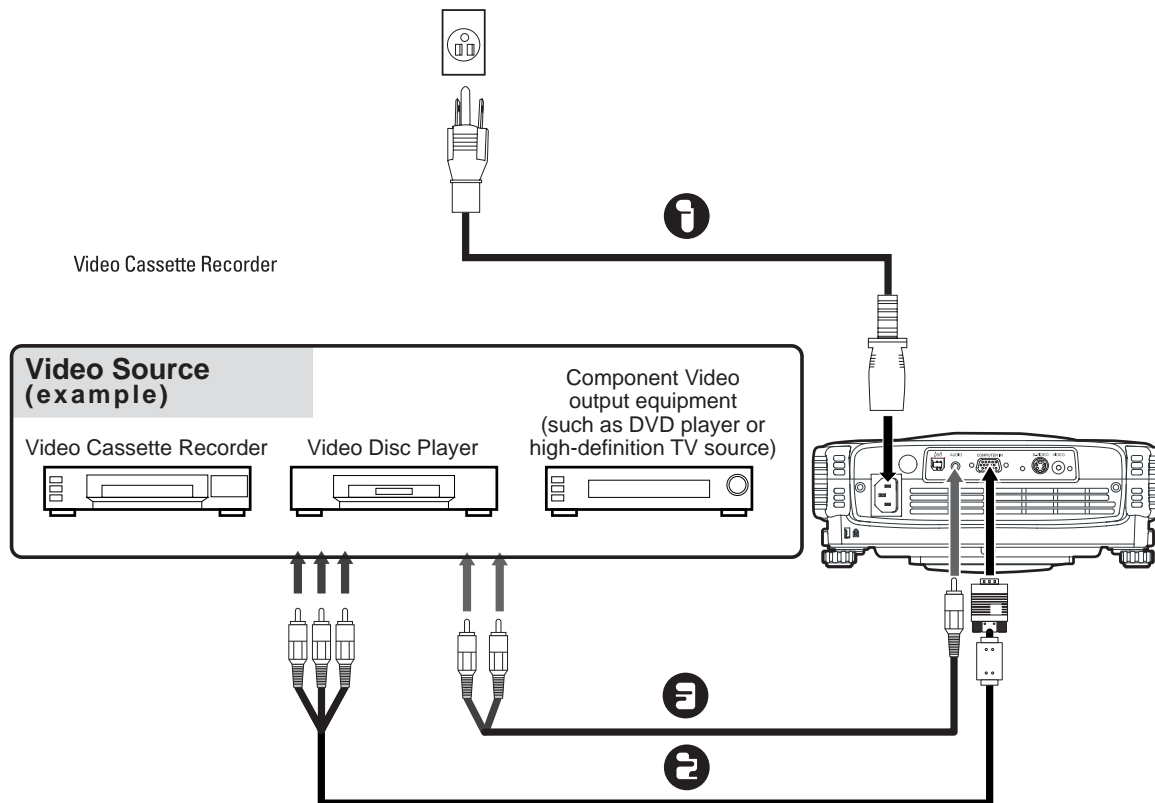
Գ. ՀՈՒՆԵՐԻՆԳ ԱՎԻ ԿՈՄՓՈԶԻՏ ՎԻԴԵՈ ՀԱԲԼԵ

1. AC Power Cord
2. Composite Video Cable
3. Audio Cable



E. CONNECTING WITH HDTV CABLE

1. AC Power Cord
2. D-SUB to HDTV Cable
3. Audio Cable



NOTE

- ⓘ When connecting cable, power cords of both a projector and external equipment should be disconnected from AC outlet.

POWERING ON/OFF THE PROJECTOR

POWERING ON THE PROJECTOR:

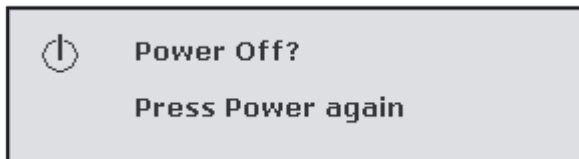
1. Remove the projector lens cap.
2. Complete the AC power cord and peripheral signal cable(s) connections.
3. Press the button on the Projector Control Panel or the Power button on the Remote Control to turn on the power.
4. Turn on your source (computer, notebook, DVD, etc.). The projector automatically detects your source.
 - If the "Searching for source" message appears on the screen, ensure that the appropriate signal cable(s) are securely connected.
 - If you are connecting multiple sources to the projector simultaneously, press the SOURCE button on the Projector Control Panel or the Source button on the Remote Control to select the desired source.

WARNING!

- Never look into the lens when the lamp is on. This can damage your eyes. It is especially important that children are not allowed to look into the lens.

POWERING OFF THE PROJECTOR:

1. Press the button on the Projector Control Panel or the Power button on the Remote Control. A message will appear on the screen:

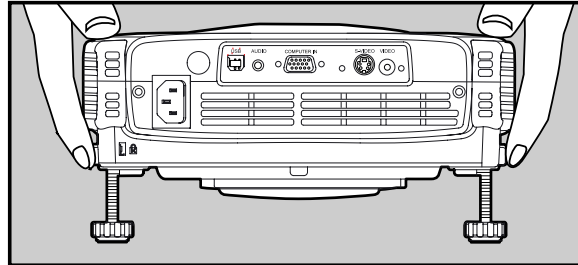
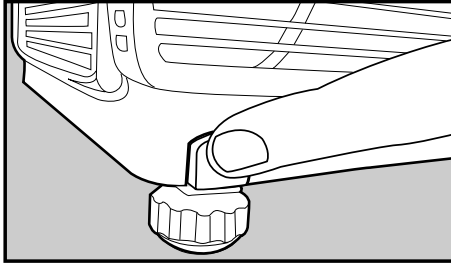


2. Press the button on the Projector Control Panel or the Power button on the Remote Control again to turn off the power. Wait until the lamp LED indicator turns off.

NOTE

- Please wait until the fan motor and the lamp LED turn off before removing the AC power cord from the projector.

ADJUSTING THE PROJECTED IMAGE ADJUSTING THE PROJECTOR HEIGHT



To raise the projector:

1. Lift up the rear side of the projector, and press the foot adjuster buttons on the two sides.
2. Raise the projector to the desired display height, and then release the buttons to lock the foot adjusters into position.

To lower the projector:

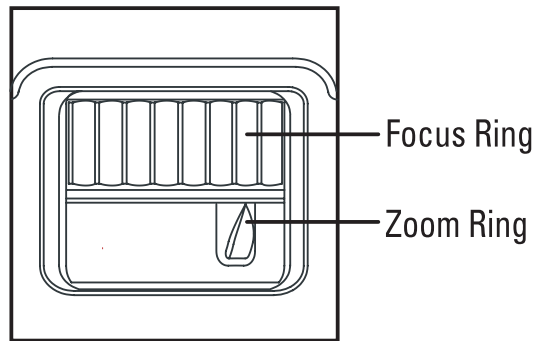
1. Lift up the rear side of the projector, and press the foot adjuster buttons on the two sides.
2. Lower the projector, and then release the buttons to lock the foot adjusters into position.



NOTE

- ⦿ You may turn the foot adjuster to make fine adjustment of the height.
- ⦿ To avoid damaging the projector, make sure that the foot adjuster is fully retracted before placing the projector in its carrying case.

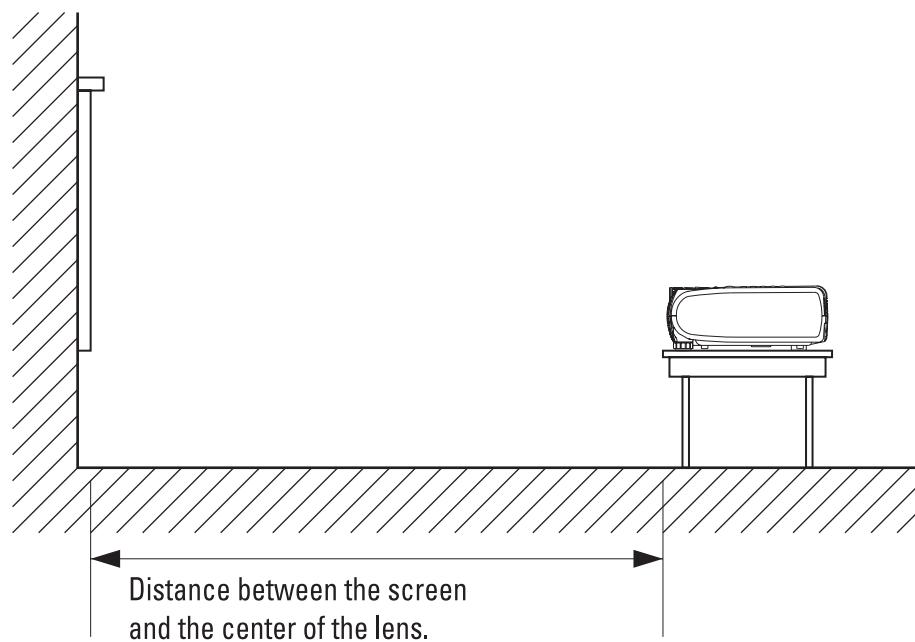
ADJUSTING THE PROJECTOR ZOOM AND FOCUS



1. Adjust the image size by rotating the zoom ring.
Rotate to the right to reduce the image.
Rotate to the left to enlarge the image.
2. Focus the image by rotating the focus ring.
A still image is recommended for focusing.

ADJUSTING PROJECTION IMAGE SIZE

Refer to the graphic and table below to determine the screen size and projection distance.



Projection Distance (m)	4:3 Screen Size -Diagonal (inch)		16:9 Screen Size-Diagonal (inch)	
	Wide	Tele	Wide	Tele
1.2	33.0	27.5	30.2	25.2
1.5	41.2	34.3	37.8	31.5
2	55.0	45.8	50.4	42.0
2.2	60.5	50.4	55.5	46.2
3	82.5	68.7	75.7	63.1
4	110.0	91.6	100.9	84.1
5	137.5	114.5	126.2	105.1
6	165.0	137.5	151.4	126.2
7	192.5	160.4	176.6	147.2
8	220.0	183.3	201.9	168.2
9	247.5	206.2	227.1	189.3
10	275.0	229.1	252.4	210.3

* This table is for user reference only.



- ⦿ Position the projector in a horizontal position; other positions can cause heat build-up and damage to the projector.
- ⦿ Make sure the heat ventilation holes are not blocked. Do not use the projector in a smoky environment. Smoke residue may cause buildup on critical parts (i.e. DMD, lens assembly, etc.).

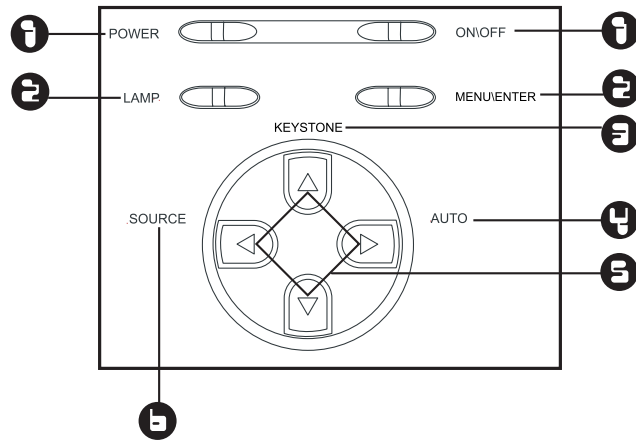
USING THE PROJECTOR CONTROL PANEL

LED

1. **POWER** (Power LED indicator)
Refer to "Indicator Messages".
2. **LAMP** (Lamp LED indicator)
Refer to "Indicator Messages".

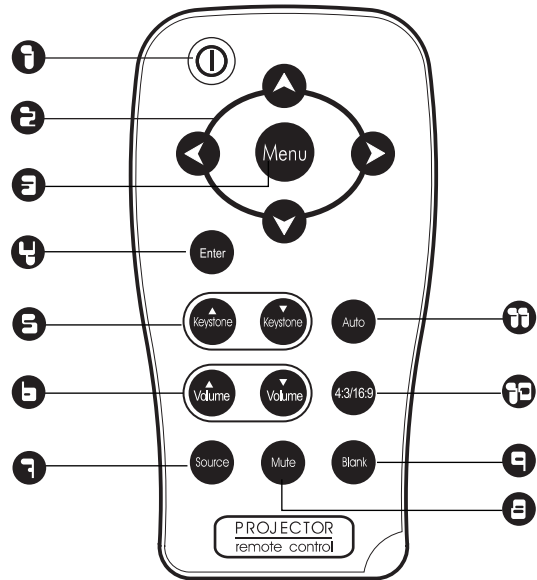
Button Function

1. **POWER** (⏻)
Refer to "Powering On/Off the Projector".
2. **MENU \ ENTER**
Press the MENU/ENTER button to activate the OSD (On-Screen Display) menu. Use the directional buttons and MENU/ENTER button to navigate through the OSD (On-Screen Display) menu and select choices.
3. **KEystone** (▲/▼)
Adjusts image distortion caused by tilting the projector.
4. **AUTO** (▶)
Automatically adjusts frequency and phase.
5. **Four direction buttons**
The four direction buttons ◀ ▶ ▲ ▼ can be used to scroll through OSD (On-Screen Display) menus and make adjustments.
6. **SOURCE** (◀)
Manually selects an input source.

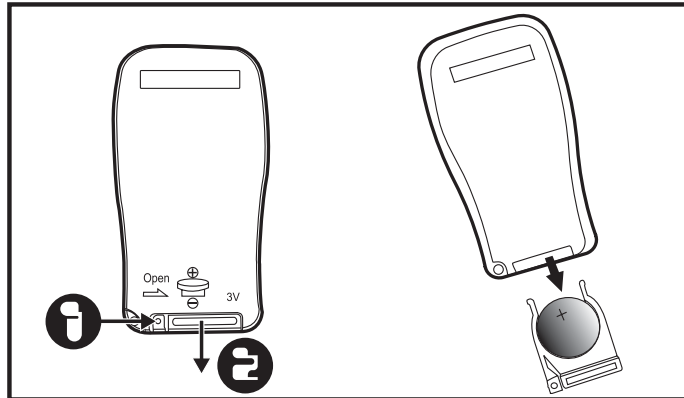


REMOTE CONTROL

- 1. Power**
Refer to "Powering On/Off the Projector".
- 2. Four direction buttons**
The four direction buttons ◀ ▶ ▲ ▼ can be used to scroll through OSD (On-Screen Display) menus and make adjustments.
- 3. Menu**
Press the Menu button to activate the OSD (On-Screen Display) menu. Use the directional buttons and Menu button to navigate through the OSD (On-Screen Display) menu.
- 4. Enter**
Confirms the selection
- 5. Keystone ▲ ▼**
Adjusts image distortion caused by tilting the projector.
- 6. Volume ▲ ▼**
Press the Volume ▲ button to increase the volume press the Volume ▼ button to reduce the volume.
- 7. Source**
Manually selects an input source.
- 8. Mute**
Cuts off the sound temporarily.
- 9. Blank**
Cuts off the screen temporarily.
- 10. 4:3/16:9**
Press the 4:3/16:9 to switch the image aspect ratio from 4:3 to 16:9.
- 11. Auto**
Automatically adjusts frequency and phase.



BATTERY REPLACEMENT



1. Push and slide the battery compartment lid in the direction shown.
2. Install a battery as indicated by the diagram inside the compartment.
3. Position the lid over the compartment and snap it back into place.



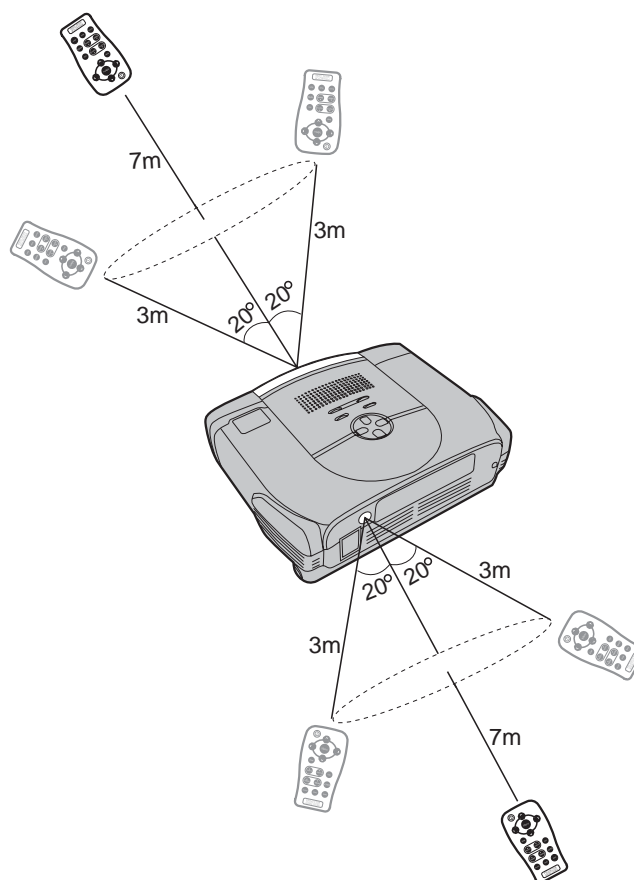
NOTE

- ⦿ Keep the battery out of the reach of children. There is a danger of death by accidentally swallowing the battery.
- ⦿ Do not recharge the used battery or expose the battery to fire or water.
- ⦿ Do not dispose of the used battery along with household waste. Dispose of used batteries according to local regulations.
- ⦿ Avoid excessive heat and humidity. Danger of explosion may happen if a battery is incorrectly replaced. Replace only with the same type recommended by the manufacturer.

REMOTE CONTROL OPERATION

Point the remote control at the infrared remote sensor and press a button.

- A. Straight Distance: Within about 7 meters from the front of the remote sensor.
- B. Direction: Angle: Within about 20 degrees of the remote sensor in every direction.
- Distance: within about 3 meters from the front of the remote sensor.



- ⊗ The remote control may not operate when there is sunlight or other strong light such as a fluorescent lamp shining on the remote sensor.
- ⊗ Operate the remote control from a position where the remote sensor is visible.
- ⊗ Do not drop the remote control or jolt it.
- ⊗ Keep the remote control out of locations with excessively high temperature or humidity.
- ⊗ Do not get water on the remote control or place wet objects on it.
- ⊗ Do not disassemble the remote control.

MENU OPTIONS

The projector has multi-language OSD (On-Screen Display) menus that can only be displayed when an input source is present. The menu can be accessed using either the Projector Control Panel or the Remote Control.

The OSD (On-Screen Display) menus allow you to make image adjustments and change a variety of settings. If source is a computer, the OSD (On-Screen Display) allows changes to the Display tab. When using a video source, the OSD (On-Screen Display) allows changes to the Video tab. The projector automatically detects the source.

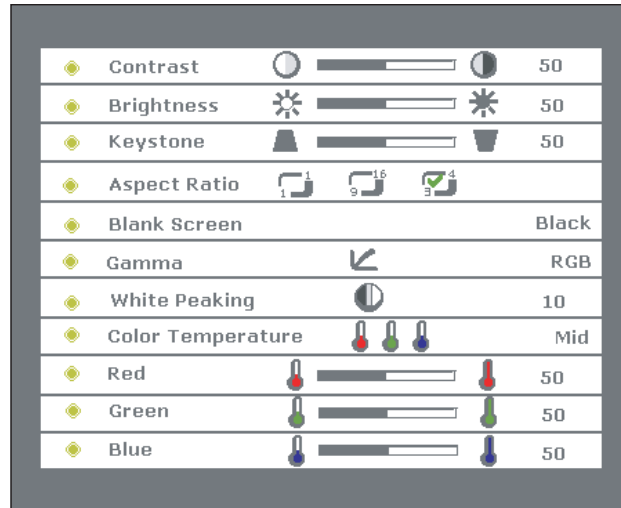


1. Press the **MENU/ENTER** button on the Projector Control Panel or the Menu button on the Remote Control.
2. Select the menu tab with the ◀ ▶ buttons either on the Projector Control Panel or the Remote Control.
3. Select the desired menu option item with the ▲ ▼ buttons either on the Projector Control Panel or the Remote Control.
 - ▶ To enter its respective sub-menu, refer to each menu option section for more details.
4. To exit from the menu:
 - ▶ On the Projector Control Panel: Go back to main menu tab with the ▲ ▼ buttons, and press the **MENU/ENTER** button.
 - ▶ On the Remote Control: press the **MENU** button.



⦿ The illustrations in this manual are for the purpose of explanation and may differ from the actual setting of your projector.

IMAGE



Option Contrast

Actions/Descriptions

Controls the degree of difference between the lightest and darkest parts of the picture. Adjusting the contrast changes the amount of black and white in the image.

Select the desired setting with the ◀ ▶ buttons:

- ▶ Press the ◀ button to decrease the contrast.
- ▶ Press the ▶ button to increase the contrast.

Brightness

Adjusts the brightness of the image.

Select the desired setting with the ◀ ▶ buttons:

- ▶ Press the ◀ button to lighten the image.
- ▶ Press the ▶ button to darken the image.

Keystone

Adjusts image distortion caused by tilting the projector.

Select the desired setting with the ◀ ▶ buttons:

- ▶ Press the ◀ button to reduce the upper width.
- ▶ Press the ▶ button to reduce the lower width.

Aspect Ratio

Selects this function to fit 1:1, 16:9, 4:3 aspect ratio. In order to use the 1:1 aspect ratio, the input must be a computer signal (through VGA cable) of resolution less than SVGA (800 x 600). If the input signal is a computer signal greater than SVGA or component 1080i / 720p, only 16:9 or 4:3 aspect ratio will be available.

Select the desired setting with the ◀ ▶ buttons:

- ▶ 1:1: The input source will be displayed without scaling
- ▶ 16:9: The input source will be displayed in wide screen mode (16:9) without scaling. The source will be scaled to fit the width of the screen.
- ▶ 4:3: The input source will be scaled to fit the screen.

Blank Screen

Blanks the screen temporarily, and selects the screen color when Blank Screen is active.

Select the desired setting with the ◀ ▶ buttons:

- ▶ White
- ▶ Black
- ▶ Blue
- ▶ Gray
- ▶ Red
- ▶ Green
- ▶ Yellow
- ▶ Cyan
- ▶ Magenta

Gamma

Selects Gamma Mode.

Select the desired setting with the ◀ ▶ buttons:

- ▶ Film : Dark video image mode
- ▶ Photographic: Computer photo mode
- ▶ RGB: Computer text mode
- ▶ Video : Common video mode

White Peaking

White Peaking can be adjusted between 0 and 10.

Select the desired setting with the ◀ ▶ buttons:

- ▶ Setting 10 will maximize the brightness.
- ▶ Setting 0 will maximize color reproduction quality.

Color Temperature Adjusts the color temperature. With the higher temperature, the screen looks colder; with the lower temperature, the screen looks warmer. Red, Green and Blue mode activate only if the Color Temperature is set to "User".

Select the desired setting with the ◀ ▶ buttons:

- ▶ Hi
- ▶ Mid
- ▶ Low
- ▶ User

Red Manually adjusts red.

Select the desired setting with the ◀ ▶ buttons:

- ▶ Press the ◀ button to decrease the color temperature.
- ▶ Press the ▶ button to increase the color temperature.

Green Manually adjusts green.

Select the desired setting with the ◀ ▶ buttons:

- ▶ Press the ◀ button to decrease the color temperature.
- ▶ Press the ▶ button to increase the color temperature.

Blue Manually adjusts blue.

Select the desired setting with the ◀ ▶ buttons:

- ▶ Press the ◀ button to decrease the color temperature.
- ▶ Press the ▶ button to increase the color temperature.

אפשר'ס



Option
Saturation

Actions/Descriptions

Adjusts a video image from black and white to fully saturated color.

Select the desired setting with the ◀ ▶ buttons:

- ▶ Press the ▶ button to decrease the amount of color in the image.
- ▶ Press the ◀ button to increase the amount of color in the image.

Tint

Adjusts the color balance of red and green.

Select the desired setting with the ◀ ▶ buttons:

- ▶ Press the ▶ button to increase the amount of green in the image.
- ▶ Press the ◀ button to increase the amount of red in the image.

Sharpness

Adjusts the sharpness of the image.

Select the desired setting with the ◀ ▶ buttons:

- ▶ Press the ▶ button to decrease the sharpness.
- ▶ Press the ◀ button to increase the sharpness.

DISPLAY



Option

Actions/Descriptions

Phase

Synchronizes the signal timing of the display with that of the graphic card. If you experience an unstable or flickering image, use the phase function to correct it.

Select the desired setting with the ◀ ▶ buttons:

- ▶ Press the ◀ button to decrease the value.
- ▶ Press the ▶ button to increase the value.

Tracking

Changes the display data frequency to match the frequency of your computer graphic card. If you experience a vertical flickering bar, use the tracking function to make an adjustment.

Select the desired setting with the ◀ ▶ buttons:

- ▶ Press the ◀ button to decrease the value.
- ▶ Press the ▶ button to increase the value.

H.Position

Adjusts the horizontal position.

Select the desired setting with the ◀ ▶ buttons:

- ▶ Press the ◀ button to move the image left.
- ▶ Press the ▶ button to move the image right.

V.Position

Adjusts the vertical position.

Select the desired setting with the ◀ ▶ buttons:

- ▶ Press the ◀ button to move the image up.
- ▶ Press the ▶ button to move the image down.

Language

English	<input type="radio"/>
Deutsch	<input type="radio"/>
简体中文	<input type="radio"/>
日本語	<input type="radio"/>
Français	<input type="radio"/>
Español	<input type="radio"/>
Português	<input type="radio"/>
Italiano	<input type="radio"/>
Русский	<input type="radio"/>
繁體中文	<input type="radio"/>

Option
Language

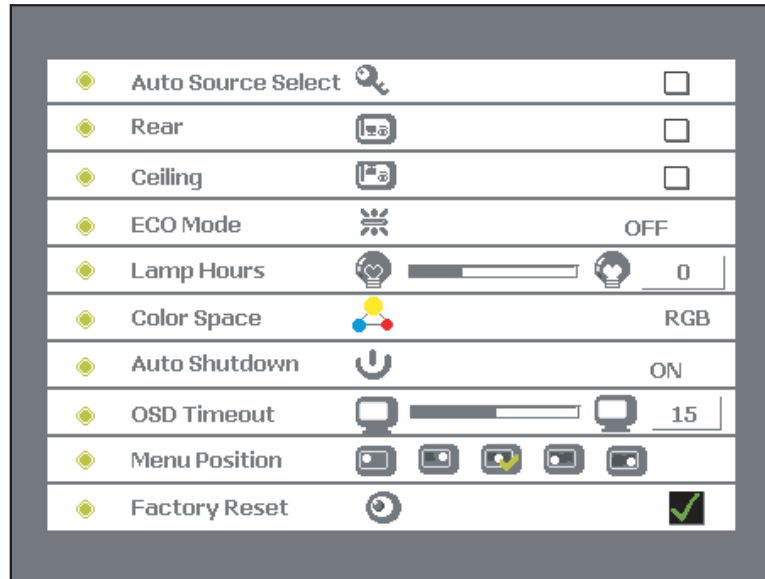
Actions/Descriptions

Selects the language for menu and message displayed.

Select the language you prefer with the ▲ ▼ buttons, and confirm the selection with the **MENU\ENTER** button on the Projector Control Panel or the Enter button on the Remote Control.

- ▶ English
- ▶ Deutsch
- ▶ 简体中文
- ▶ 日本語
- ▶ Français
- ▶ Español
- ▶ Português
- ▶ Italiano
- ▶ Русский
- ▶ 繁體中文

ᐱᓄᓂᐱᓂᓂᓂ



Option

Actions/Descriptions

Auto Source Select

Automatically scans the input source.

- ▶ Press the MENU/ENTER button on the Projector Control Panel or the ENTER button on the Remote Control to activate this function.

Rear

The image is reversed horizontally.

- ▶ Press the MENU/ENTER button on the Projector Control Panel or the ENTER button on the Remote Control to activate this function.

Ceiling

The image is inverted vertically.

- ▶ Press the MENU/ENTER button on the Projector Control Panel or the ENTER button on the Remote Control to activate this function.

ECO Mode

Uses this function to dim the projector lamp light output which will lower power consumption and increase lamp life.

Select the desired setting with the ◀ ▶ buttons:

- ▶ ON
- ▶ OFF

Lamp Hours

Displays operating hours since lamp timer reset. Lamp hour counter is displayed in read-only format, and this setting cannot be manually adjusted.

- Color Space** Manually selects signal type.
Select the input signal type with the ◀ ▶ buttons:
- ▶ RGB
 - ▶ YCbCr
 - ▶ YPbPr
- Auto Shutdown** Uses this function to automatically turn off the lamp if the projector does not detect an input signal for specified time period (30 minutes).
Select the desired setting with the ◀ ▶ buttons:
- ▶ ON
 - ▶ OFF
- OSD Timeout** Duration OSD (On-Screen Display) menu stays active (at idle state by second).
Select the desired setting with the ◀ ▶ buttons.
- Menu Position** Selects the position of the OSD (On-Screen Display) menu on the screen.
Select the desired setting with the ◀ ▶ buttons.
- Factory Reset** Resets the projector to its factory default settings.
Press the **MENU\ENTER** button on the Projector Control Panel or the **ENTER** button on the Remote Control to enter its sub-menu, select the desired setting with the ◀ ▶ buttons, and confirm the selection with the **MENU\ENTER** button on the Projector Control Panel or the **ENTER** button on the Remote Control again.

AUDIO



- Option** **Actions/Descriptions**
- Volume** Adjusts the volume.
Select the desired setting with the ◀ ▶ buttons:
Press the ◀ button to decrease the volume.
Press the ▶ button to increase the volume.
- Mute** Cuts off the sound temporarily.
Select the desired setting with the ◀ ▶ buttons:
- ▶ ON
 - ▶ OFF

MAINTENANCE

The projector needs proper maintenance. You should keep the lens clean as dust, dirt or spots will project on the screen and diminish image quality. The only part you could replace yourself is the lamp. If any other parts need replacing, contact your dealer or qualified service personnel. When cleaning any part of the projector, always switch off and unplug the projector first.

WARNING:

Never open any of the covers on the projector except the lamp cover. Dangerous electrical voltages inside the projector can cause severe injury. Except as specifically indicated in this User's Manual, do not attempt to service this product yourself. Refer all servicing to qualified service personnel.

CLEANING THE LENS

Gently wipe the lens with lens cleaning paper. Do not touch the lens with your hands.

CLEANING THE PROJECTOR HOUSING

Gently wipe with a soft cloth. If dirt and stains are not easily removed, use a soft cloth dampened with water, or water and neutral detergent, and wipe dry with a soft, dry cloth.



NOTE

- ⦿ Turn off the projector and remove the AC power cord from the power outlet before beginning maintenance work.
- ⦿ Make sure the lens is cool before cleaning.
- ⦿ Do not use detergents or chemicals other than those noted above. Do not use benzene or thinners.
- ⦿ Do not use chemical sprays.
- ⦿ Use a soft cloth or lens paper only.

REPLACING THE LAMP

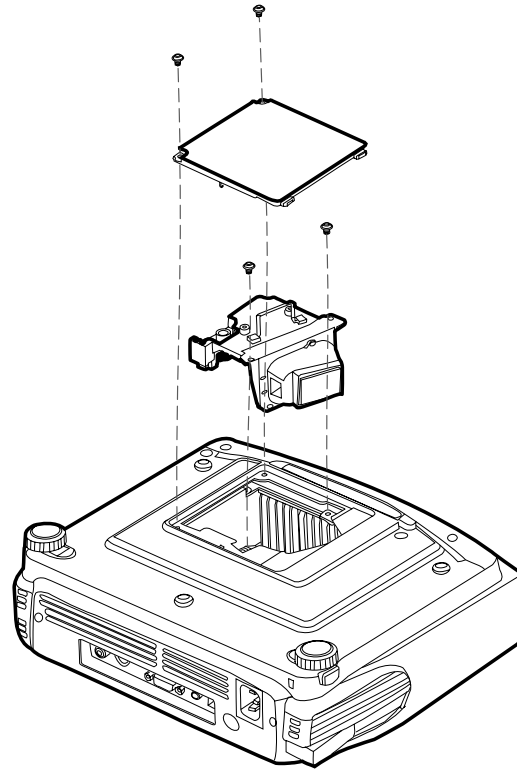
Projector lamps have a finite life. Replace the lamp when:

- ▶ The image becomes darker and hues become weaker after a lamp has been for a long period of time.
- ▶ The projector lamp LED indicator turns into red. Refer to section titled "Indicator Messages" for further details.



- ⊕ The lamp becomes high temperature after turning off the projector with the power button. If you touch the lamp, you may scald your finger. When you replace the lamp, wait for at least 45 minutes for the lamp to cool down.
- ⊕ Do not touch the lamp glass at any time. The lamp may explode due to improper handling, including the touching of the lamp glass.
- ⊕ Lamp lifetime may differ from lamp to lamp and according to the environment of use. There is no guarantee of the same lifetime for each lamp. Some lamps may fail or terminate their lifetime in a shorter period of time than other similar lamps.
- ⊕ A lamp may explode as a result of vibration, shock or degradation as a result of hours of use as its lifetime draws to an end. Risk of explosion may differ according to the environment or conditions in which the projector and lamp are being used.
- ⊕ Wear protective gloves and eyeglasses when fixing or detaching the lamp.
- ⊕ Faster on-off-cycles will damage the lamp and reduce lamp life. Wait at least for 5 minutes to turn off the projector after powering on.
- ⊕ Do not operate the lamp in proximity to paper, cloth, or other combustible material nor cover it with such materials. Otherwise it could cause a fire.
- ⊕ Do not operate the lamp in an atmosphere containing an inflammable substance, such as thinner. Otherwise it could cause a fire or explosion.
- ⊕ Thoroughly ventilate the area or the room when operating the lamp in an oxygen atmosphere (in the air). If ozone is inhaled, it could cause headaches, nausea, dizziness, etc.
- ⊕ The inorganic mercury is involved in the lamp. If the lamp bursts, the mercury inside the lamp will go out of the projector. Leave the area immediately if the lamp shatters while being operated and ventilate the area for at least 30 minutes in order to avoid the inhalation of mercury fumes. Otherwise it could be harmful to user's health.

1. Turn off the projector and unplug the AC power cord.
2. Place a protective sheet (cloth) beneath the projector. Turn the projector over so you can access the lamp cover.
3. Remove the access panel screws and open the panel.
4. Remove the screws on the bottom of the lamp assembly.
5. Grasp the lamp handle and pull the lamp assembly directly out of the projector.
6. Replace with the new lamp.
7. Place back the screws on the bottom of lamp assembly.
8. Place the panel and screw back the screws on the lamp cover.



NOTE

- ⓘ Dispose of the used lamp according to local regulations.
- ⓘ Ensure that screws are tightened properly. Screws not tightened fully may result in injury or accidents.
- ⓘ Since the lamp is made of glass, do not drop the unit and do not scratch the glass.
- ⓘ Do not reuse the old lamp. This could cause the lamp to explode.
- ⓘ Be sure to turn off the projector and unplug the AC power cord before replacing the lamp.
- ⓘ Do not use the projector with the lamp cover removed.

TECHNICAL SPECIFICATIONS

Specifications	
Projection System:	Single panel 0.55" DLP projector
Native resolution:	480,000 dot x1 (800 x 600 x1)
Image Brightness:	1500 ANSI Lumens
Uniformity:	85%
Lens:	Manual Zoom (1.2X)
Focal Length:	0.80" - 0.95" / 20.2 - 24.2mm
Contrast Ratio 2000:	1 (Full on/off)
Aspect Ratio:	1:1, 16:9, 4:3
Screen Size:	30 - 200 inches
Lamp:	200W
Projection Type:	Front, Rear, Ceiling
Video Input:	PAL,NTSC, SECAM
Input Source:	Computer, HDTV, S-Video, Video
Horizontal Frequency:	31 - 79kHz
Vertical Frequency:	50 - 85Hz
Pixel Rate:	108 MHz
Digital Keystone Correction:	Vertical: +/- 15 degrees
Analog RGB (input signal):	D-Sub connector
HDTV Display:	720p (60Hz), 720p (50Hz), 1080i (60Hz), 1080i (50Hz)
Integrated Speaker:	2W x 1
Audio Noise:	34dB (Typical) and 32dB (in ECO Mode)
Remote Control:	Multifunctional
OSD Language:	Multilanguage
Operational Ambient Temperature:	+5 - +35°C
Humidity:	35 - 85%
Certification:	UL, CE, FCC Class B, VCCI, C-Tick, CCC
Power Supply:	AC 100 - 240 V, 50 - 60Hz
Power Consumption:	250 Watts
Dimension (W x D x H):	10" x 7.96" x 3.86" / 254 x 202 x 98mm
Weight:	4.5 lbs. / 2.0kg

Note: Design and Specifications are subject to change without prior notice.

APPENDIX INDICATOR MESSAGES

LED Type	Color	Status	Meaning
Power LED:	Green	Flashing	The projector is powered and ready.
Power LED:	Amber	Solid	The projector system has some problems with its fan, so the projector cannot start up.
Power LED:	Green	Solid	The projector is in good condition on working.
Lamp LED:	Green	Solid	The lamp is in good condition and is projecting at maximum brightness.
Lamp LED:	Amber	Solid	The lamp has reached its end of life and must be changed soon. The lamp will continue to operate until it fails. Change the lamp. If the lamp is off, then the ballast will become malfunction.
Lamp LED:	Green	Flashing	The projector is shutting down. The fan motor is cooling the lamp for shutdown. Do not unplug the power cable or turn the power switch off before the lamp LED turns off. The fan motor will turn off when the lamp has cooled.
Lamp LED:	Amber	Flashing	Temperature is too high. The lamp will turn off.

PRESET SIGNALS

Preset signal		fH (kHz)	fV (Hz)	Sync	Size
640 x 480	VGA mode 3	31.469	59.940	H(-), V(-)	800
	VGA VESA 72Hz	37.861	72.809	H(-), V(-)	832
	VGA VESA 75Hz	37.500	75.000	H(-), V(-)	840
	VGA VESA 85Hz	43.269	85.008	H(-), V(-)	832
800 x 600	SVGA VESA 56Hz	35.156	56.250	H(+), V(+)	1024
	SVGA VESA 60Hz	37.879	60.317	H(+), V(+)	1056
	SVGA VESA 72Hz	48.077	72.188	H(+), V(+)	1040
	SVGA VESA 75Hz	46.875	75.000	H(+), V(+)	1056
	SVGA VESA 85Hz	53.674	85.061	H(+), V(+)	1048
1024 x 768	XGA VESA 60Hz	48.363	60.004	H(-), V(-)	1344
	XGA VESA 70Hz	56.476	70.069	H(-), V(-)	1328
	XGA VESA 75Hz	60.023	75.029	H(+), V(+)	1312
	XGA VESA 85Hz	68.677	84.997	H(+), V(+)	1376
1152 x 864	SXGA VESA 70Hz	63.995	70.016	H(+), V(+)	1472
	SXGA VESA 75Hz	67.500	75.000	H(+), V(+)	1600
	SXGA VESA 85Hz	77.487	85.057	H(+), V(+)	1568
1280 x 960	SXGA VESA 60Hz	60.000	60.000	H(+), V(+)	1800
	SXGA VESA 75Hz	75.000	75.000	H(+), V(+)	1680
1280 x 1024	SXGA VESA 60 Hz	63.981	60.020	H(+), V(+)	1688

HDTV PRESET SIGNALS

Preset Signals	Horizontal Frequency (kHz)	Vertical Frequency (Hz)
480i	15.8kHz	60Hz
480p	31.5kHz	60Hz
576i	15.6kHz	50Hz
576p	31.3kHz	50Hz
720p	45.0kHz	60Hz
720p	37.5kHz	50Hz
1080i	33.8kHz	60Hz
1080i	28.1kHz	50Hz

Note: Specifications are subject to change without notice.

BOXLIGHT

ph: 1.800.762.5757 • fx: 888.353.4242

www.boxlight.com



find the light.