

myprojectorlamps.com

**The most trusted, dependable name
in projector lamp sales.**



<http://www.myprojectorlamps.com>



<http://www.myprojectorlamps.ca>



<http://www.myprojectorlamps.eu>

The following projector manual has not been modified or altered in any way.



M2+

User's Guide



FCC Warning

This equipment has been tested and found to comply with the limits for a Class A digital device, pursuant to part 15 of the FCC Rules. These limits are designed to provide reasonable protection against harmful interference when the equipment is operated in a commercial environment. This equipment generates, uses, and can radiate radio frequency energy and, if not installed and used in accordance with the instruction manual, may cause harmful interference to radio communications. Operation of this equipment in a residential area is likely to cause harmful interference in which case the user will be required to correct the interference at his own expense.

Canada

This Class A digital apparatus complies with Canadian ICES-003.
Cet appareil numérique de la classe A est conforme à la norme NMB-003 du Canada.

Safety Certifications

UL, CUL, TUV, GOST

Other specific Country Approvals may apply, please see product certification label.

EN 55022 Warning

This is a Class A product. In a domestic environment it may cause radio interference, in which case the user may be required to take adequate measures.

InFocus reserves the right to alter product offerings and specifications at any time.

Declaration of Conformity

Manufacturer: InFocus Corporation

27700B SW Parkway Ave. Wilsonville, Oregon 97070 USA

European Office: Strawinskylaan 585, 1077 XX Amsterdam, The Netherlands

We declare under our sole responsibility that the projector conforms to the following directives and norms:

Directive 89/336/EEC, Amended by 93/68/EEC

EMC: EN 55022

EN 55024

EN 61000-3-2

EN 61000-3-3

Directive 73/23/EEC, Amended by 93/68/EEC

Safety: EN 60950: 1992 + A1 + A2 + A3 + A4: 1997

January, 2004

Trademarks

Apple, Macintosh, and PowerBook are trademarks or registered trademarks of Apple Computer, Inc. IBM and PS/2 are trademarks or registered trademarks of International Business Machines, Inc. Microsoft, PowerPoint, and Windows are trademarks or registered trademarks of Microsoft Corporation. InFocus, ASK Proxima, and LP are trademarks or registered trademarks of InFocus Corporation.

TABLE OF CONTENTS

Safety Instructions	iii
Introduction	I
Image Resolution	1
Compatibility	1
Unpacking the Projector	1
Usage Guidelines	4
If You Need Assistance	4
Warranty	4
Setting up the Projector	5
Connecting a Computer	7
Connecting a Video Player	9
Powering up the Projector	11
Turning Off the Projector	14
Using the Projector	15
Basic Image Adjustment	15
Adjusting the Projector	15
Using the Remote Control	17
Using the Keypad and Remote Buttons	18
Using the On-Screen Menus	20
Basic Menu	21
Setup menu	23
Maintenance & Troubleshooting	29
Cleaning the Lens	29
Cleaning the Lamp Filter Screens	29
Replacing the Projection Lamp	30
Replacing the Batteries in the Remote Control	32
Using the Security Lock	32
Troubleshooting	33
Appendix	37
Accessories	37
Projected Image Size	38
Index	39

t a b l e o f c o n t e n t s

SAFETY INSTRUCTIONS

Please read and follow all safety instructions provided BEFORE using your new projector. Failure to comply with safety instructions may result in fire, electrical shock, or personal injury and may damage or impair protection provided by equipment. Please save all safety instructions.

Safety Definitions:

- **Warning:** Statements identify conditions or practices that could result in personal injury.
- **Caution:** Statements identify conditions or practices that could result in damage to your equipment.

Safety Symbols:



Attention: For information about usage of a feature, please refer to the User's Guide.



Warning: Hot surface. Do not touch.



An arrow pointing to the lamp door on the projector.



Warning: Turn the projector off, disconnect the power cord, and wait 60 minutes before opening the lamp housing.

Safety Terms:

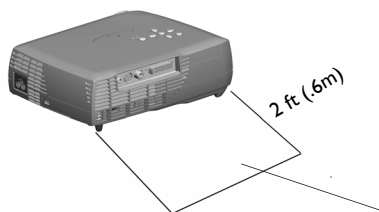
- **Warning:** Don't look directly into the lens when the projector is turned on.
- **Warning:** To replace the lamp, turn the projector off and unplug the power cord. To avoid burns, wait 60 minutes before opening the lamp door. Follow all instructions provided in this User's Guide.
- **Warning:** Please use the power cord provided. Connect the power cord to a receptacle with a protective safety (earth) ground terminal.
- **Warning:** Refer all service to qualified service personnel. Servicing your own projector will void the warranty.
- **Caution:** Don't block ventilation openings.

- **Caution:** Don't set liquids on the projector. Spilled liquids may damage your projector.
- **Caution:** Don't place the projector on a hot surface or in direct sunlight.
- **Caution:** Do not drop the projector. Transport the projector in an approved case; see page 37 for a list of cases.

Important Operating Considerations for Safety

- Place the projector in a horizontal position no greater than 15 degrees off axis.
- Locate the projector in a well-ventilated area without any obstructions to intake or exhaust vents. Do not place the projector on a tablecloth or other soft covering that may block the vents.
- Locate the projector at least 4' (1.2 m) away from any heating or cooling vents.
- Refer to this manual for proper startup and shutdown procedures.
- In the unlikely event of the lamp rupturing, discard any edible items placed in the surrounding area and thoroughly clean the area along all sides of the projector. Wash hands after cleaning the area and handling the ruptured lamp. This product has a lamp which contains a very small amount of mercury. Dispose of it as required by local, state or federal ordinances and regulations. For more information see www.eiae.org.

Follow these instructions to help ensure image quality and lamp life over the life of the projector. Failure to follow these instructions may affect the warranty. For complete details of the warranty, see the Warranty section at the end of this user's guide.



Do not place objects in this area on the back of the projector

INTRODUCTION

The ASK Proxima M2+™ is a projector specifically designed for portability, connectivity, and collaboration. It is easy to connect, easy to use, easy to transport, and easy to maintain.

Image Resolution

The XGA resolution of the projected image is 1024x768. The projector is compatible with screen resolutions up to 1280x1024. If your computer's screen resolution is higher than 1280x1024, reset it to a lower resolution before you connect the projector.

Compatibility

The projector is compatible with a wide variety of computers and video devices, including:

- IBM-compatible computers, including laptops, up to 1280x1024 resolution.
- Apple® Macintosh® and PowerBook® computers up to 1280x1024 resolution.
- Most standard VCRs, DVD players, camcorders, digital cameras, and laser disc players.

Unpacking the Projector

The projector comes with the items shown in Figure 1. Check to make sure all are included. **Contact your dealer immediately if anything is missing.**

If you are experienced in setting up presentation systems, use the *Quick Start* card that was included in the shipping box. For complete details on connecting and operating the projector, refer to this User's Guide. Electronic versions of this user's guide in multiple languages are available on the included CD and on our website at www.askproxima.com.



.....
NOTE: *The projector automatically expands 640x480 and 800x600 images to 1024x768.*

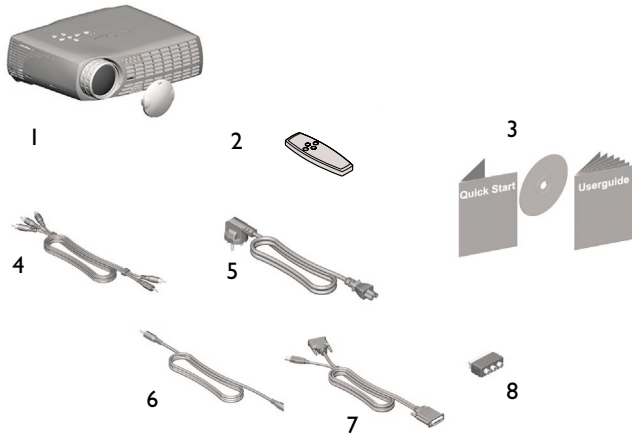


FIGURE I

Shipping box contents

- | | |
|---|--------------------|
| 1. Projector + lens cap | 6. Audio cable |
| 2. Remote control with batteries | 7. Computer cable |
| 3. User's Guide, Quick Start card, and CD | 8. SCART adapter * |
| 4. Audio/Video (A/V) cable | |
| 5. Power cord * | |

* country-dependent

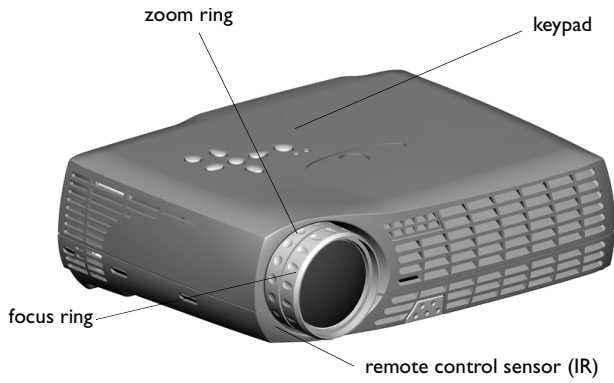


FIGURE 2

Front view of projector

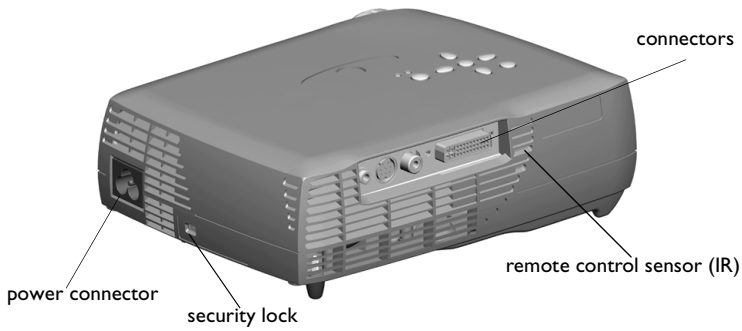


FIGURE 3

Rear view of projector

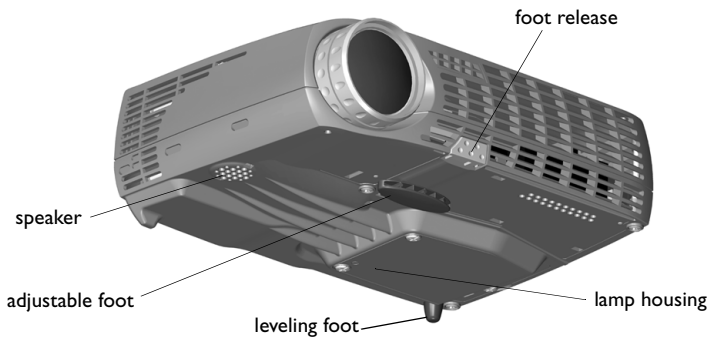


FIGURE 4

Bottom view of projector

Usage Guidelines

- Do not look directly into the projection lens when the projector is turned on. The bright light may harm your eyes.
- Do not block the grills on the projector. Restricting the air flow can cause it to overheat and turn off. If this happens, you must wait a minute before attempting to turn it back on.
- Handle the projector as you would any product with glass components. Be especially careful not to drop it.
- Avoid leaving the projector in direct sunlight or extreme cold for extended periods of time. If this happens, allow it to reach room temperature before use.
- Transport the projector in a vendor-approved hard or soft case. Part numbers for these cases are listed on page 37.

If You Need Assistance

The first place to look for help is in this manual. Be sure to check the guidelines in “Troubleshooting” on page 33. Or, check the Service and Support section of our website at <http://www.askproxima.com/service>.

Warranty

This product is backed by a limited warranty. The details of the warranty are printed at the back of this manual. An extended warranty plan may be purchased from your dealer. When sending your projector in for repair, we recommend shipping the unit in its original packing material, or having a professional packaging company pack the unit for shipping. Please insure your shipment for its full value.

SETTING UP THE PROJECTOR

- 1 Place the projector on a flat surface.
 - The projector must be within 6 feet (1.8 m) of your power source and your computer.
 - If you want to project from behind a translucent screen, set up the projector behind your screen. See “Rear” on page 24 to reverse the image.
- 2 Position the projector the desired distance from the screen.
 - If the image is too big or too small, use the zoom ring to adjust the size or move the projector forward or backward. Figure 5 shows three projected image sizes. For more information about image size, see “Projected Image Size” on page 38.



NOTE: The projector must be at least 4.9 feet (1.5 m) from the projection screen.

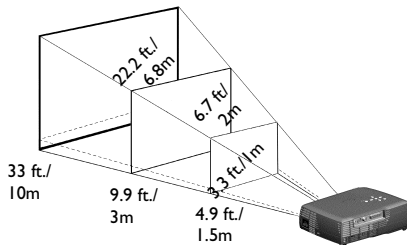


FIGURE 5

Projected image size

- 3 Make sure the projector and the computer are turned off.



NOTE: Before you continue, make sure the projector and all other equipment is turned off. If you're connecting a computer, make sure the distance between it and the projector is 6 feet or less.

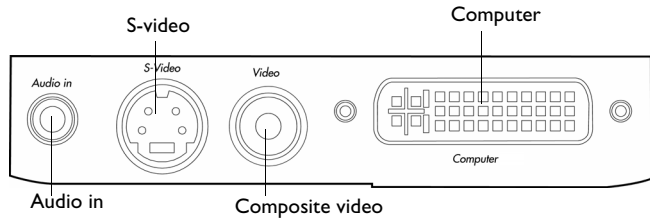
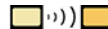


FIGURE 6

Connector panel

Wireless Projection

You can use the projector's Computer connector along with the InFocus® LiteShow® wireless adapter and software for cable-free digital projection. Contact an authorized InFocus dealer or visit our website at www.infocus.com for more information.





Connecting a Computer

The projector ships with an analog computer cable. If your computer has a digital output, you can order the optional digital computer cable. Using a digital source generates the highest quality and brightest image possible. See “Optional Accessories” on page 37.

- 1 Plug the black end of the computer cable into the “Computer” connector on the projector.
- 2 Plug the blue end of the computer cable into the video connector on your computer. If you are using a desktop computer, you need to disconnect your monitor cable from your computer.

NOTE: Many laptop computers do not automatically turn on their external video port when a secondary display device such as a projector is connected. Refer to your computer manual for the command that activates the external video port.

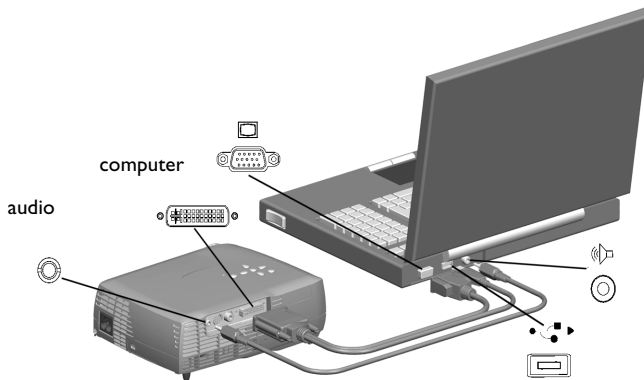


FIGURE 7

Connecting the projector to a computer

Do you want to play your computer's audio on the projector?

- 1 Plug either end of the audio cable into the audio connector on your computer.
- 2 Plug the other end of the audio cable into an “Audio in” connector on the projector.



.....

NOTE: *The USB mouse is supported for use with Windows 98 or higher only.*

Do you want to advance slides in PowerPoint with the projector's remote?

- I Plug the USB end of the computer cable into the mouse connector on your computer.

You must have the appropriate USB drivers installed on your computer to use the USB feature. Windows 98 ships with the appropriate drivers. For more information, see "Powering up the Projector" on page 11.

Now you're ready to power up the projector and your computer. Skip to page 11.

Connecting a Video Player

If your video device (VCR, DVD player, video camera) uses a round, one-prong composite video connector, use the composite audio/video (A/V) cable.

- If your video device uses a round, four-prong S-video connector, use an S-video cable, ordered separately. S-video generates a higher quality image.
- 1 Plug the A/V cable's round yellow connector into the "video-out" connector on your video device (Figure 8). This connector may be labeled "To Monitor."
 - If you're using an S-video cable, connect the round black connector to the "S-video out" connector on the video device.
 - 2 Plug the other yellow connector into the "Video" connector on the projector.
 - If you're using S-video, plug the other end of the cable into the "S-video" connector on the projector.

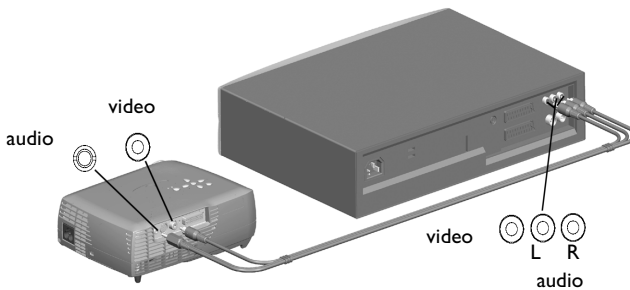


FIGURE 8

Connecting the projector to a VCR using the A/V cable

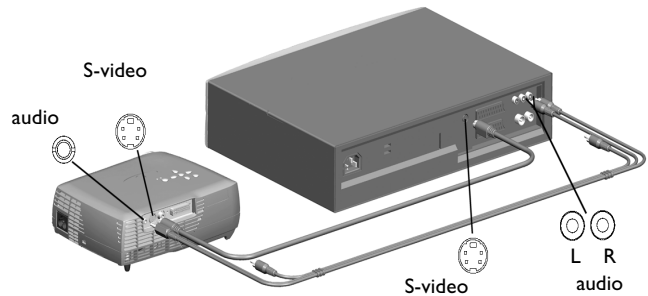


FIGURE 9

Connecting the projector to a VCR using the S-video cable and A/V cable



CAUTION: Your video player may also have a “Video Out” connector for a coaxial cable connection. DO NOT use this to connect to the projector.

- 3 Plug the A/V cable’s white connector into the left “audio out” connector on your video device. Plug the cable’s red connector into the right “audio out” connector on the video device.
- 4 Plug the blue end of the A/V cable into the “Audio in” connector on the projector.
 - When you are using the S-video cable along with the A/V cable, the A/V cable’s yellow connectors are not used.

The projector is compatible with these major broadcast video standards: NTSC, NTSC 4.43, PAL, PAL-M, PAL-N, PAL-60, and SECAM. It automatically adjusts to optimize its performance for the incoming video.

Powering up the Projector

- 1 Remove the lens cap.
- 2 Plug the power cord into the side of the projector, then plug it into your electrical outlet. A surge-protected power strip is recommended.
 - The LED turns orange (Figure 6 on page 6).
- 3 Press the **Power** button on the top of the projector.
 - The fans start to run, the LED on the top of the projector (Figure 6 on page 6) lights solid green if the projector is connected to a valid source, and the startup screen appears. It takes about one minute for the image to achieve full brightness.
- 4 If you connected to a video player, turn it on.
 - The video image should display on the projection screen. If it doesn't, press the **Source/Select** button on the keypad or the **Video** button on the remote to display your video image.
- 5 If you connected to a computer, turn it on.

The first time you connect a particular computer to the projector, the computer recognizes the projector as “new hardware” and the Add New Hardware Wizard appears. Follow these instructions to use the Wizard to load the correct driver (which was installed with your Windows operating system).



Click Next. Make sure “Search for the best driver” is selected, then click Next.



NOTE: Always use the power cord that shipped with the projector.



NOTE: The first time you connect your computer to the projector, the computer may display a message stating that new hardware was found. The Add New Hardware Wizard may appear. Use the Wizard to load the correct driver (the computer considers the projector a Plug and Play Monitor).



Uncheck any checked boxes, then click Next. Windows automatically locates the driver. If this driver has been removed, reload the driver using your Windows operating system CD.



When Windows finds the driver, you are ready to install it. Click Next.



Click Finish when installation is complete.

- 6 The computer image should display on the projection screen. If it doesn't, press the **Source/Select** button on the keypad or the **Computer** button on the remote to display your computer's image.
 - Make sure your laptop's external video port is activated; see your laptop's documentation for details.
 - If necessary, make adjustments to the image using the projector's on-screen menus. To open the menus, press the **Menu** button on the keypad or remote. For more information about the menus, see page 21.



NOTE: *With some computers, the order in which you power up the equipment is very important. Most computers should be turned on last, after all other peripherals have been turned on. Refer to your computer's documentation to determine the correct order.*

Turning Off the Projector

To turn off the projector, press the **Power** button. A dialog box appears, asking for confirmation. Press **Power** again to turn the lamp off. The fans continue to run and the LED blinks orange for about 90 seconds, then the projector shuts off. The LED then stays on solid orange until the power cord is removed from the projector.

If you want to turn the lamp back on, you must allow 90 seconds for the lamp to cool. The lamp won't light if it's too hot.

You can also use the Display Power Management System (DPMS) to automatically turn the projector off if no active source is found. See page 24 for details.



.....
NOTE: To maximize lamp life,
allow the projector to run for at
least five minutes before turning
it off.

USING THE PROJECTOR

This section describes how to use and make adjustments to the projector. It also provides a reference to the keypad and remote buttons and the options available from the on-screen menus.

Basic Image Adjustment

- 1 Make sure you have powered up your equipment in the right order (page 11).
- 2 If the image doesn't display completely, rotate the zoom ring (below), adjust the height of the projector (page 16) or center the image by adjusting its horizontal or vertical position (page 23). Be sure the projector lens is at a 90 degree angle to the screen.
- 3 If the image is out of focus, rotate the focus ring (below).
- 4 If the colors don't look right, adjust the brightness, contrast, tint, or color (page 21).

Adjusting the Projector

To focus the image, rotate the focus ring (Figure 10) until the image is clear. To zoom the image, rotate the zoom ring. This adjusts the image size.

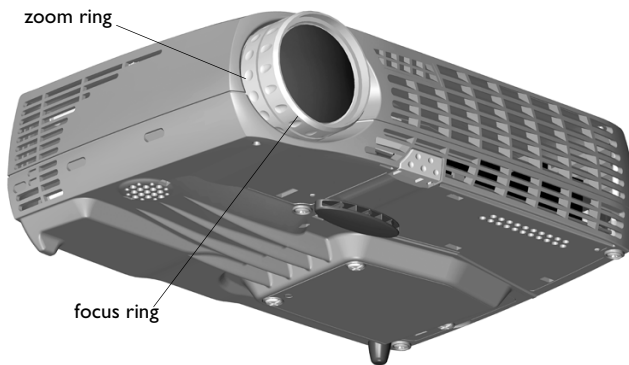


FIGURE 10

Focus ring and zoom ring



NOTE: To obtain the best overall focus quality, open the menu and focus on the text. This will ensure that the best overall image quality is achieved.

The projector is equipped with a self-locking, quick-release foot and a leveling foot.

To raise the projector:

- 1 Raise the projector to the height you want, then press and hold the foot release button. Release the button to lock the foot into position (Figure 11).
- 2 If necessary, manually rotate the leveling foot to adjust the angle of the projected image.

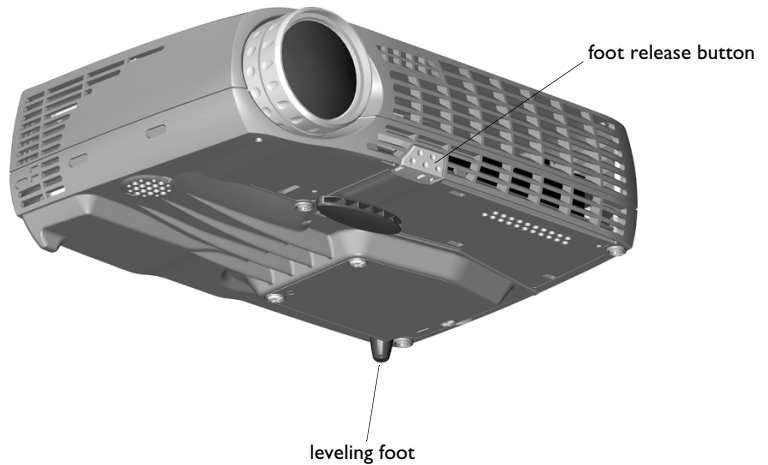


FIGURE 11

Adjusting the height of the projector

Using the Remote Control

To advance PowerPoint slides with the projector's remote, you must connect the USB cable on the projector's computer cable to the computer. See page 8 for more information.

Point the remote control at the projection screen or at the front or rear of the projector (not at the computer). The range for optimum operation is about 30 feet. If you point the remote at the projection screen, the distance to the screen and back to the projector must be less than or equal to 30 feet. For best results, point the remote directly at the projector.

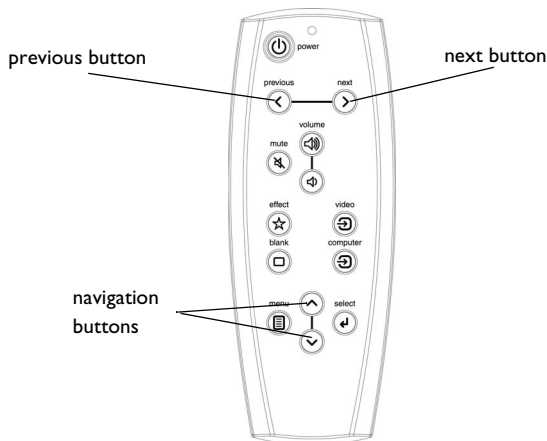


FIGURE 12

Remote control

If you are displaying presentations in Microsoft® PowerPoint®, you can use the remote's Previous and Next buttons to navigate through your presentation while in Slide Show mode.

Using the Keypad and Remote Buttons

While the menus are displayed, the **Keystone** and **Volume** buttons on the keypad and the arrow buttons on the remote and the **Select** button act as menu navigation and adjustment buttons. See “Using the On-Screen Menus” on page 20 for details.

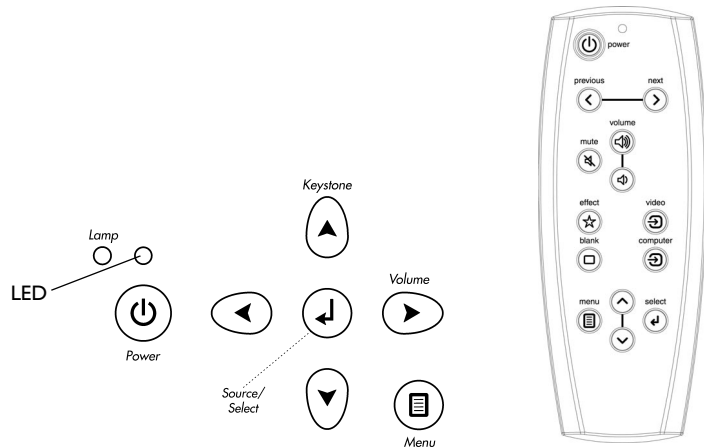


FIGURE 13

Keypad and remote buttons

Menu

Press the **Menu** button to open the on-screen menus. Press **Menu** again to close the menus. When you close the menus, the projector saves any changes you made. The menu automatically closes after 1 minute if no buttons are pressed. For more information about the on-screen menus, see page 20.

Computer and Video and Source/Select

When you have more than one source (computer and video) connected to the projector, select between them by pressing the **Source/Select** button on the keypad or the **Computer** or **Video** buttons on the remote. A “Source/Select” dialog box appears. Use the arrow keys to highlight the desired source, then press **Select**.

Power

Press this button to turn the projector on and off. See page 11 and page 14 for details.

Volume, Mute

Press the **Volume** buttons to adjust the volume and the **Mute** button to silence the sound.

Arrow buttons

Use these to navigate through and make adjustments to the on-screen menus. See “Using the On-Screen Menus” on page 20 for details.

Keystone (keypad only)

Use this feature to adjust the image vertically and make a squarer image.

- 1 Press the **Keystone up** arrow to reduce the upper part of the image, and press the **Keystone down** arrow to reduce the lower part. You can adjust this from -15 degrees to +40 degrees. You can also adjust keystone from the Basic menu (see page 22 for details on the menu).

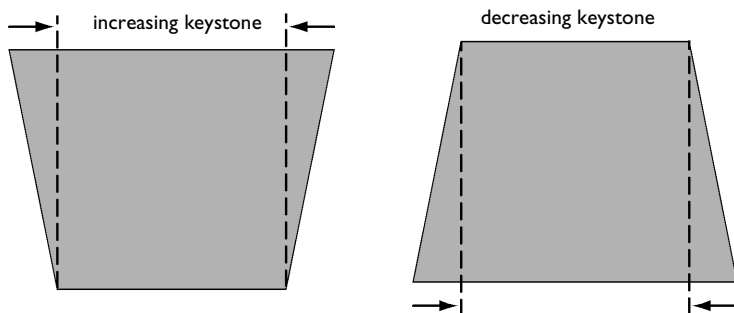


FIGURE 14

Adjusting the keystone

Effect (remote only)

Press this button to invoke the presentation effect. The default effect is mute. You can select among PiP, magnify, freeze, mask, 16:9, and mute. See page 25 for details.

To use the magnify effect, select it in the Effect menu, press **Effect**, then use the up and down arrows on the keypad to increase or decrease the magnification. If you press **Effect** again, you can use the arrows to pan the image, displaying different parts of it (only if the image is magnified). To return to the original size from pan mode, press the **Effect** button.

Blank

Press this button to display a blank screen instead of the current image.

Using the On-Screen Menus

The projector has menus that allow you to make image adjustments and change a variety of settings.

To open the on-screen menus, press the **Menu** button on the keypad or remote. This displays the **Basic** menu and changes the **Keystone** and **Volume** buttons on the keypad to menu navigation buttons. Press the down arrow button to move the cursor down and press the up arrow button to move the cursor up. The selected menu is highlighted.



NOTE: Some menu items may be grayed out (dimmed) at certain times. This indicates the item is not applicable to your setup or the item is not enabled until another selection is made.

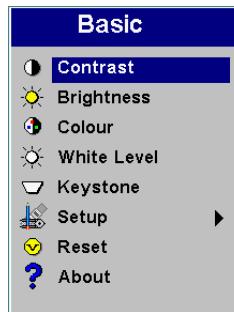


FIGURE 15

On-screen menu

To change a menu setting, use the up and down arrow buttons to move the cursor up and down to the item you want to change (the selected item is highlighted), then press the **Select** button. Use the arrows to adjust the setting or to turn a setting on or off. Press **Select** when you are done.

To access a sub-menu, highlight it and press **Select**. To navigate back to the previous menu, highlight the arrow at the top of the menu and press **Select**.

Use the up and down arrows to move to another setting. When you have completed your adjustments, press **Menu** to close the menus.

Basic Menu



FIGURE 16

Basic menu

Contrast

The contrast controls the degree of difference between the lightest and darkest parts of the picture. Adjusting the contrast changes the amount of black and white in the image.

- I Use the up and down arrows to highlight Contrast, press **Select**, use the arrows to adjust the contrast from 0 to 100 in the slider bar, then press **Select** to accept your changes.

Brightness

Adjusting the brightness changes the intensity of the image.

- I Use the up and down arrows to highlight Brightness, press **Select**, use the arrows to adjust the brightness from 0 to 100 in the slider bar, then press **Select** to accept your changes.

Color

The color setting adjusts a video image from black and white to fully saturated color.

- I Use the up and down arrows to highlight Color, press **Select**, use the arrows to adjust the color from 0 to 100 in the slider bar, then press **Select** to accept your changes.

White Level

White Level increases the brightness of whites that are near 100%. The default is 100% for computer sources and 20% for video sources. Changes are saved per source when the projector is powered down.



NOTE: *The color setting applies to video sources only.*

Keystone

This option helps to keep the image square as the angle of projection is changed. Use this feature to adjust the image vertically and make a squarer image. See page 19 for details on keystone adjustments.

- | Press the down button to highlight Keystone, then press **Select**. Use the arrows to adjust the keystone setting from -63 to +64 in the slider bar. Press **Select** to accept your changes.

Setup

See the following pages for details on this menu.

Reset

This re-synchronizes the projector to the active computer or video source.

About

This read-only menu provides information about the source, such as resolution and horizontal and vertical frequencies.

Setup menu

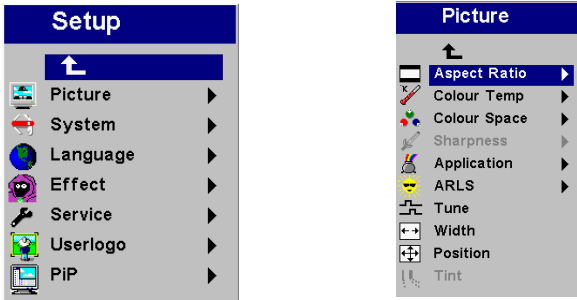


FIGURE 17

Setup and Picture menus

Picture menu

- **Aspect Ratio:** The default is 4:3. Click 16:9 if you are watching videos in widescreen format. Click Native to display the image in its native format. Highlight Aspect Ratio, press **Select**, use the up and down arrows to highlight your selection, then press **Select**.
- **Color Temp:** The default is Presentation. Choose Film if you are watching a film.
- **Color Space:** This option applies to computer sources. It allows you to select a color space that has been specifically tuned for the video input. When Auto is selected, the projector automatically determines the standard. To choose a different setting, turn off Auto, then choose RGB for computer sources, choose either SMPTE240, REC709 or REC601 for component sources.
- **Sharpness:** Adjusts the sharpness of video images.
- **Application:** Sets the mode for the application of the projector. The options are Normal, Presentation, and Film.
- **ARLS:** Automatic Room Light Sensing. The choices are Automatic, Dark, and Bright.
- **Tune:** Use the arrows to adjust the horizontal phase and fine tuning of the image.
- **Width:** Use the arrows to adjust the width of the image.
- **Position:** Use the arrows to adjust the horizontal or vertical position of the image.
- **Tint:** Use the arrows to adjust the tint of video images.



.....
NOTE: Sharpness and Tint are only available with a video source.

System menu

Turn the features in the System menu on and off by highlighting them and pressing **Select**. A checkmark in the box indicates the feature is on; an empty box means the feature is off.



FIGURE 18

System menu

- **Rear**: This reverses the image so you can project from behind a translucent screen.
- **SourceSearch**: When this feature is on, the projector automatically searches for an active source. When it is off, you must press the **Source/Select** button on the keypad or **Computer** and **Video** buttons on the remote to switch among sources.
- **Hide OSD**: This hides the on-screen display (OSD) of the adjustment bars that appear when you adjust things using the keypad, such as volume. It does not hide the menu's adjustment bars.
- **DPMS enable**: This turns the Display Power Management System (DPMS) on. When it is on, the projector turns the lamp off after 3 minutes of not detecting an active source. The projector will return to normal activity immediately if it detects an active source. After 5 additional minutes, the projector turns off. You must press the **Power** button to turn the projector back on. The LED blinks green when in DPMS mode.

Language menu

You can display the on-screen menus in German, English, Spanish, French, Italian, Norwegian, Portuguese, Japanese, Chinese, or Simplified Chinese. Highlight the desired language, then press **Select**. The menus redraw immediately.



FIGURE 19

Language menu

Effect menu

This menu allows you to assign a different effect to the **Effect** button on the remote. The default effect is mute. Highlight an effect and press **Select** to choose a different one.



FIGURE 20

Effect menu

- **Magnify:** This allows you to enlarge and display different parts of the image. See page 19 for details on magnify.
- **Freeze:** This freezes the projected image.
- **Mask:** This masks the projected image with a black screen.
- **Mute:** This mutes the sound.
- **16:9:** This changes the aspect ratio to 16:9.
- **PiP:** This displays a small video source picture in the computer source picture. Without a video source it is a blank frame. The computer source cannot be displayed in the video source picture.

Service menu

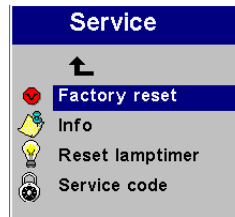


FIGURE 21

Service menu

- **Factory reset:** This resets all options (except rear, language, and lamp time) to the original factory settings. Highlight it, then press **Select**. A confirmation dialog box appears. Press **Select** to reset, or press the right arrow button to highlight No, then press **Select** if you don't want a reset.
- **Info:** This read-only window provides information on the projector's software, the number of hours the current lamp has been in use, and selected image settings. Press **Select** to close this window.
- **Reset lamptimer:** This resets the lamp hour timer to zero. After replacing the lamp (page 30), highlight Reset lamptimer, press **Select**, then press it again to confirm your selection. The timer in the Info window resets to zero.
- **Service Code:** This window can only be accessed by service personnel by entering a code.

User's logo menu

This menu allows you to display a blank blue or black screen instead of the default screen at startup and when no source is detected. It also allows you to capture and display a custom logo.

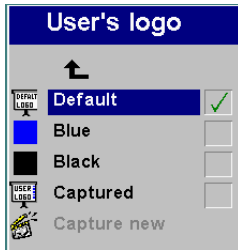


FIGURE 22

User's logo menu

- Highlight the desired color (black or blue), then press **Select**.

To capture a custom logo:

- 1 Display the image you want to capture on your computer, highlight Capture New, then press **Select**.
- 2 Use the keypad arrows to position the capture rectangle around your logo, then press **Select**.
- 3 Select the quality of the logo capture and press **Select**.
 - While the capture is underway, the LED on the keypad turns red. When ready, the projector confirms the capture and the LED changes to green.

The next time you start the projector, the custom logo you captured displays.



.....
NOTE: The higher quality capture you select, the more memory will be used in the capture process. To use less memory, select good or medium as the capture quality.

PiP

PiP (Picture in Picture) allows you to overlay a smaller window showing the video source on top of the larger computer source window. You must have both a computer and video source connected to use PiP. You can't show a computer image in the smaller PiP window, only a video image. You can select a small, medium, or large window. You can also move the PiP window on the screen using the PiP Position X and Y options in the menu. Press the up and down arrows to change the position.

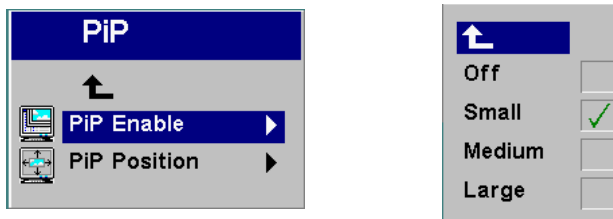


FIGURE 23

PiP menu

MAINTENANCE & TROUBLESHOOTING

This section describes how to:

- clean the lens
- clean the lamp filter screens
- replace the projection lamp
- replace the batteries in the remote
- use the security lock feature
- troubleshoot the projector

Cleaning the Lens

Follow these steps to clean the projection lens:

- 1 Apply a non-abrasive camera lens cleaner to a soft, dry cloth.
 - Avoid using an excessive amount of cleaner, and don't apply the cleaner directly to the lens. Abrasive cleaners, solvents or other harsh chemicals might scratch the lens.
- 2 Lightly wipe the cleaning cloth over the lens in a circular motion.
- 3 If you don't intend to use the projector immediately, replace the lens cap.

Cleaning the Lamp Filter Screens

In dirty or dusty environments, the dust filter screens on and around the lamp module can become clogged, causing high temperatures inside the lamp module. These high temperatures can cause premature lamp failure. Routine maintenance to remove dust and dirt from the screens lowers the lamp operating temperature and prolongs lamp life. To maximize lamp life you may want to clean the screen every 250 hours.

- 1 Remove the lamp module. Refer to "Replacing the Projection Lamp" on page 30 for instructions.
- 2 Examine the dust filter screens on the lamp module and in the lamp housing area. If necessary, use a vacuum cleaner set on low power to clean the screens. Be careful not to disturb any internal components when cleaning the screens.
- 3 Replace the lamp module.



WARNING: To avoid burns, allow the projector to cool for at least 60 minutes before you replace the lamp. Never extract the lamp housing while the projector is operating.



WARNING: Be extremely careful when removing the lamp housing. In the unlikely event that the bulb ruptures, small glass fragments may be generated. The lamp module is designed to contain these fragments, but use caution when removing the lamp module. Before replacing the lamp, clean the lamp compartment and dispose of cleaning materials. Wash hands after lamp replacement. This product has a lamp which contains a very small amount of mercury. Dispose of it as required by local, state or federal ordinances and regulations. For more information see www.eiae.org.

Replacing the Projection Lamp

The lamp hour timer in the Service Info menu counts the number of hours the lamp has been in use. When the timer reaches 2900 hours, the Lamp LED lights red, indicating that it is time to change the lamp. You can order new lamp housings from your dealer. See “Accessories” on page 37 for information.

Follow these steps to replace the projection lamp:

- 1 Turn off the projector and unplug the power cord.
- 2 Wait 60 minutes to allow the projector to cool thoroughly.
- 3 Turn the projector upside down and loosen the captive screw on the lamp door. The lamp door is part of the lamp housing.



FIGURE 24

Removing the screws on the lamp door

- 4 Insert the screwdriver in the tab on the lamp door and pry the door up.



FIGURE 25

Inserting the screwdriver into the lamp housing tab

- 5 Carefully remove the lamp housing. Dispose of the lamp in an environmentally proper manner.



FIGURE 26

Removing the lamp housing

- 6 Install the new lamp housing. Be careful to attach the connector on the lamp housing to the connector inside the projector. These connectors are located near the leveling foot.
- 7 Tighten all three screws.
- 8 Plug in the power cord, then press the **Power** button to turn the projector back on.
- 9 To reset the lamp hour timer, navigate to the Setup/Service menu and choose Reset lamptimer. See page 26 for details on the Service menu.



WARNING: Do not drop the lamp module or touch the glass bulb! The glass may shatter and cause injury.

Replacing the Batteries in the Remote Control

The life of the batteries depends on how often and how long you use the remote. Symptoms of low battery charge include erratic responses when using the remote and a reduced range of operation.

- 1 Turn the remote face down in your hand.
- 2 Slide the door off the end of the remote.
- 3 Remove the old batteries and dispose of them in an environmentally proper manner.
- 4 Install two new AA alkaline batteries. Make sure you install each in the correct direction.
- 5 Re-install the door.

Using the Security Lock

The projector has a security connector for use with a PC Guardian Cable Lock System (Figure 27). See “Accessories” on page 37 for ordering information. Refer to the information that came with the lock for instructions on how to use it.



FIGURE 27

The security lock

Troubleshooting

LEDs

The Lamp LED on top of the projector (Figure 13 on page 18) will alert you to certain problems.

- A solid red Lamp LED means it is time to change the lamp. See page 30.
- A blinking red Lamp LED means the projector is overheating. Turn off the projector and allow it to cool.

The other LED on top of the projector indicates the normal operating state of the projector.

- A solid green LED means the projector is on.
- A blinking green LED means the projector does not recognize an active source or is in DPMS mode. See page 24.
- A blinking orange LED means the projector is going into standby mode; a solid orange LED means the projector is in standby mode. See page 24 for details.

Problem: The projector is not running

- Make sure that the power cord is properly connected to a functional AC electrical outlet. Make sure that the power cord is also properly connected to the projector.
- If the projector is plugged into a power strip, make sure the power strip is turned on.
- Make sure the projector is turned on. Verify that the LED is solid green.

Problem: Projector is running, but nothing appears on projection screen

- Make sure you have removed the lens cap on the projection lens at the front of the projector.
- Make sure Mask is not active in the Effect menu. See page 25.
- Check the projector's lamp housing to ensure that it is securely connected to the bottom case. See "Replacing the Projection Lamp" on page 30.

Problem: Only the start-up screen displays

- Verify that the cables are connected correctly. See page 7 for connection procedures.
- Make sure that the cables do not have any bent pins.
- Verify that the proper input source is connected. See “Computer and Video and Source/Select” on page 18.
- Try resetting the projector. See page 22.
- You might need to turn everything off and power up the equipment again in the proper order. Refer to your computer’s documentation to determine the correct order.
- Make sure your laptop’s external video port is turned on. See your computer’s manual for details.
- Make sure your computer’s video board is installed and configured correctly.
- Make sure your computer has a compatible video board. The projector isn’t CGA or EGA compatible.

If you’re using Windows 98:

- 1 Open “My Computer” icon, the Control Panel folder and then the Display icon.
- 2 Click the Settings tab.
- 3 Verify that the Desktop area is set to 1280x1024 or less.

Problem: Color or text not being projected

- You might need to adjust the brightness up or down until the text is visible. Refer to “Brightness” on page 21 for more information.

Problem: The screen resolution is not right

- Make sure the computer’s video card is set for a resolution of no greater than 1280x1024.

Problem: Image isn’t centered on the screen

- Move the projector to reposition the image.
- Reposition the image using the menu. Refer to page 23.
- Be sure the projector lens is at a 90 degree angle to the screen.

Problem: Image is too wide or narrow for screen

- Adjust the zoom or projector placement.
- Adjust the width of the image. See page 23.

Problem: Image is out of focus

- Turn the projection lens to focus the image.
- Make sure the projection screen is at least 4.9 feet (1.5 m) from the projector, and that the projector is at a 90 degree angle to the screen.
- Check the projection lens to see if it needs cleaning.

Problem: Projector does not respond to remote control

- Check to see if the batteries in the remote control are viable.
- Check to see if the batteries are inserted properly.

Problem: No sound

- Check the audio input connections.
- Adjust the projector's or audio source's volume.
- Verify that the projector's internal speaker is not set to mute.

Problem: Image and menus are reversed left to right

- Rear projection mode is probably turned on. Turn Rear off in the System menu. The image should immediately return to forward projection. See page 24.

Problem: Projected image is distorted

- Try resetting the projector. See page 22.
- Adjust the tuning of the image. See page 23.

Problem: Projected colors don't match the computer or video player's colors

- Just as there are differences in the displays of different monitors, there are often differences between the computer image and the projected image. Adjust the brightness, color and/or contrast in the Main menu. See page 23.

Problem: Lamp seems to be getting dimmer

- The lamp begins to lose brightness when it has been in use for a long time. Replace the lamp as described in "Replacing the Projection Lamp" on page 30.

Problem: Lamp shuts off

- A minor power surge may cause the lamp to shut off. Turn off the projector, wait at least a minute, then turn it back on.
- Make sure the vents on the projector are not blocked.

The most current troubleshooting information can be found in the Service and Support section of our website at <http://www.askproxima.com/service>.

APPENDIX

Accessories

Standard Accessories (ship with the projector)	Part Number
Quick Start card	009-0640-xx
User's Guide	010-0538-xx
CD	010-0539-xx
Shipping Box (with packaging)	111-0005-xx
Computer Cable 6 ft (1.8 m)	210-0185-xx
Audio/Video Cable 6 ft (1.8 m)	301379B
Audio Cable 6 ft (1.8 m)	210-0118-xx
Power Cord, US*	210-0255-xx
Power Cord, Europe*	210-0254-xx
Remote	590-0728-xx
Projection Lamp Module (included in projector)	SP-LAMP-003
Lens Cap	505-1120-xx
SCART Adapter *	301130B
Safety Instruction	801454

* Country-dependent

Optional Accessories

LiteShow Wireless Connection	LP-LITESHOW
Carry Case	110-0342-00
Leather Case - Projector and Laptop	CA-EXE-002
Replacement Lamp	SP-LAMP-003
Shipping Case	CA-ATA-010
Soft Carry Case - Projector and Laptop	CA-DLX-001
Samsonite Wheeled Case - Projector + Laptop	CA-WHL-002
1 in 2 Out VGA Splitter (Monitor Loop-thru)	HW-VGA2OUT
DVI-Digital Computer Cable	SP-DVI-D
Projector Security Lock	SP-LOCK
Remote, Mindpath Gyropoint	GYRO-RF
Remote, Mindpath IR50F/x	IR50F/X
Remote, Mindpath RF Pocket Point	HW-RF-POCKTPNT
Screen, 40" Portable	HW-PORTSCR40
Screen, 50" Portable	A650



NOTE: Use only approved accessories. Other products have not been tested with the projector. See our website for the latest list of available accessories.

Projected Image Size

Use the table to help you determine projected image sizes.

*Table 1:
Image Size, Width and Height for Lens at Maximum Image Size*

Distance to Screen (feet/m)	Diagonal (inches/m)	Width (inches/m)	Height (inches/m)
4.9/1.5	40/1	32/.8	24/.6
7.4/2.3	60/1.5	48/1.2	36/.9
9.9/3.0	80/2	64/1.6	48/1.2
12.3/3.8	100/2.5	80/2	60/1.5
18.5/5.6	150/3.8	120/3	90/2.3
32.8/10.0	266/6.8	213/5.4	160/4.1

*Table 2:
Image Size, Width and Height for Lens at Minimum Image Size*

Distance to Screen (feet/m)	Diagonal (inches/m)	Width (inches/m)	Height (inches/m)
4.9/1.5	31/.8	25/.64	19/.48
7.4/2.3	47/1.2	38/1	28/.7
9.9/3.0	63/1.6	50/1.3	38/.8
12.3/3.8	79/2	63/1.6	47/1.2
18.5/5.6	118/3	94/2.4	71/1.4
32.8/10.0	209/5.3	167/4.2	125/3.3

INDEX

A

- About 22
- accessories, ordering 37
- adjusting
 - brightness 21
 - color 21
 - contrast 21
 - height of projector 15
 - image position 23
 - image width 23
 - keystone 22
- adjusting the image 23
- Application 23
- ARLS 23
- Aspect Ratio 23
- assistance. See Technical Support
- audio/video (A/V) cable
 - connecting to video source 9

B

- Basic menu 21
- brightness, adjusting 21

C

- cables
 - A/V cable 2
 - audio 7
 - computer cable 7
 - ordering 37
 - video 9
- cleaning the lamp filter screens 29
- cleaning the projection lens 29
- Color temperature 23
- color, adjusting 21
- colors
 - don't match monitor colors 35
 - not displayed 34
- compatibility

- IBM-compatible 1
- Macintosh 1
- computer cable 2, 6, 7
- computers
 - compatible 1
 - connecting 6, 7
- connecting
 - computer 6, 7
 - power cord 11
 - video player 9–10
- Connector panel 6
- contrast, adjusting 21
- custom logo
 - startup screen 27

D

- displaying on-screen menus 18
- DPMS mode 24

E

- Effect
 - remote 19
- Effect button 19
- Effect menu 25

F

- Factory reset 26
- focusing the image 15
- Freeze 25

G

- Guidelines
 - how to handle the projector 4

H

- Hide OSD 24

I

IBM-compatible computers

- compatibility 1
- connecting 6, 7

image

- adjusting 11, 15
- colors don't match computer's 35
- focusing 15
- freezing 25
- has lines or spots 35
- not centered 34
- not displayed 33
- out of focus 35
- quality 34–35
- resolution 1
- reversed 35
- size 5, 38
- too wide or too narrow 35
- zooming 15

Info 26

K

- keypad 18
- keystone adjustment 19, 22

L

lamp

- cleaning filter screens 29
- ordering 37
- replacing 30
- turns off unexpectedly 36

lamp hour timer 26

Language menu 25

laptop computers

- compatibility 6, 7
- connecting 7

LED 11, 18, 33

lens

- cap 37
- cleaning 29

M

Macintosh computers

- compatibility 1
- connecting 6

Magnify 25

magnifying the image 19

maintenance 29

menus. See on-screen menus

monitor, projected colors don't match 35

Mute 25

O

on-screen menus

- displaying 20

P

Picture menu 23

PiP 25

position, adjusting 23

Power 18

power cord

- connecting 11

power saving mode 24

power up sequence 13, 34

Q

Quick Start card 1

R

Rear projection 24

Remote Control

- does not control projector 35

remote control

- replacing the batteries 32
- using 17, 18

replacing projection lamp module 30

Reset 22

resetting the lamp timer 26

resetting the projector 22, 26

resolution 1

S

- safety guidelines iii
- security lock 32
- Service Code 26
- Service menu 26
- Setup menu 21, 22
- Sharpness 23
- Shipping box contents 2
- shutting off the projector 14
- sound
 - no sound 35
- Source/Select button 18
- SourceSearch 24
- starting up the projector 11
- startup screen
 - custom logo 27
- S-video, connecting 9
- System menu 24

T

- text not visible 34
- Tint 23
- troubleshooting 33
- Tune 23
- turning off the projector 14
- turning on the projector 11

U

- User's logo menu 27

V

- vertical lines displayed 35
- video cable
 - connecting 9
- Volume
 - remote 19

W

- wireless projection 6

Z

- zooming the image 15

Limited Warranty

Subject to the Limitations, Exclusions and Disclaimers hereof, InFocus Corporation (“InFocus”) warrants that the Projector, Lamps and Accessories (hereinafter collectively or individually referred to as “Product” as appropriate) purchased from InFocus, an InFocus distributor, or an InFocus reseller will conform to InFocus’ specifications and be free from defects in material or workmanship for the respective Limited Warranty period provided below. InFocus does not warrant that the Product will meet the specific requirements of the end-user customer.

If the Product while subject to this Limited Warranty, is defective in material or workmanship during the warranty period, then InFocus, at its option, will REPAIR or REPLACE the Product.

All exchanged parts and Products replaced under this Limited Warranty will become property of InFocus. InFocus’ sole obligation is to supply (or pay for) all labor necessary to repair the Product found to be defective within the Limited Warranty period and to repair or replace defective parts with new parts or, at the option of InFocus, serviceable used parts that are equivalent or superior to new parts performance. Limited Warranty periods are as follows:

- **Projector Product Limited Warranty Period (Excluding Lamps):** Two (2) years from date of purchase.
- **Lamp Product Limited Warranty Periods:** From the date of Projector Product purchase, the original installed lamp shall have a **90-day or 500 hours** usage Limited Warranty Period, whichever comes first, and replacement Lamps purchased at the time of Projector Product purchase will have a **500 hours** usage Limited Warranty period.
- **Accessory Product Limited Warranty Period:** one (1) year from date of purchase.

WARRANTY LIMITATION AND EXCLUSION

THIS WARRANTY SETS FORTH INFOCUS’ MAXIMUM LIABILITY FOR ITS PRODUCT. THIS WARRANTY EXTENDS ONLY TO PRODUCTS PURCHASED FROM INFOCUS OR AN INFOCUS AUTHORIZED RESELLER. InFocus shall have no further obligation under the foregoing Limited Warranty if the Product has been damaged due to abuse, misuse, neglect, smoke exposure (cigarette or otherwise), accident, unusual physical or electrical stress, unauthorized modifications (including use of an unauthorized mount), tampering, alterations, or service other than by InFocus or its authorized agents, causes other than from ordinary use or failure to properly use the Product in the application for which said Product was intended.

This Limited Warranty excludes Product cleaning, repair, or replacement of plastics due to cosmetic damage and damage as a result of normal wear. Product repair outside of the terms of the Limited Warranty will be on a time and materials basis. Prolonged Product “demonstration” causes unusual Product wear and is not considered normal use under the terms of this Limited Warranty.

The Accessory Product Limited Warranty covers the accessory item only and excludes normal wear. The Lamp Product Limited Warranty excludes expected lamp degradation.

Remanufactured Products and Software Products are exempt from the foregoing Limited Warranty. Please refer to the appropriate Remanufactured Product Limited Warranty or Software Product Limited Warranty for applicable Warranty information.

DISCLAIMER OF UNSTATED WARRANTIES

THE WARRANTY PRINTED ABOVE IS THE ONLY WARRANTY APPLICABLE TO THIS PRODUCT. ALL OTHER WARRANTIES, EXPRESS OR IMPLIED, INCLUDING, BUT NOT LIMITED TO, THE IMPLIED WARRANTIES OF MERCHANTABILITY AND FITNESS FOR PARTICULAR PURPOSE ARE DISCLAIMED. THERE ARE NO WARRANTIES THAT EXTEND BEYOND THE DISCRPTION ON THE FACE HEREOF AND THE FOREGOING WARRANTY SHALL NOT BE EXTENDED, ALTERED OR VARIED EXCEPT BY WRITTEN INSTRUMENT SIGNED BY INFOCUS. SOME JURISDICTIONS DO NOT ALLOW LIMITATIONS ON HOW LONG AN IMPLIED WARRANTY MAY LAST, SO SUCH LIMITATIONS MAY NOT APPLY TO YOU.

Limited Warranty Period

The Limited Warranty periods hereof commence on the date of purchase by the end-user customer. These Limited Warranty provisions shall apply only to the end-user purchaser (first person or entity that purchased a new Product for personal or business use and not for the purpose of distribution or resale). SOME JURISDICTIONS MAY GRANT YOU CONSUMER RIGHTS WITH MINIMUM WARRANTY DURATION THAT DIFFER FROM THE DURATIONS PROVIDED HEREIN, AND INFOCUS WILL HONOR ALL SUCH CONSUMER RIGHTS.

To Be Eligible For Limited Warranty Coverage

Any person exercising a claim under this Limited Warranty must establish to the satisfaction of InFocus both the date of purchase and that the Product was purchased new. The sales receipt or invoice, showing the date of purchase of the Product is the proof of the date of purchase.

To Obtain Warranty Service

During the Limited Warranty period, to exercise this Limited Warranty, the purchaser must first contact 1) InFocus, 2) a service facility authorized by InFocus or 3) the place of original purchase.

InFocus Customer Service – 1-800-799-9911 or techsupport@infocus.com

For Warranty service, the purchaser will be advised to return or deliver the defective Product freight and all fees prepaid, to an InFocus Service Center or to a service facility authorized by InFocus. When returning Product to InFocus, a Return Material Authorization Number (RMA); is required and must be clearly displayed on the outside of the shipping carton or a similar package affording an equal degree of protection. InFocus or the service facility authorized by InFocus will return the repaired/replaced Product freight prepaid to the purchaser.

Products returned for Warranty service must be accompanied by a written letter that: (i) explains the problem; (ii) provides proof of date of purchase; (II) provides the dealer's name; and (I) provides the model and serial number of the Product.

Upon request of InFocus Corporation or an authorized repair center for InFocus, proof of legal import must accompany the warranty repair Product, otherwise the Product must be returned to the place of original purchase, to the manufacturer (Purchaser must bear all tax, duty and freight), or the Purchaser must bear charges for the warranty repair.

No repair or replacement of Product or part thereof shall extend the Limited Warranty period as to the entire Product. Warranty on the repair part and workmanship shall only be effective for a period of ninety (90) days following the repair or replacement of that part or the remaining period of the Product Limited Warranty whichever is greater.

LIMITATION OF LIABILITY

IT IS UNDERSTOOD AND AGREED THAT INFOCUS' LIABILITY WHETHER IN CONTRACT, IN TORT, UNDER ANY WARRANTY, IN NEGLIGENCE OR OTHERWISE SHALL NOT EXCEED THE RETURN OF THE AMOUNT OF THE PURCHASE PRICE PAID BY PURCHASER AND UNDER NO CIRCUMSTANCES SHALL INFOCUS BE LIABLE FOR SPECIAL, INDIRECT, INCIDENTAL OR CONSEQUENTIAL DAMAGES OR LOST PROFITS, LOST REVENUES OR LOST SAVINGS. THE PRICE STATED FOR THE PRODUCTS IS A CONSIDERATION IN LIMITING INFOCUS' LIABILITY.

Limitation on Bringing Action - No action, regardless of form, arising out of the agreement to purchase the Product may be brought by purchaser more than one year after the cause of action has accrued.

Governing Law - Any action, regardless of form, arising out of the agreement to purchase the Product is governed by Oregon law.

Mandatory Arbitration – Any action, regardless of form, arising out of the agreement to purchase the Product is subject to mandatory arbitration.

SOME JURISDICTIONS DO NOT ALLOW THE EXCLUSION OR LIMITATION OF INCIDENTAL OR CONSEQUENTIAL DAMAGES SO THE ABOVE LIMITATION OR EXCLUSION MAY NOT APPLY TO YOU. THIS LIMITED WARRANTY GIVES YOU SPECIFIC LEGAL RIGHTS, AND YOU MAY ALSO HAVE OTHER RIGHTS, DEPENDING ON JURISDICTION.