



# Super Close Projection System SCP716

---

## Operator's Guide





# Contents

---

## Introduction

Thank You for Choosing 3M Equipment.....	5
Important Notice.....	5
Warranty; Limited Remedy; Limited Liability.....	5
What 3M Will Do To Correct Problems:.....	6
Product Patents .....	7
Regulatory Notices .....	7

## Safety Information

Intended Use.....	9
Safety Labels .....	12

## Contents of Shipping Box

Keep Your Packing Materials .....	13
What's Next?.....	13

## Product Description

Machine Characteristics.....	14
Dimensions .....	14
Projector Distance from Screen and Image Size.....	15
Vertical Lens Shift .....	15
Parts Identification.....	16
Projector Terminal Connections .....	16
I/O Module Control Panel (optional accessory).....	17
Top Terminal Panel on I/O Module.....	17
Bottom Terminal Panel on I/O Module .....	18
Remote Control Functions.....	19
Installing Batteries in Remote Control.....	20
Setup and System Configuration .....	20

## Operating Instructions

Projector Start Up.....	21
Stand By Mode .....	21

ENGLISH

**Menu Navigation**

Main Menu..... 22  
Input Menu..... 23  
Picture Menu..... 24  
Advanced Picture Menu ..... 25  
Audio Menu ..... 26  
Setup Menu ..... 27  
Advanced Setup Menu..... 28  
Information Menu ..... 29

**Machine Specifications**

Lamp Replacement ..... 31

**Troubleshooting**

Common Problems and Solutions ..... 32  
Projector Indicator Lights ..... 33  
I/O Module Indicator Lights..... 33

**Replacement Parts and Accessories**

Replacement Parts..... 34  
Optional Accessories (not shown) ..... 34

# Introduction

## Thank You for Choosing 3M Equipment

This product has been produced in accordance with 3M's quality and safety standards to provide smooth and trouble free use in the years to come. For optimum performance, please follow the operating instructions carefully. We hope you will enjoy using this high performance product in your classroom, meetings, presentations, and training sessions. This product is Class A and can not be sold into the home market.

The 3M logo and 3M are registered trademarks of 3M Company. Vikuiti is a trademark of 3M Company. Digital Light Processing is a trademark or registered trademark of Texas Instruments. All other trademarks or registered trademarks are property of their respective companies.

## Important Notice

All statements, technical information, and recommendations related to 3M's products are based on information believed to be reliable, but the accuracy or completeness is not guaranteed. Before using this product, you must evaluate it and determine if it is suitable for your intended application. You assume all risks and liability associated with such use. Any statements related to the product which are not contained in 3M's current publications, or any contrary statements contained on your purchase order shall have no force or effect unless expressly set forth in a written agreement signed by an authorized officer of 3M.

## Warranty; Limited Remedy; Limited Liability

- The 3M SCP700 Series projector (the "3M Product") is warranted to be free from defects in material or manufacture for a period of three (3) years from the date of purchase or 4,000 hours of usage, whichever occurs first.
- All other accessories of the 3M Product (those in the applicable modular configurations), excluding the projector lamps, but including the wall mounts, ceiling mounts, digital annotation sensors, and input/output devices are warranted to be free from defects in material or manufacture for a period of one (1) year from the date of purchase.
- The lamp component of the 3M Product is warranted to be free from defects in material and manufacture for a period of ninety (90) days after the date of purchase of the 3M Product or 180 hours of lamp usage, whichever occurs first. This warranty is for parts only and in the case of an approved warranty claim for a lamp; your exclusive remedy will be for a replacement product shipped to your location.
- Optional product upgrades and/or accessories that are not sold as part of any modular configuration are subject to individual warranties.

THE WARRANTIES STATED ABOVE ARE EXCLUSIVE AND ARE MADE IN PLACE OF ANY AND ALL WARRANTIES, EXPRESS OR IMPLIED WARRANTIES OR CONDITIONS, INCLUDING ANY IMPLIED WARRANTY OF MERCHANTABILITY OR FITNESS FOR A PARTICULAR PURPOSE, OR ANY INDUSTRY PRACTICE OR CUSTOM OR TRADE USAGE.

In the event the 3M Product fails to conform to the above stated warranties within the applicable warranty period, your exclusive remedy shall be, at 3M's option, to replace or repair the 3M Product or to refund the purchase price of the 3M Product. All replaced parts or products become property of 3M. If the product is repaired, 3M will repair the defective part(s) with a new or used part(s). If the 3M Product is replaced, 3M will replace the 3M Product with the same or equivalent model and with a new or refurbished 3M Product. In the case of an approved warranty claim, the replacement 3M Product will carry only the remaining term of the original 3M Product's warranty period as stated above. **For warranty service, you must provide proof of the date of the original purchase else the manufacturing code date will be used to establish the start date of the warranty.**

The following are exclusions to the above listed warranty:

This warranty does not cover 3M Product that is modified or damaged through improper storage, misuse, abuse, accident, vandalism, improper installation, neglect, improper shipping, damage caused by acts of war, disasters such as fire, flood, and lightning, improper electrical current, software problems, interaction with non-3M products, or service other than by a 3M Authorized Service Provider, neglect or mishandling by any person. Normal wear and tear is not covered under warranty.

The 3M Product is designed to operate in the typical indoor environment. This warranty does not cover 3M Product used outside of the following circumstances:

- 100V-240V AC, 50/60 Hz
- 10° to 35° C (50° to 95° F)
- 10–80% RH (without condensation)
- 0–2286m (0–7500 feet) above sea level

The Air Intake and Exhaust Vent must be clear of obstructions, including any potential blockage or obstructions caused from a ceiling or other mount. Inadequate air ventilation may cause the 3M Product to malfunction or may cause damage to the 3M Product which will void the warranty.

This warranty does not cover any additional costs including, but not limited to, those associated with removal, cleaning or installation of the 3M Product, adjustments, (mechanical or electronic) made to the 3M Product or replacing customer replaceable parts like lamps. This warranty covers only normal use of the product. 24-hour-per-day or other excessive continual use is not considered normal use. This warranty does not cover consumables (e.g., fuses), other than lamps and only as set forth below. This warranty is not transferable.

3M is not responsible for warranty service should the 3M label or logo or the rating label or serial number be removed unless otherwise stated in writing for the purpose of private labeling for partnership requirements.

This warranty does not cover postage, insurance, or shipping costs incurred in presenting your 3M Product for warranty service. Said costs are the customer's responsibility. If a claimed defect cannot be identified or reproduced in service, the customer may be held responsible for cost incurred. Should your warranty upgrade include a "change out" service and the claimed defect cannot be identified or reproduced by the technician, the customer will be responsible for call out costs.

**FAILURE TO FOLLOW THE INSTRUCTIONS CONTAINED IN THE APPROPRIATE 3M PRODUCT MANUAL OR FAILURE TO USE THE 3M PRODUCT IN ACCORDANCE WITH 3M'S INTENDED USE STATEMENT, WILL VOID ALL WARRANTIES AND LIMITED REMEDIES. EXCEPT AS SPECIFICALLY STATED IN THE APPLICABLE 3M PRODUCT MANUAL, 3M SHALL NOT BE LIABLE FOR ANY INDIRECT, INCIDENTAL, SPECIAL OR CONSEQUENTIAL DAMAGES (INCLUDING, BUT NOT LIMITED TO, LOSS OF PROFITS, REVENUE OR BUSINESS) RESULTING FROM, OR IN ANY WAY RELATED TO PERFORMANCE, USE OR INABILITY TO USE ANY OF THE 3M PRODUCT. This limitation applies regardless of the legal theory upon which damages are sought.**

For warranty support, please call or write your local 3M office or a 3M Authorized Service Provider to obtain RMA # (Return Material Authorization Number) before returning the product. If you are inside the continental United States of America, please contact 3M Customer Service at 800-328-1371 or email [meetings@mmm.com](mailto:meetings@mmm.com).

### **What 3M Will Do To Correct Problems:**

- If your 3M Product requires service, 3M will ask you to bring or send the 3M Product, securely packaged in its original container or equivalent, along with proof of the date of original purchase, to your 3M Service Dealer or 3M Service Center.
- 3M will, at its option, repair or replace the defective unit without charge for parts or labor. Return of the 3M Product will be at 3M's expense.

- When warranty service involves the exchange of the 3M Product or of a part, the item replaced becomes 3M property.
- The exchanged 3M Product or part may be new or previously refurbished to the 3M standard of quality, and at 3M's option, the replacement may be another model of like kind and quality.
- 3M's liability for replacement of the warranted 3M Product or part will not exceed the original retail selling price of the 3M Product. Exchange or replacement products or parts assume the remaining warranty period of the product covered by this limited warranty. However, each replacement lamp carries the limited 90-day warranty stated above.

## Product Patents

This product is covered by one or more of the following patents:

U.S. Patent Number D555,184

U.S. Patent Number 7,123,426

U.S. Patent Number 7,126,767

U.S. Patent Number 7,271,964

## Regulatory Notices

**EEC STATEMENT:** This machine was tested against the 89/336/EEC (European Economic Community) for EMC (Electro Magnetic Compatibility) and fulfills these requirements.

Video signal cables: Only use cables delivered by the manufacturer.

**FCC STATEMENT - CLASS A:** This device complies with Part 15 of the FCC Rules. Operation is subject to the following two conditions:

- (1) this device may not cause harmful interference, and
- (2) this device must accept any interference received, including interference that may cause undesired operation.

**Instructions to Users:** This equipment has been tested and found to comply with the limits for a Class A digital device, pursuant to Part 15 of the FCC Rules. These limits are designed to provide a reasonable protection against harmful interference when the equipment is operated in a commercial environment. This equipment generates, uses, and can radiate radio frequency energy and, if not installed and used in accordance with the instruction manual, may cause harmful interference to radio communications.

Operation of this equipment in a residential area is likely to cause harmful interference in which case the user will be required to correct the interference at his own expense.

**Notice:** This Class A digital apparatus meets all requirements of the Canadian Interference-Causing Equipment Regulations.

Cet appareil numérique de la classe A respecte toutes les exigences du Règlement sur le matériel brouilleur du Canada.

**Instructions to Users:** This equipment complies with the requirements of FCC equipment provided that the following conditions are met. The cables may have to be used with the core set to the projector side. Use the cables which are included with the projector or specified.

**Note:** Changes or modifications not expressly approved by the party responsible for compliance could void the user's authority to operate the equipment.

## CE STATEMENT

**Electromagnetic Compatibility Statement:** Meets 2004/108/EC Directive

**Low Voltage Directive:** Meets 2006-95-EC Directive.

**WEEE STATEMENT:** The following information is only for EU-members States: The mark shown to the right is in compliance with Waste Electrical and Electronic Equipment Directive 2002/96/EC (WEEE). The mark indicates the requirement NOT to dispose the equipment as unsorted municipal waste, but use the return and collection systems according to local law.



**RoHS STATEMENT:** 3M Projection Systems can provide RoHS certification for products meeting the RoHS directive.<sup>1</sup>

European (EU) Restriction of Hazardous Substances (RoHS) Directive, 2002/95/EC.

<sup>1</sup> RoHS compliant means that the product or part does not contain any of the substances in excess of the following maximum concentration values in any homogeneous material, unless the substance is in an application that is exempt under RoHS, as amended:(a) 0.1% (by weight) for lead, mercury, hexavalent chromium, polybrominated biphenyls or polybrominated diphenyl ethers; or (b) 0.01% (by weight) for cadmium. This information represents 3M's knowledge and belief, which may be based on information provided by third party suppliers to 3M.



# Safety Information

Please read, understand, and follow all safety information contained in these instructions prior to the use of this projector. Retain these instructions for future reference.

## Intended Use

Before operating the machine, please read the entire manual thoroughly. This product was designed, built and tested for use indoors, using 3M lamps and hardware. The use of other replacement lamps, outdoor operation or different voltages has not been tested and could damage the projector or peripheral equipment and/or create a potentially unsafe operating condition.

This projector is designed to operate in a normal office/classroom environment.

- 10° to 35°C (41° to 95°F)
- 10–80% RH (without condensation)
- 0–2286m (0–7500 feet) above sea level

The ambient operating environment should be free of airborne smoke, grease, oil and other contaminants that can affect the operation or performance of the projector.

Use of this product in adverse conditions will void the product warranty.

### Explanation of Signal Words and Symbols in Safety Labels and Instructions

**WARNING:** Indicates a potentially hazardous situation, which if not avoided, could result in death or serious injury and/or property damage.

**CAUTION:** Indicates a potentially hazardous situation, which if not avoided, may result in minor or moderate injury and/or property damage.



**Warning:** Hazardous Voltage



**Warning:** Hot Surface – High Temperature Lamp



**Warning:** High Pressure



**Attention:** Read Accompanying Documentation

**⚠ WARNING****To reduce the risk associated with hazardous voltage:**

- Do not operate this projector in wet environments or outdoors.
- Do not modify this projector or power cord.
- Do not remove any screws other than those specified in the lamp replacement instructions.
- Do not attempt to service the projector other than the lamp cartridge. There are no user serviceable parts inside the projector.
- Contact a 3M authorized service provider for service.
- Disconnect power cord when the projector is not in use for extended periods of time, during lamp replacement, and while cleaning.
- Do not allow water or other liquids to enter the projector.

**To reduce the risk associated with hazardous voltage and/or fire:**

- Replace power cord if damaged.
- Contact a 3M authorized service provider if the projector becomes damaged.
- Use a grounded extension cord with a rating at least equal to that of the projector.
- Connect this projector to a grounded outlet.

**To reduce the risk associated with choking:**

- Keep the battery and battery cover away from children and pets.

**To reduce the risk associated with lamp rupture related hazards:**

- In event of lamp rupture, call 3M authorized service provider for repair. Ruptured lamp repair is not user serviceable.
- Wash your hands thoroughly if contact with ruptured lamp debris has taken place.
- Ventilate the area where the lamp rupture occurs. The lamp operates at high temperature.

**To reduce the risk associated with hazardous voltage, impact, tripping, or intense visible light:**

- Do not use this projector around unsupervised children.

**To reduce the risk associated with sharp objects, premature lamp failure, exposure to mercury:**

- Always handle the fragile lamp module with care.
- Replace the lamp module when the lamp replacement message appears.
- Never replace the lamp module with a previously used lamp module.
- Remove the projector from the ceiling or wall mount before replacing the lamp.

**⚠ CAUTION****To reduce the risk associated with intense visible light:**

- Avoid looking directly into the projector lens while the lamp is on.

**To reduce the risk associated with impact of a falling projector:**

- Use only the 3M brand wall/ceiling mounting hardware kit if wall or ceiling mounting is desired.
- Installation of the 3M brand wall/ceiling kit must only be performed by qualified personnel.
- Adhere strictly to the proper installation procedure as outlined in the installation instructions when installing the 3M Wall/Ceiling kit.
- Always operate the unit on a flat and sturdy surface.

**To reduce the risk associated with explosion, and/or chemicals from leaking battery:**

- Use only with battery type AAA.
- Orient the battery's plus (+) and minus (-) terminals according to the markings found on the remote control.
- Do not leave the battery in the remote for an extended period of time.
- Do not heat, disassemble, short, recharge, or expose the batteries to fire or high temperature.
- Do not carry batteries loose in your pocket or purse.
- Avoid eye and skin contact in the event that battery would leak.
- Do not mix used and new batteries.

**To reduce the risk associated with tripping, and/or impact:**

- Position the power cord and cables so that they can not be tripped over.

**To reduce the risk associated with environmental contamination:**

- Dispose of mercury lamp, exhausted batteries, and other electronic components in accordance with applicable federal, state and local regulations.

**To reduce the risk associated with hot surface of lamp cartridge:**

- Before replacing the lamp, allow the lamp to cool for 60 minutes and then unplug the projector from the electrical outlet.

**To reduce the risk associated with environmental contamination due to mercury:**

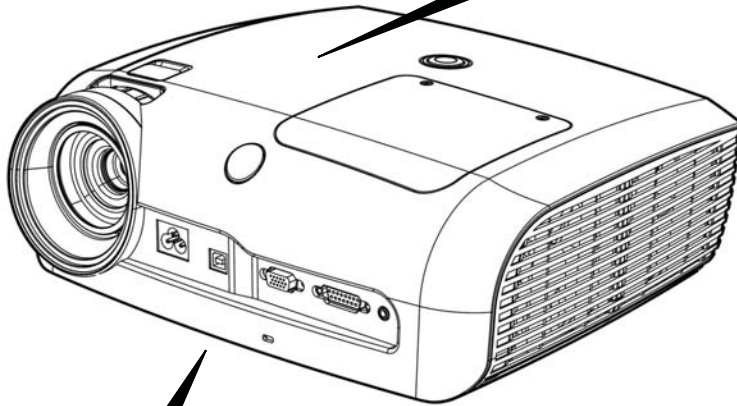
- Hg: Lamp contains mercury. Don't throw in trash. Dispose according to local, state, or federal laws. See [www.lamprecycle.org](http://www.lamprecycle.org) or call 1-800-328-1371.

**SAVE THESE INSTRUCTIONS**

Safety Labels

The following safety labels are used on this product.

ENGLISH



 
<p><b>Warning:</b> Read Manual Before replacing Lamp.</p> <p><b>ADVERTENCIA:</b> Lea el manual antes de cambiar la lámpara.</p> <p><b>AVIS:</b> Lire le manuel avant de remplacer la lampe.</p> <p><b>WARNUNG:</b> Lesen Sie im Handbuch nach, bevor Sie die Lampe ersetzen.</p> <p><b>AVVERTENZA:</b> Leggere il manuale prima di sostituire la lampada.</p> <p>警告: ランプを交換する前に説明書を読んでください。</p> <p>警告: 在更換投影灯之前, 請閱讀产品手冊。</p> <p>警告: 更換投影燈之前, 請閱讀產品手冊。</p> <p>경고: 램프를 교체하기 전에 매뉴얼을 읽으십시오.</p>

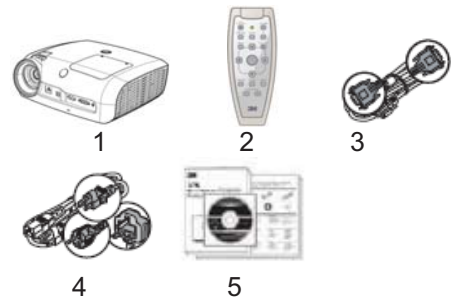
  	
<p><b>WARNING:</b></p> <ul style="list-style-type: none"> <li>BEFORE OPERATING, PLEASE READ OWNER'S MANUAL.</li> <li>DO NOT REMOVE SCREWS EXCEPT LAMP COVER SCREWS.</li> <li>DO NOT BLOCK VENTING OPENINGS.</li> </ul> <p><b>AVIS:</b></p> <ul style="list-style-type: none"> <li>VEUILLEZ LIRE LE MODE D'EMPLOI AVANT L'USAGE.</li> <li>NE PAS RETIRER LES VIS A L'EXCEPTION DES VIS DU COUVERCLE DE LAMPE.</li> <li>NE BOUCHEZ PAS LES ORIFICES DE VENTILATION.</li> </ul> <p><b>WARNUNG:</b></p> <ul style="list-style-type: none"> <li>VOR DEM EINSATZ DIE BEDIENUNGSANLEITUNG LESEN.</li> <li>KEINE SCHRAUBEN AUSSER DEN LAMPENDECKELSCHRAUBEN ENTFERNEN.</li> <li>LUFTÜNGSÖFFNUNGEN NICHT BLOCKIEREN.</li> </ul> <p><b>警告:</b></p> <ul style="list-style-type: none"> <li>ご使用になる前に、取扱説明書をお読みください。</li> <li>ランプカバー以外のネジを取り外さないでください。</li> <li>通気孔をふさがらないでください。</li> </ul>	<p><b>LAMP REPLACEMENT CAUTION</b></p> <p>BEFORE REMOVING THE SCREWS, DISCONNECT POWER CABLE. HOT SURFACE INSIDE ALLOW 1 HOUR TO COOL BEFORE REPLACING THE LAMP. HANDLE WITH CARE, RISK OF EXPLOSION. SEE OWNER'S MANUAL.</p> <p><b>PRECAUTIONS LORS DU REMPLACEMENT DE LA LAMPE</b></p> <p>DEBRANCHER LE CABLE D'ALIMENTATION AVANT DE RETIRER LES VIS, L'INTERIEUR DU BOITIER ETANT EXTREMEMENT CHAUD, ATTENDRE 1 HEURE AVANT DE PROCEDER AU REMPLACEMENT DE LA LAMPE. A MANIPULER AVEC PRECAUTION. RISQUE D'EXPLOSION. SE REPORTER AU MODE D'EMPLOI.</p> <p><b>ACHTUNG BEIM LAMPENAUSTAUSCH</b></p> <p>VOR DEM ENTFERNEN DER SCHRAUBEN DAS NETZKABEL ABTRENNEN. HEISSE OBERFLÄCHEN IM INNEREN BENÖTIGEN 1 STUNDE ZUM ABKÜHLEN, BEVOR DIE LAMPE ERSETZT WERDEN KANN. VORSICHT BEIM UMGANG. EXPLOSIONSGEFAHR. SIEHE BEDIENUNGSANLEITUNG.</p> <p><b>ランプ交換の注意</b></p> <p>ランプ交換をおこなう前に、必ず電源プラグをコンセントから抜いてください。内部は高温ですので、1時間以上放置してください。ランプは使用中に、まれに割れる場合があります。ランプ交換の際、ガラスの破片でけがをしないよう注意してください。詳しくは取扱説明書をご覧ください。</p>
<p><b>Hg: LAMP CONTAINS MERCURY. Don't throw in trash. Dispose according to local, state, or federal laws. See <a href="http://www.lamprecycle.org">www.lamprecycle.org</a> or call 1-800-328-1371.</b></p>	

# Contents of Shipping Box

This projector is shipped with the necessary cables required for standard DVD player, PC or laptop computer connections. Carefully unpack and verify that you have all of the items shown below. If any of these items are missing, please contact your place of purchase.

The shipping carton contains the following items illustrated below. If any of these items are missing, please contact your place of purchase.

1. Projector
2. Remote Control Transmitter (AAA batteries included)
3. VGA to VGA cable, 1.8m (15-pin Male)
4. Power cord
5. Operator's Guide CD
6. USB A-B cable, 1.8m (not shown)



## Keep Your Packing Materials

Save the shipping box and packing materials in the event this product should require shipping to a 3M Service Center for repair. Use packing material to protect projector.

## What's Next?

Take a few minutes to review the machine characteristics before you setup and operate the projector. We hope you will enjoy using this high performance product in your classrooms, presentations and training sessions. This product has been produced in accordance with 3M's highest quality and safety standards to provide smooth and trouble-free use in the years to come.

# Product Description

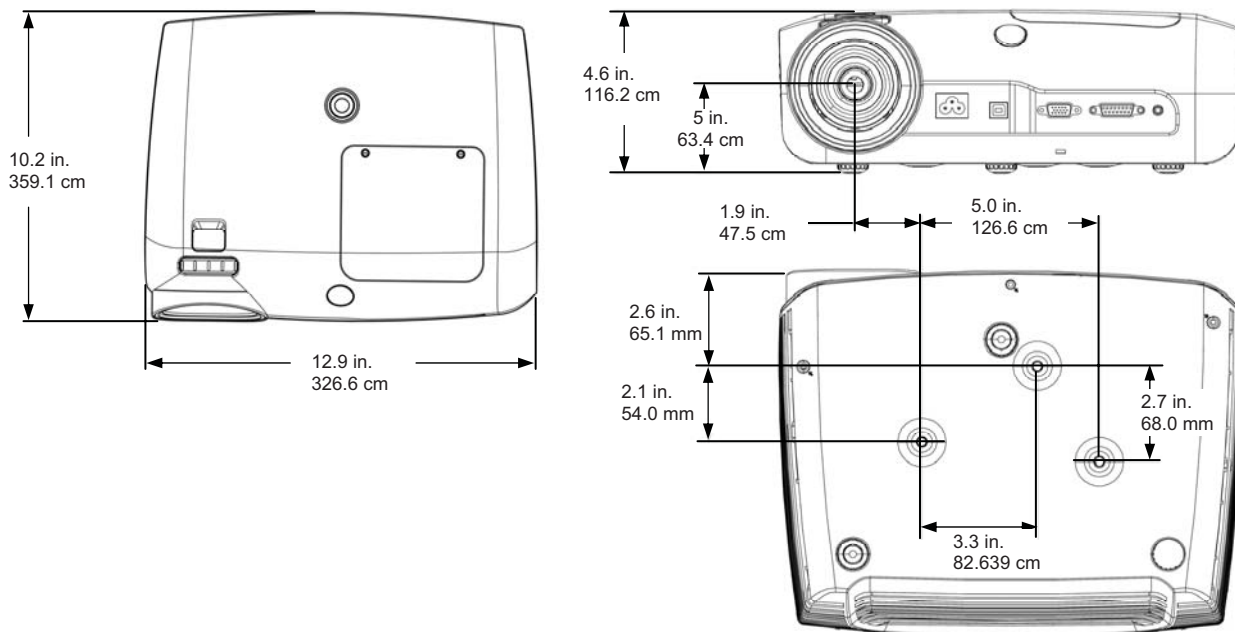
The 3M SCP716 integrates short-arc lamp and Digital Light Processing™ (DLP) technology. It accepts input from computer and/or video sources and projects a bright image through 3M™ Vikuiti™ Super Close Projection technology.

## Machine Characteristics

The 3M SCP716 offers the following features:

- Native Resolution 1024 x 768 XGA
- On-screen menu with 9 languages (English, French, Deutsch, Spanish, Italian, Japanese, Chinese Traditional, Chinese Simplified, Korean)
- Lamp Life of 5000 hours (ECO mode)
- Lamp Life of 2000 hours (Bright mode)
- Brightness: 2000 lumens typical (normal mode)
- Brightness: 2400 lumens typical (bright mode)
- Image size: 50 to 85 inches
- Aspect Ratio: 4:3
- Digital keystone correction
- Security Lock
- RS232 Control capable
- 3M Super Close Projection technology

## Dimensions



## Projector Distance from Screen and Image Size

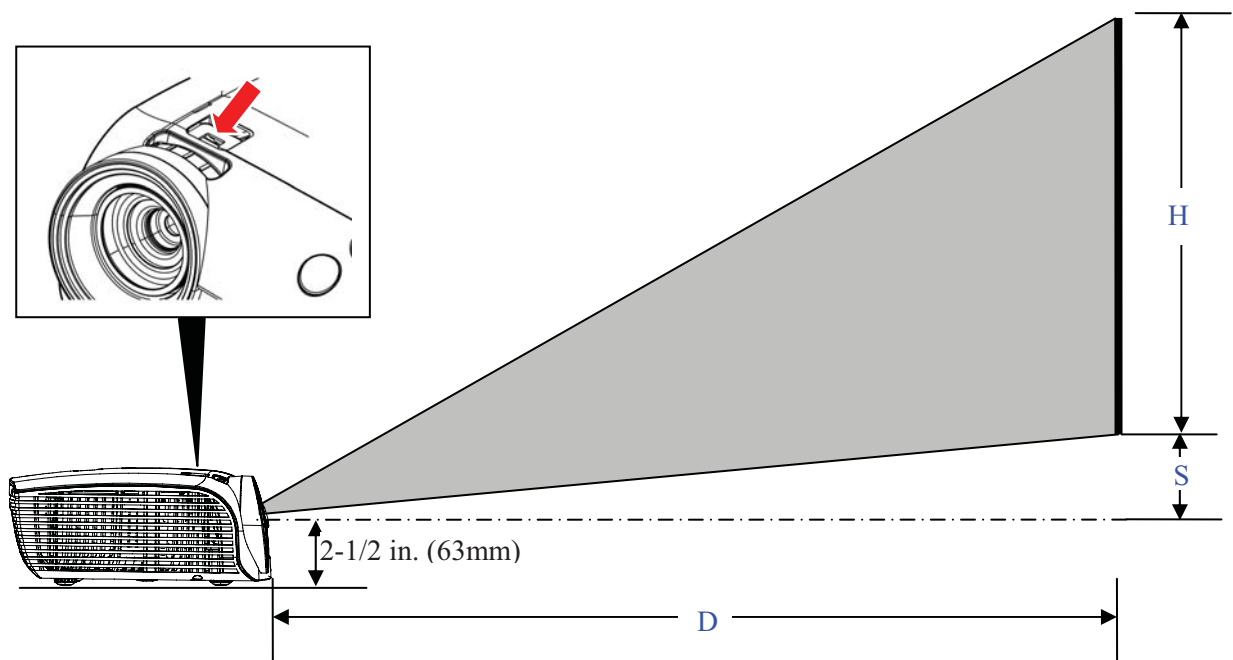
Refer to the chart below for the projector-to-screen distance and corresponding projected image size values.

Image Size			Distance (D)		Offset Min (S)		Offset Max (S)	
Diagonal	Width	Height (H)	in	mm	in	mm	in	mm
50	40	30	24 3/4	629	1 1/4	30	2 3/4	69
60	48	36	29 3/4	755	1 2/4	37	3 1/4	82
70	56	42	34 5/8	880	1 3/4	43	3 3/4	96
75	60	45	37 1/8	943	1 3/4	46	4	103
80	64	48	39 5/8	1006	2	49	4 1/4	110
85	68	51	42 1/8	1069	2	52	4 2/4	117

### Vertical Lens Shift

The lens-shift feature will vertically offset the picture from 1 1/4 in. (30 mm) up to 4 1/2 in. (117 mm) depending on the projector-to-screen distance and size of the projected image. This adjustment is typically used with wall mount applications as a fine-adjustment to the vertical position of the projected image. Turn the adjustment screw to vertically raise or lower the physical position of the lens. Refer to the chart above for the offset values.

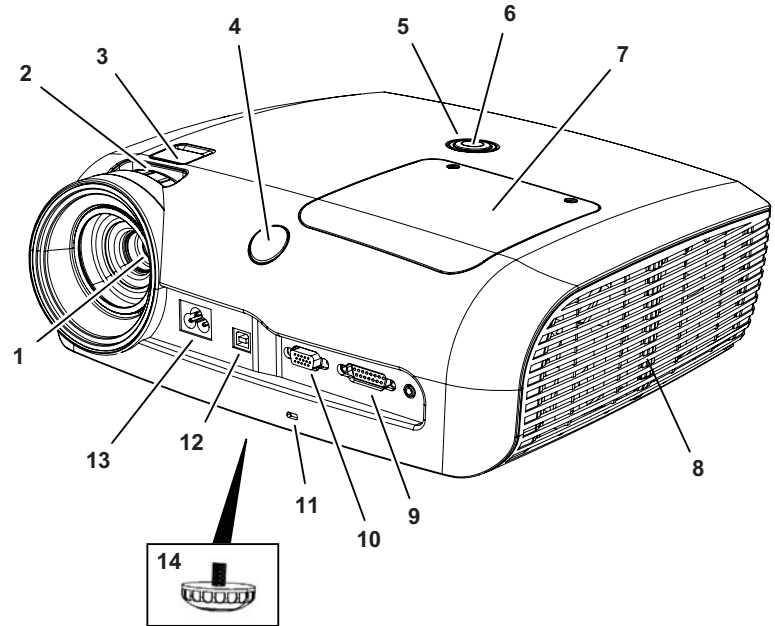
*Note: The Lens-Shift adjustment screw does not adjust or change any keystone properties.*



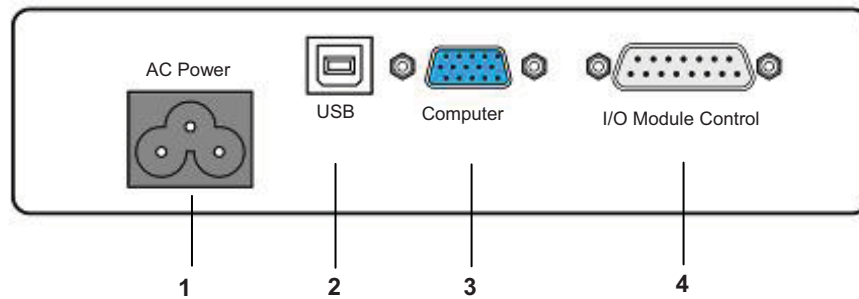
ENGLISH

### Parts Identification

1. Super Close Projection Lens
2. Focus Adjustment
3. Lens-shift
4. Remote Control IR Sensor
5. Status Indicator Light
6. Standby/On Button
7. Lamp Cover
8. Ventilation Slots
9. Control Input
10. Computer/Component Input
11. Slot for Kensington™ Lock
12. USB Port (For remote mouse functionality)
13. AC Power Cord Connection
14. Height Adjustment Foot



### Projector Terminal Connections

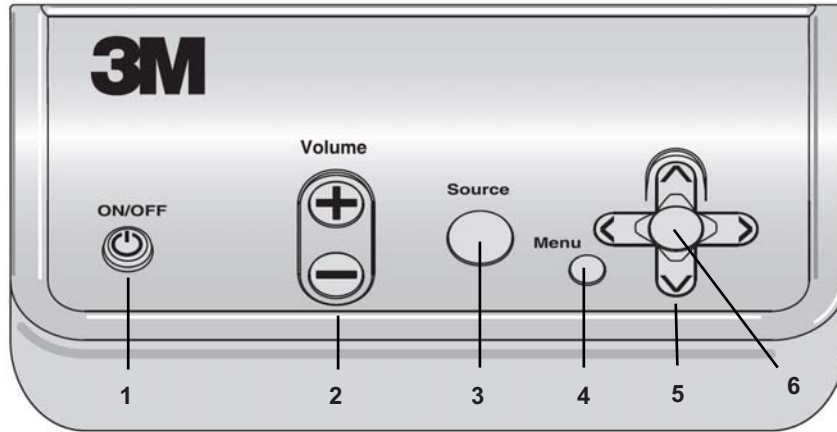


#	Projector Panel	Function
1	A/C Power	Connect AC power cord to projector.
2	USB	Connect projector USB (B-type) to computer USB port to control computer pointer with remote control.
3	COMPUTER	Input VIDEO signal from a computer source.
4	I/O Module Control	Connect projector control port to computer serial port with RS232 adapter or the 3M I/O Module and control the projector.



### I/O Module Control Panel (optional accessory)

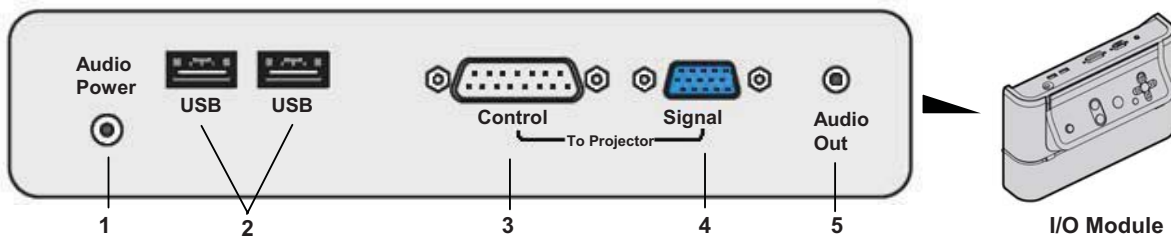
If your projector has the optional I/O Module installed, the projector functions can be operated from the I/O Module Control Panel.



#	I/O Module Control Panel	Function
1	ON/OFF	Turns the projector on and off
2	Volume +/-	Increases (+) or decreases (-) audio level
3	Source	Switches the displayed input source. Switching order: Computer 1 => Computer 2 => S-Video => Video
4	Menu	Displays the projector's menu system.
5	Arrow Buttons	Navigate up/down or left/right through projector's Menu system.
6	ENTER (Center of Arrow buttons)	Select menu item and confirm menu selections

### Top Terminal Panel on I/O Module

Use the Top Terminal Panel to connect the projector to the I/O Module box.

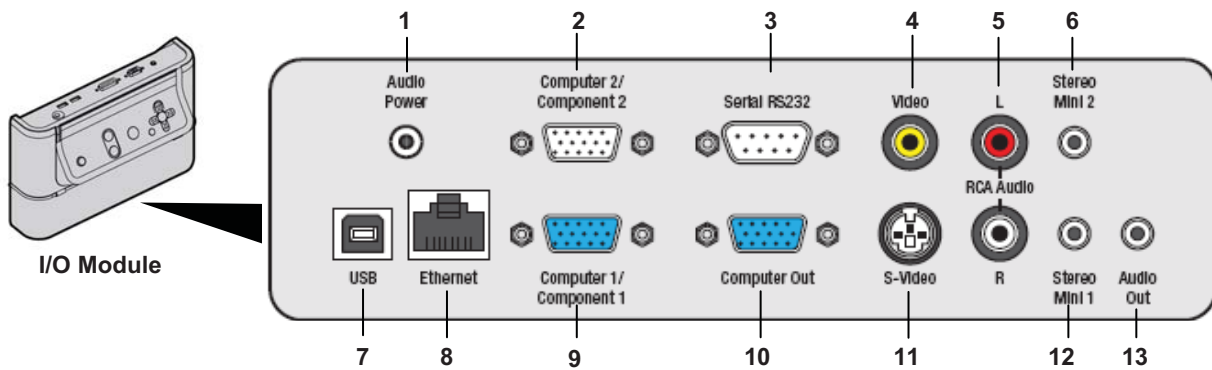


#	Top Terminal Panel	Function
1	Audio Power	Relay Audio power (from bottom terminal) through to speaker amplifier.
2	USB (Hub)	Connect two USB devices (like the projector's remote mouse) to a single USB port on computer connected to the I/O Module's bottom terminal panel.
3	CONTROL	Connect IO/Module to projector I/O Module CONTROL terminal.
4	Signal	Connect I/O Module to projector COMPUTER port.
5	Audio Out	Connect IO/Module to external speakers or speakers in 3M Folding Wall Mount FWMSV2.

ENGLISH

### Bottom Terminal Panel on I/O Module

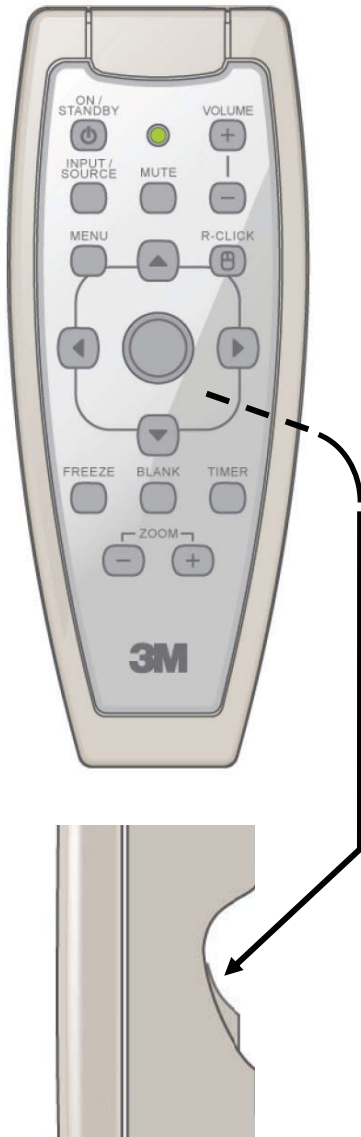
Use the Bottom Terminal Panel to connect the I/O Module box to the Computer/Video source.



#	Bottom Terminal Panel	Function
1	Audio Power	Supplies power to 3M Folding Wall Mount speakers from the power supply included with the 3M Folding Wall Mount.
2	Computer2/Component2	Input for computer or component video device.
3	Serial RS-232	Passes control commands from a computer or control system to the projector.
4	Video	Input for composite video devices.
5	RCA Input R/L	Right and Left Channel Audio Input.
6	Stereo Mini 2	Stereo Audio input for Computer2.
7	USB	Connects the two devices connected to the top terminal panel USB ports to a computer.
8	Ethernet	Allow access to the projector control webpage and control command over a network remote monitoring & control.
9	Computer1/ Component1	Input for computer or component video device.
10	Computer Out	Output the signal from the Computer 1 port.
11	S-Video	Video device input for S-video
12	Stereo Mini 1	Stereo Audio input
13	Audio Out	Connects selected audio input to active speakers or audio amplifier.

### Remote Control Functions

Aim the remote control toward the projection screen or at the IR sensor on the front of the projector. Press desired remote control button to send a signal to the projector.



Trigger button is bottom of remote

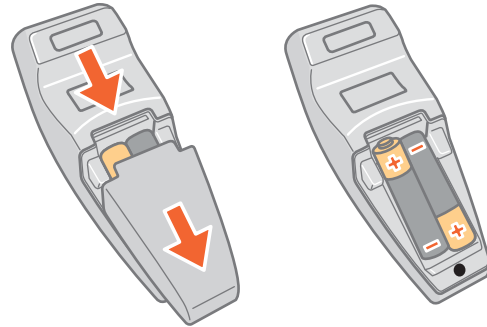
ON/STANDBY	<p>ON: Press to turn projector ON.</p> <p>OFF: Press to display confirmation message, press again to switch projector to Standby mode.</p> <p><b>Note: The confirmation message displays to ensure unit does not get turned off accidentally.</b></p>
INPUT/ SOURCE	<p>Press for current input source. Press again to select different computer/video input.</p> <p>[Computer 1/Componet 1 -&gt; Computer 2/Componet 2 -&gt; RCA Composite Video -&gt; S-Video]</p>
Volume +:	Press to increase speaker volume.
Volume -:	Press to decrease speaker volume.
Mute:	Press to switch the audio sound ON or OFF.
Menu:	Press to display the Main Menu. When a menu is open, press to exit menu.
R/Click	Performs remote Right Mouse click function (when USB is connected to projector USB).
Up Arrow	Moves cursor upward through menu items.
Down Arrow	Moves cursor downward through menu items.
Left Arrow	Moves cursor left through menu items. Moves .ppt slides backwards.
Right Arrow	Moves cursor to right through menu items. Moves .ppt slides forward.
Mouse Pad	Allows remote mouse functions. Allows Pan function when in Zoom mode.
Blank:	Press to replace projected image with black image. Press again to return projection image.
Freeze:	Press to freeze current image. Press again to return to active image.
Timer:	Press to initiate a 10:00 minute digital timer. Press up/down arrows to change timer clock by 1 minute intervals up to 99:00.
Zoom +:	Press and hold to increase the size of the displayed image up to 200 percent.
Zoom -:	Press and hold to decrease size of the displayed image down to 100 percent
Bottom Trigger	Pull trigger for remote LEFT mouse button functions. In menu mode, use for remote Enter / Select functions.

ENGLISH

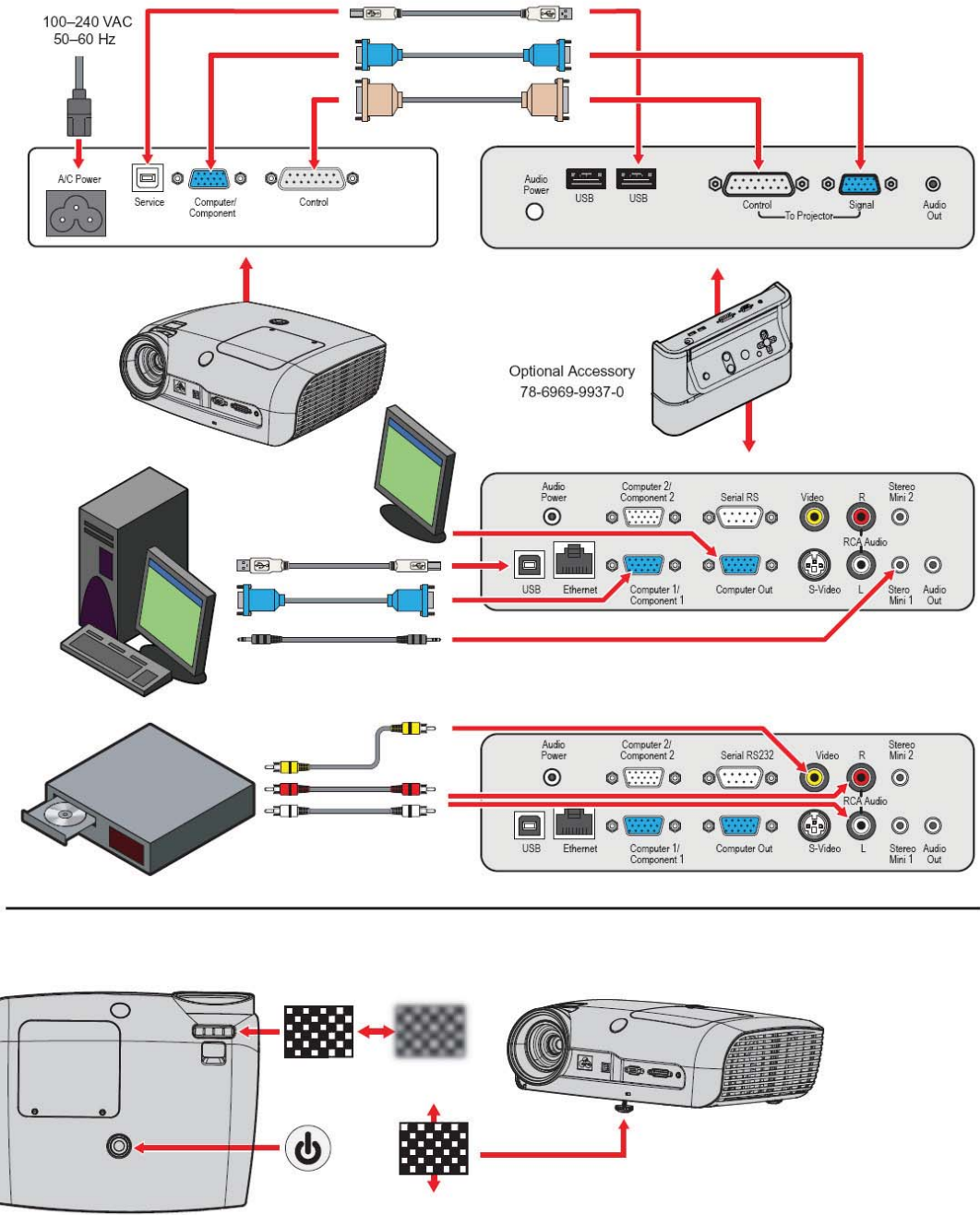
### Installing Batteries in Remote Control

1. Push down on cover to unlatch it. Slide cover off.
2. Install new AAA batteries with the correct polarities.
3. Reinstall battery cover.

*Note: Verify the battery cover is fully latched before using the remote control.*



### Setup and System Configuration



# Operating Instructions

## Projector Start Up

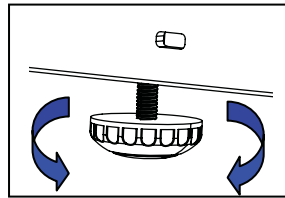
Read the Important Safeguards before operating the SCP716. After all cable connections have been completed, refer to Setup and Configuration, the projector can be powered up.

For best results, please observe the following start up sequence.

1. Power ON all of the connected equipment.
2. Plug the supplied power cord into the AC inlet of the projector.
3. Press the On/Standby button on the projector or remote control. The lamp will turn on and an image will appear and grow brighter on the screen.
4. If the security feature is activated, enter the 4-digit PIN code.
  - a. Press the left/right arrow to move the cursor through each PIN field.
  - b. Press the up/down arrows to change the value in each field.
  - c. Press the Trigger button on the remote to enter the PIN access code.
5. Check all ventilation slots and clear away any obstructions.
6. Extend or retract front adjustment foot to obtain best image height.



**Note:** Rotate foot for fine adjustment.



7. Turn the focus adjustment (top of projector) to obtain the best image sharpness.

## Stand By Mode

When an image is not being projected, place the unit into standby mode.

1. Press the On/Standby button on the Remote Control or the On/Off button on the I/O Box. When the message "Press the power button to turn the unit off" displays, press the On/Standby button again.
2. The lamp will switch off and the power button will first turn red indicating the unit is in lockout and then after 90 seconds the button turns amber to indicate the unit is in standby mode.

**Note:** In standby mode, the cooling fans will continue to run for 5 minutes and then turn off.

# Menu Navigation

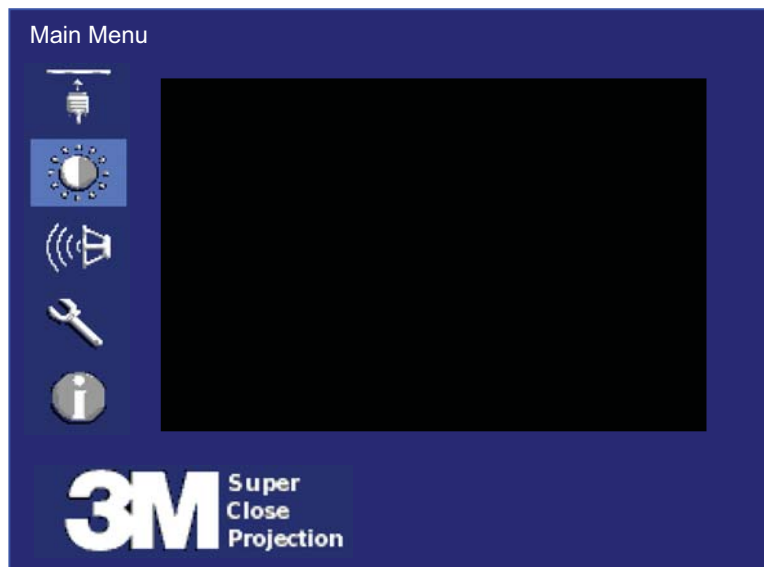
To display the on screen menus, press the MENU button on the remote control or I/O Module. Use the remote control Up/Down ARROW buttons to select the desired menu (see table below), then pull the TRIGGER button (bottom of remote control) to display it.

Use the remote control ARROW buttons within a submenu to select the various options displayed on the screen, then pull the TRIGGER button to initiate that option or setting.

To exit an on-screen submenu, press the MENU button.

## Main Menu

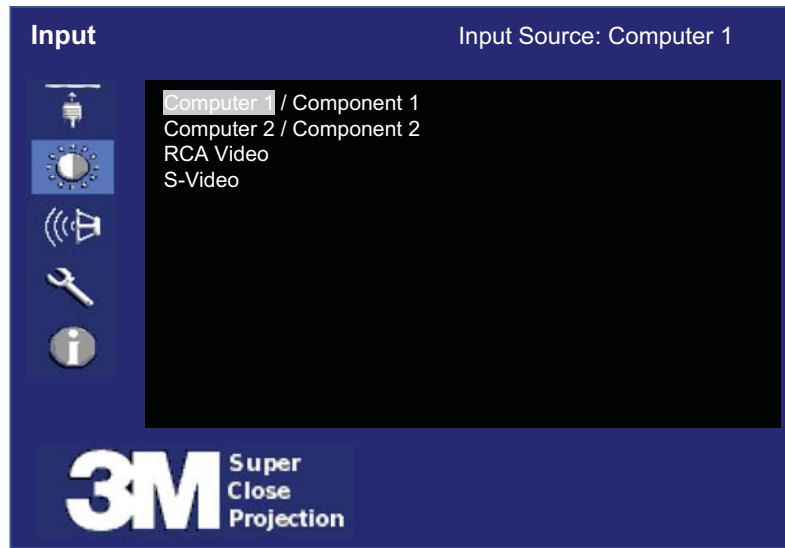
The main menu is the first system menu to display when the MENU button is pressed. Click on the menu icons to display the desired submenu.



Menu Icon	Menu Description
	<b>Input Menu</b> – Select the desired computer or video input source.
	<b>Picture Menu</b> – Adjust the following picture features: mode, brightness, contrast, color intensity, tint, sharpness, video noise reduction, aspect ratio, and menu reset. Note: Displays only when input source is connected.
 Advanced	<b>Advanced Picture Menu</b> – Adjust the following settings for the detected signal source: over scan, brightness/color, horizontal position, vertical position, frequency, phase, & menu reset.
	<b>Audio Menu</b> – Adjust the following audio settings: volume, mute, audio input (stereo mini-1, stereo mini-2, RCA), menu reset.
	<b>Setup Menu</b> – Select or adjust the following settings: menu languages, auto shutoff timer, keystone, lamp hours, lamp mode, fan mode, projection mode, factory reset, PIN code and menu reset.
	<b>Information Menu</b> – Display the current system information: input resolution, H/V frequency, lamp hours, system hours, IP address/net mask/gateway for I/O module Ethernet interface, user revision.

## Input Menu

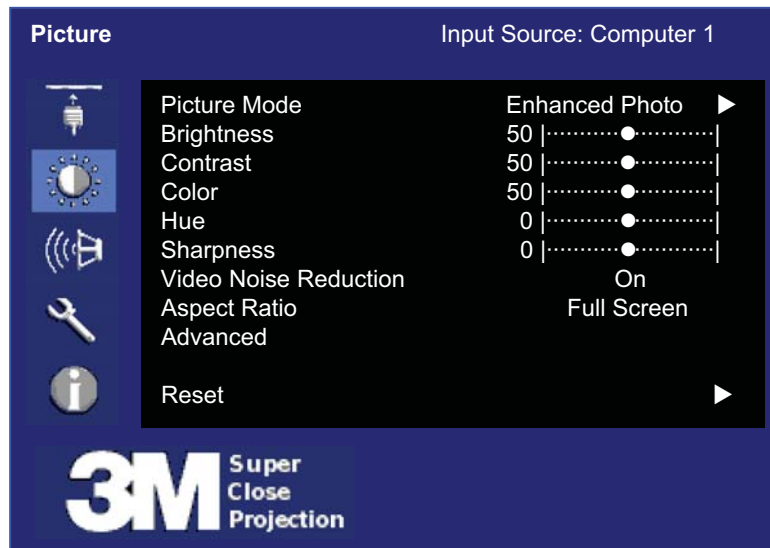
The Input Menu, shown below, is used to select the desired computer or video input source to be displayed on the projector.



Feature	Description
Main Input	Select the Input source to be displayed on the projector.
	1. Computer 1 / Component 2 [Computer 1 = default]
	2. Computer 2 / Component 2 [Displays only when I/O module is connected]
	3. RCA Video (Composite video)
	4. S-Video

## Picture Menu

The Picture Menu, shown below, is used to adjust the picture settings to display the best possible image.



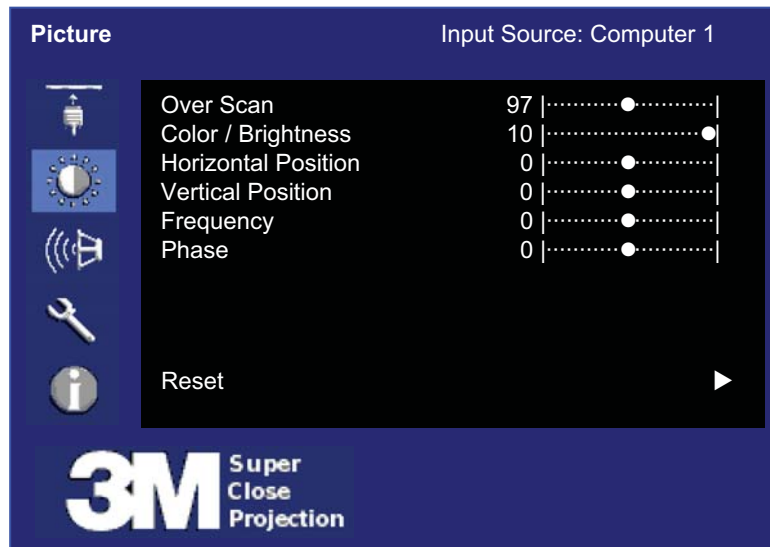
Feature	Description	Range	Default
Picture Mode	Select the best mode to optimize the projector image. 1. Max Brightness 2. Enhanced Photo 3. Photo 4. Enhanced	N/A	VGA-Max Brightness Video-Enhanced Photo
Brightness	Adjust brightness (low to high) of displayed image	0–100	50
Contrast	Adjust the contrast (dark to light) in the displayed image	0–100	50
Color * (see note)	Adjust the intensity of color in the displayed image	0–100	50
Hue * (see note)	Adjust the balance of red (-) to green (+) for video signals.	-15–+15	0
Sharpness	Adjust the displayed image to look sharper or softer	-15–+15	0
Video Noise Reduction	Turn noise reduction ON or OFF	N/A	Off
Aspect Ratio	Set aspect ratio to: [Full Screen or 16:9 or Native]	N/A	Full Screen
Advanced	Navigate to the Advanced picture setting menu. This option is for Computer/Component input and only displays when the I/O Module is connected.	N/A	N/A
Reset	Reset values in this menu only	N/A	N/A

\* Note: Tint/Hue can only be adjusted for S-Video and RCA video input signals



## Advanced Picture Menu

The Picture Menu with the Advanced option selected, shown below, is used to adjust the projected image for Computer and Component inputs only.

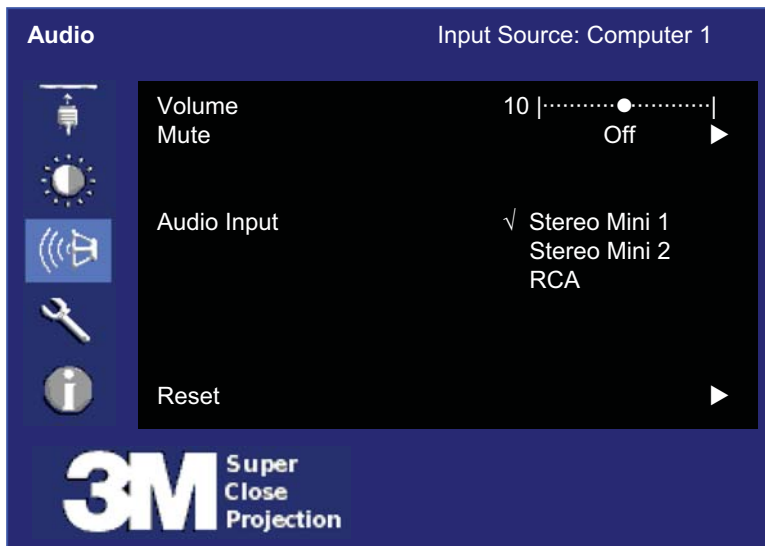


Feature	Description	Range	Default
Over Scan	Adjust cropping of image boundaries from 90th to 100th percentile (increments of 1 percent).	90–100	Video = 97 VGA = 100
Brightness / Color	Adjust the white peaking value of the DMD. (0 = lowest white peaking value, 10 = highest value)	0–10	Computer = 10 Video = 3
Horizontal Position	Adjust horizontal position of projected image. (Only for Computer 1 or Computer 2 input source)	N/A	0
Vertical Position	Adjust vertical position of projected image. (Only for Computer 1 or Computer 2 input source)	N/A	0
Frequency	Adjust the horizontal width of the projected image. (Only for Computer 1 or Computer 2 input source)	-50+50	0
Phase	Adjust clock phase to reduce image distortion. (Only for Computer 1 or Computer 2 input source)	-15+15	0
Reset	Reset values in this menu only	N/A	N/A

### Audio Menu

*(Menu displays only if I/O Module is connected)*

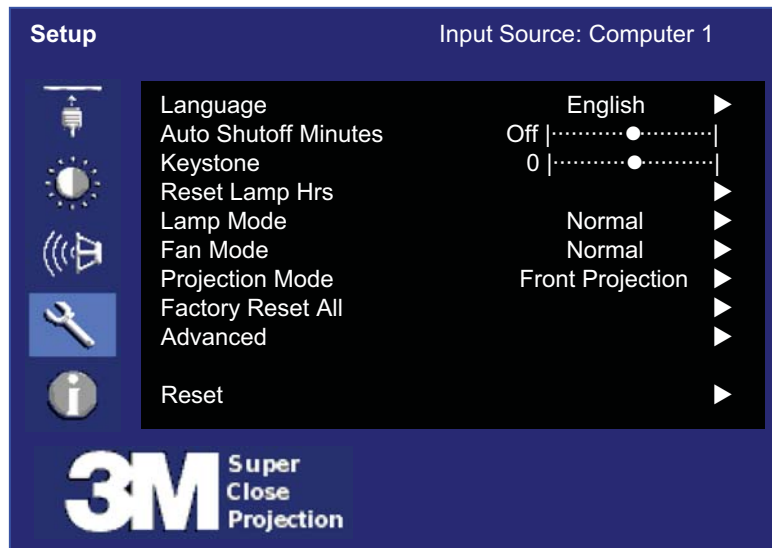
The Audio Menu, shown below, is used to adjust the audio settings and select the audio input source to play through the projector.



Feature	Description	Range	Default
Volume	Adjust volume level (0 = muted, 20 = full volume)	0–20	10
Mute	Turn mute mode ON and OFF	N/A	OFF
Audio Input	Select the audio input source to process. Stereo Mini 1 – VGA/Component Stereo Mini 2 – VGA2/Component RCA – S-Video/Component	N/A	PC
Reset	Reset values in this menu only	N/A	N/A

## Setup Menu

The Setup Menu, shown below, is used to configure the basic projector operating parameters.

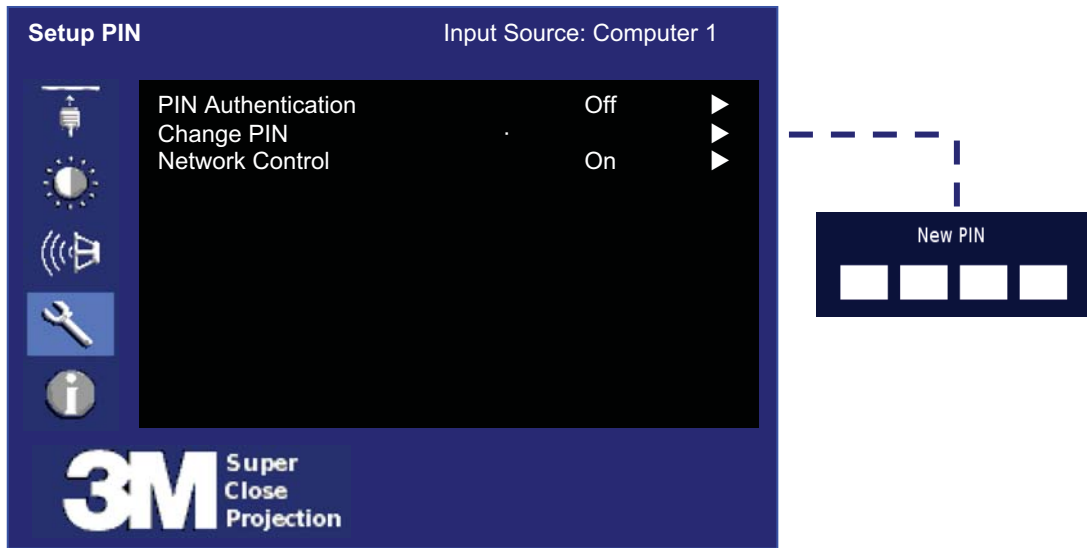


Feature	Description	Range	Default
Language	Select the language for menu displays [1-English, 2-French, 3-Spanish, 4-Deutsch, 5-Italian, 6-Japanese, 7-Mandarin Traditional, 8-Mandarin Simplified, 9-Korean]	N/A	English
Auto Shutoff	Set the number of idle minutes (no input source detected and no commands issued) before the projector will automatically shut off.	0–60	10
Keystone	Vertical keystone adjustment. Stereo Mini 1 – VGA/Component Stereo Mini 2 – VGA2/Component RCA – S-Video/Component	-15–+15	0
Reset Lamp Hours	Reset lamp hour status indicator. <i>See Information Menu.</i>	N/A	N/A
Lamp Mode	Bright, Normal, ECO	N/A	Normal
Fan Mode	Normal, High	N/A	Normal
Projection Mode	1-Front Projection, 2-Rear Projection, 3-Front Ceiling, 4-Rear Ceiling	N/A	Front Projection
Factory Reset	Reset all menu items to FACTORY DEFAULT settings	N/A	N/A
Advanced	Select the Advanced Setup Menu.	N/A	N/A
Reset	Reset values in this menu only	N/A	N/A

### Advanced Setup Menu

The Advanced Setup Menu, shown below, is used to initiate the PIN code feature (turn On/Off) and set the PIN code.

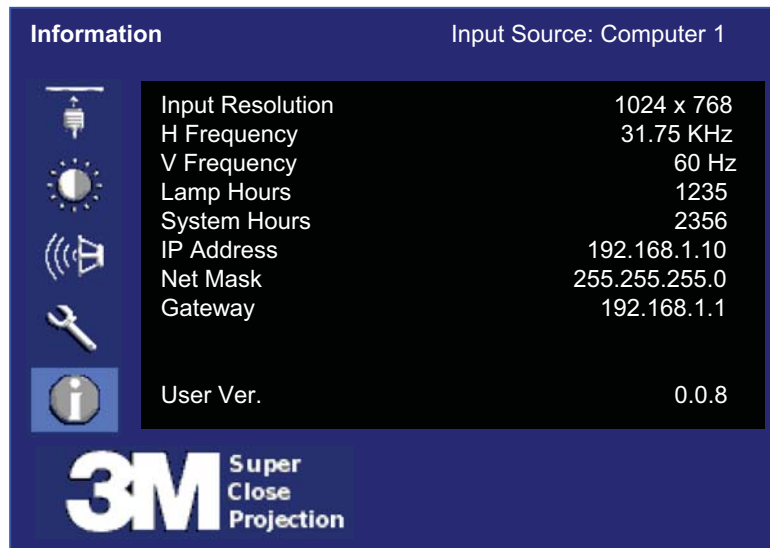
ENGLISH



Feature	Description	Range	Default
PIN Authentication	Turn the PIN code security feature On or Off.	N/A	Off
Set PIN code	Change the 4-digit PIN access code as desired. <i>Note: When PIN security is enabled, the PIN access code will automatically set to the default value 3349.</i>	0-9	3349
Network Control	Turns the network control function on and off. The network control feature allows a computer to open the control web page on I/O module and control the projector.  To view the control web page, connect the I/O module into the local area network and type the I/O module's IP address into the address bar of a web browser. (The IP address can be found in the projector's information menu. See the next page.) The control web page will display. A RS-232 and network control guide is available at <a href="http://www.mmm.com/meetings">www.mmm.com/meetings</a> in the Technical Documents section.	On/Off	On

## Information Menu

The Information Menu, shown below, is used to display current projector configuration settings.



Feature	Description
Input Resolution	Displays the current input Resolution
H Frequency	Displays the current input H-Frequency
V Frequency	Displays the current input V-Frequency
Lamp Hours	Displays the current lamp operating hours for the installed lamp
System Hours	Displays the current total system time accumulated
IP Address * (see note)	Displays the current IP Address for the I/O module Ethernet interface
Net Mask * (see note)	Displays the current Net Mask for the I/O module Ethernet interface
Gateway * (see note)	Displays the current gateway for the I/O module Ethernet interface
User Revision	Displays the current User Version

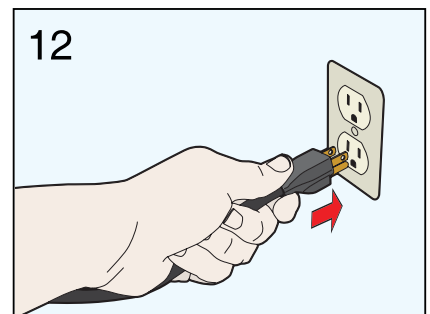
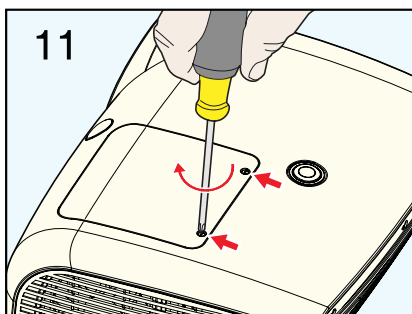
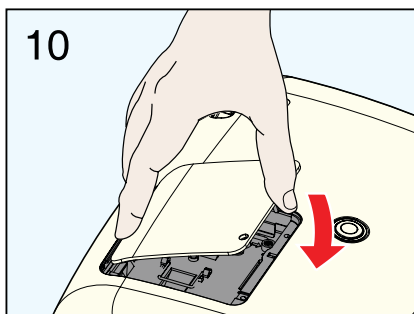
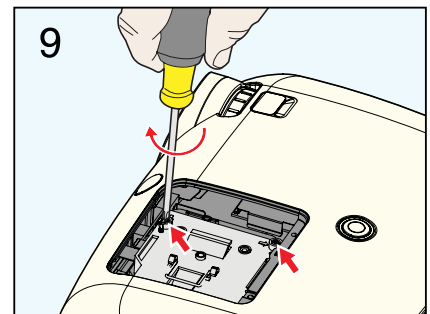
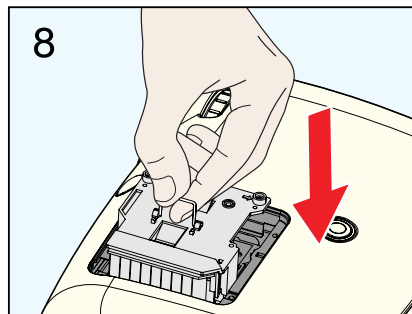
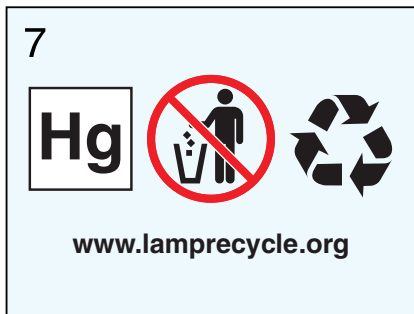
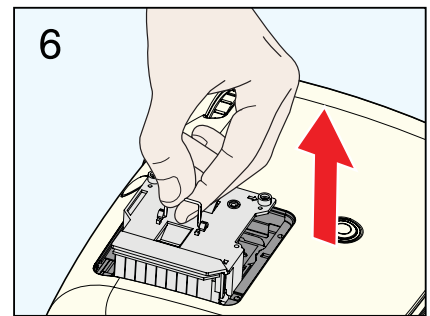
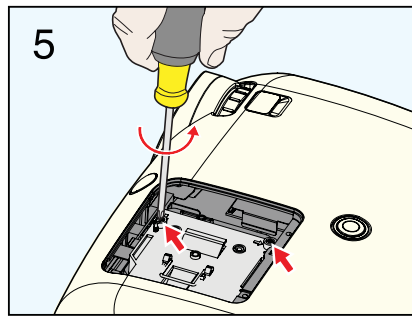
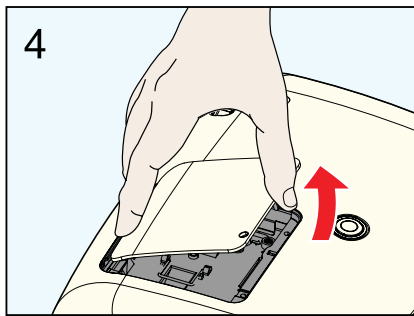
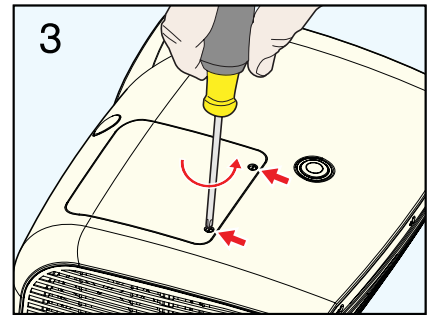
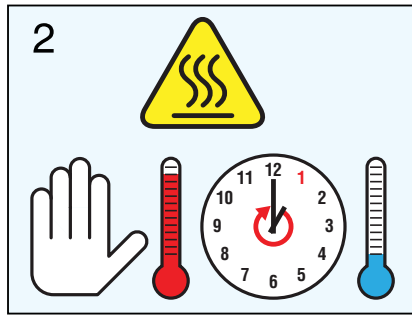
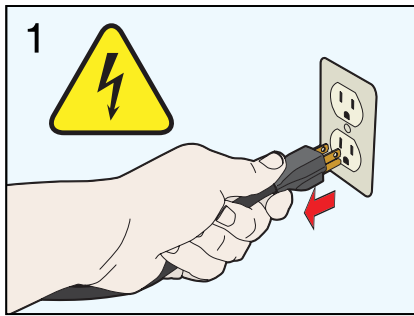
\* **Note:** This field displays only when the I/O Module is connected.

# Machine Specifications

Item	Specification
Acoustic Noise Level	Normal Mode: Typical 32 dB(A) ECO Mode: Typical 35 dB(A)
Auto Detect & Install	Automatically recognizes the connection of I/O module Automatically saves user adjustments
Computer Compatibility	Horizontal Sync: 69 kHz Vertical Sync: 85 Hz
Conditions for usage environment	Rel Humidity: 10-80% Altitude: 0-2286m Temperature: /10-35C (50-95F)
Dimensions	328.94 x 264.0 x 116.43 mm (13.2 x 10.6 x 4.7 inches)
DMD Native Resolution	1024H x 768V (XGA)
Focus	Manual Adjustment
Input / Output Terminals	VGA (mini D-sub 15-pin) connector Control connector USB (A-B) AC power outlet
Input rating	100-240V AC, 50-60 Hz, 4.0A
Lamp Life	3000 hrs at 300W Bright mode 5000 hrs at 180W ECO mode
Languages	English, French, Spanish, Deutsch, Italian, Japanese, Chinese Traditional, Chinese Simplified, Korean
Lens	Focal Length = 6.95 mm
Power Consumption	300W normal operation, 5W standby mode
Video Compatibility	NTSC: M, N, 3.58Mz, 4.43 MHz PAL: B, D, G, H, I, M, N SECAM
Wall/Ceiling Mount capability	Three screw holes
Weight	4.5kg (10 lbs)

**Note:** Designs and specifications are subject to change without notice.

### Lamp Replacement



ENGLISH

# Troubleshooting

## Common Problems and Solutions

Symptom	Cause	Solution
No power.	The power cord is disconnected.	Insert the power cord into AC socket.
No picture or sound.	The desired input source is not selected.	Press the remote control Input button to select a desired input source.
	The cables from the input source are not connected.	Connect the cable to correct input source.
	The input source is not turned on or not displaying an image. (e.g. If a notebook computer, the external monitor port is not turned on).	Turn on input source.
The lamp will not ignite or has turned off.	The internal temperature is too high.	Check exhaust for obstructions.
	The lamp has reached maximum life or has prematurely failed.	Replace lamp.
Sound is heard with no picture.	The VGA/Video cables are not connected.	Connect the cables to the correct input source.
	The VGA/Video/Audio cables are connected to the wrong input.	Change Input Menu to correct video input setting.
Picture is displayed with no sound	The audio cables are connected to the wrong input.	Connect the cables to the correct input source.
	Check the audio/video configuration.	Set proper configuration through the menu.
	The volume is set to Minimum.	Turn up Volume.
	The Mute is on.	Turn off Mute.
Picture is dark or dim.	The brightness setting is too low.	Adjust the brightness
	The lamp needs to be replaced.	Replace lamp.
Desired input source cannot be detected.	The input source is not active. A signal must be present for the input to be selected.	Connect an active input source to unit.
	The input device (e.g. computer, DVD player, etc.) is not turned on.	Turn on input source.
The remote control does not work.	The remote control is not facing the remote control sensor.	Face the remote control toward the remote control sensor.
	The remote control is too far from the sensor.	Operate the remote control within 5 meters.
	An obstruction is between the remote control and the sensor.	Remove obstacle.
	The remote control's batteries are exhausted or inserted wrong.	Correctly insert batteries.



## Projector Indicator Lights

Mode	Indicator Signal on Projector
Stand by	Orange LED (always ON)
Lamp Strike	Orange LED (Flashing)
Normal Operations	Green LED (always ON)
Fan Error	Red LED (One flash every second) ( • • • )
Thermal Error	Red LED (Two flashes every second) ( •• •• )
DDP2230 Error	Red LED (Four flashes every second) ( •••• •••• )
Cooling (Lock Out)	Red LED (Solid light)
Download Mode	Green LED (Fast flash), then both Green and Orange LEDs flash during download mode

## I/O Module Indicator Lights

Mode	Indicator Signals on I/O Model Box
Stand by	Orange LED (always ON)
Normal Operations	Green LED (always ON)
Cooling (Lock Out)	Red LED (Solid light)

# Replacement Parts and Accessories

## Replacement Parts

Name of Part	3M Part Number
VGA Cable, 1.8 m	78-8118-2338-1
Remote Control	78-8134-7200-4
USB Cable, 1.8 m	78-8118-9057-9
SCP716 Lamp Replacement	78-6969-9996-6

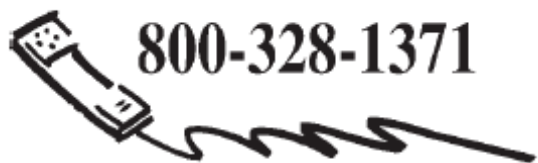
## Optional Accessories (not shown)

Name of Part	3M Part Number
3M Fixed Wall Mount SCPFXWV2	78-6969-9986-7
3M Folding Wall Mount SCPFWMV2	78-6969-9987-5
3M Folding Wall Mount with Speakers SCPWMSV2	78-6969-9988-3
3M I/O Module	78-6969-9984-2
RS232 Adapter for projector control without the I/O Module	78-6969-9934-7
3M Security Kit	78-6969-9961-0
Wall Mount Bracket for Block and Stud Walls	78-6969-9962-8
VGA Cable, 3.5 m (11.5 ft)	78-8134-7217-8
USB Cable, 3.5 m (11.5 ft)	78-8134-7219-4
Control Cable 15 pin DB, 3.5 m (11.5 ft)	788134-7218-6



**Important Notice**

All statements, technical information, and recommendations related to 3M's products are based on information believed to be reliable, but the accuracy or completeness is not guaranteed. Before using this product, you must evaluate it and determine if it is suitable for your intended application. You assume all risks and liability associated with such use. Any statements related to the product which are not contained in 3M's current publications, or any contrary statements contained on your purchase order shall have no force or effect unless expressly set forth in a written agreement signed by an authorized officer of 3M.

**Technical Support Contact:****800-328-1371****<http://www.3m.com/meetings>  
e-mail: [meetings@mmm.com](mailto:meetings@mmm.com)****3M Austin Center**

Building A145-5N-01  
6801 River Place Blvd.  
Austin, TX 78726-9000

**3M Canada**

P.O. box 5757  
London, Ontario  
N6A 4T1

**3M Mexico, S.a. de C.V.**

Apartado Postal 14-139  
Mexico, D.F. 07000  
Mexico

**3M Europe**

Boulevard de l'Oise  
95006 Cerge Pontoise Cedex  
France

*Please recycle.*

Litho in USA  
© 3M 2009  
78-6971-1452-4 Rev. B